

# INSTALLATION INSTRUCTIONS

**FOR CERAMIN-BASED FLOOR COVERINGS WITH AN  
EASYLOC LOCKING SYSTEM**

DE / REV. 6.1 / 05.25

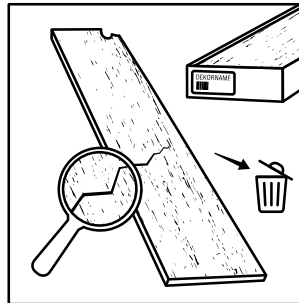
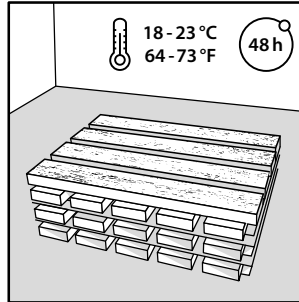
## 1. PREPARATION / STORAGE

### Acclimatisation:

Allow the floor covering to acclimatise under residential conditions (min. 18 °C) for at least 48 hours prior to installation. Leave the floorboards packed during this time and store the individual packs in a cross-stack.

### Inspection of the products:

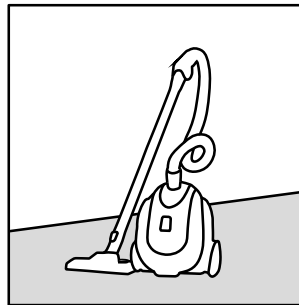
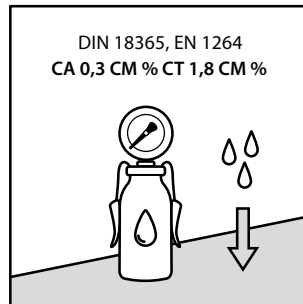
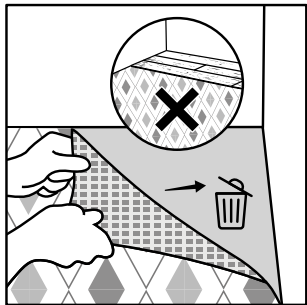
Please check the goods for damage and obvious defects prior to installation. Do not install floorboards that are already damaged prior to installation. It is recommended that you install the floor covering in daylight or good lighting; otherwise, there is a risk that defects will not be detected. In the event of a subsequent complaint, no refund can be provided for panels that are installed despite an obvious defect.



## 2. SUBSURFACE CONDITION

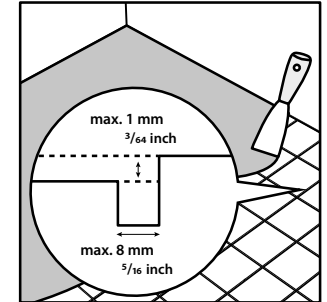
Existing old coverings such as carpet, needle felt or PVC floor coverings must be removed completely. The subsurface must be solid, clean, level and dry (ready for installation according to DIN 18365, DIN 18202).

The moisture content of the subsurfaces is to be checked and must not exceed 1.8 CM-% for cement screed and 0.3 CM-% for anhydrite screed or anhydrite flowing screed.



The evenness of the subsurface is of particular importance. Compensation must be provided for the following:

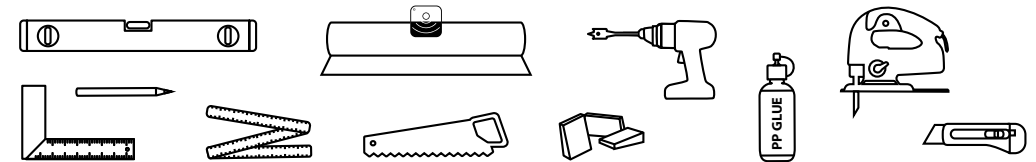
- Height differences of more than 2 mm/m
- Offsets between adjacent surfaces
- For tiled subfloors, offsets between the individual elements (tile edges) of more than 1 mm along with joint widths exceeding 8 mm.



For subfloors made of wood or wood-based materials, ensure that the subfloor is level, vibration-free, dry, free of mould and insect infestation and sufficiently ventilated. The moisture content must not exceed 10%. If necessary, apply a suitable levelling compound as a preparation for a perfect subfloor.

For subfloors that border on the ground, ensure that there is sufficient waterproofing on site.

## 3. INSTALLATION MATERIAL AND TOOLS



- Impact sound underlay max. 1.5 mm construction height and min. CS value 400 kPa, min. CC-Value 35 kPa
- Floor/transition profiles at room transitions (if required), end rails
- Folding rule / tape measure
- Pencil
- Square
- Sliding level
- Cutter knife
- Saw
- Spacer wedges (10 mm)
- Spirit level
- Straight edge
- Optional: Drilling machine and drill, mitre saw, hacksaw, handsaw

## 4. INSTALLATION UNDERLAY / IMPACT SOUND INSULATION

An installation underlay influences important properties of the floor covering, particularly the sound transmission and thermal conductivity, as well as the service life of the floor covering. The installation underlay must not exceed a maximum thickness of 1.5 mm. We recommend the use of the higher requirements of the MMFA (Multilayer Modular Flooring Association) with a compressive strength (CS value) of min. 400 kPa (= 40 t/m<sup>2</sup>). In addition, the installation underlay should have a CC-Value of 35 kPa. We recommend the use of the NeoLay underlay.

**ATTENTION!** For products with an impact sound underlay that is already integrated, no additional installation underlays may be used.

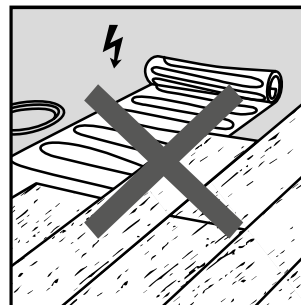
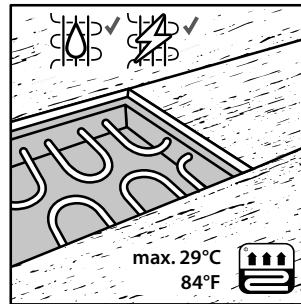
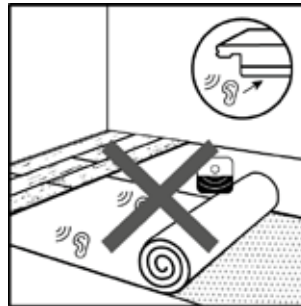
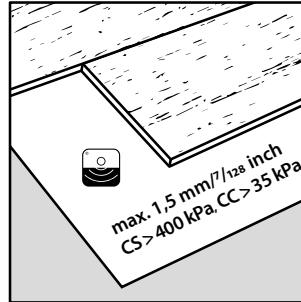
## 5. INSTALLATION ON UNDERFLOOR HEATING

The floor covering can be installed on underfloor heating systems (hot water and electric) without any problems if they are firmly installed in the screed and a surface temperature of 29 °C is not exceeded. A combination with heating foils, which are loosely laid / installed on the screed, is not permitted.

When installing on underfloor heating systems, the total thermal resistance of the floor covering and impact sound insulation must not exceed an R-value of 0.15 m<sup>2</sup>K/W.

The impact sound insulation underlay to be used must always be suitable for use on a heated subfloor.

In principle, prior to installation, the heating engineer must carry out and document a functional and occupancy test in accordance with the regulations (further technical information can be found here: "Interface coordination for heated floor structures" at [www.flaechenheizung.de](http://www.flaechenheizung.de)). For underfloor cooling systems, the R-value (thermal resistance) must be less than 0.10 m<sup>2</sup>K/W and the formation of condensation must be prevented by a suitable control / automatic shut-off system.



## 6. INSTALLATION

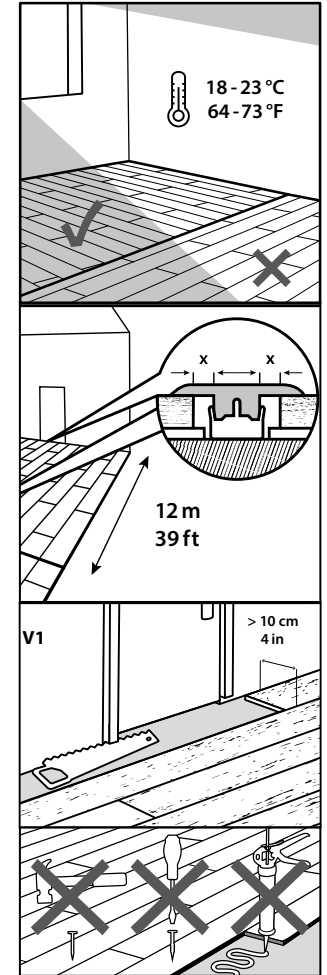
The floor covering is intended for use in residential conditions. As a rule, the floor covering is to be installed in the longitudinal direction to the main light source.

Movement joints of 10 mm must be maintained at transitions to other rooms and to all fixed components.

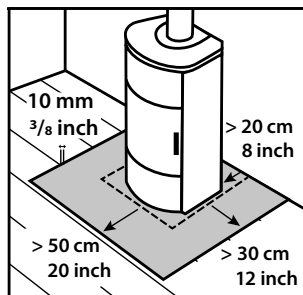
Additional expansion joints are to be provided for installation dimensions of more than 12 m. Additional expansion joints of 10 mm are to be provided at:

- All rising components
- On-site boundaries
- Around fixed objects, such as kitchen units, fireplaces, ovens and doorsteps
- Between individual rooms
- At the transition between two different floor coverings
- In rooms with complex floor plans

**ATTENTION!** Floors to be installed in a floating manner must never be firmly connected to the subfloor!



Around fireplaces, the floor must be protected from falling embers. For this purpose, ensure a gap of 50 cm to the front and 30 cm to the side of the fire chamber. This area must be decoupled from the rest of the floor surface by means of a movement joint (10 mm) (see tip on floor construction under fireplaces).

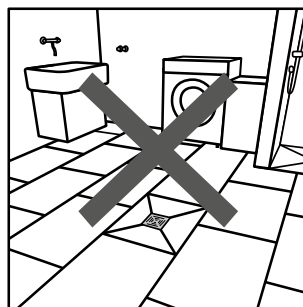


#### Installation in wet areas:

This design floor is waterproof and therefore suitable for use in damp areas. However, leaks may occur in the area of the joints. Therefore, in any case, make sure that the subfloor is suitable for wet and sanitary areas and is sealed against moisture penetration.

The expansion joints are filled by means of inserted PE round cord and silicone joint placed thereon, in order to maintain the possibility of movement of the floor.

The design floor is intended for use in a normal residential climate. This is not suitable for outdoor use and garden sheds, or for installation in shower cubicles, wet areas with floor drains or saunas.



## 7. STEP-BY-STEP INSTALLATION

**NOTE!** Start the installation on the side of the room where the door is located, so that the installation of the last row ends at a free wall.

Prior to the commencement of installation, the room should be cleaned and the width of the room should be measured. The minimum width of the elements of the first and last row should be at least 10 cm. If cutting is necessary, shorten the elements of the first row on the tongue side and the elements of the last row on the groove side.

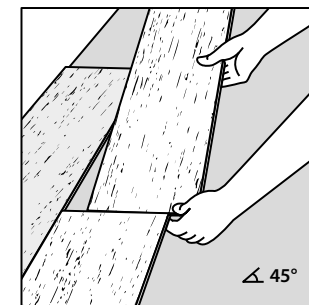
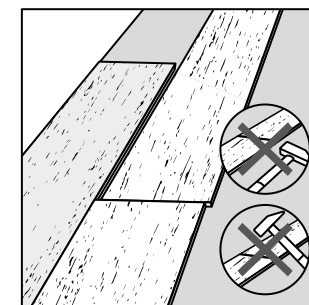
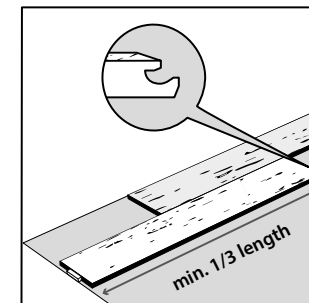
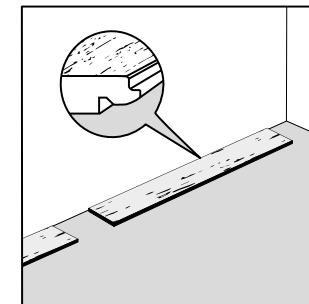
A hammer is not necessary for installation. Never hit the elements together with a hammer, since this can irreparably damage the connections! Never hit the elements together with a hammer, since this can irreparably damage the connections!

First install the impact sound insulation underlay before installing the first element. Make sure that the individual strips of the impact sound insulation underlay are laid flush against each other, but do not overlap.

#### Installation of the first row:

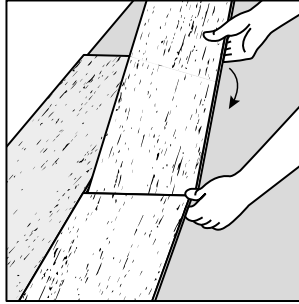
When installing the first element, the tongue side must face the wall. Please note the expansion joint of 10 mm. Installation always takes place from left to right. Align the first element accordingly.

Now insert the tongue on the head side of the second element into the groove of the first element, at an angle of approximately 30°. Be sure to insert the tongue into the groove of the first element over its entire length. Lock the two elements by lowering the second element.



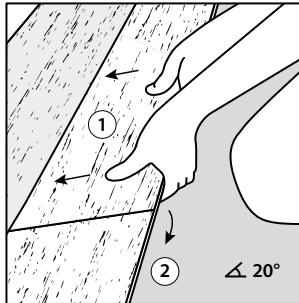
Mark the required length of the last floorboard of each row. For this purpose, use a square or, if not exactly perpendicular to the wall, a sliding level. Then score the element with the cutter knife two or three times on the decor side along the marking. At that point, break the element over a straight edge (table edge or the like), and pull the two parts apart downwards at the resulting predetermined breaking point (decor side facing upwards).

Insert the trimmed element into the row as described before.



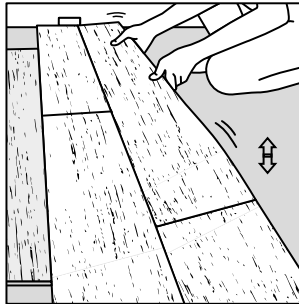
**Installation of the second row and the following rows:**

You should always install a subsequent row with an offset to the previous row. This offset must be at least 1/3 of the length of an element, for floorboards approximately 40 cm, for tiles, approximately 20 cm. Insert the first element of the new row again at a tilt angle of approximately 30° into the longitudinal groove of the front row that is already set, and lower it. Then lift the horizontal floor element slightly at its free corner (right element head side) with your left hand, so that it is slightly “twisted” (torqued) in its longitudinal direction.



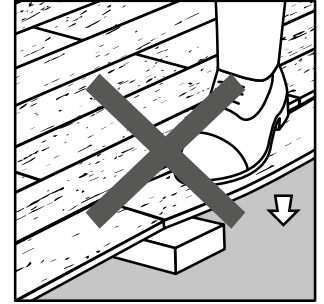
Do not place the next element flush with the longitudinal edge as in the first row; rather, place it with a gap to the floor element that is already set of approximately 1/4 of the head side length. Your left hand should remain under the slightly raised element.

Now push the newly placed floor element in a slightly tilted position towards the installed front row, until you can place it on the lower groove cheek of the first row, simply guiding and pushing the head joint with your thumb. Now tilt both elements of the second row slightly once again, and insert the last attached panel completely into the groove of the first row. Try to keep your arms “close to your body”; otherwise, the element can easily tilt. At that point, you need only to lower the element and lock it.

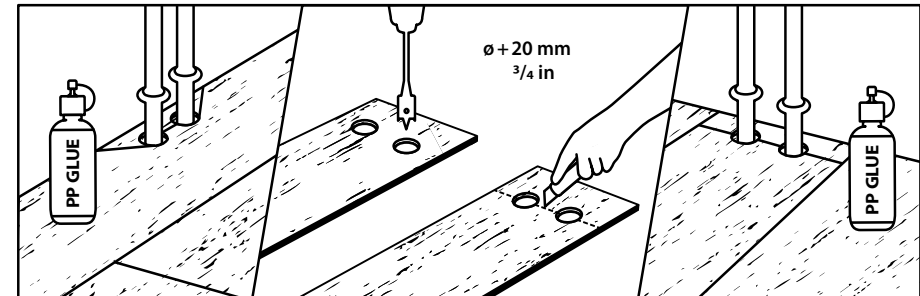
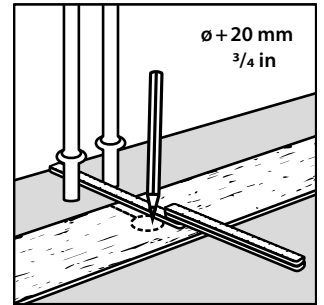


If necessary, it is helpful if you lower the longitudinal edge by moving the entire row slightly up and down (tilt movement). Cut the last element of the row as already described and insert it into the rows.

You can install all the following rows in this manner. With the help of spacer wedges, you can easily comply with the movement joints of 10 mm. Avoid the hollow position of elements, as this may cause damage to them

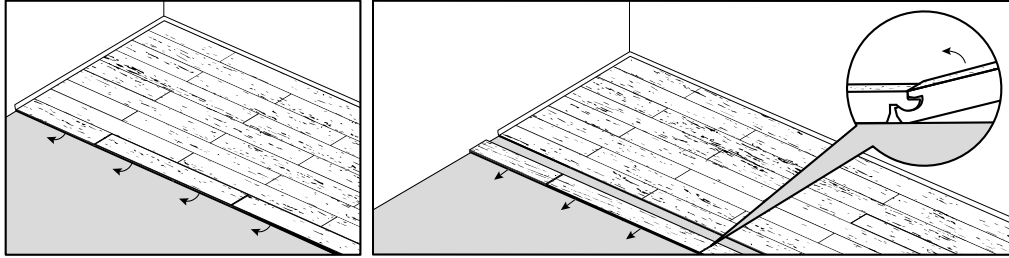


**ATTENTION!** An expansion joint of 10 mm must be maintained to pipes and all other objects rising on site. When installing boards around pipelines, cut the holes approximately 20 mm larger than the diameter of the pipe. Then cut through the centre of the holes and use a glue that is suitable for PP to put the pieces back together.



### Disassembling the elements:

Before disassembling the floor, first lift the whole row from the hinge joint on the longitudinal edge. Only then should you take the individual elements apart, by angling the head connections by approximately 30°. Do not lift the head connection in the process! This leads to irreparable damage. Only a disassembly that is correct and damage-free ensures that the floor can be installed several times.

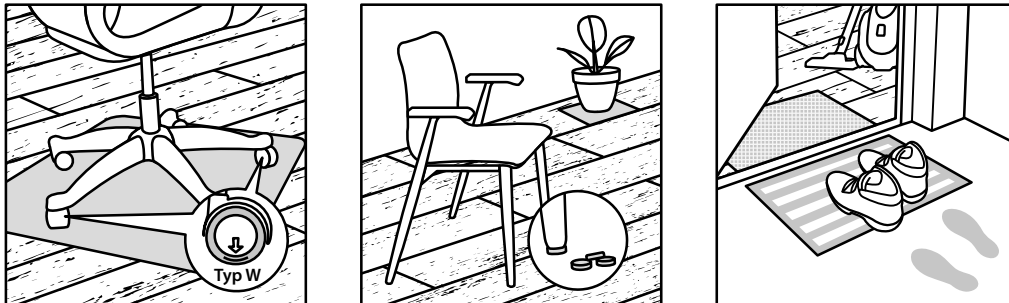


## 8. GENERAL NOTES

### Preservation of value:

You can prevent scratches and extend the service life of your floor by using felt glides under any chair, table and furniture legs, suitable dirt traps and clean-up zones (textile mats, etc.) and suitable office chair pads. Always use W-type chair casters. Interactions with other materials (e.g., discolourations under floor mats or carpets) cannot be ruled out and cannot constitute grounds for a complaint. Therefore, if possible, check the compatibility of the supports in advance.

Do not place wet plant pots or the like directly on the ground; always use suitable underlays.



### Cleaning:

The floor covering is supplied in ready-to-install condition and with a sealed surface. Therefore, the floor must never be sanded or treated with varnish or solvents.

Do not use cleaning agents that contain abrasive or film-forming substances. It is best to clean the floor only with clear water, to which a small amount of neutral soap is added. Stubborn stains can be removed with undiluted PU cleaner in combination with a cloth or a non-scratch pad.

Follow the instructions in the cleaning and care recommendations at [www.classengroup.com/de/startseite/downloads/](http://www.classengroup.com/de/startseite/downloads/)



### Disposal:

Residential: Via normal household/bulky waste

Commercial: Waste code no: AVV 17 02 03

## 9. WARRANTY

To protect your warranty and guarantee claims, please be sure to keep a copy of these Installation Instructions together with the proof of purchase of your floor. It is also helpful if you document the label on the front or the production code printed on the back. This can be used to determine the production data later if required.

For the warranty conditions, please refer to our website at

[www.classengroup.com/de/startseite/downloads/](http://www.classengroup.com/de/startseite/downloads/)

## DISCLAIMER

These installation instructions have been prepared to the best of our knowledge and with particular care. The details are based on practical experience and our own tests and corresponds to our current state of knowledge at the time of publication. They are for informational purposes only and do not constitute a guarantee of product characteristics or suitability for specific purposes. We assume no liability for any printing errors, errors in standards or other mistakes. In addition, the continuous development of the products we manufacture and changes to standards and documents of public law may result in technical changes at any time. However, we cannot guarantee the installation result in each case due to the large number of possible applications (a complete list of which would be impossible) and because the conditions of storage, installation and construction sites are beyond our control.

The publication of this edition renders all previous editions invalid. Please check for any updates to these instructions prior to use at [www.classengroup.com](http://www.classengroup.com)

If you have any questions about the product or processing, please contact our technical customer service hotline: **0800 1133313**.

If you have any questions regarding the suitability of third-party adhesives, please contact the adhesive manufacturer's customer service.



CLASSEN Holz Kontor GmbH  
Werner-von-Siemens- Str. 18–20  
DE 56759 Kaisersesch  
[www.classengroup.com](http://www.classengroup.com)  
[info@classen.de](mailto:info@classen.de)

**Intellectual  
Property Rights:**

