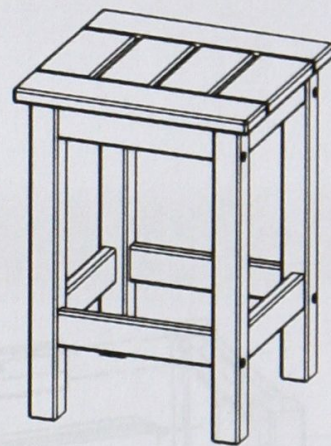

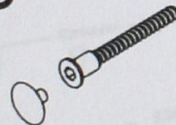

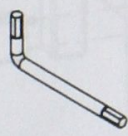


6 Kg
39 x 52 x H 46 cm

**Hocker
ANTON
Art. Nr. 3700
340x340x460**



A  Ø8x35 mm 8x	B  Ø6.5x70 mm 8x	C  Ø3.5x35 mm 8x	D  1x
---	---	---	---

