

**DE Voraussetzungen & Hinweise**

- Der sichere Stand des Fahrzeugs muss zu jedem Zeitpunkt gewährleistet sein; wenn nötig, ist das Fahrzeug mittels Spanngurten zu fixieren.
- Für die Montage werden zwei Personen benötigt.

**EN Requirements & Advice**

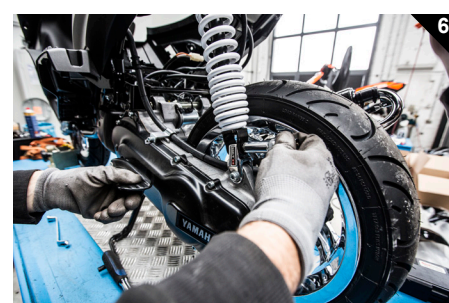
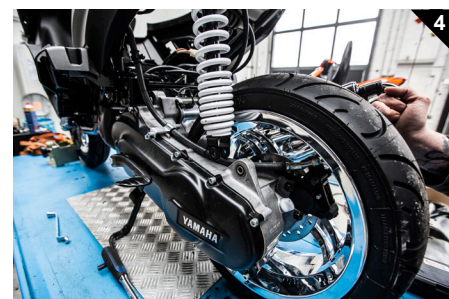
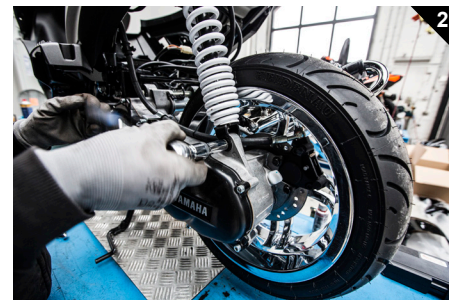
- Please always ensure that the scooter is supported securely in an upright position; if necessary, it will have to be secured via tie-down straps.
- In order to mount the riser, two people are necessary.



**Test Report No.:**  
 15-TAAS-0400/SRA  
**Technical Service by:**  
 TÜV Austria Automotive GmbH  
**Parts Manufacturer:**  
 Maxiscoot GmbH

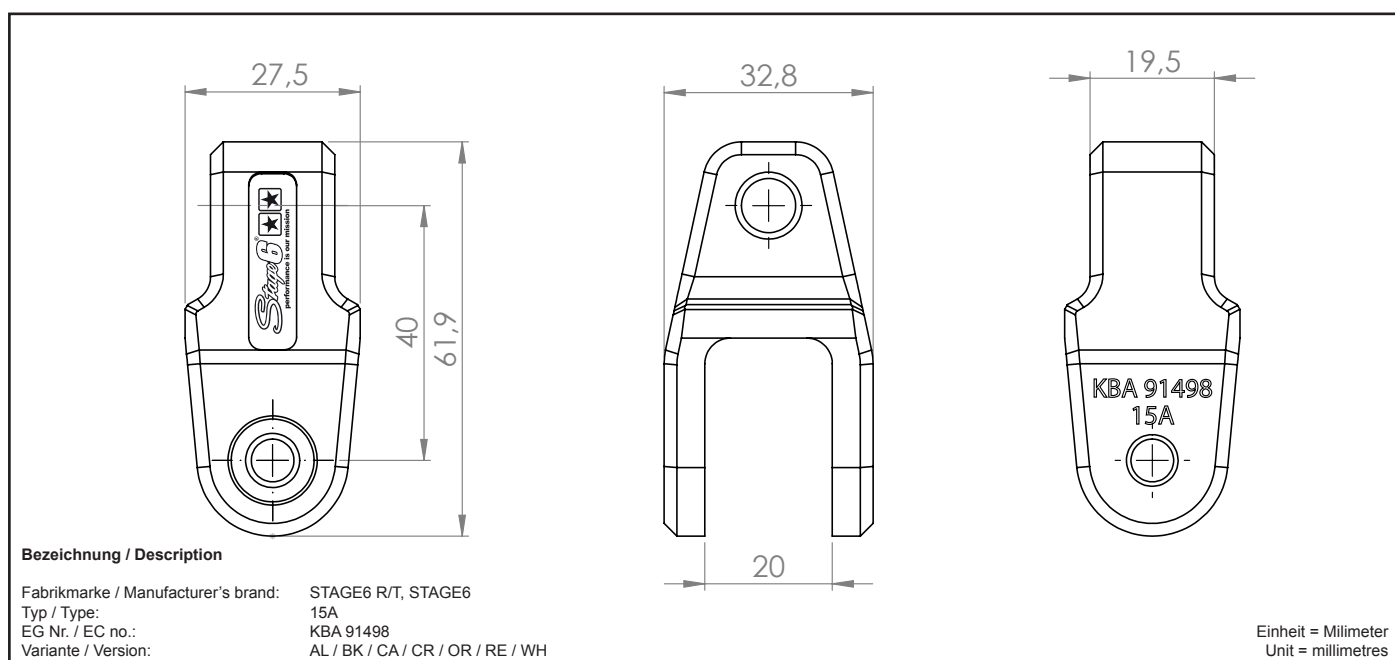
**DE Montagehinweis**

1. Fahrzeug auf den Hauptständer aufbocken, wenn nötig mittels Spanngurten sichern.
2. Lösen der unteren Federbeinaufnahme.
3. Entlastung des Stoßdämpfers durch Anheben des Motorgehäuses.
4. Entfernen der M8-Schraube. Herablassen des Motors und Abstellen des Motors auf das Hinterrad.
5. Montage der Heckhöherlegung mittels M8x35-mm-Schraube an der Federbeinaufnahme des Motorgehäuses.  
Anzugsdrehmoment: 19–22 Nm
6. Montage des Stoßdämpfers auf der Heckhöherlegung erfolgt mit der Original-Schraube.  
Anzugsdrehmoment: 22–25 Nm



**EN Installation**

1. Support the scooter using the centre stand and secure it with tie-down straps if necessary.
2. Loosen the bolt in the lower shock absorber mount.
3. Take the weight off the shock absorber by supporting the engine case.
4. Withdraw the M8 bolt. Lower the engine case and rest it on the rear wheel.
5. Using the M8 x 35mm bolt, mount the riser to the shock absorber mount of the engine case. Torque: 19–22Nm
6. Mount the shock absorber to the riser via the original bolt. Torque: 22–25Nm



Hersteller-Klartext / Manufacturer Plaintext	Amtl. Klartext TYP / Official Plaintext TYPE	Handelsname / Commercial Name	Genehmigungsnummer / Approval Number
APRILIA (I)	LB	SR 50	G792
APRILIA (I)	MR	SR 50	G793
APRILIA (I)	MS	SCARABEO	G795
APRILIA (I)	HV	AMICO GL	G798
APRILIA (I)	GC	AMICO	G799
APRILIA (I)	MD 01	RALLY	H062
APRILIA (I)	LH 02	GULLIVER 50	H126
APRILIA (I)	MK	AMICO	H355
APRILIA (I)	LC	SR 50 WATERCOOLED	H410
APRILIA (I)	LH	GULLIVER 50	H126
APRILIA (I)	MD	RALLY	H062
APRILIA (I)	MZ	SR 50 WATERCOOLED	H638
APRILIA (I)	LY	SR 50 AIRCOOLED	H639
APRILIA (I)	PF	SCARABEO	G795
APRILIA (I)	PB	SONIC	K002
APRILIA (I)	PB	SONIC	K002
APRILIA (I)	RL	SR 50	e3*92/61*0012*00
APRILIA (I)	RL	SR 50	e3*92/61*0012*03
APRILIA (I)	RL	SR 50	e3*92/61*0012*03
APRILIA (I)	PK	HABANA	e11*92/61*00001*05
APRILIA (I)	TG	SCARABEO 50 4T	e11*2000/7*00071*00
APRILIA (I)	TL	SONIC 50	e11*92/61*0078*00
APRILIA (I)	TL	SONIC 50	e11*92/61*0078*01
APRILIA (I)	TH	SCARABEO 50	e11*92/61*0079*02
APRILIA (I)	TL	SONIC 50	e11*92/61*0078*02
APRILIA (I)	TM	RALLY 50	e11*92/61*0084*01
BENELLI (I)	BA01	491 RACING,GP-RR,SPORT,A	K262
BENELLI (I)	BA03	PEPE	K473
BETAMOTOR (I)	KTM GO 50	KTM GO 50,CHRONO,502,CROS	G812
BETAMOTOR (I)	BS	EIKON 50,ARK 50 AC	K529
BETAMOTOR (I)	BS	ARK 50 LC	K529
BETAMOTOR (I)	BS 4	ARK AQUA	e1-92/61-00114/01
BETAMOTOR (I)	BS 4	ARK ARIA	e1-92/61-00114/01
BETAMOTOR (I)	BS 5	EIKON 50	e1-92/61-00115/00
BETAMOTOR (I)	BS 5	EIKON 50	e1-92/61-00115/01
C.P.I. MOTOR (RC)	JP	MOSKITO II,MARS	K525
C.P.I. MOTOR (RC)	FB 50	MOSKITO	K526
HER CHEE (RC)	AT 50 JT	JET,CAT 50,THUNDERBIKE TB	K072
HER CHEE (RC)	KM50-1	STORM	K139
HER CHEE (RC)	KM50-2	TAIFUN	K140
HER CHEE (RC)	KM50-3	BLIZZARD	K141
Jinan Qingqi (RC)	QM50QT-6	FB50QT-6A	e4*2002/24*0368*12
KWANG YANG (RC)	K12	K12	H452
KWANG YANG (RC)	GR1	DJ 50,EMR 50	H112
KWANG YANG (RC)	KCP	CURIO 50	H113
KWANG YANG (RC)	KCA	KYMCO FEVER 50,METEROITZX	H114
KWANG YANG (RC)	KCZ	HEROISM,CALYPSO 50	H124
KWANG YANG (RC)	K12	K12,SCOUT,KB50,FEVER ZX50	H452
KWANG YANG (RC)	SF-10	COBRA	H938
KWANG YANG (RC)	SF-10	KYMCO SPACER 50,YAGER50	K005
KWANG YANG (RC)	KB	METEORIT KB 50 EDITION,KB	K059
KWANG YANG (RC)	SD10	KYMCO FILLY 50	K472
KWANG YANG (RC)	SD	KYMCO FILLY 50	e1-92/61-00045/00
KWANG YANG (RC)	B1	KYMCO PEOPLE 50	e4*92/61*0013*05

Hersteller-Klartext / Manufacturer Plaintext	Amtl. Klartext TYP / Official Plaintext TYPE	Handelsname / Commercial Name	Genehmigungsnummer / Approval Number
KWANG YANG (RC)	SC10AS	KYMCO FEVER 12	e1-92/61-00080/00
KWANG YANG (RC)	S6	KYMCO YUP 50	e4*92/61*0112*00
KWANG YANG (RC)	S1	KYMCO SUPER 9	e4*92/61*0074*03
KWANG YANG (RC)	S1	KYMCO SUPER 9	e4*92/61*0074*03
KWANG YANG (RC)	S8	KYMCO DINK 50	e4*92/61*0126*00
KWANG YANG (RC)	B1	KYMCO PEOPLE 50	e4*92/61*0013*05
KWANG YANG (RC)	SF	KYMCO TOP BOY 50	e4*92/61*0103*03
KWANG YANG (RC)	SC10AS	KYMCO	e1-92/61-00080/04
KWANG YANG (RC)	S6	KYMCO YUP 50	e4*92/61*0112*04
KWANG YANG (RC)	SC10AS	KYMCO	e1-92/61-00080/06
MALAGUTI (I)	44	F15 FIRE FOX	H817
MALAGUTI (I)	ZJM 40/D	F12 PHANTOM	H875
MALAGUTI (I)	ZJM 41	F12 PHANTOM	H876
MALAGUTI (I)	45	YESTERDAY	H969
MALAGUTI (I)	ZJM 39/D	F 10 JET LINE	H970
MALAGUTI (I)	ZJM 42/D	CENTRO SL	H971
MALAGUTI (I)	ZJM 43	CROSSER	H972
MALAGUTI (I)	52	CIAK	K503
MALAGUTI (I)	46	F 12 PHANTOM 50 AC	e3*92/61*0025*
MALAGUTI (I)	48	F 10 JETLINE	e3*92/61*0038*
MALAGUTI (I)	52	CIAK 50	e3*92/61*0028*00
MALAGUTI (I)	44	F 15 FIREFOX	e3*92/61*0037*
MALAGUTI (I)	47	F12 L/C	e3*92/61*0026*00
MALAGUTI (I)	73	FIREFOX F15	e3*2002/24*0276*00
MBK (F)	5BR	YQ50	H949
MBK (F)	4FW	ZEST, YE 50	G392
MBK (F)	4VA	CW 50 RS, RSP, RSX	H268
MBK (F)	SA05	CW 50 RS	K417
MBK (F)	SA03	YH 50	K423
MBK (F)	SA09	MBK, YAMAHA EW 50	e13*92/61*0017*00
MBK (F)	SA06	YAMAHA, MBK	e13*92/61*0024*00
MBK (F)	SA14	YH50	e13*92/61*0036*00
MBK (F)	SA03	YH50	e13*92/61*0037*00
MBK (F)	SA09	SA09	e13*92/61*0017*
MBK (F)	SA05	CW 50 RS	e13*92/61*0029*03
MBK (F)	SA14	YH50	e13*92/61*0036*02
MBK (F)	SA03	YH50	13*92/61*0037*02
MBK (F)	SA23	SA23	e13*92/61*0079*00
MBK (F)	SA03	YH50	e13*92/61*0037*04
MBK (F)	SA03	YH50	e13*92/61*0037*04
MBK (F)	SA14	YH50	e13*92/61*0036*06
MBK (F)	SA14	YH50	e13*92/61*0036*06
Ningbo Longjia (RC)	LJ50QT-K	EXACTLY, BS50 Sting, VERSUS	e4*2002/24*1375*01
Ningbo Longjia (RC)	LJ50QT-F	Alien 50; BS Sting; VERSUS	e4*2002/24*0610*02
Ningbo Longjia (RC)	LJ50QT-F	Alien 50; BS50Sting; VERSUS	e4*2002/24*0610*02
PEUGEOT MOTOCYCL.(F)	B2	LOOXOR 50	e2*92/61*0015*05
PEUGEOT MOTOCYCL.(F)	B2	LOOXOR 50	e2*92/61*0015*05
PEUGEOT MOTOCYCL.(F)	L2	LUDIX	e1*92/61*0220*00
PEUGEOT MOTOCYCL.(F)	H2	ELYSTAR	e1*92/61*0155*03
PEUGEOT MOTOCYCL.(F)	F 052-DE	PEUGEOT SV 50-DE, HERCULES	G282
PEUGEOT MOTOCYCL.(F)	FE 052 A DE	PEUGEOT ZENITHHERCULES LI	G807
PEUGEOT MOTOCYCL.(F)	FE 053 DE	PEUGEOT BUXY, SPEED-	G886
PEUGEOT MOTOCYCL.(F)	FE 052 DE	PEUGEOT, SACHSZENITH, L, LIM	H427
PEUGEOT MOTOCYCL.(F)	S 1 A DE	TREKKER	H439

Hersteller-Klartext / Manufacturer Plaintext	Amtl. Klartext TYP / Official Plaintext TYPE	Handelsname / Commercial Name	Genehmigungsnummer / Approval Number
PEUGEOT MOTOCYCL.(F)	FE 053 DE	PEUGEOT BUXY,SPEED-	G886
PEUGEOT MOTOCYCL.(F)	S 1 B DE	PEUGEOT SPEEDFIGHT	H645
PEUGEOT MOTOCYCL.(F)	S 1 B DE	PEUGEOT SPEEDFIGHT	H645
PEUGEOT MOTOCYCL.(F)	S 1 A DE	TKR	H439
PEUGEOT MOTOCYCL.(F)	G 1 A	ELYSEO 50	K229
PEUGEOT MOTOCYCL.(F)	S1C	VIVACITY 50CC	e2*92/61*0009*
PEUGEOT MOTOCYCL.(F)	S1CAK	VIVACITY MOFA	K380
PEUGEOT MOTOCYCL.(F)	B1	LOOXOR 50	e2*92/61*0014*05
PEUGEOT MOTOCYCL.(F)	S1B	SPEEDFIGHT 50	e2*92/61*0006*00
PEUGEOT MOTOCYCL.(F)	G1A	STAR 50 INJ;IAE	e2*92/61*0007*
PEUGEOT MOTOCYCL.(F)	S1A	TREKKER 50	e2*92/61*0008*00
PEUGEOT MOTOCYCL.(F)	S1B	SPEEDFIGHT 50	e2*92/61*0006*00
PEUGEOT MOTOCYCL.(F)	B1	LOOXOR S0	e2*92/61*0014*05
PEUGEOT MOTOCYCL.(F)	S1	TREKKER,SPEEDFIGHT,VIVA-C	e2*92/61*0027*00
PEUGEOT MOTOCYCL.(F)	S1	TREKKER,SPEEDFIGHT,VIVA-C	e2*92/61*0027*00
PEUGEOT MOTOCYCL.(F)	S1	TREKKER,SPEEDFIGHT,VIVA-C	e2*92/61*0027*00
PEUGEOT MOTOCYCL.(F)	S1C	VIVACITY 50CC	e2*92/61*0009*
PEUGEOT MOTOCYCL.(F)	L1	LUDIX	e2*2002/24*0006*00
PEUGEOT MOTOCYCL.(F)	L1	LUDIX	e2*2002/24*0006
PEUGEOT MOTOCYCL.(F)	L1	LUDIX	e2*2002/24*0006*08
PEUGEOT MOTOCYCL.(F)	L1	LUDIX	e2*2002/24*0006*08
PEUGEOT MOTOCYCL.(F)	L1	LUDIX	e2*2002/24*0006*08
PEUGEOT MOTOCYCL.(F)	S2A	SPEEDFIGHT;TREKKER;VIVACI	e2*92/61*0010*05
PEUGEOT MOTOCYCL.(F)	B2	LOOXOR	e2*92/61*0015*07
PEUGEOT MOTOCYCL.(F)	B2	LOOXOR	e2*92/61*0015*07
PEUGEOT MOTOCYCL.(F)	B2	LOOXOR	e2*92/61*0015*07
PEUGEOT MOTOCYCL.(F)	S1C	VIVACITY	e2*92/61*0009*09
PEUGEOT MOTOCYCL.(F)	S1C	VIVACITY	e2*92/61*0009*09
PEUGEOT MOTOCYCL.(F)	S1	TKR,SPEEDFIGHT,VIVACITY	e2*92/61*0027*06
PEUGEOT MOTOCYCL.(F)	S1	TKR,SPEEDFIGHT,VIVACITY	e2*92/61*0027*06
PEUGEOT MOTOCYCL.(F)	V1	VIVACITY	e2*2002/24*0036*02
PEUGEOT MOTOCYCL.(F)	V1	VIVACITY	e2*2002/24*0036*02
PEUGEOT MOTOCYCL.(F)	G1A	ELYSTAR	e2*92/61*0007*07
PEUGEOT MOTOCYCL.(F)	F1	SPEEDFIGHT	e2*2002/24*0037*01
PEUGEOT MOTOCYCL.(F)	F1	SPEEDFIGHT	e2*2002/24*0037*01
PEUGEOT MOTOCYCL.(F)	F1	SPEEDFIGHT	e2*2002/24*0037*01
UNIVERSAL (RC)	KM50-4	KARCHER KM50-4HURRICAN	K422
UNIVERSAL (RC)	KM25-4	KARCHER KM25-4HURRICAN	K499
YAMAHA (E)	3UG	YA 50 R	H277
YAMAHA (E)	5AK	YA 50 R	H613
YAMAHA (E)	5AD	YN 50	H744
YAMAHA (E)	SA22	CS 50	e9*92/61*0079*02
YAMAHA (E)	SA22	CS 50Z	e9*92/61*0079*02
YAMAHA (E)	SA21	SA21	e9*92/61*0097*00
YAMAHA (E)	SA22	CS 50M	e9*92/61*0079*03
YAMAHA (E)	AAE	YN50	e9*2002/24*0170*00
YAMAHA (E)	SA34	YN50M	e9*2002/24*0170*00
YAMAHA (E)	SA22	CS50	e9*92/61*0079*13
YAMAHA (E)	SA22	CS50Z	e9*92/61*0079*13
YAMAHA (E)	SA22	CS50M	e9*92/61*0079*13
YAMAHA (E)	SA40	YN50F;YN50FU;YN50FT	e9*2002/24*0278*00