

Assembly/operating instructions for linovum pathway light BOSEA - stainless steel or anthracite

1. Intended use

This product is for lighting purposes only and: -can be installed indoors and outdoors -protection type IP44, suitable for indoor & outdoor use -must not be exposed to strong mechanical loads or heavy soiling -may not be operated after damp or dirty storage until after a condition check -may not be changed or modified, otherwise the operating permit and conformity will expire with immediate effect! It is not allowed to remove the type plate.

▲ If the aforementioned points are not observed, a short circuit or electric shock may occur! **There is danger to life!**

2. General safety instructions

▲ For safe handling of the product, the user must have read and understood the installation/operating instructions completely before using the device for the first time.

▲ The product may only be used if it is alright. If the device or parts of it are defective, it must be repaired by a qualified electrician.

▲ Only use lamps/light sources approved by the manufacturer. The max. lamp wattage in watts is not allowed to be exceeded.

▲ Safe operation of the product is only guaranteed if these instructions are followed. Therefore, keep these assembly/operating instructions. Linovum GmbH accepts no liability if the instructions given here are not followed or the lamp is subjected to improper use.

3. Assembly & configuration

▲ **Caution:** The connecting cable must be disconnected from the power supply before starting work (switch off the main switch/fuse)! Only use parts which are supplied with the product or which are clearly marked as equipment! Otherwise the product may not be sufficiently safe!

3.1 Assembly location

The product is suitable for indoor and outdoor.

▲ Components of the luminaire and especially the lamps/light sources become hot during operation. Especially in the case of halogen lamps/light sources. Keep a sufficient distance (0.5 m) from easily flammable objects (e.g. curtains, drapes, etc.) and flammable materials (ignition temperature < 250°C)!

4. Operation, bulb replacement, faults & disorders

▲ **Caution:** Disconnect the connecting cable from the power supply before replacing lamps/light sources! Halogen lamps/light sources become very hot during operation - risk of burns! Therefore, do not touch the protective glass or the reflector! Allow to cool down before replacing! Do not cover! There is a risk of fire when covering (e.g. with towel)! Lamps with protective cover may only be operated with complete protective cover!

▲ **Never look directly into the light source!**

What to do in case of error?

In case of an error, the device must be switched off immediately. The product may only be operated if it works correctly. The device may only be put back into operation after it has been checked by a qualified electrician!

This is the case if:

1. there is visible damage, 2. the product is not working correctly, 3. there is smoke, steam, or audible crackling noises, 4. overheating can be detected.

▲ **Caution:** There is a danger to life - repairs to the product or work on parts carrying mains voltage may only be carried out by qualified electricians.

Avoidance of disturbances and fire hazards:

It is not allowed to cover the product under any circumstances. Air circulation must be ensured. Nothing may be attached or hung on the product, especially no decoration.

5. Cleaning & care instructions

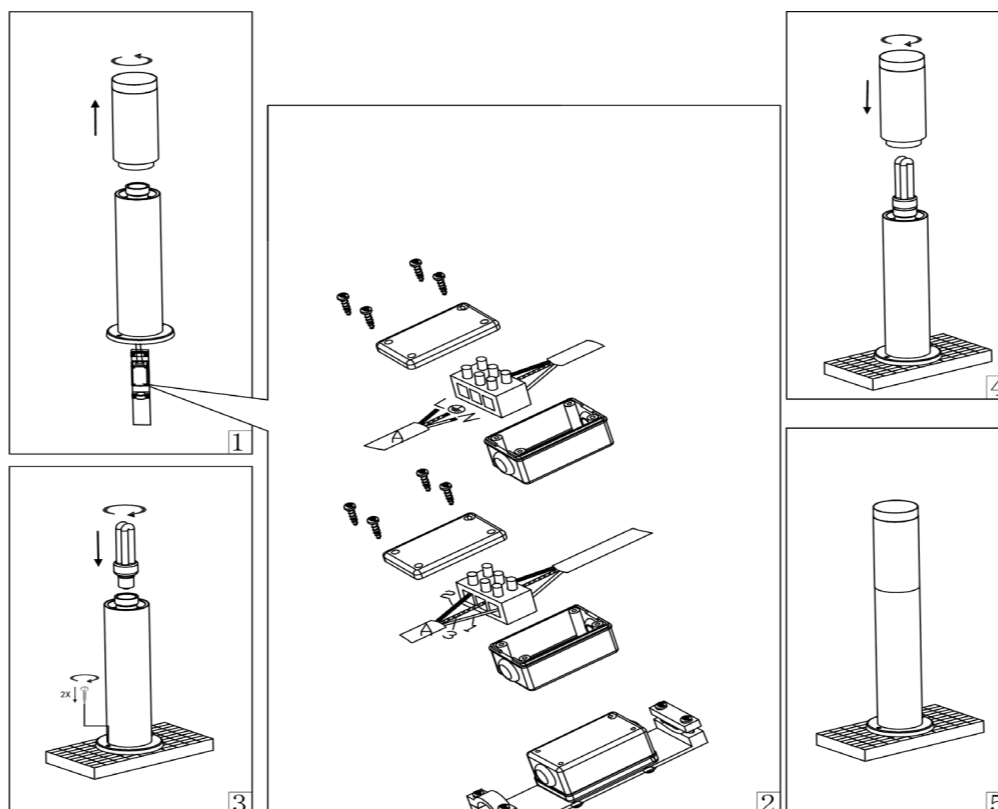
The product may only be wiped dry or carefully with a slightly damp and lint-free cloth. The product is not allowed to be removed for this purpose. Do not use abrasive or sharp objects or aggressive cleaning agents. Do not use solvents.

6. Assembly instructions



1. Disconnect the connecting cable from the power supply!
2. Pull the cable connection unit out of the enclosure. Use the auxiliary rail inside to do this. - Fig.1
3. Turn the cover (illuminated surface) counterclockwise off the column. - Fig.1
4. Loosen the four screws of the cable connector box and remove the cover. Connect the connecting cable to the column (luster terminal L, N & protective earth). - Fig.2
5. Screw the cover back on with the four screws. Make sure that the seal does not slip. Fix the outgoing cable with the strain relief. - Fig.2
6. Guide the cable connection unit with the auxiliary rail back into the enclosure. - Fig.3
7. Screw the E27 light source (caution: max. Ø 60 mm) into the socket. - Fig.1
8. Turn the cover (illuminated area) back onto the column, pay attention to the sealing rings. - Fig.4
9. **Direct mounting on the floor:** Screw the energy pillar to the desired surface with two screws (use dowels if necessary). screws (use dowels if necessary). - Fig.3
- 9.1 **Mounting with ground spike:** Screw the base plate and the spike together. Screw the ground spike to the underside of the energy pillar with the two screws & washers. Press the energy pillar into the ground with a little force. **Caution:** Do not hit the column with a hammer, as this would damage the surface.
10. Switch the connecting cable to voltage.
11. The product is now ready for use. Fig.5

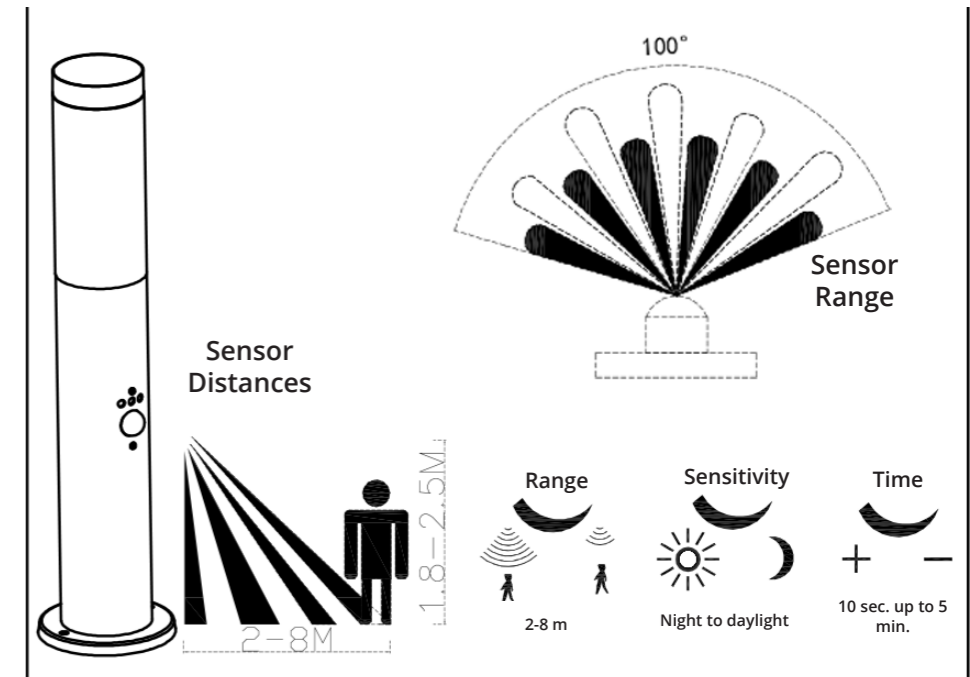
7. Assembly illustrations



Technical Data BOSEA

	Type:	Pathway light
	Model:	Stainless steel or anthracite
	Protection type:	IP44
	Voltage:	220-240 V / 50 Hz
	Material:	Stainless steel / polycarbonate (lexan)
	Max. power:	60 W
	Socket:	E27 - Caution: Ø max. 60 mm
	Operating temperature:	-20° C - +40° C
	Protection class:	I
	Column diameter:	75 mm
	Base diameter:	110 mm
	Height:	440 mm
	Colour:	Silver / anthracite
	Cable type:	H05VV-F 3G1,5 mm²

Settings motion detector PIR - Only for model data BOSEA - B - with motion detector



Important information

- Disconnect the device from the mains power before starting
- Protection class I
- Installation only by qualified electrician

CE Vers. 10/2021

Notes on use indoors & outdoors

- ▲ **Protection type IP20 & IP23** - Use only indoors and dry, i.e. do not use in damp or dirty rooms and in areas of high humidity.
- ▲ **Protection type IP44 & IP6x** - Can be used indoors and outdoors.

Web: www.linovum.de

Satisfied with your product? Then we look forward to your product review in our online store, on Amazon or eBay!

Disposal instructions

Make sure to dispose packaging in accordance with the applicable guidelines of your local authority. Devices marked with the crossed-out waste garbage do not belong in the household waste! You are obliged to hand in these devices at one of the free collection points in your municipality. You can obtain more information from your local authority, the relevant town hall or a local or regional waste disposal company.

▲ **Keep packaging material and small parts away from children and animals. Danger of suffocation!**