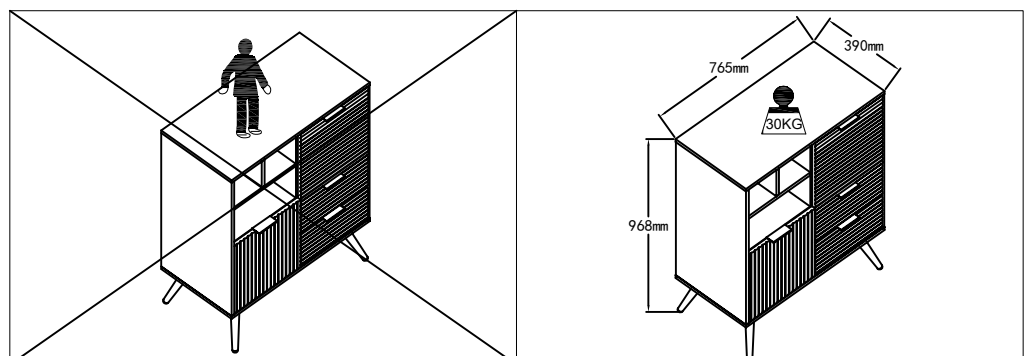
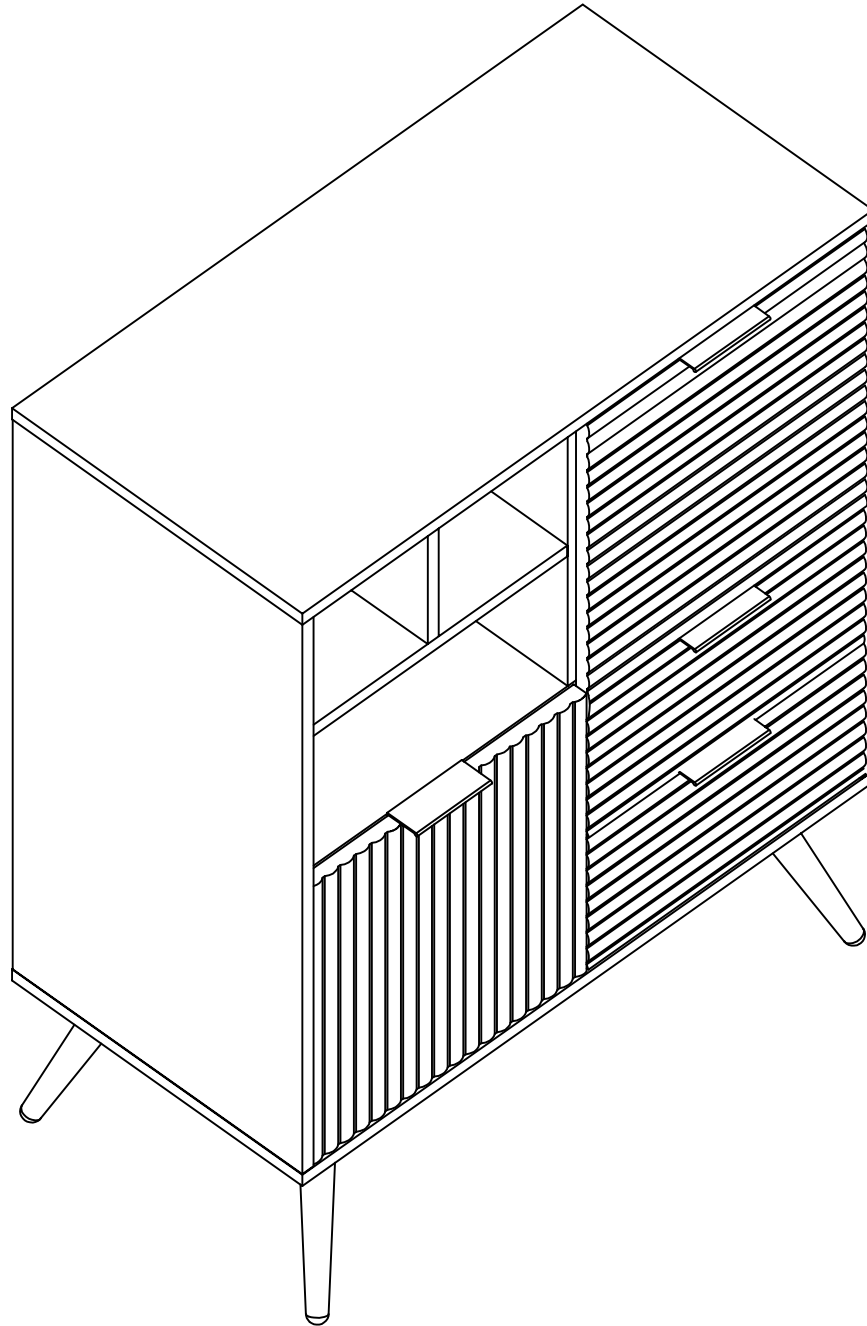
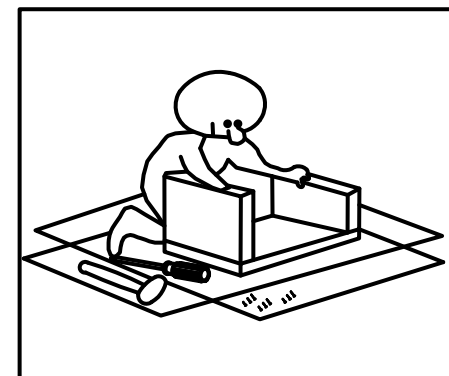
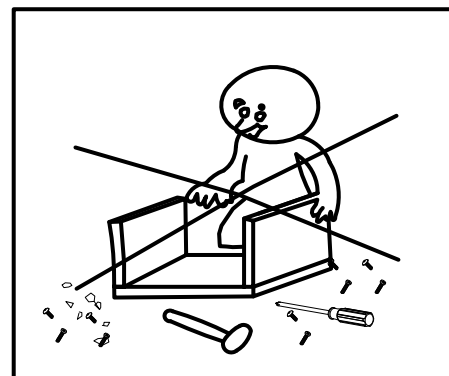
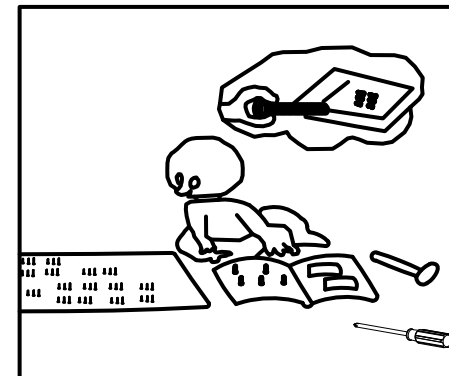
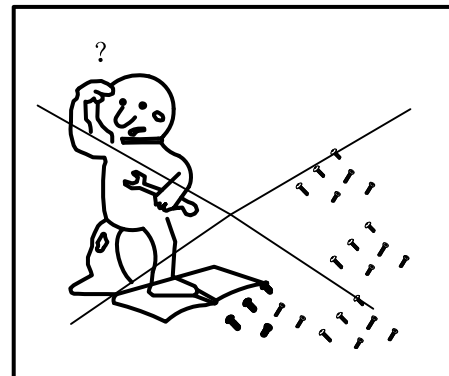
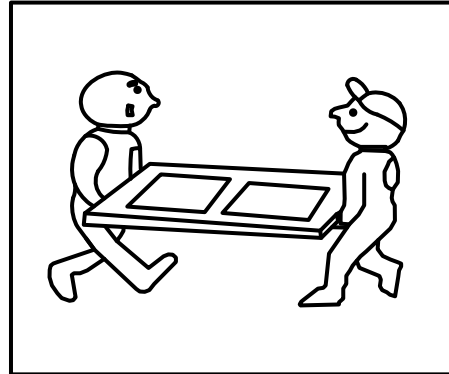
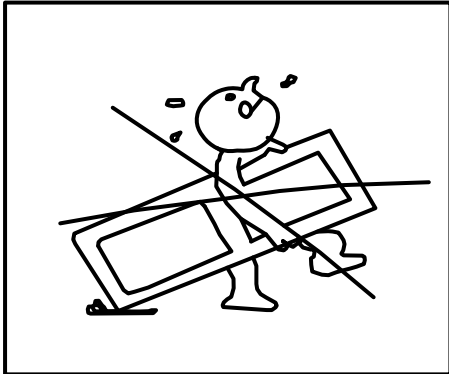
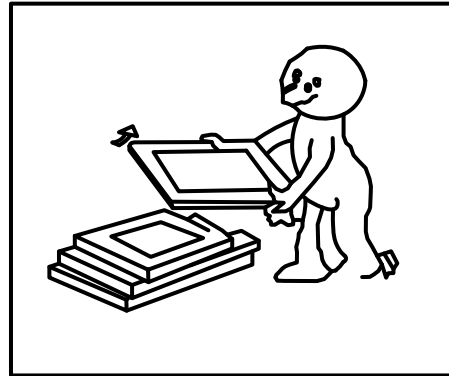
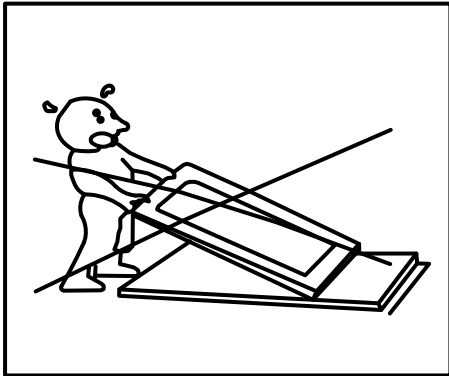
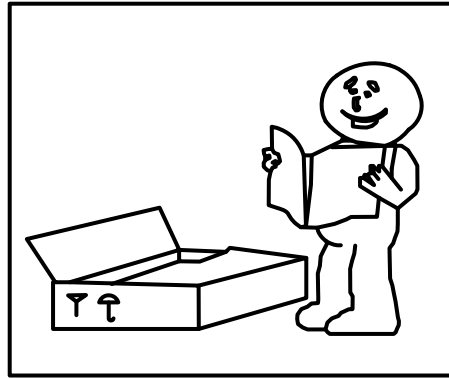
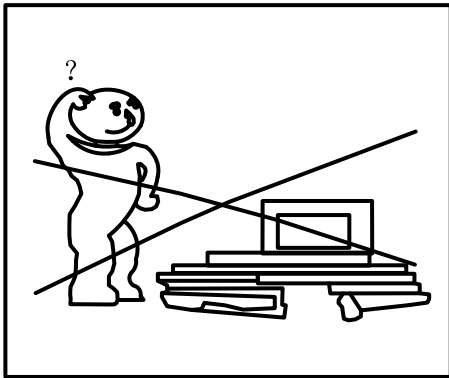


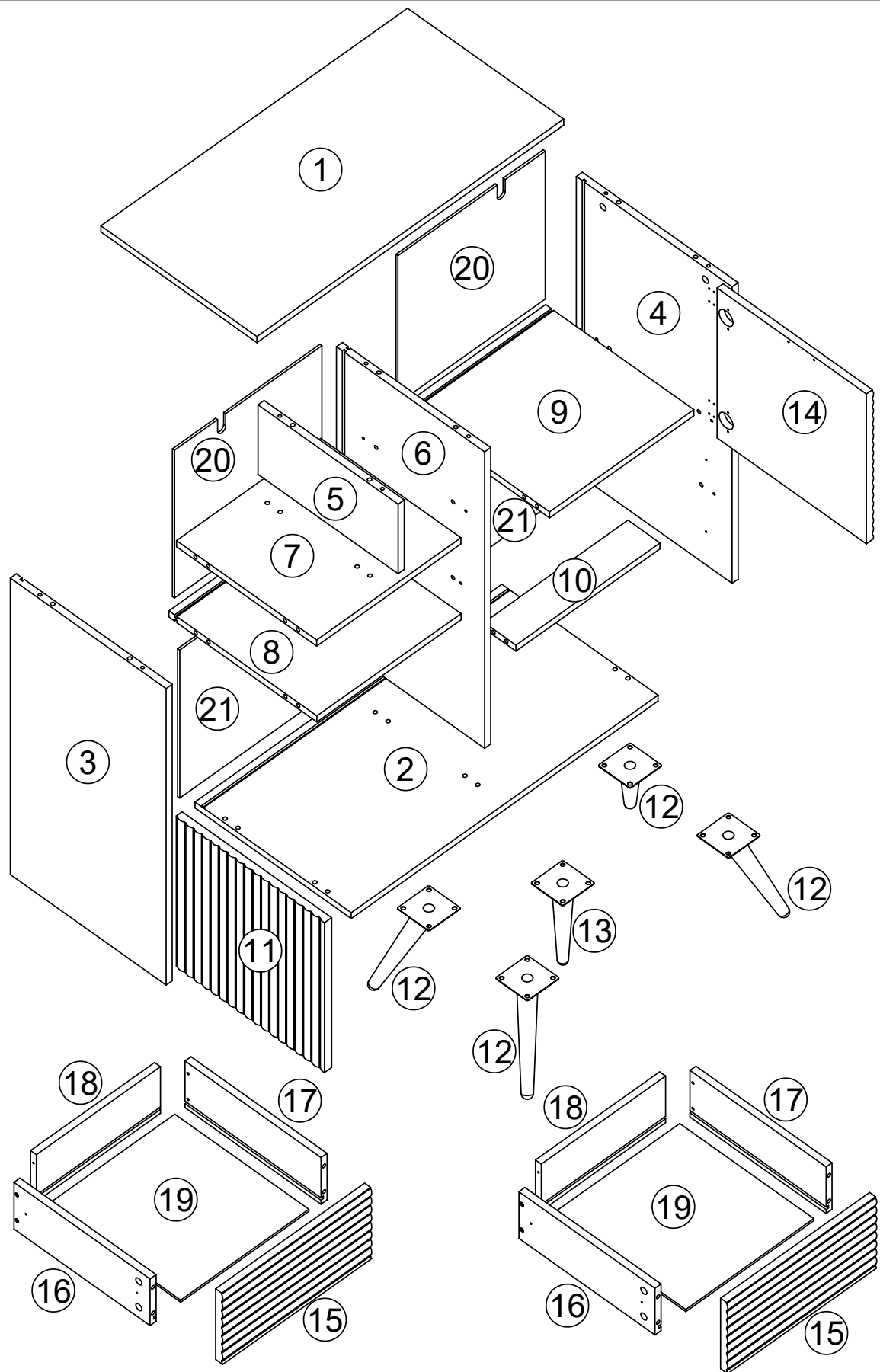
WOHNLING®

Möbel zum Wohlfühlen






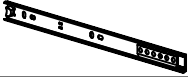




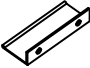


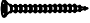


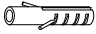

WL6.884



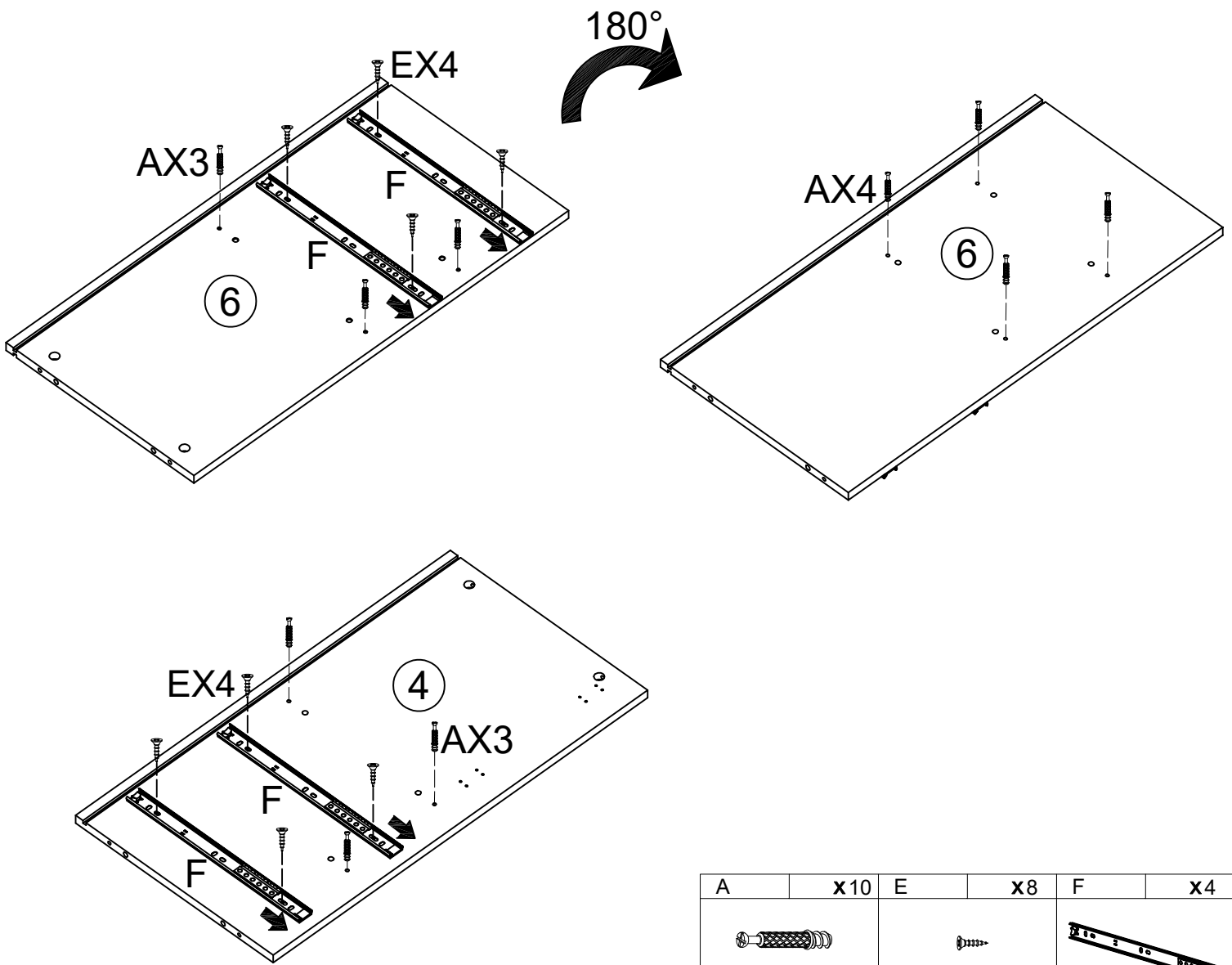
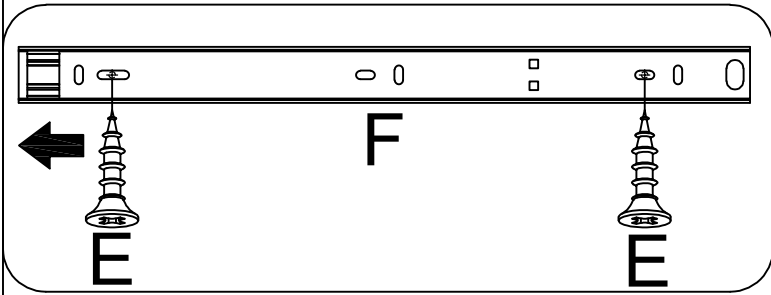
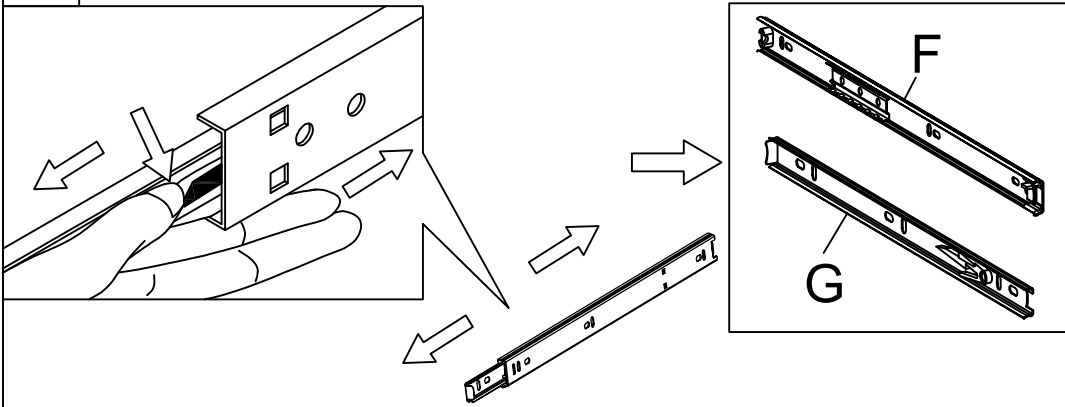




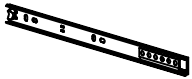


<p>2 PERSONEN</p>	<p>50min</p>		
-------------------	--------------	--	--

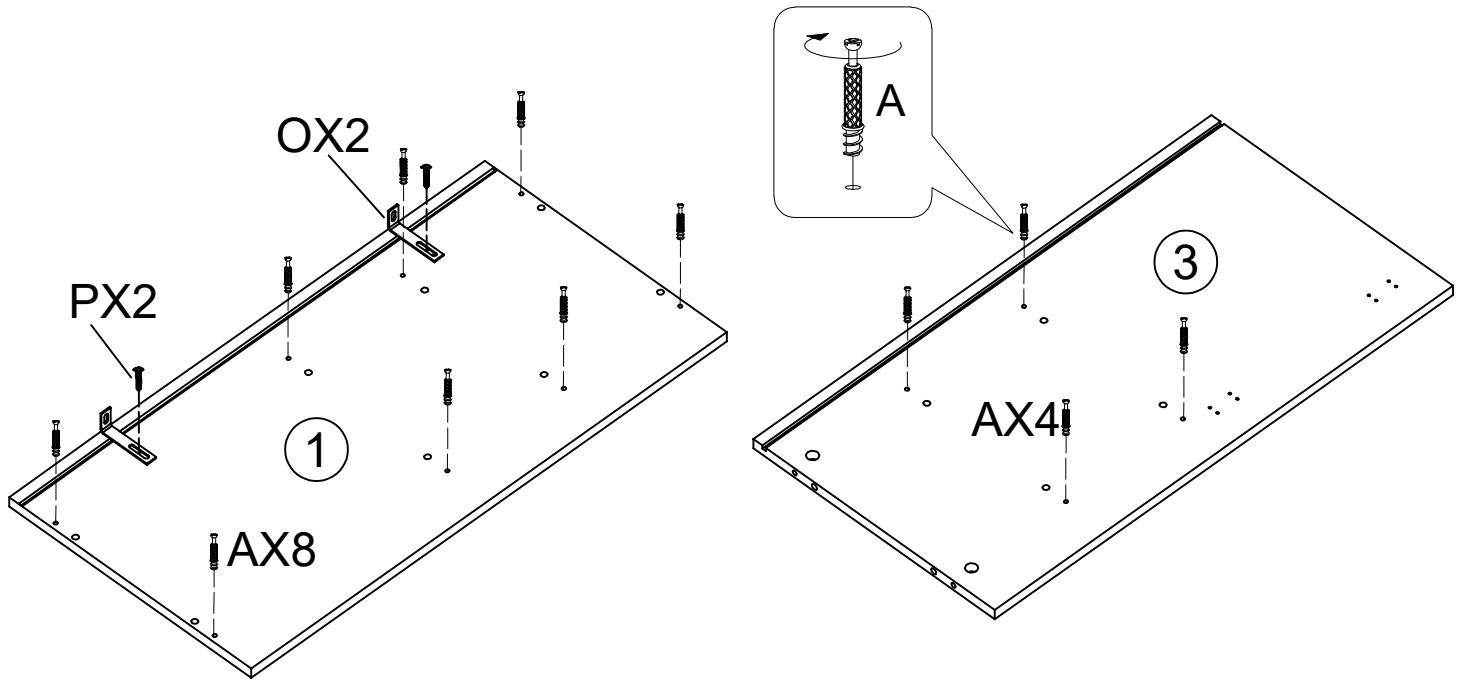
A	x30	B	x30	C	x30	D	x8	E	x64	F	x4	G	x4
													
M6x35mm		Φ15mm		Φ8x30mm		M7x40mm		M3.5x14mm					
H	x16	I	x1	J	x20	K	x4	L	x4	M	x16	N	x8
													
		4mm		M6x12mm						Φ20mm		M4x35mm	
O	x2	P	x2	Q	x2	R	x2						
													
		M4x14mm				M4x35mm							




1



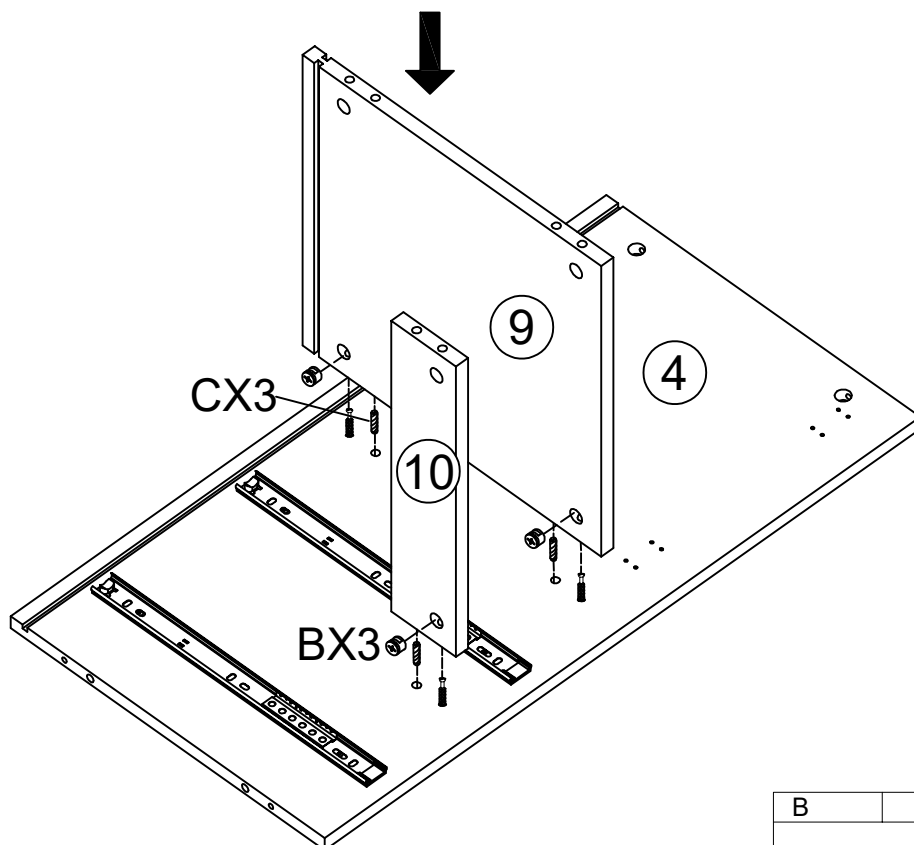
A	x10	E	x8	F	x4
					
M6x35mm		M3.5x14mm			



2



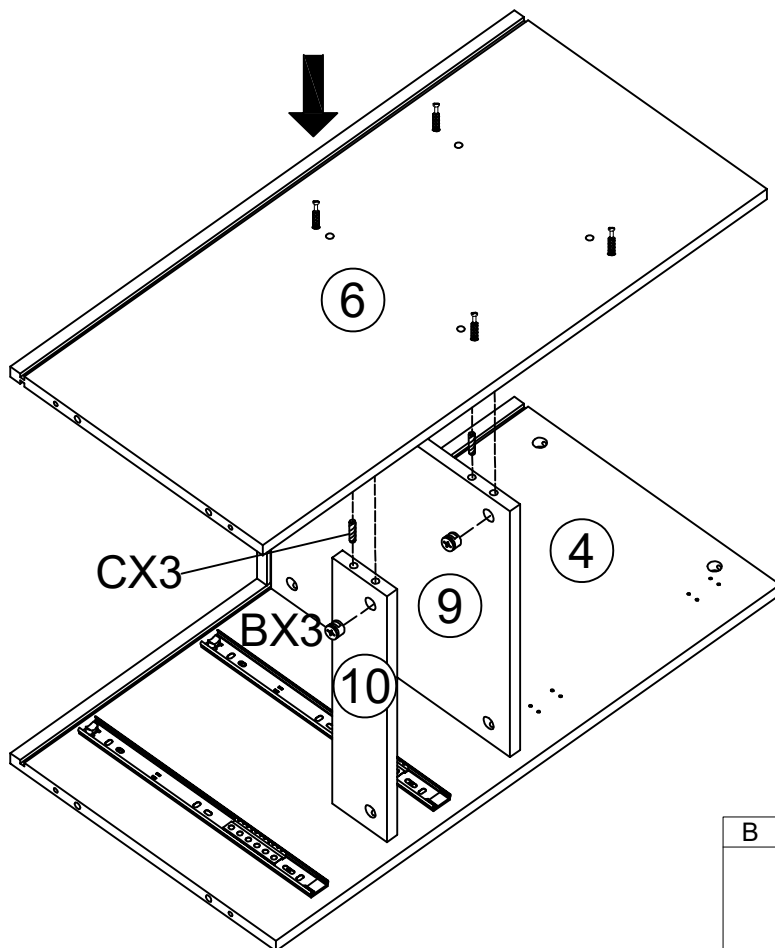
A	x12	O	x2	P	x2
					
M6x35mm				M4x14mm	



3



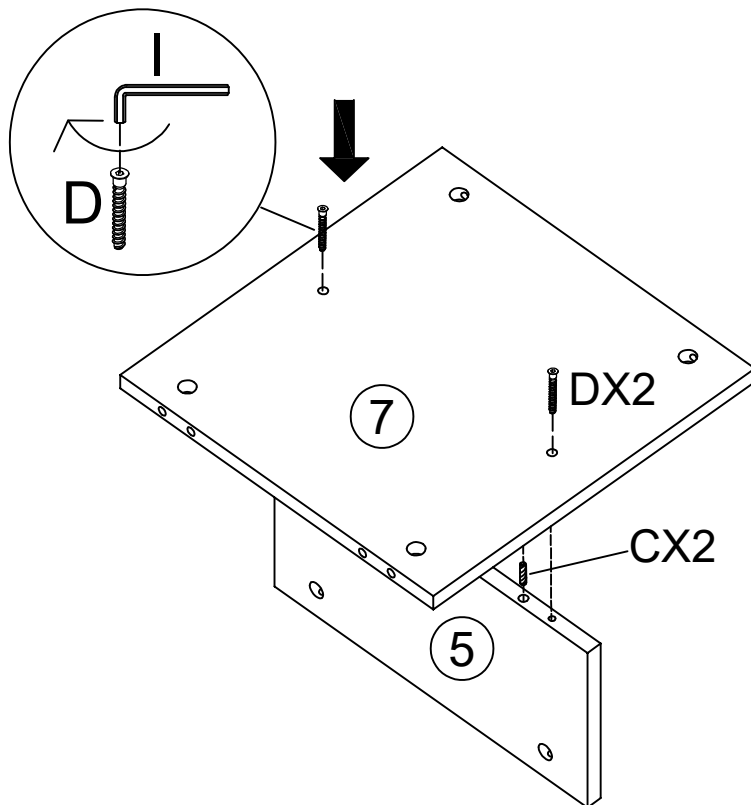
B	x3	C	x3
			
Φ15mm		Φ8x30mm	




4



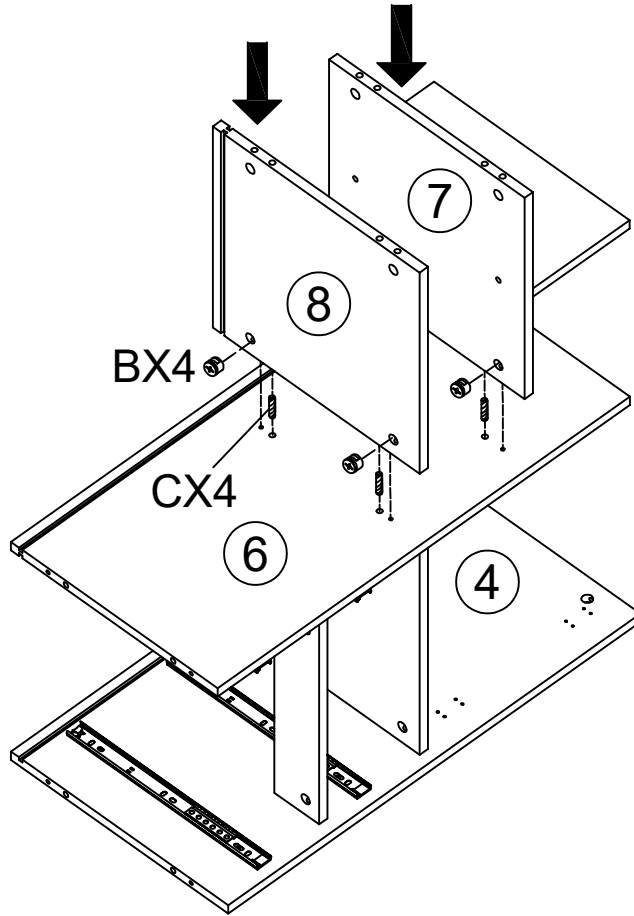
B	x3	C	x3
			
Φ15mm		Φ8x30mm	


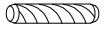
5



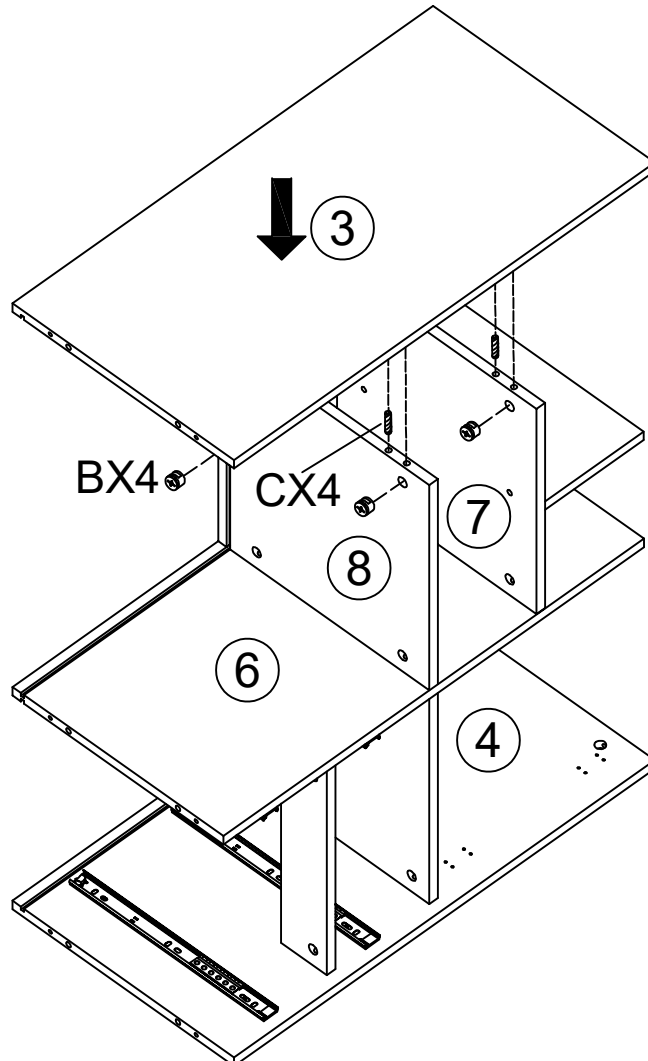
C	x2	D	x2	I	x1
					
Φ8x30mm		M7x40mm		4mm	


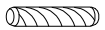
6



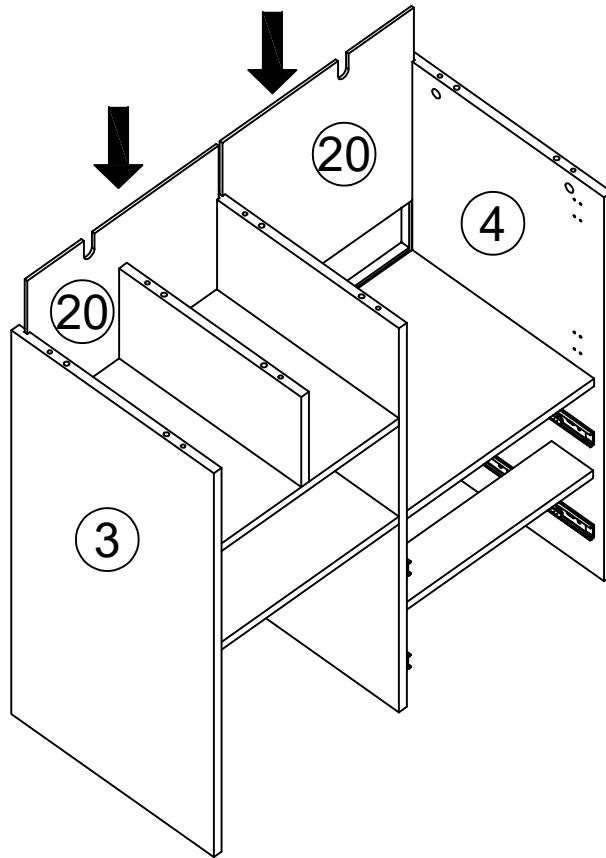
B	x4	C	x4
			
Φ15mm		Φ8x30mm	

7

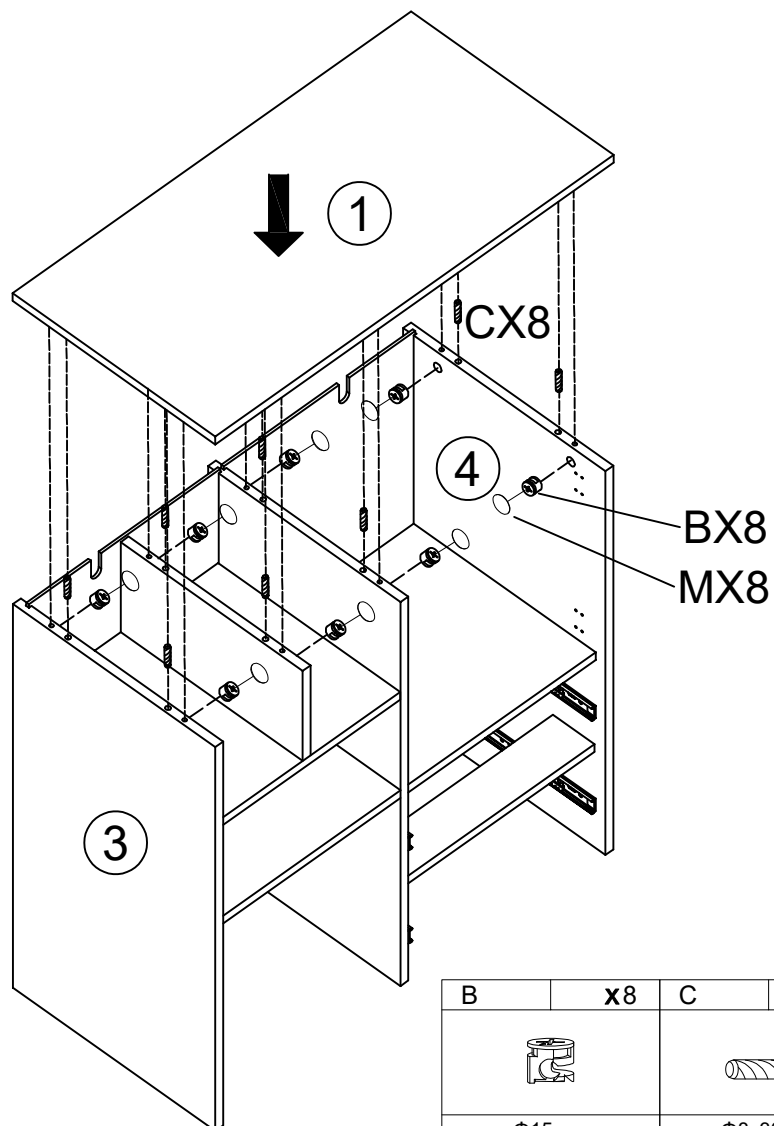


B	x4	C	x4
			
Φ15mm		Φ8x30mm	

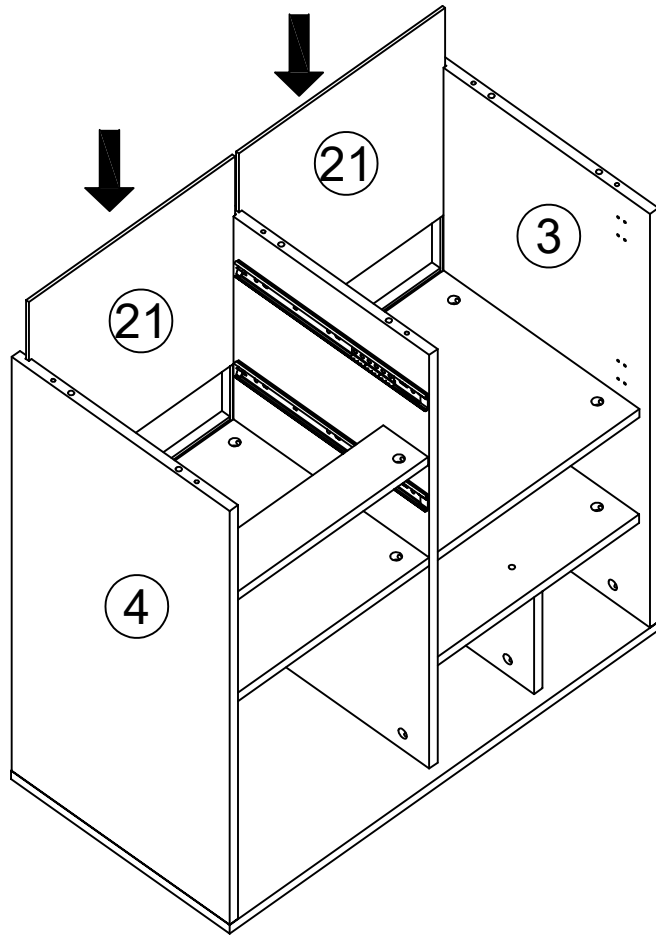
8



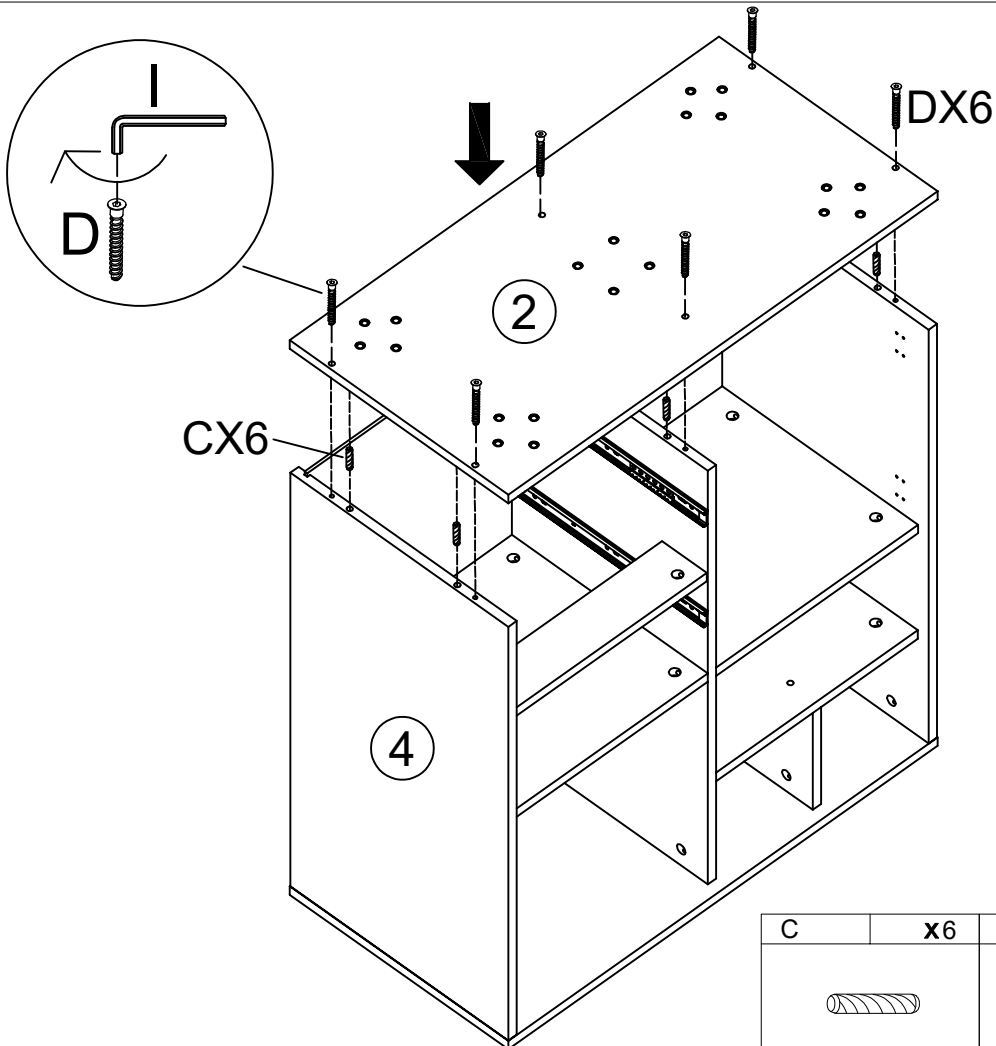
9


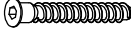



10

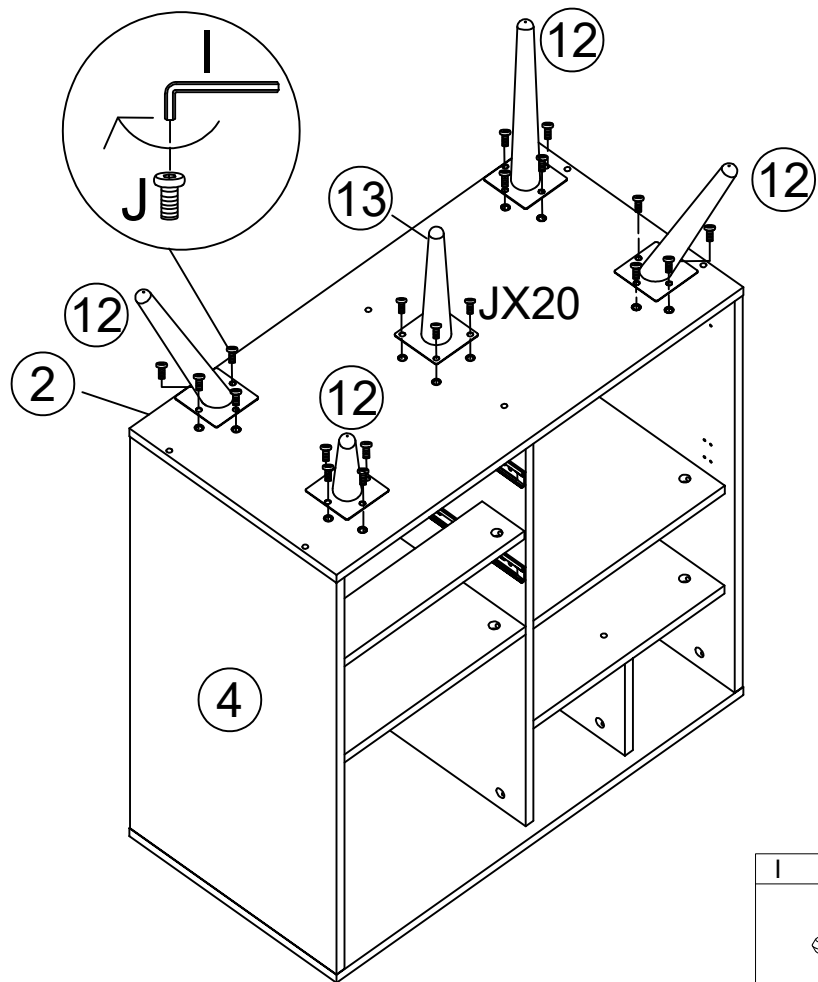




11



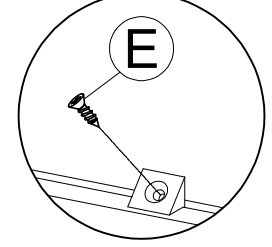
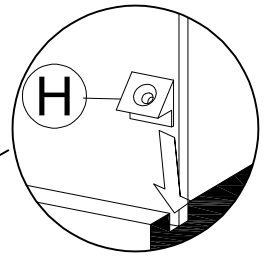
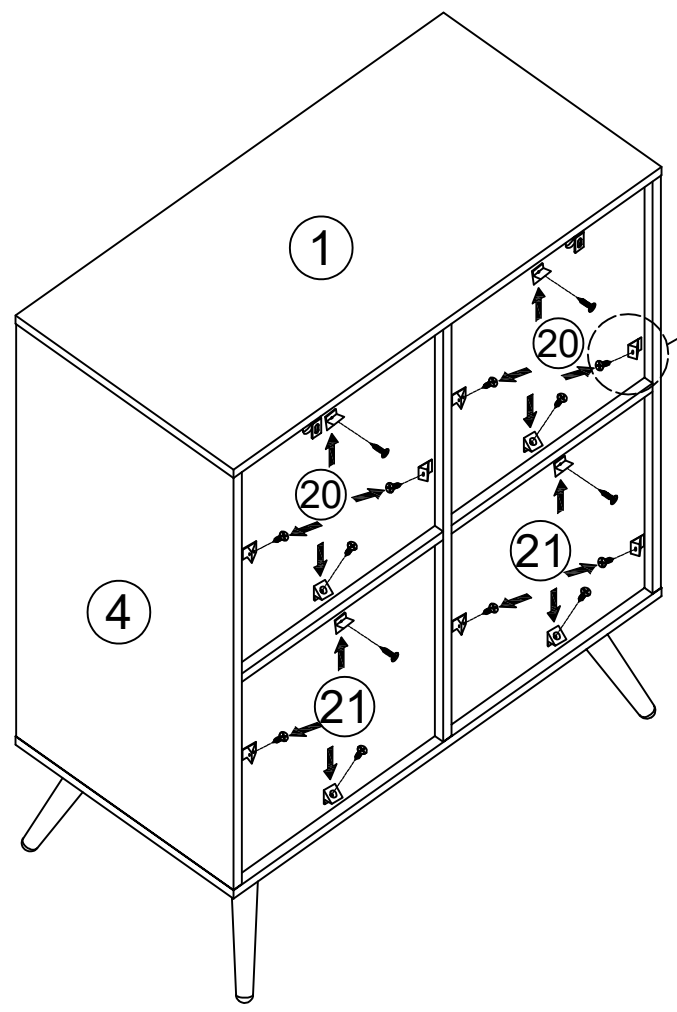
C	x6	D	x6	I	x1
					
Φ8x30mm		M7x40mm		4mm	

12





I	x1	J	x20
			
4mm		M6x12mm	

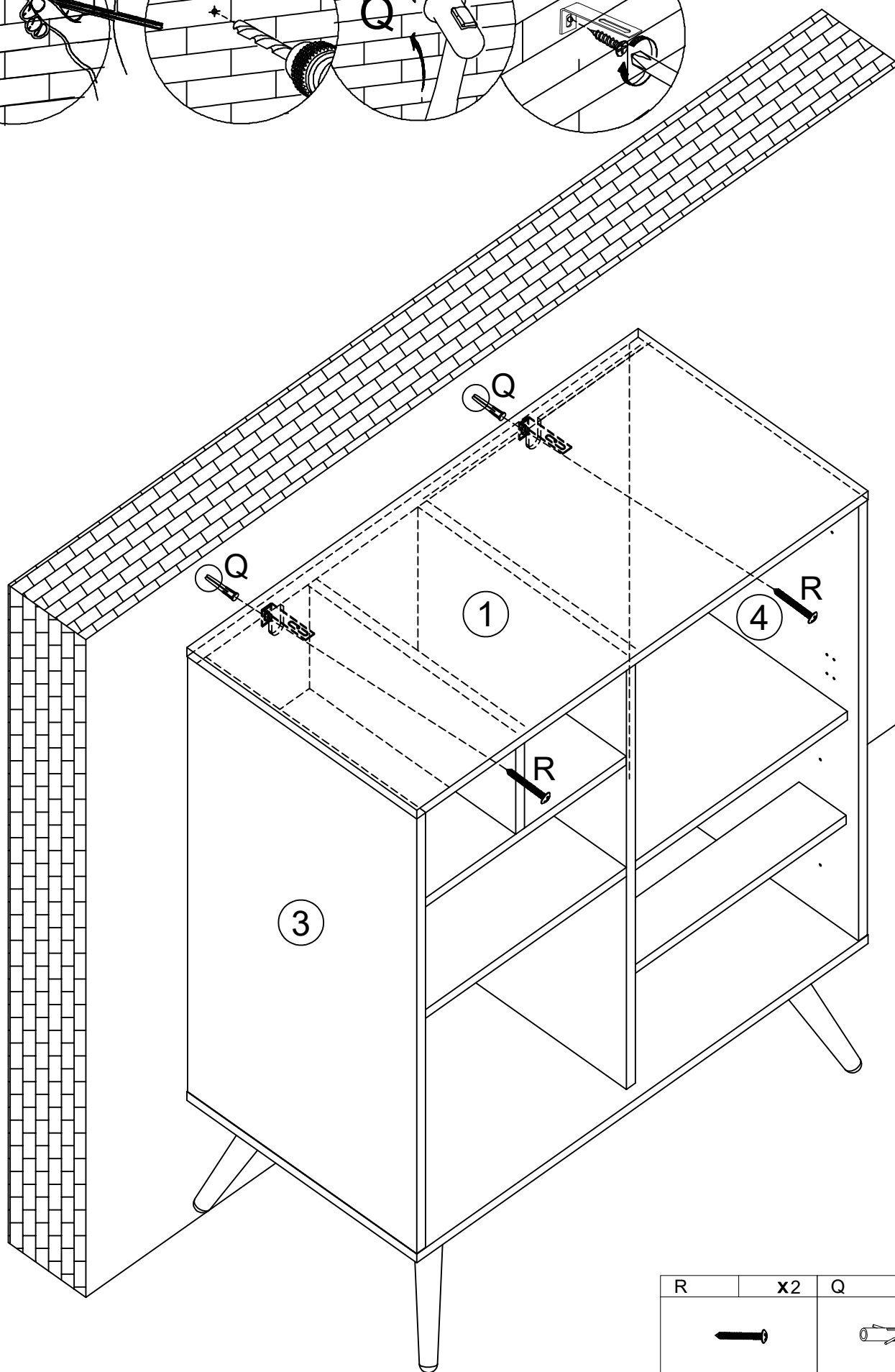
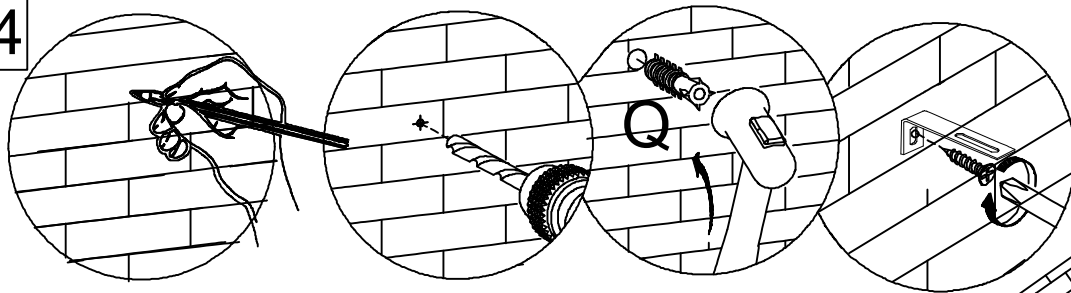
13





X16

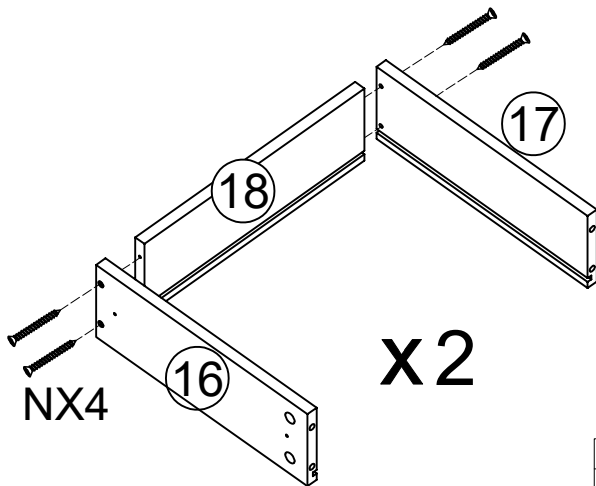
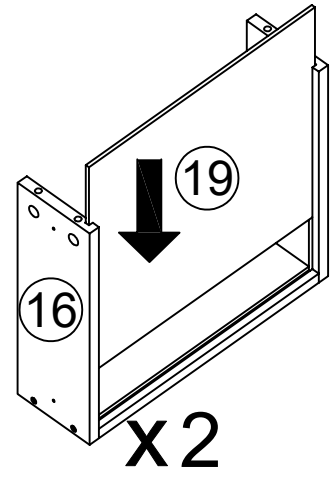
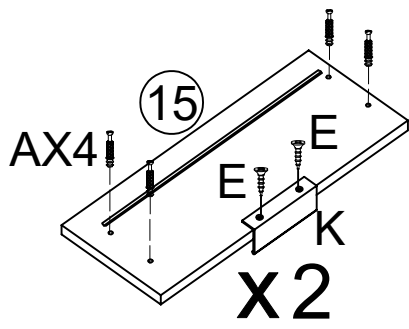
E	x16	H	x16
			
M3.5x14mm			


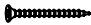


14



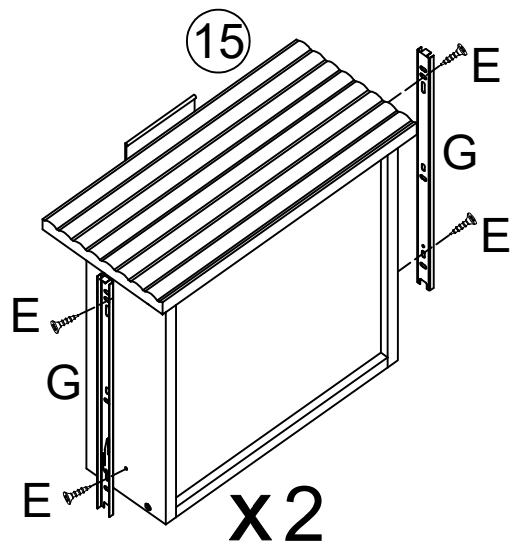
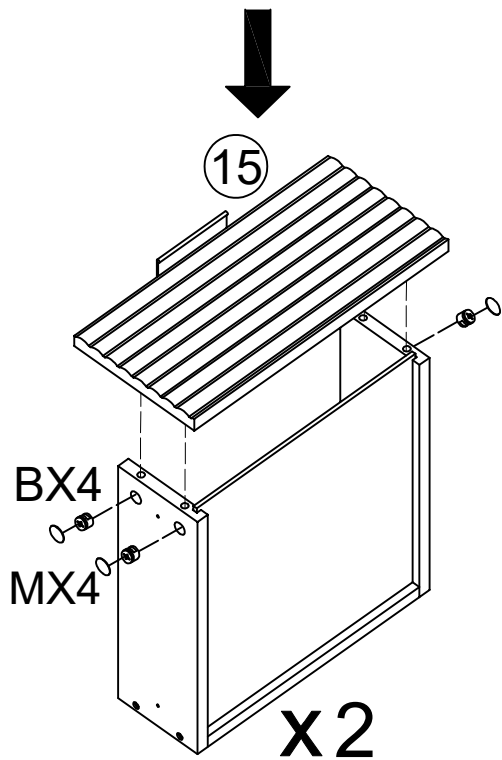
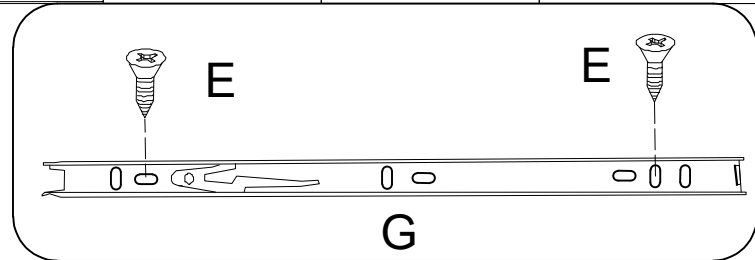
R	x2	Q	x2
			
M4x35mm			





15

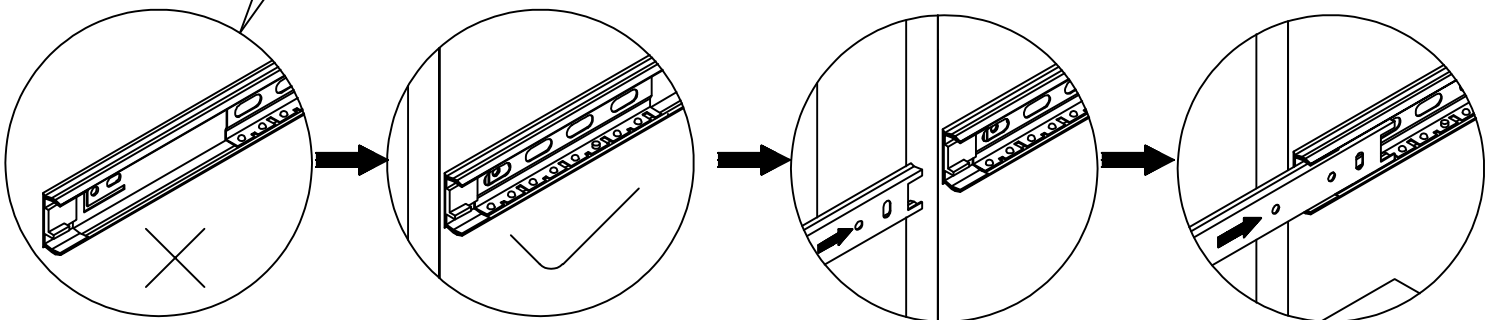
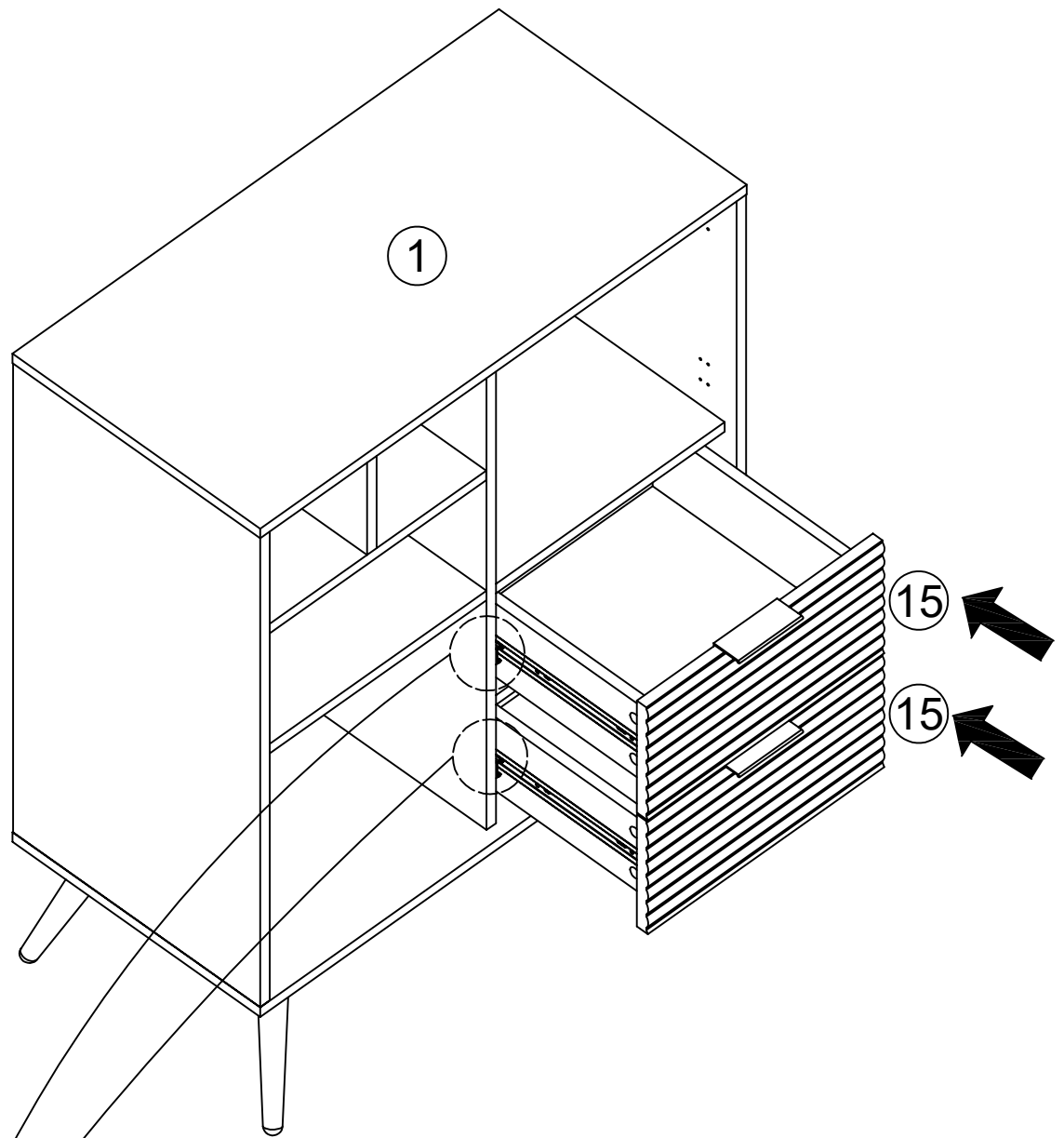


A	x8	N	x8	E	x4	K	x2
							
M6x35mm		M4x35mm		M3.5x14mm			

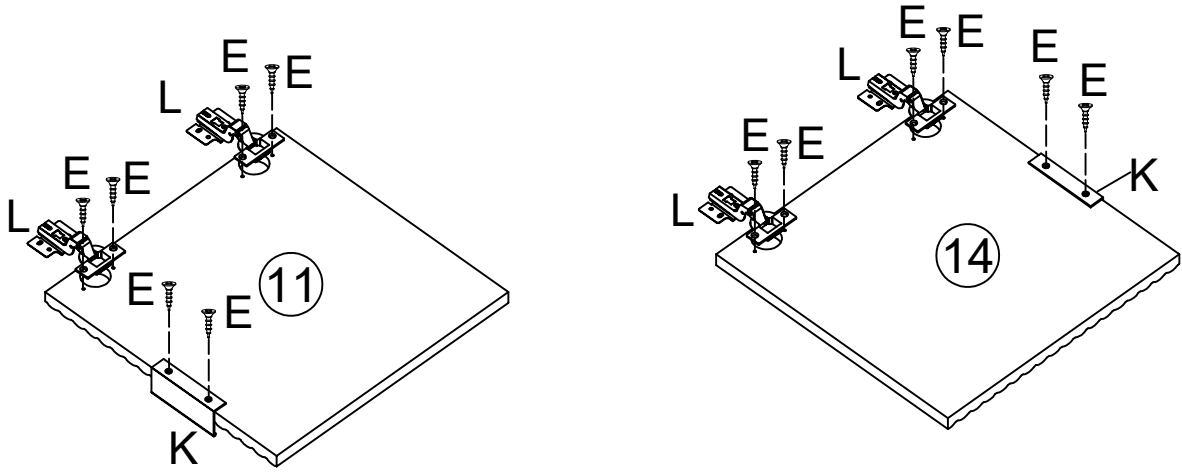
16


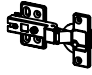
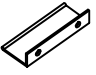


B	x8	E	x8	G	x4	M	x8
							
Φ15mm		M3.5x14mm				Φ20mm	

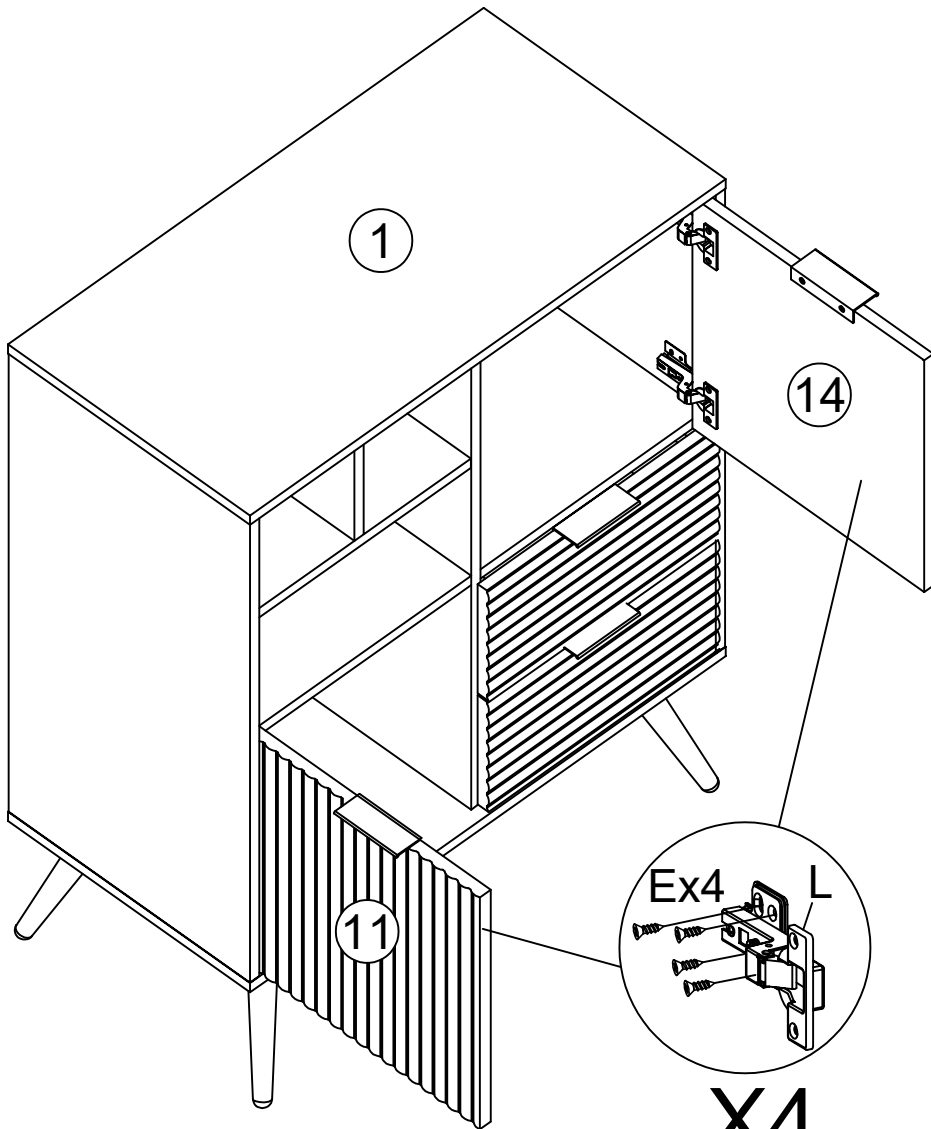


18

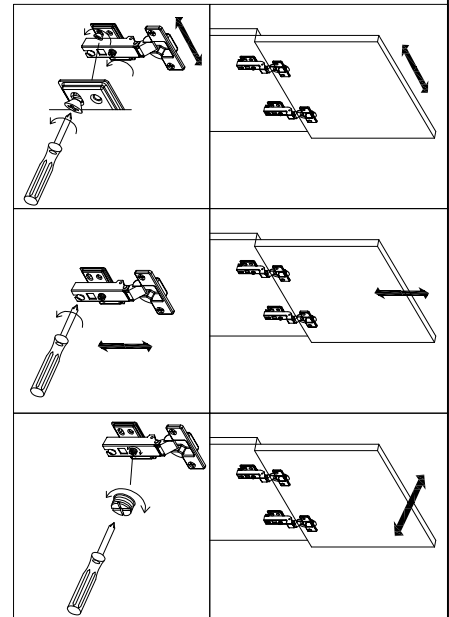



E	x12	L	x4	K	x2
					
M3.5x14mm					

19



X4



E	x16
	
M3.5x14mm	