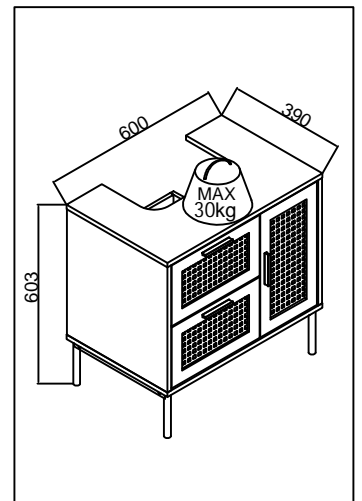
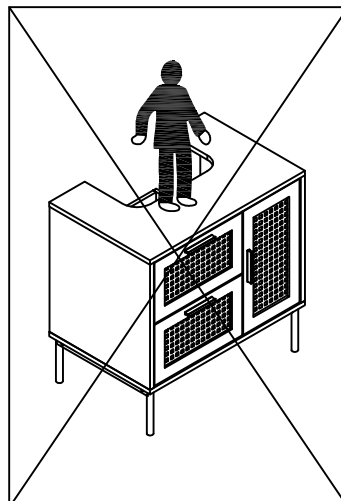
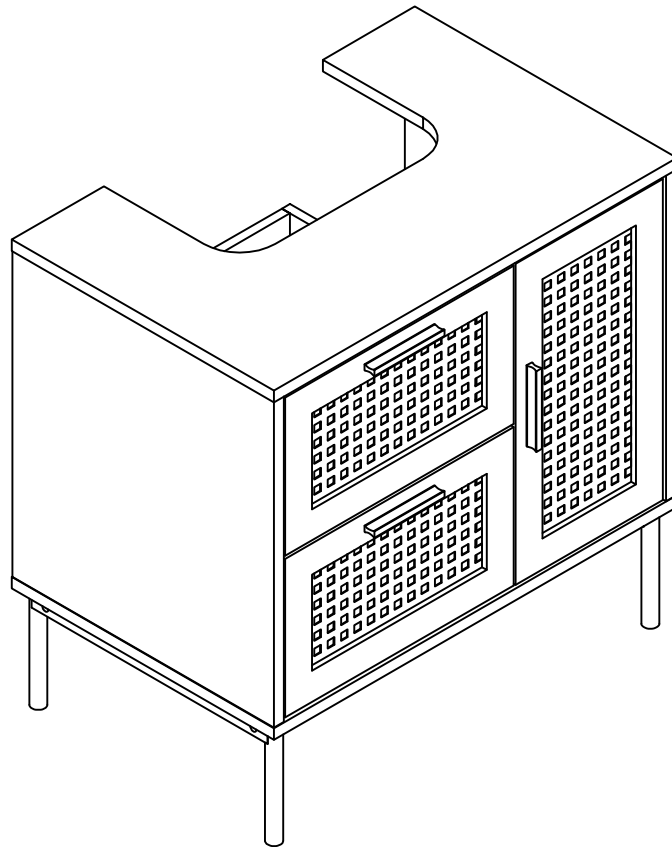
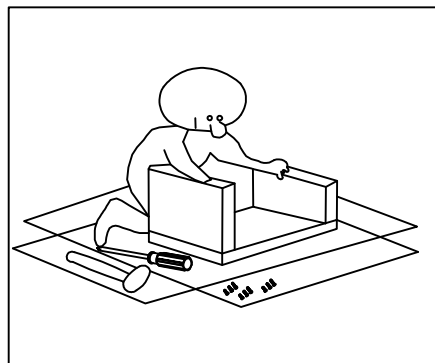
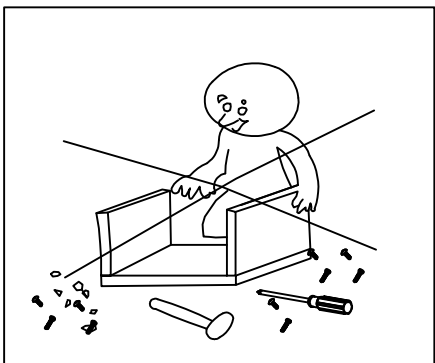
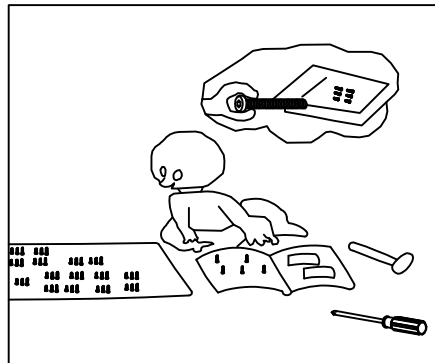
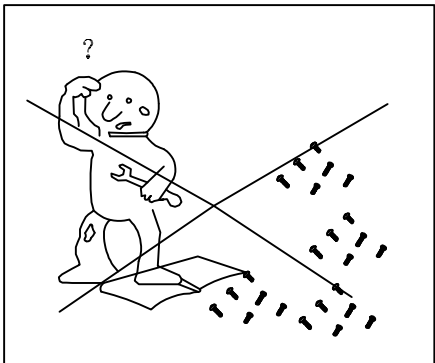
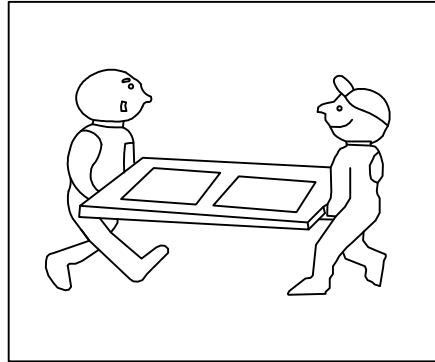
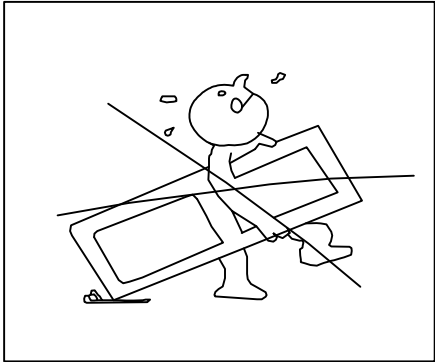
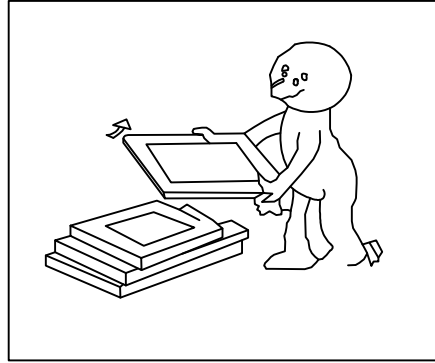
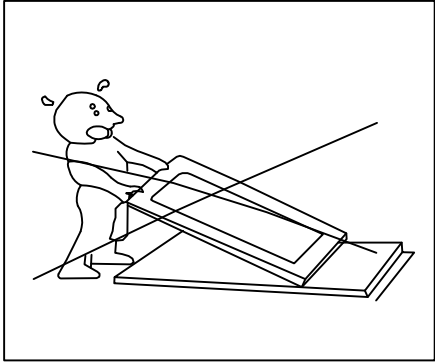
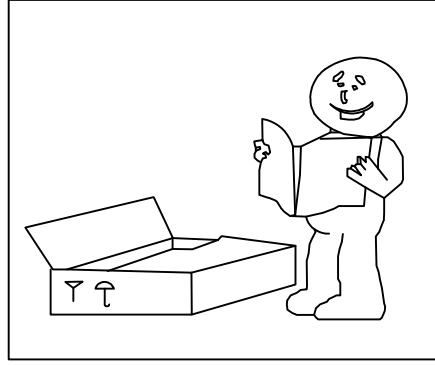
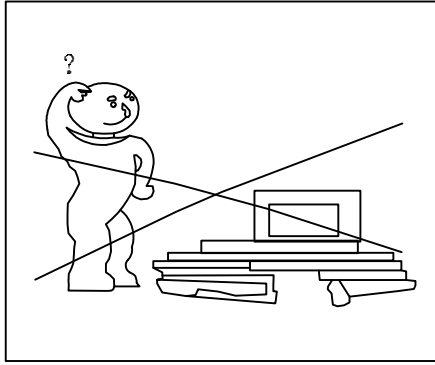


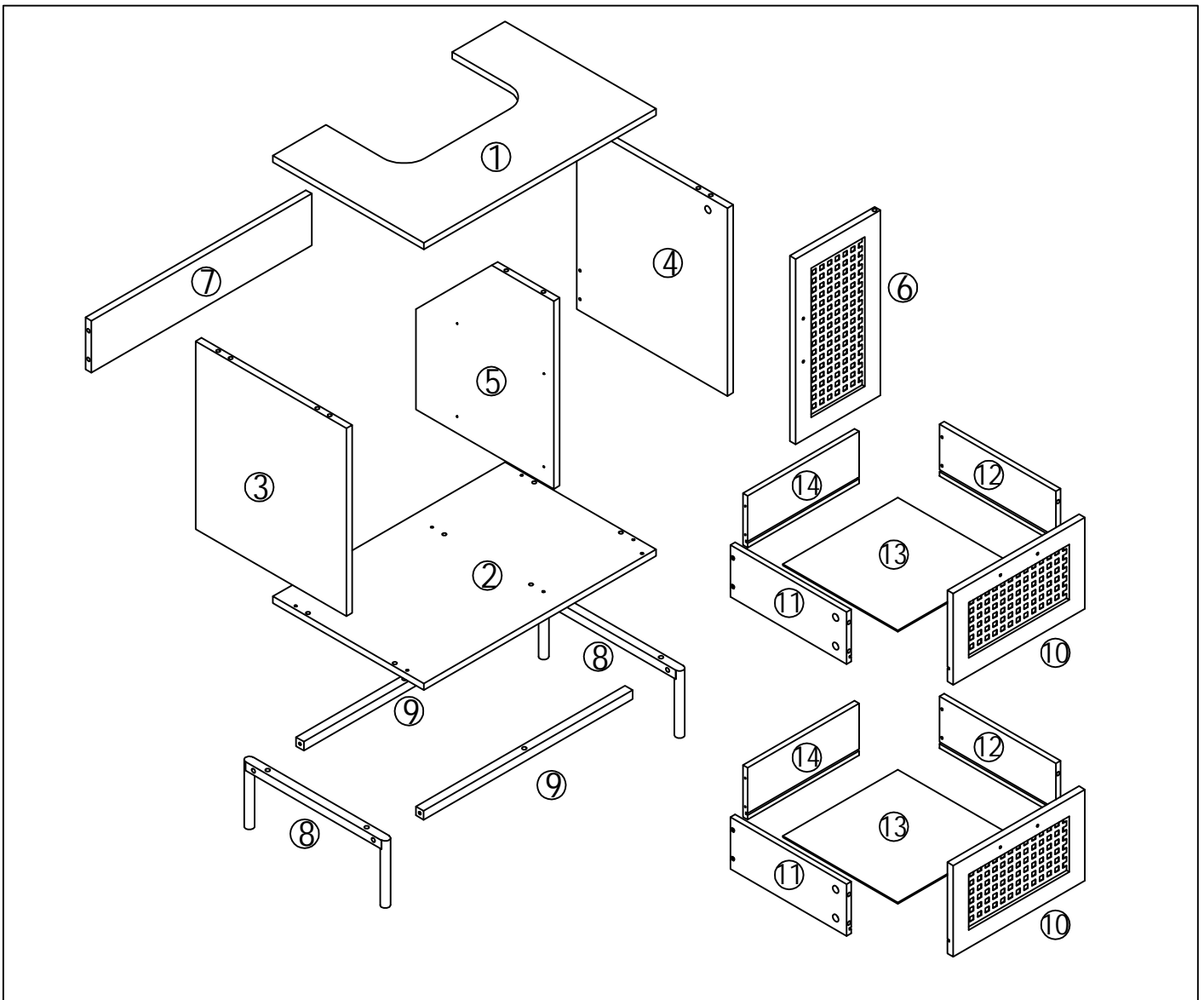
WOHNLING®

Möbel zum Wohlfühlen

WL6.876



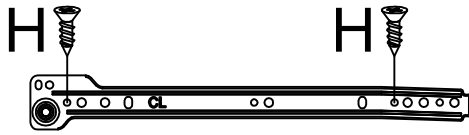




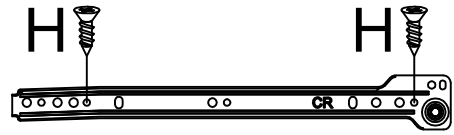
<p>2 PERSONEN</p>	<p>50min</p>		
-------------------	--------------	--	--

<p>A x18</p> <p>Ø6x35mm</p>	<p>B x18</p> <p>Ø15x10mm</p>	<p>C x10</p> <p>Ø8x30mm</p>	<p>D x14</p> <p>Ø4x40mm</p>	<p>E x2</p>	<p>F x6</p> <p>M4x18mm</p>	<p>G x1</p> <p>40x11.5x1mm</p>
<p>H x20</p> <p>Ø3x14mm</p>	<p>I x3</p> <p>110x15.5x8mm</p>	<p>J x1</p> <p>M4</p>	<p>K x1</p>	<p>L x4</p> <p>M6x40mm</p>	<p>M x6</p> <p>M6x35mm</p>	<p>CL x2</p> <p>300mm</p>
<p>CR x2</p> <p>300mm</p>	<p>DL x2</p> <p>300mm</p>	<p>DR x2</p> <p>300mm</p>				

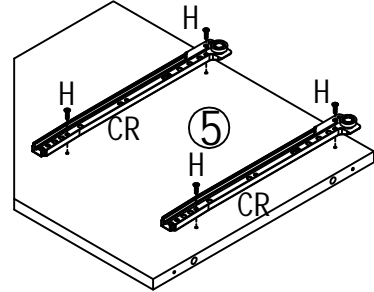
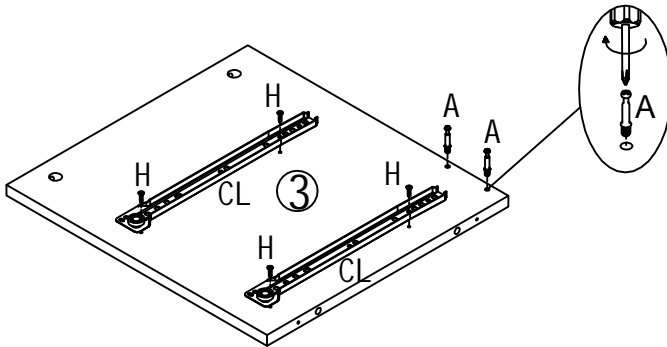
1



CL

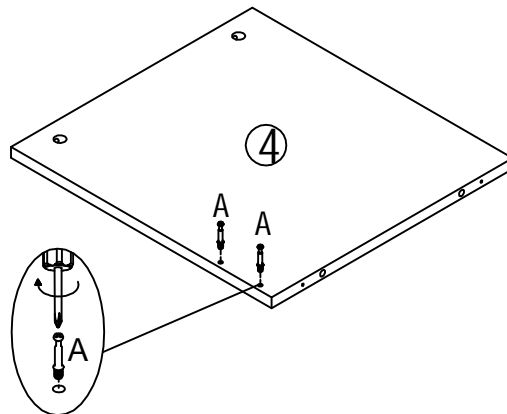


CR



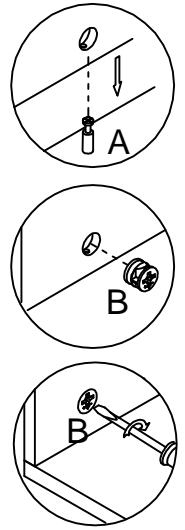
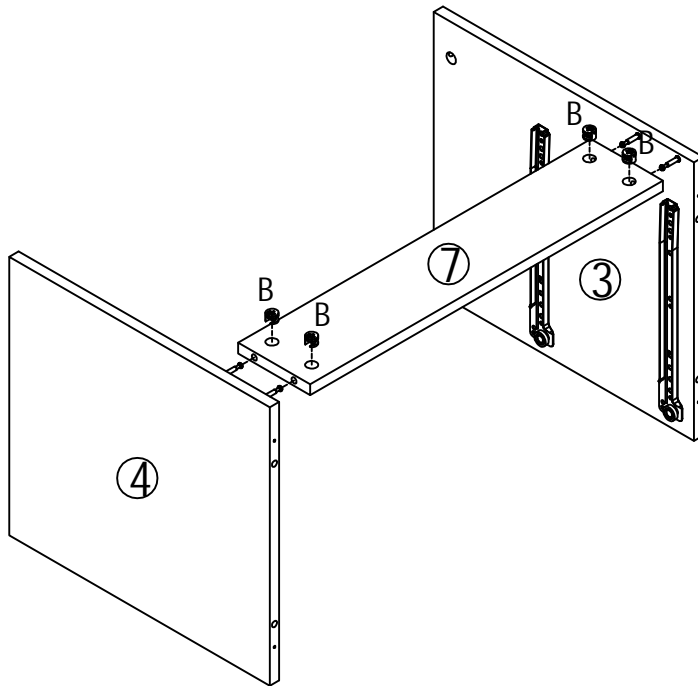
A	x2	H	x8	CL	x2	CR	x2
Ø6x35mm		Ø3x14mm		300mm		300mm	


2



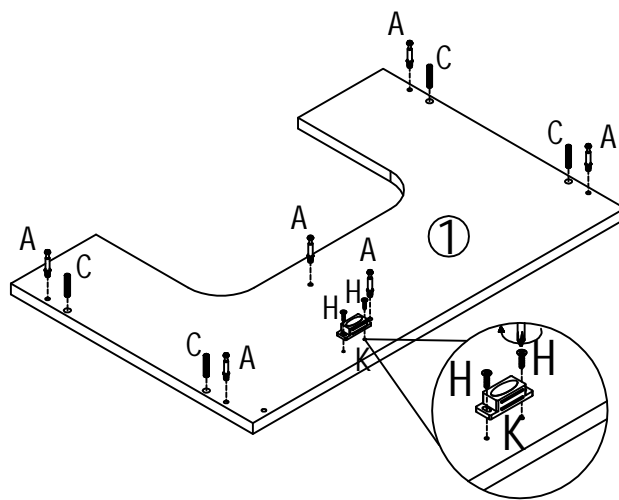
A	x2
Ø6x35mm	

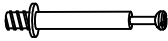



3



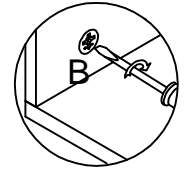
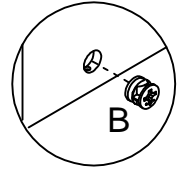
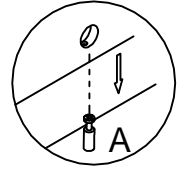
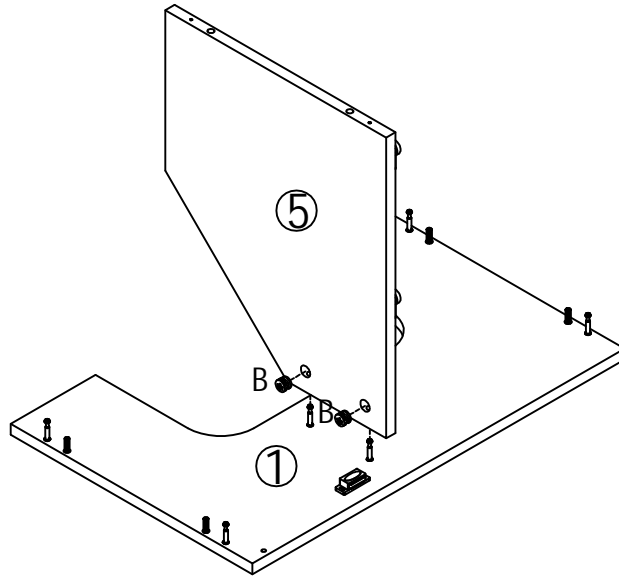
B	x4
	
Ø15x10mm	

4



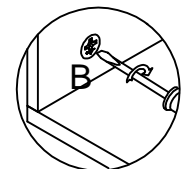
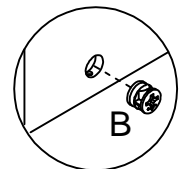
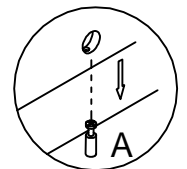
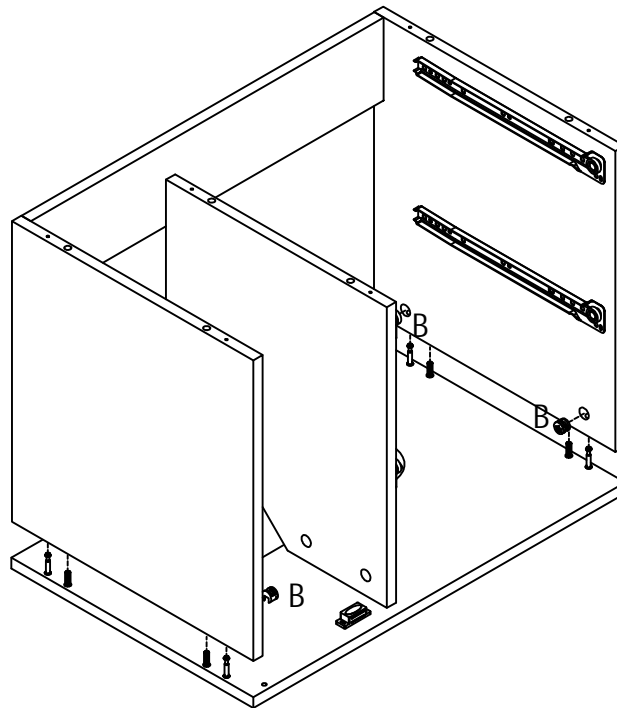
A	x6	C	x4	H	x2	K	x1
							
Ø6x35mm		Ø8x30mm		Ø3x14mm			

5



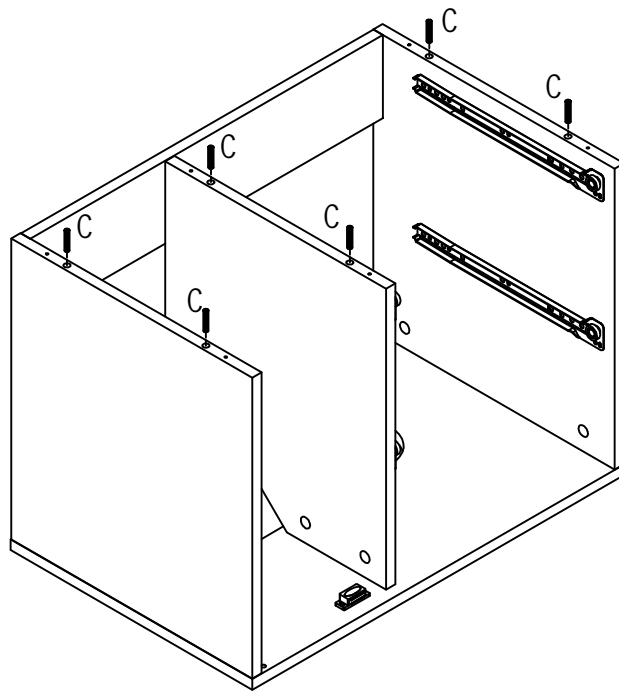
B	x2
Ø15x10mm	

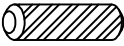
6



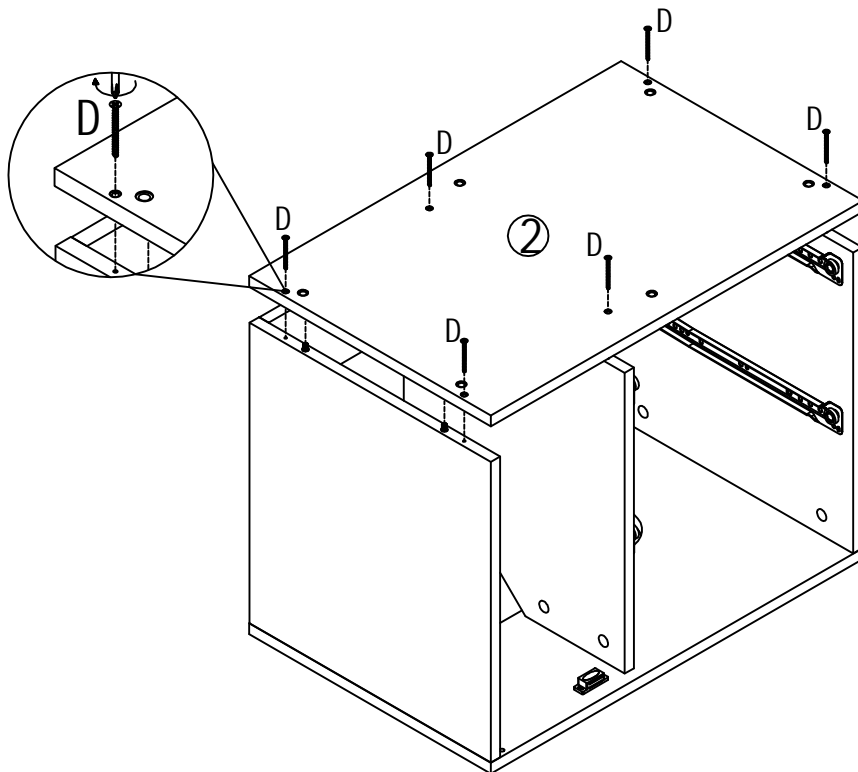
B	x4
Ø15x10mm	

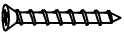
7



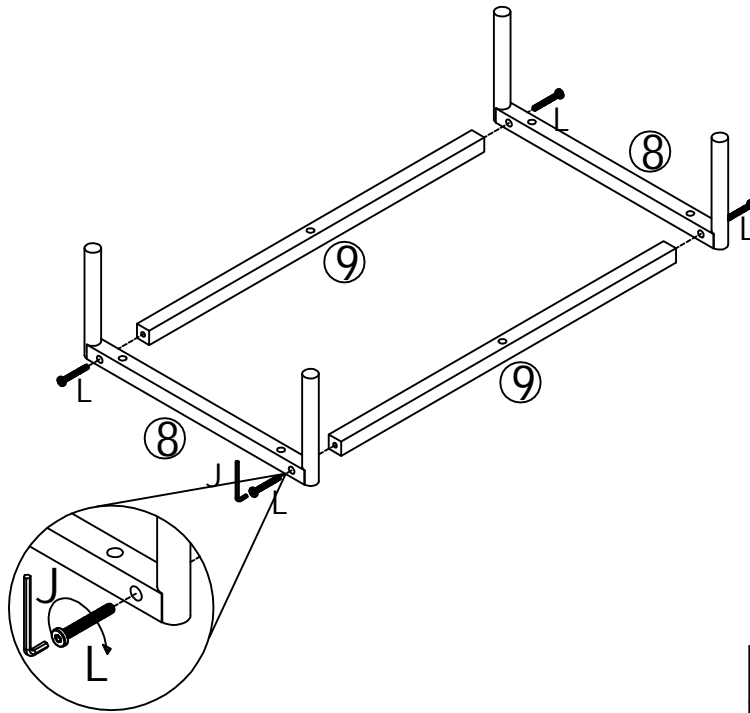
C	x6
	
$\text{Ø}8 \times 30 \text{mm}$	


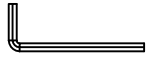
8



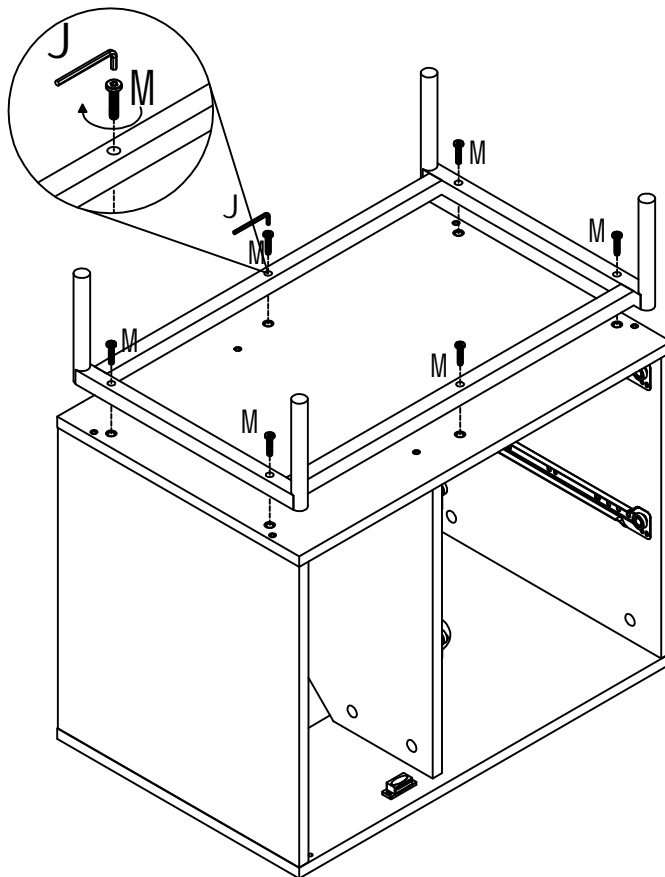
D	x6
	
$\text{Ø}4 \times 40 \text{mm}$	


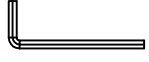
9



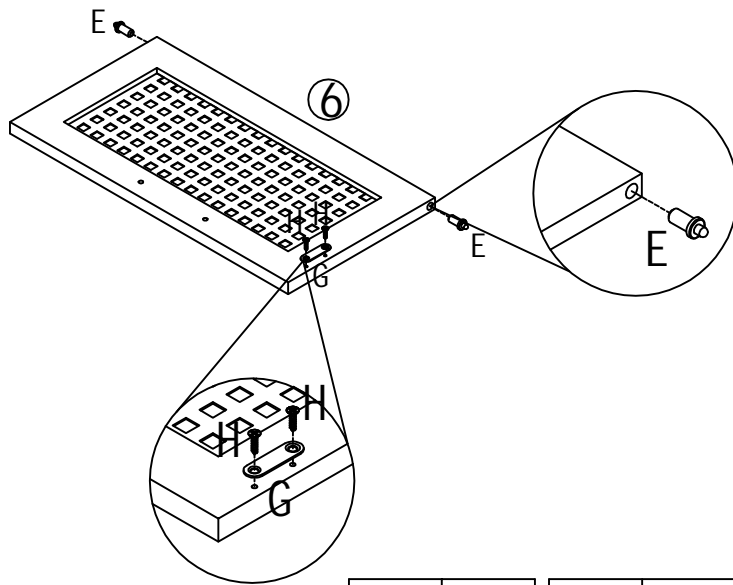
L	x4	J	x1
			
M6x40mm		M4	




10



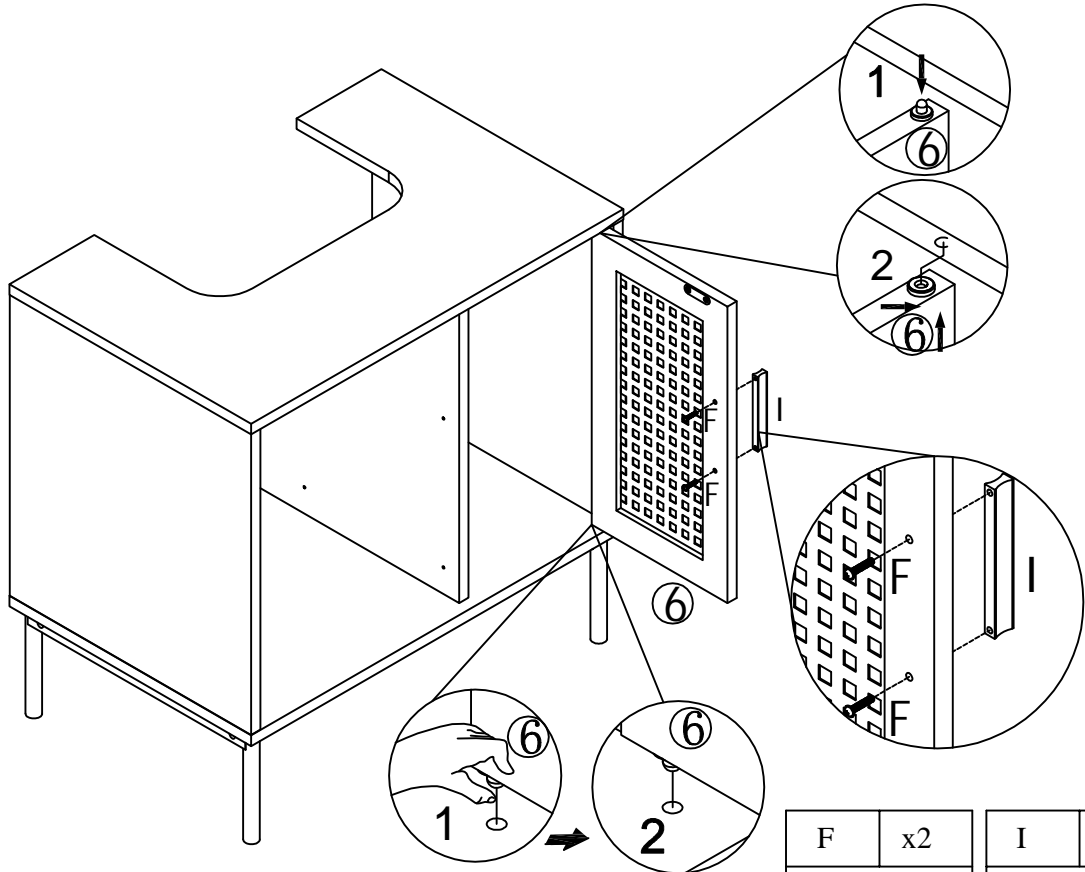
M	x6	J	x1
			
M6x30mm		M4	



11



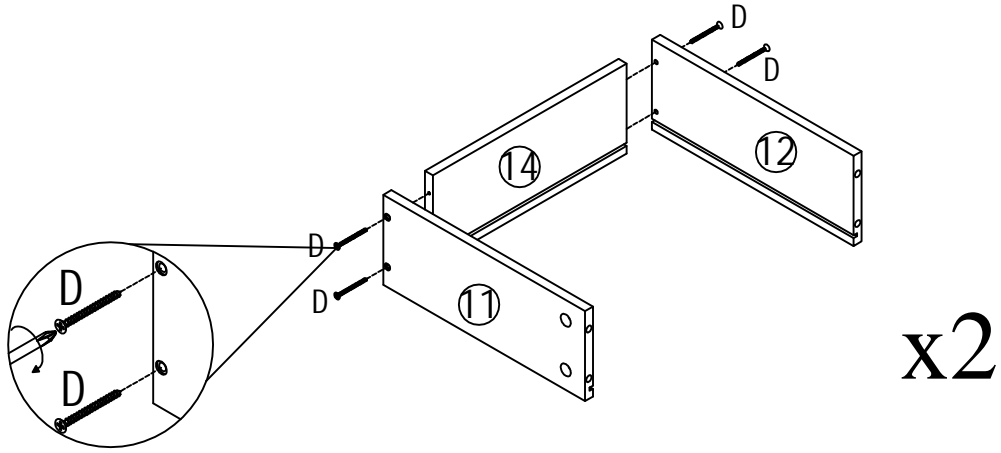
E	x2	H	x2	G	x1
					
		3x14mm		40x11.5x1mm	

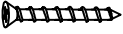
12



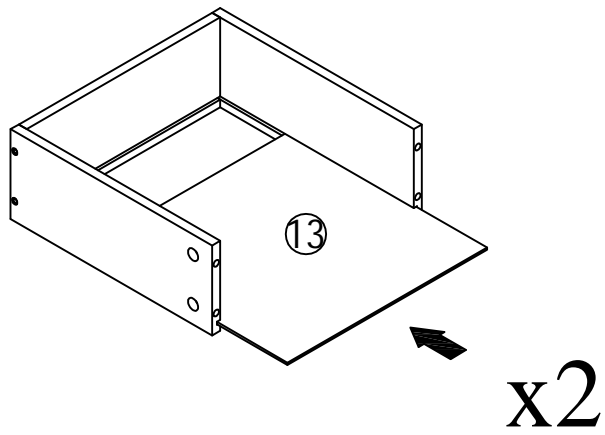
F	x2	I	x1
			
M4x18mm		110x15.5x8mm	

13

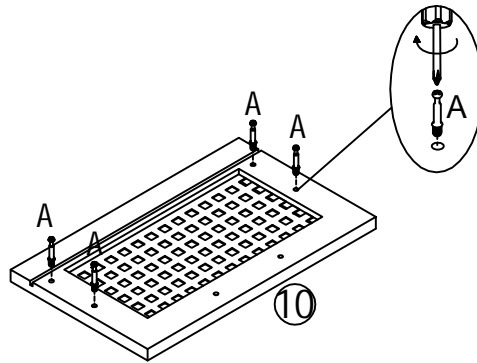


D	x8
	
Ø4x40mm	

14



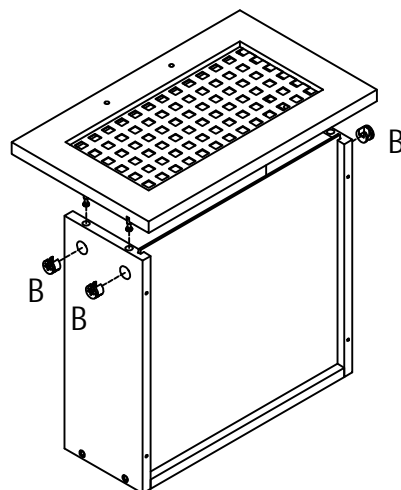
15



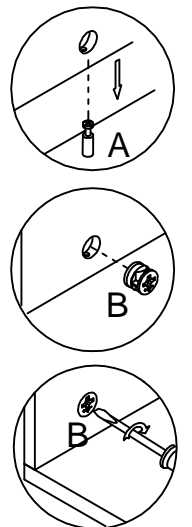
x2

A	x8
Ø6x35mm	

16

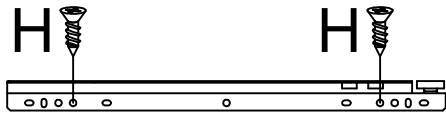


x2

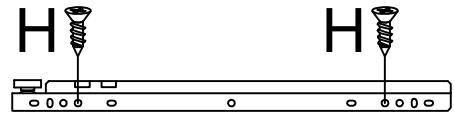


B	x8
Ø15x10mm	

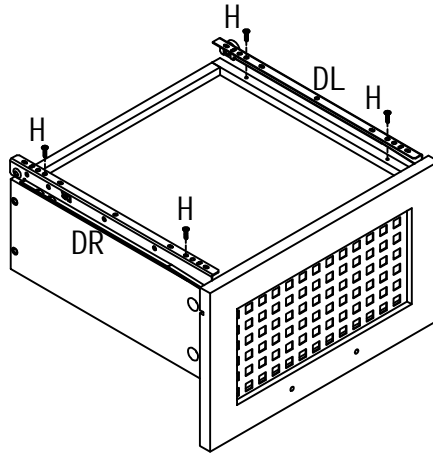
17



DL



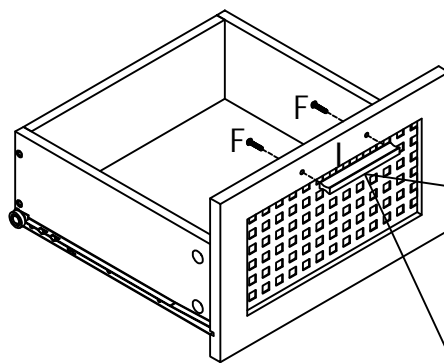
DR



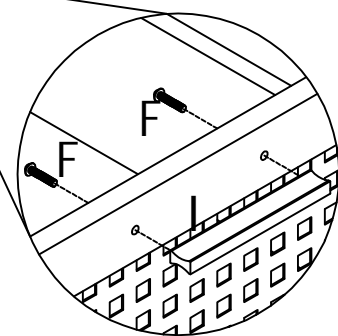
x2

H	x8	DL	x2	DR	x2
Ø3x14mm		300mm		300mm	

18



x2



F	x4	I	x2
M4x18mm		110x15.5x8mm	

