









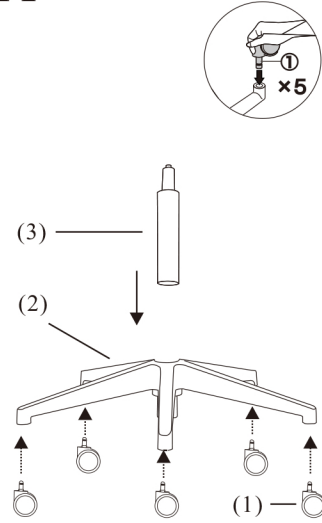
Montageanleitung

SPM1.447 Bürostuhl

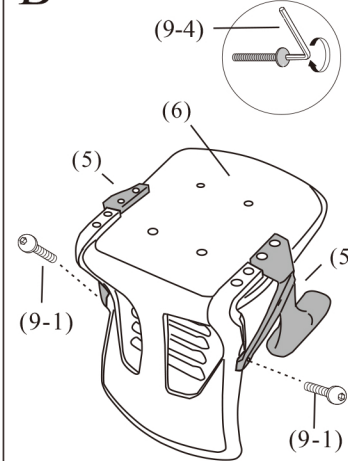
AMSTYLE[®]
A brand of lifestyle Products

(1) Rollen	(2) Fußkreuz	(3) Gasdruckfeder	(4) Mechanik
 X5			
(5) Armlehnen	(6) Sitzfläche	(7) Rückenlehne	(8) Kopfstütze
 X2			

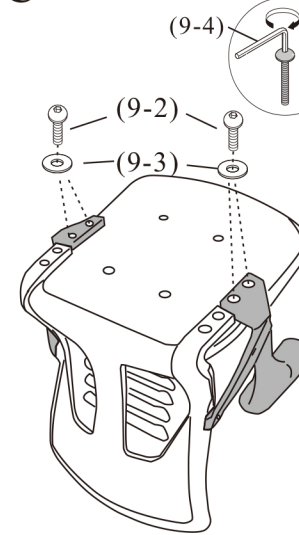
A



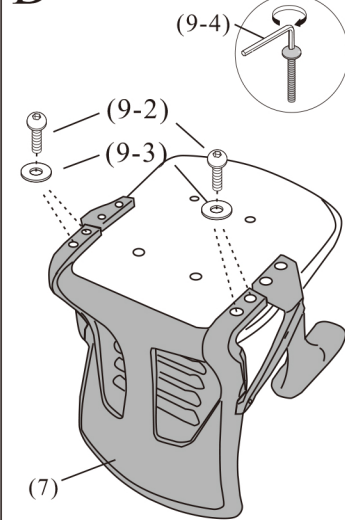
B









C

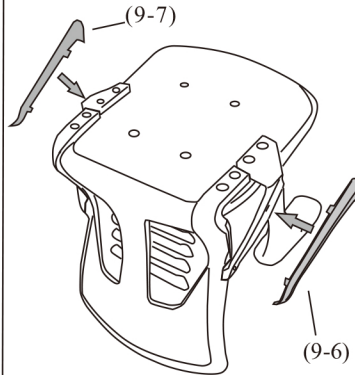


D

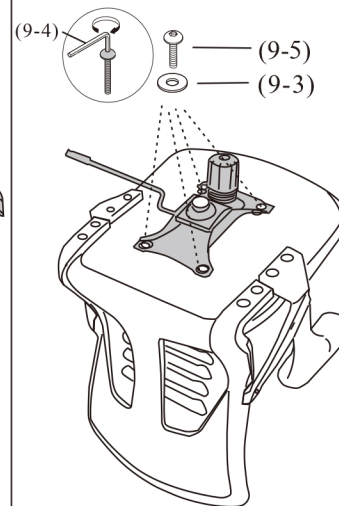


(9-1)		M6*35mm	2
(9-2)		M6*40mm	8
(9-3)		6*16mm	12
(9-4)		5*30*80mm	1
(9-5)		M6*25mm	6
(9-6)		Plastic cover	1

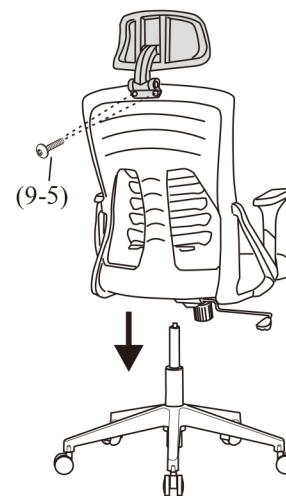
E



F



G



H

