


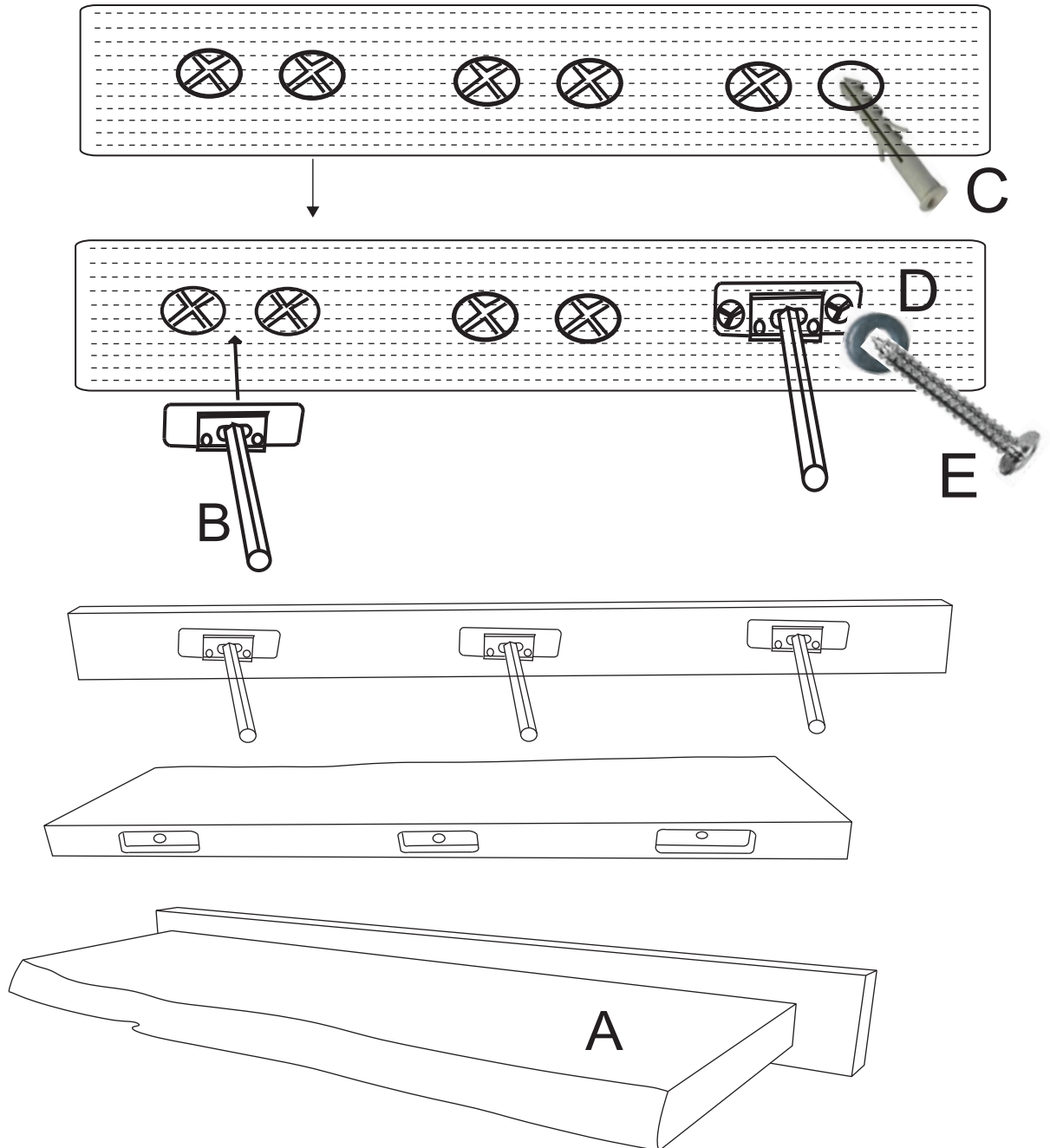


Wandregal

WL6.514 / WL6.515

C. 6 X	D. 6 X	E. 6 X
		



WOHNLING[®]
Möbel zum Wohlfühlen

INVISIBLE SHELF SUPPORT

Dimensions in mm

-Hidden assembly behind the shelf

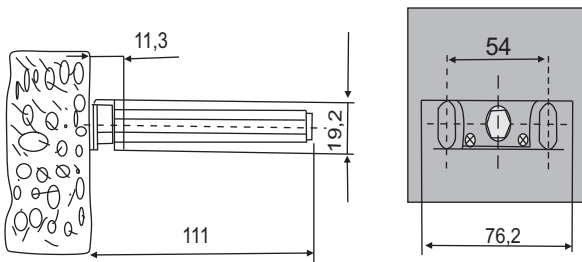
Height adjustment: +/- 4mm

-Lateral adjustment: +/- 4mm

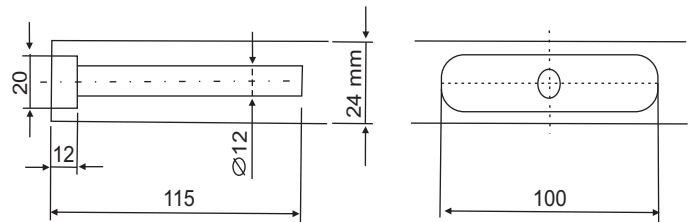
Zinc plated steel



DIMENSIONS



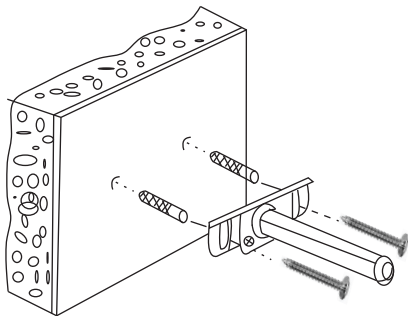
DRILLING PLAN



FIXING

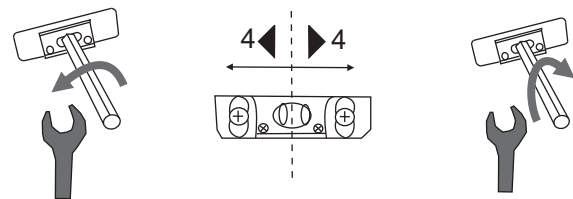
TO CEMENT WALL

With rawlplugs Ø8 & pan head screws Ø5x50mm

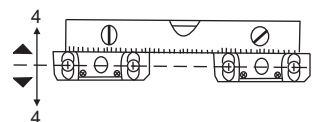


LATERAL ADJUSTMENT

1) Unlock the pin 2) Adjust the shelf laterally 3) Lock the pin



HEIGHT ADJUSTMENT



It is the responsibility of the customer:

- to ensure the wall is of a suitable quality to hold the shelf fixing in place.
- to use the proper hardware fittings according to the construction of the wall.