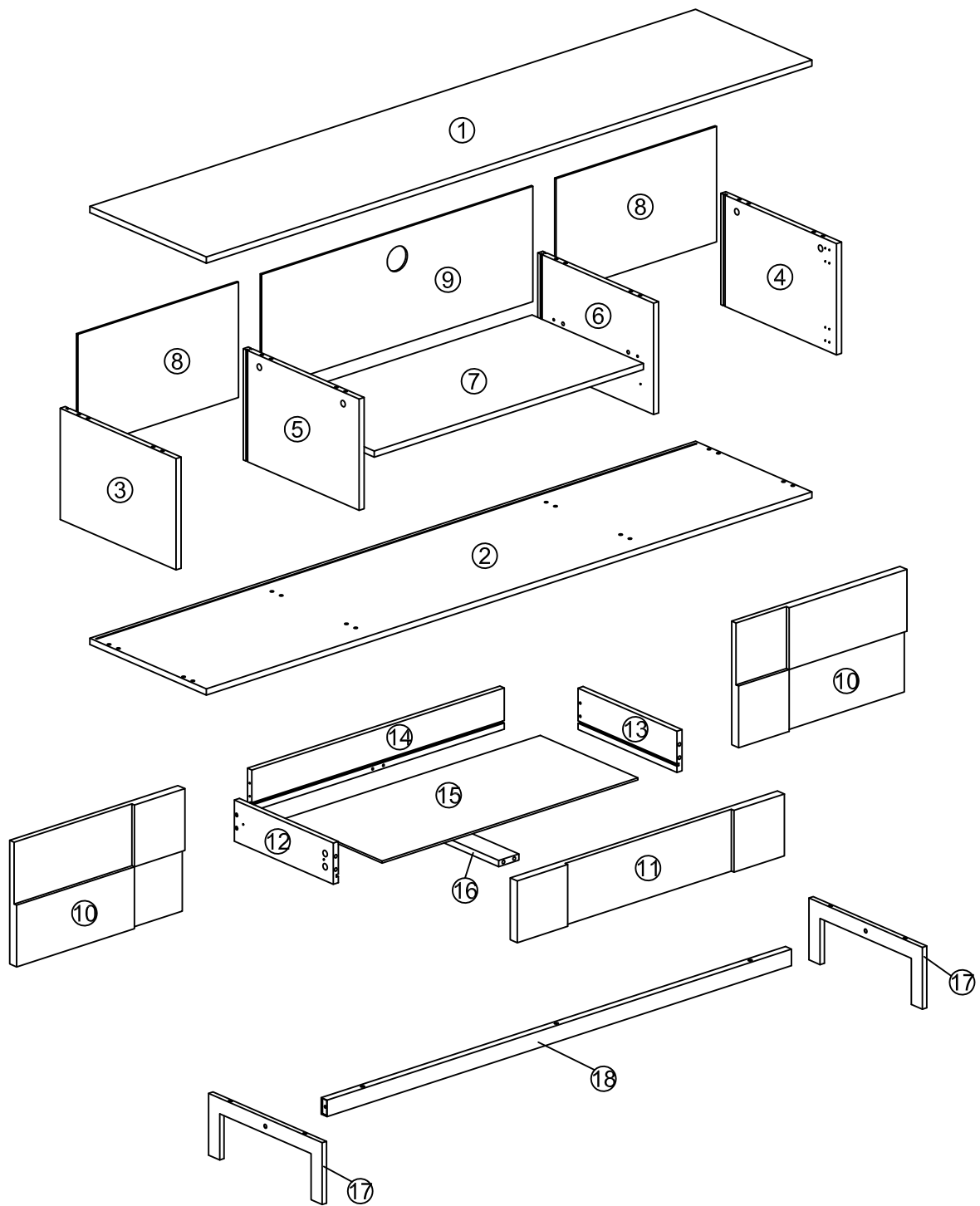
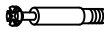



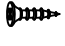



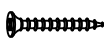

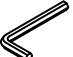
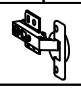


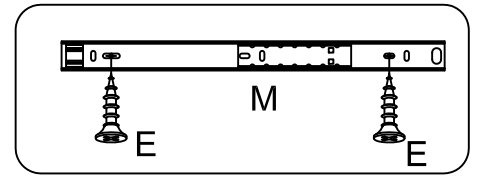
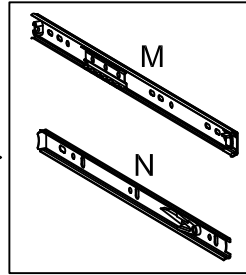
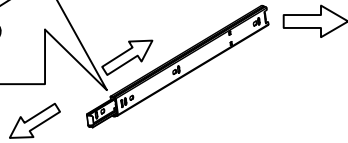
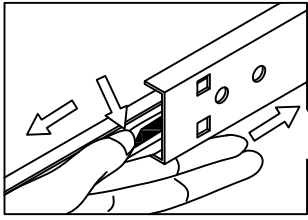


45MNT

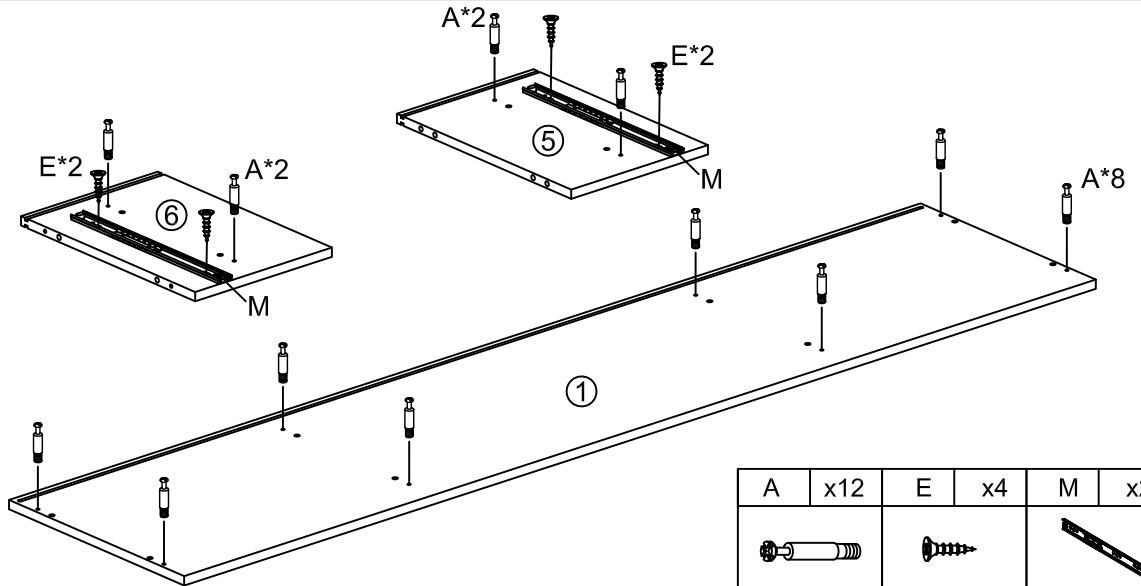


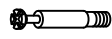




A	x18	B	x18	C	x8	D	x20	E	x44	F	x12	G	x2	H	x7
															
M6*35mm		Ø15mm		7*50mm		Ø8*30mm		Ø3.5*14mm				M6*30mm		M6*48mm	
I	x6	J	x12	K	x1	L	x4	M	x2	N	x2				
															
Ø4*35mm				M4				340mm		340mm					

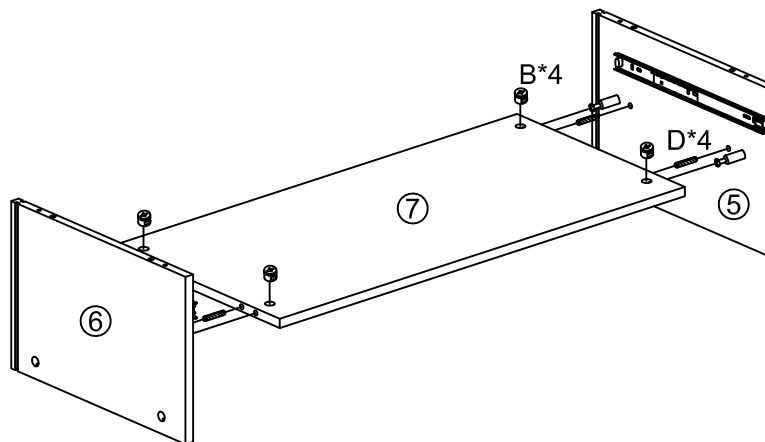
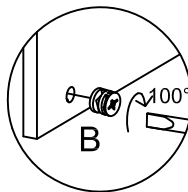



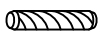
1



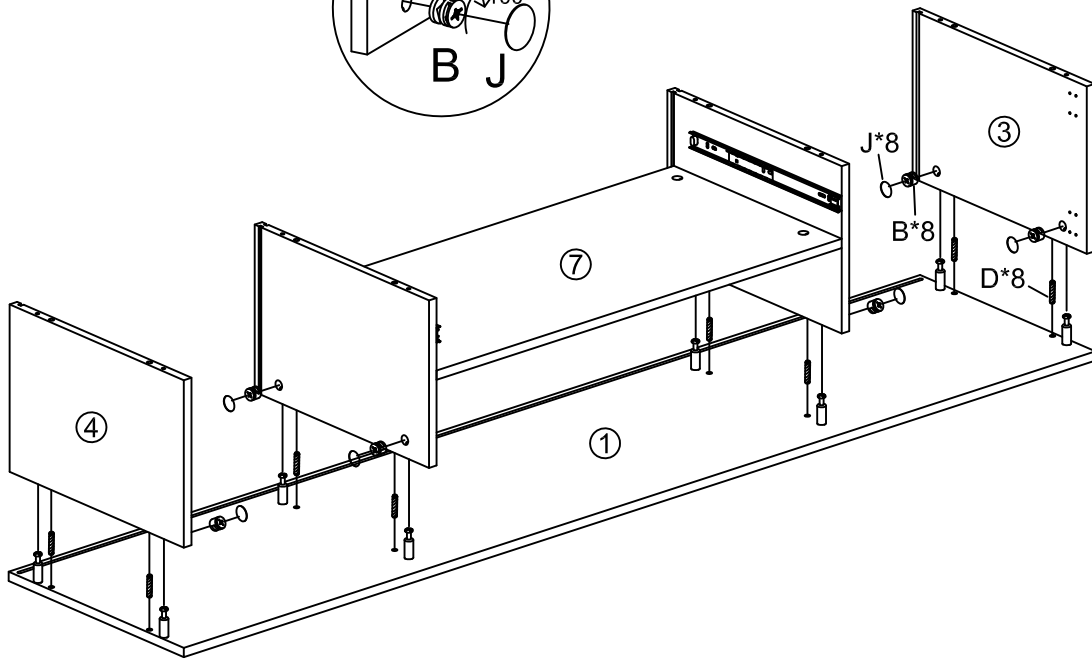
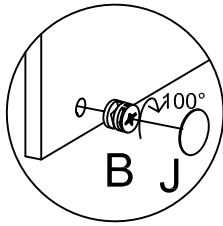
A	x12	E	x4	M	x2
					
M6*35mm		Ø3.5*14mm		340mm	




2



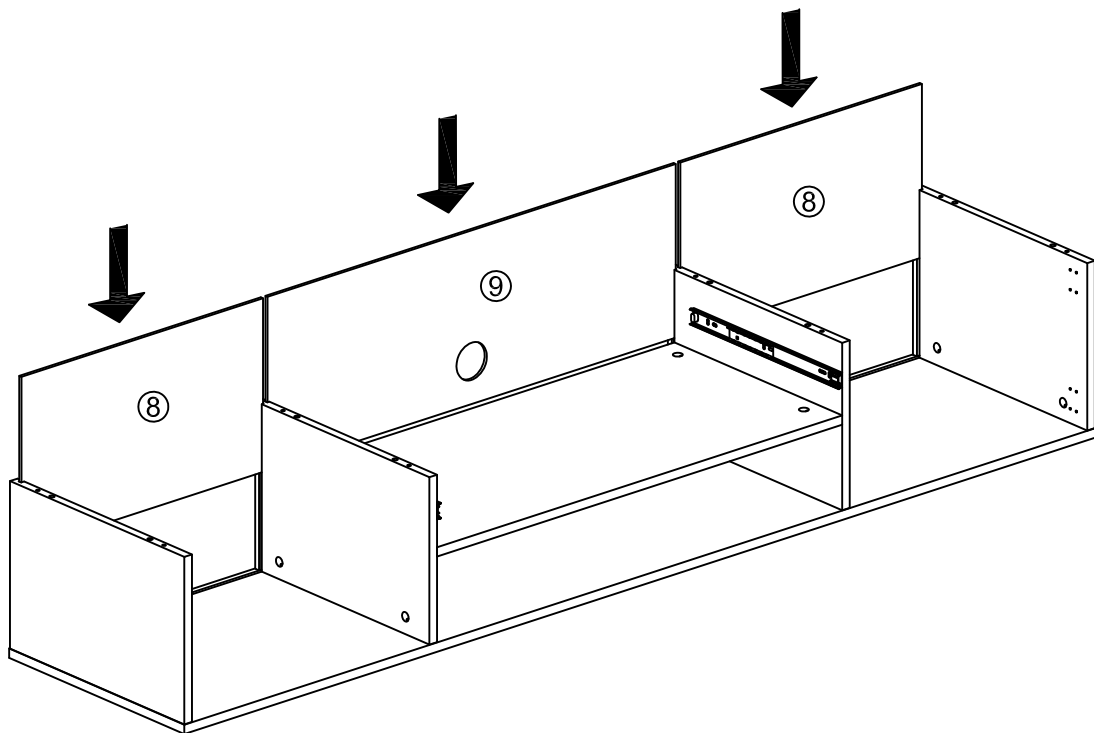
B	x4	D	x4
			
Ø15mm		Ø8*30mm	

3

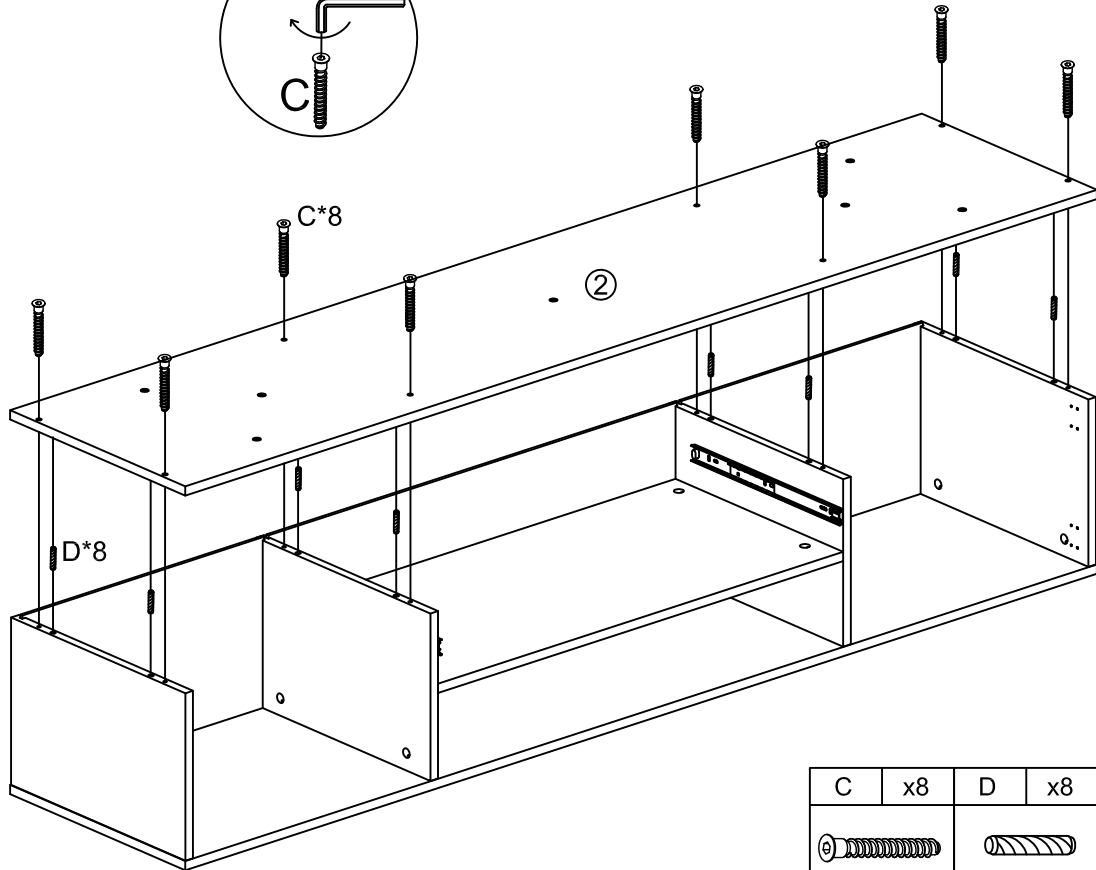
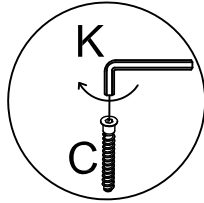


B	x8	D	x8	J	x8
					
Ø15mm		Ø8*30mm			

4

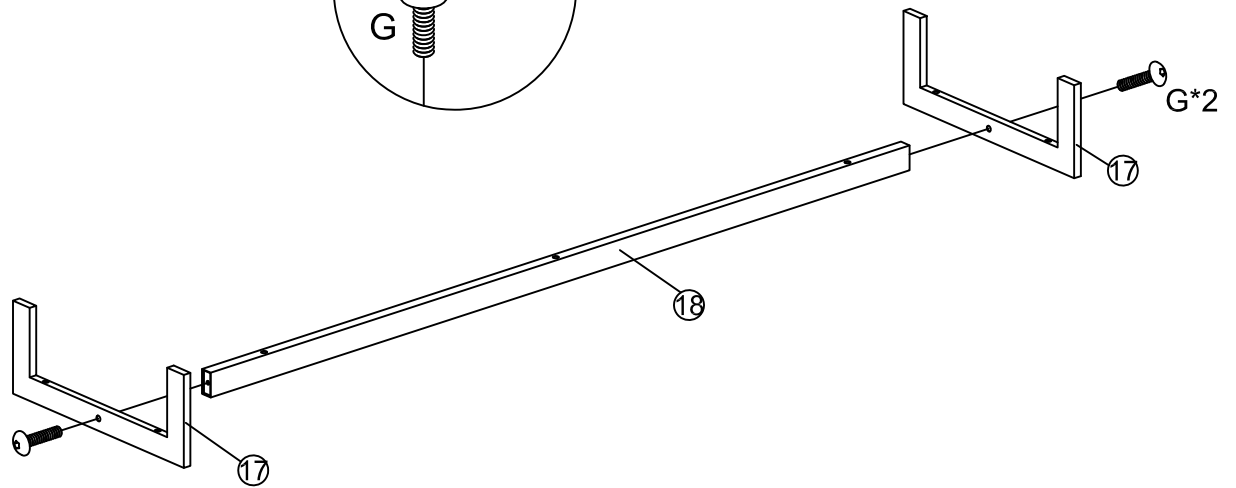
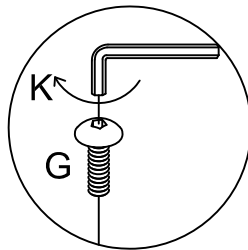


5



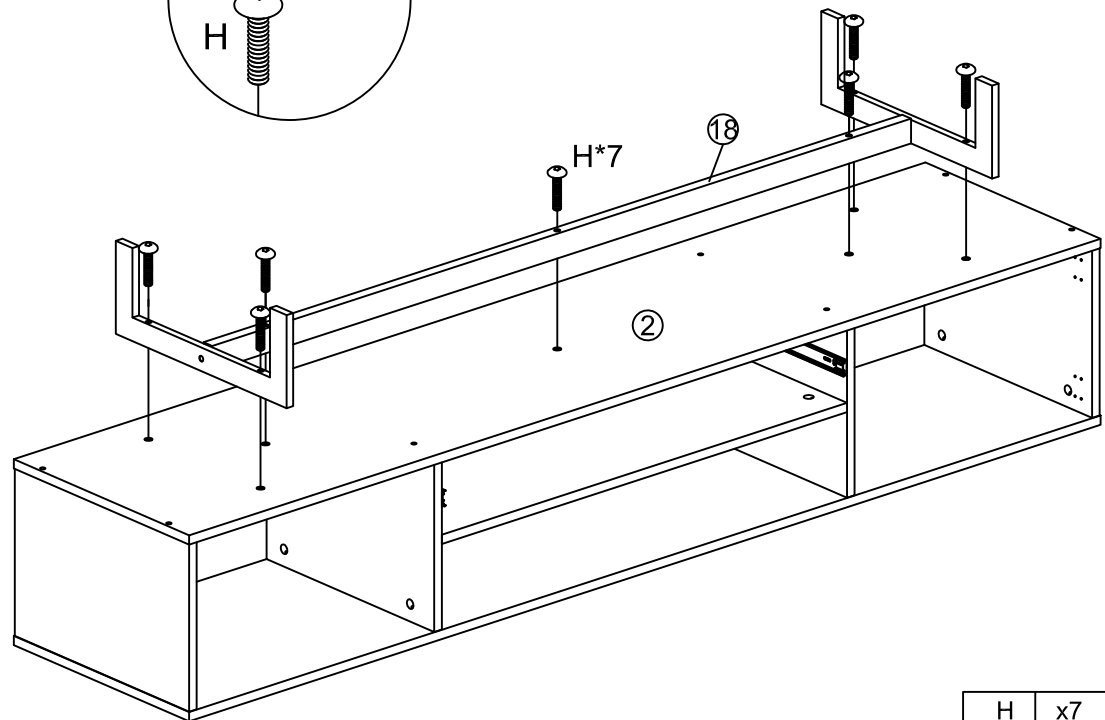
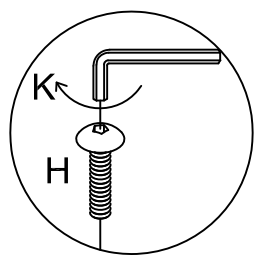
C	x8	D	x8	K	x1
7*50mm		Ø8*30mm		M4	

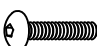

6



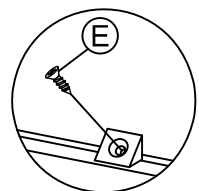
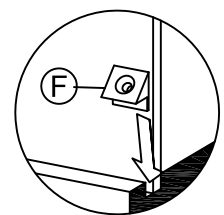
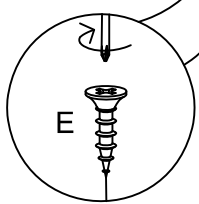
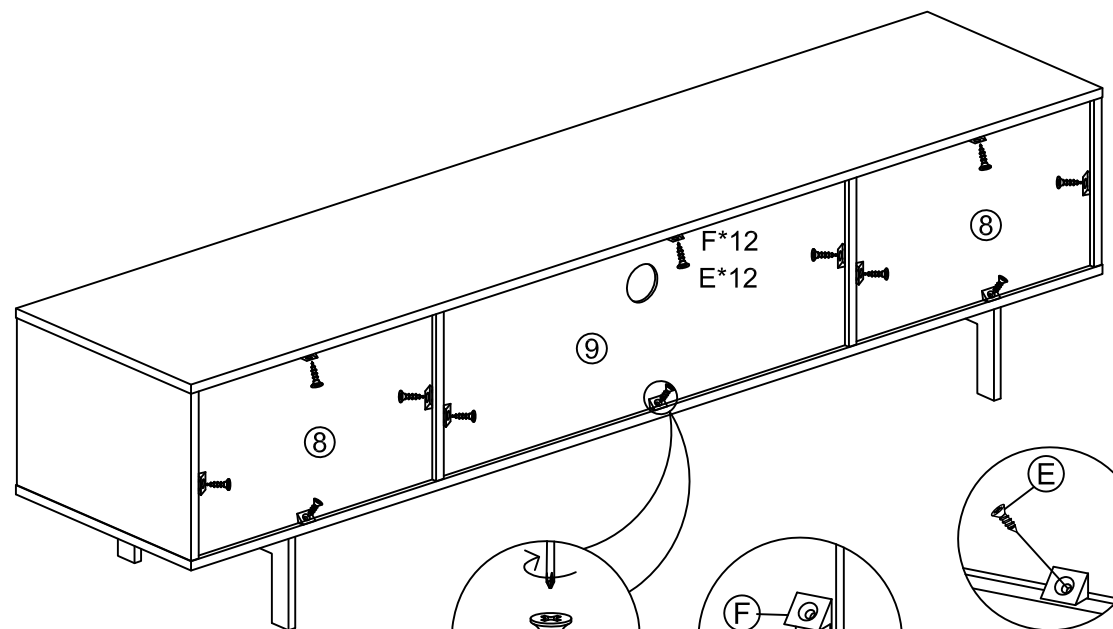
G	x2	K	x1
M6*30mm		M4	



7



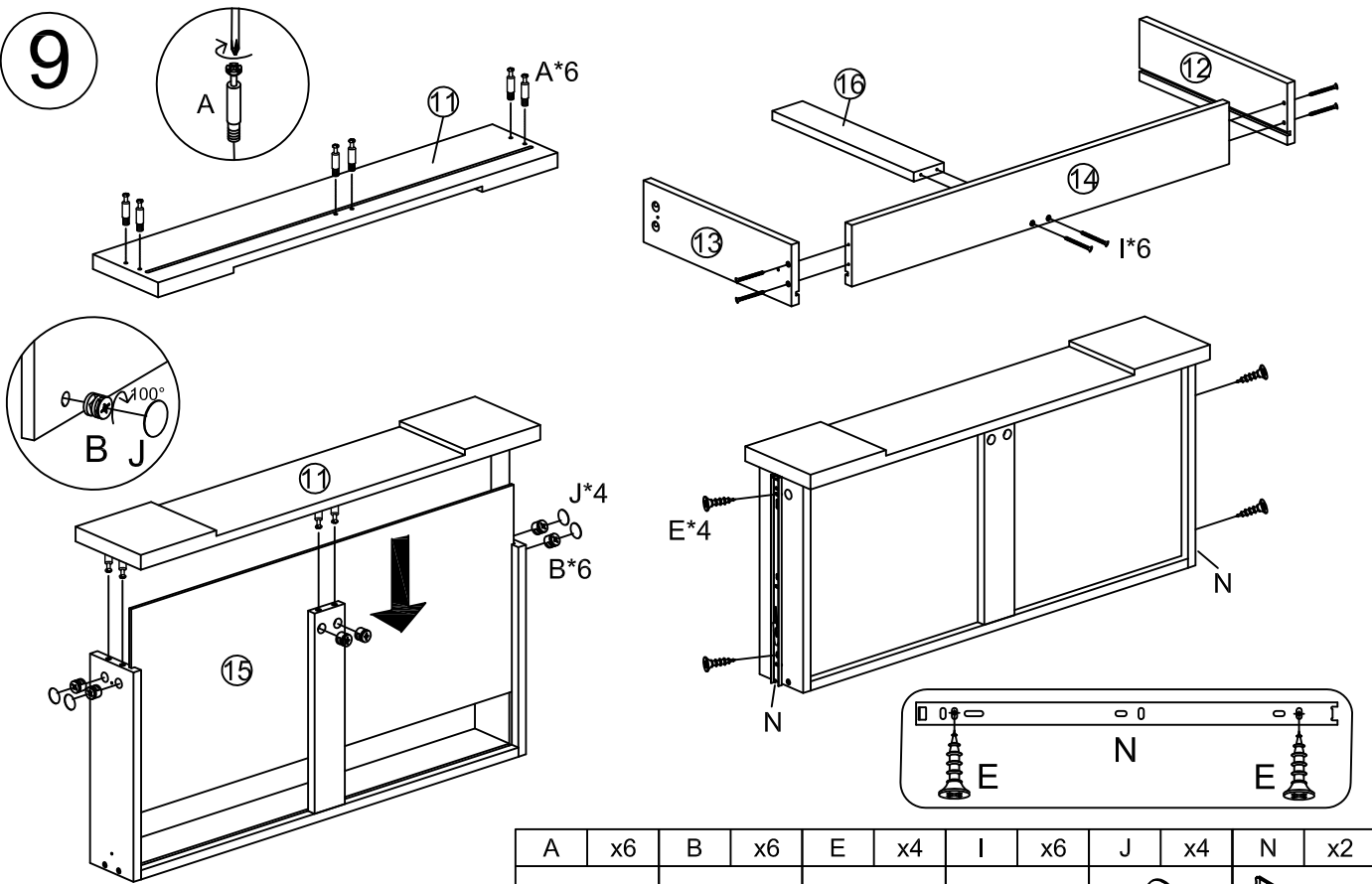
H	x7	K	x1
			
M6*48mm		M4	

8



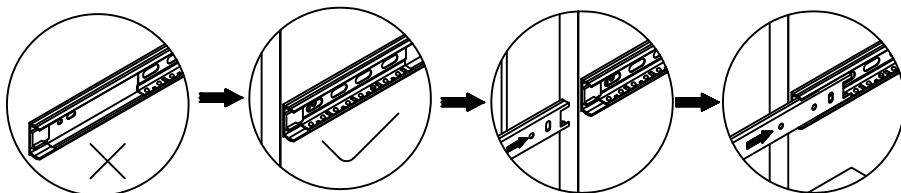
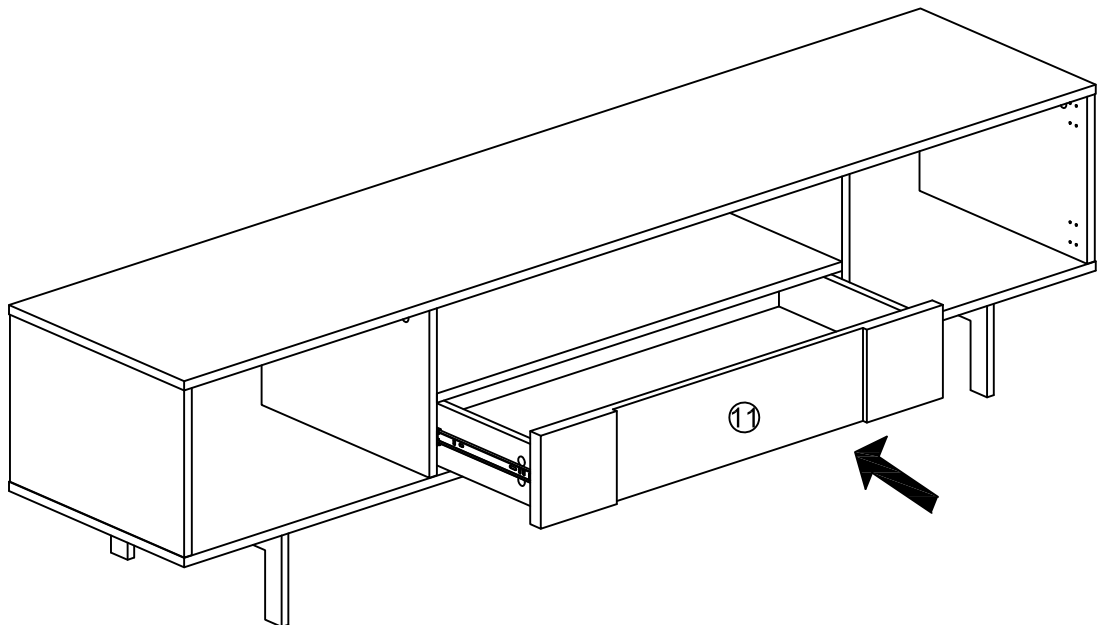
E	x12	F	x12
			
Ø3.5*14mm			

9

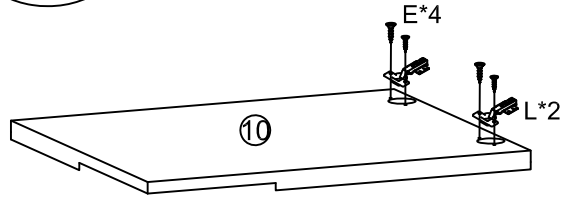
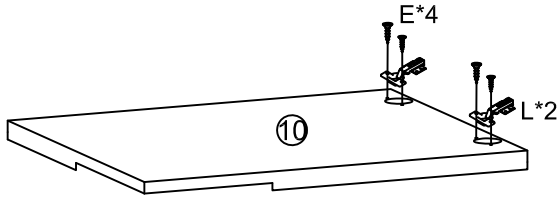
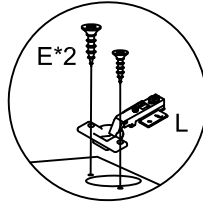




A	x6	B	x6	E	x4	I	x6	J	x4	N	x2
M6*35mm		φ15mm		φ3.5*14mm		M4*35mm		φ20		340mm	

10

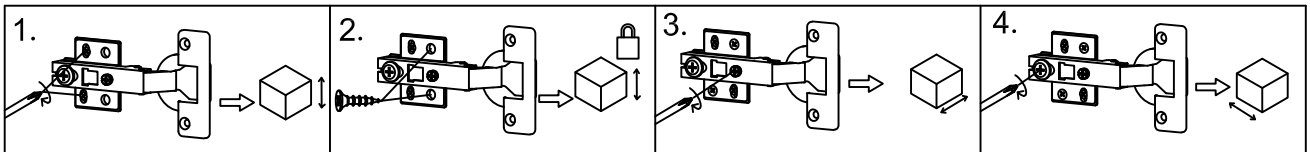
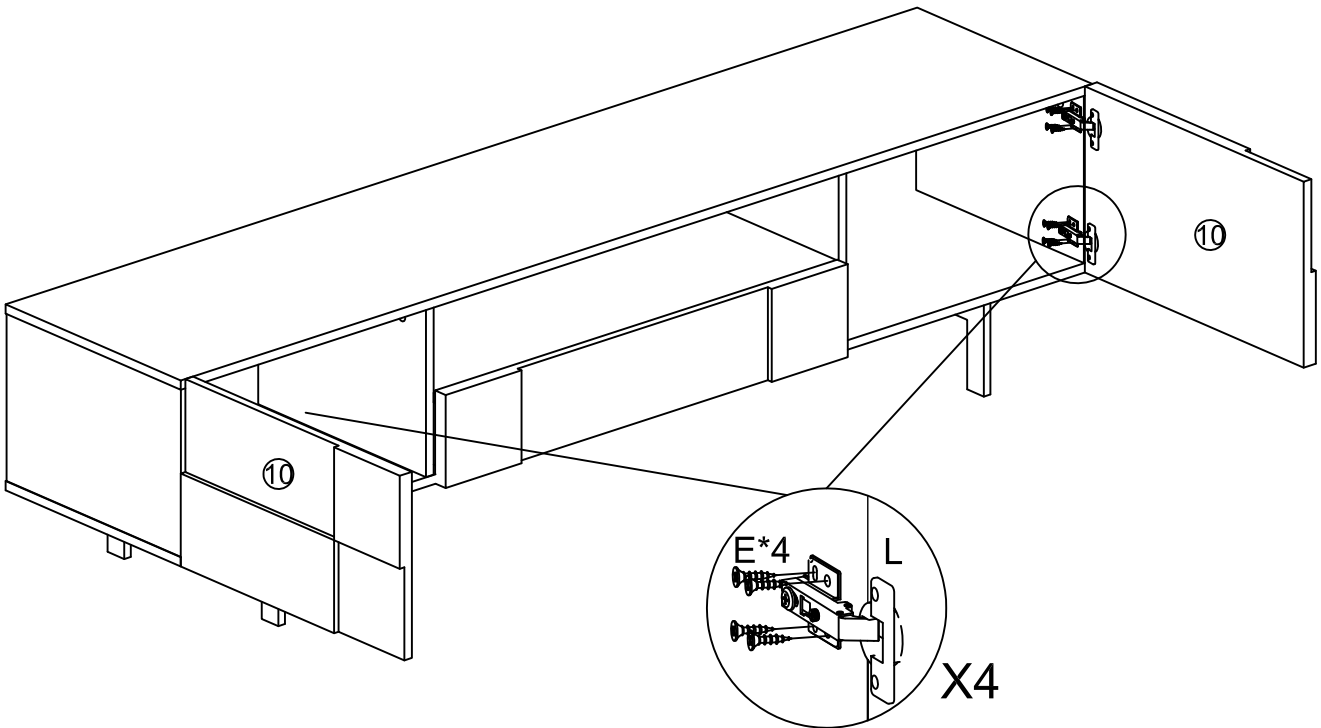


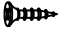
11



E	x8	L	x4
			
Ø3.5*14mm			

12



E	x16
	
Ø3.5*14mm	