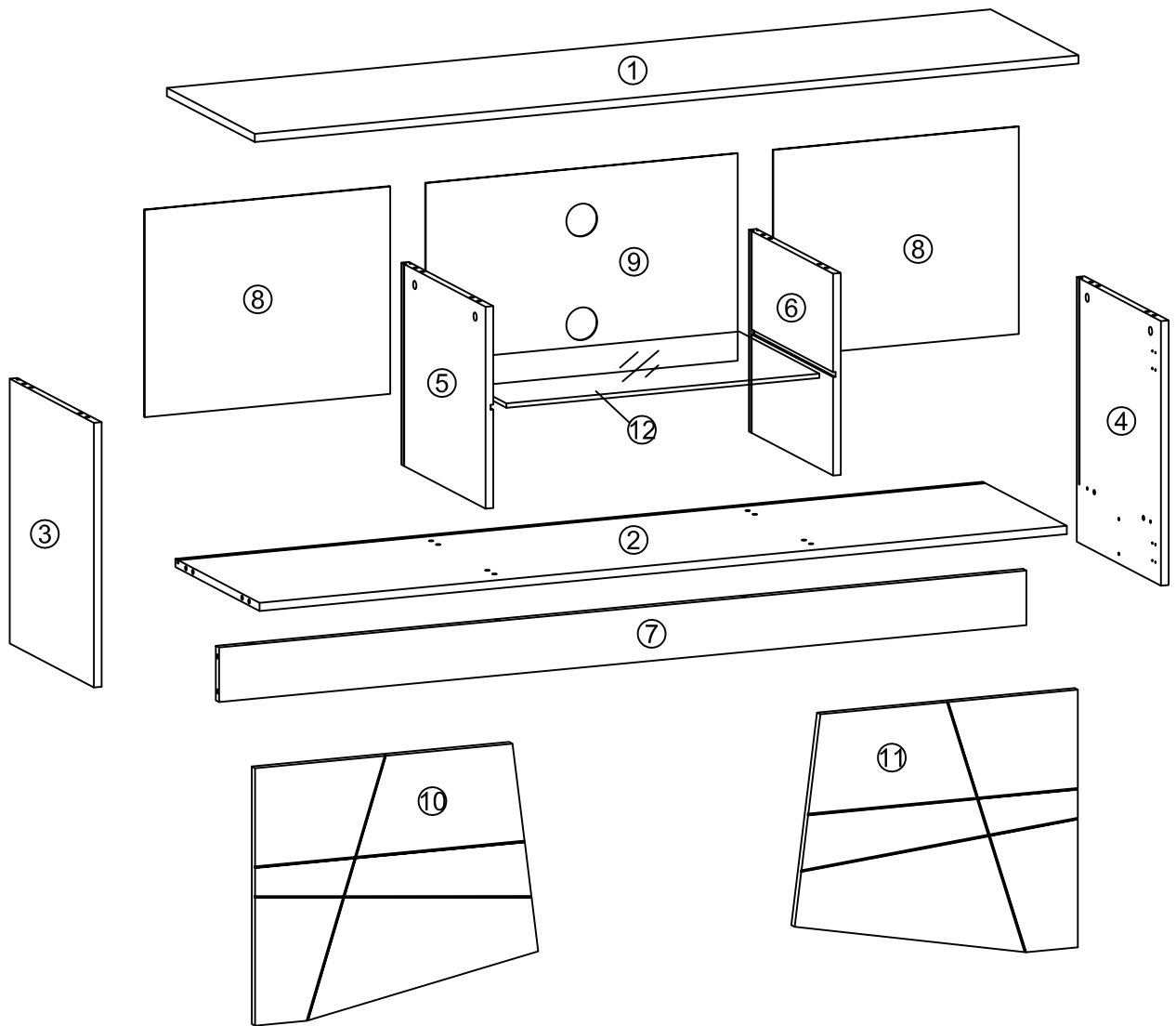


45MNT





A	x20
M6*35mm	

B	x20
Ø15mm	

C	x4
7*50mm	

D	x16
Ø8*30mm	

E	x36
Ø3.5*14mm	

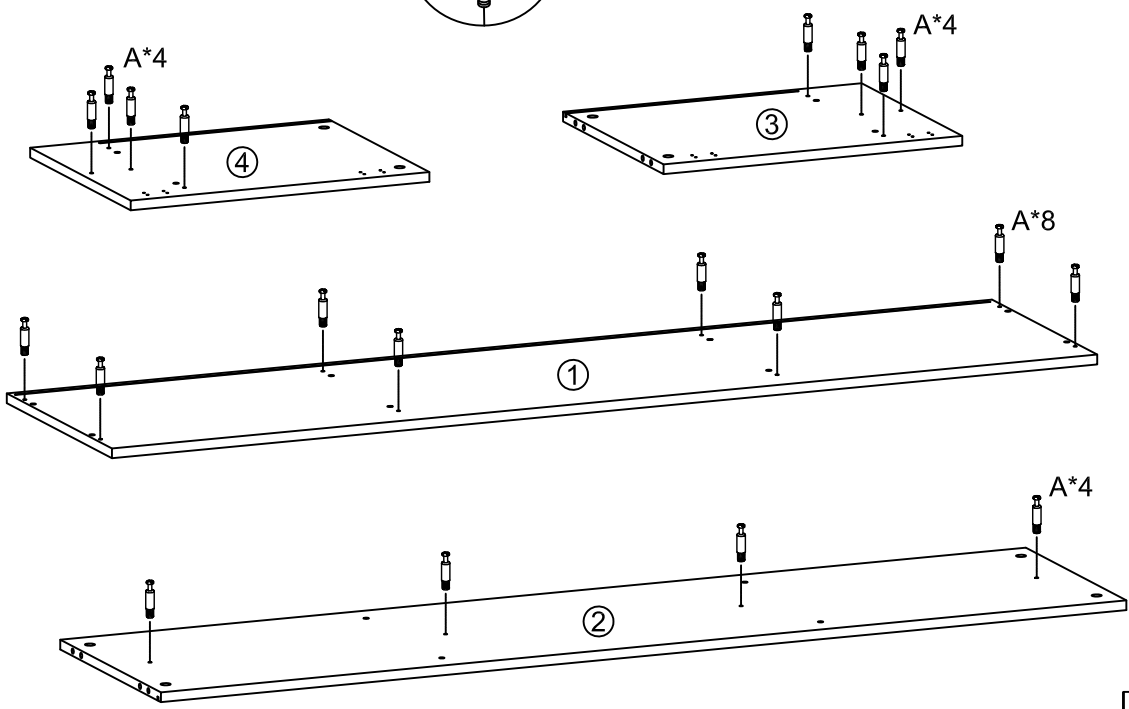
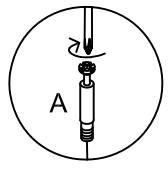
F	x4

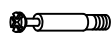
G	x8

H	x1
M4	

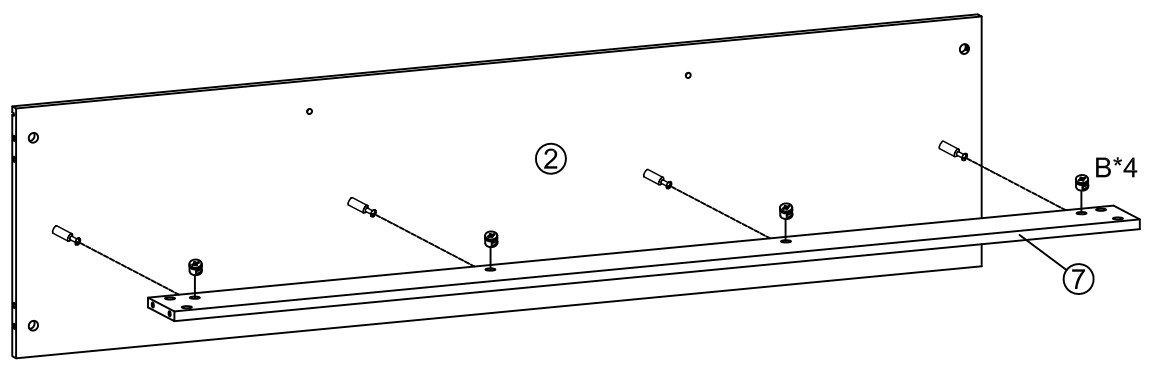
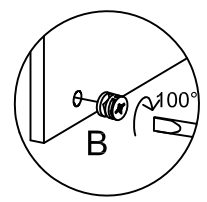
I	x12


1



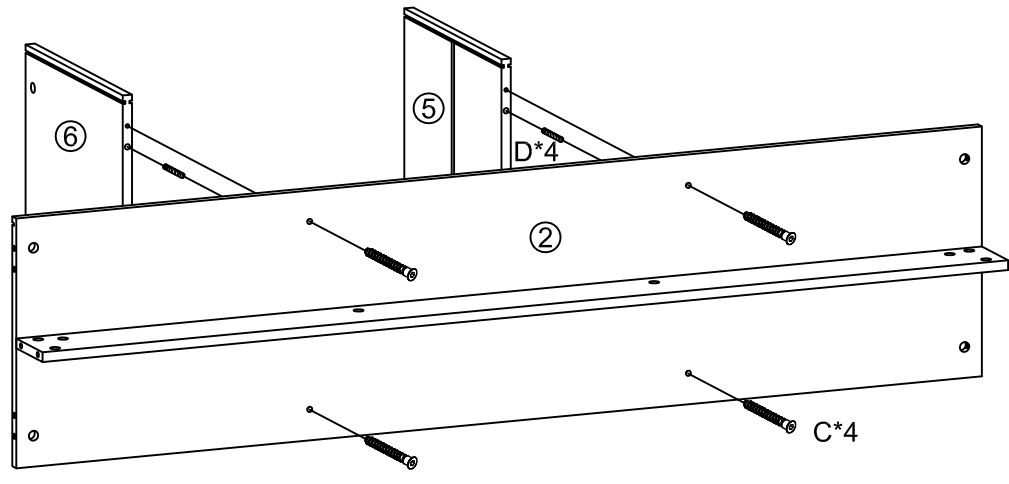
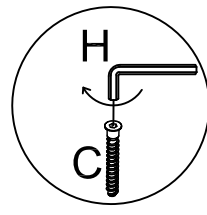
A	x20
	
M6*35mm	

2



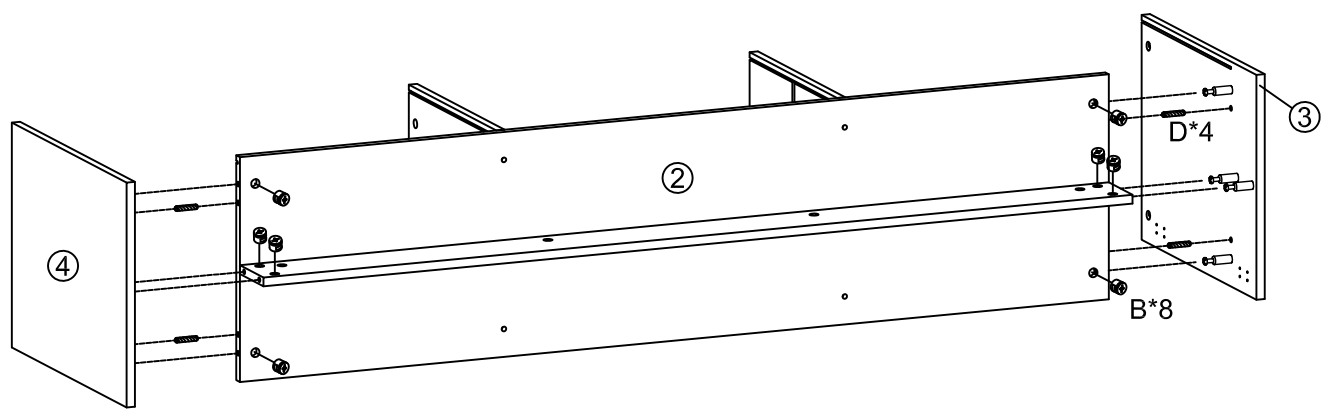
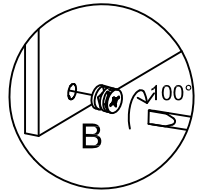
B	x4
	
Ø15mm	

3



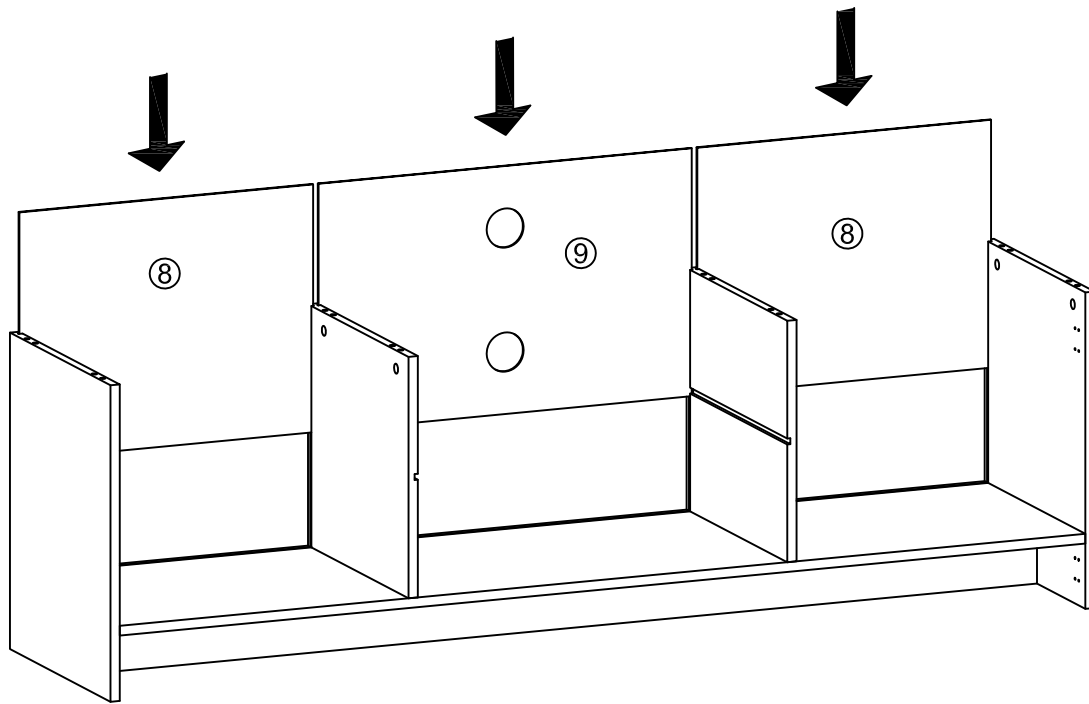
C	x4	D	x4	H	x1
7*50mm		Ø8*30mm		M4	

4

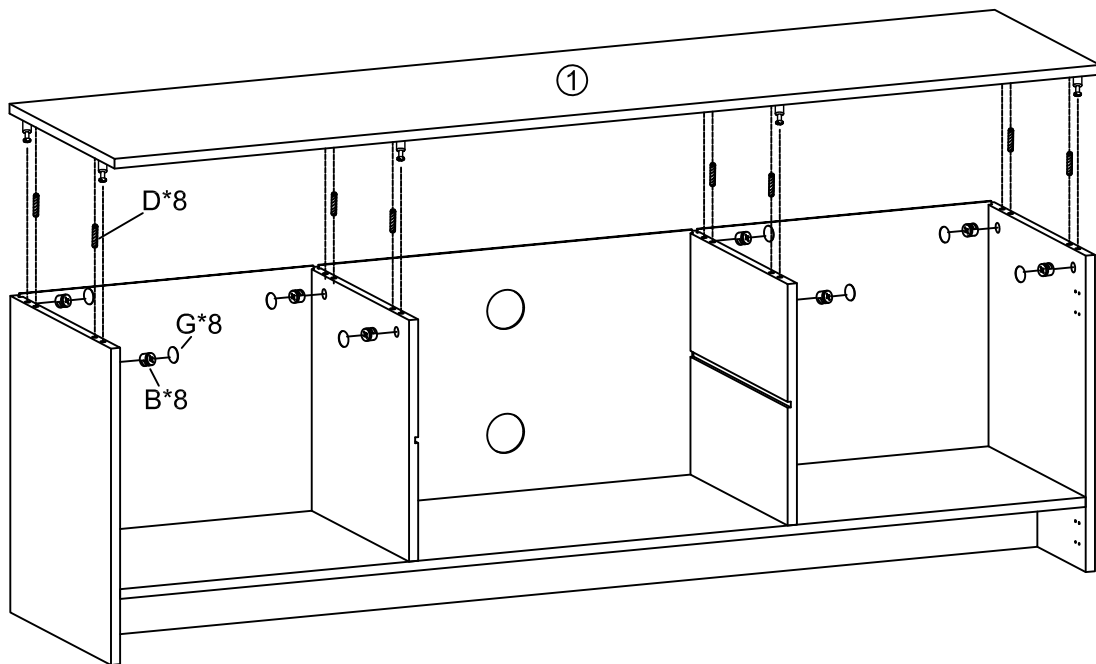
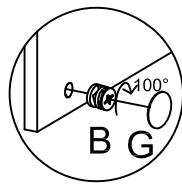



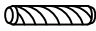

B	x8	D	x4
Ø15mm		Ø8*30mm	

5

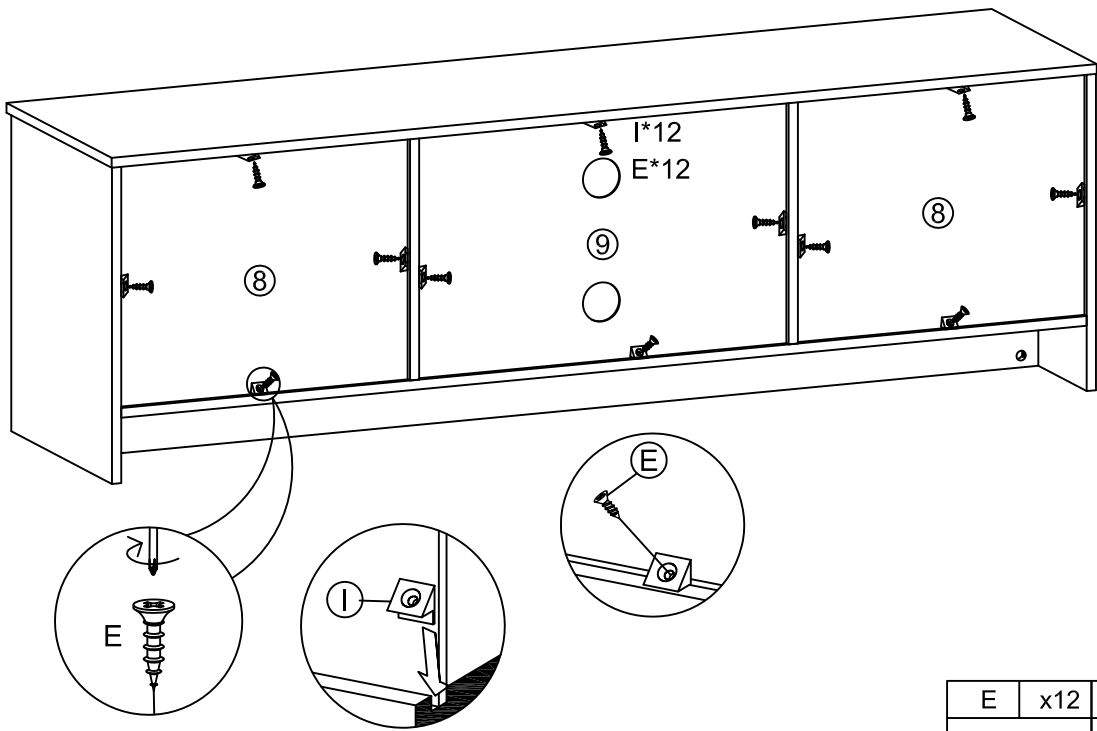




6



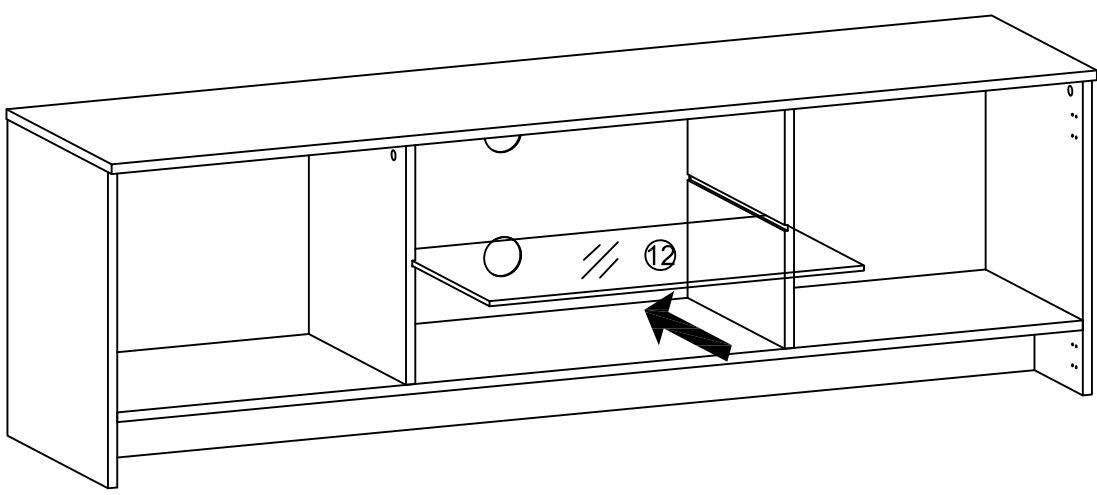
B	x8	D	x8	G	x8
					
Ø15mm		Ø8*30mm			

7

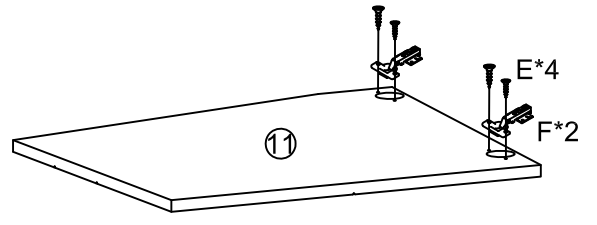
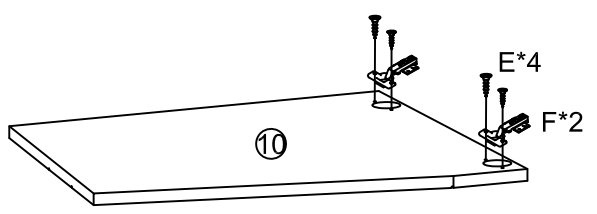
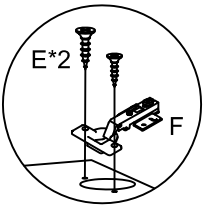




E	x12	I	x12
			
Ø3.5*14mm			

8

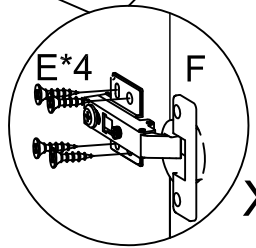
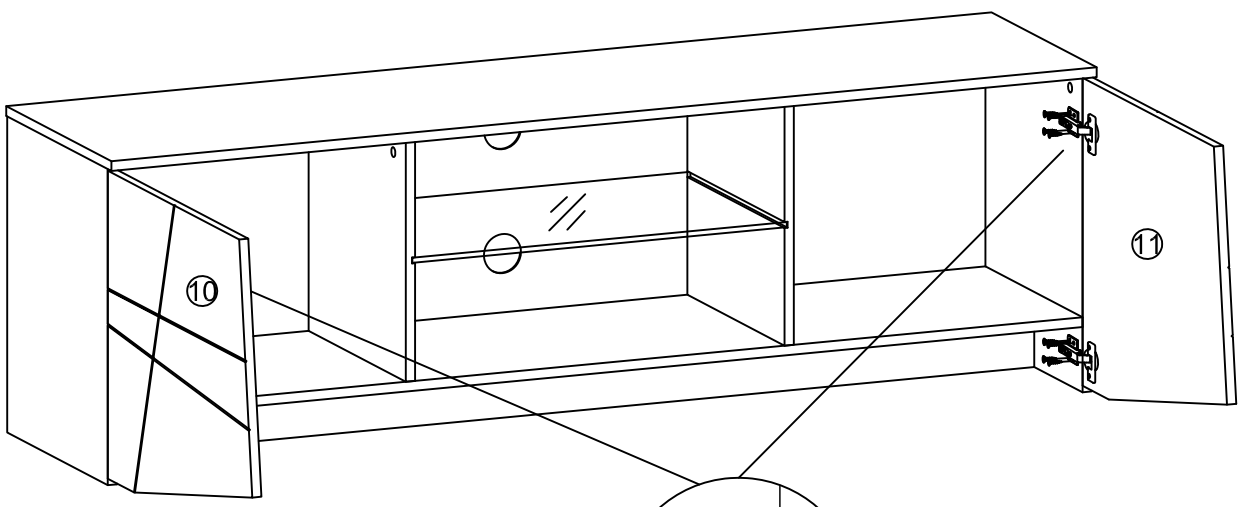


9

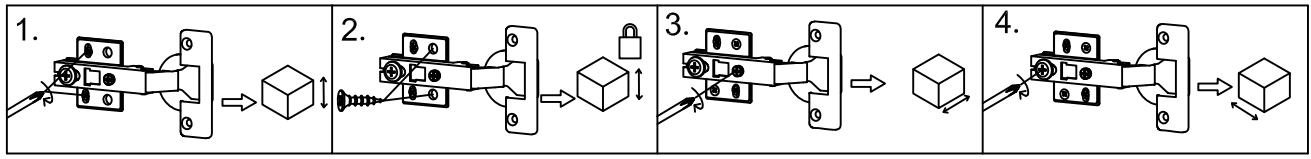


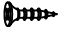
E	x8	F	x4
			
$\text{\O}3.5*14\text{mm}$			

10



X4



E	x16
	
$\text{\O}3.5*14\text{mm}$	