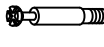



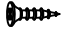

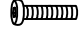





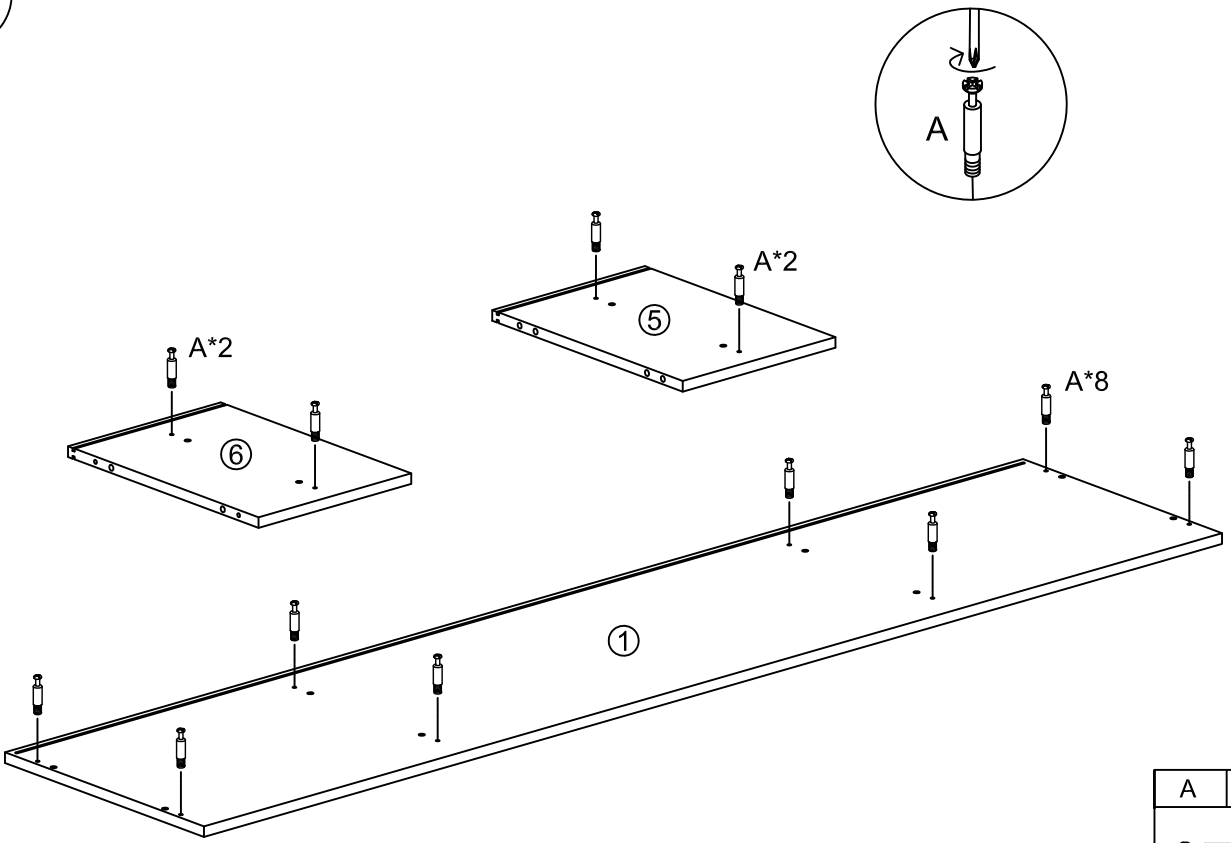
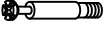


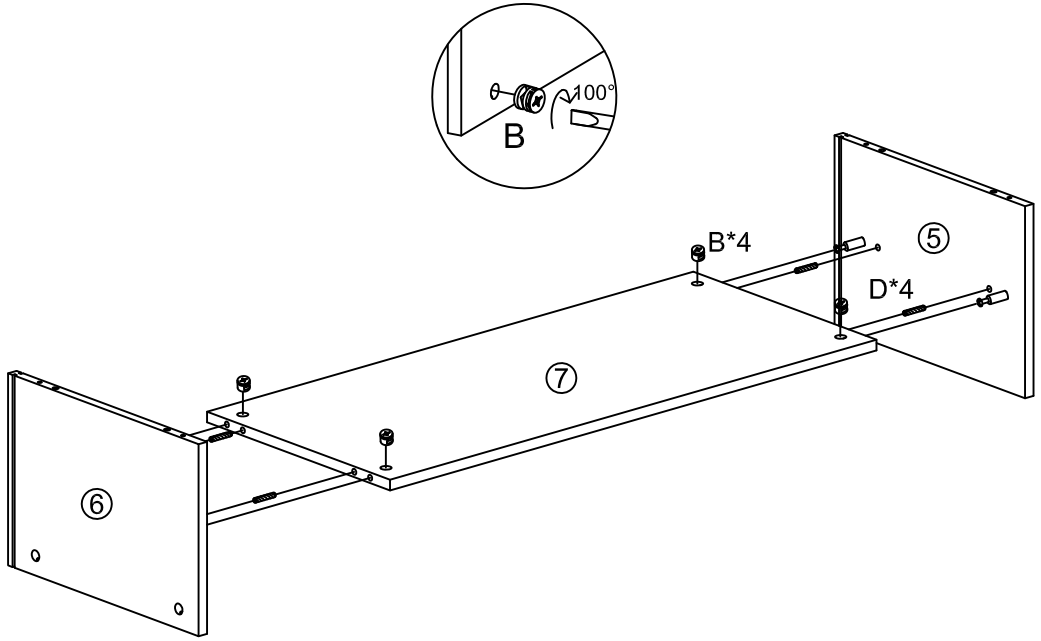
A	x12	B	x12	C	x8	D	x20	E	x36	F	x12	G	x2	H	x7
															
M6*35mm		Ø15mm		7*50mm		Ø8*30mm		Ø3.5*14mm				M6*30mm		M6*50mm	
I	x9	J	x8	K	x1	L	x4								
															
				M4											


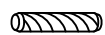
1



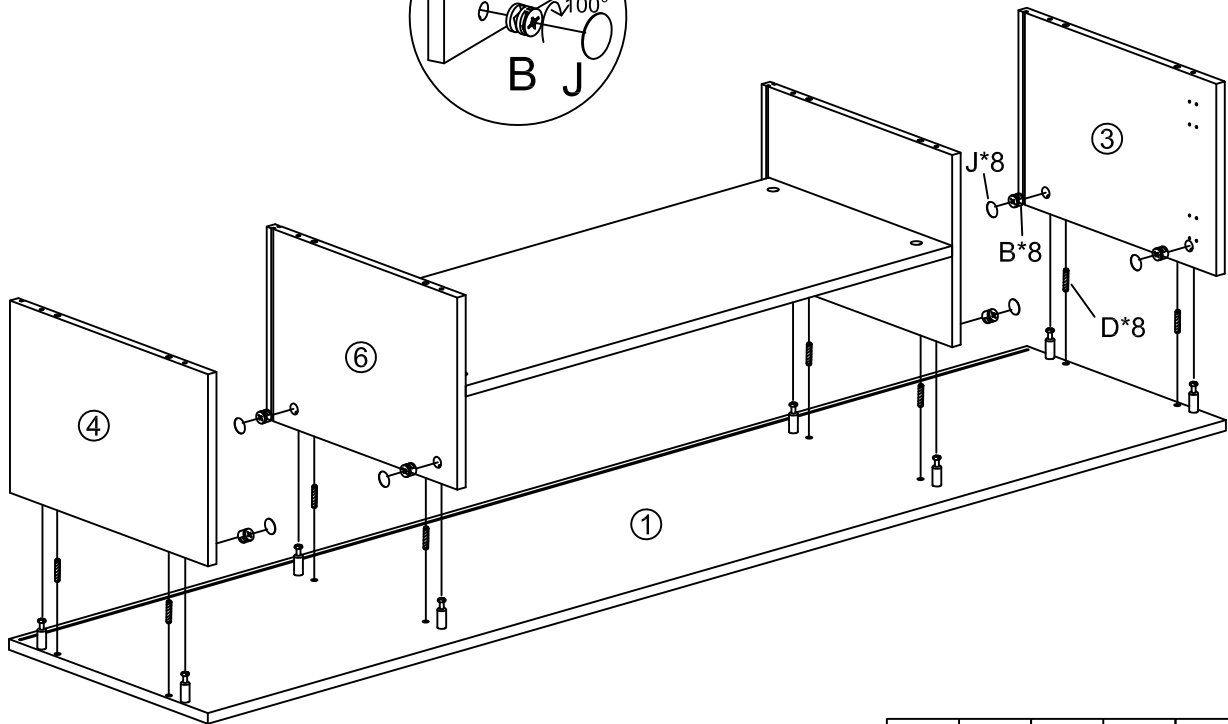
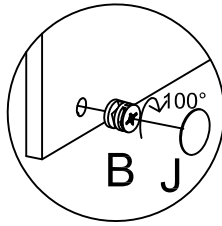
A	x12
	
M6*35mm	




2



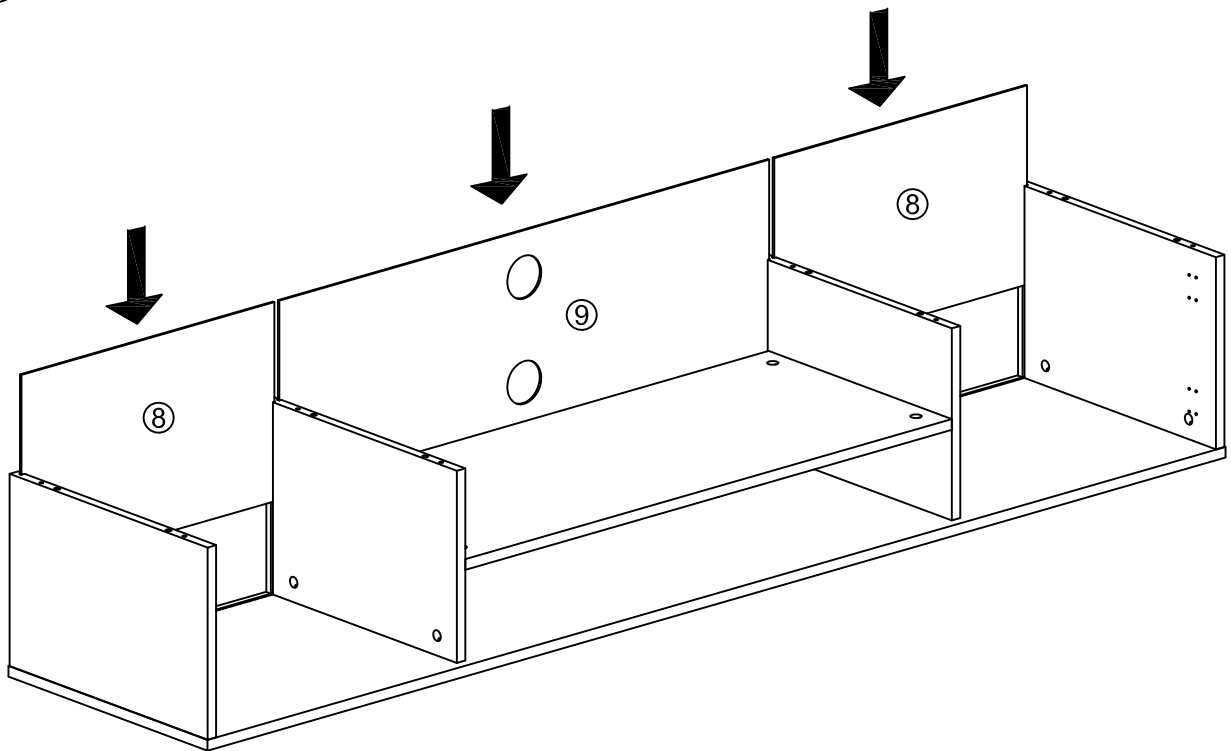
B	x4	D	x4
			
Ø15mm		Ø8*30mm	

3

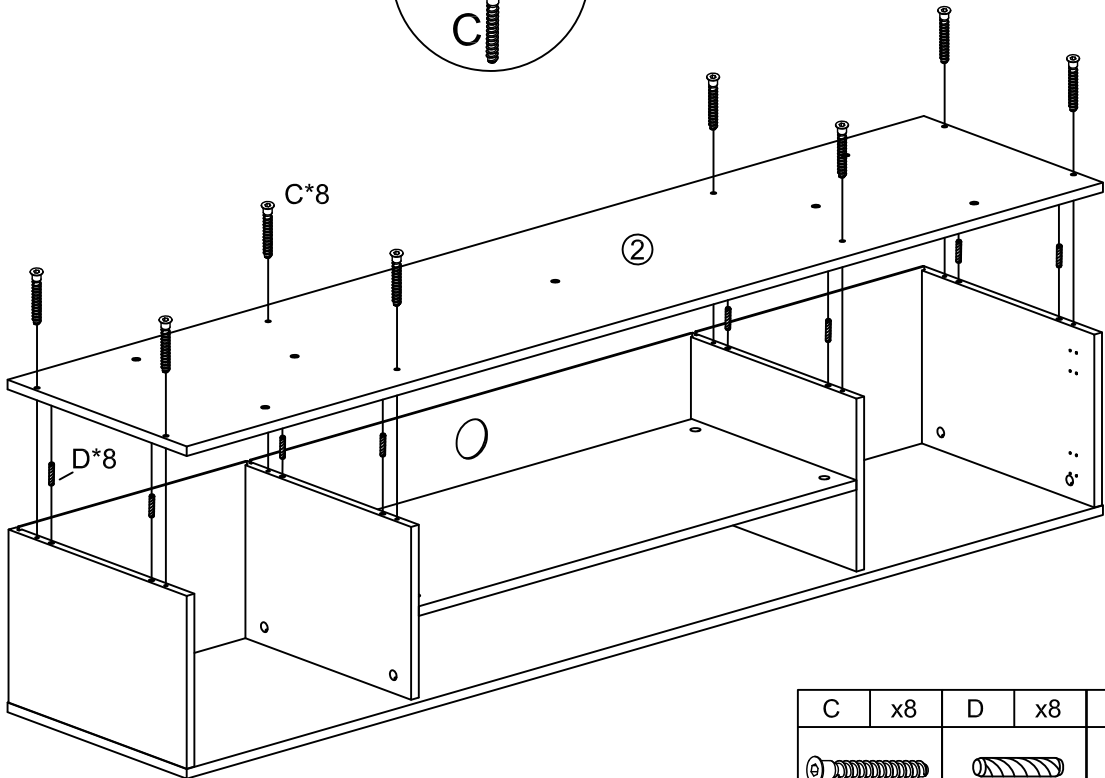
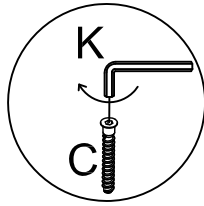


B	x8	D	x8	J	x8
					
Ø15mm		Ø8*30mm			

4

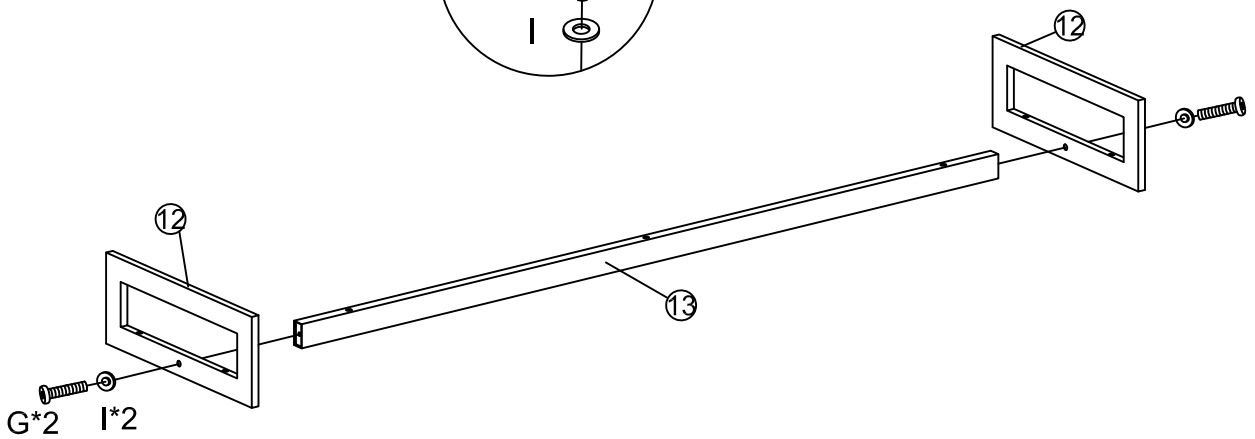
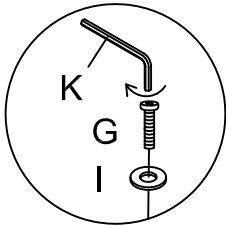


5



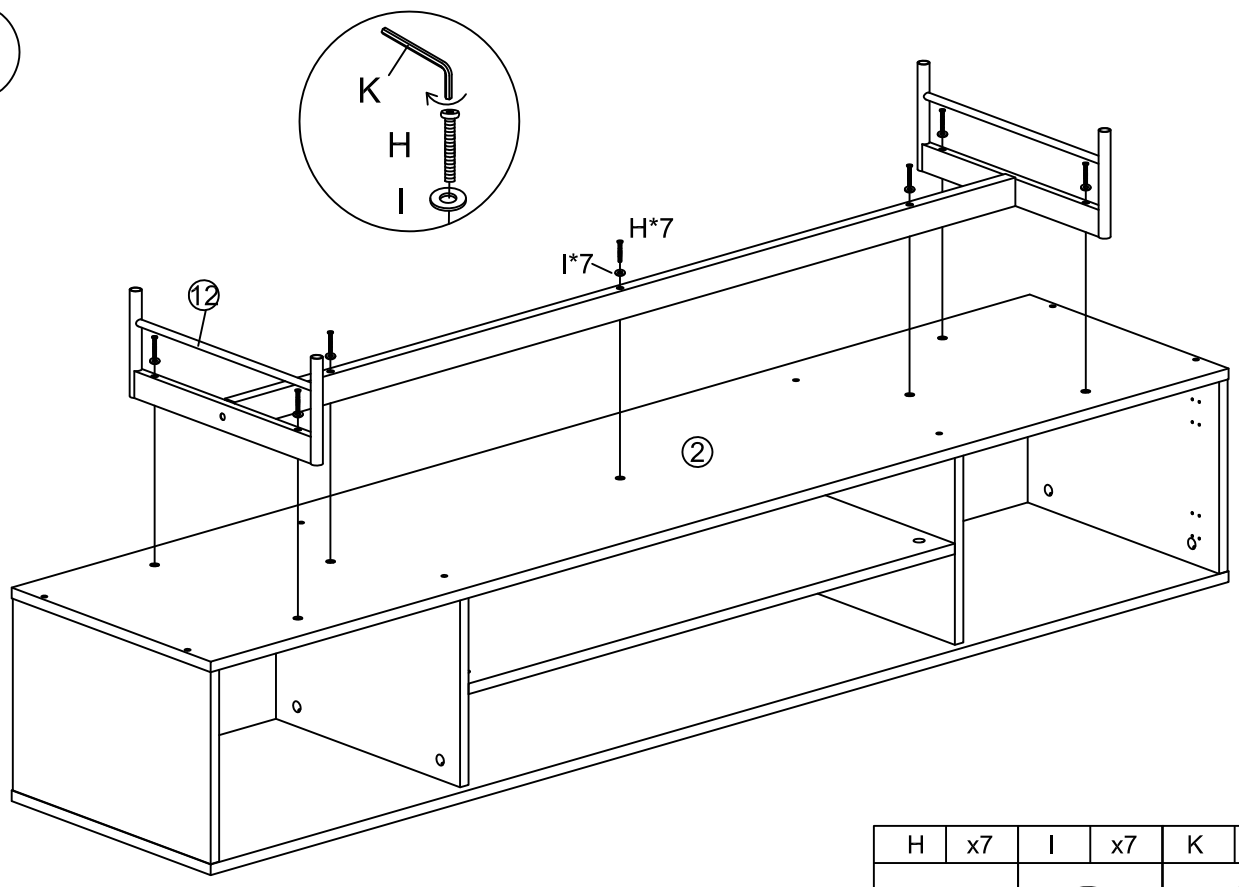
C	x8	D	x8	K	x1
7*50mm		Ø8*30mm		M4	




6



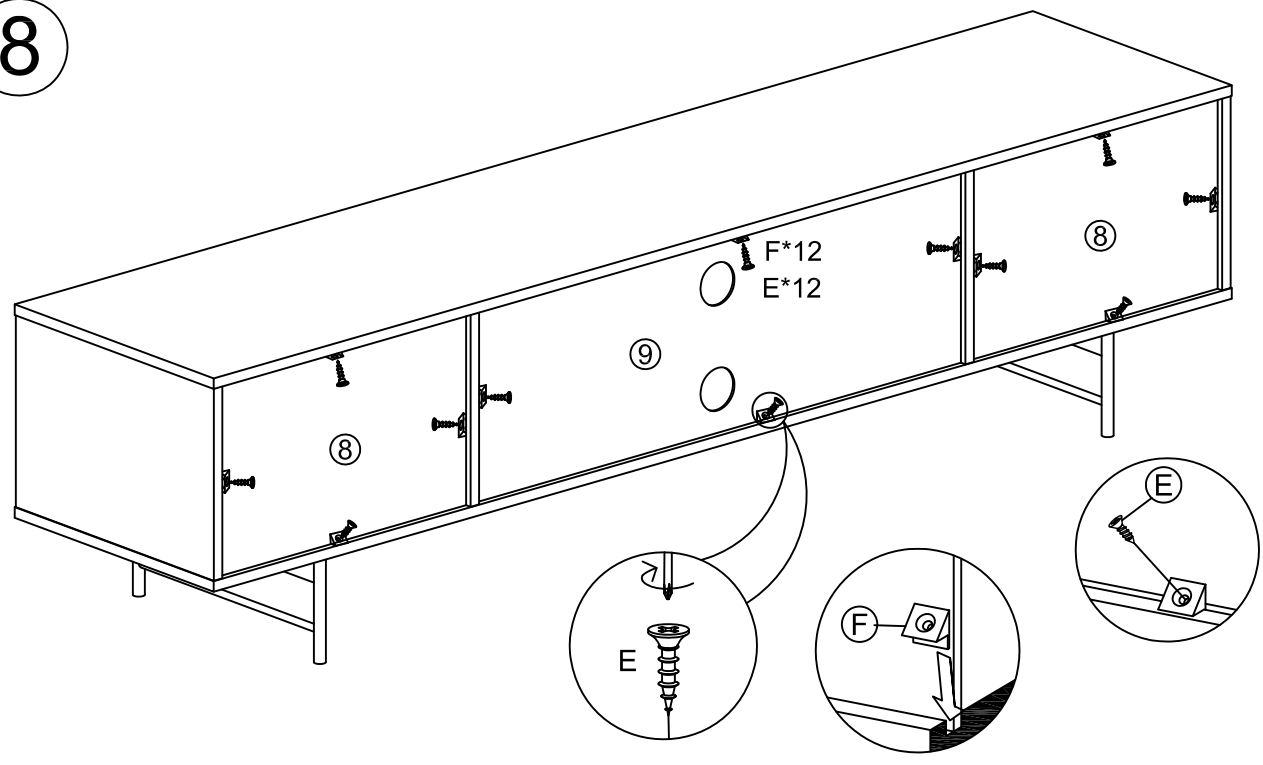
G	x2	I	x2	K	x1
M6*30mm				M4	

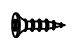

7



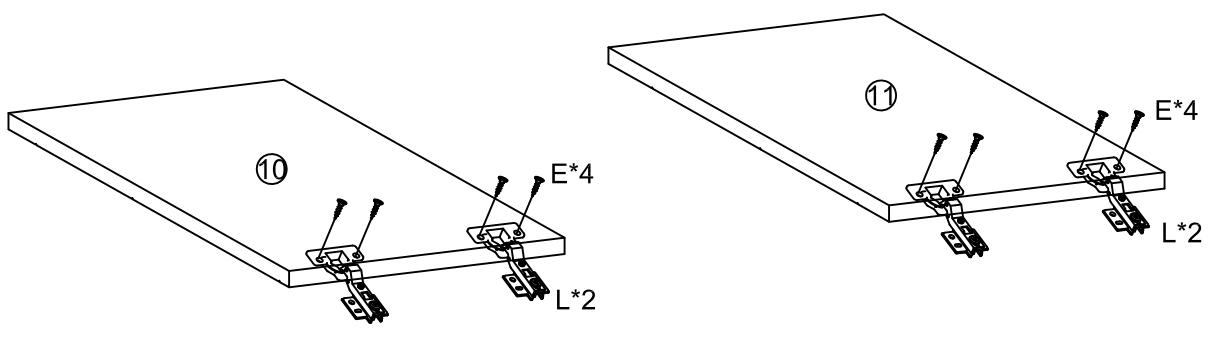
H	x7	I	x7	K	x1
					
M6*50mm				M4	

8



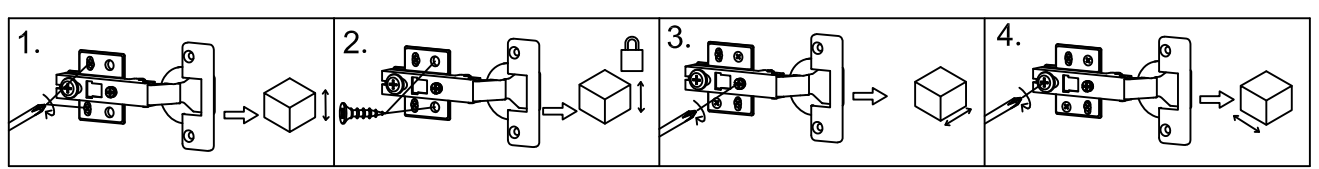
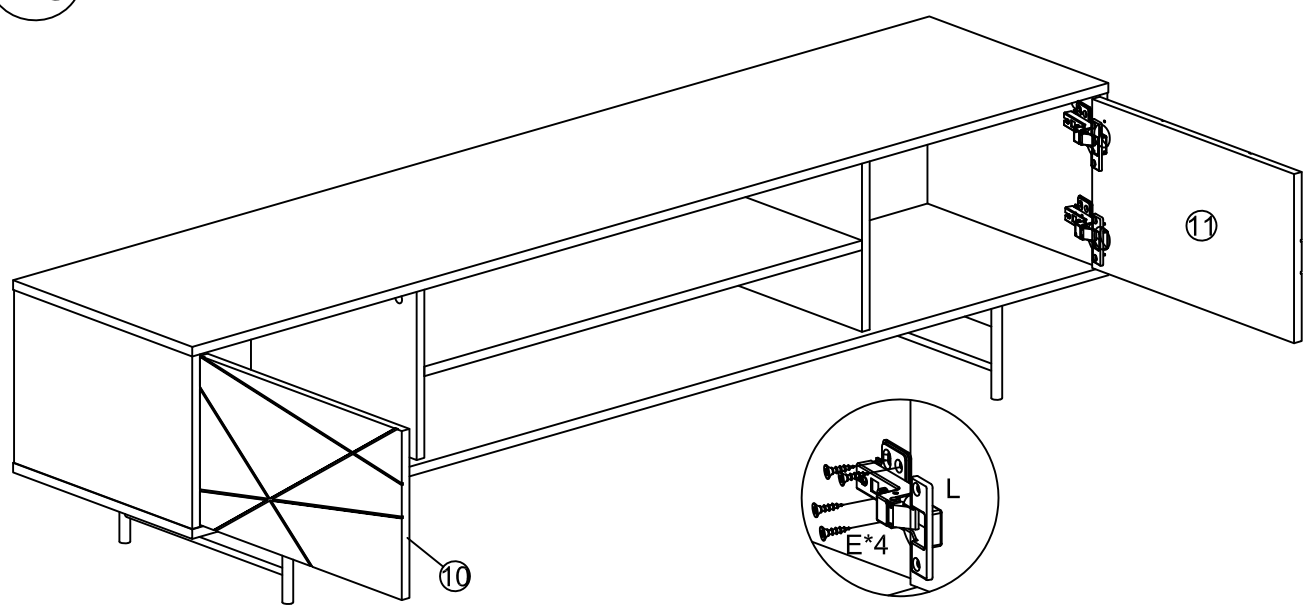
E	x12	F	x12
			
Ø3.5*14mm			

9



E	x8	L	x4
Ø3.5*14mm			

10



E	x16
Ø3.5*14mm	