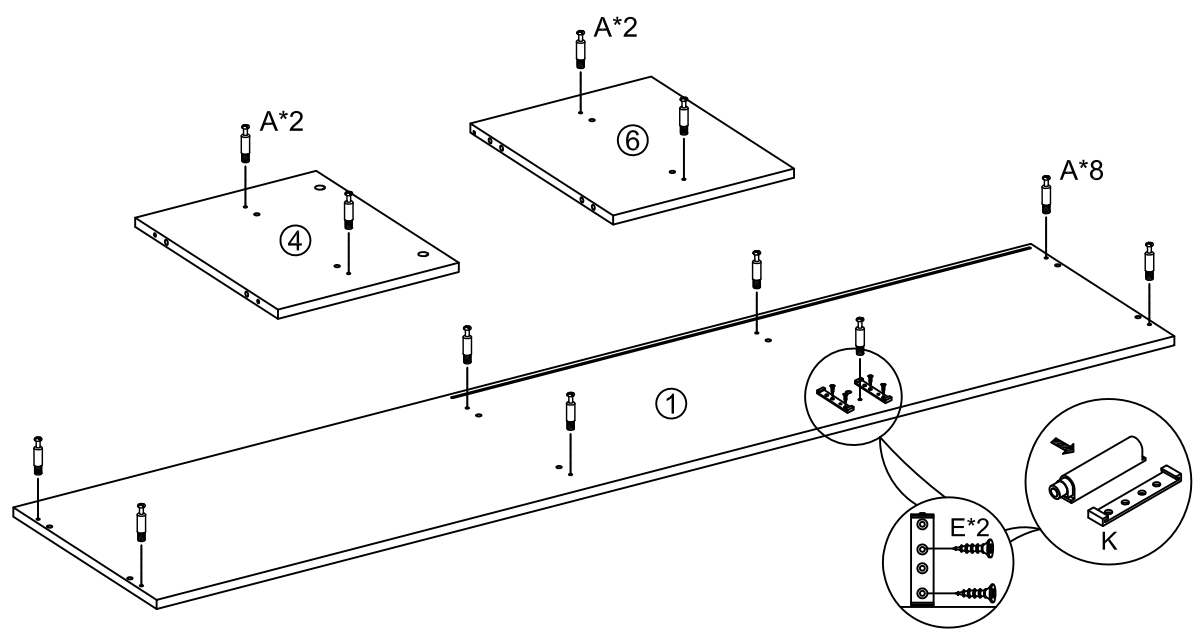


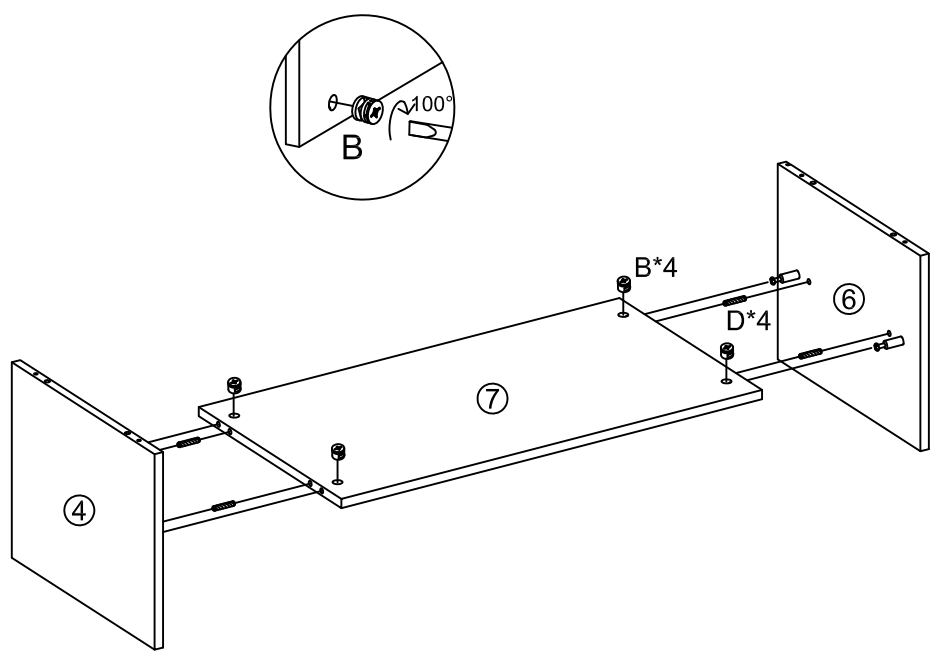
A	x12	B	x12	C	x9	D	x20	E	x60	F	x4	G	x9	H	x1
M6*35mm		Ø15mm		7*50mm		Ø8*30mm		Ø3.5*14mm						M4	
I	x8	J	x4	K	x2	L	x1	M	x4	N	x2	O	x2	P	x2
												M4*45mm			

1



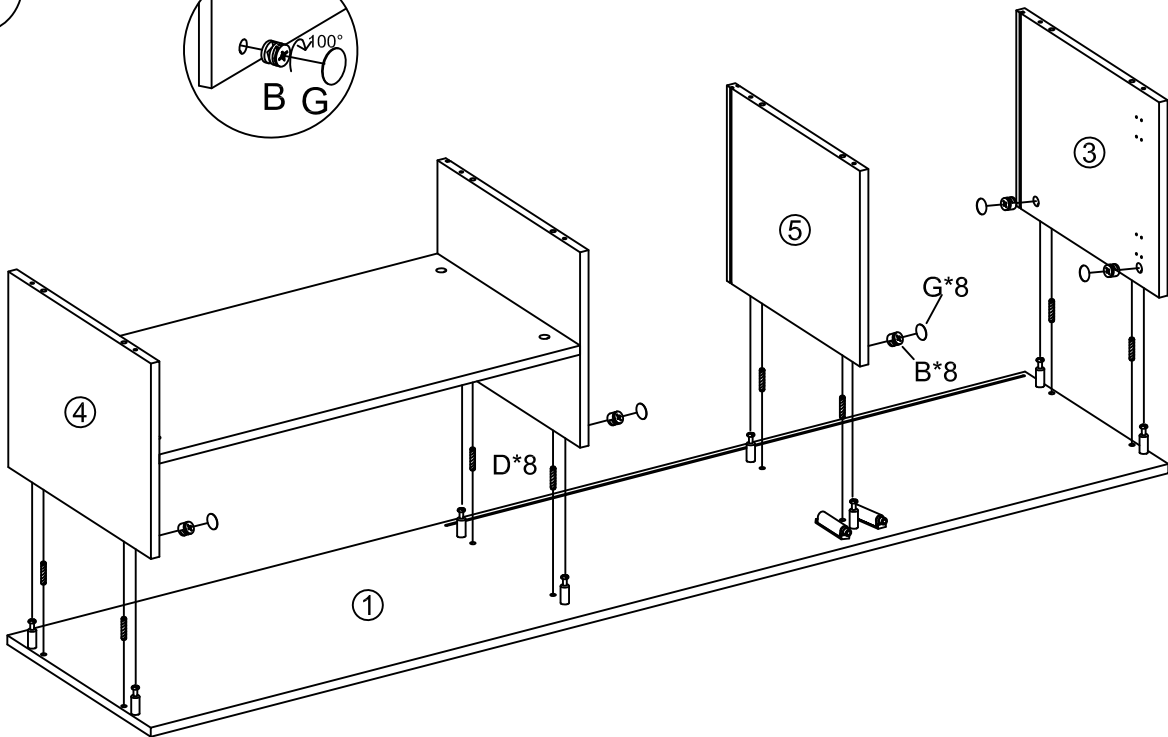
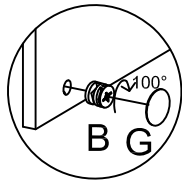
A	x12	E	x4	K	x2
M6*35mm		Ø3.5*14mm			




2



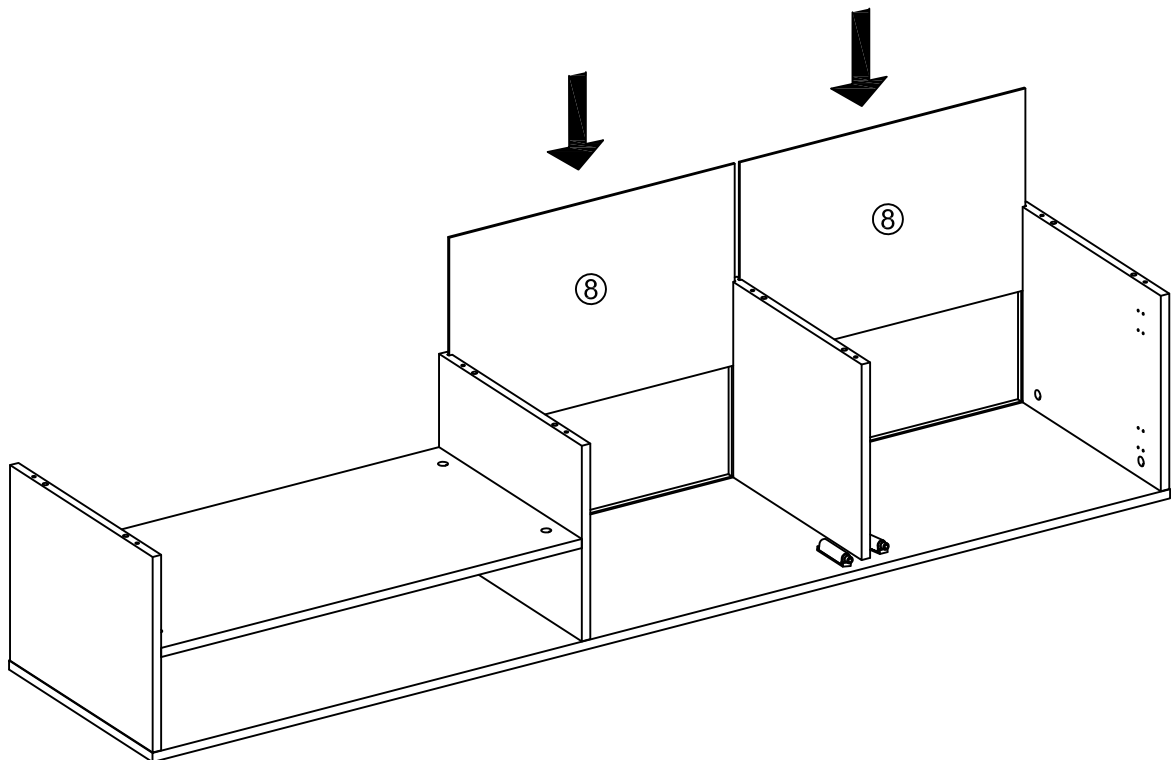
B	x4	D	x4
Ø15mm		Ø8*30mm	

3

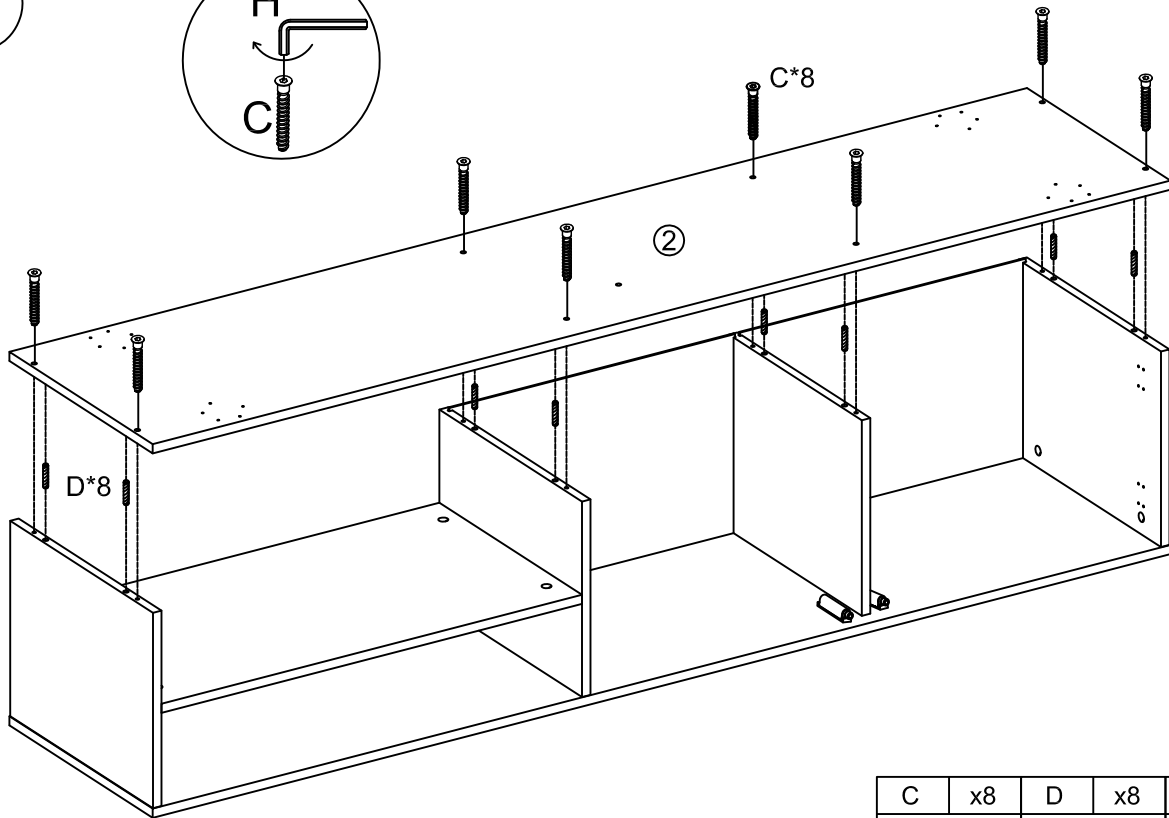
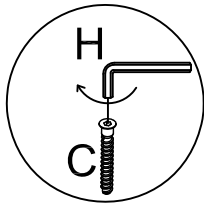





B	x8	D	x8	G	x8
					
Ø15mm		Ø8*30mm			

4

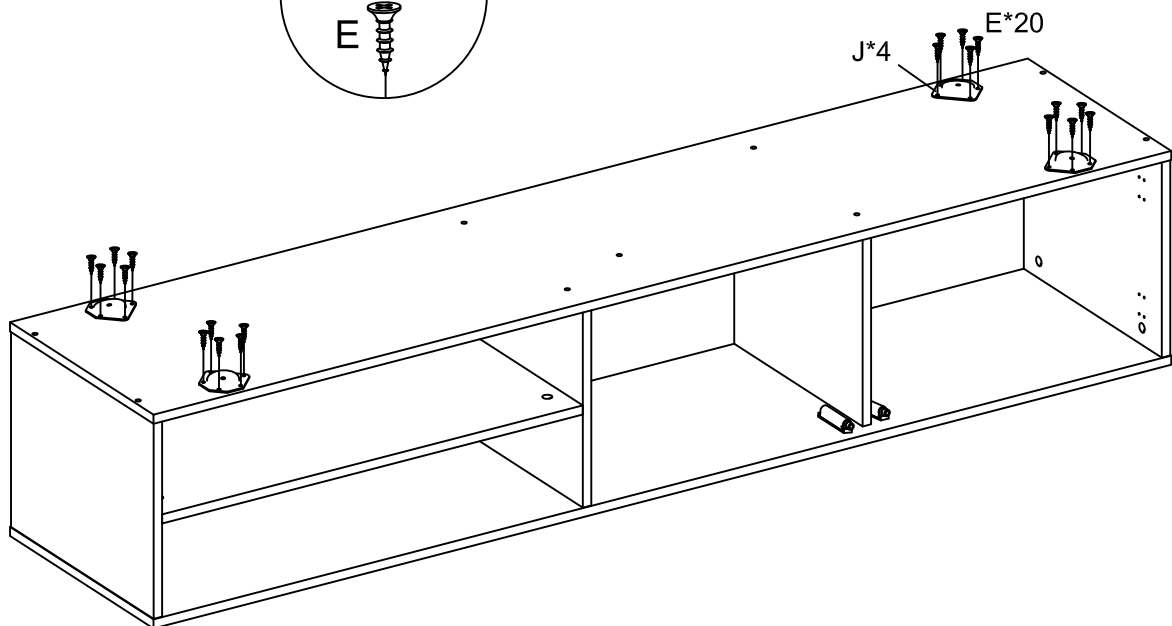
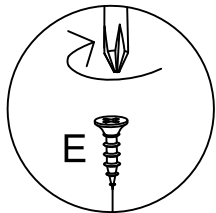




5



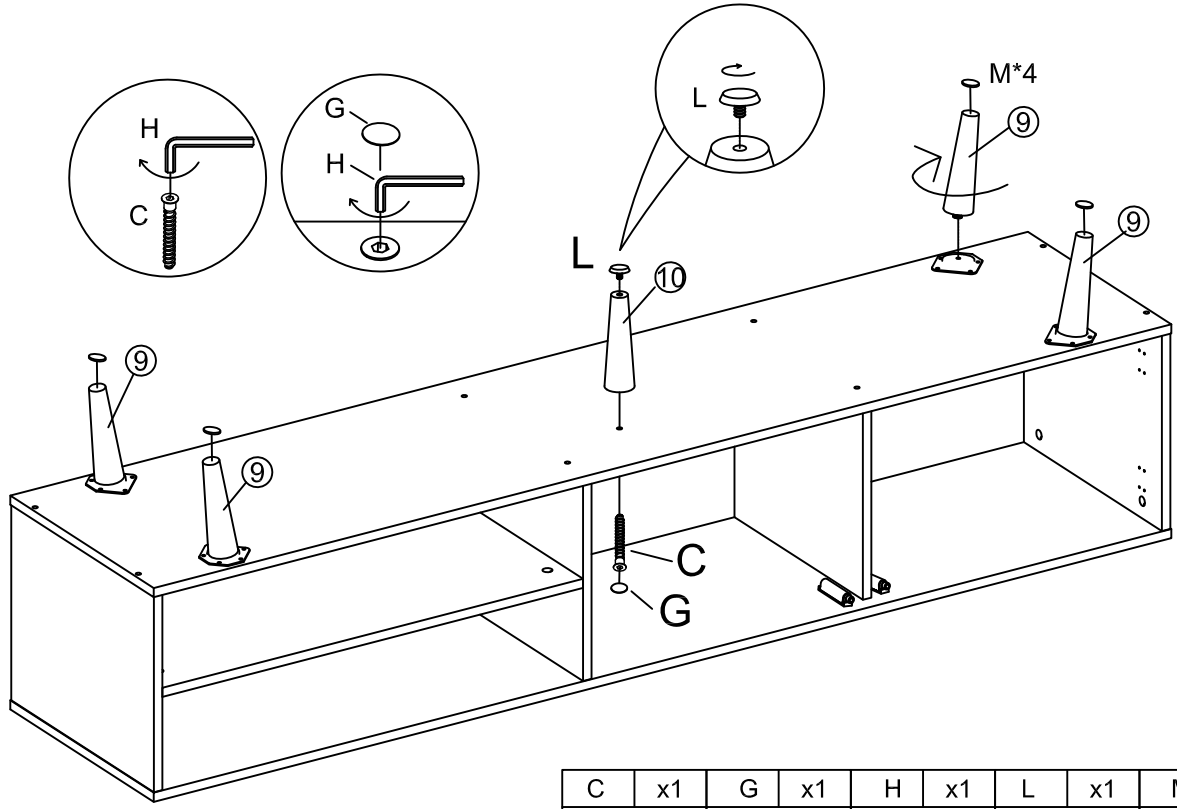
C	x8	D	x8	H	x1
					
7*50mm		Ø8*30mm		M4	

6



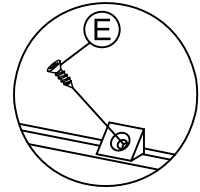
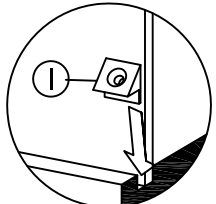
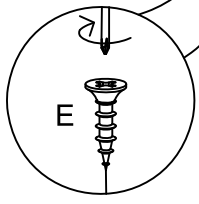
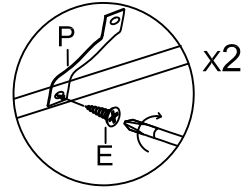
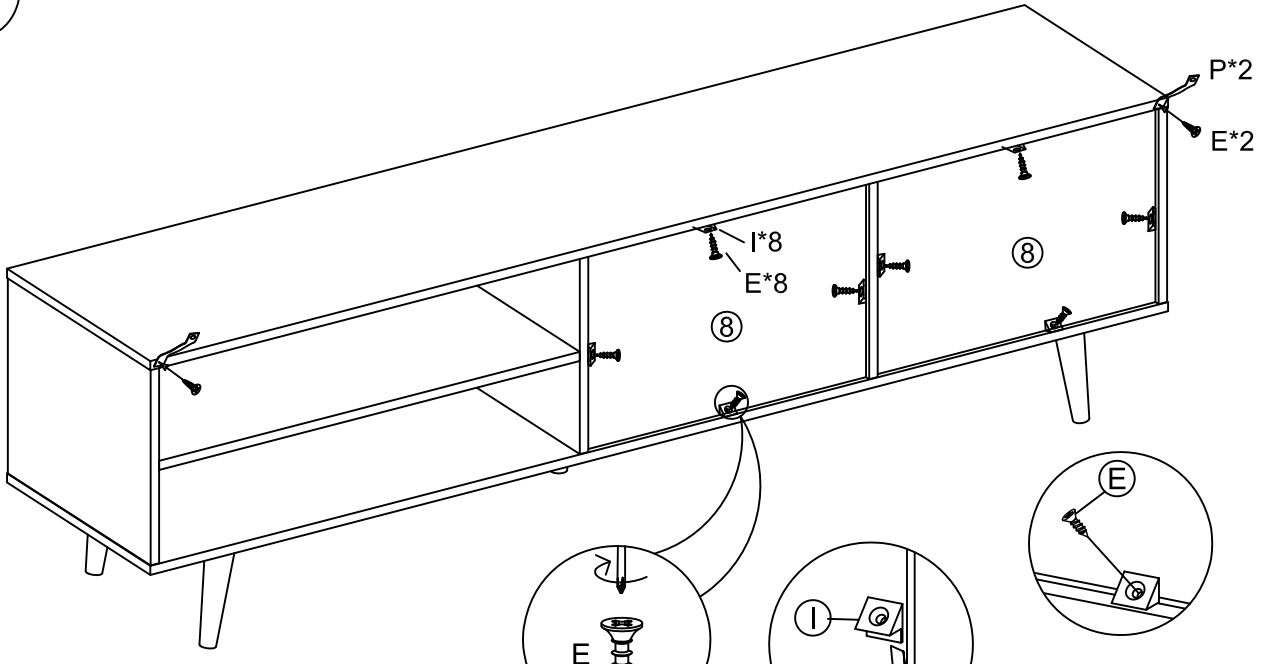
E	x20	J	x4
			
M3.5*14mm			

7



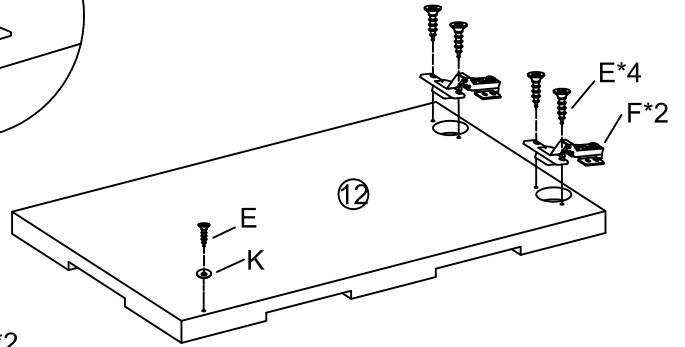
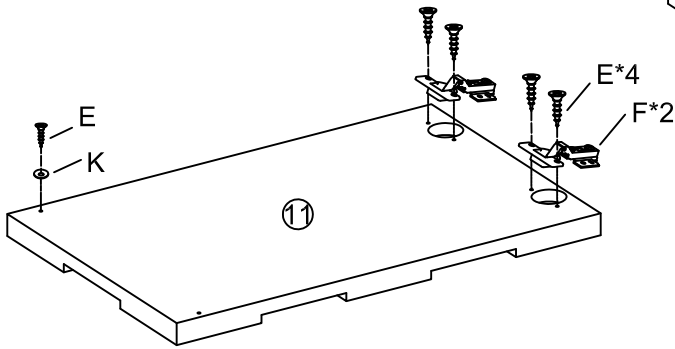
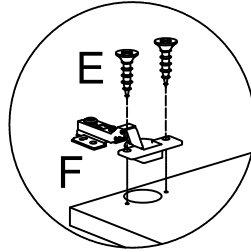
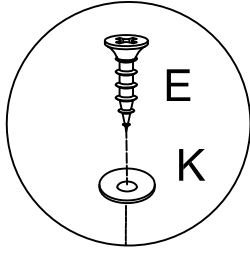
C	x1	G	x1	H	x1	L	x1	M	x4
7*50mm				M4					

8



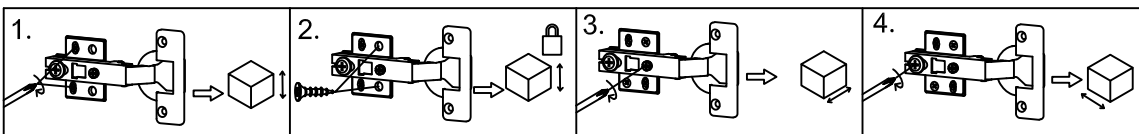
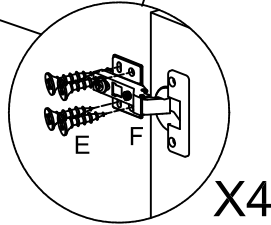
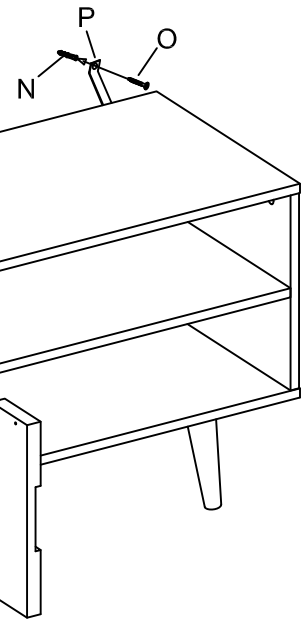
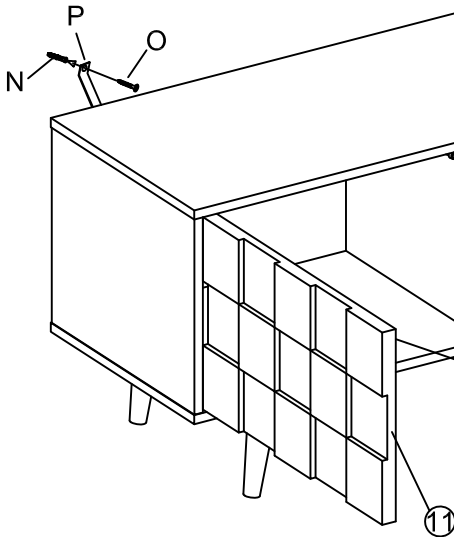
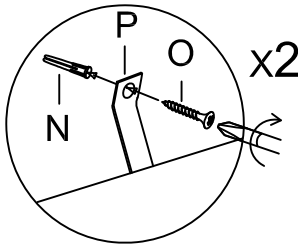
E	x10	I	x8	P	x2
Ø3.5*14mm					

9



E	x10	F	x4	K	x2
Ø3.5*14mm					

10



E	x16	N	x2	O	x2
Ø3.5*14mm				M4*45mm	