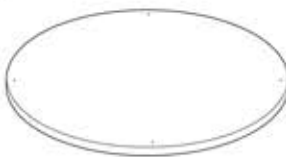




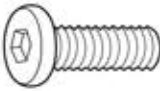


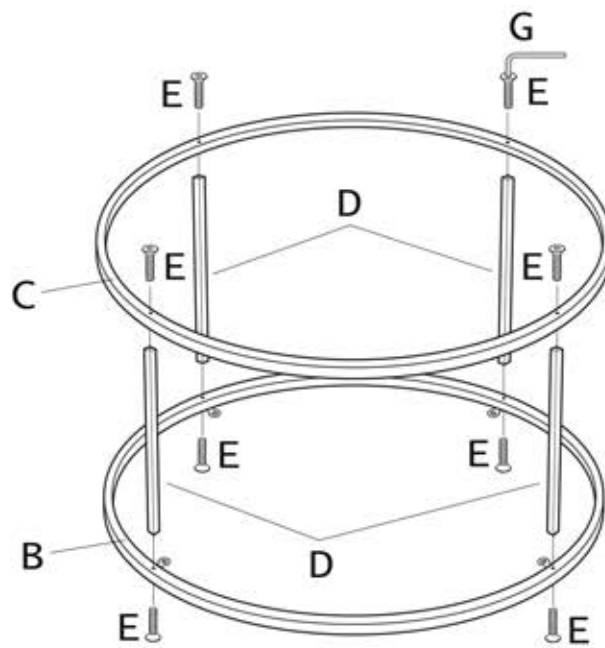
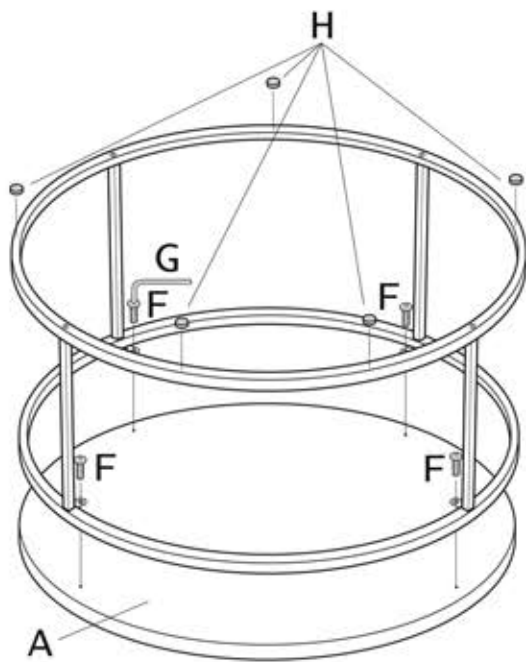


<p>A</p>  <p>X1</p>	<p>B</p>  <p>X1</p>	<p>C</p>  <p>X1</p>	<p>D</p>  <p>X4</p>
<p>E</p>  <p>1/4 X 28MM X8</p>	<p>F</p>  <p>1/4 X 12MM X4</p>	<p>G</p>  <p>4MM X1</p>	<p>H</p>  <p>Dia.12MM X5</p>

1



2



3

