











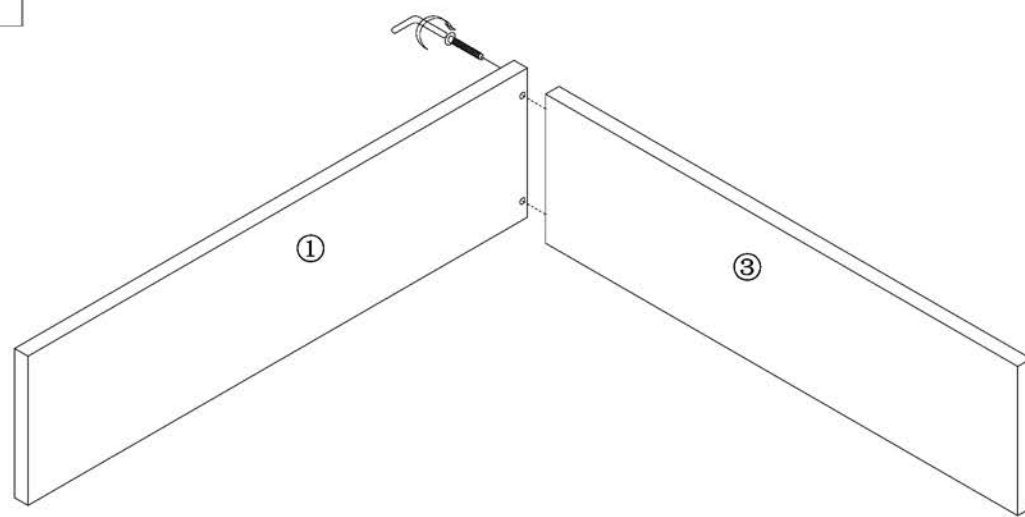
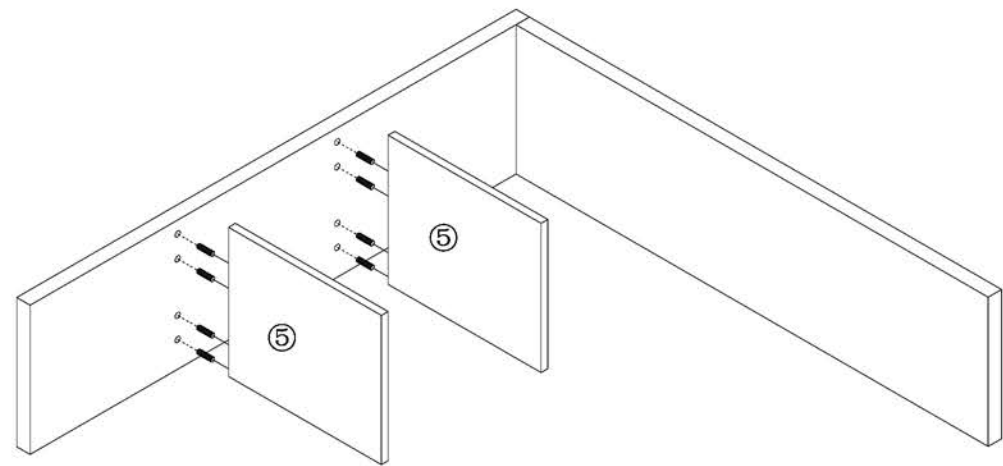
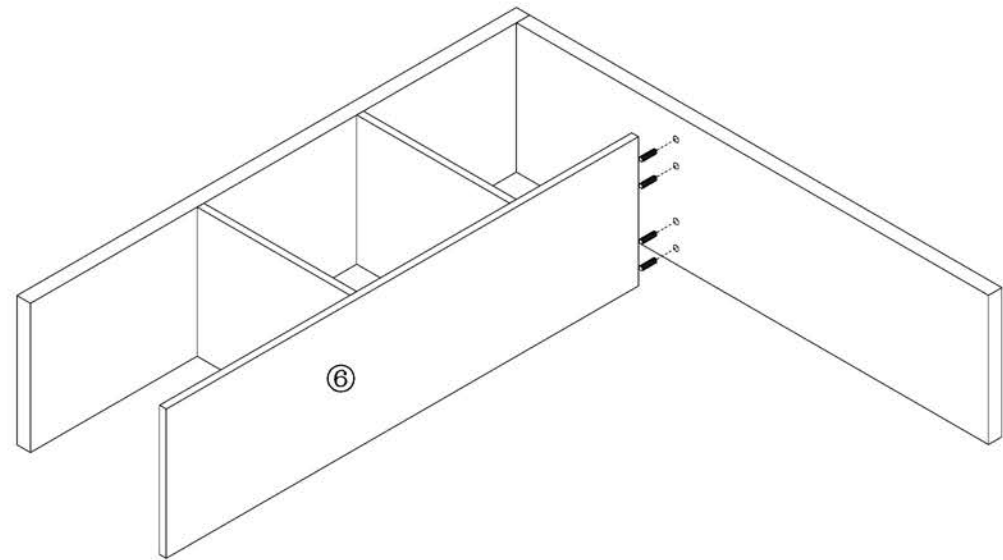
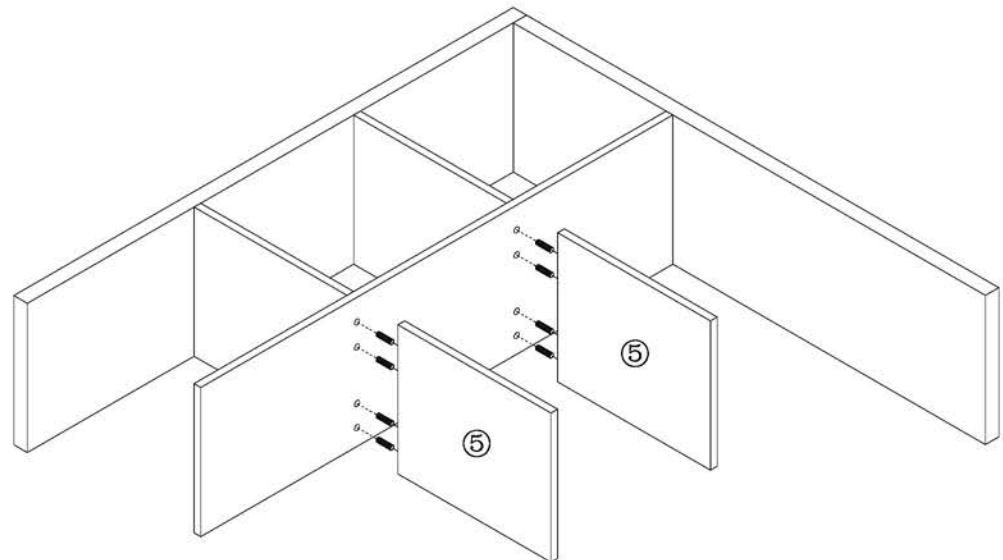


NO.		QTY.
A		8
B	 $\phi 8 \times 30$	32
C		8
D		4
E		2
F		2
G		4
H		1
I		2
J		2
K		2
L	 $\phi 8 \times 60$	16


1**2**

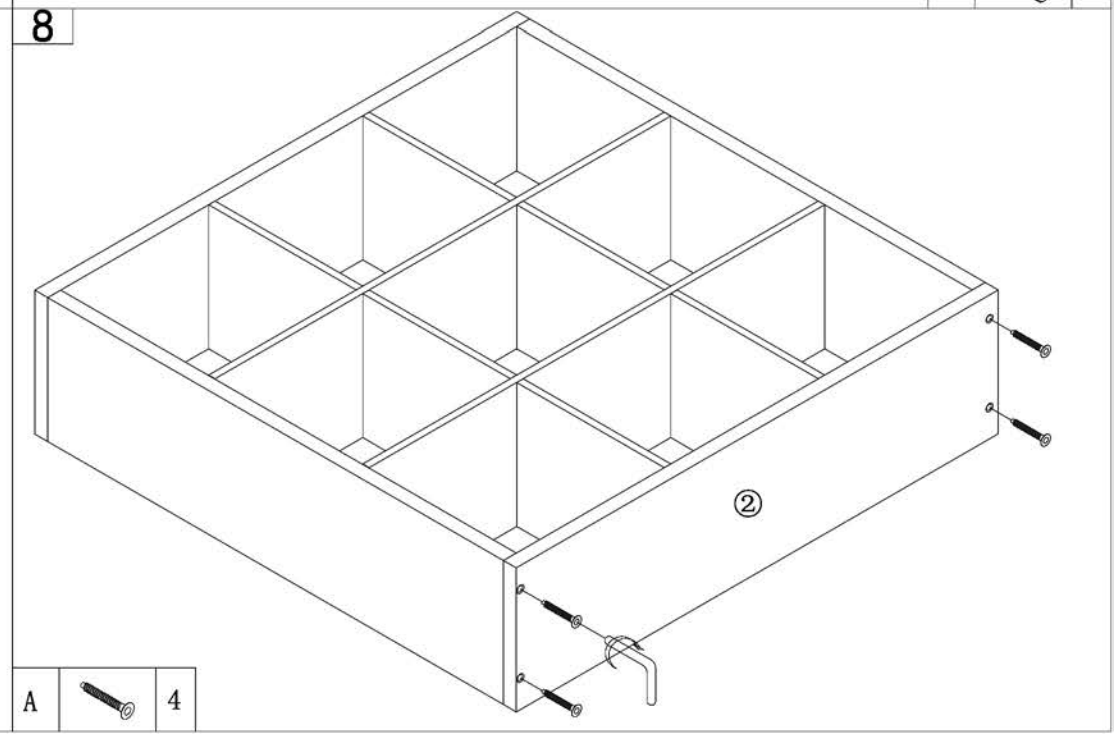
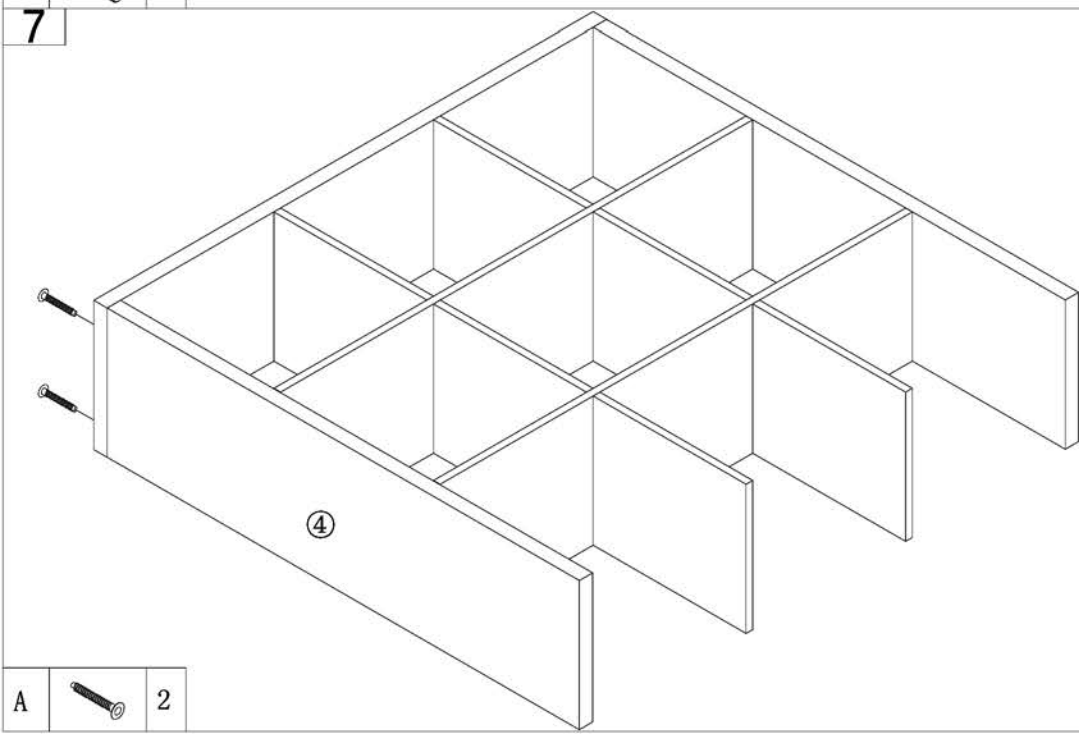
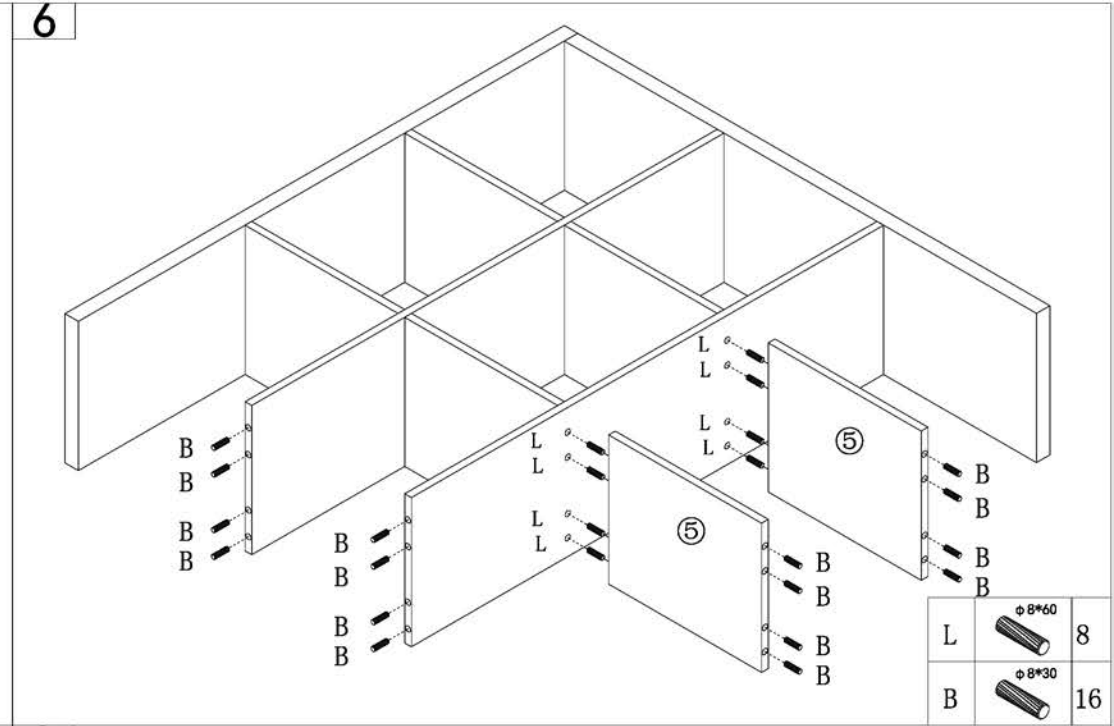
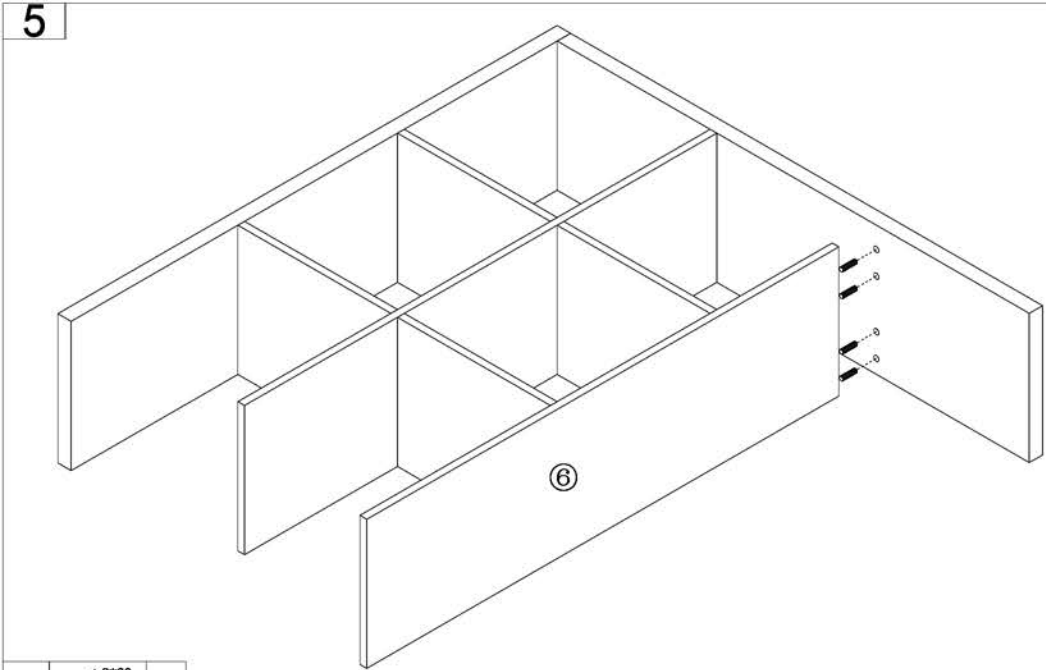
A		2
---	----------------------------------------------------------------------------------	---

B		8
---	-------------------------------------------------------------------------------------	---

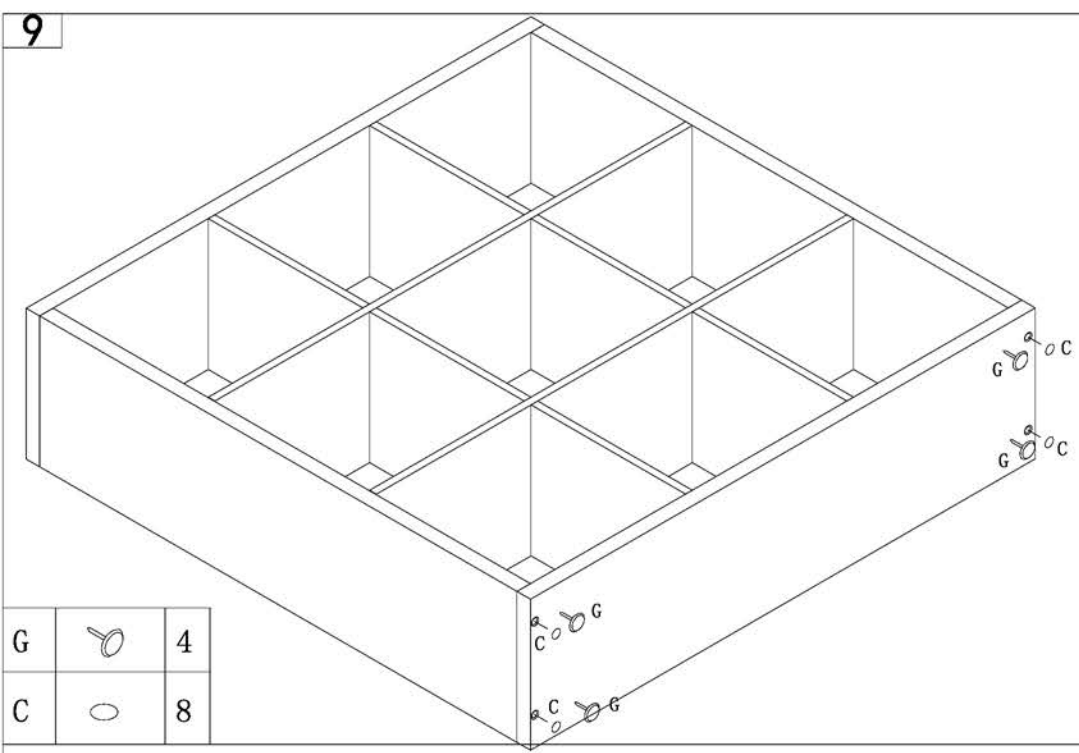
3**4**



B		4
---	--------------------------------------------------------------------------------------	---

L		8
---	---------------------------------------------------------------------------------------	---

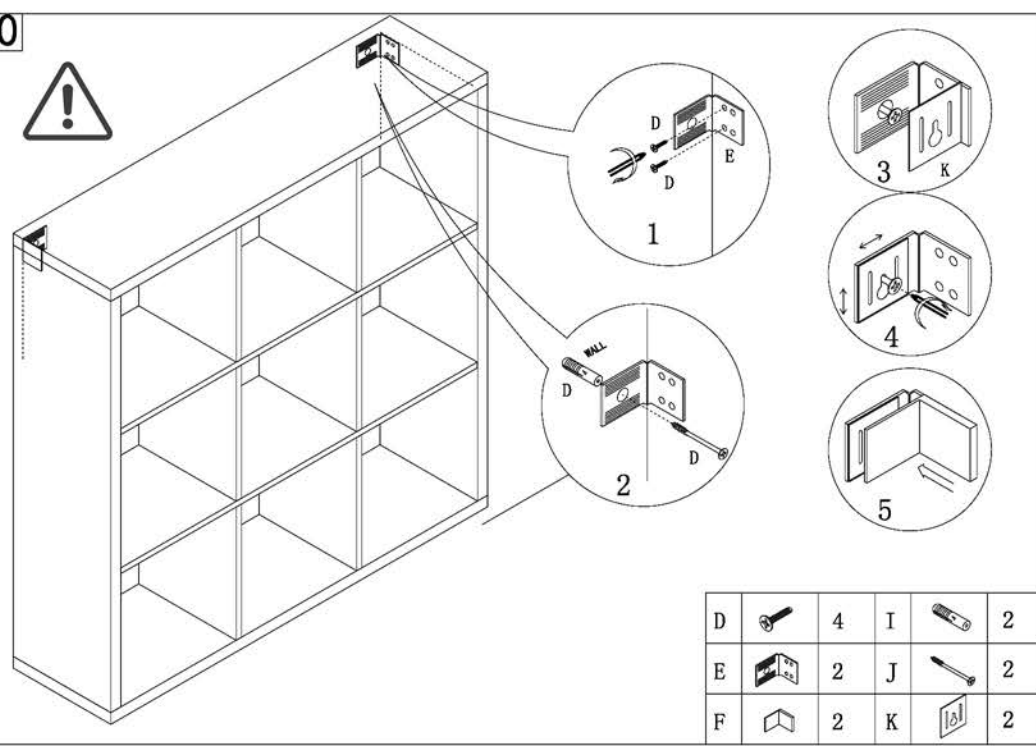






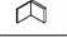
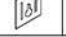
9



G		4
C		8

10



D		4	I		2
E		2	J		2
F		2	K		2