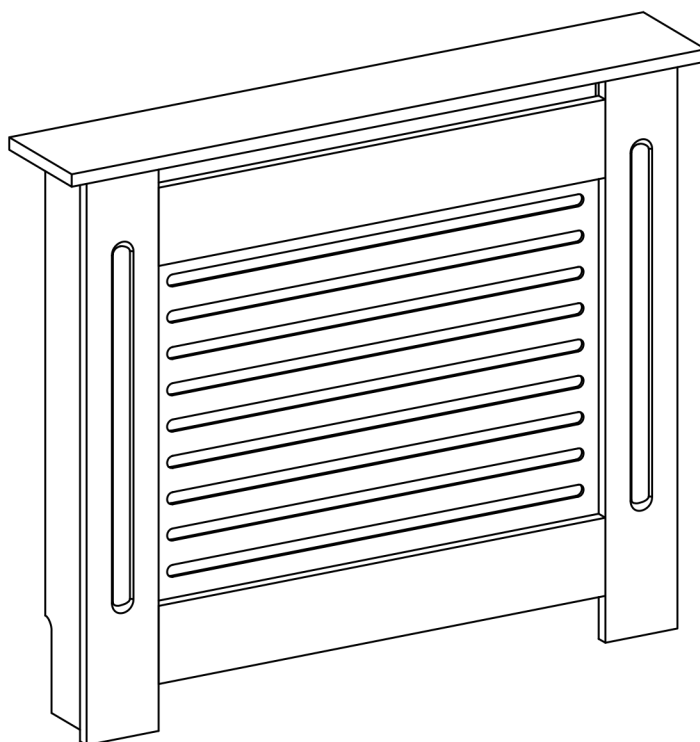
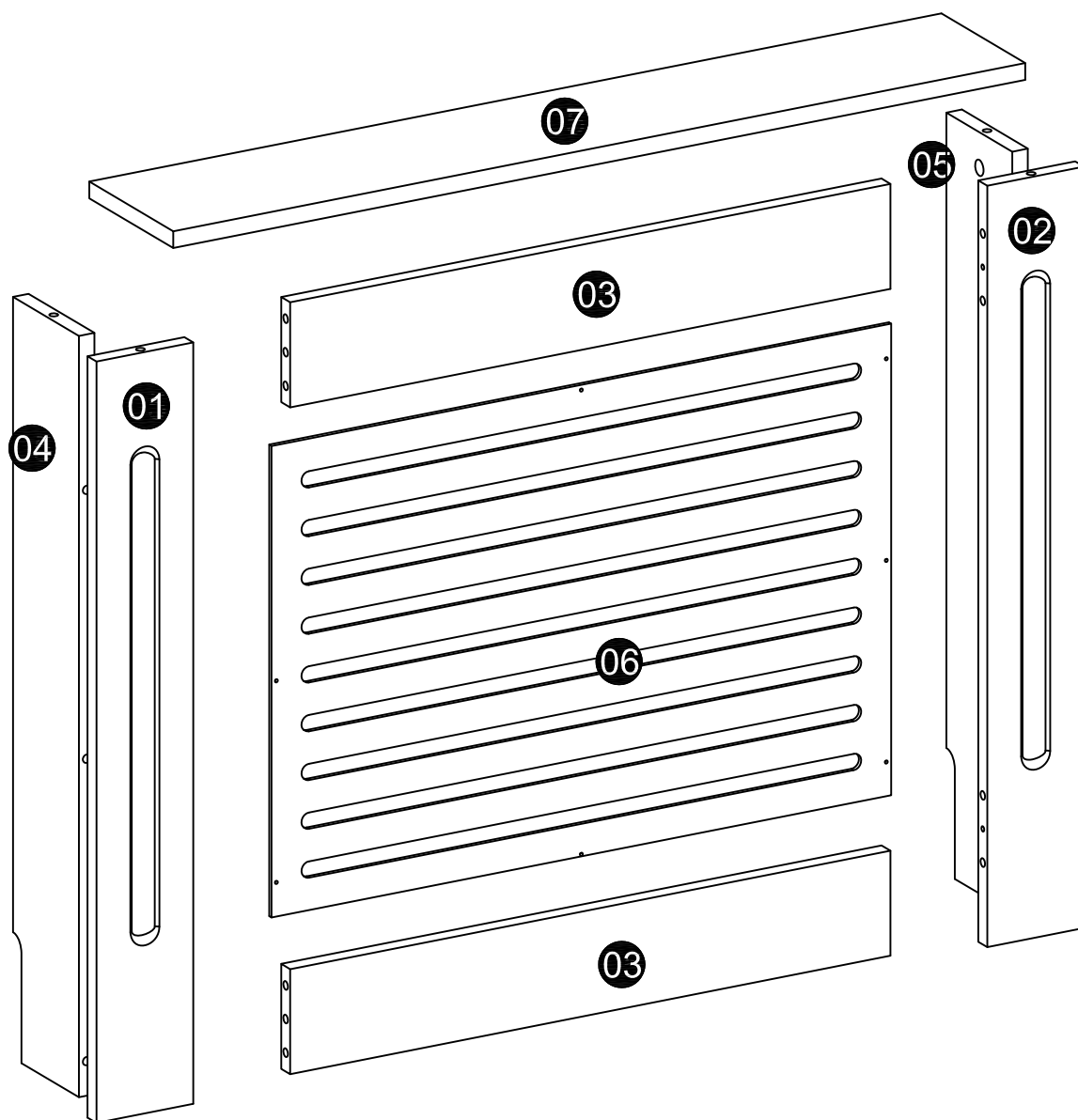
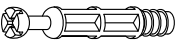


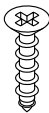
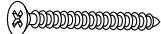

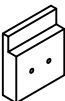


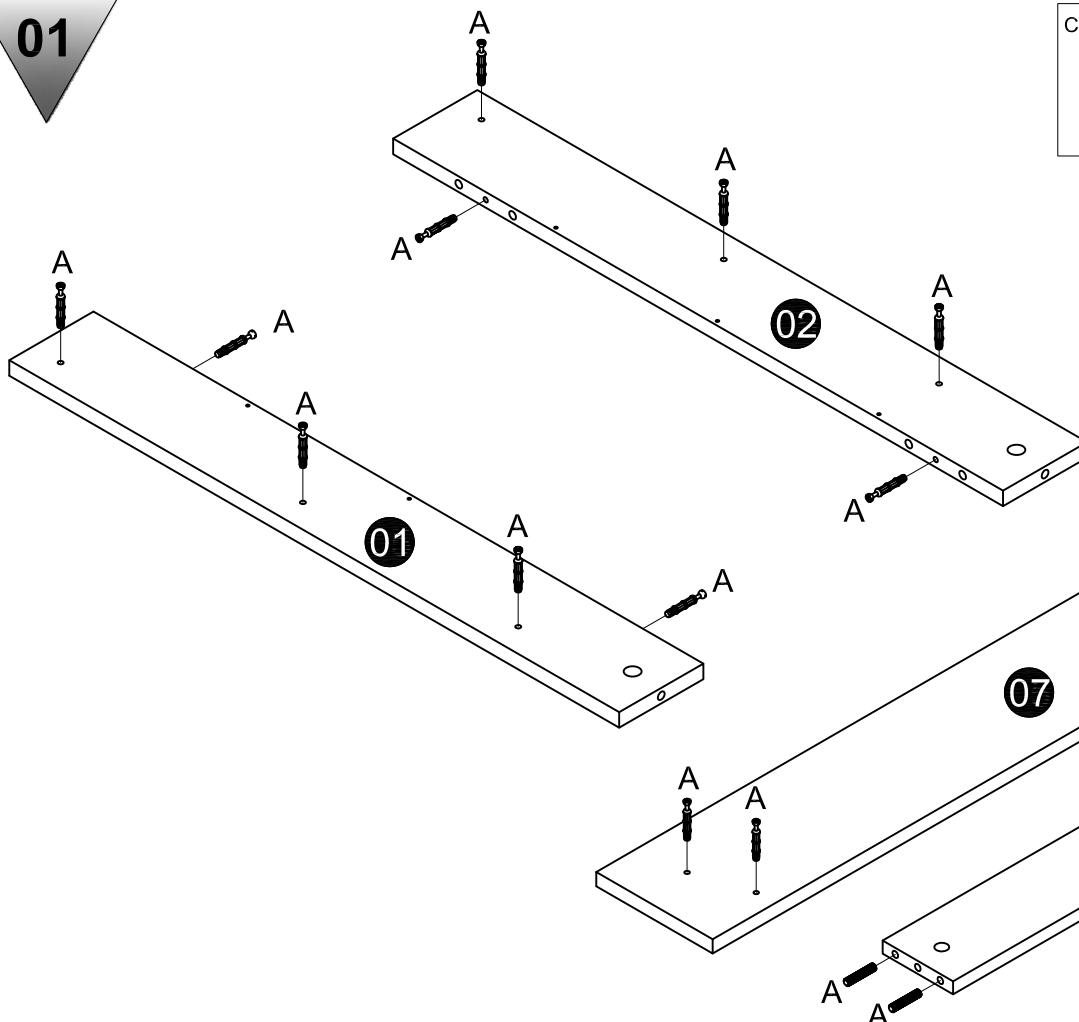
USER MANUAL | MODE D'EMPLOI | MANUAL DEL USUARIO | GEBRAUCHSANLEITUNG |
GEBRUIKSHANDLEIDING | MANUALE PER L'UTENTE | MANUAL DO UTILIZADOR





<p>A CAM lock dowel x14</p> 	<p>B CAM lock x14</p> 	<p>C Wood dowel x8 6x30mm</p> 	<p>D Screw x12 ø3.5x14mm</p> 	<p>E Screw x4 ø3.5x35mm</p> 
<p>F Wall anchor x4</p> 	<p>G Wood block x2</p> 			

01



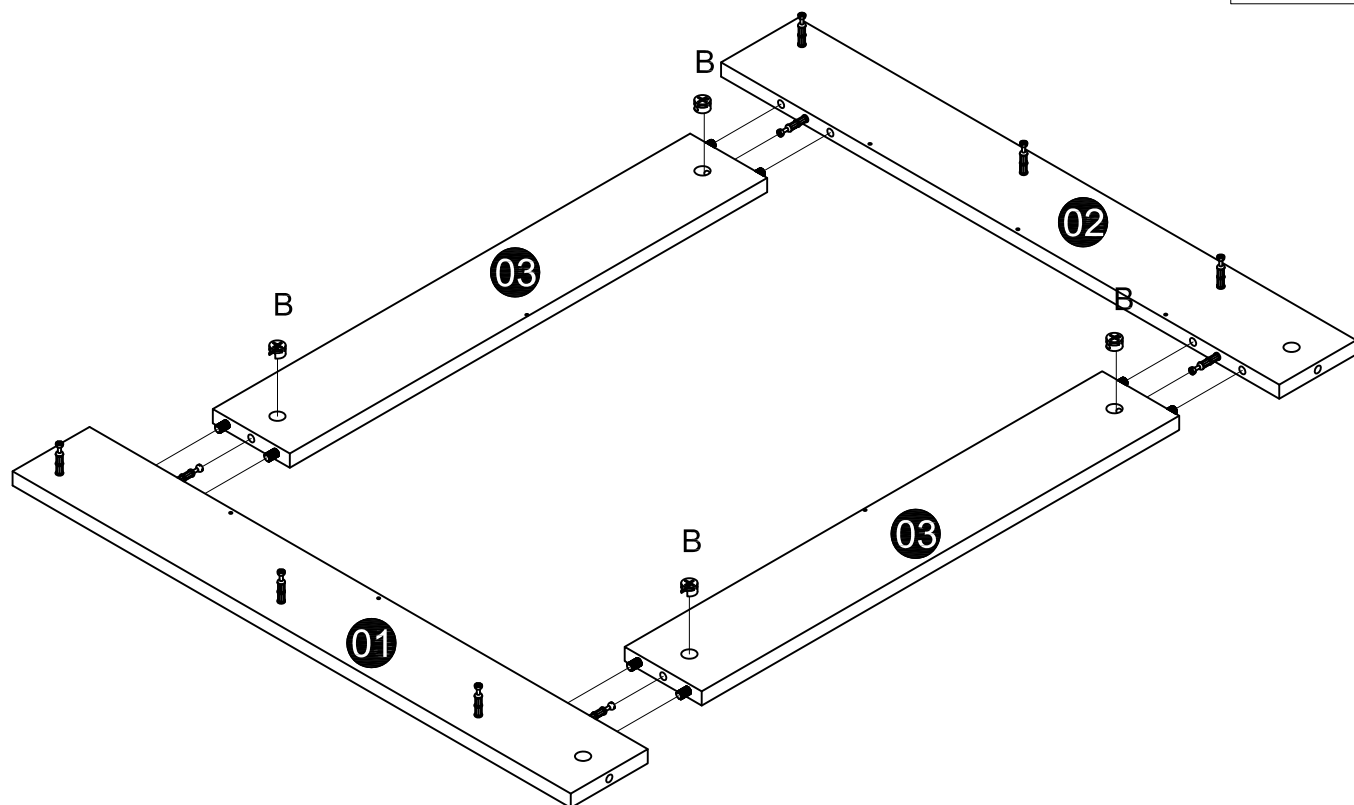
C Wood dowel x8



A CAM lock dowel x14



02

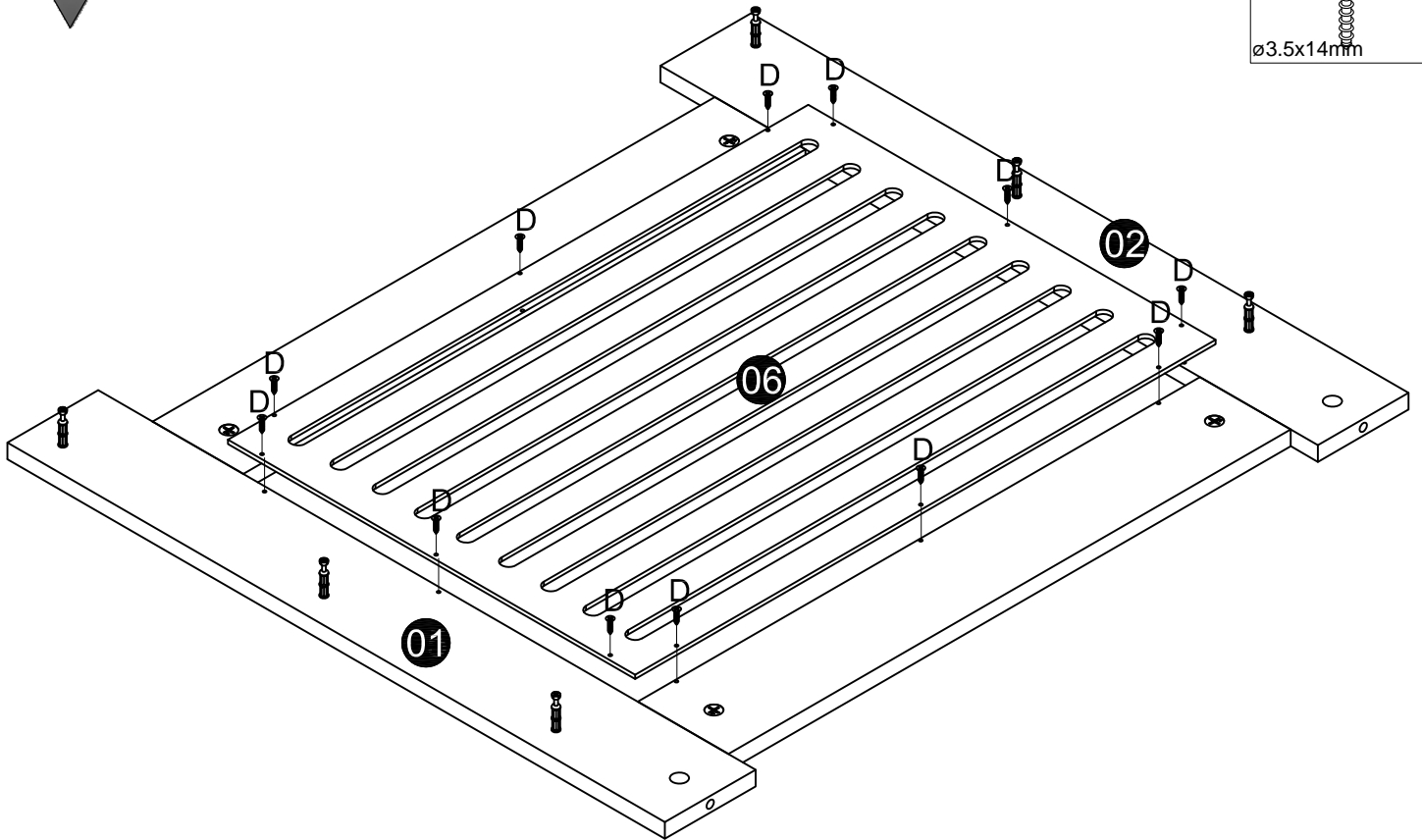
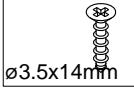


B CAM lock x4



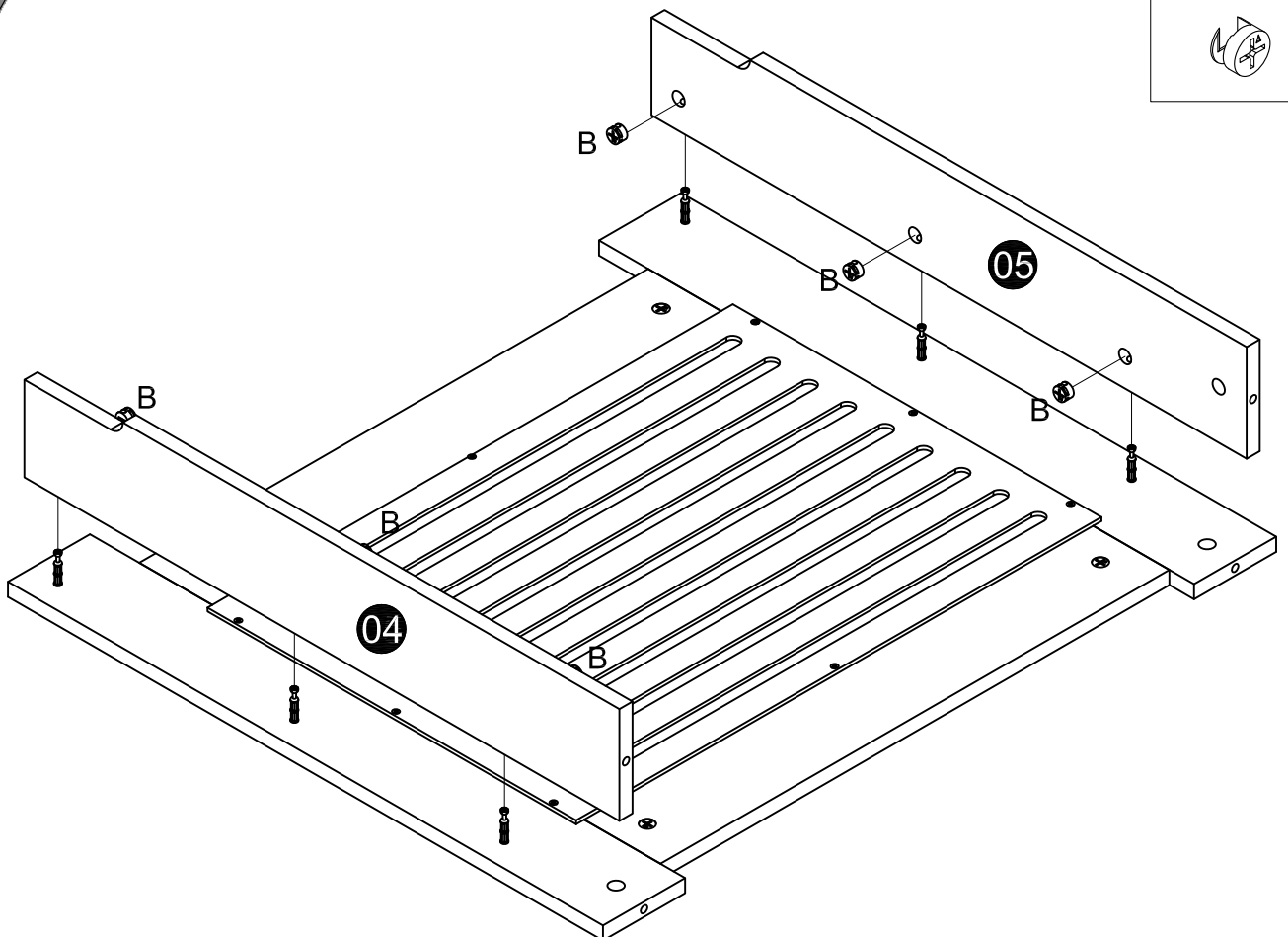
03

D Screw x12



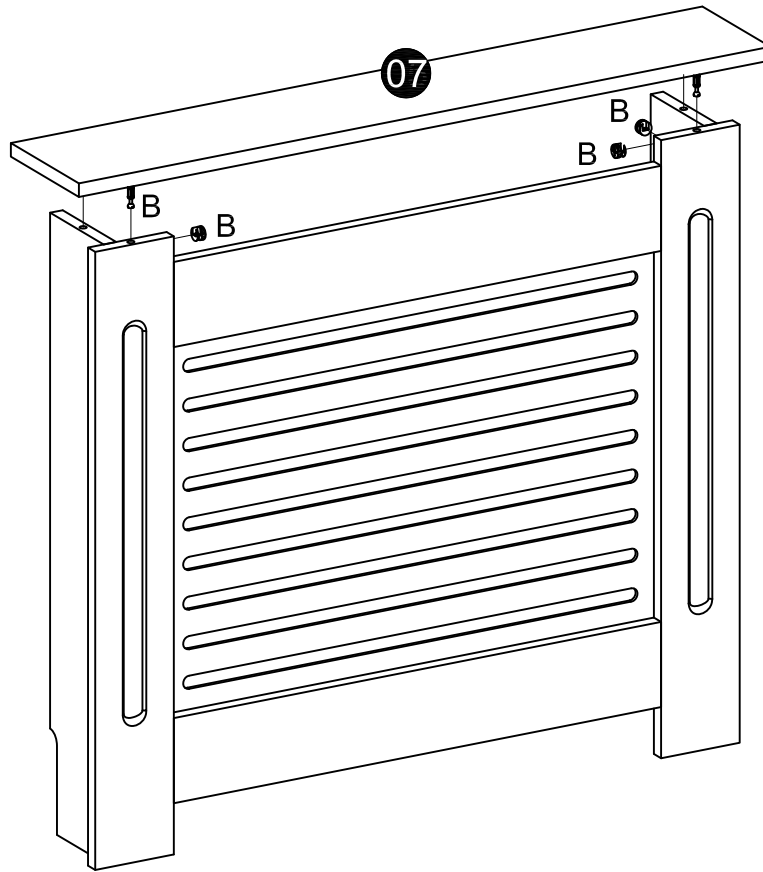
04

B CAM lock x6

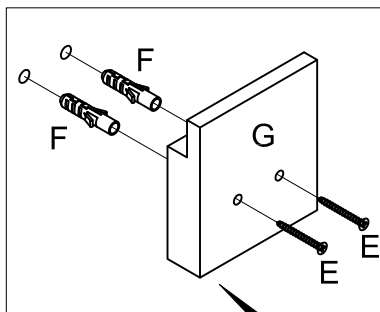


05

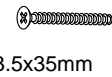
B CAM lock x4



06



E Screw x4

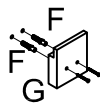
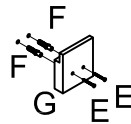


ø3.5x35mm

F Wall anchor x4



G Wood block x2



07

