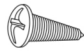
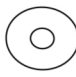

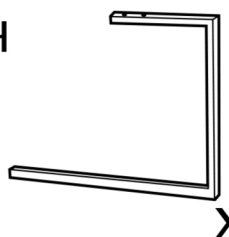








WOHNLING®

Möbel zum Wohlfühlen

WL5.240

| | | | |
|---|---|--|--|
| A  dia.2x12mm x3 | D  dia,16mm x6 | F  x6 | H  x3 |
| B  dia.6x25mm x6 | E  x1 | G  x3 | I  x1 |

