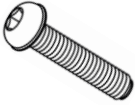


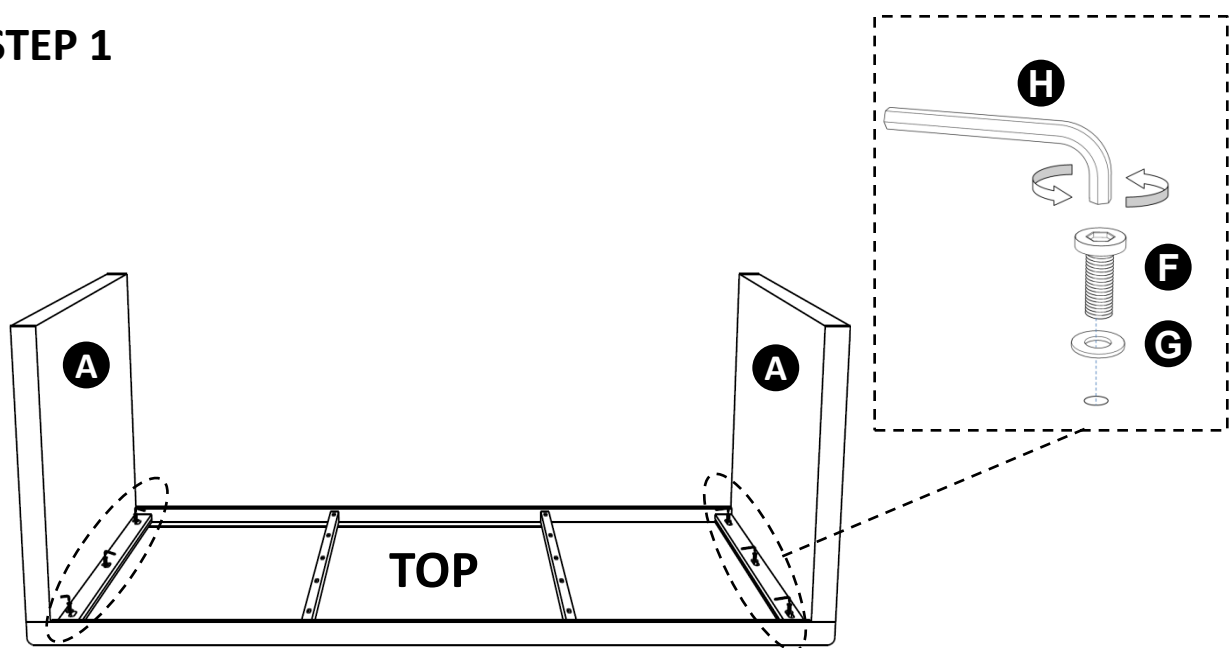


6X	6X	1X
<p>F 32 X 8 mm</p> 	<p>G</p> 	<p>H</p> 

**STEP 1**



**COMPLETED**

