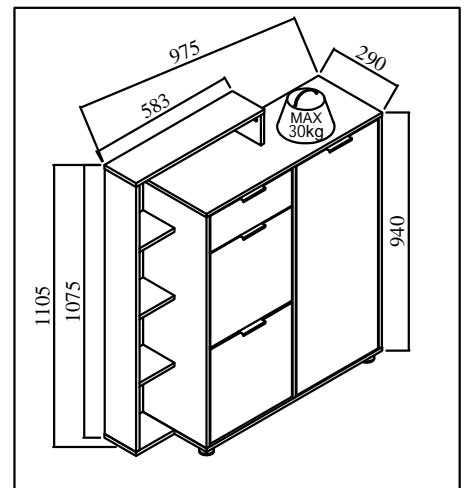
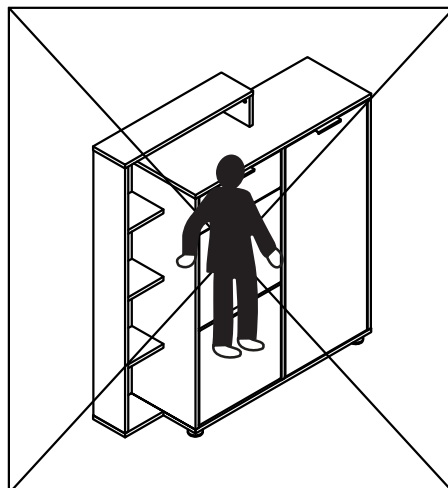
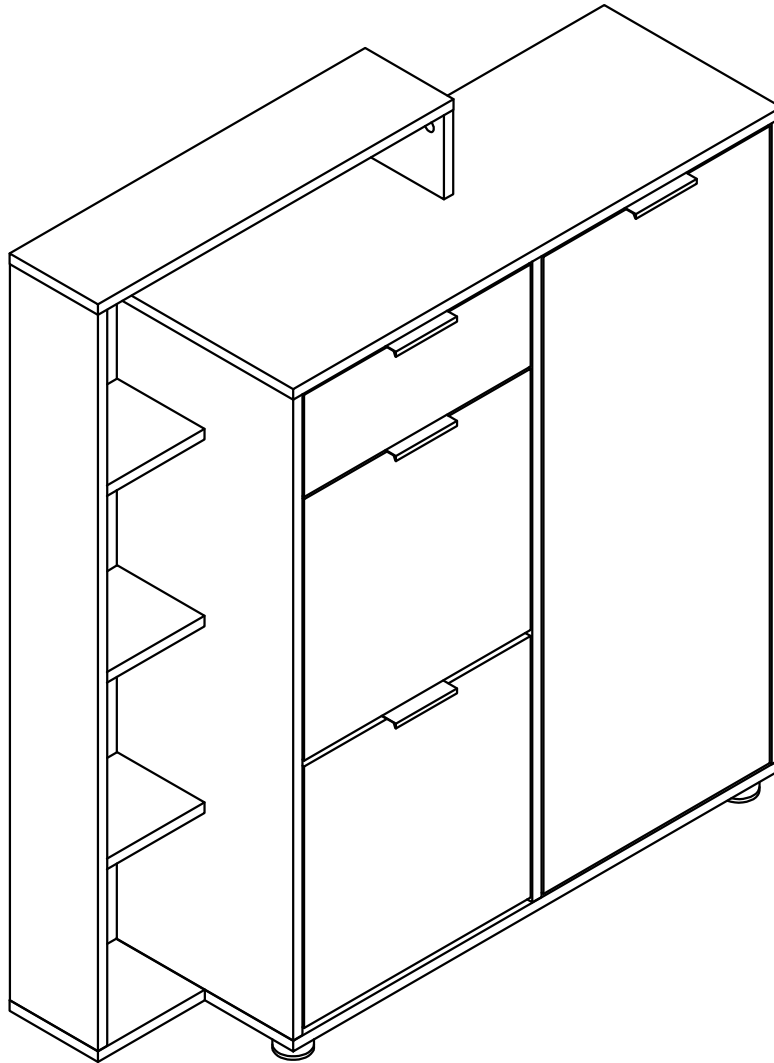
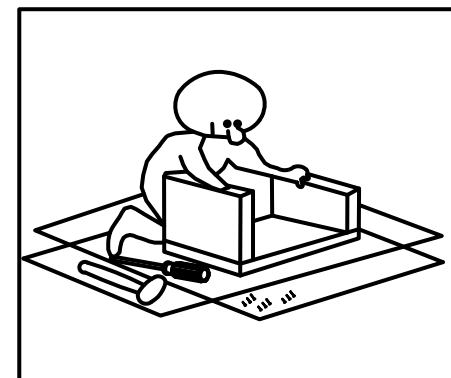
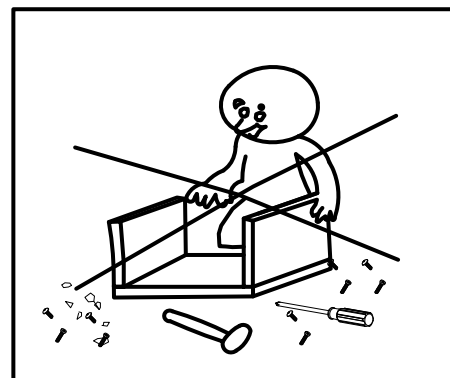
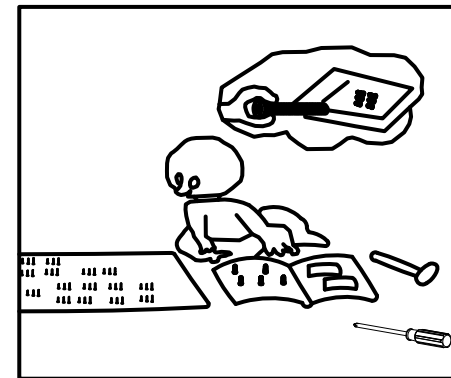
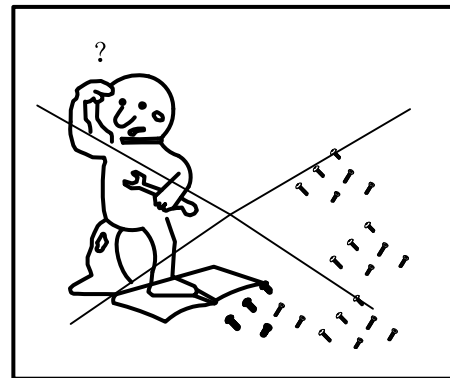
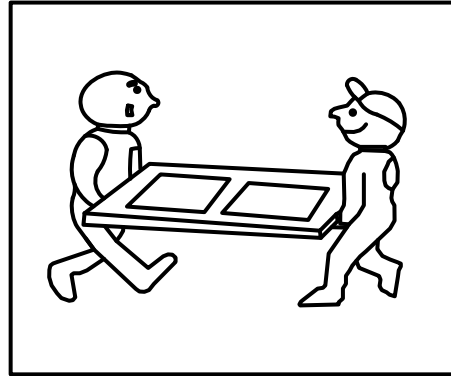
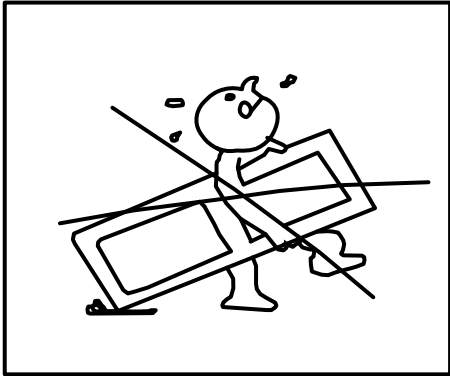
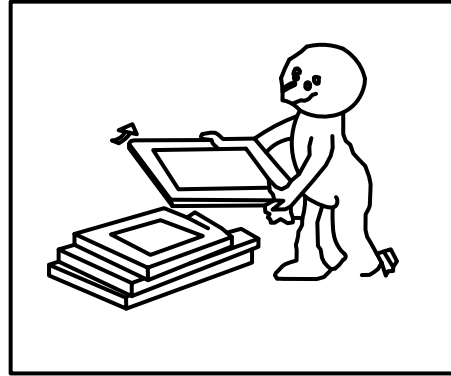
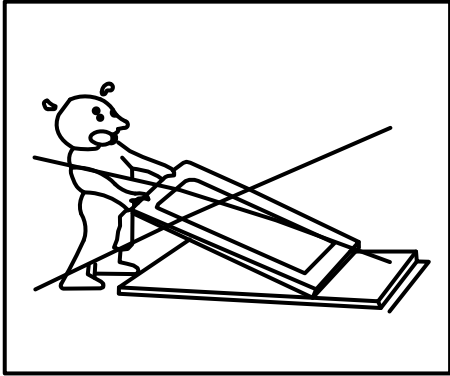
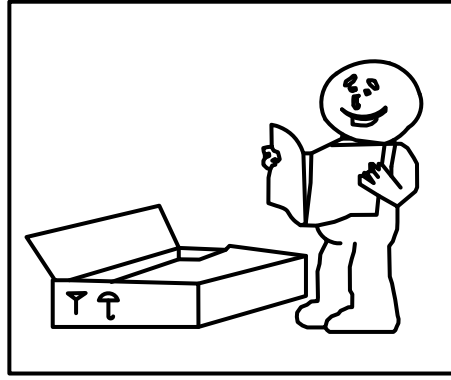
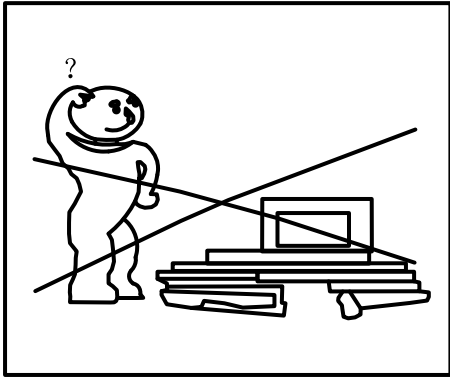


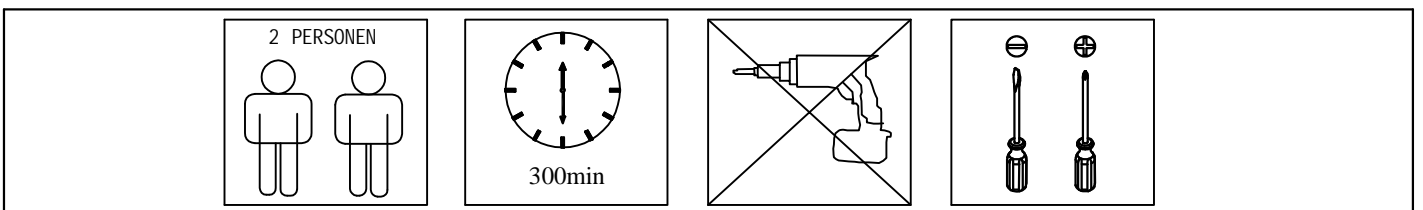
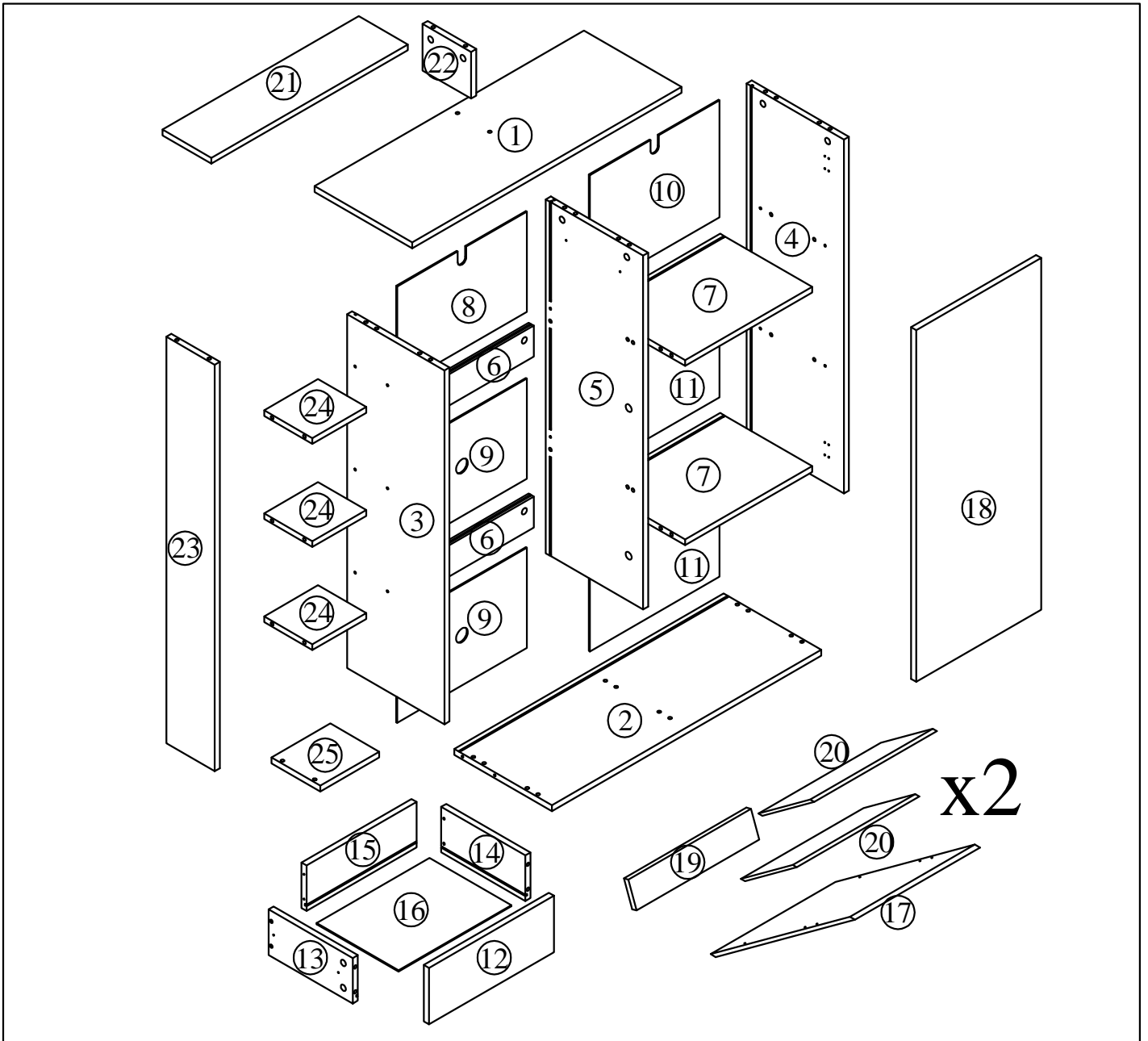
WOHNLING®

Möbel zum Wohlfühlen

WL6.878

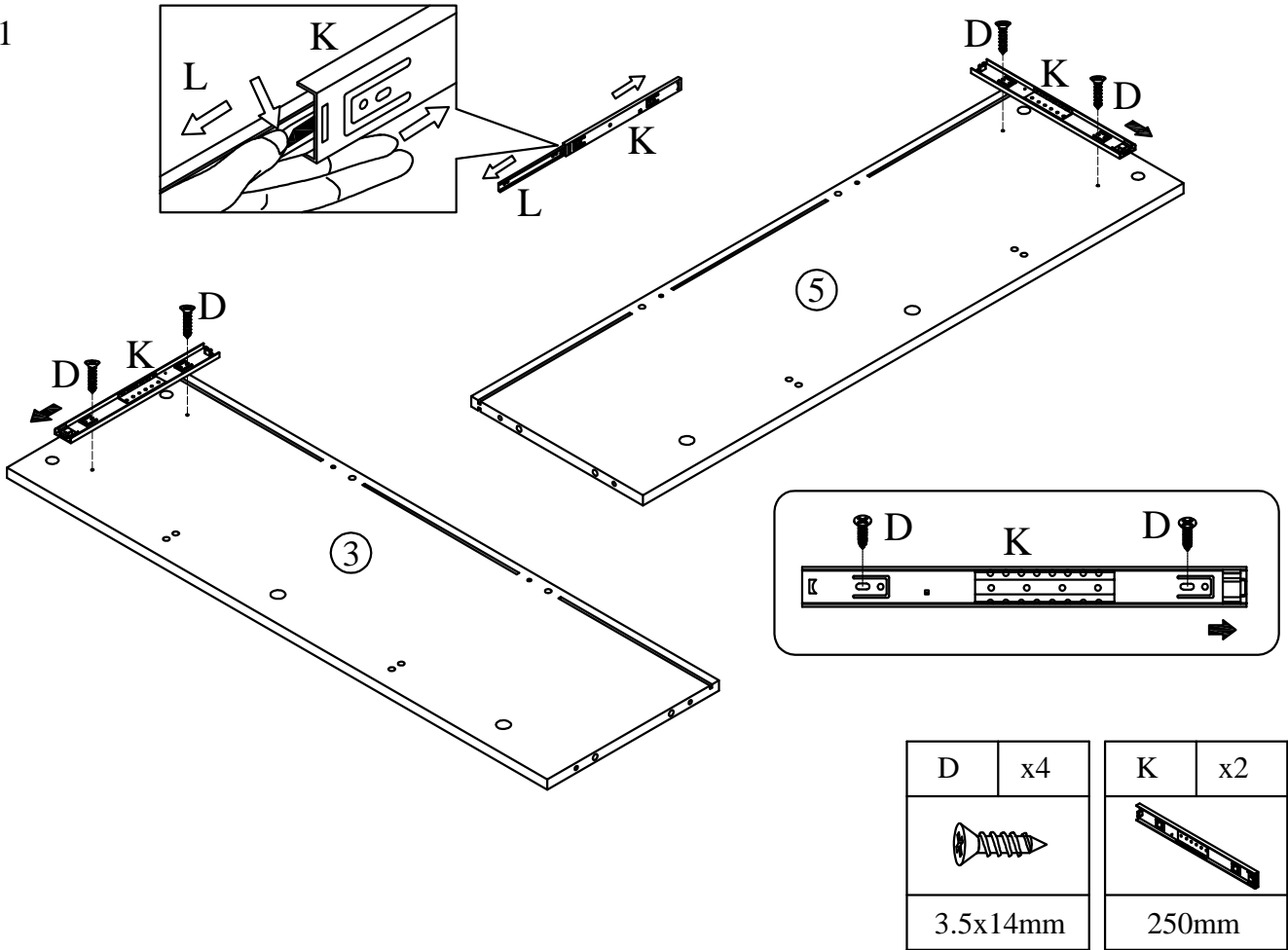




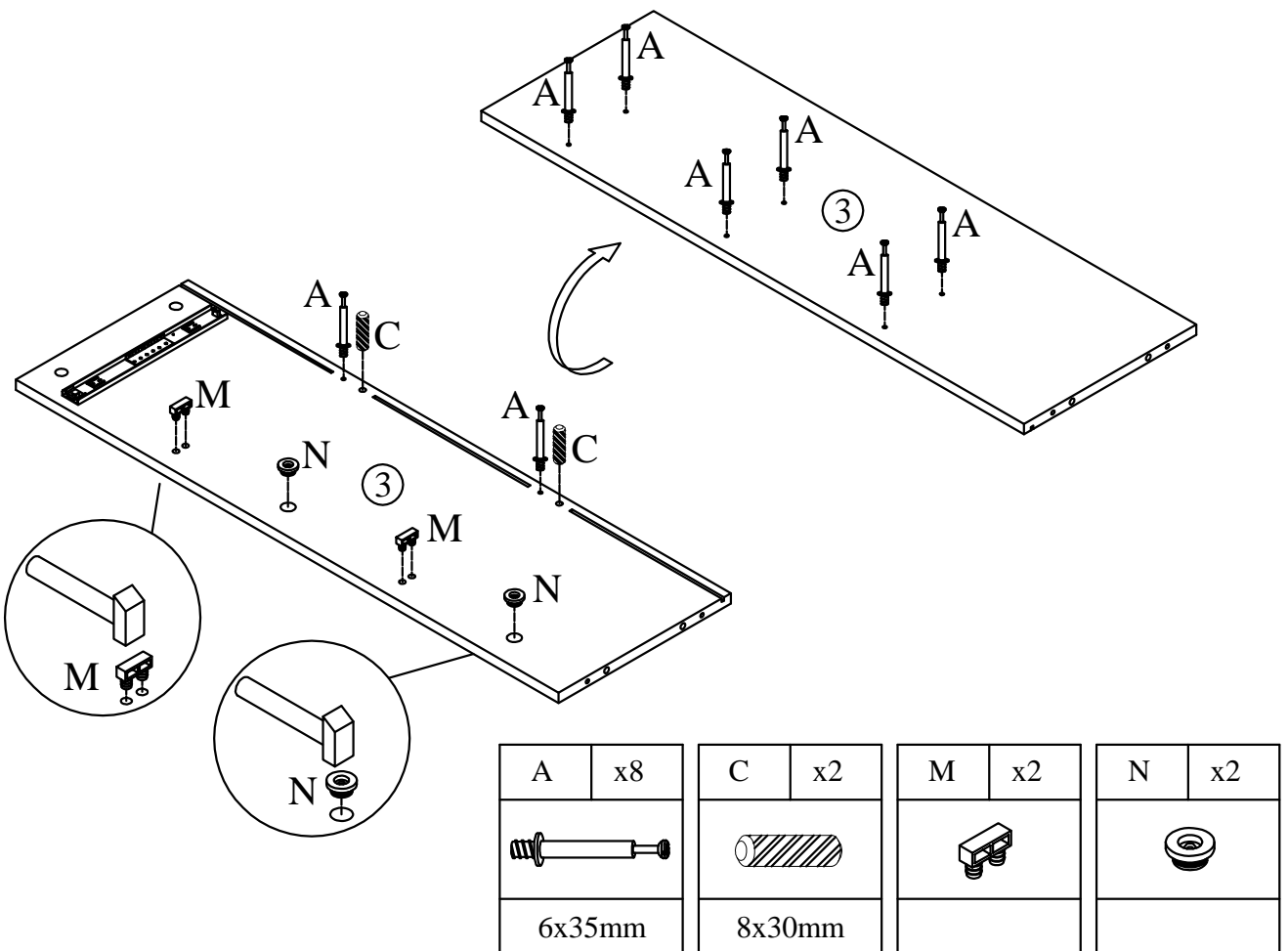


A	x40	B	x40	C	x24	D	x80	E	x10	F	x4	G	x1	H	x12	I	x2
6x35mm	Ø15x12mm	8x30mm	3.5x14mm	7x40mm	4x35mm	M4	4x20mm										
J	x4	K	x2	L	x2	M	x4	N	x4	O	x4	P	x2	Q	x2	R	x6
L100mm	250mm	250mm												Ø48x30mm			
S	x2	T	x2	U	x2	V	x2	W	x24								
4x14mm	75x30x15mm	4x35mm	6x30mm														

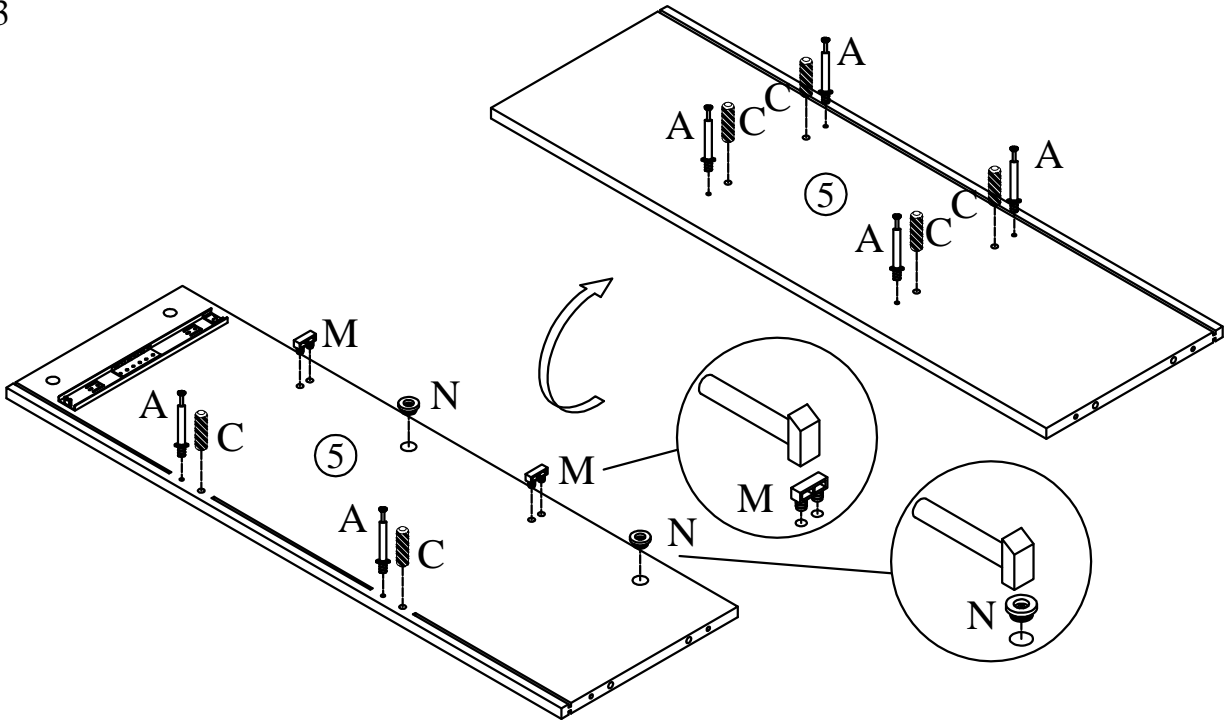
1

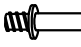





2

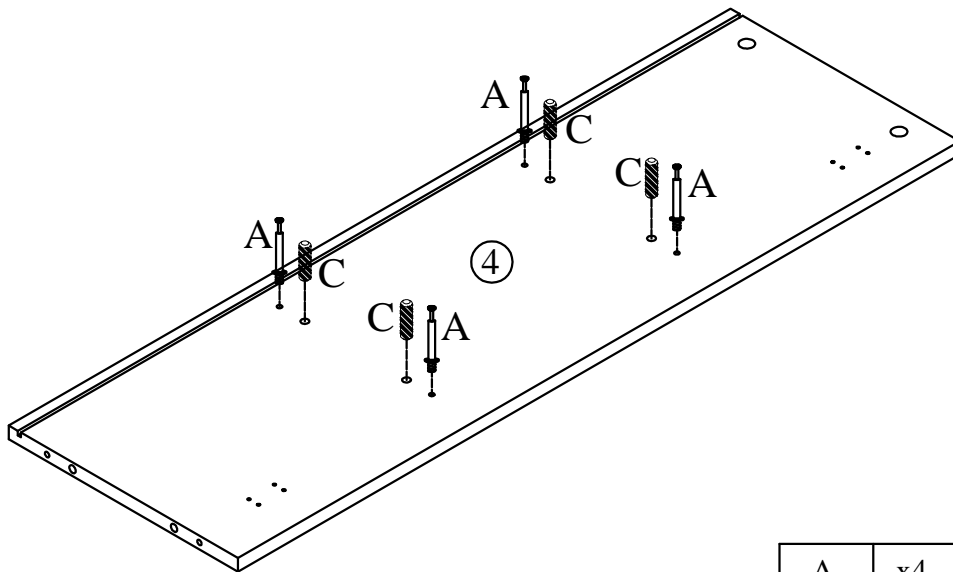


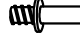

3



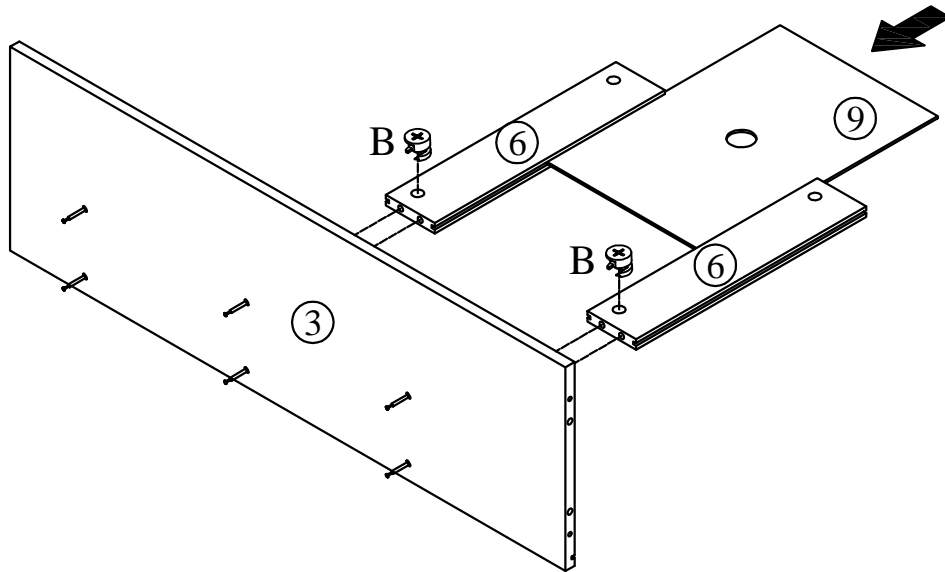
A	x6	C	x6	M	x2	N	x2
							
6x35mm		8x30mm					


4



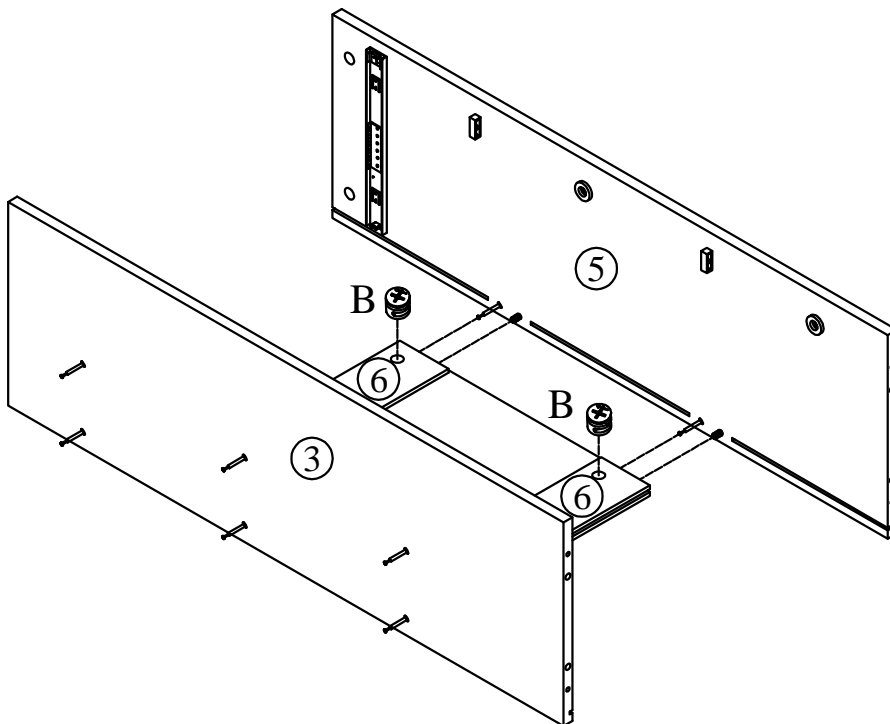
A	x4	C	x4
			
6x35mm		8x30mm	

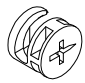
5



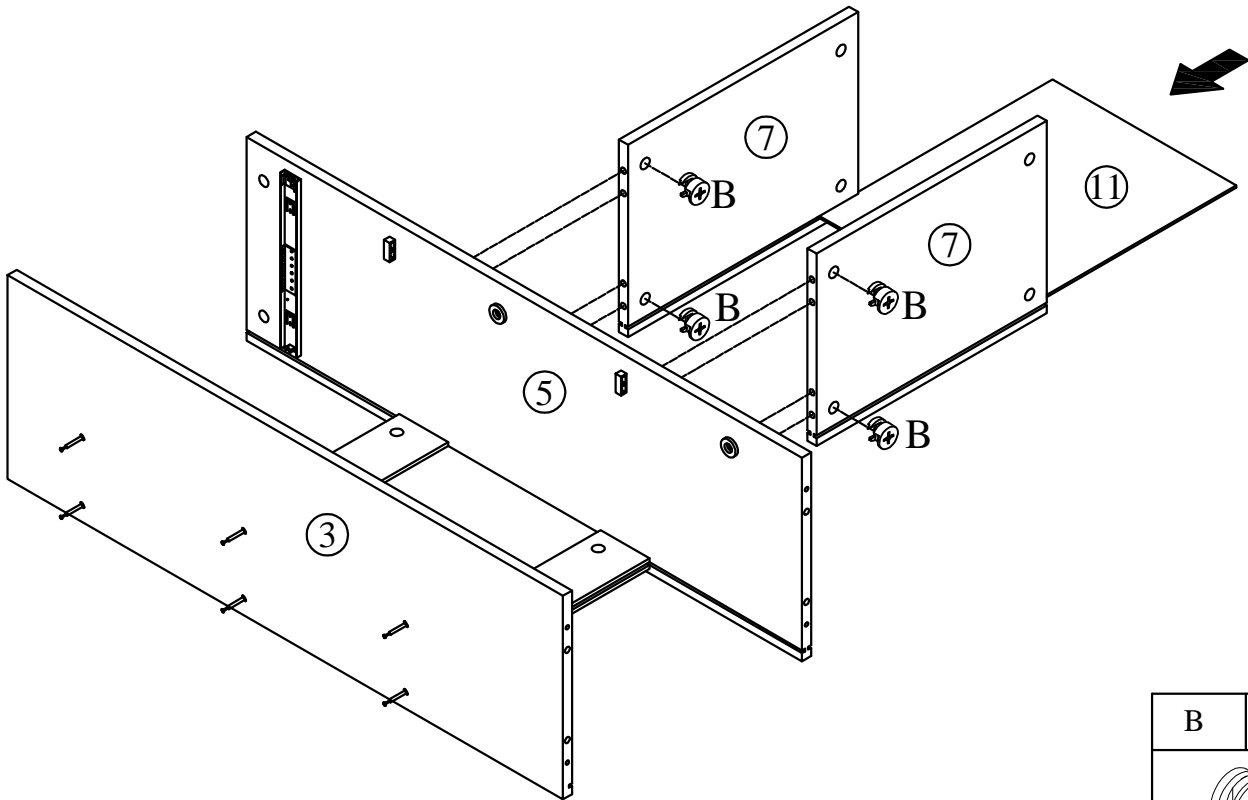
B	x2
	
$\text{Ø}15 \times 12 \text{mm}$	

6



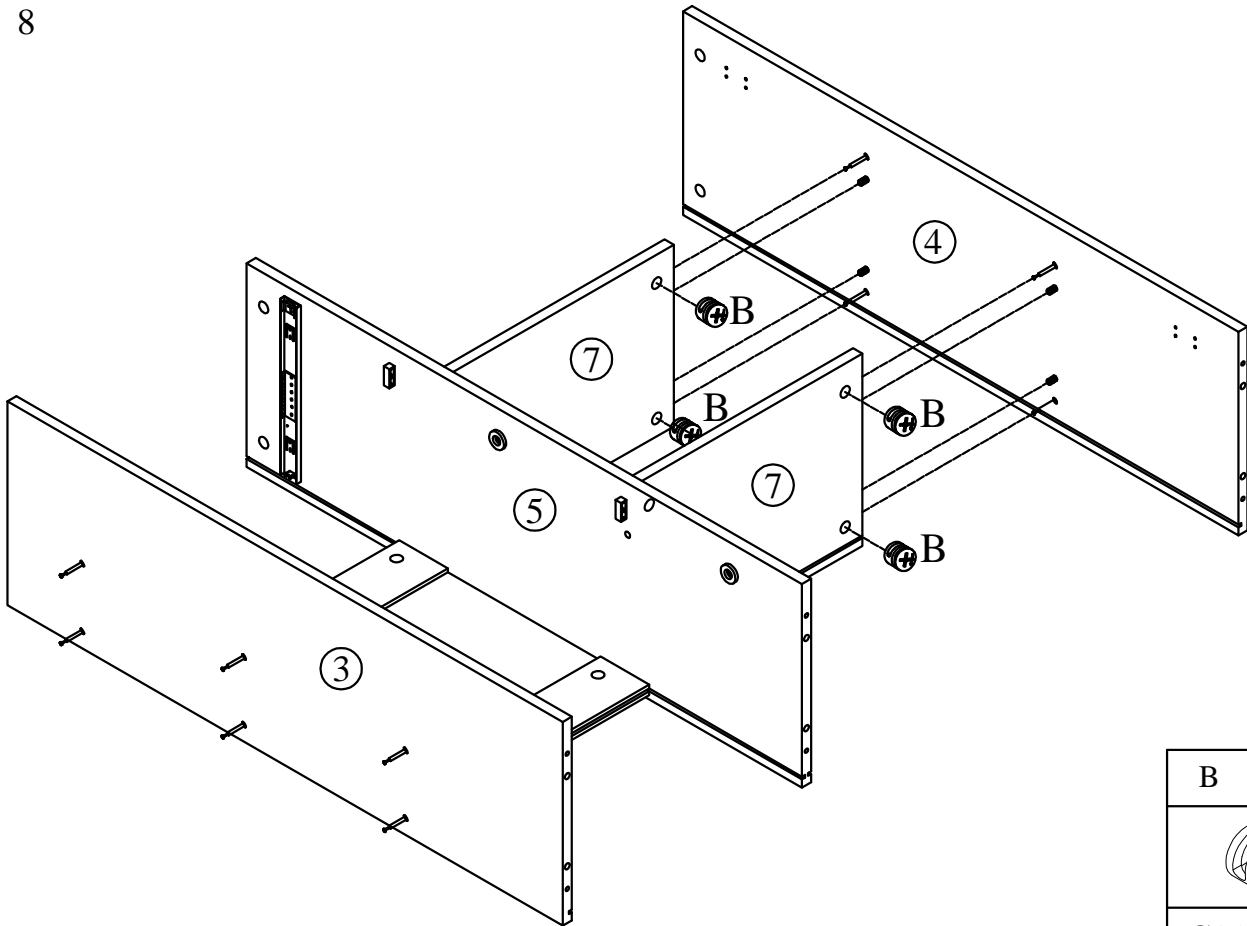
B	x2
	
$\text{Ø}15 \times 12 \text{mm}$	

7



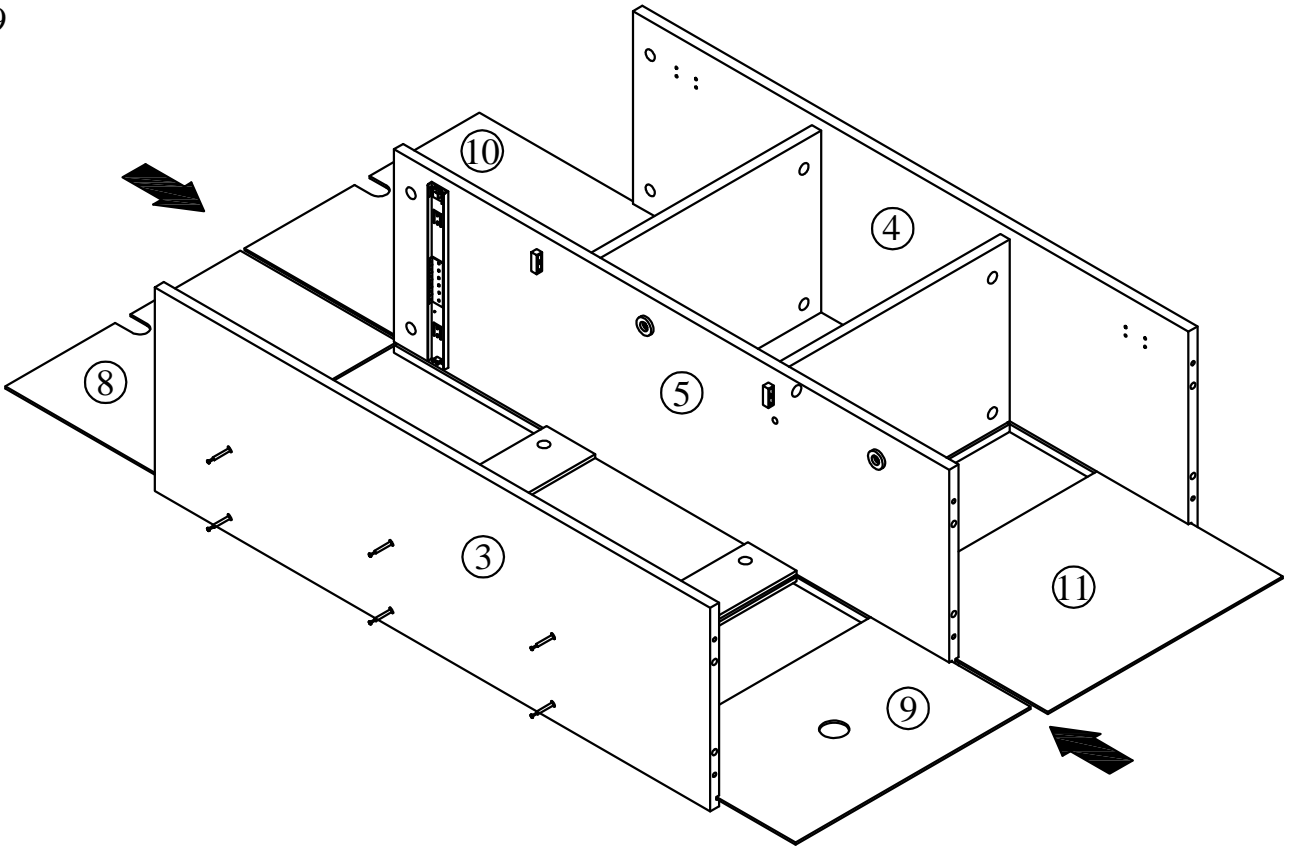
B	x4
Ø15x12mm	

8

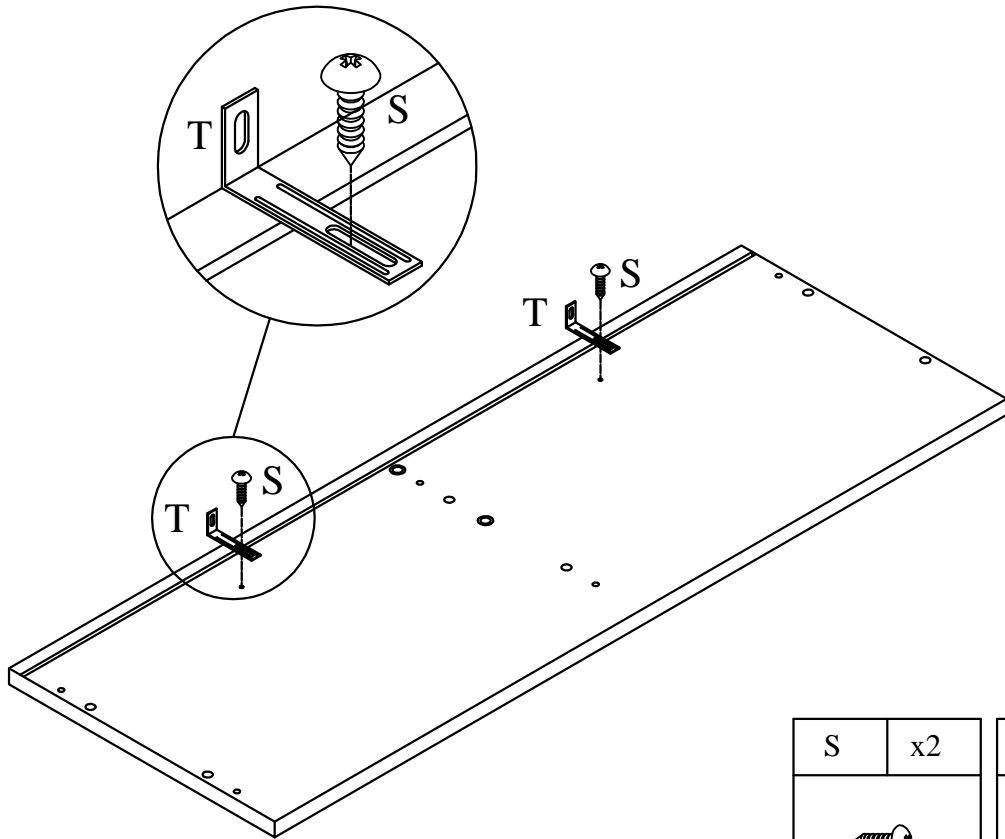



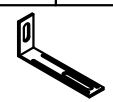
B	x4
Ø15x12mm	

9

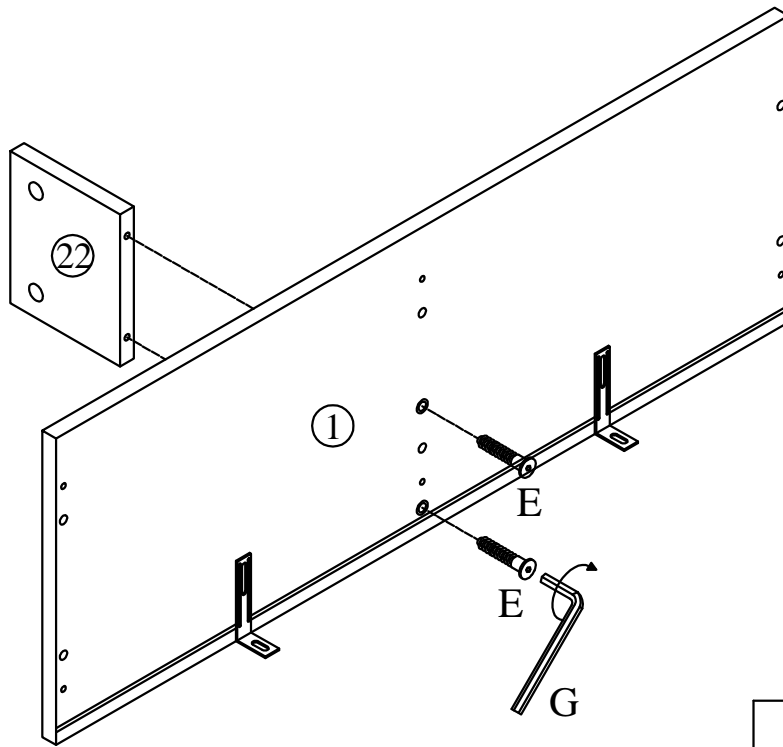




10



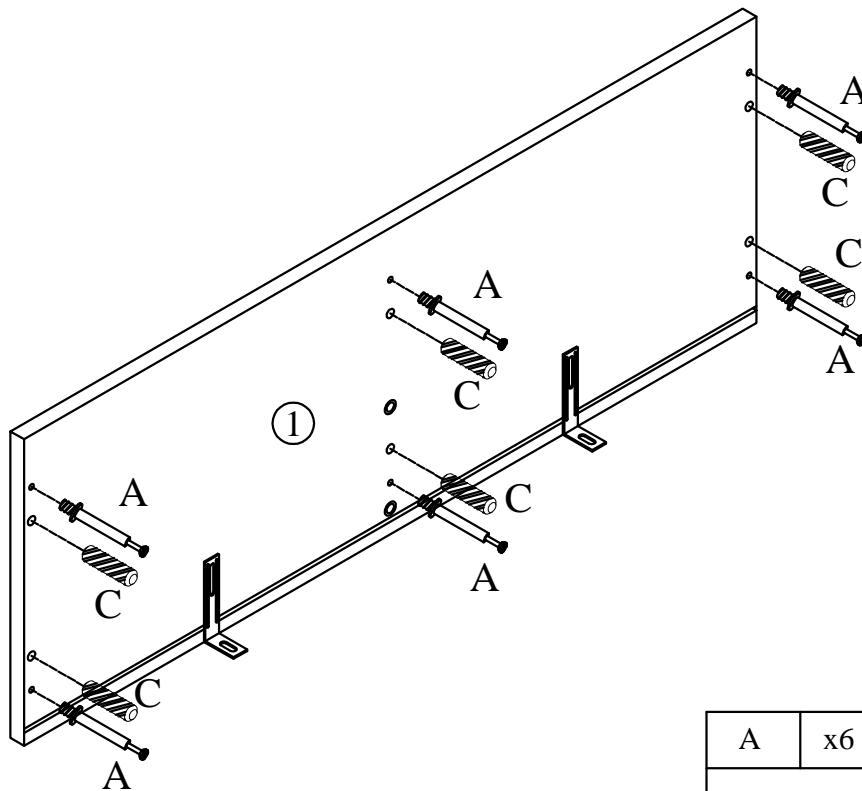
S	x2	T	x2
			
4x14mm		75x30x15mm	

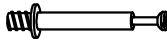

11



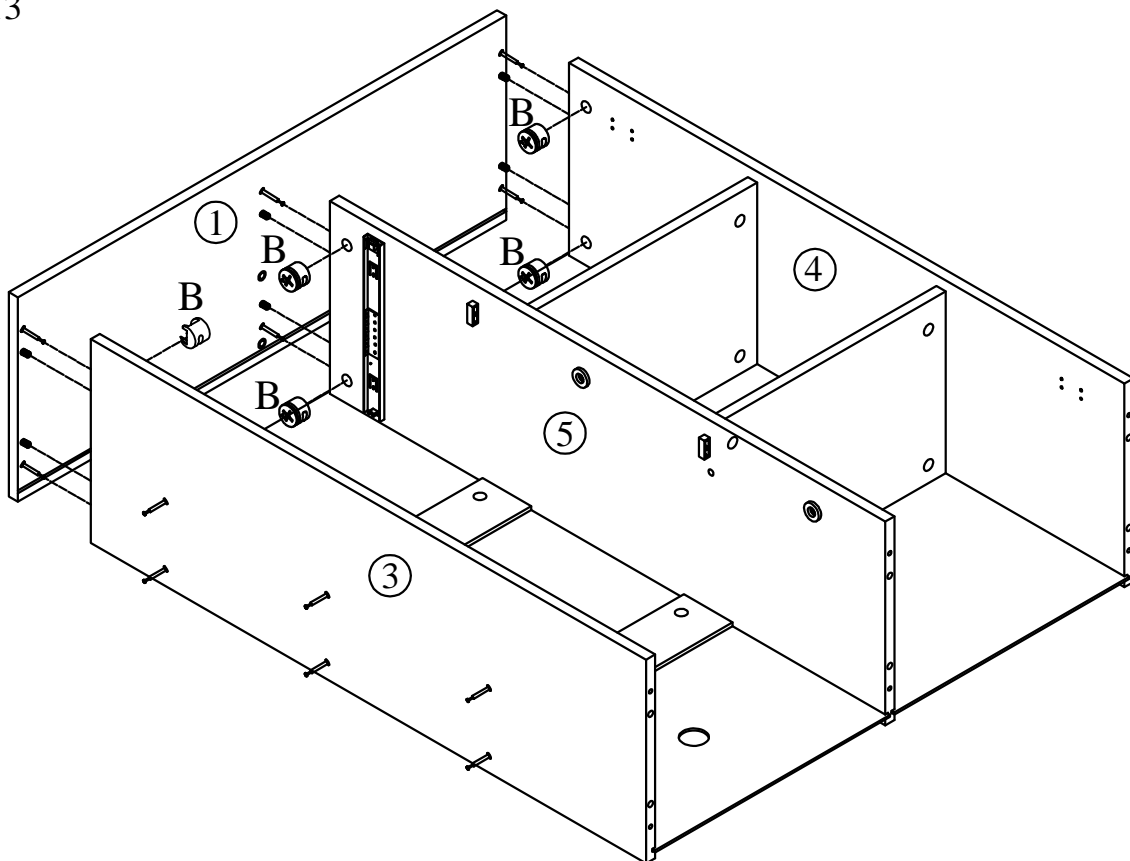
E	x2	G	x1
			
7x40mm		M4	

12



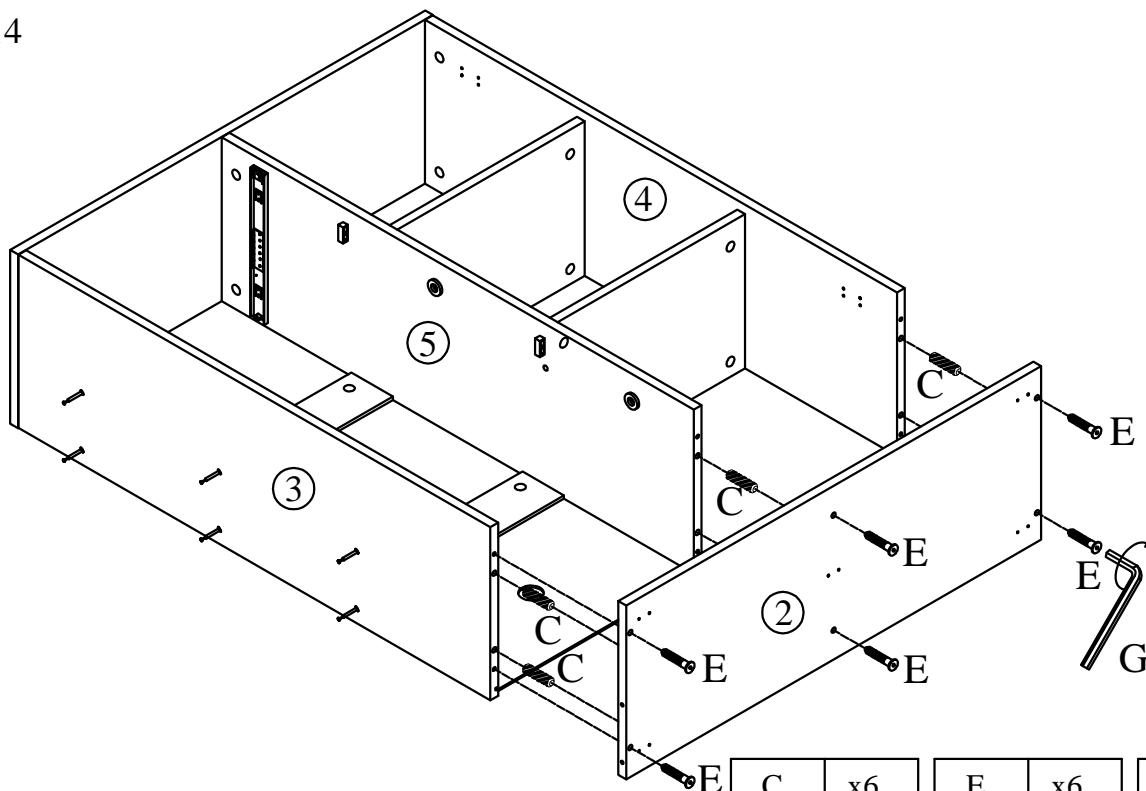
A	x6	C	x6
			
6x35mm		8x30mm	

13



B	x6
$\text{Ø}15 \times 12 \text{mm}$	

14

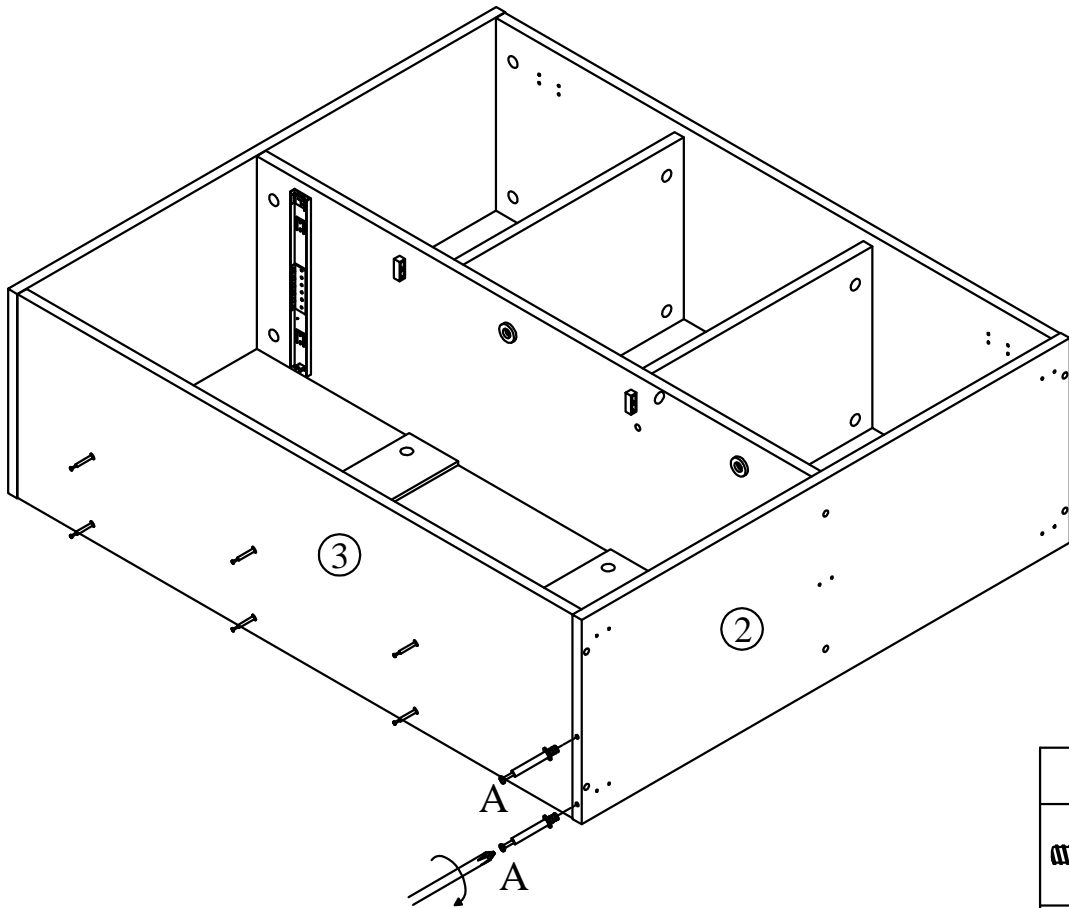


C	x6
$8 \times 30 \text{mm}$	

E	x6
$7 \times 40 \text{mm}$	

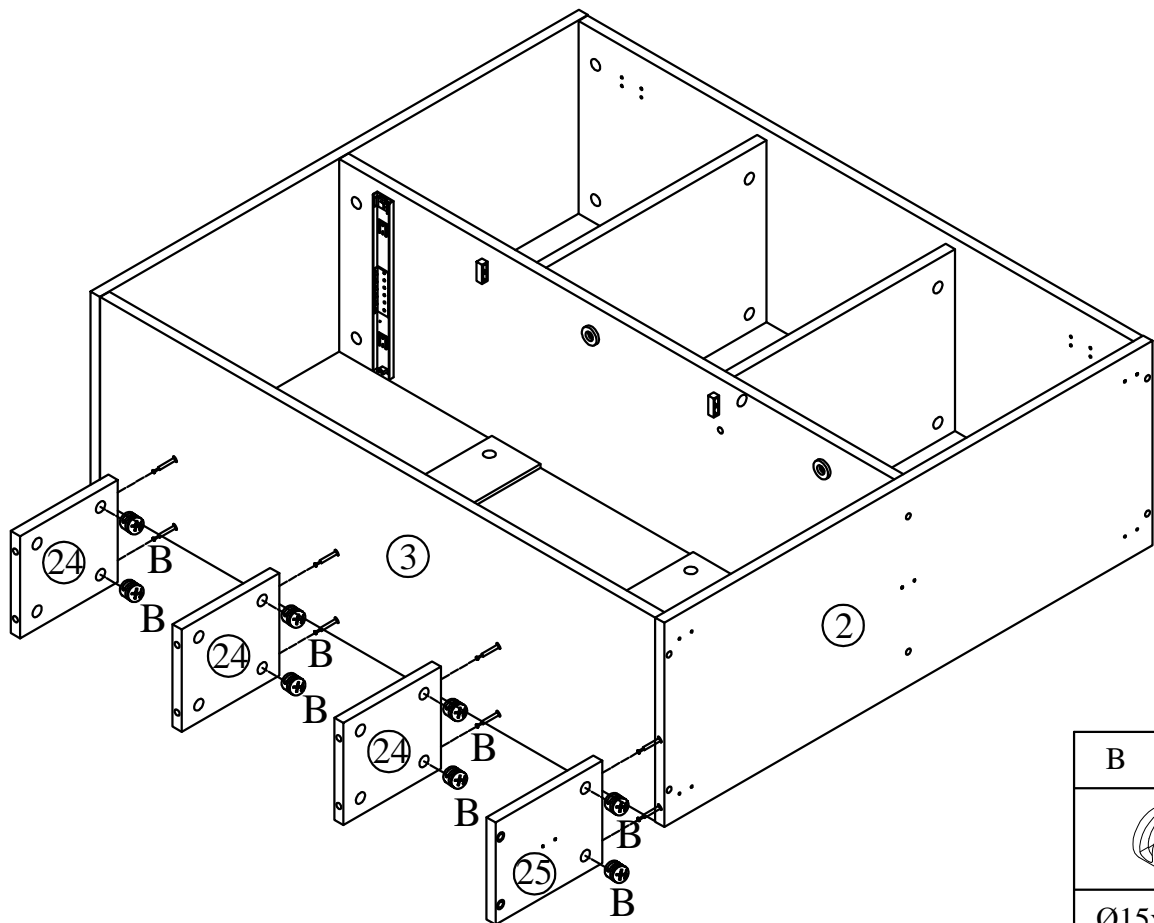
G	x1
$M4$	

15



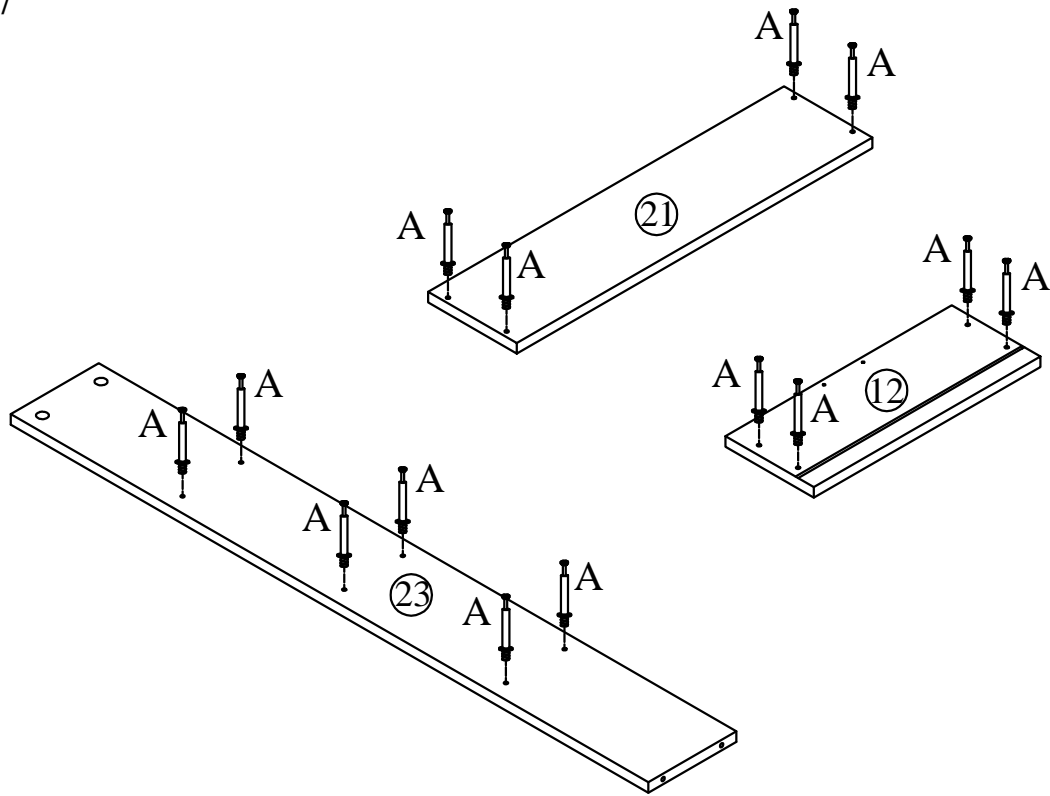
A	x2
6x35mm	

16



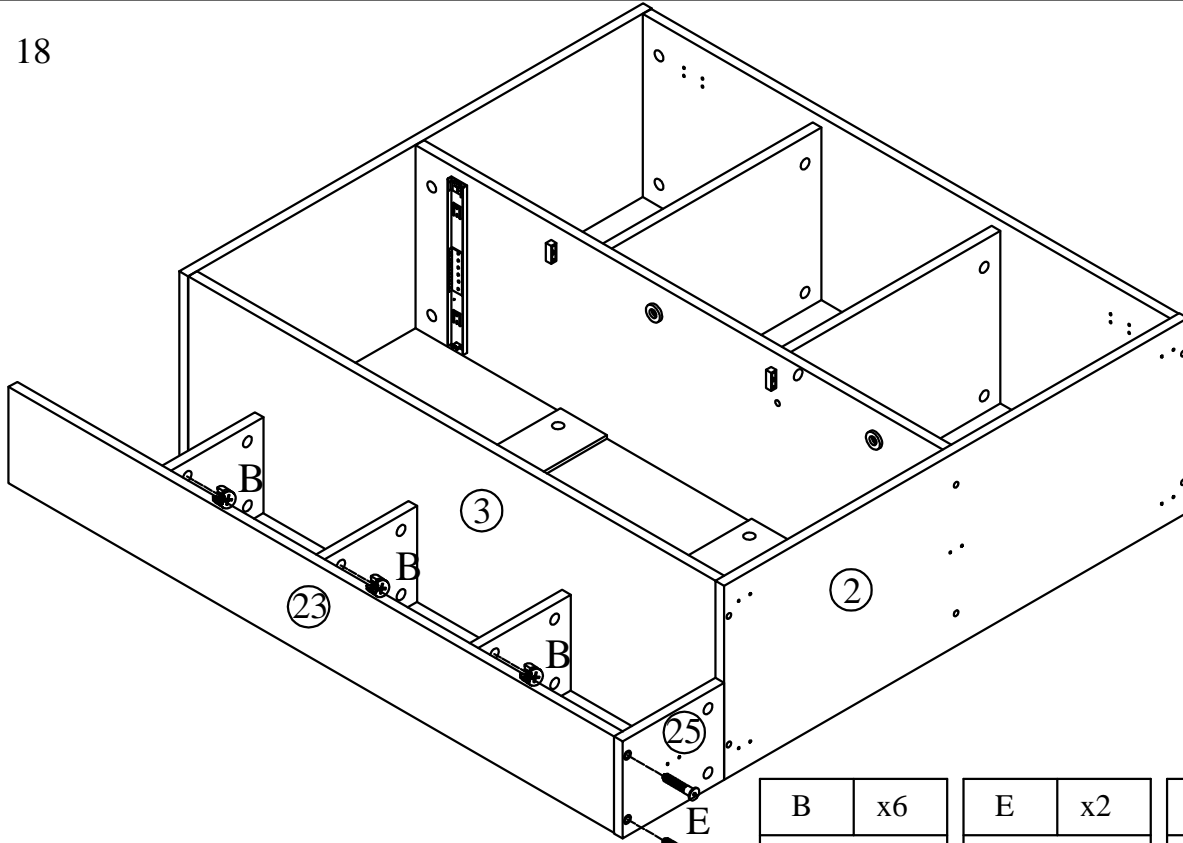
B	x8
Ø15x12mm	

17



A	x14
6x35mm	

18

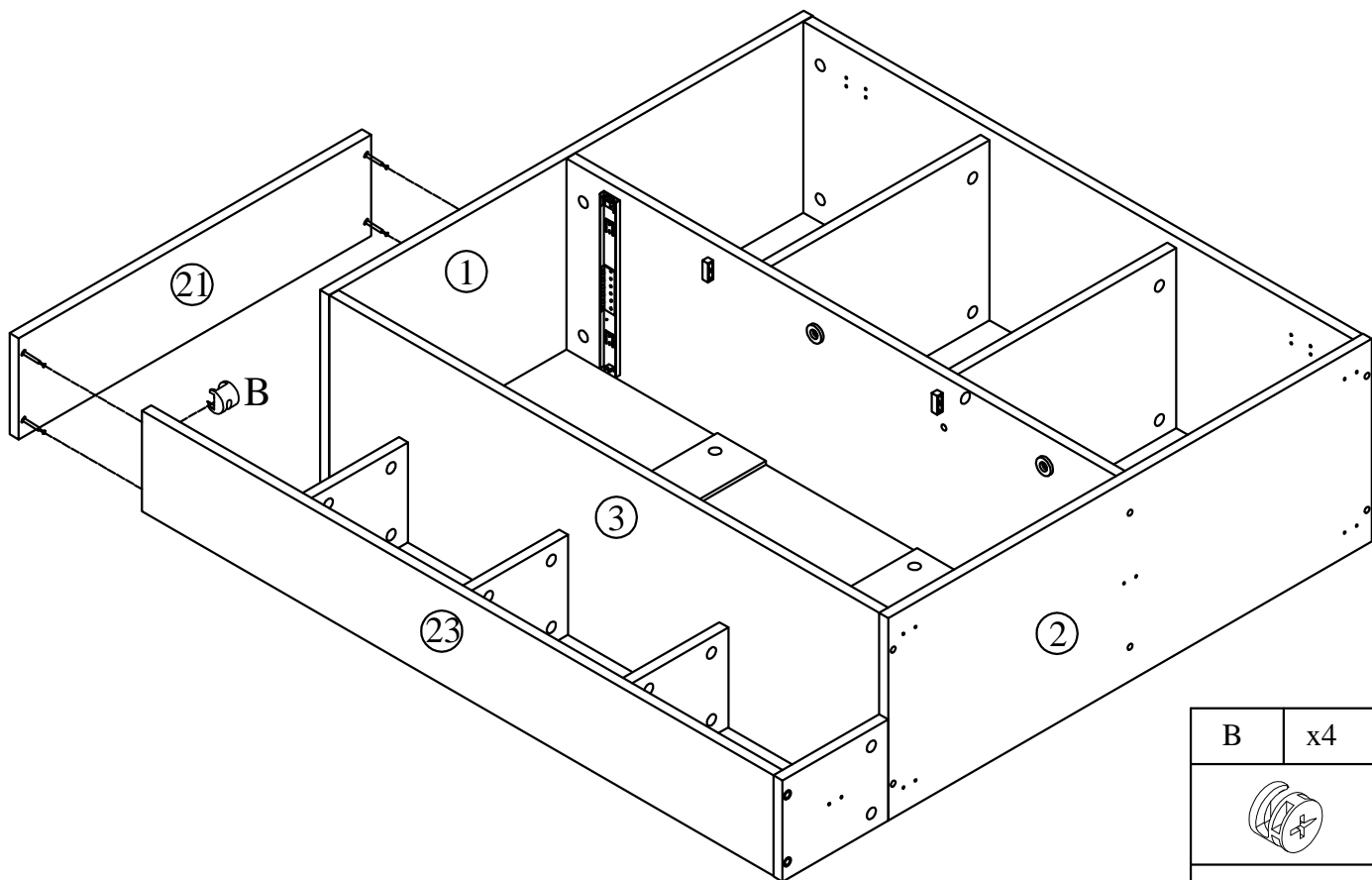


B	x6
Ø15x12mm	

E	x2
7x40mm	

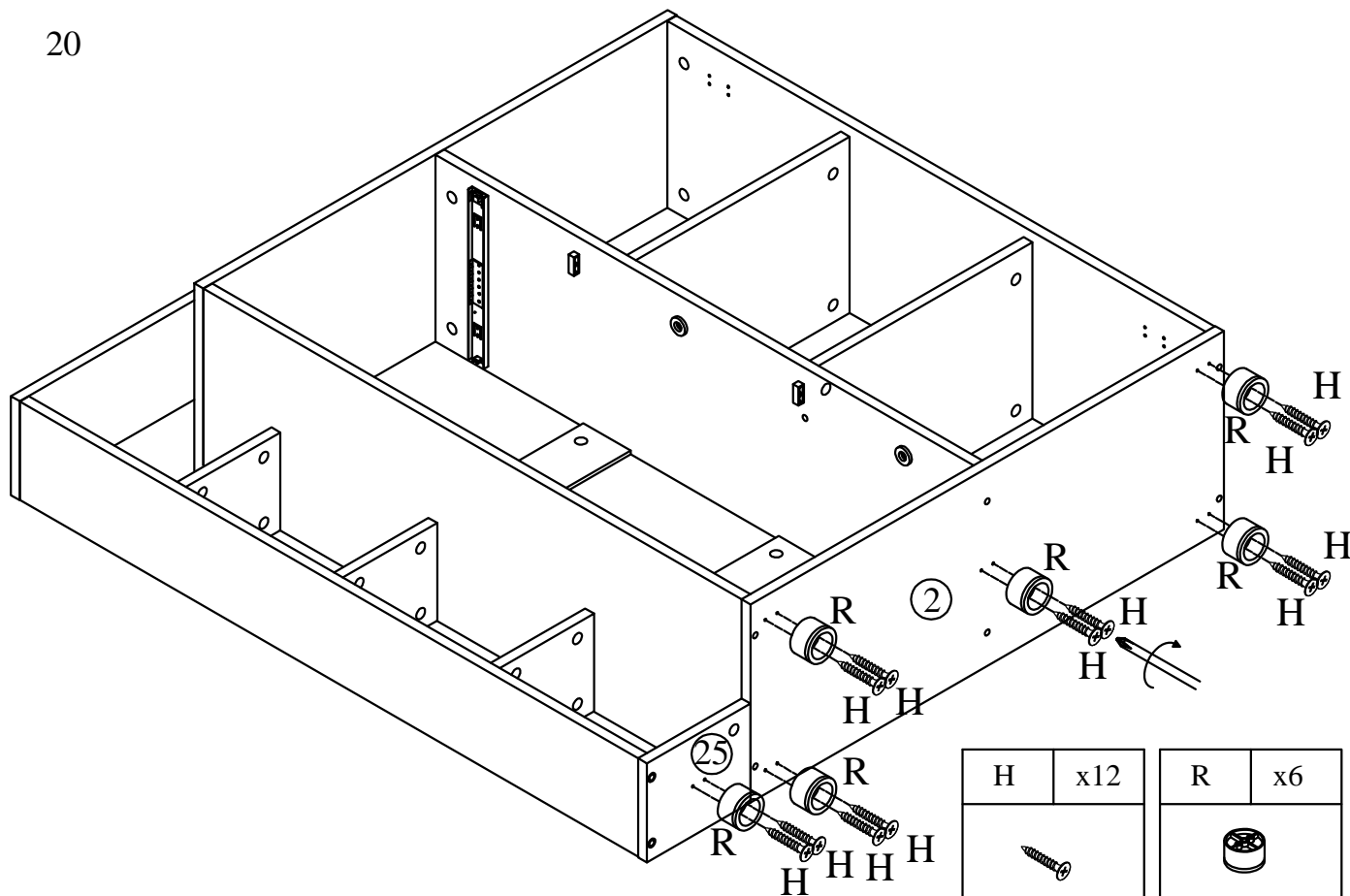
G	x1
M4	

19



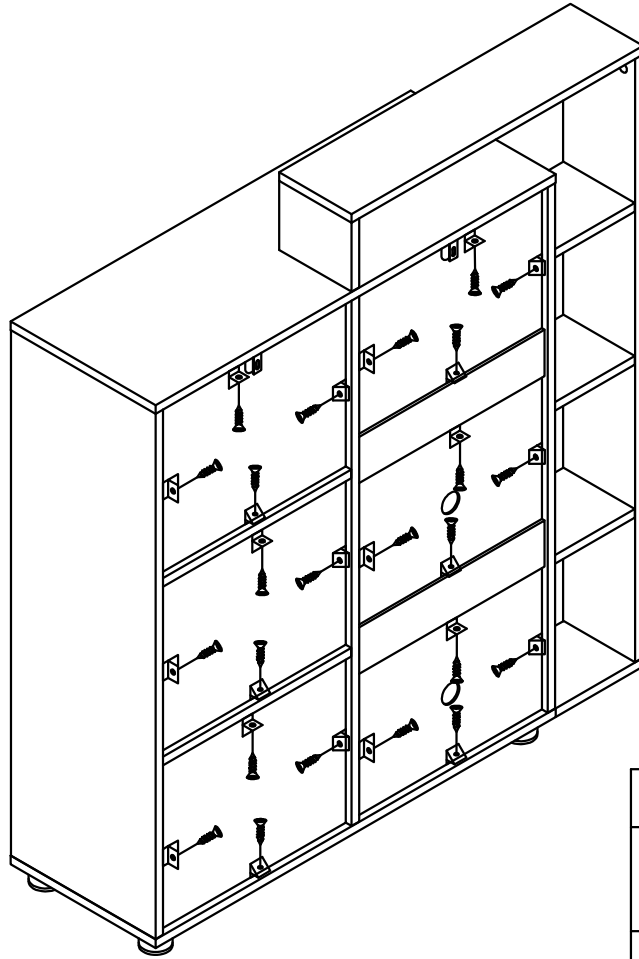
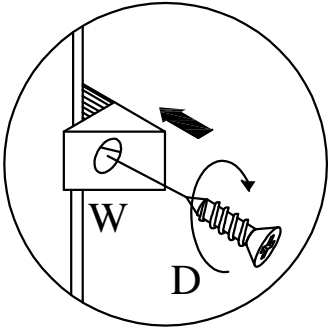
B	x4
Ø15x12mm	



20



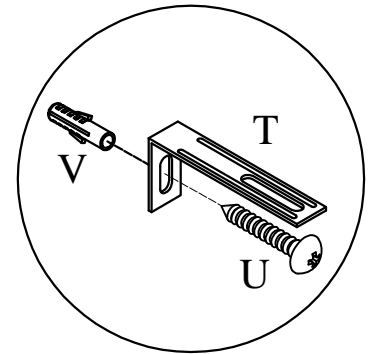
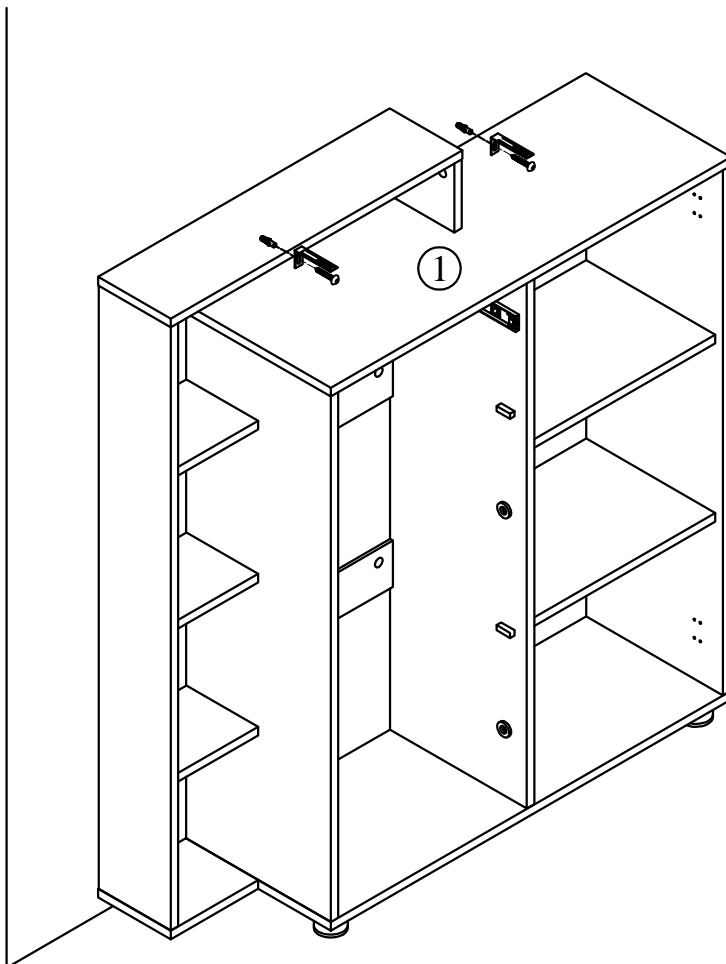
H	x12	R	x6
4x20mm		Ø48x30mm	



21



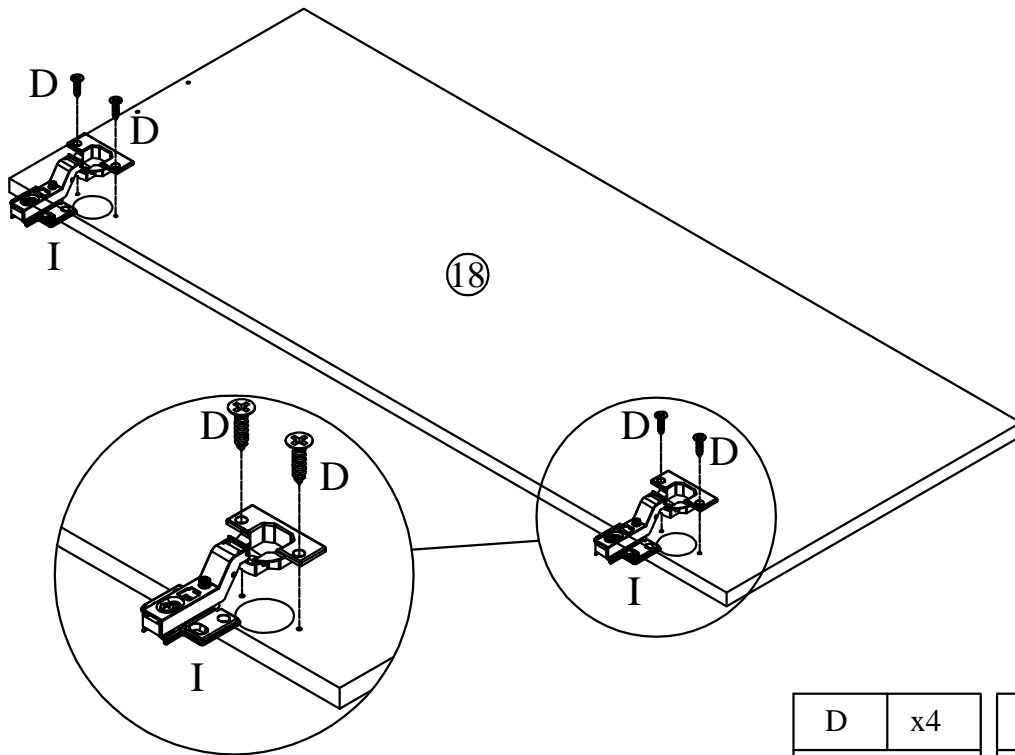
D	x24	W	x24
			
3.5x14mm			


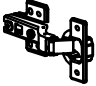
22



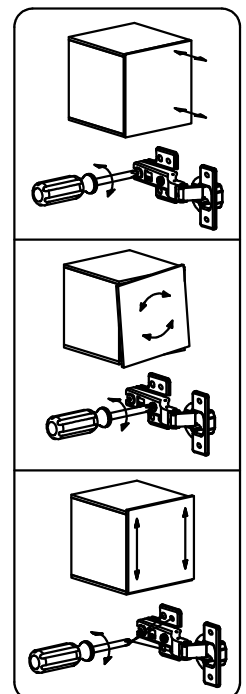
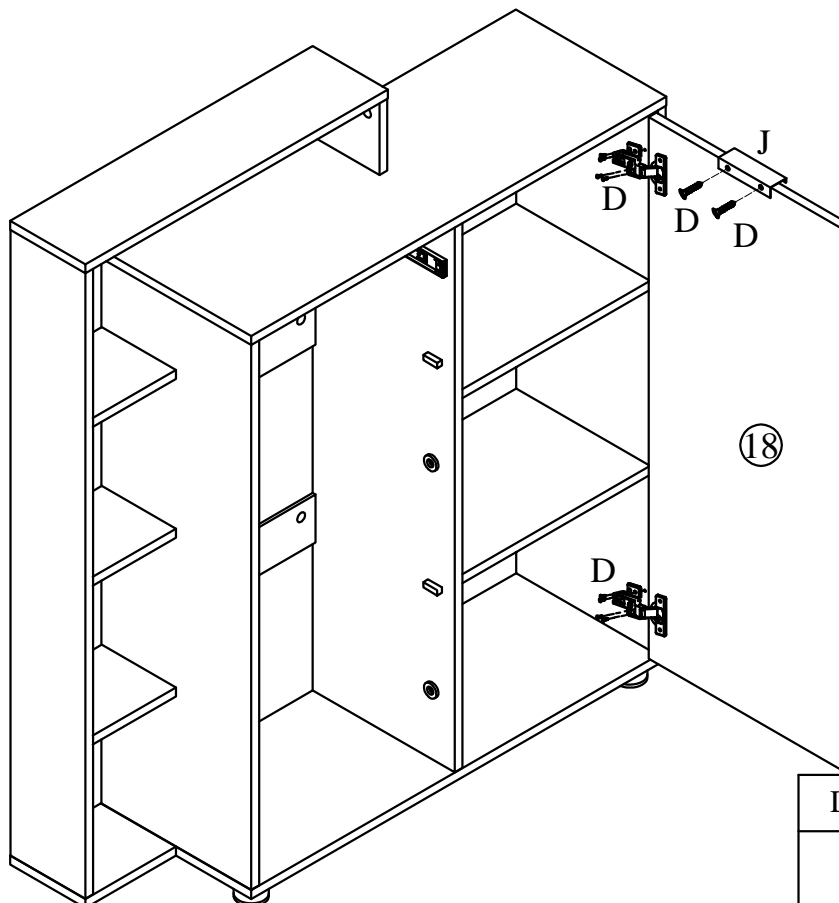
U	x2	V	x2
			
4x35mm		6x30mm	



23



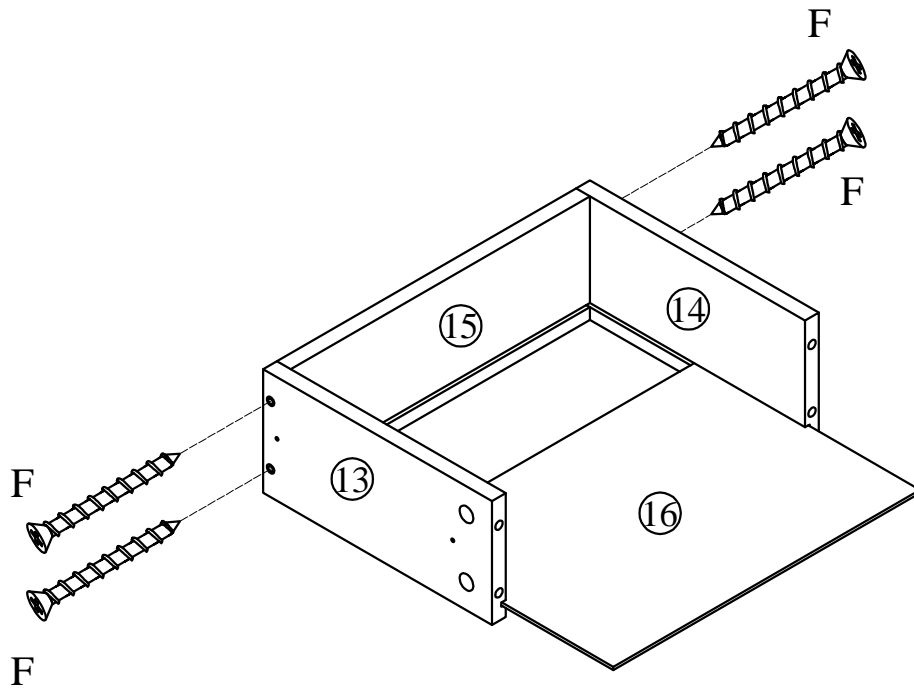
D	x4	I	x2
			
3.5x14mm			


24



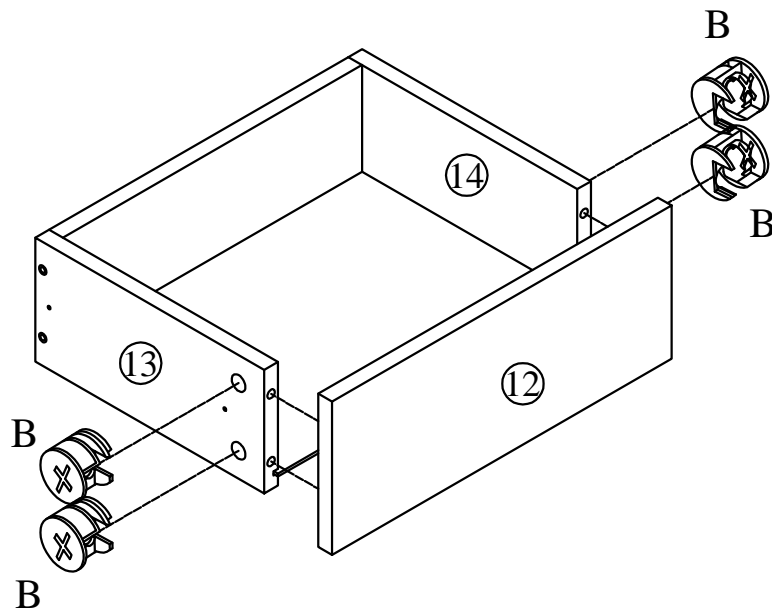
D	x10	J	x1
			
3.5x14mm		L100mm	


25



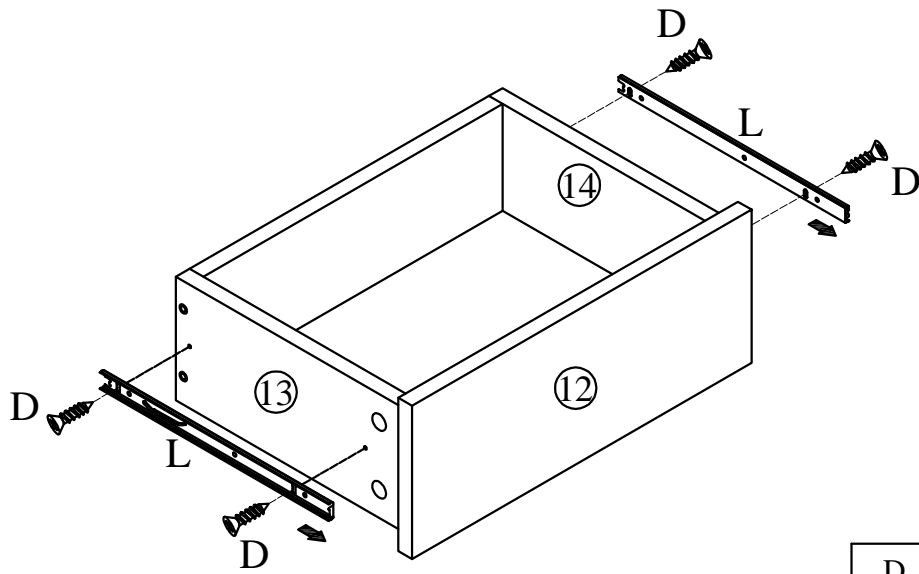
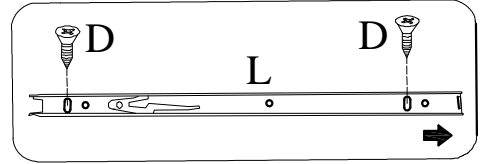
F	x4
	
4x35mm	



26



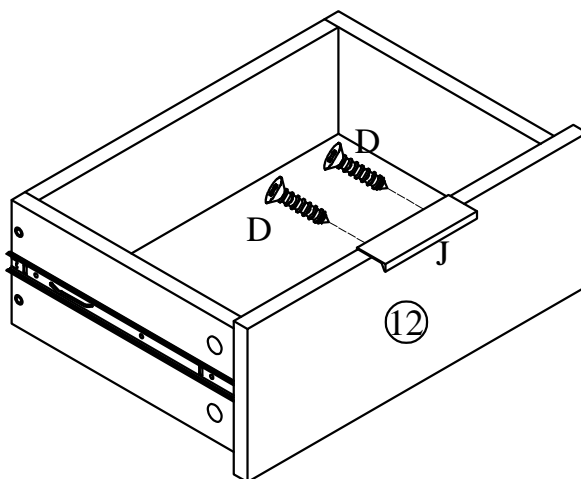
B	x4
	
Ø15x12mm	


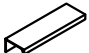
27



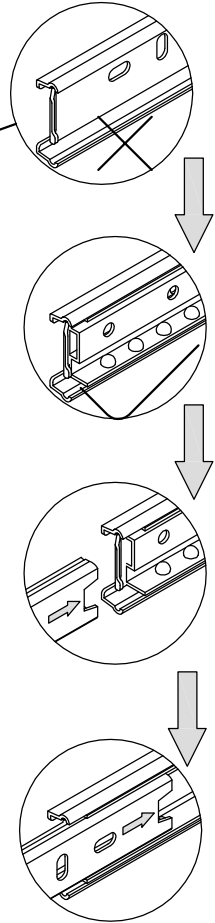
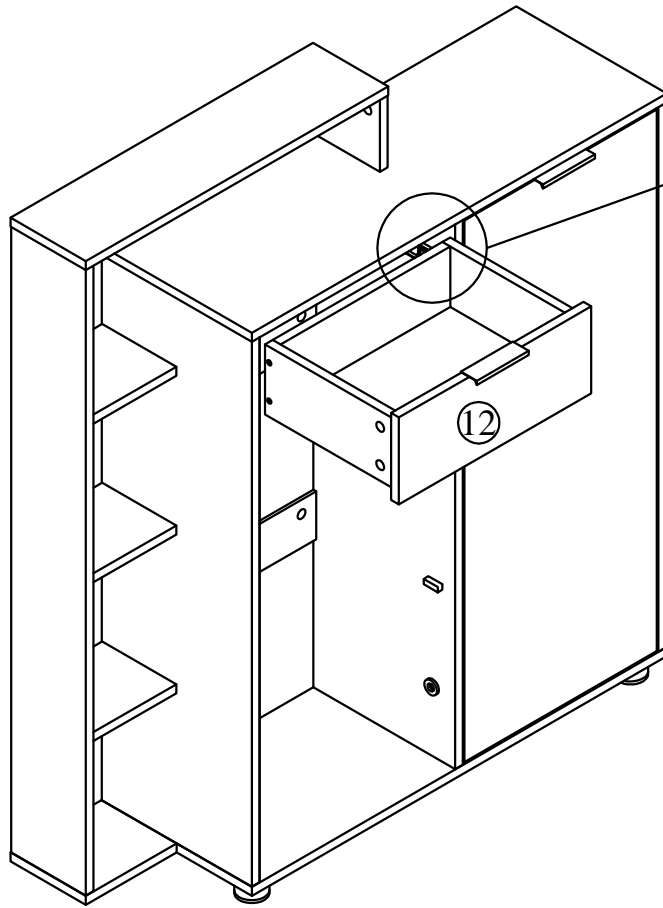
D	x4	L	x2
			
3.5x14mm		250mm	

28

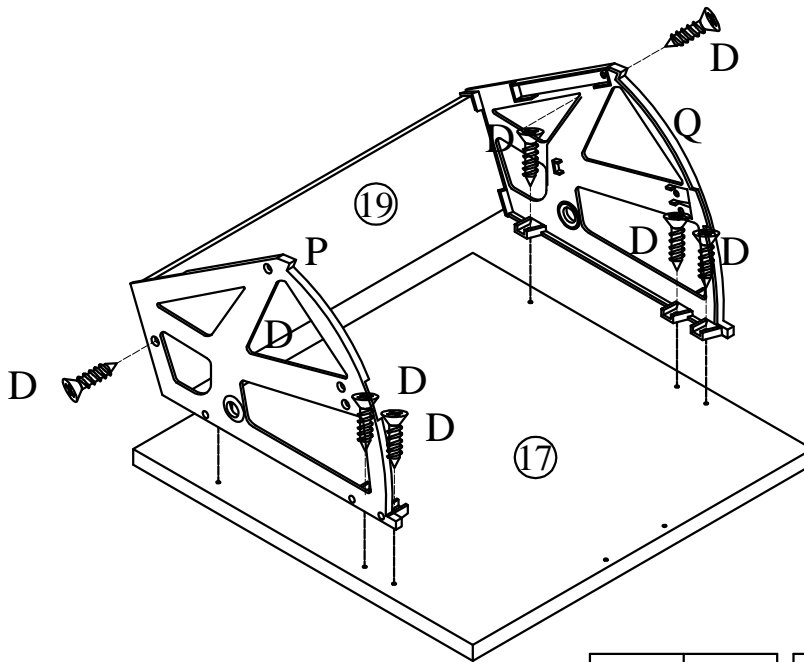


D	x2	J	x1
			
3.5x14mm		L100mm	




29



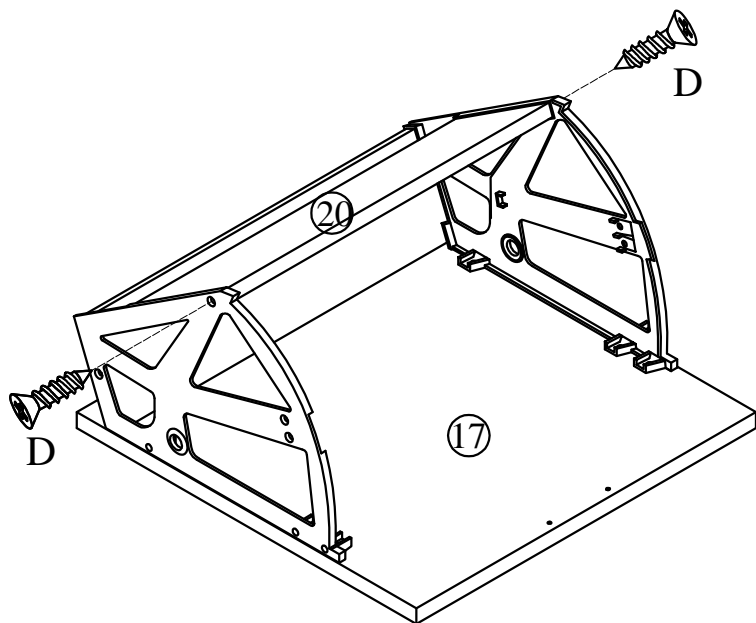
30




x2

D	x16	P	x2	Q	x2
					
3.5x14mm					

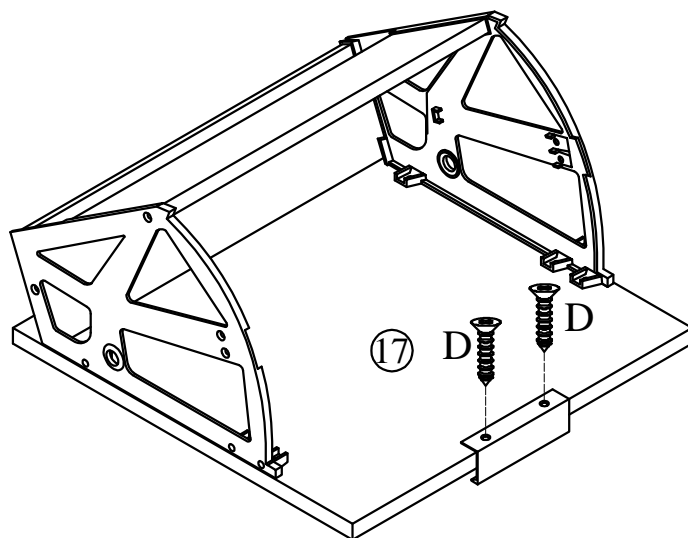
31





x2

D	x4
	
3.5x14mm	

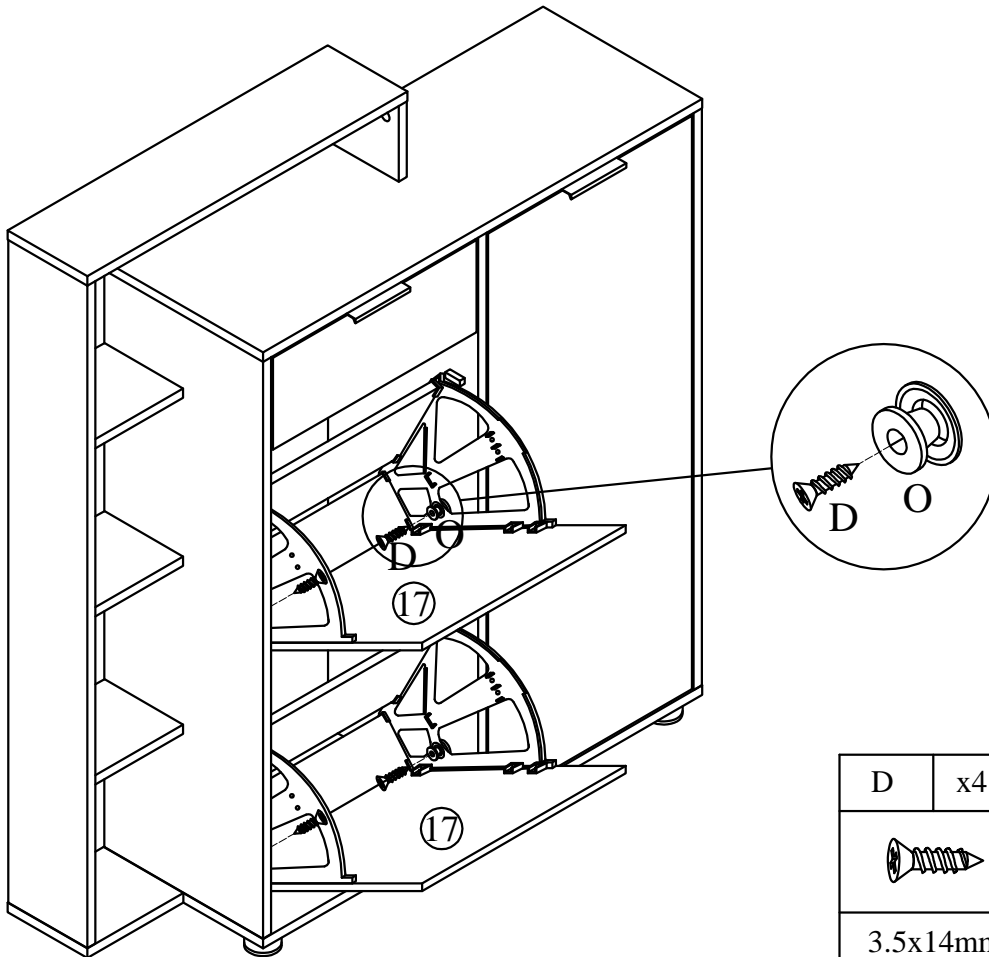
32





x2

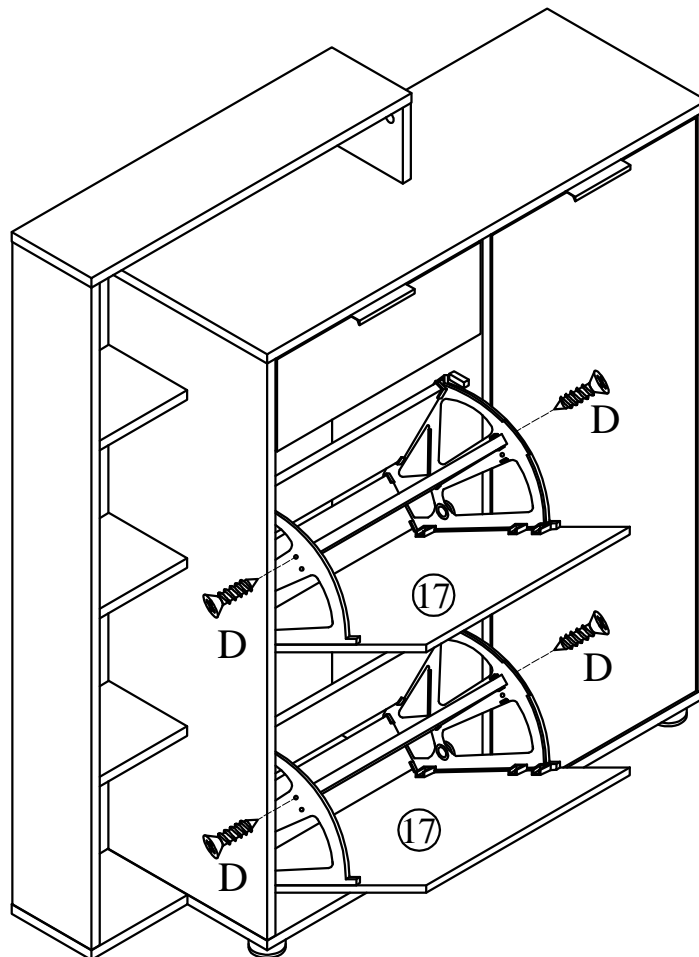
D	x4	J	x2
			
3.5x14mm		L100mm	


33



D	x4	O	x4
			
3.5x14mm			

34



D	x4
	
3.5x14mm	

