



Quick Installation Guide

Single phase All-in-one hybrid energy storage system

- ASW0400/1250A-S
- ASW0600/1250A-S
- ASW0800/1250A-S
- ASW1000/1250A-S
- ASW0400/2500A-S
- ASW0600/2500A-S
- ASW0800/2500A-S
- ASW1000/2500A-S



Android



iOS

1 GENERAL INFORMATION

This quick installation guide does not replace the description in the user manual.

The contents of this guide may be updated or revised due to product development. The information in this guide is subject to change without notice. The latest version of this document and the manual for installation, commissioning, configuration and decommissioning are to be found in PDF format at www.solplanet.net.

2 SAFETY

2.1 Intended use

The product is a All-in-one hybrid energy storage system with 1 or 2 MPP trackers and a internal battery connection that feeds the direct current of the PV array into the connected battery or converts it to grid-compliant single-phase current and then feeds it into the utility grid. The product also can convert the direct current supplied by the battery into grid-compliant single-phase current. The product has a backup function that can continue to supply the load with power from the battery or PV system in the event of a grid fault after the customer's inhouse main power switch is off.

The product is intended for indoor applications. Do not use in outdoor applications!

The product is equipped with an integrated high frequency transformer and therefore has galvanic isolation. The product should not be operated with PV modules which require functional grounding of either the positive or negative PV conductors.

All components must remain within their permitted operating ranges and their installation requirements at all times.

Use the product only in accordance with the information provided in the user manual and with the locally applicable standards and directives. Any other application may cause personal injury or damage to property.

The product must only be used in countries for which it is approved by AISWEI and the grid operator.

The type label must be permanently attached to the product and must be in a legible condition.

This document does not replace any regional, state, provincial, federal or national laws,

regulations or standards that apply to the installation, electrical safety and use of the product.

2.2 Important safety instructions

The product has been designed and tested strictly according to the international safety requirements. As with all electrical or electronic devices, there are residual risks despite careful construction. To prevent personal injury and property damage and to ensure long-term operation of the product, read this section carefully and observe all safety information at all times.

DANGER

Danger to life due to electric shock when touching live components in backup mode!

Even if the AC breaker are disconnected, the parts of the system may still be live when the battery is switched on due to backup mode.

- Do not open the product.
- Disconnect the product from all voltage and energy sources and ensure it can not be reconnected before working on the product.

DANGER

Danger to life due to fire or explosion when batteries are fully discharged!

A fire may occur due to incorrect charging of fully discharged batteries. This can result in death or serious injury.

- Make sure that the battery is not fully discharged before commissioning the system.
- Contact the battery manufacturer for further proceedings if the battery is fully discharged.
- The battery in the product need be charged if the product has been stored more than half a year.

WARNING

Danger to life due to electric shock from destruction of the measuring device due to overvoltage!

Overvoltage can damage a measuring device and result in voltage being present in the enclosure of the measuring device. Touching the live enclosure of the measuring device results in death or lethal injuries due to electric shock.

- Only use measuring devices with the measurement span higher than the grid voltage.

CAUTION

Risk of burns due to high temperature.

Some parts of the enclosure can become hot during operation.

- During operation, do not touch any parts other than the enclosure lid of the product.

CAUTION

Risk of injury due to weight of product .

Injuries may result if the product is lifted incorrectly or dropped while being transported or mounted.

- Transport and lift the product carefully. Take the weight of the product into account.
- Wear suitable personal protective equipment for all work on the product.

2.3 Symbols on the label



Beware of a danger zone!

This symbol indicates that the product must be additionally grounded if additional grounding or equipotential bonding is required at the installation site.



Beware of high voltage and operating current!

The inverter operates at high voltage and current. Work on the inverter must only be carried out by skilled and authorized electricians.



Beware of hot surfaces!

The inverter can get hot during operation. Avoid contact during operation.



WEEE designation

Do not dispose of the product together with the household waste but in accordance with the disposal regulations for electronic waste applicable at the installation site.



CE marking

The product complies with the requirements of the applicable EU directives.



Certification mark

The product has been tested by TUV and got the quality certification mark.



RCM (Regulatory Compliance Mark)

The product complies with the requirements of the applicable Australian standards.



Capacitor discharge

Danger to life due to high voltages in the inverter. Do not touch live parts for 10 minutes after disconnection from the power sources.



Observe the documentation

Observe all documentation supplied with the product.

Within the scope of the EU directives

Radio Equipment Directive 2014/53/EU

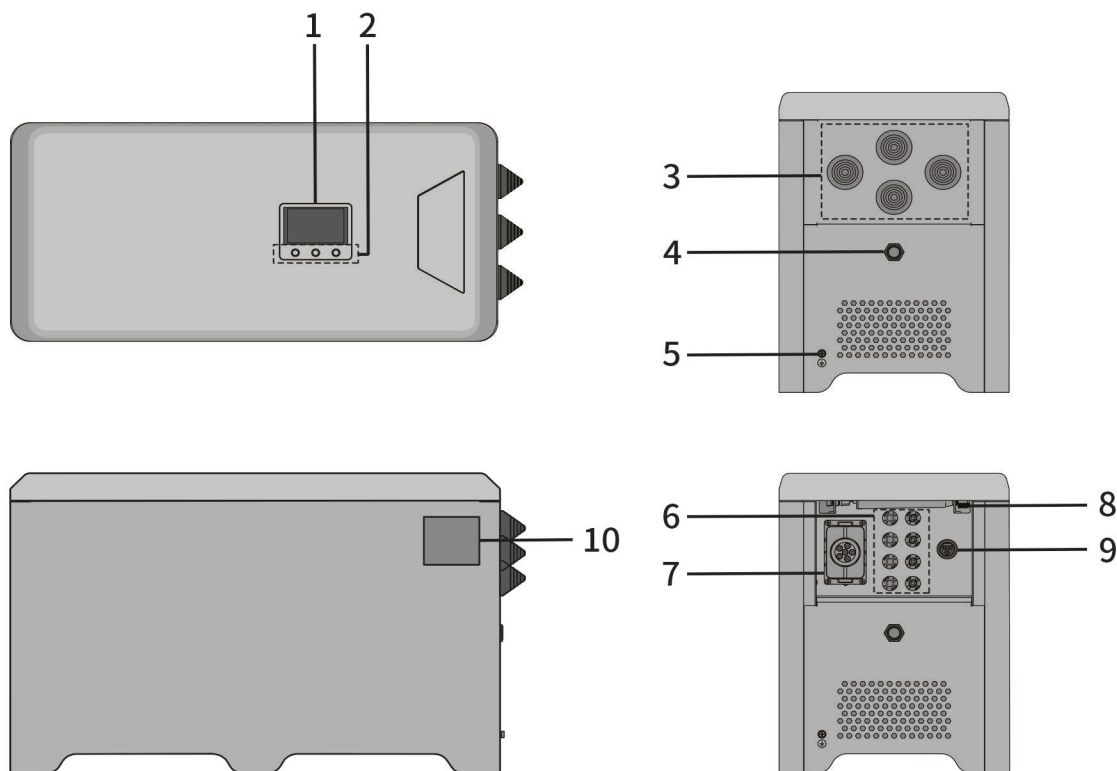
(L 153/62-106. May 22. 2014) (RED)

Restriction of the use of certain hazardous substances 2011/65/EU

(L 174/88, June 8, 2011) and 2015/863/EU (L 137/10, March 31,2015) (RoHS)

ALSWEI New Energy Technology (Yangzhong) Co., Ltd. confirms herewith that the products described in this document are in compliance with the fundamental requirements and other relevant provisions of the above mentioned directives. The entire EU Declaration of Conformity can be found at www.solplanet.net.



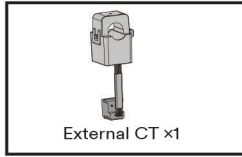
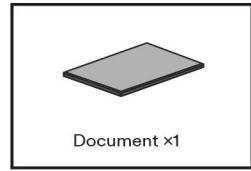
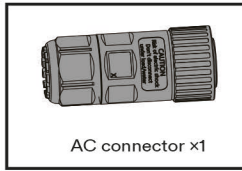
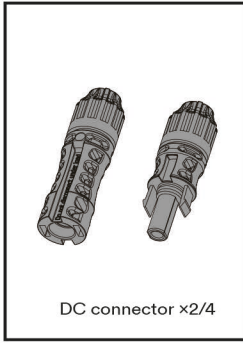
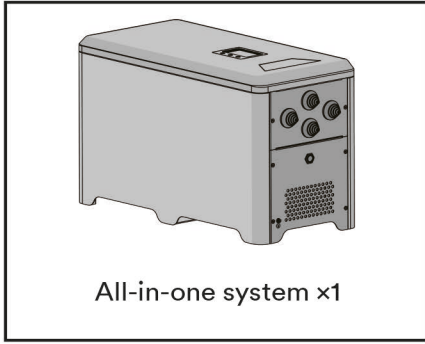


Object	Description
1	Display Screen
2	Button Control Area
3	Wiring area
4	Battery button
5	Secondary Grounding Wire Screw
6	PV Terminal
7	Communication wiring area
8	Communication Stick Interface
9	AC Terminal
10	WiFi Stick QR code

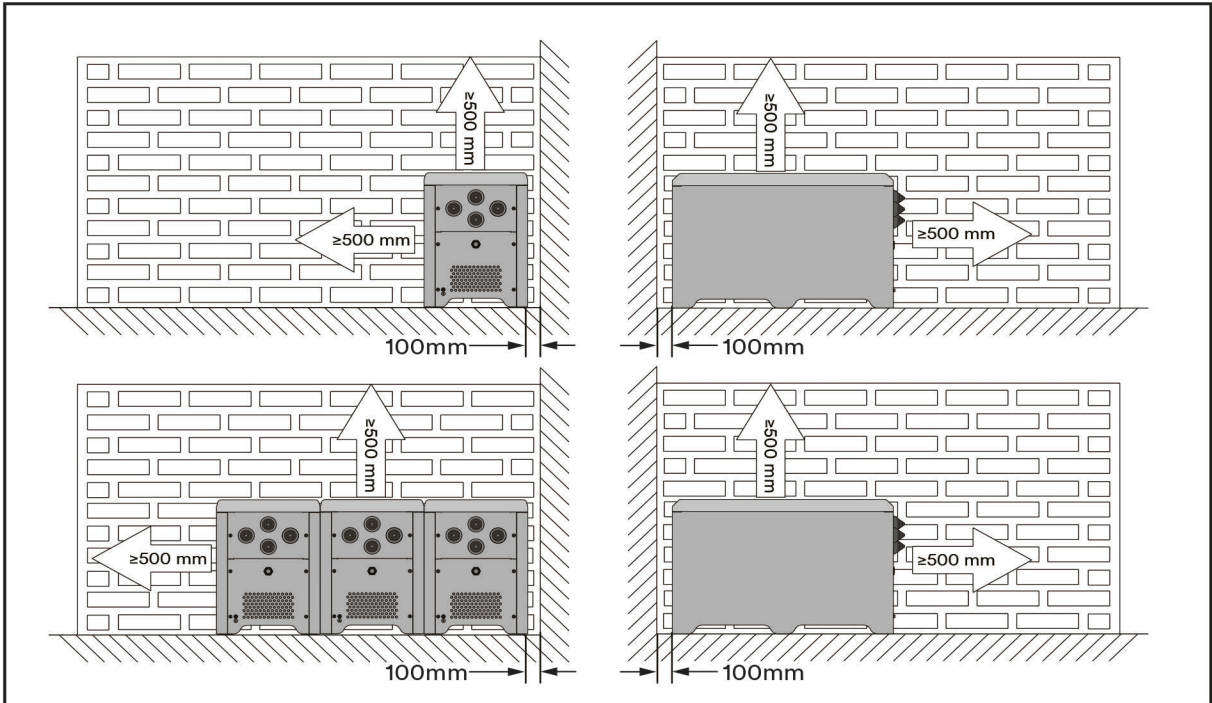
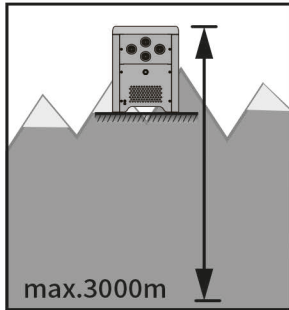
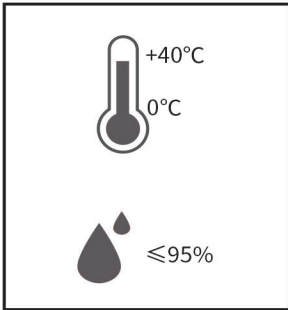


Instructions for display screen and APP please refer to "User Manual "

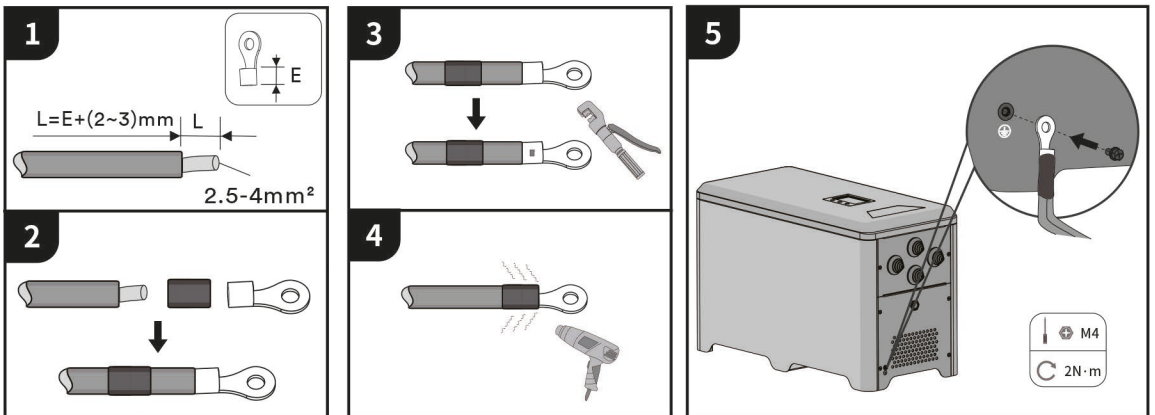
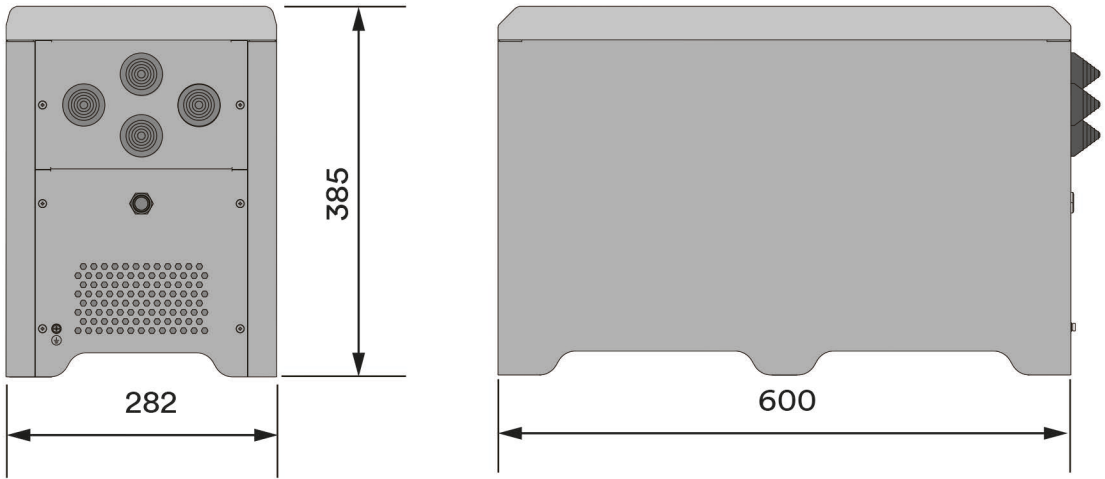
5 SCOPE OF DELIVERY



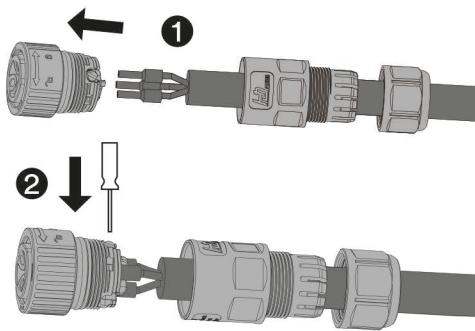
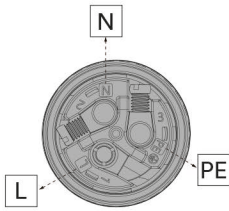
6 MOUNTING ENVIRONMENT



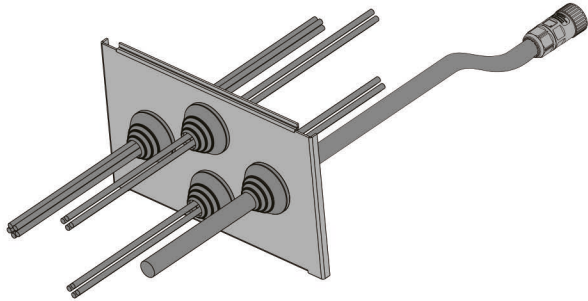
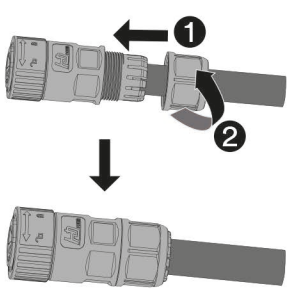
Unit:mm



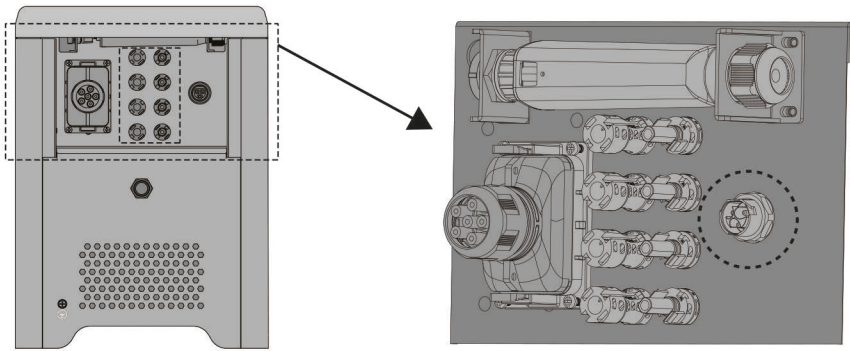
8



9

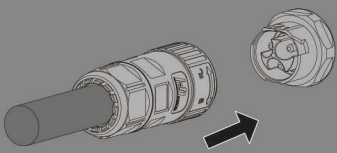


10



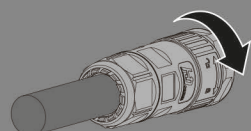
11

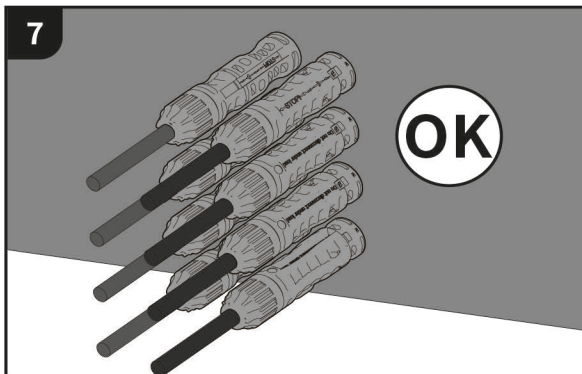
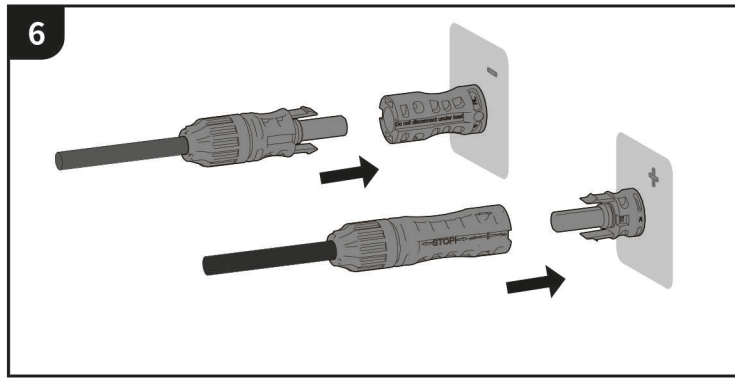
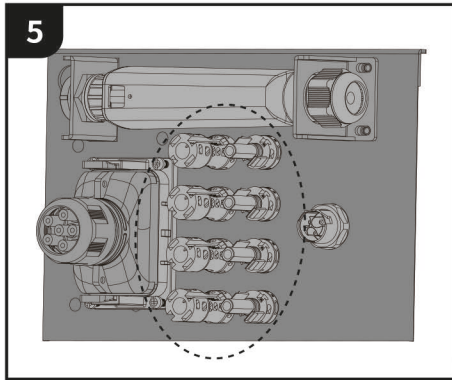
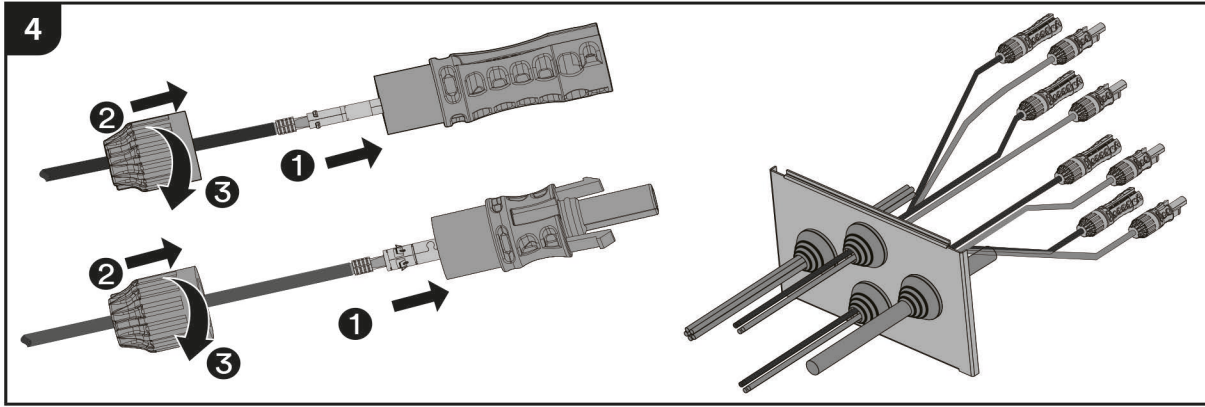
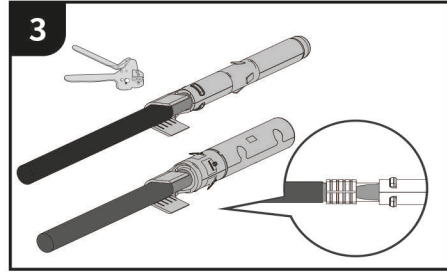
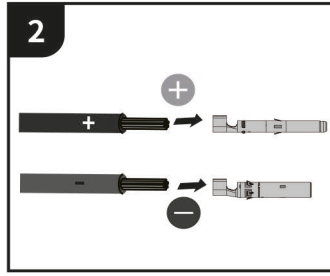
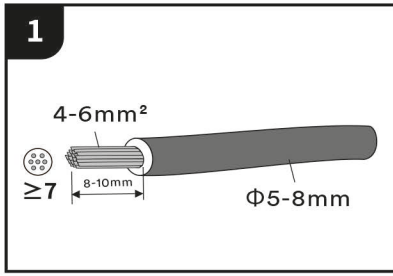
click



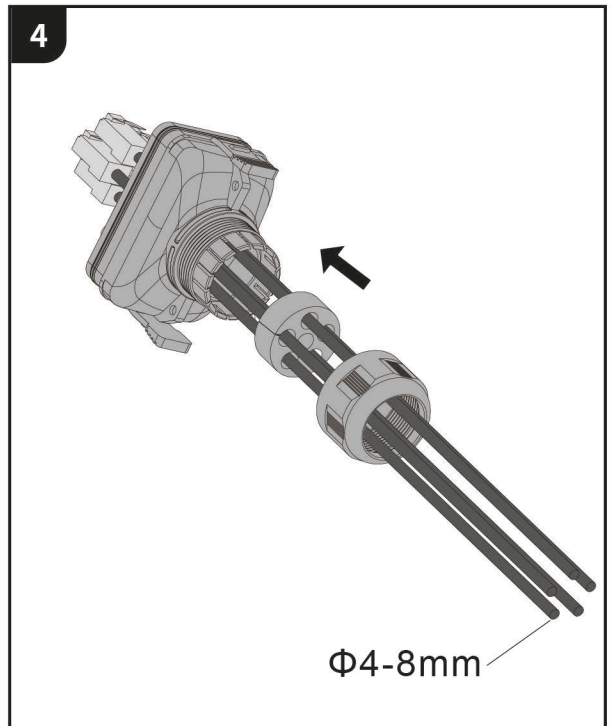
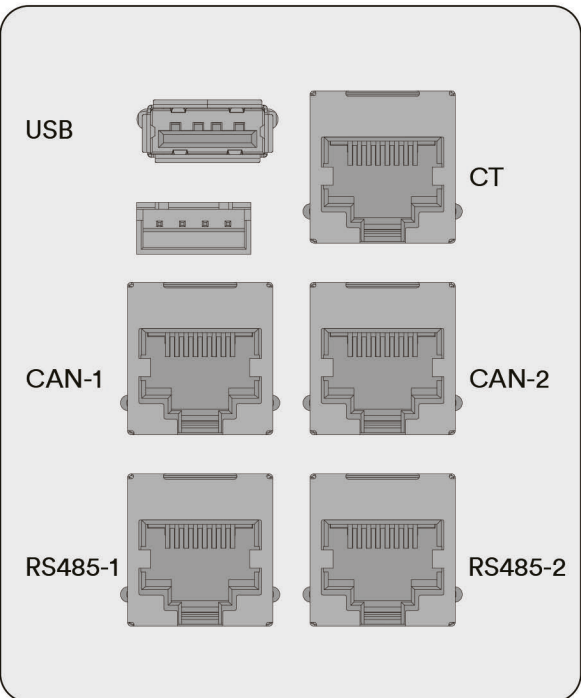
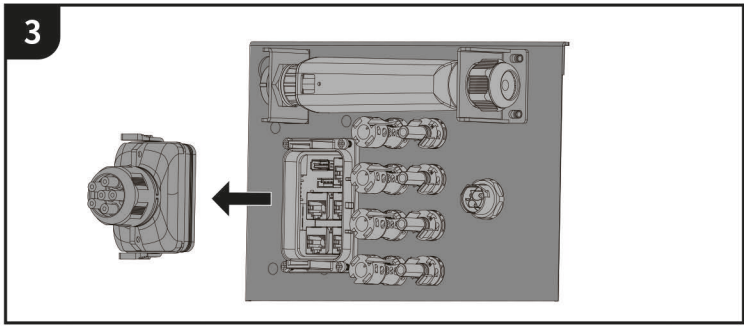
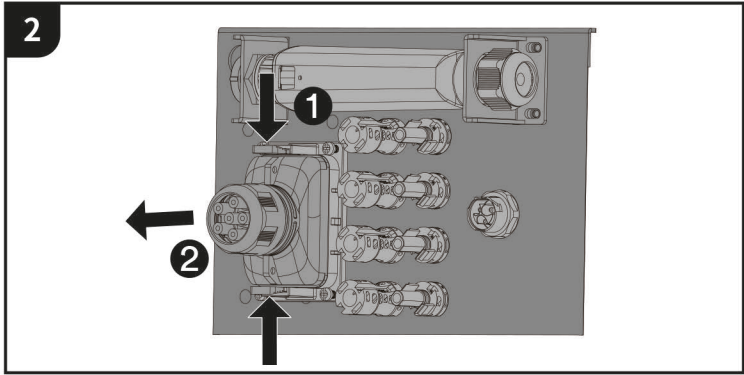
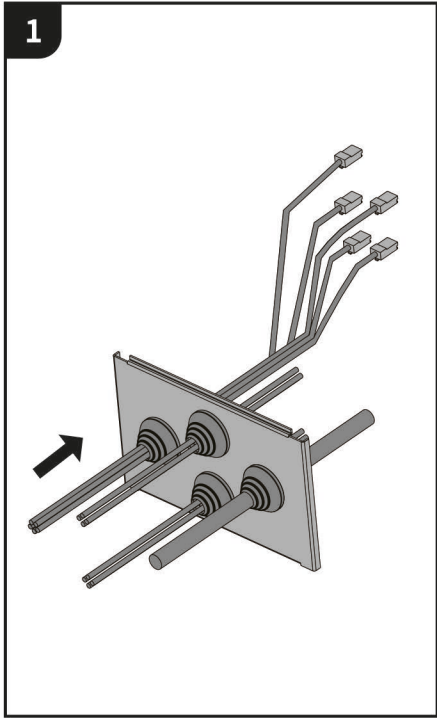
12

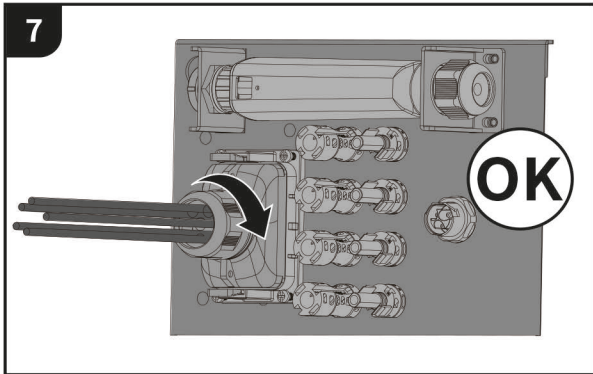
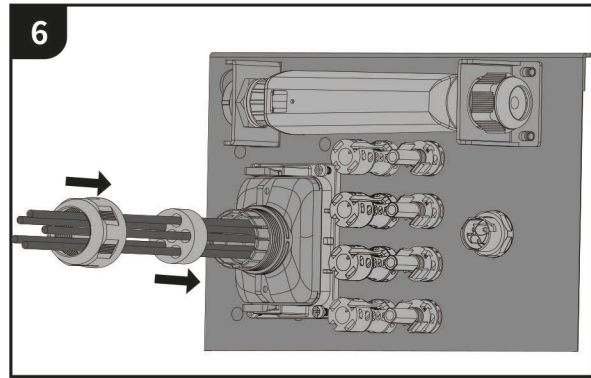
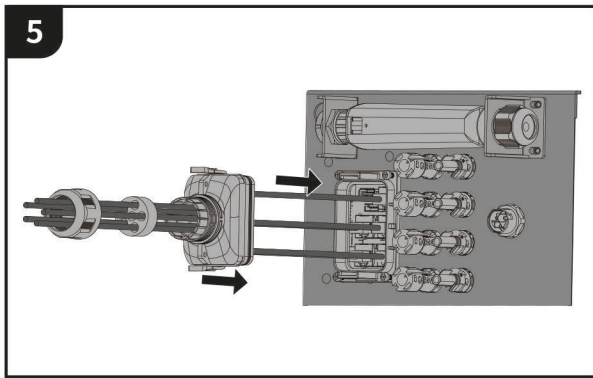
OK





11.1 Communication connection





Please contact our Service Department if you have any technical questions about our products.

The following information is needed to provide necessary assistance:

- All-in-one hybrid energy storage system model
- All-in-one hybrid energy storage system serial number
- Photovoltaic module model
- Photovoltaic modules number and strings number connected to each MPPT
- Fault code
- Installation location

EMEA

Service email: service.EMEA@solplanet.net

APAC

Service email: service.APAC@solplanet.net

LATAM

Service email: service.LATAM@solplanet.net

Aiswei Greater China

Service email: service.china@aiswei-tech.com

Hotline: +86 400 801 9996

Taiwan

Service email: service.taiwan@aiswei-tech.com

Hotline: +886 809089212

<https://solplanet.net/contact-us>

Scan QR code:



Android

Scan QR code:



iOS

