

SOFT TOP TENT

L140 L160



CAUTIONS

1. Generally, our awning does not have serious requirement on the vehicles' model including but not limited to SUV, Pickup truck, and camping trailer. But for models with a trunk door that opens upwards, please make sure your rack is high enough to ensure that the awning does not conflict with the trunk lid when awning is opened.

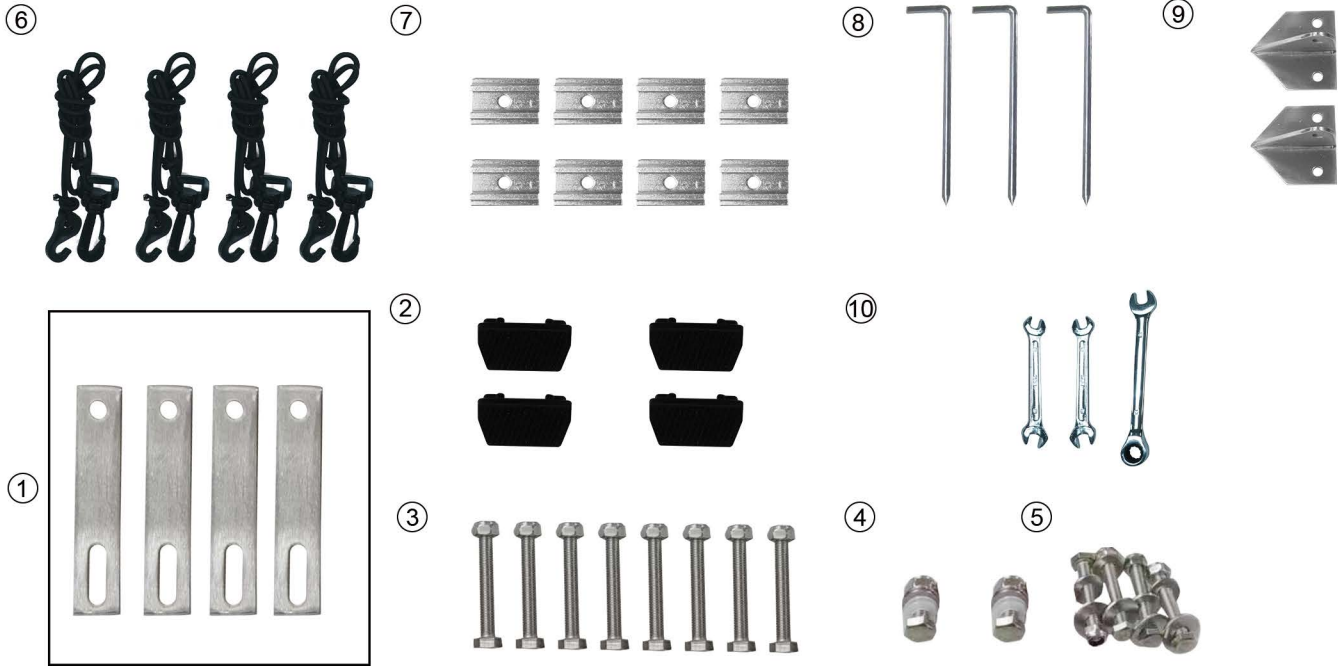
2. Please ensure that the side awning is installed correctly. Before assembling the awning, make sure the accessories are clean and complete, and avoid be with mud, sand, oil and other dirt.

3. Please tighten the wind ropes and ground nails when the wind blows. And keep the awning close when the wind is strong to avoid physical damage.

4. Please keep the awning in a cool, dry place. If it is damp when put away, please dry it promptly when you get home, to avoid mildew.

What are included in your package

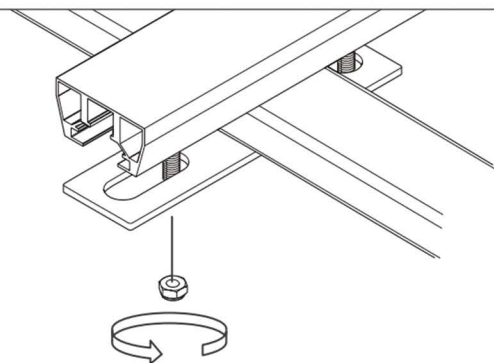
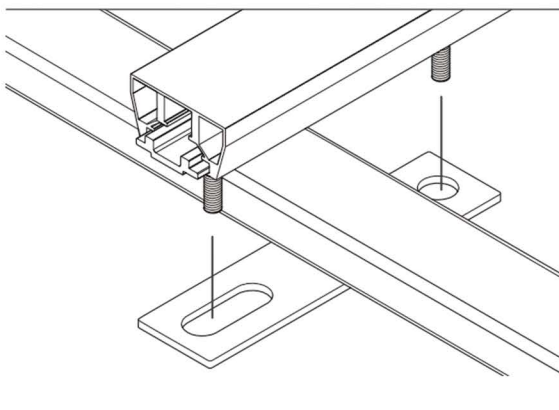
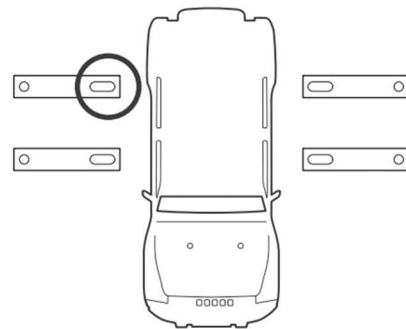
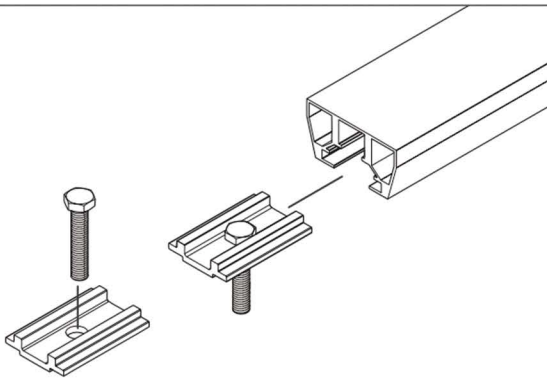
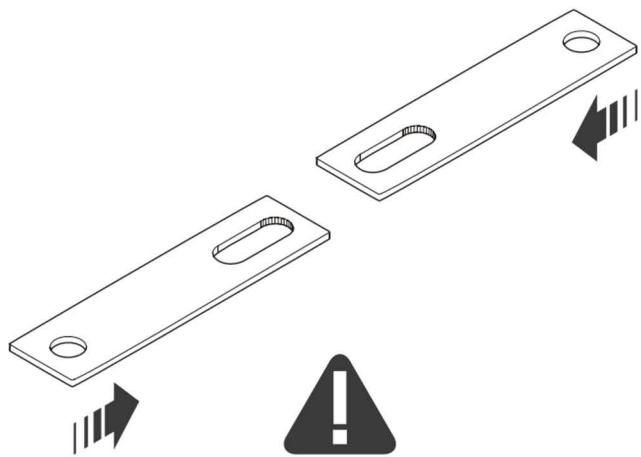
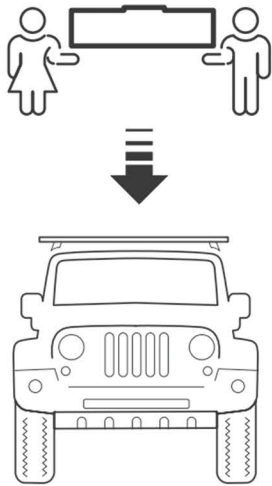
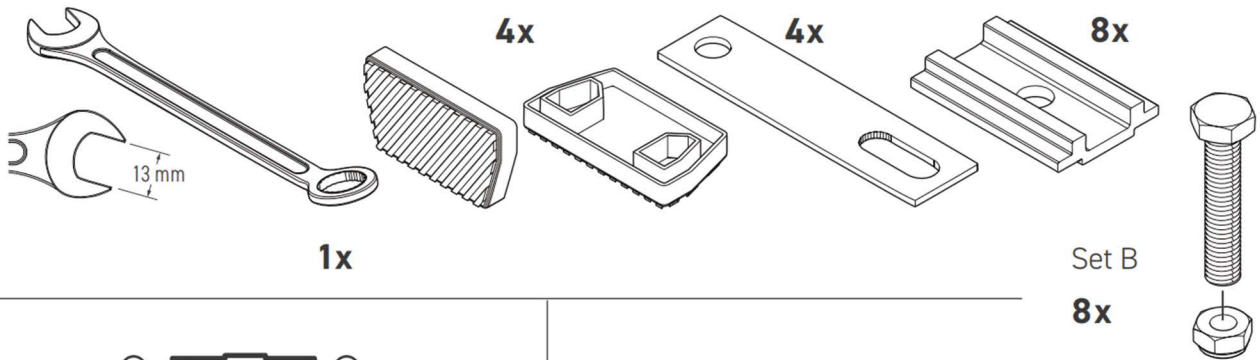
2.Mounting brackets * 3 & Mounting kits bag:



Accessories	Material	Dimension
① Steel mount plate * 4		
② Plastic end caps * 4		
③ Screw * 14		
④ Nut * 14		
⑤ Gasket * 14		Gasket*12 Rubber gasket*2
⑥ Wind Rope * 4	Polyester	
⑦ Aluminium slide plate * 8		
⑧ Ground nails * 3	Carbon steel	
⑨ Ladder mounting bracket * 2		
⑩ Wrench * 3		

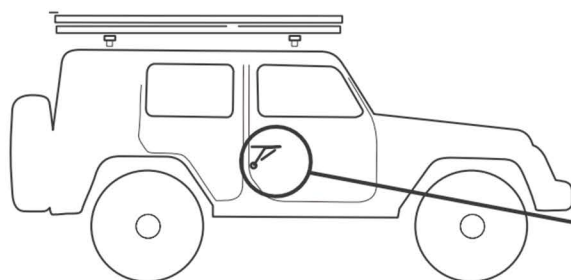
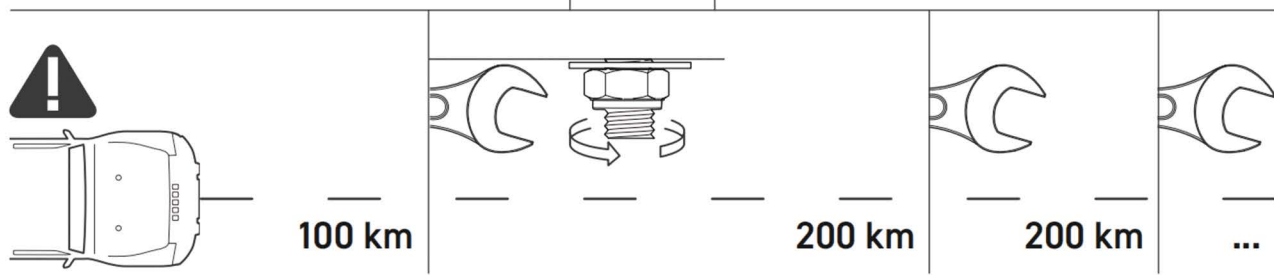
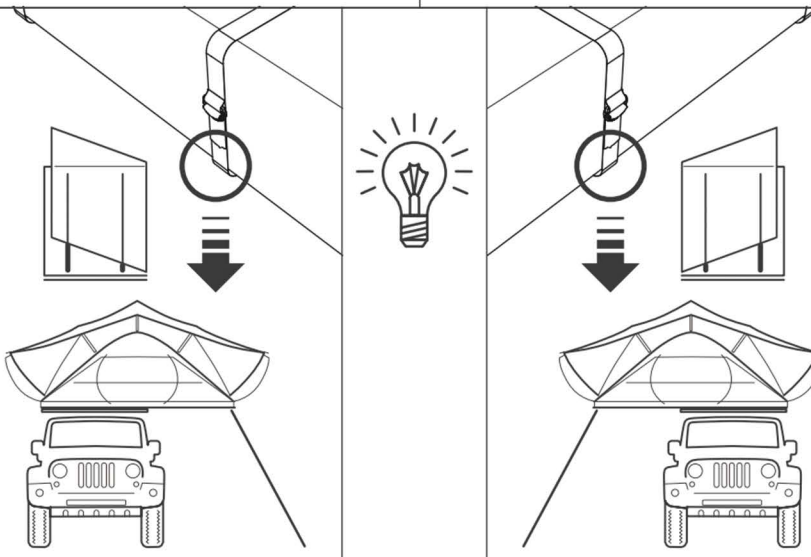
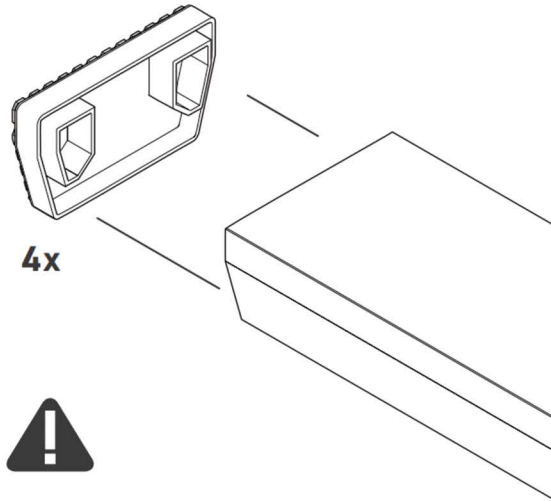
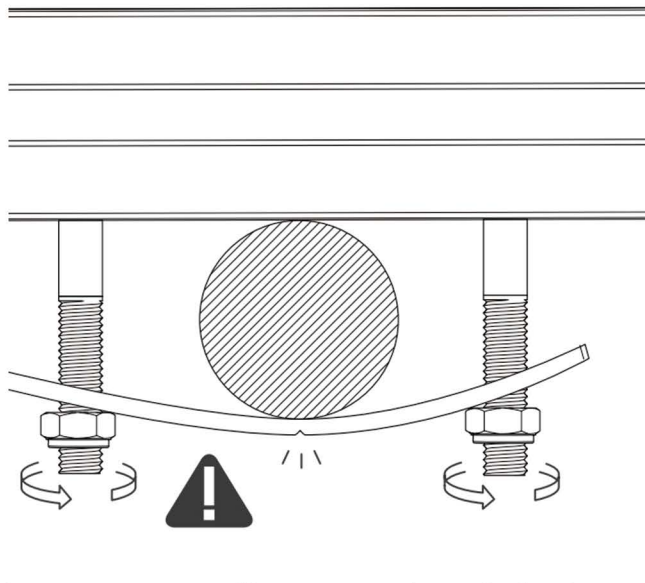
Assembly

tent on roof rack



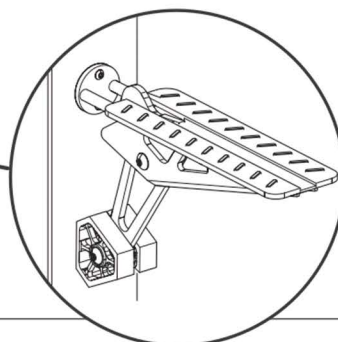
Roof tent assembly

on railing / roof rack



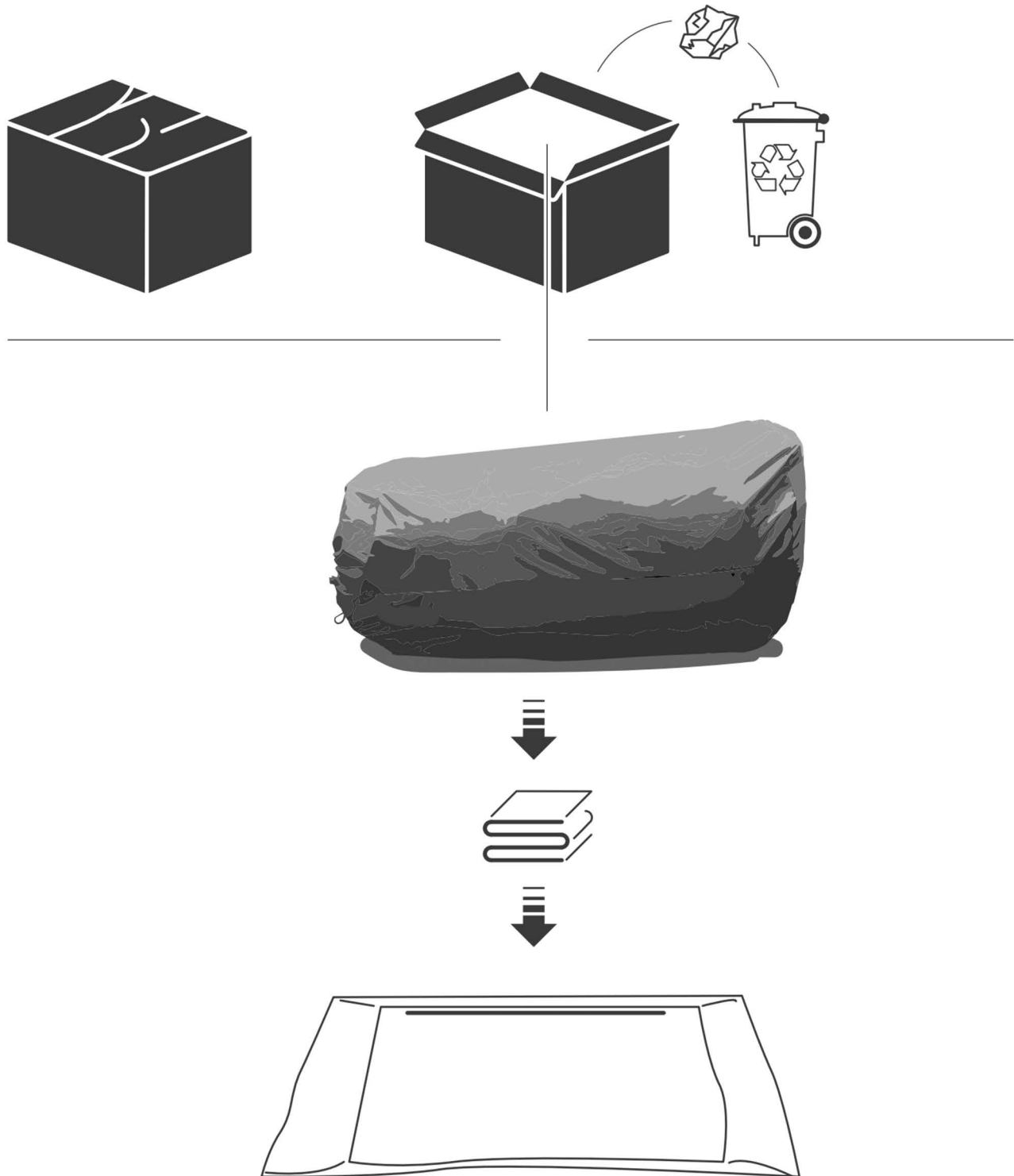
Useful accessories

Step, sold separately



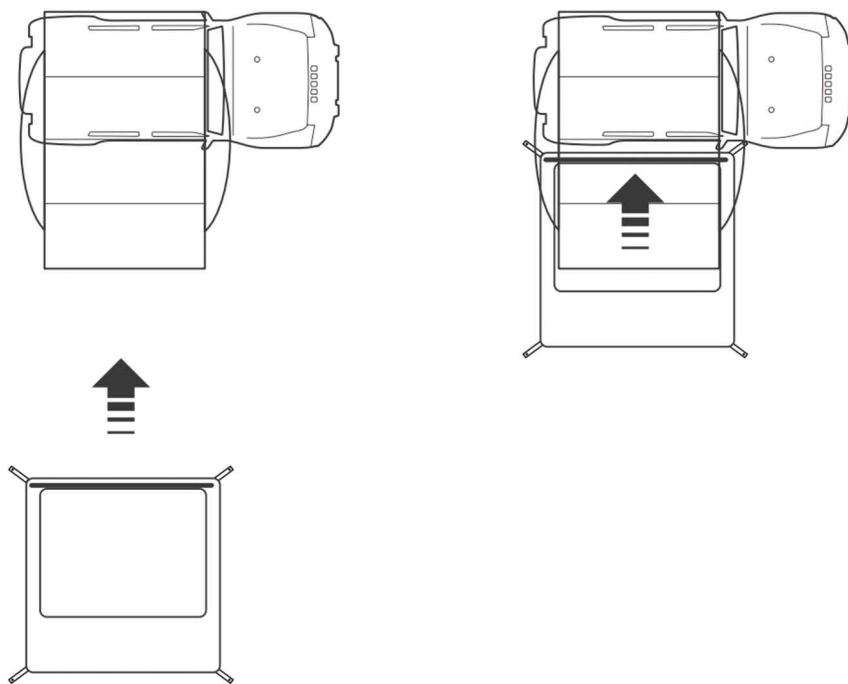
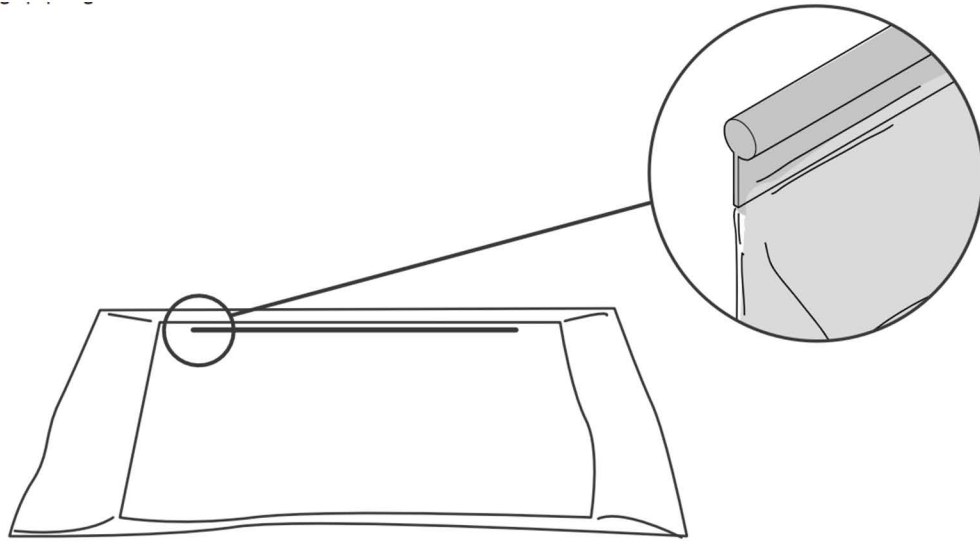
Unpacking

Unpack and remove all components



Spread out and align

align the awning, piping direction tent



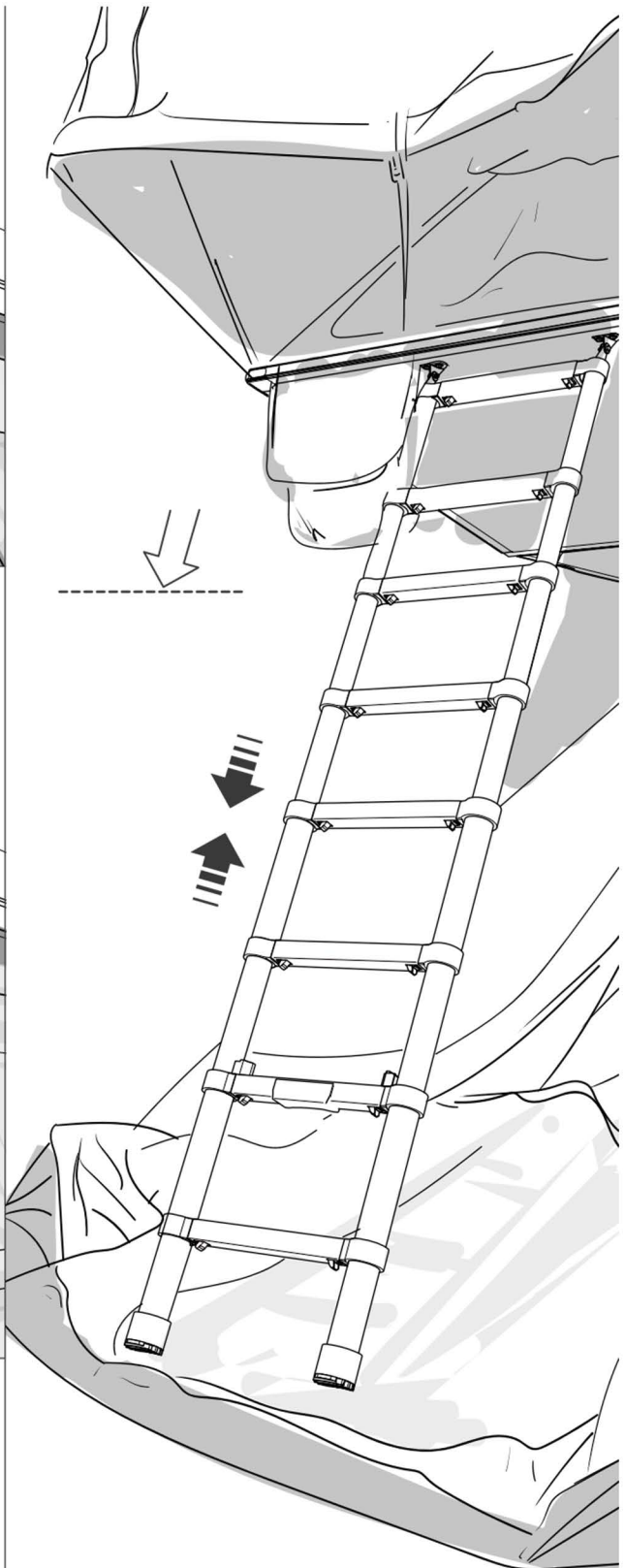
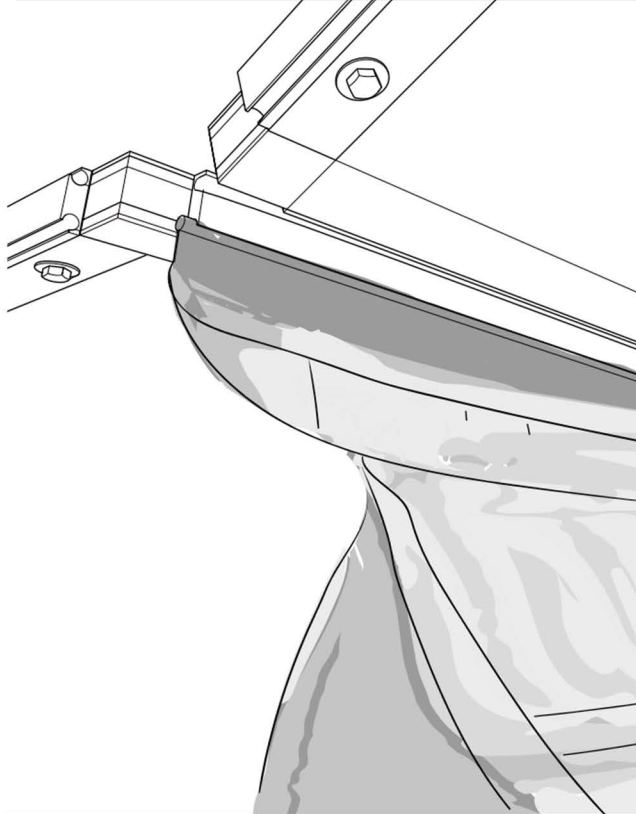
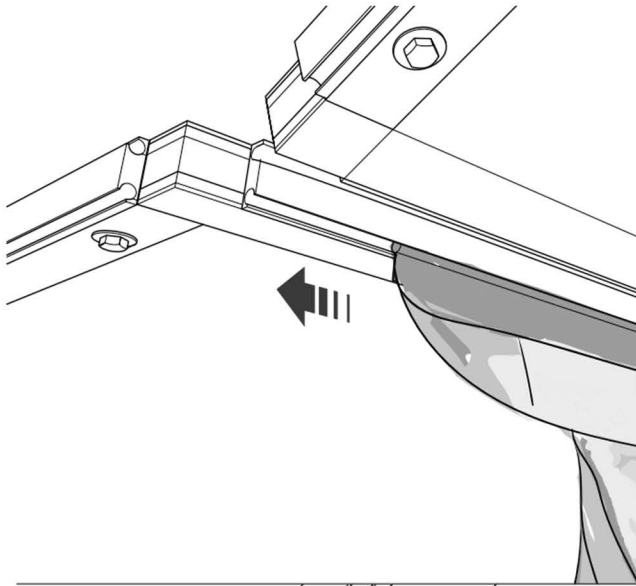
Easily fold roof tent

To better assemble the awning, use a ladder to support it



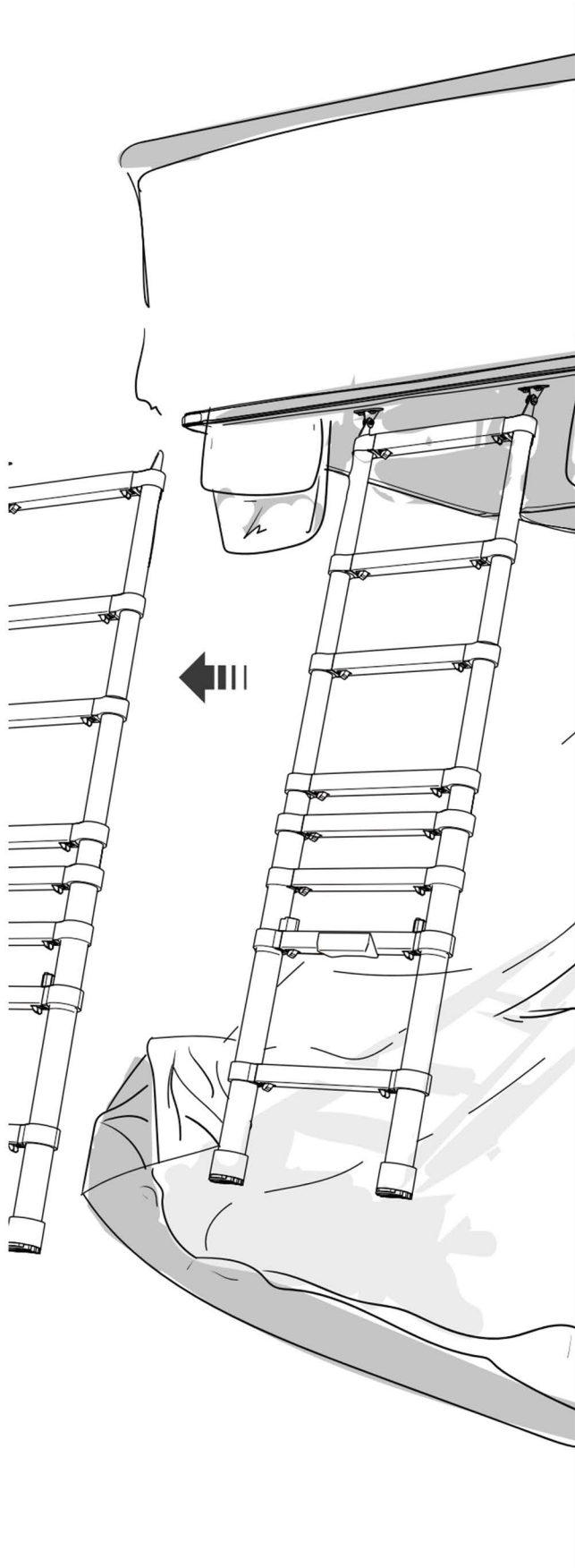
Pull in

the piping strip



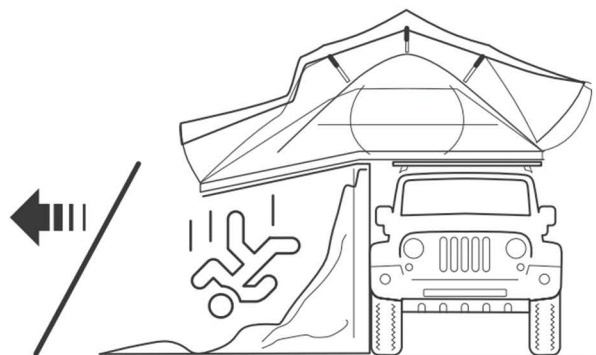
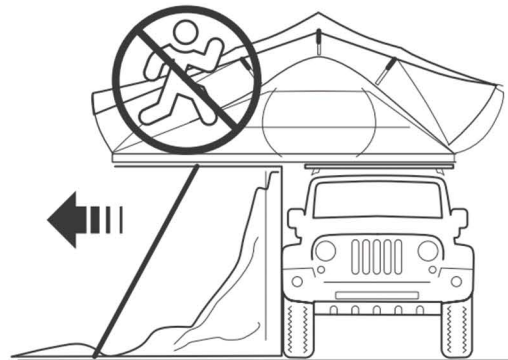
Fold back the tent

and remove ladder for more freedom of movement during assembly



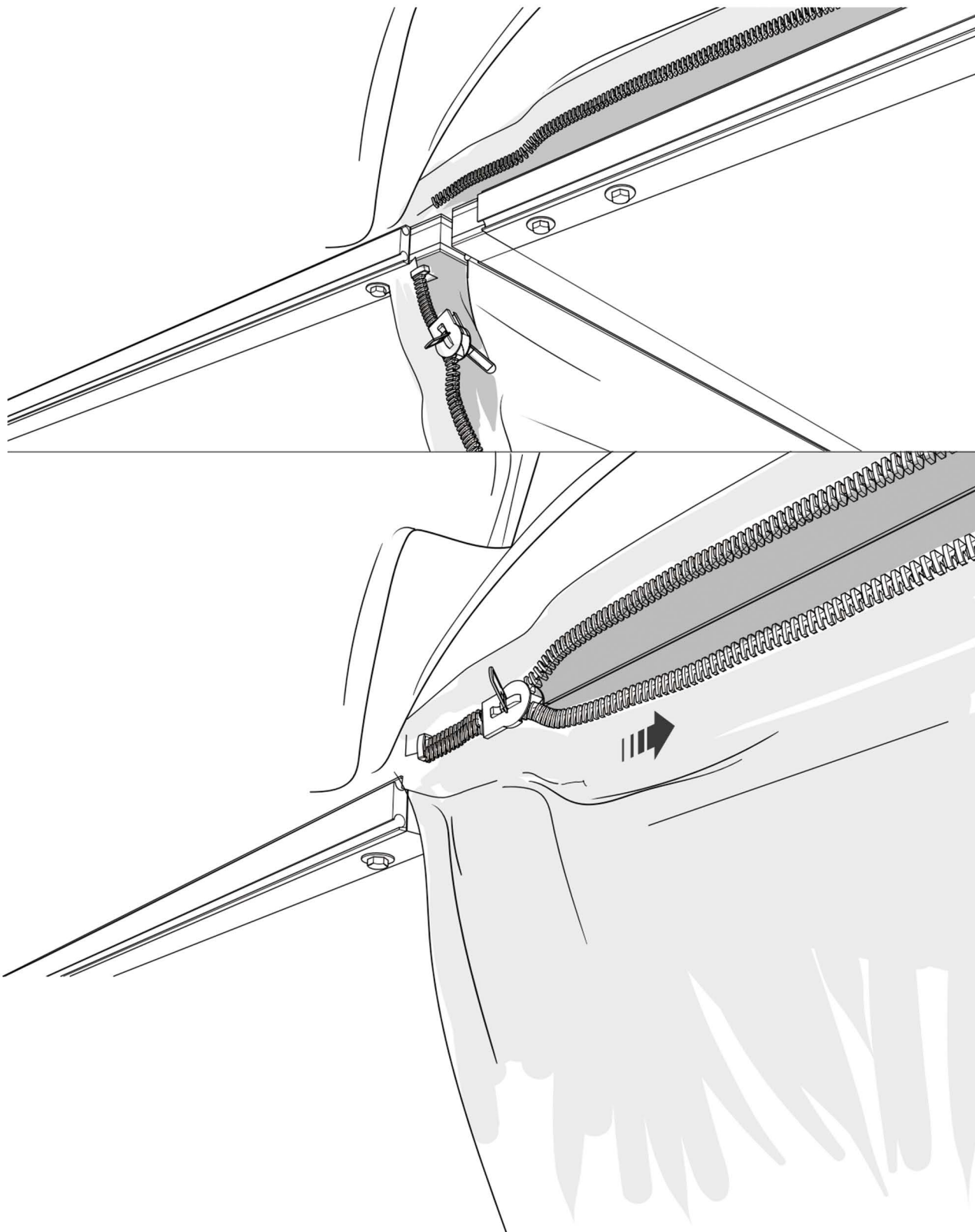
Notice:

When removing the ladder, no one should be up in the roof tent as the ladder has a supporting function.



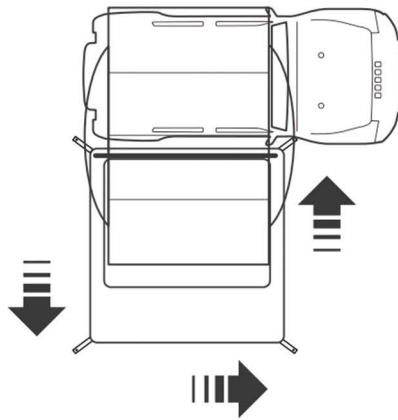
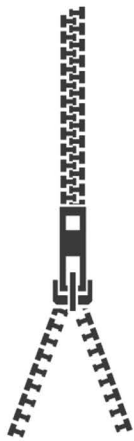
Thread in the zip

all the way around, starting from the left corner



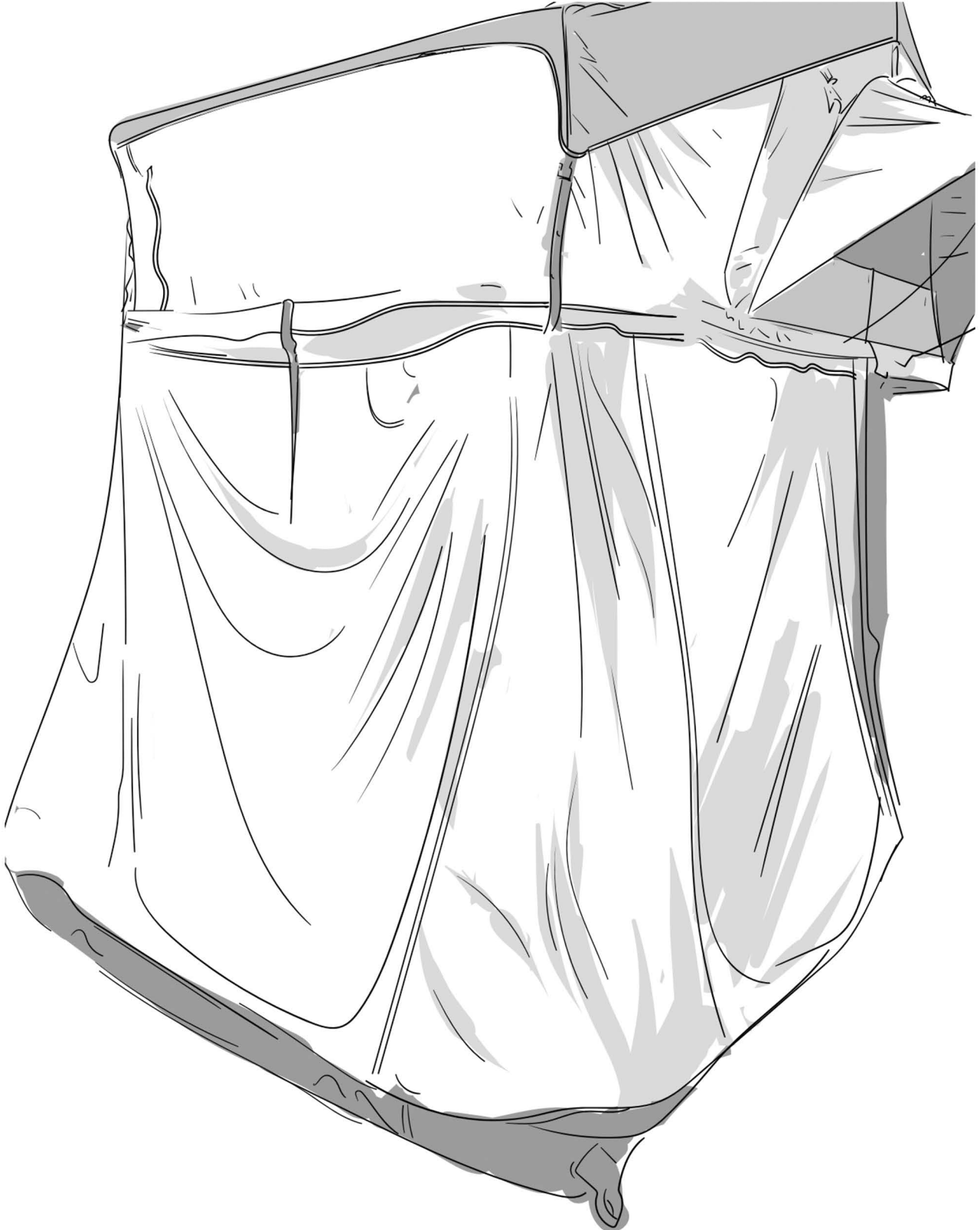
zipper

thread, close all around



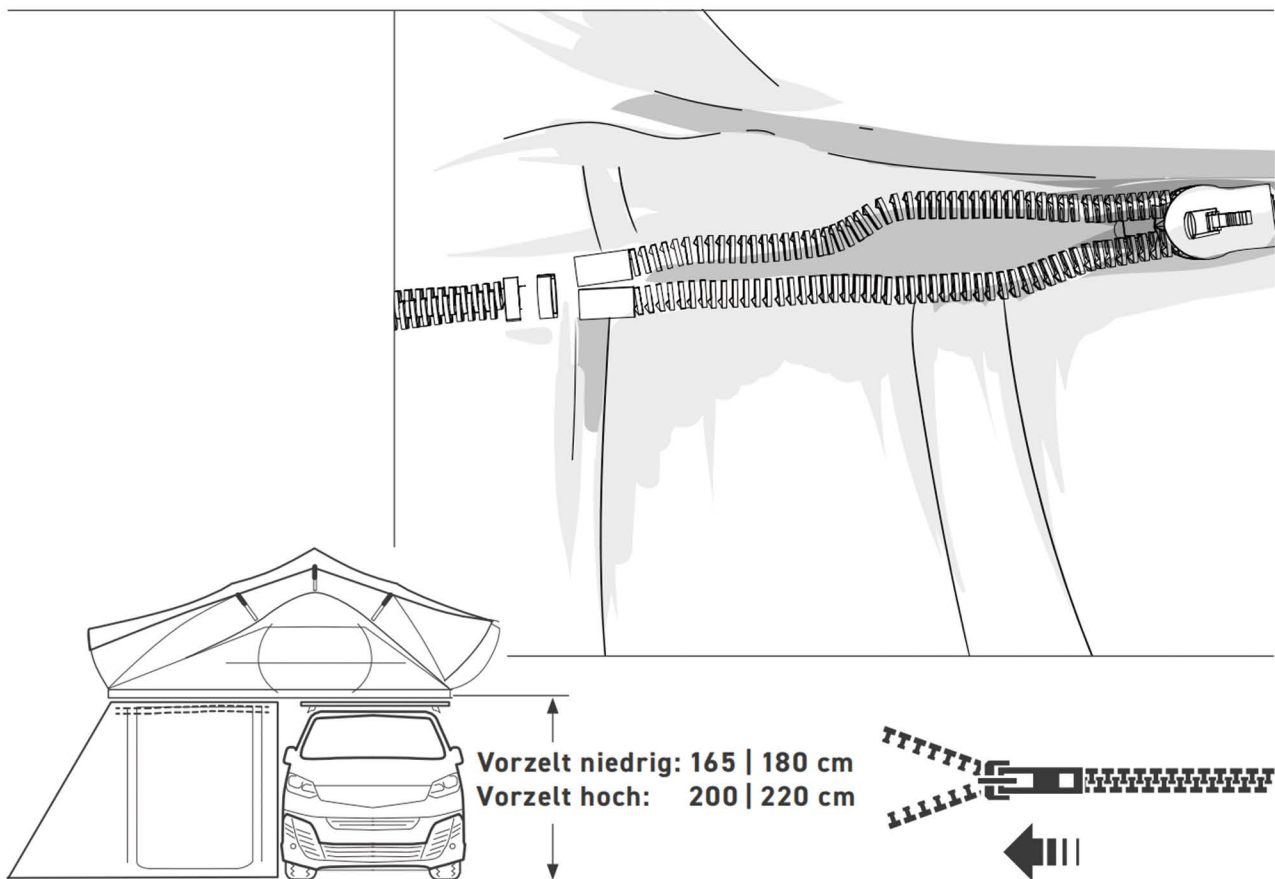
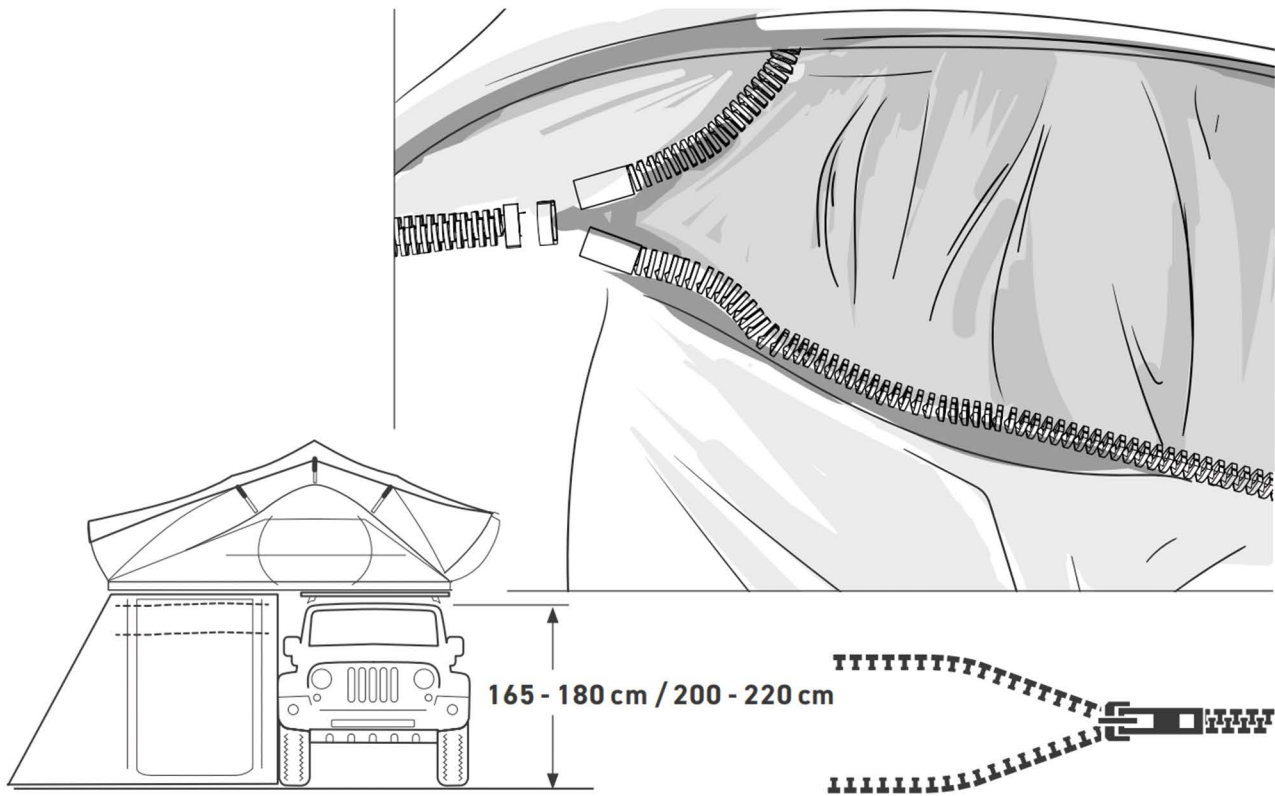
Adjust the height

of the awning



Height of the awning

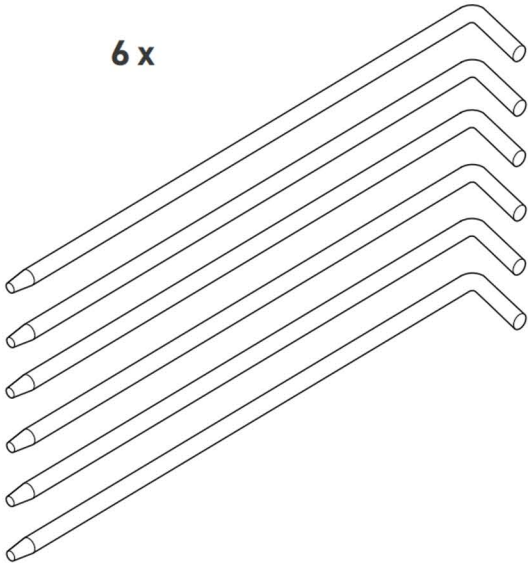
adjust to vehicle height



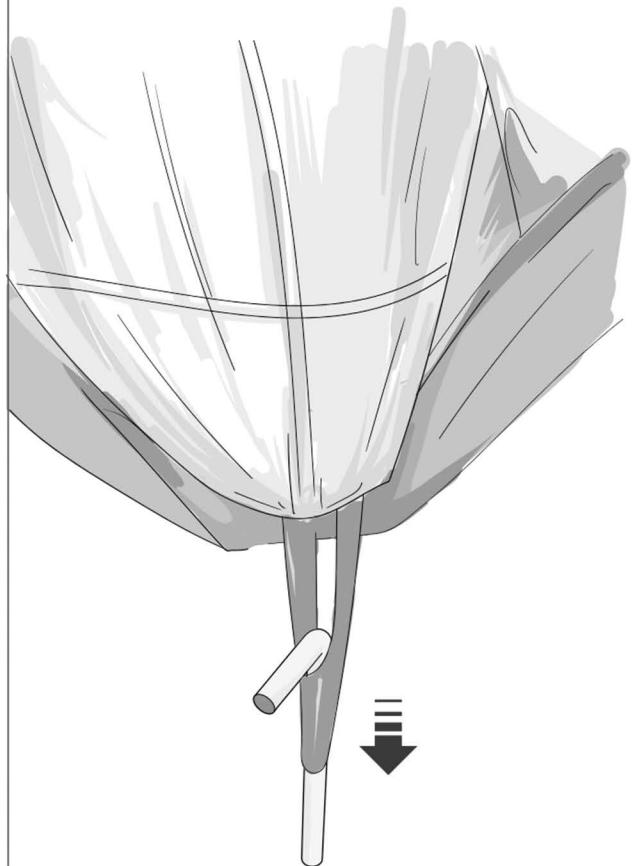
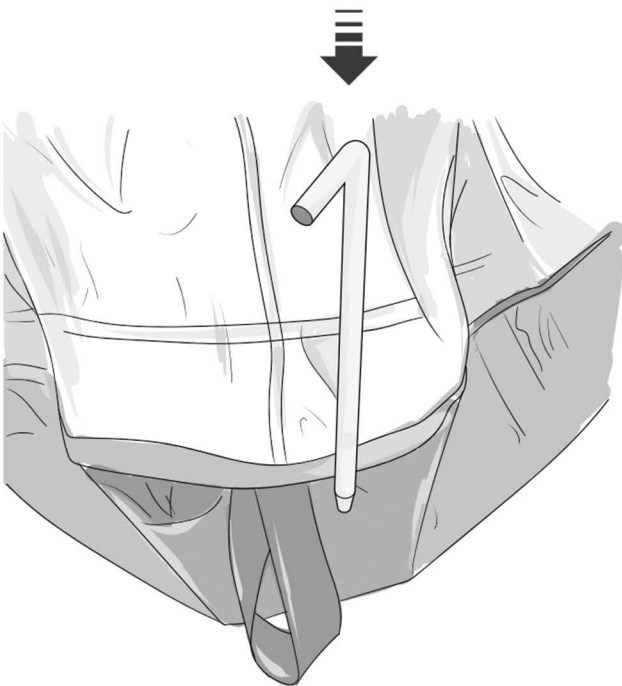
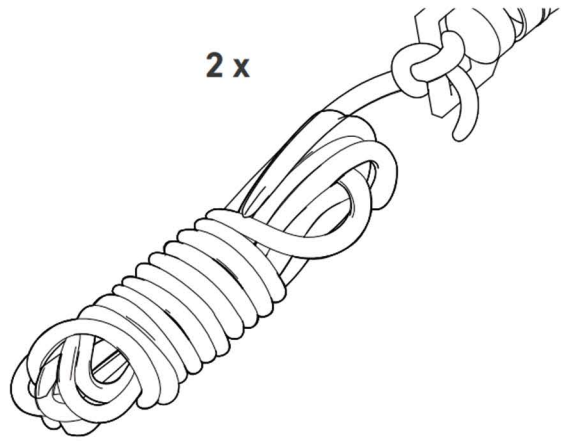
Fix the tent

with pegs

6 x



2 x



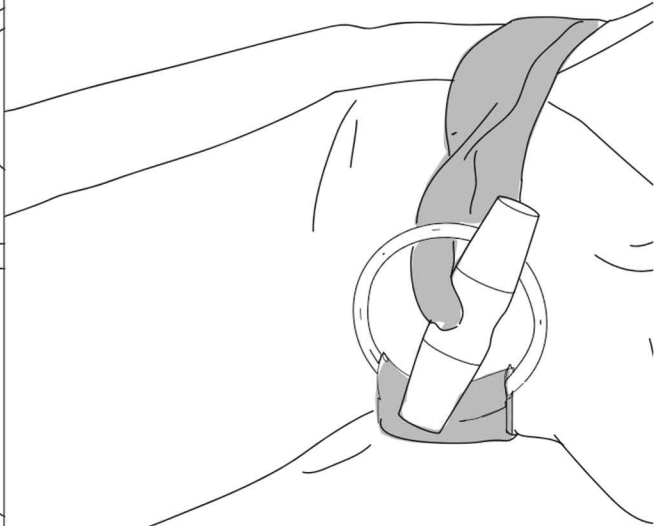
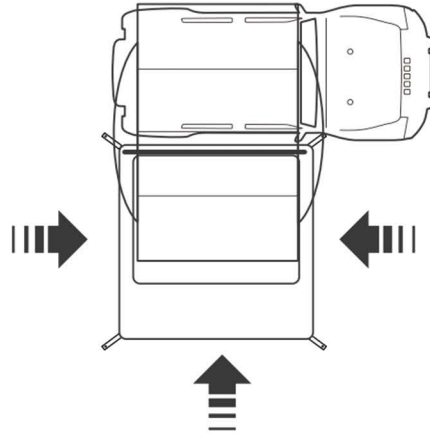
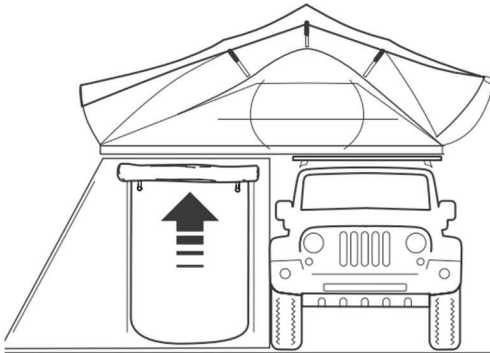
Tension the awning properly

with tent pegs



Roll up window covers

Reattach the ladder inside



Remove soil



Warranty

For those damage caused by shipment, we are responsible to send the missing and faulty parts when customers claim. But please check at the first time after receiving the awning, and feedback at the first time after finding any damage.

We are obliged to send the replacement of faulty parts to customers for any product quality problems found during use. Please report the problem as soon as possible after discovering it and keep the awning properly to avoid unnecessary secondary damage.

Please note that when customer makes a claim, you are obligated to provide photos of the outer packing and photos of the damaged items as evidence.

We reserve the right to refuse compensation for losses caused by the reasons mentioned in the WARNING part.