

WICKED TUNA



IMPORTANT



Be Sure
to Read this
Manual
Before Use

UNIS[®]

UNIS TECHNOLOGY

Operation Manual

WE ARE HERE TO ASSIST For parts and service



Have Questions? Contact us!

UNIS SERVICE CENTER
Tel: 972-241-4263
Email: service@unispartsandservice.com
www.unispartsandservice.com

When contacting Service, you will need the following information and the name of your authorized distributor.

INDOOR MACHINE	
NAME: Wicked Tuna 2P GMP	MAX POWER: 650W
MODEL: C-725	MIN POWER: 580W
S/N:	FREQUENCY: 50 / 60Hz
VOLTAGE: AC220V ~	DATE:
Guangdong UNIS Technology Co.,Ltd.	

INDOOR MACHINE	
NAME: Wicked Tuna 2P GMP	MAX POWER: 650W
MODEL: C-725	MIN POWER: 580W
S/N:	FREQUENCY: 50 / 60Hz
VOLTAGE: AC110V ~	DATE:
Guangdong UNIS Technology Co.,Ltd.	

CONTENT

IMPORTANT SAFETY INSTRUCTIONS.....	3
1. SPECIFICATIONS.....	5
2. CONTENTS OF THE ACCESSORY KIT.....	6
3. PART NAME.....	7
4. SET UP & INSTALLATION.....	8
5. HOW TO PLAY.....	18
6. GAME OPTION.....	21
7. TROUBLESHOOTING.....	25
8.MAINTENANCE & INSPECTION.....	28
9. OVERALL CONSTRUCTION.....	38
10. WIRING DIAGRAM.....	62

Thank you for purchasing **Wicked Tuna 2P GMP**. We hope you enjoy the product.

This manual contains valuable information about how to operate and maintain your game machine properly and safely. It is intended for the owner and/or personnel in charge of product operation. Carefully read and understand the instructions.

If you need any help during installation and setup please utilize this manual and troubleshooting guide. If the product fails to function properly, *non-technical personnel should under no circumstance attempt to service the machine*. Contact your distributor or manufacturer for help.

Before use, please read **IMPORTANT SAFETY INSTRUCTIONS**.

IMPORTANT SAFETY INSTRUCTIONS

To ensure the safe usage of this product, carefully read and understand these instructions before operating your game.

Save these instructions for future reference.

Use this product only as described in this manual. Other uses not recommended may cause fire, electric shock or personal injury. Unplug the game from the outlet when not in use, when moving from one location to another, and before cleaning/servicing.

Explanations which require special attention are indicated by signs of warning. Depending on the potential hazardous degree, the terms: **NOTE**, **NOTICE**, and **WARNING** are used.

NOTE: A NOTE indicates useful hints or information about product usage.

NOTICE: A NOTICE indicates potential damage to product and how to avoid the problem.

WARNING: A WARNING indicates a potential for product damage or serious personal injury.

It is important to understand the meaning of the following HAZARD SIGNS before continuing:

High Voltage and Shock Hazard:

High voltage can cause electric shock.
Turn off/unplug power before servicing.



High Temperature Hazard:

This part may cause scalding.
Do not touch. Surface may be hot.



No Touching Hazard:

This part may be hot or can cause electric shock.
Do not touch.



Use the following safety guidelines to help ensure your own personal safety and to help protect your equipment and surrounding environment from potential damage.

⚠️ This product is an indoor game machine. Do not install outdoors.

Avoid installing in the following places to prevent fire, electric shock, injury and/or machine malfunctioning:

- Places subject to rain/moisture, or places subject to high humidity.
- Places subject to direct sunlight, or places subject to extremely hot or cold temperatures to ensure that it is used within the specified operating range.
- Places where inflammable gas may be present or in the vicinity of highly inflammable/volatile chemicals or items that can easily catch fire.
- On unstable or sloped surfaces. The machine may topple or cause unforeseen accidents.
- Vicinity of fire exits, fire extinguishers etc that may block/prevent safety measures.

IMPORTANT NOTE:

ALL REPAIRS MUST BE DONE TO ORIGINAL MANUFACTURER SPECIFICATIONS. FAILURE TO DO SO VOID ALL WARRANTIES AND OPERATOR ASSUMES ALL RISKS.

Note: The contents of this manual may be updated without notice.

1. SPECIFICATIONS

Rated power supply: AC110V 50/60Hz; AC220V 50/60Hz;

Min. Power consumption: 580W

Max. Power consumption: 650W

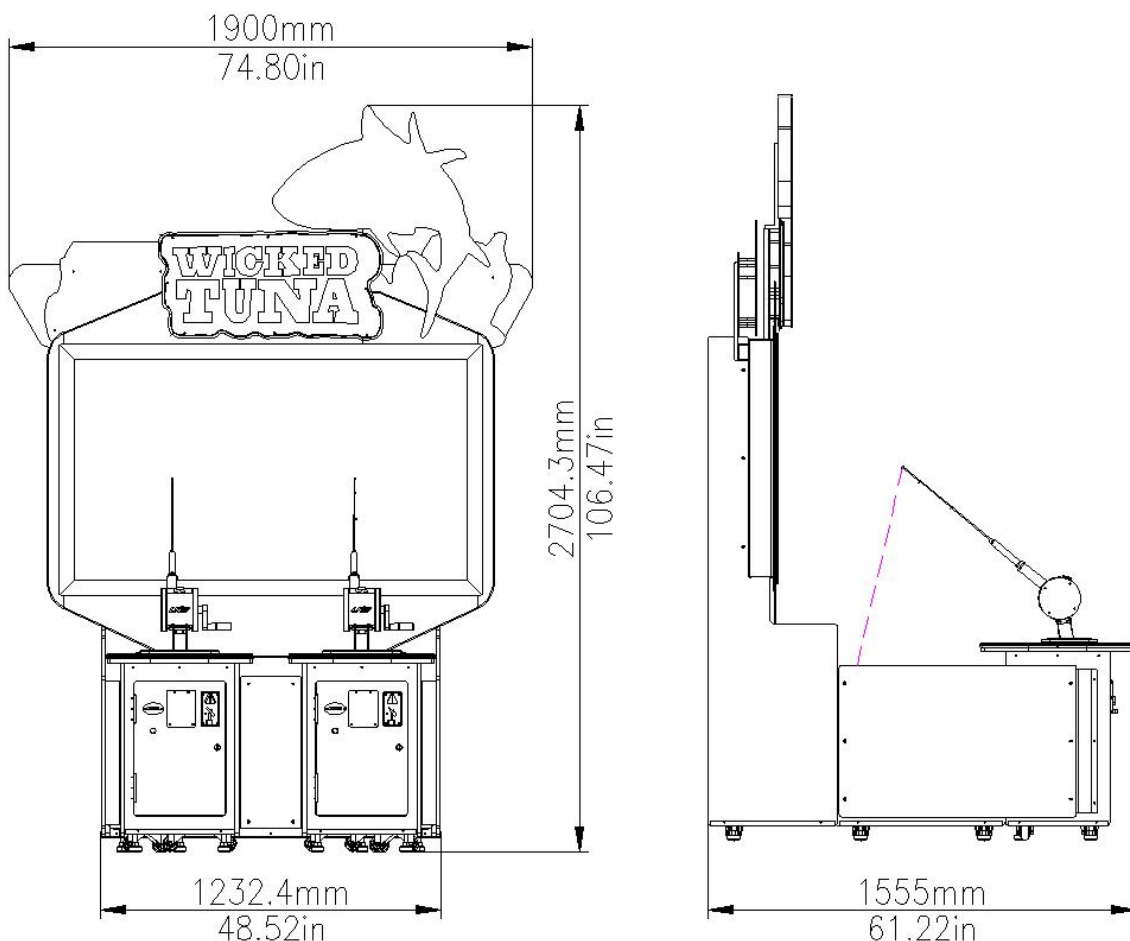
Dimension: H106.47 ×W48.52 ×D61.22 in

H2704.3× W1232.4 ×D1555mm

Model No: C-725

Part No: W122

! **NOTICE:** After turning off the game, please wait at least 1 minute before restarting again.










Note: Game specifications are subject to change without notice.

2. CONTENTS OF THE ACCESSORY KIT

Open the package and make sure all the items are included:

Following accessories

No.	Part No.	Code No.	Name/SPEC	Picture	Qty
1	W122-1002-00	2.33.01.010020	Power cord 3×16AWG 1.8M		1
2	W122-1003-00	2.19.01.000030B	Fuse(T10A) Φ5×20mm T10A 250VAC (PSE UL)		1
3	W122-1004-00	2.53.00171002	171A key		2
4	W122-1005-00	2.53.00172002	171B key		2
5	W122-1006-00	4.14.40000511	Manual 2P GMP		1
6	W122-0005-00	2.51.08.070009	Wiring box 150cm, 80cm		2
7	W122-0012-00	206.4.2002.026	Rod 0.6m		2

NOTE: Part models are subject to change without notice.

3. PART NAME

Key Components



4. SET UP & INSTALLATION

⚠ NOTICE

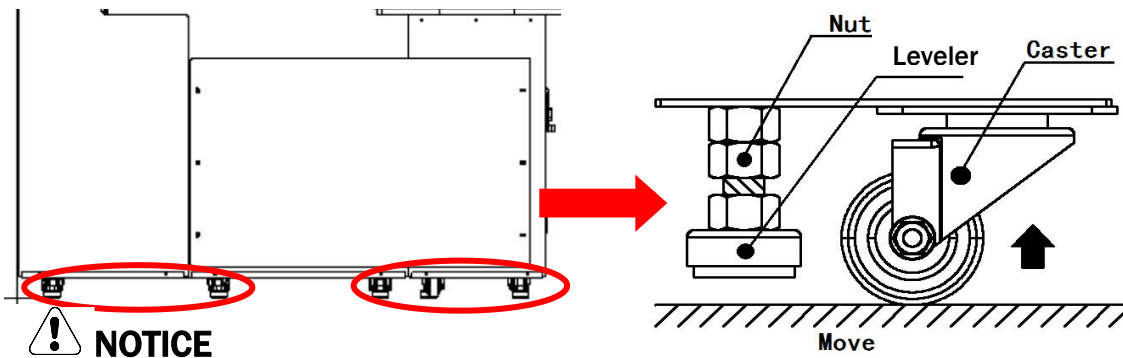
We do not recommend using power tools as they may cause damage.

⚠ **This product is an indoor game machine. Do not install outdoors.**

- Refer to IMPORTANT SAFETY INSTRUCTIONS (Pg. 3) for places to avoid.
- Place the unit on a dry level surface.
- Ventilation openings in the back of the unit must not be obstructed by objects or by wall.

4.1 Transporting the Game

If you need to move the game, adjust the levelers back to an “up” position.



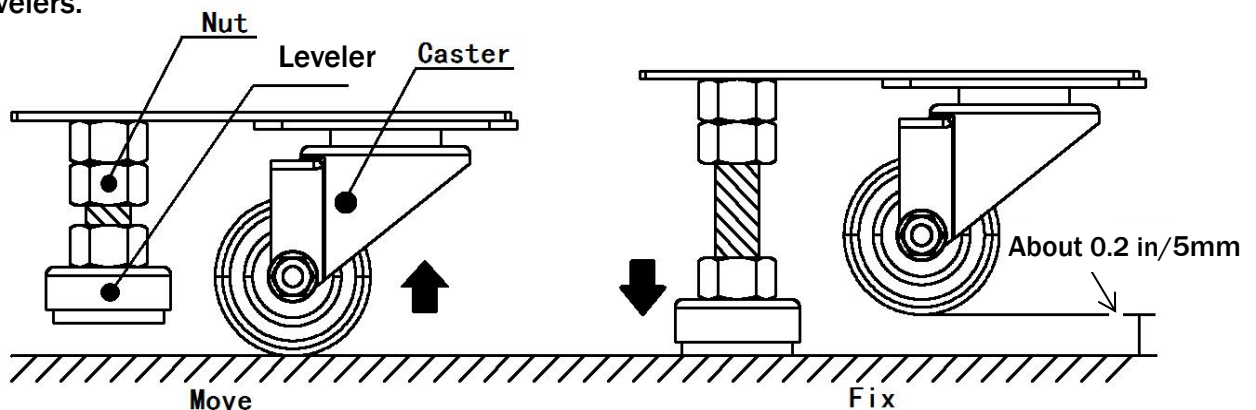
⚠ NOTICE

- Be careful not to damage the machine during transport.
- Always unplug the game before moving.
- Keep the machine in upright position during transport.
- For longer distance transport, package the game properly to prevent damages.

4.2 Level Adjustment

Install this game on a flat surface. If the game is installed on an unsuitable floor, it could cause game malfunction.

To secure the game, loosen the nut, utilize wrench to adjust the leveler down until it touches the floor, lifting the casters off the ground by 0.2 in/5mm. Repeat the same for all levelers.



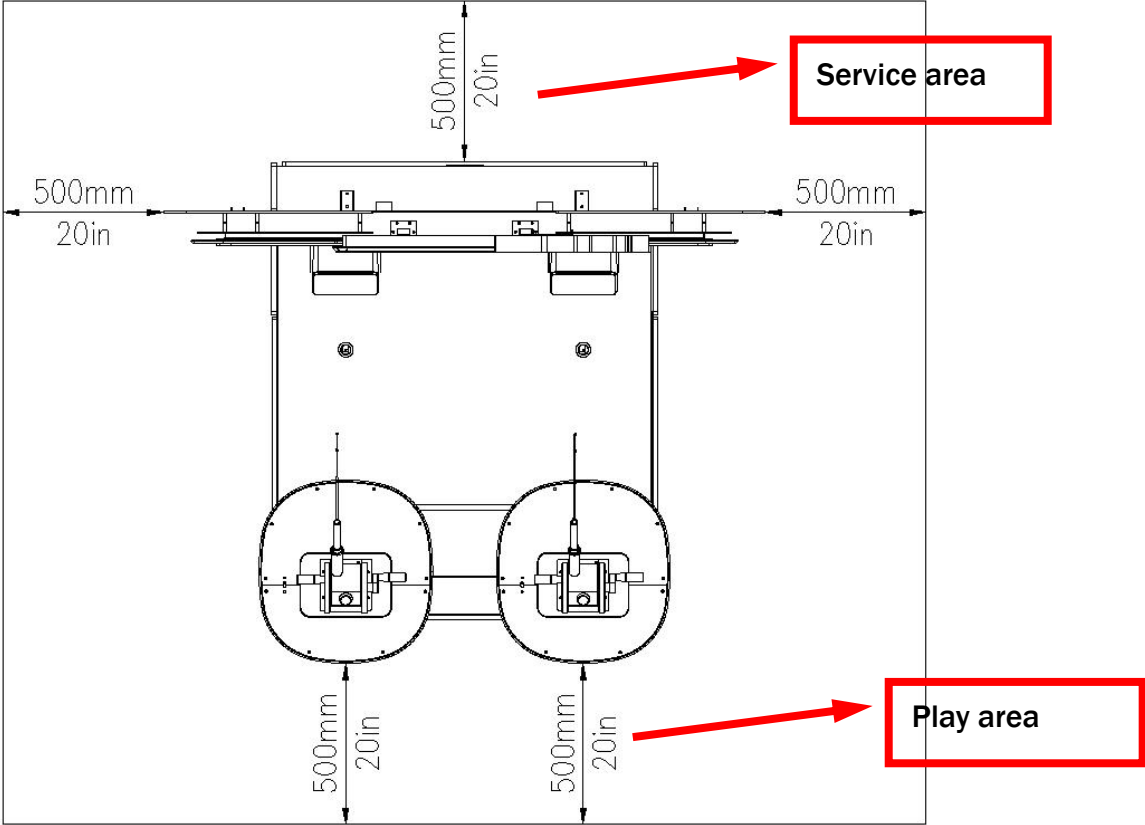
⚠ NOTICE

Make sure the machine is level.

4.3 Play Zone

This machine requires space for playing and for maintenance as shown below.
Leave space around the game upon installation:

Service area: 20 in





NOTICE

Your unit must be leveled to operate properly.

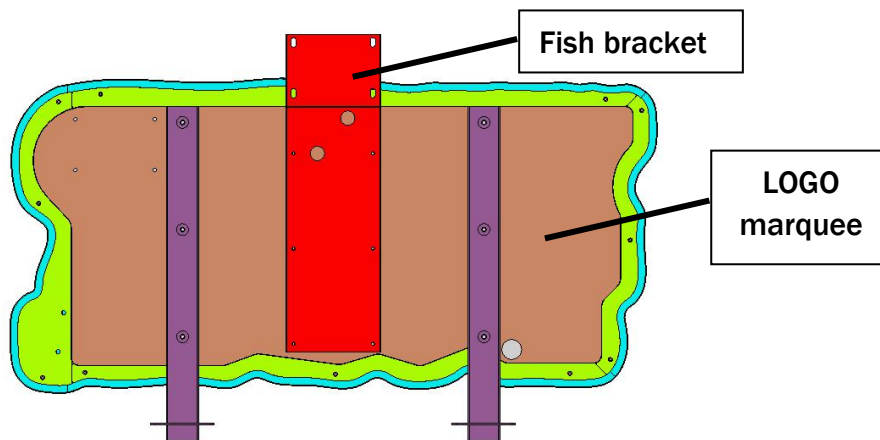
4.4 Machine Installation

Before processing with assembly assure you have the following tools.

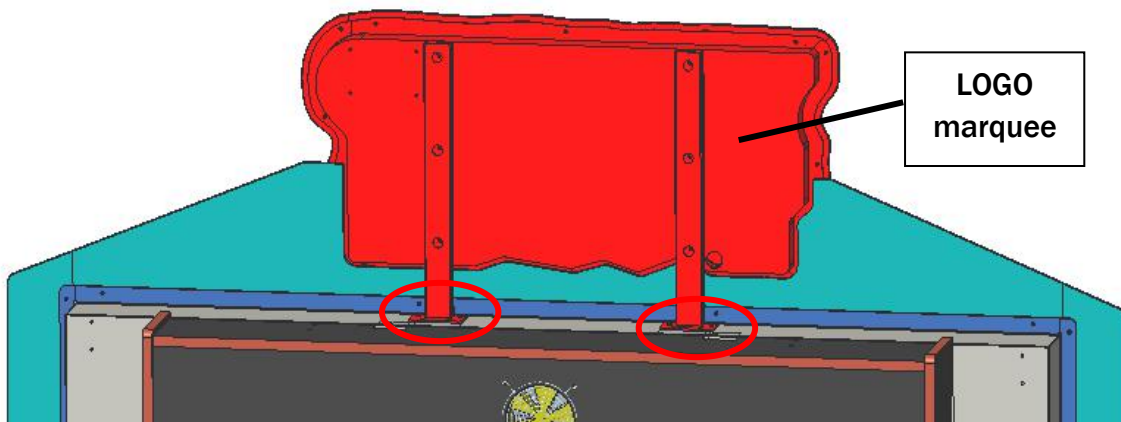
No.	Name	Picture
1	Phillips screwdriver	
2	Allen wrench	

Step 1 Utilize Phillips screwdriver to loosen the screws to remove all the assembly on the Wooden base.

Step 2 Locate LOGO marquee. Loosen screws to remove Fish bracket.

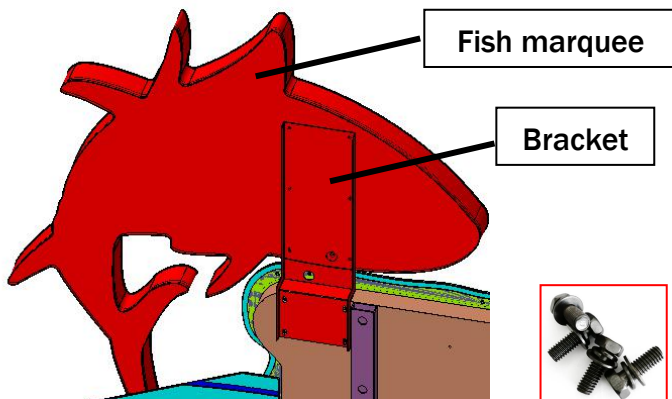


Step 3 Install LOGO marquee to the Monitor cabinet. Utilize screws to secure LOGO marquee to the Monitor cabinet. Connect the connector.



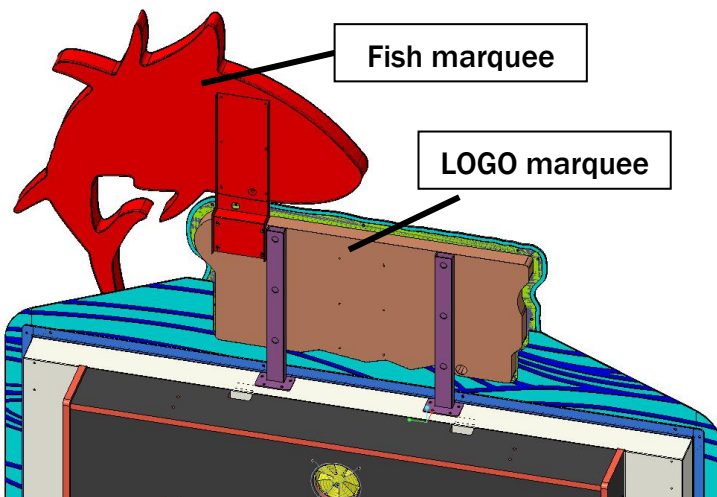
Name	Cross recessed hexagon screw set
Spec.	M5×10
Qty	8

Step 4 Install Fish marquee to the bracket.



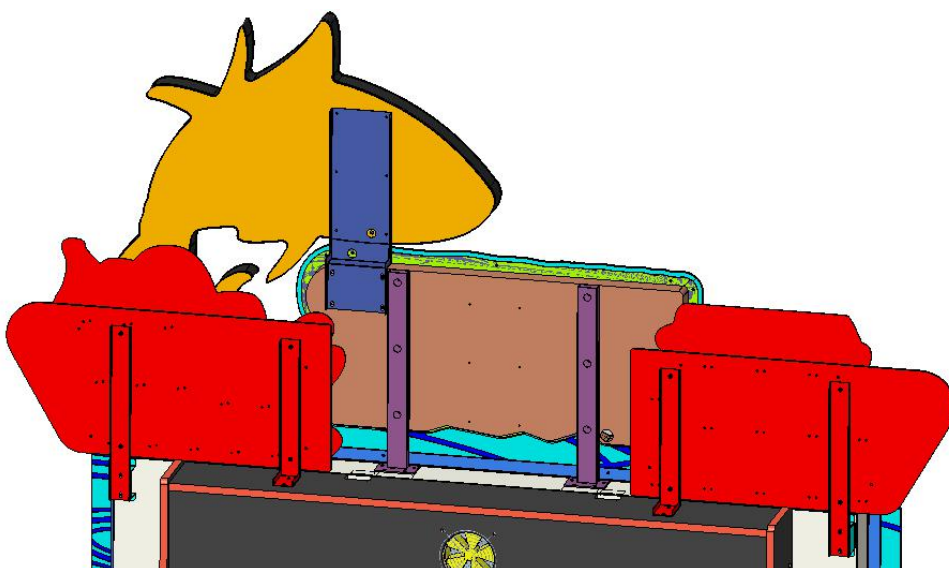
Name	Cross recessed hexagon screw set
Spec.	M4×16
Qty	6

Step 5 Install Fish bracket to the back of the LOGO marquee. Utilize screws to secure the Fish bracket to the back of the LOGO marquee. Connect the connector.



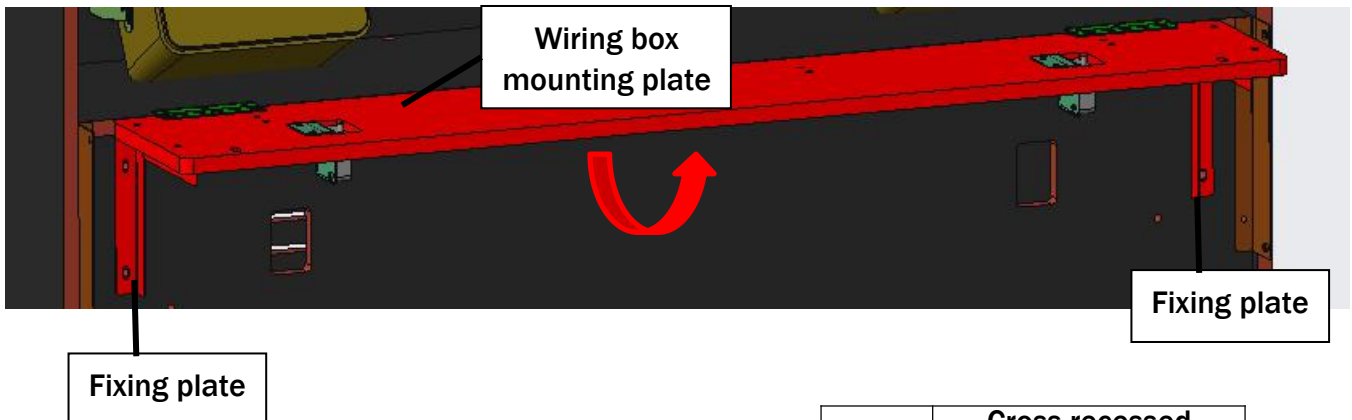
Name	Cross recessed hexagon screw set
Spec.	M5×10
Qty	4

Step 6 Install L&R side marquee to the Monitor cabinet. Utilize screws to secure L&R side marquee to the Monitor cabinet. Connect the connector.



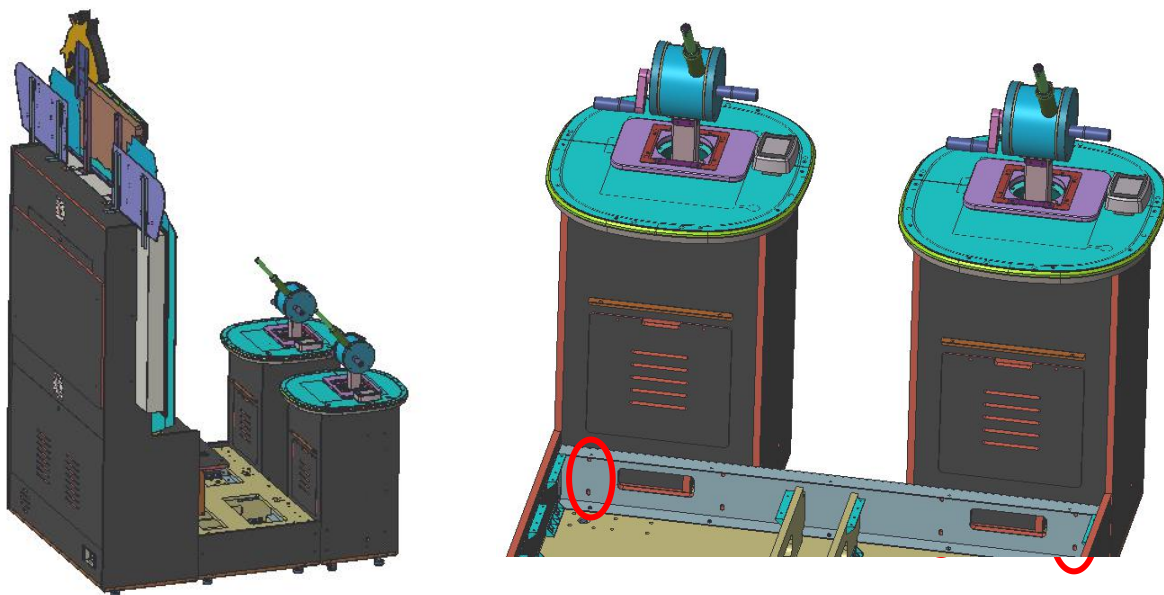
Name	Cross recessed hexagon screw set
Spec.	M5×10
Qty	8

Step 7 Locate Cabinet front side. Loosen screws to turn up the Wiring box mounting plate. Install Fixing plate to the Wiring box mounting plate.



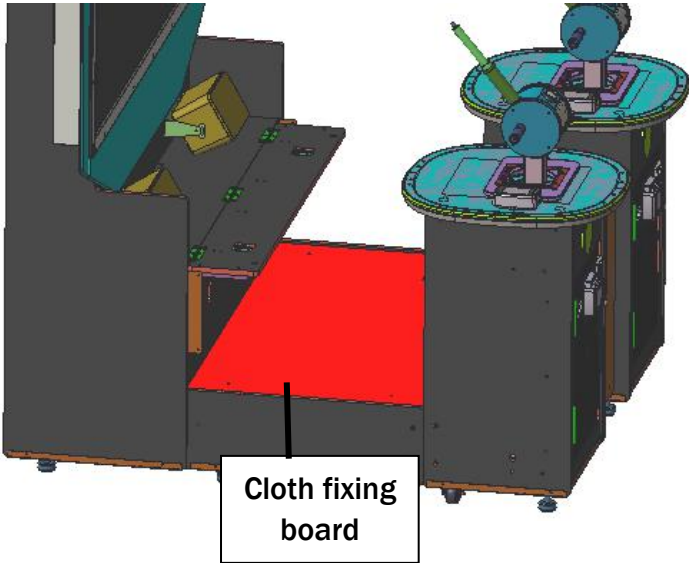
Name	Cross recessed hexagon screw set
Spec.	M5×16
Qty	8

Step 8 Align the 2 Control panel assembly with the Base assembly. Connect the connectors. Utilize screws to secure Control panel assembly to the Base assembly



Name	Cross recessed hexagon screw set
Spec.	M6×30
Qty	8

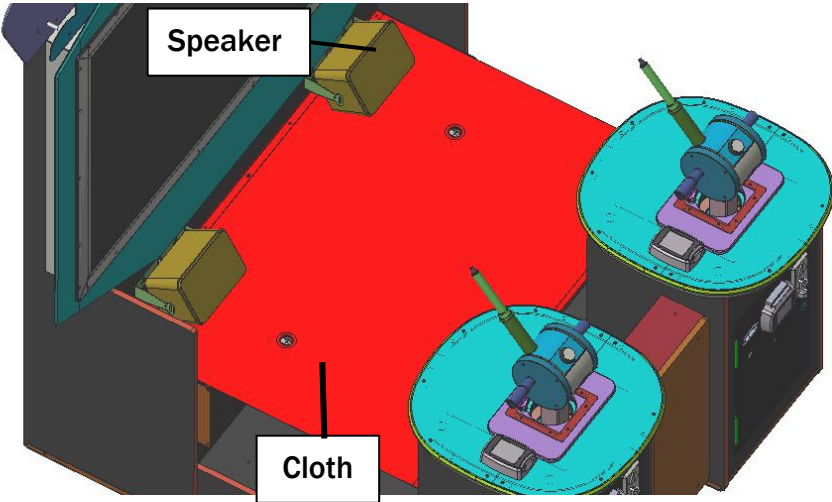
Step 9 Install Cloth fixing board to the Base assembly.



Name	Cross recessed hexagon screw set
Spec.	M5×30
Qty	4

Step 10 Place Cloth to the Wiring box mounting plate and Control panel assembly. Utilize screws to secure the Cloth. Adjust the Speaker position.

Note: Before secure the Cloth, please take the rod out.

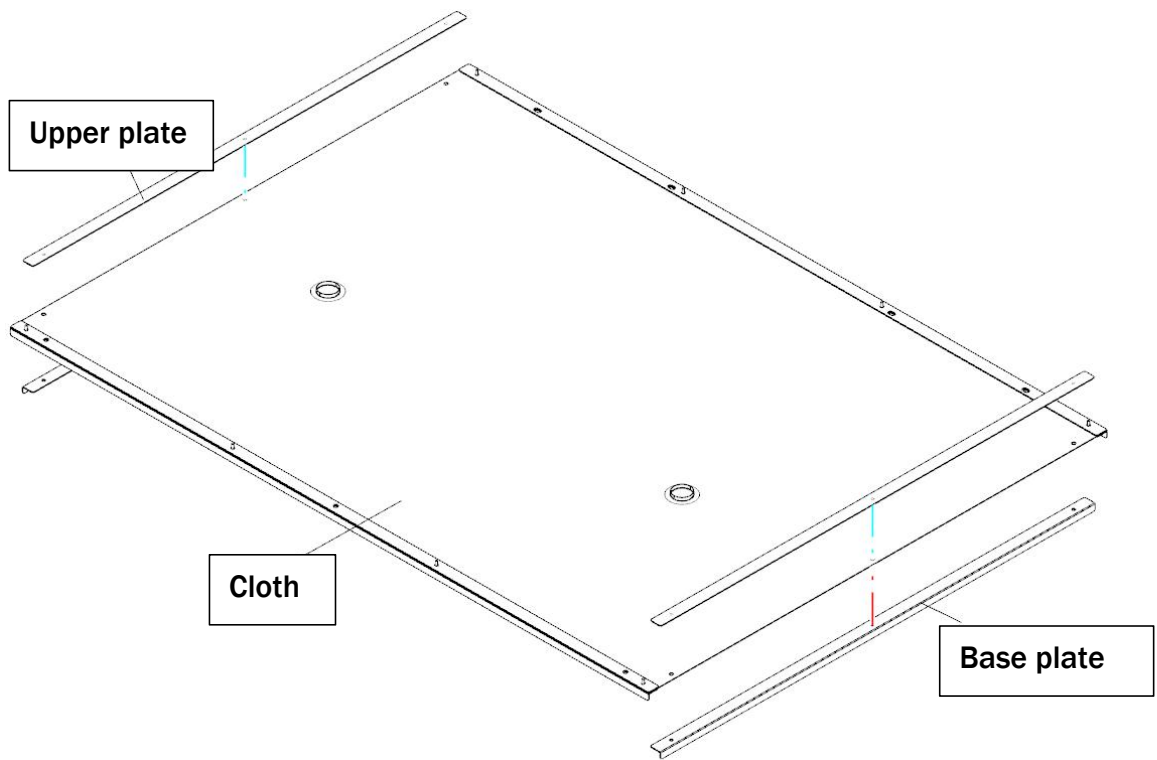


Name	Hexagon screw set
Spec.	M5×12
Qty	4



Name	Hexagon screw set
Spec.	M5×16
Qty	3

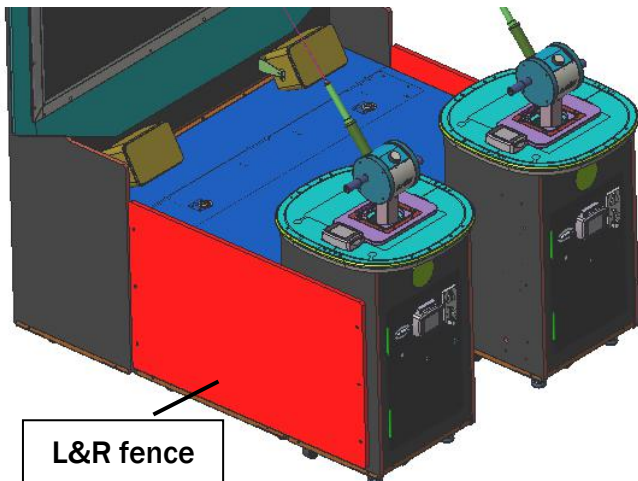
Step 11 Install the Base plate and Upper plate. Utilize nuts to secure.



Step 12 Locate Control panel fishing rod. Loosen the nut and insert the Rod in. Install the nut back. Install the other side of rod to the Wiring box.



Step 13 Install L&R fence to the Cabinet. Utilize screw to secure the L&R fence to the Cabinet.



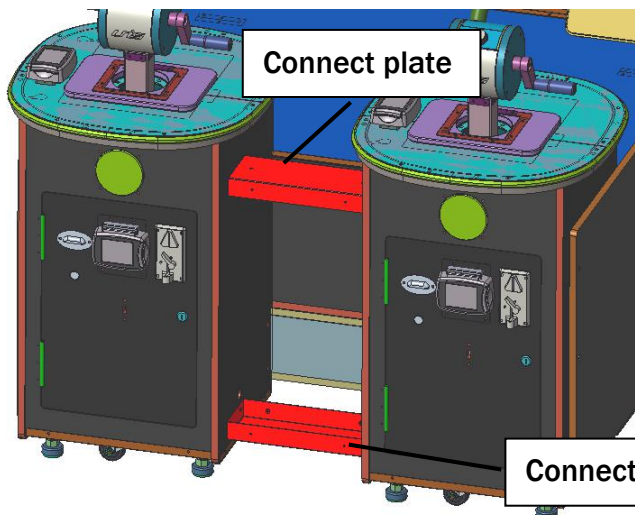
L&R fence



Name	Hexagon screw
Spec.	M5×30
Qty	12

Step 14 Install Connect plate to the Control panel.

Note: 1.Connect plate with light strip please install on the bottom side.



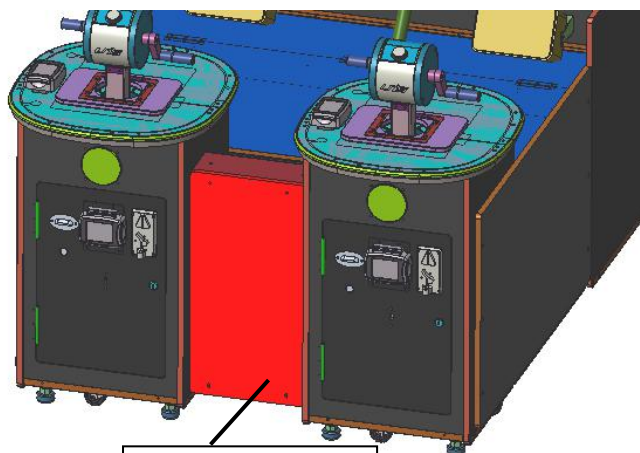
Connect plate

Connect plate with light strip



Name	Cross recessed hexagon screw set
Spec.	M6×20
Qty	8

Step 15 Install Connect board to the Control panel.



Connect board



Name	Hexagon screw
Spec.	M5×30
Qty	4

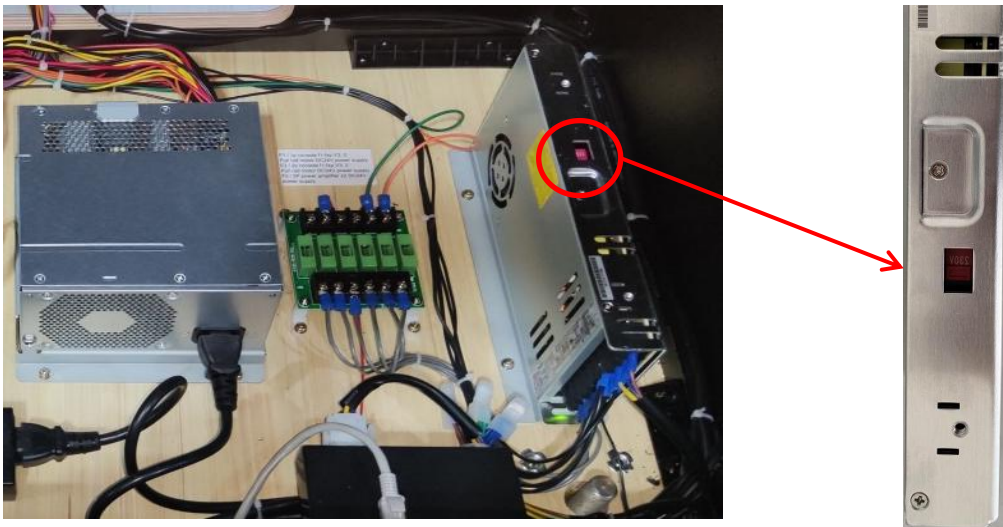
Finish!



4.5 Voltage Conversion

Step 1 Power off the machine. Locate the Power supply and PC.

Step 2 Toggle the Power supply and PC switch to 115V or 230V according to your need.



4.6 Card Reader Installation Safety Notice

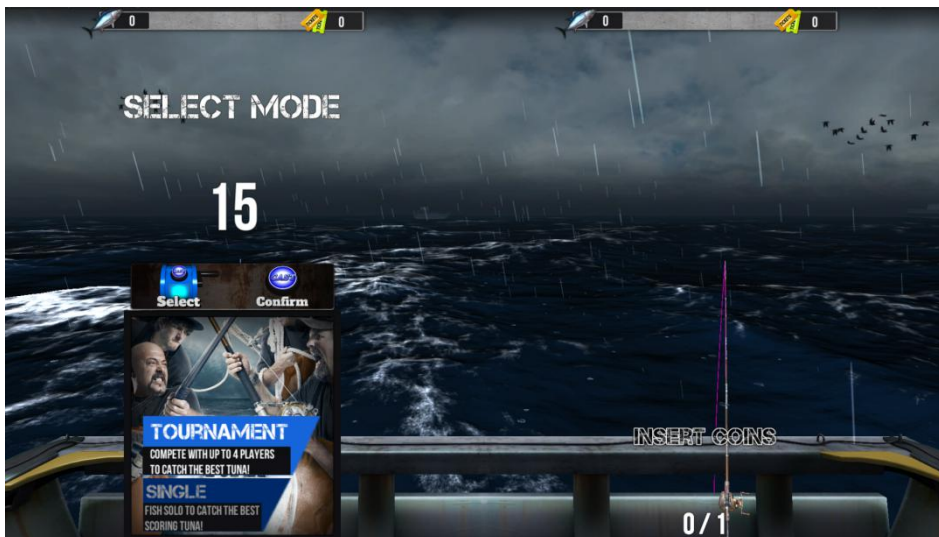


Take precaution to assure that all wiring voltages are confirmed prior to installation of card reader. All warranties are void if not properly installed resulting in logic board damage.

Important: This game is pre-wired to AAMA standards. It is highly recommended to utilize this wiring for Card reader installation.

5. HOW TO PLAY

5.1 Insert coins to play. Select game mode.



5.2 Select game level and captain. There are 5 captains to choose, each with different attribute.

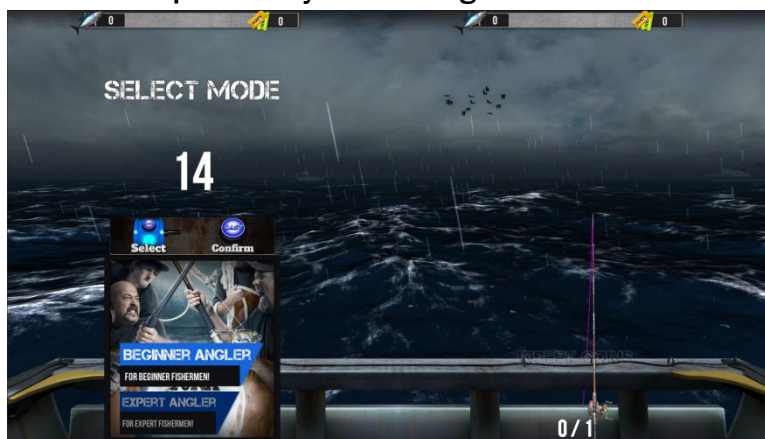
Strength(STR): Affect line speed

Experience(EXP): Affect fish biting rate

Speed (SPD): Affect line speed

Endurance (END): Affecting the speed at which fish struggle to escape

Lucky(LUK): Affects the probability of catching tuna



5.3 Press the CAST button to launch the rod.



5.4 Watch the Radar area. The fish icon in the Radar area represents different qualities of fish.

The left color bar represents the quality of fish in the corresponding area. The color bar can be divided into blue, green and yellow.

Blue has the lowest quality and yellow has the highest quality.

Press the CAST button to hook the desired fish.



5.5 Turn the handle, pull the rod and start to reel the fish in.



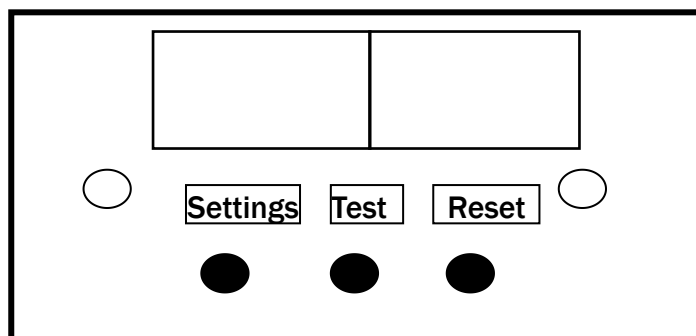


5.6 Catch the fish success will show the size and weight of the fish. If catch Tuna will be rated for meat quality.



6. GAME OPTION

6.1 Adjustment button instruction



Open the coin door and there is a meter panel. Press Settings button to enter the setting menu.

6.2 Setting menu

6.2.1 Main menu

Options
Game Setting
Input Test
Output Test
Resistance Setting
Shake Setting

Options
Rod Calibration
Game Reset
Language
Bookkeeping
Exit&Save
Exit

6.2.2 Game Setting

Options	Status	Description
Game Mode	Count/Time	
Coins/Play	1-50 coins play	
Difficulty	Normal/medium/difficult	Game level
Free Play	ON/OFF	
Rod Play	1-10 rod play	Rod play per game
Match Timer	30-600s	Match mode game time
Rate	5-100(Ticket/Play)	Ticket rate
Out Tickets Switch	ON/OFF	Ticket mode
Tickets Setting		Please refer to 6.2.2.1
Auto Start Timer	10-120s	Automatic rod casting time
Demo Timer	1min	Demo playing interval.
BGM Volume	0-200	
Sound Effect Volume P1	0-200	

Options	Status	Description
Voice Over Volume P1	0-200	
Alarm Sound Volume P1	0-200	
Sound Effect Volume P2	0-200	
Voice Over Volume P2	0-200	
Alarm Sound Volume P2	0-200	
Demo BGM	ON/OFF	
Pay Mode	Coins/Tap card/Coin&Tap card	
Divide By 2	ON/OFF	
Out of tickets	Save in memory/Call attendant	
Trigger Alarm Sensitivity	0-100	In demo state, if someone control the fishing rod beyond this value, the machine will emit an alarm sound
Back		

6.2.2.1 Tickets Setting

Options	Default	Available Point Range
Mercy Tickets	4	1-10
Rod Snapper	10	1-20
Mahi Mahi	20	1-50
Amberjack	10	1-20
Albacore Tuna	10	1-20
Bigeye Tuna	10	1-20
Yellow-fin Tuna	10	1-20
Short-fin Mako Shark	30	1-50
Alantic Sword Shark	20	1-50
Sailfish	20	1-50
Bluefin Tuna B	30	1-50
Bluefin Tuna A	40	1-100
Bluefin Tuna S	70	1-250
Shark	50	1-250
Goliath Grouper	100	1-500
King Marlin	100	1-500
Super Bluefin Tuna	500	1-1000

6.2.3 Input Test

P1 Coin in: Cast: Rod: Rolling:	P2 Coin in: Cast: Rod: Rolling:
Back	

6.2.4 Output Test

Resistance:	
P1 Shake:	P2 Shake:
P1 Rod Power:	P2 Rod Power:
P1 Btn Light:	P2 Btn Light:
P1 Out Ticket:	P2 Out Ticket:
Back	

6.2.5 Resistance Setting

Options	Status
Resistance Lvl	Normal/medium/Difficult
Back	

6.2.6 Shake Setting

Options	Status
Shake Lvl	Normal/medium/Difficult
Back	

6.2.7 Rod Calibration

Rod Calibration					
Move the Rod to the upper,lower, left and right limit positions.					
	X	Y	YMin	YMax	XMin XMax
1P					
2P					
Back&Save					
Back					

6.2.8 Game Reset

Options
Reset Game Factory
Clear Records
Clear Tickets
Clear Coins
Clear Rod Calibration
Back

6.2.9 Bookkeeping

Player	Coins	Pay	Out Tickets	Return Rate(Tickets/Pay)
Back				

7. TROUBLESHOOTING



7.1 Common Problem

Please confirm that all connectors fit tightly.

Symptom	Possible Cause	Recommended action
Game will not start	Frame assembly connector is loose.	Check connector.
	Frame assembly fault	Contact with UNIS Service.
Power off	Circuit protector make power SW in off state.	Turn on power SW again. If appeared again and again, machine has anomaly. Please contact with UNIS Service.
No ticket dispensing	Out of ticket.	Add ticket and press reset button
	Ticket jamming.	Remove the jammed tickets and press reset button.
	The connector is loose.	Plug the connector tightly.
No sound	Low volume	Raise the volume.
	Connector loose.	Check connector.
	Speaker fault.	Check speaker.
	POT installation error.	Install POT correctly.
	POT fault.	Change POT.
	Audio cable problem.	Reconnect the audio cable or change it.
	PC crash.	Restart or system recovery.
Display black screen	Check connectors.	Plug in connector tightly
	Display fault.	Utilize another source such as a PC to verify if the display is operational.
	RAM is loose.	Remove and reinsert RAM.
Display blue screen	PC power cord is loose	Check PC power cord whether is loose.
	VGA signal cable is loose.	Check VGA cable
	PC video card is loose.	Reseat video card.
	“0X000000A” code appears. Conflict between computer drive and software.	Contact service

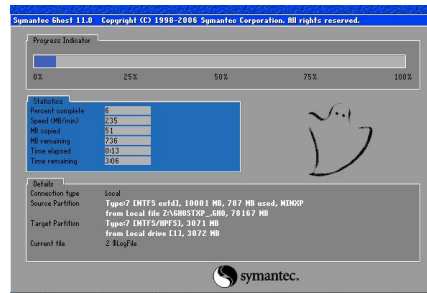
Note: After replacing component from PC (except for RAM), and replacing monitor, the game should be recovered again with the recovery stick attached to the machine.

If you see following error signs showing on the display, please try the recommended action.

Display	Possible Cause	Recommended action
 ROD UNCALIBRATED	Rod is not calibrate.	Re-calibrate the Rod.
 IO ERROR	The connection part of the IO board and PC are loose.	Check and reconnect the loose ports of the PC or IO board.
	Cable quality problem	Change the cable after checking the connection between IO board and PC.
	Cable became loose during transportation.	Check and reconnect the loose cables of the PC or IO board.
	IO board is faulty.	Reboot the game after checking connection and cable problem, if the problem remains unresolved, please call the service department for assistance.

7.2 System Recovery Operation **(NOTE: Do not disconnect power during this process.)**

1. Turn off the game. Remove the recovery stick from the machine. (Note: This process may take up to 60 minutes) Insert the recovery stick into the port at the back of the computer.
2. Restart PC to enter the system recovery screen as shown.



3. The game will automatically start recovery.
4. Once system recovery is partially finished (as shown below), and the ICON appears, remove the recovery stick from the computer. The game will continue the install process.

OK to remove the recovery stick.



5. Assure that the recovery stick has been properly secured for future use.



WARNING: The recovery stick should only be used to fix software errors. Using it for other purposes may cause unexpected results and damages.

8.MAINTENANCE & INSPECTION

8.1 Safety Check

Check the points listed before operating the machine. These checks are necessary for safe machine operation:

1. Test game before operation each day.
2. Conduct monthly routine checks of game components to ensure good working condition.
3. Check the machine regularly for dust and clean when necessary.

Note: Parts and components require preventative maintenance to maintain proper operation.

8.2 Handling Precautions

When installing or inspecting the machine, be very careful and pay attention to ensure that the player can enjoy the game safely.

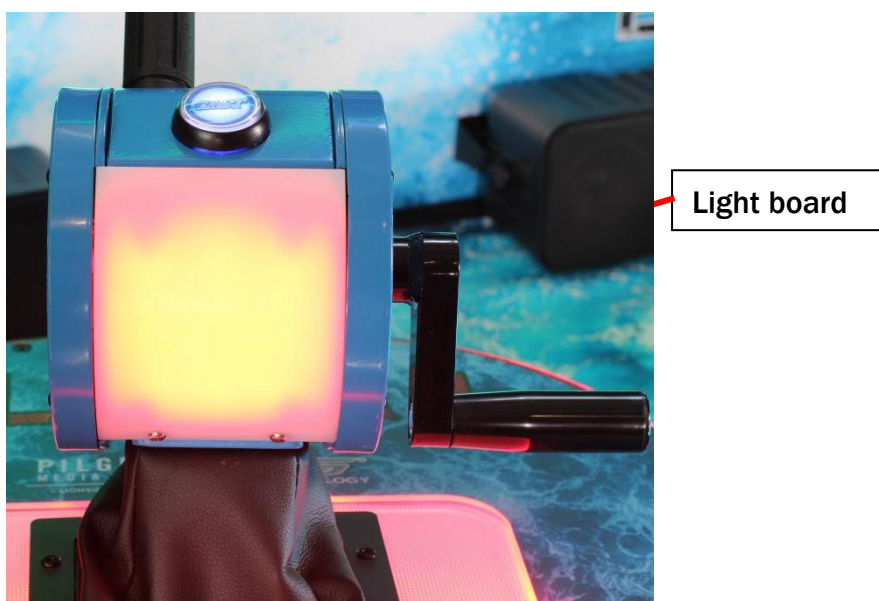
Inappropriate handling running counter to the cautionary matters can cause personal injury or damage to the machine.

NOTICE

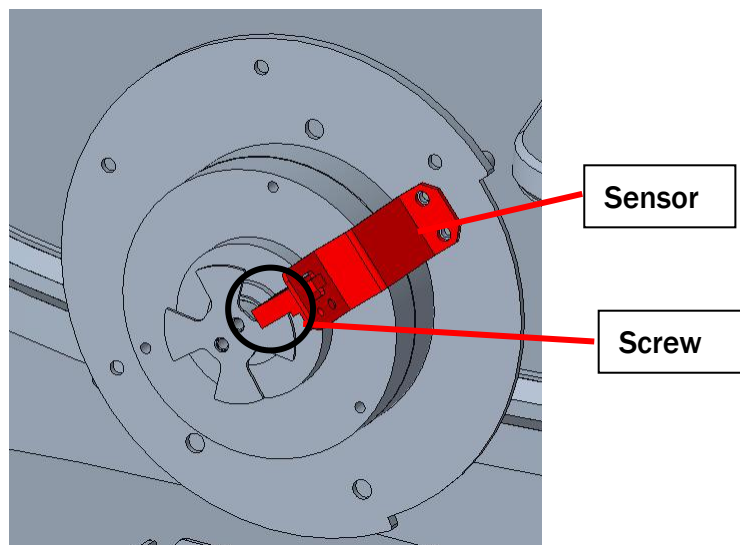
We do not recommend using power tools as they may cause damage.

8.3 Fishing Rod Assembly Sensor Replacement Instruction

Step 1 Locate Fishing assembly. Loosen screws to remove Light board. Unplug the connector.

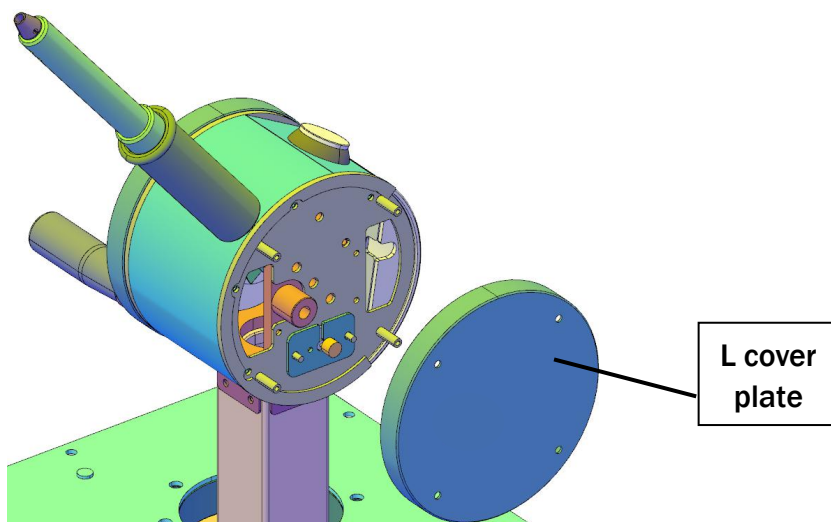


Step 2 Locate Sensor. Unplug the connector. Loosen the sensor screw to remove Sensor. Replace it with new Sensor and install it in reversed order.

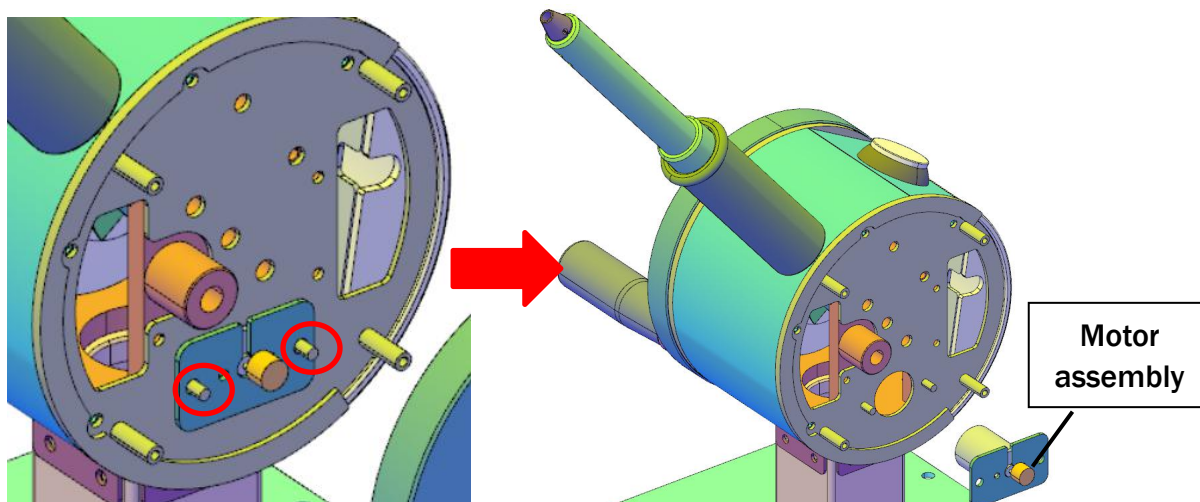


8.4 Fish Rod Assembly Shaking Motor Replacement Instruction

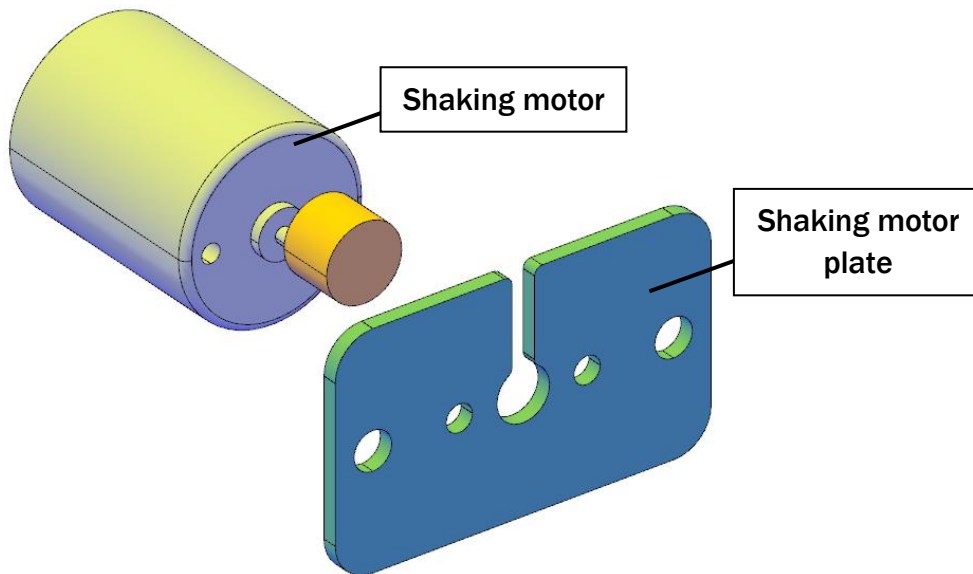
Step 1 Loosen the screw to remove L cover plate.



Step 2 Loosen nuts to remove R cover plate.



Step 3 Loosen nuts to remove Shaking motor.



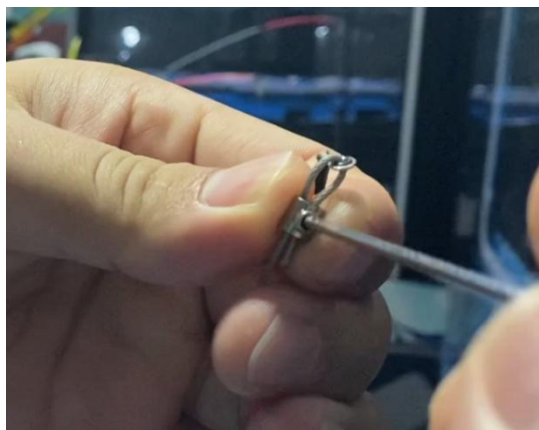
Step 4 Replace it with new Motor and install it in reversed order.

8.5 Rod Replacement Instruction

Step 1 Locate Control panel fishing rod. Loosen the nut and remove the Rod.



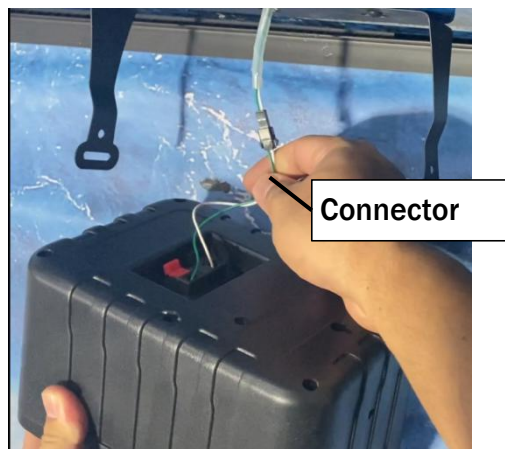
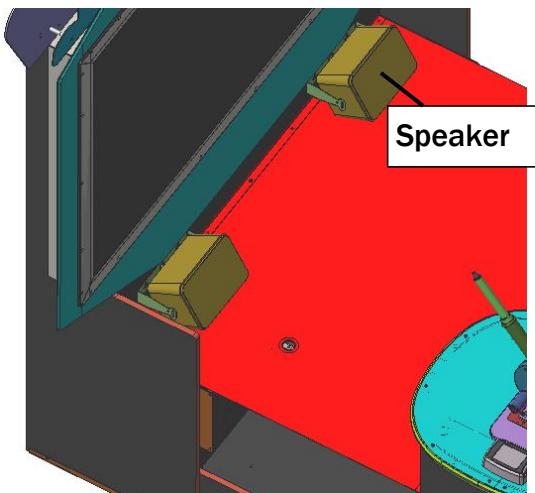
Step 2 Loosen the nut to remove the Wiring. Remove the Rod from the Wiring box.



Step 3 Replace it with new Rod and install it in reversed order.

8.6 Speaker Replacement Instruction

Step 1 Locate Speaker. Loosen the side nut to remove Speaker. Unplug the connectors.



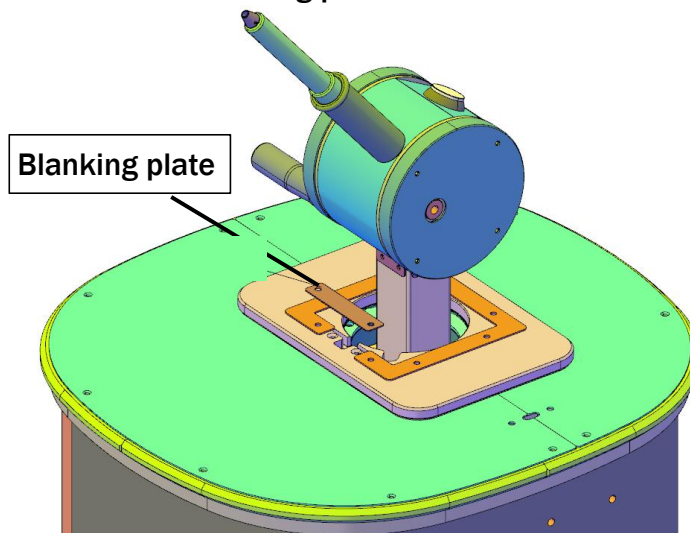
Step 2 Replace it with new Speaker and install it in reversed order.

8.7 Fishing Rod Assembly Replacement Instruction

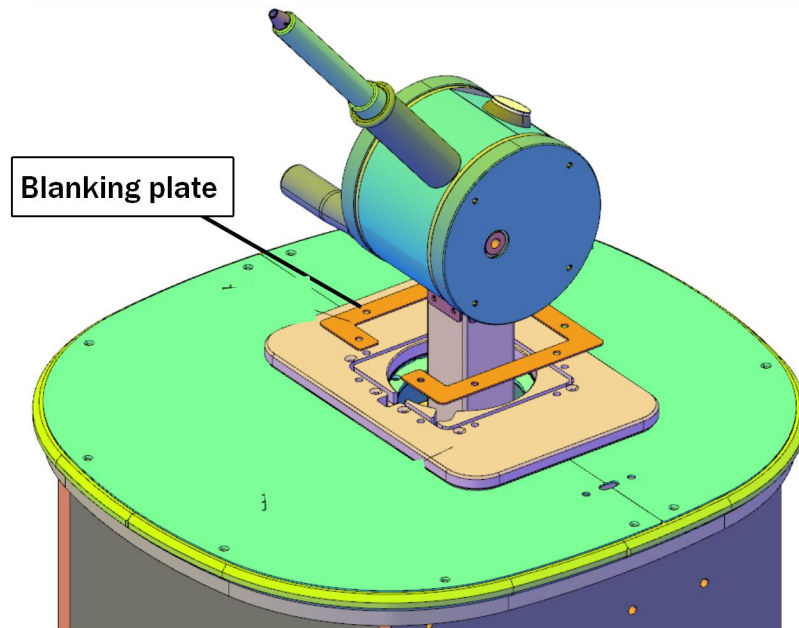
Step 1 Locate Control panel fishing rod. Loosen the nut and remove the Rod.



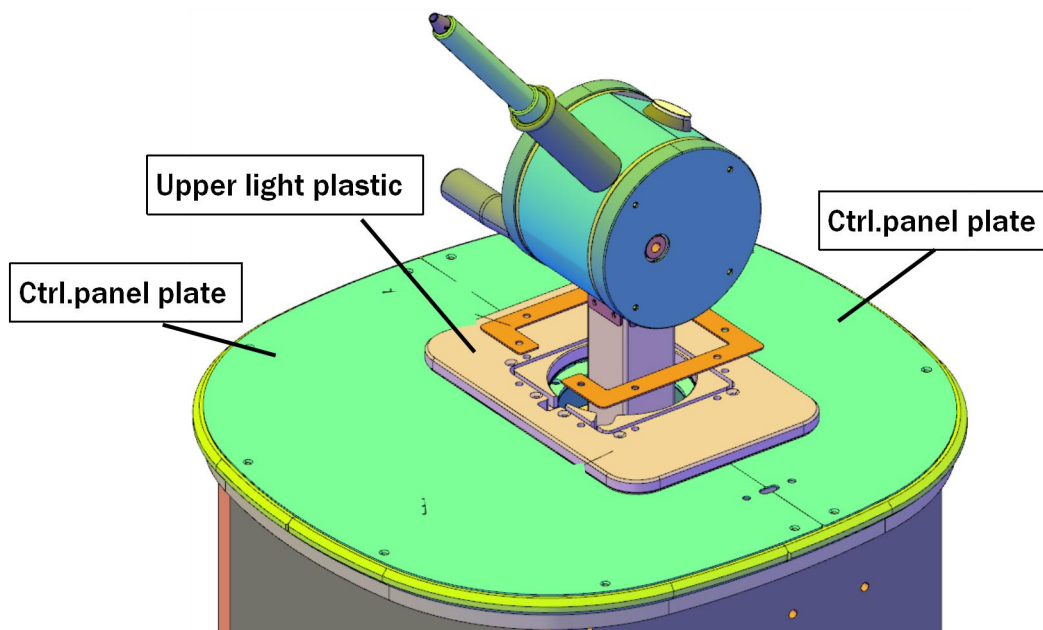
Step 2 Loosen screws to remove Blanking plate.



Step 3 Loosen screws on the Rubber fixing plate. Lift the Leather up.

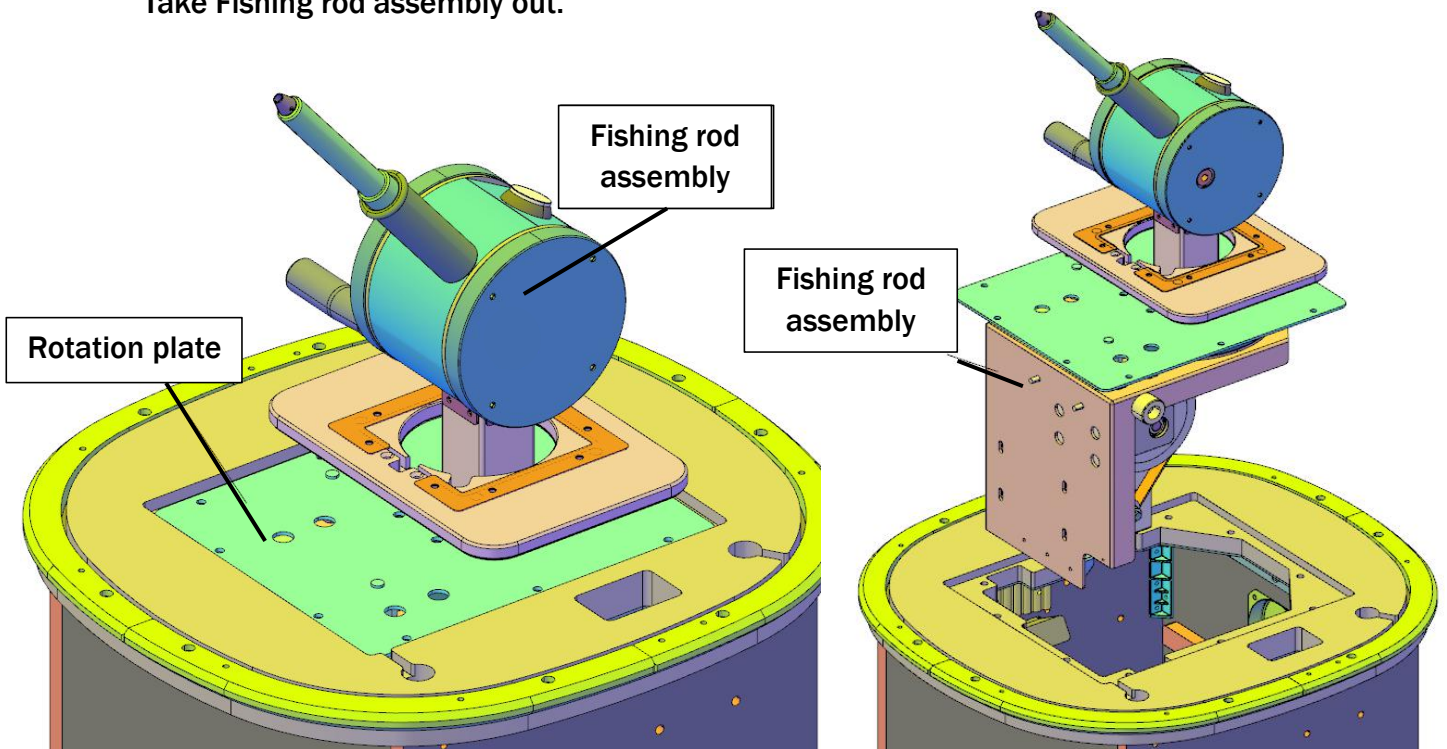


Step 4 Loosen screws on the Upper light plastic. Remove Ctrl.panel plate.



Step 5 Loosen screws on the Rotation plate. Open the service door and unplug Fishing rod assembly connector.

Take Fishing rod assembly out.

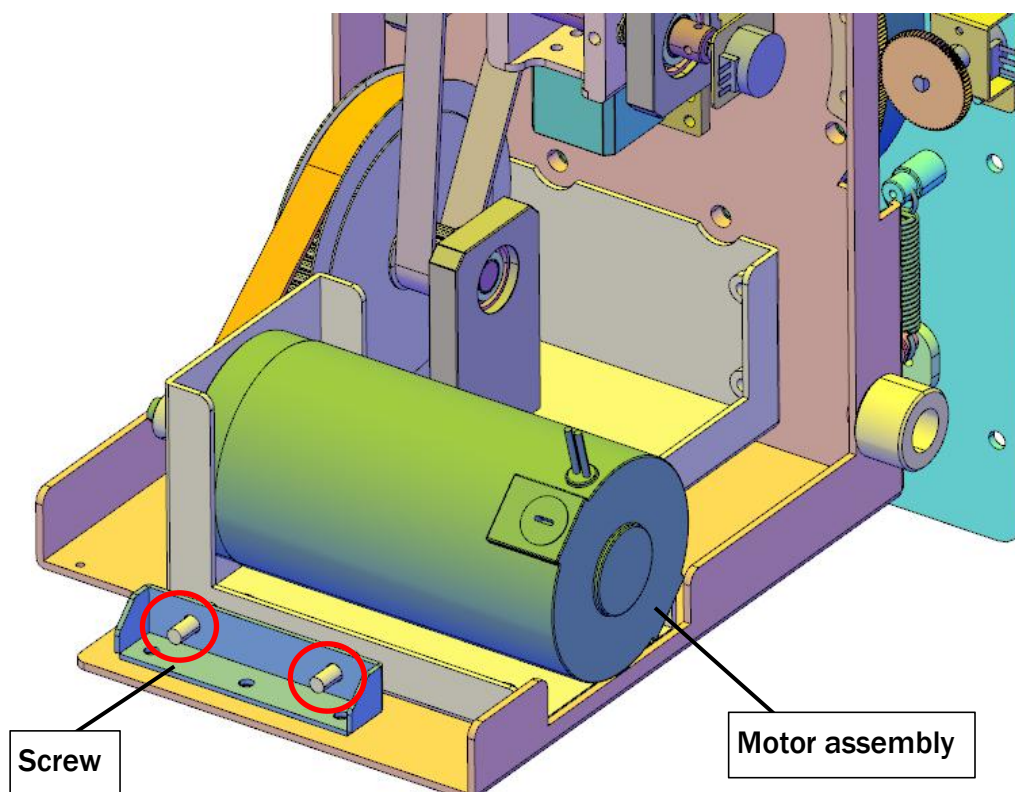


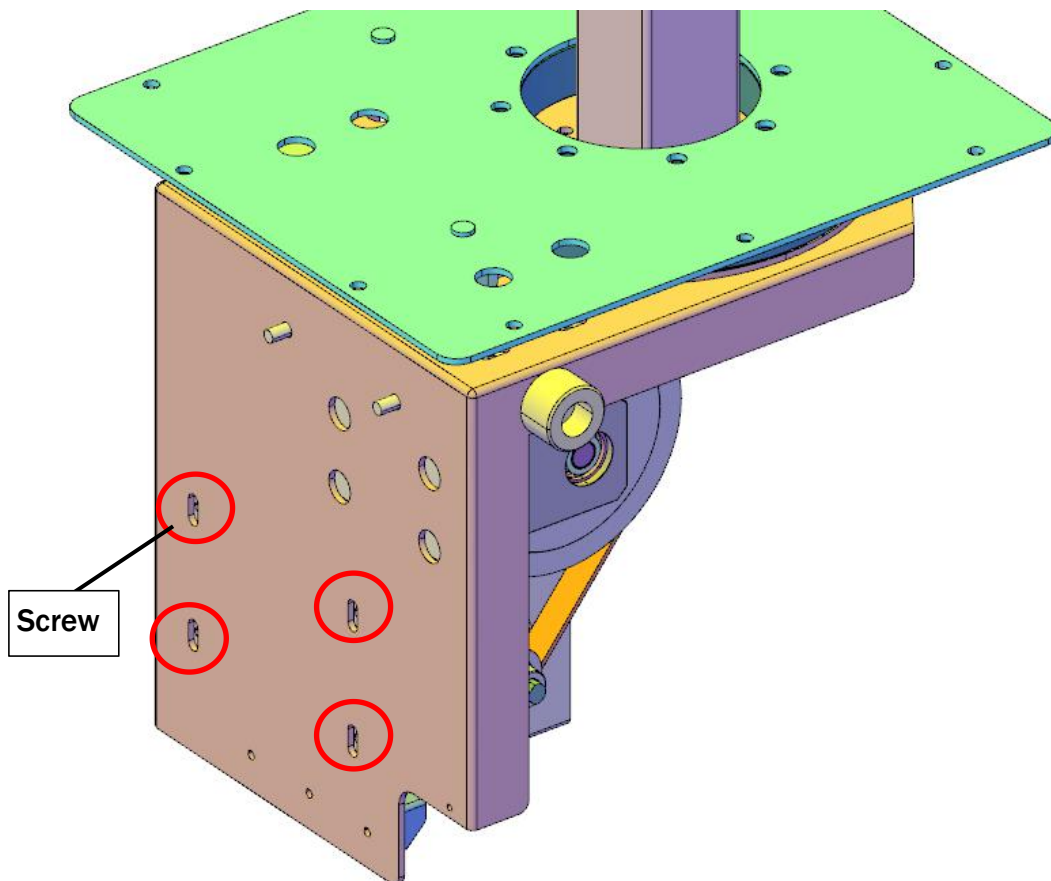
Step 6 Replace it with new control panel assembly and install it in reversed order.

8.8 Fishing Rod Assembly Motor Replacement Instruction

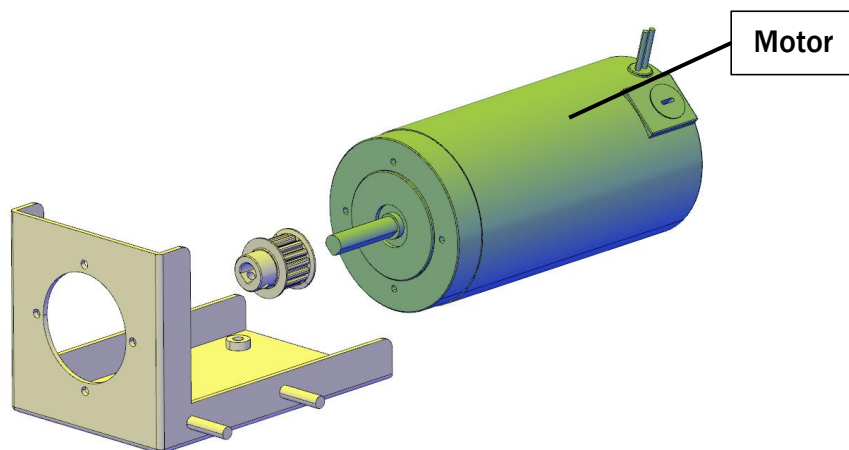
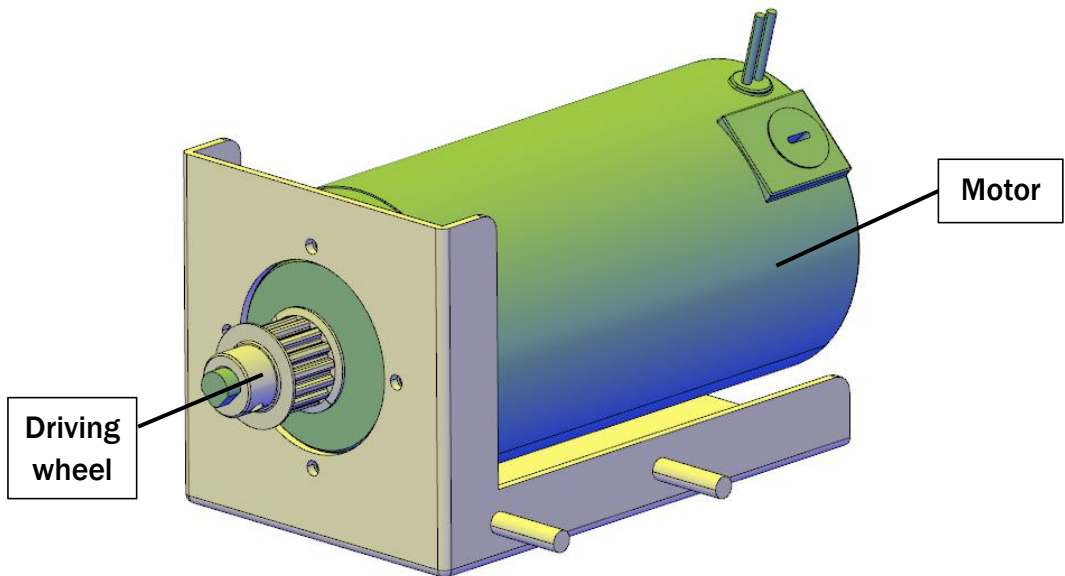
Step 1 Follow the 8.11 steps to remove **Fishing rod assembly**.

Step 2 Locate Fishing rod assembly motor. Unplug the motor connector. Loosen screws to remove Motor assembly.



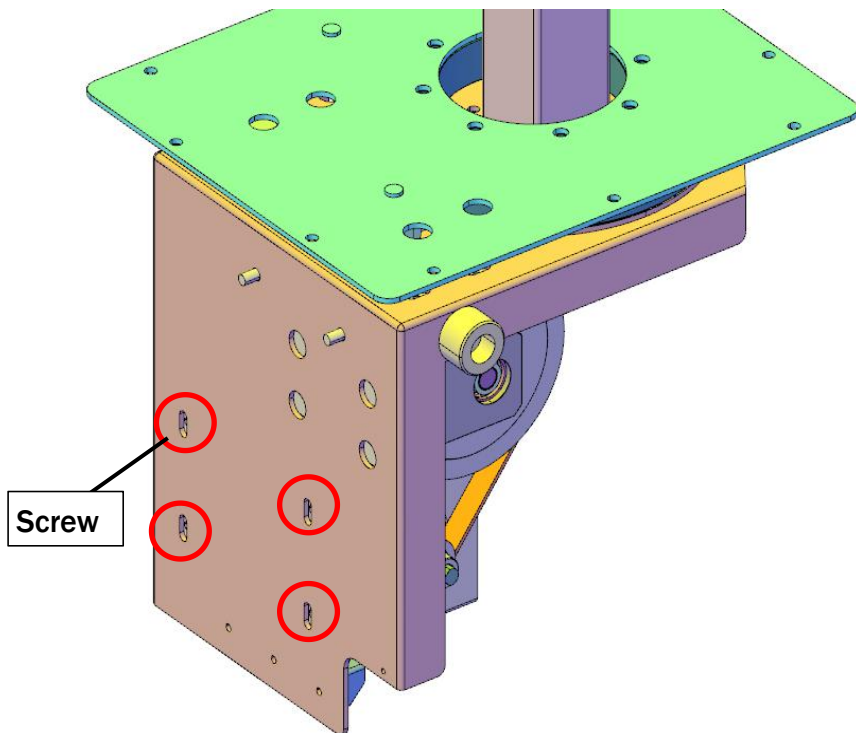


Step 3 Remove screws to remove motor plate. Remove Driving wheel nut to remove motor.



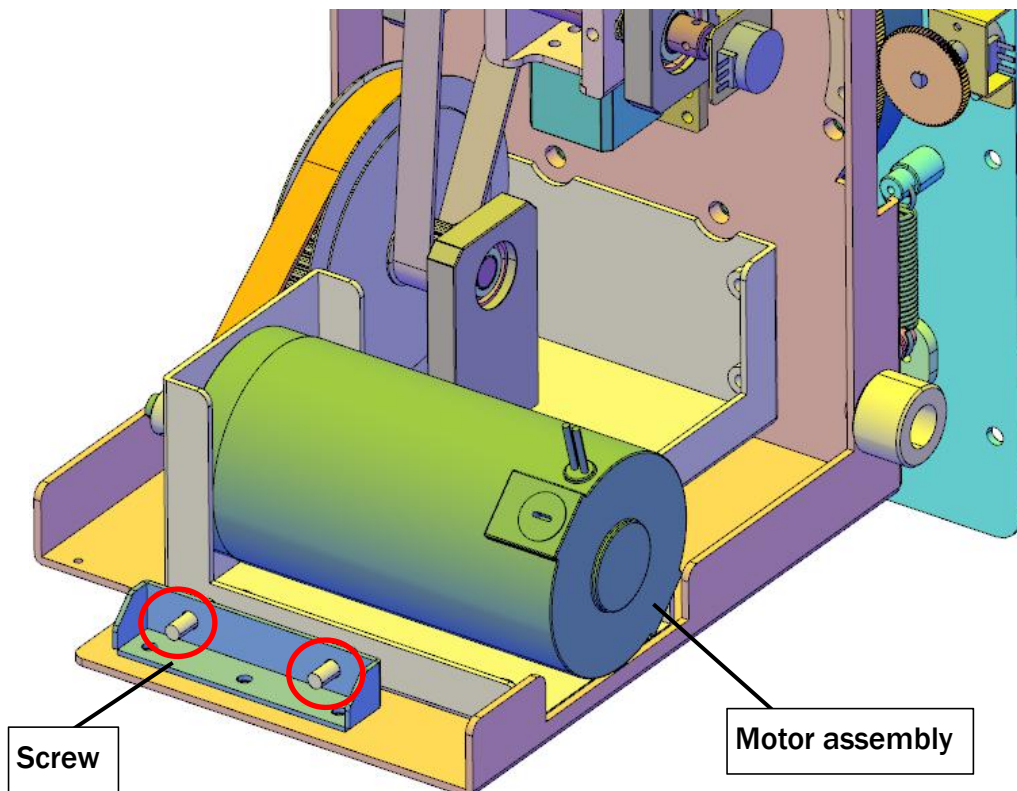
Step 4 Replace it with new motor and install it in Step 3 reversed order.

Step 5 Install Motor assembly back to the Fishing rod assembly. Utilize screw to secure Motor assembly a bit(**DO NOT TIGHTEN**).

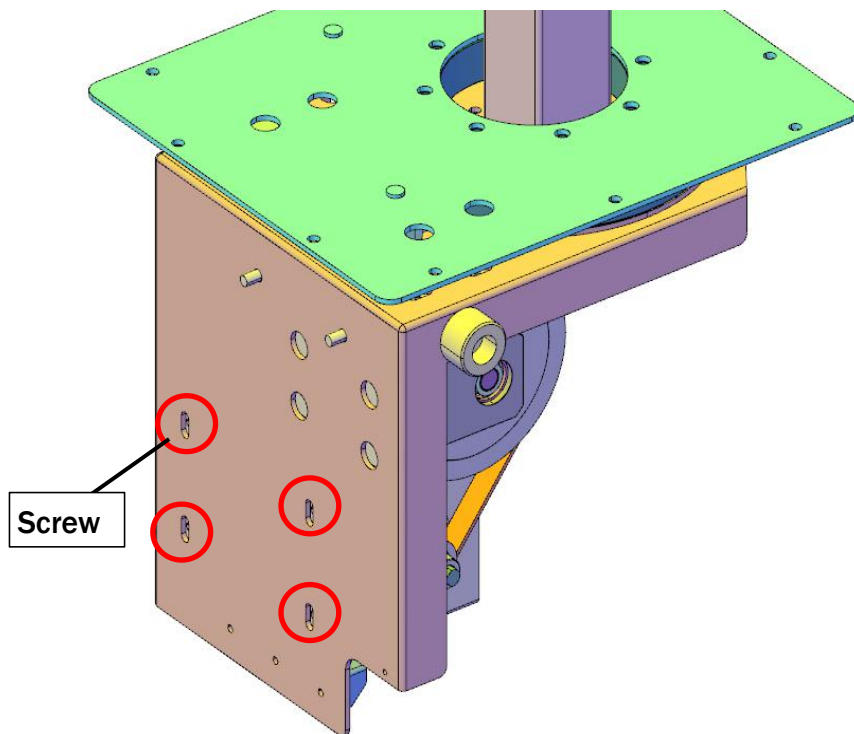


Step 6 Utilize screws circled in the picture to tighten the motor and adjust the belt.

Notice: Adjust the Rolling wheel assembly belt about 80N tension.



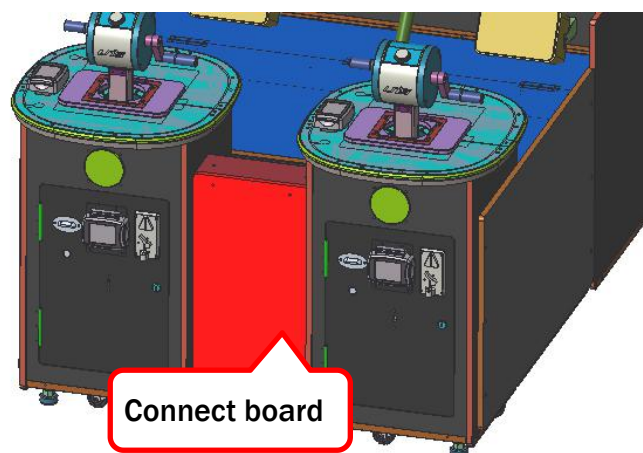
Step 7 After adjusting, tighten the screws back.



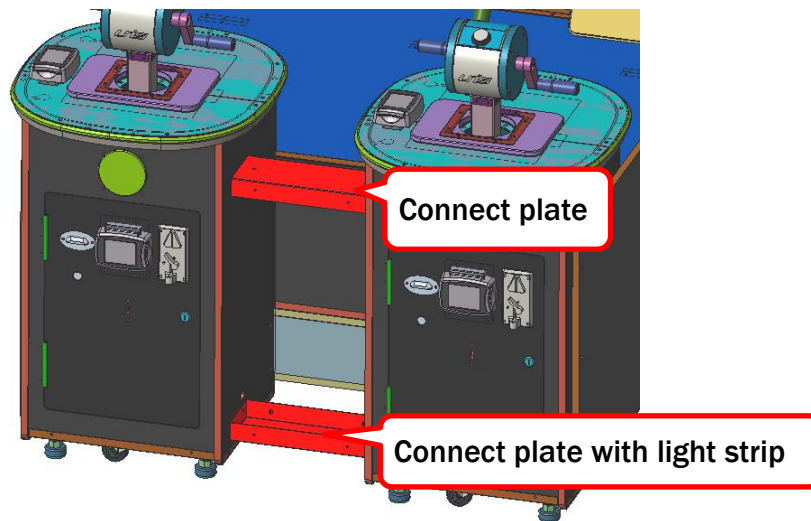
Step 8 The rest installation please refer to step 1-3 in reversed order.

8.9 Light Strip Replacement Instruction

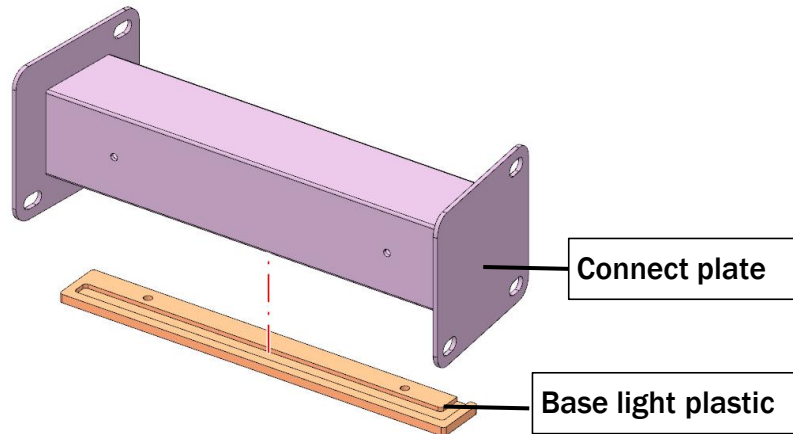
Step 1 Loosen screws to remove connect board.



Step 2 Open service door and unplug the light strip connector. Loosen screws to remove the Connect plate with light strip.



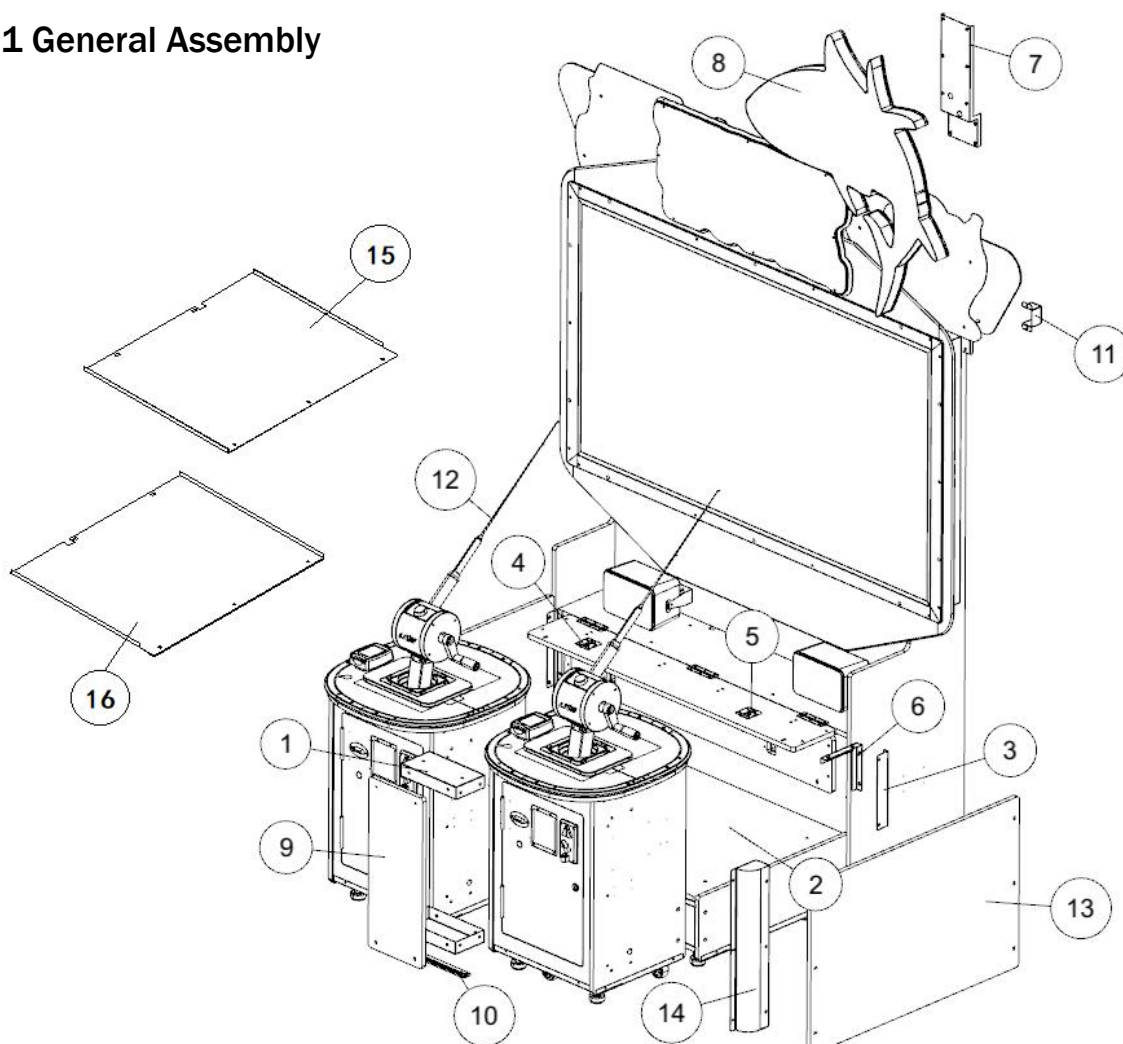
Step 3 Loosen screws to remove Base light plastic. Remove light strip.



Step 4 Replace it with new light strip and install it in reversed order.

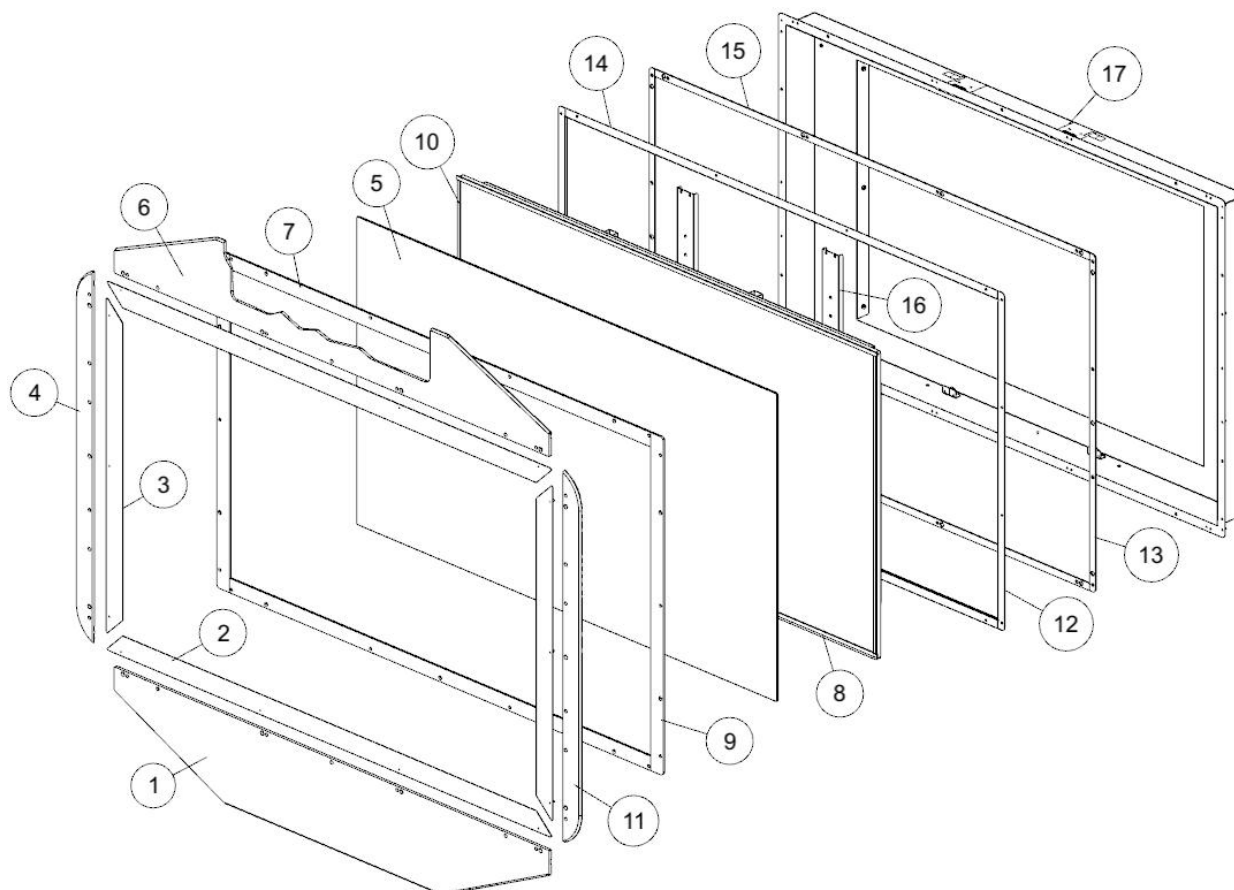
9. OVERALL CONSTRUCTION

9.1 General Assembly



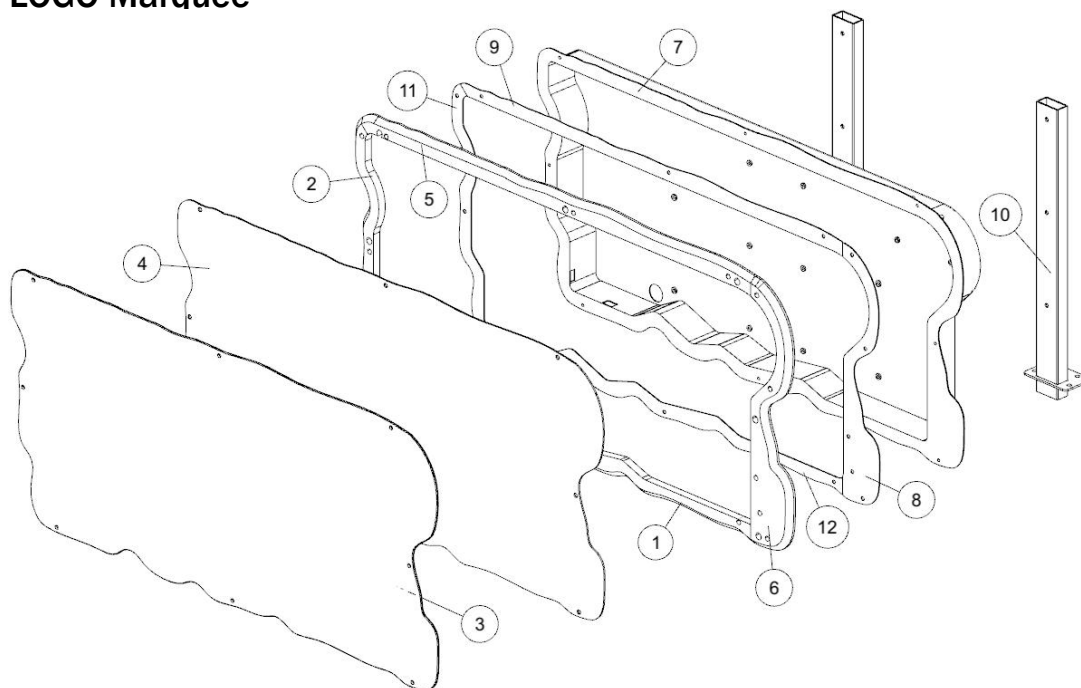
No.	Part No.	Code No.	Name	Version	Qty
1	W122-0001-00	202.4.2170.001	Ctrl. panel connect plate	1.1	2
2	W122-0002-01	203.4.2170.030	Front cover board	1.1	1
3	W122-0003-00	202.4.2170.002	Side connect plate	1.1	2
4	W122-0004-00	202.4.2170.003	Wiring box plate	1.1	2
5	W122-0005-00	2.51.08.070009	Wiring box	1.1	2
6	W122-0006-00	202.4.2170.004	Fixing plate	1.1	2
7	W122-0007-00	202.4.2170.005	Fish bracket	1.1	1
8	W122-0008-00	205.4.2170.002/1	Fish marquee	1.1	1
9	W122-0009-00	203.4.2170.007	Connect board	1.1	1
10	W122-0010-00	206.4.2170.003	Light strip fixing plastic	1.1	1
11	W122-0011-00	202.4.2170.034	Side connect plate	1.1	2
12	W122-0012-00	206.4.2002.026	Rod	1.1	2
13	W122-0013-01	203.4.2170.031	Fence B	1.1	1
	W122-0922-00	203.4.2170.037	Fence C	1.1	1
14	W122-0014-00	202.4.2170.033	Front fence	1.1	2
15	W122-0933-00	202.4.2170.042	L strengthen plate	1.1	1
16	W122-0934-00	202.4.2170.043	R strengthen plate	1.1	1

9.2 Monitor Assembly



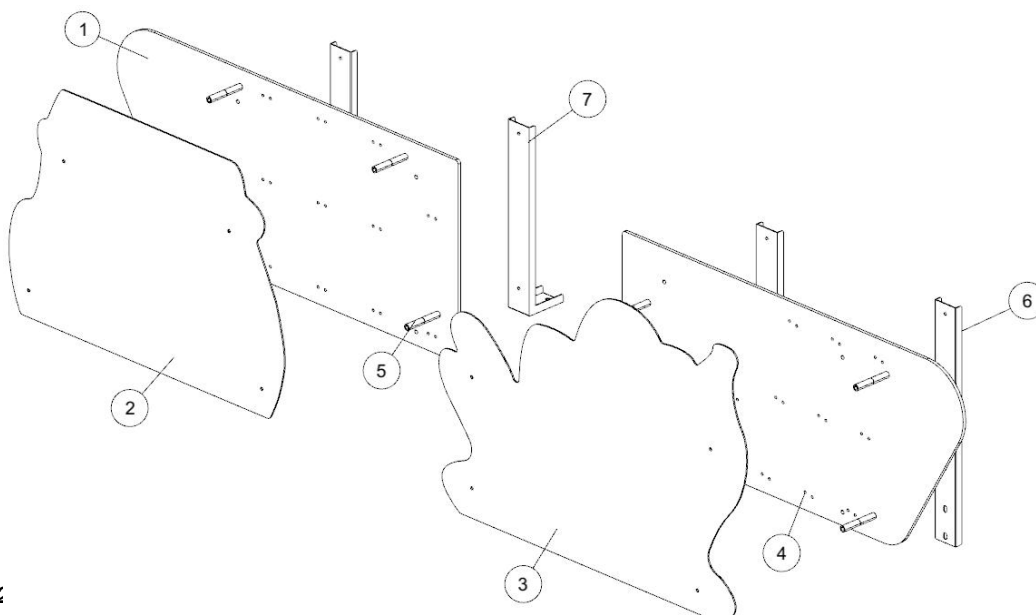
No.	Part No.	Code No.	Name	Version	Qty
1	W122-0602-00	202.4.2170.030	Monitor bottom light plastic	1.1	1
2	W122-0603-00	202.4.2170.008	Up&Down plate	1.1	2
3	W122-0604-00	202.4.2170.009	L&R plate	1.1	2
4	W122-0605-00	202.4.2170.031	Monitor L light plastic	1.1	1
5	W122-0606-00	206.4.2170.008	Monitor protect glass	1.1	1
6	W122-0607-00	202.4.2170.029	Monitor Upper light plastic	1.1	1
7	W122-0608-00	206.4.2170.010	Up&Down PP plate	1.1	2
8	W122-0609-00	206.4.2170.001	Up&Down foam	1.1	2
9	W122-0610-00	206.4.2170.009	L&R PP plate	1.1	2
10	W122-0611-00	206.4.2170.002	L&R foam	1.1	1
11	W122-0612-00	202.4.2170.032	Monitor R light plastic	1.1	1
12	W122-0613-00	202.4.2170.011	Light strip fixing plate(v)	1.1	2
13	W122-0614-00	206.4.2170.016	Width PP	1.1	2
14	W122-0615-00	202.4.2170.010	Light strip fixing plate(h)	1.1	2
15	W122-0616-00	206.4.2170.015	Long PP	1.1	2
16	W122-0617-00	202.4.2170.028	Monitor fixing plate	1.1	2
17	W122-0618-00	202.4.2170.007	Monitor frame	1.1	1

9.3 LOGO Marquee



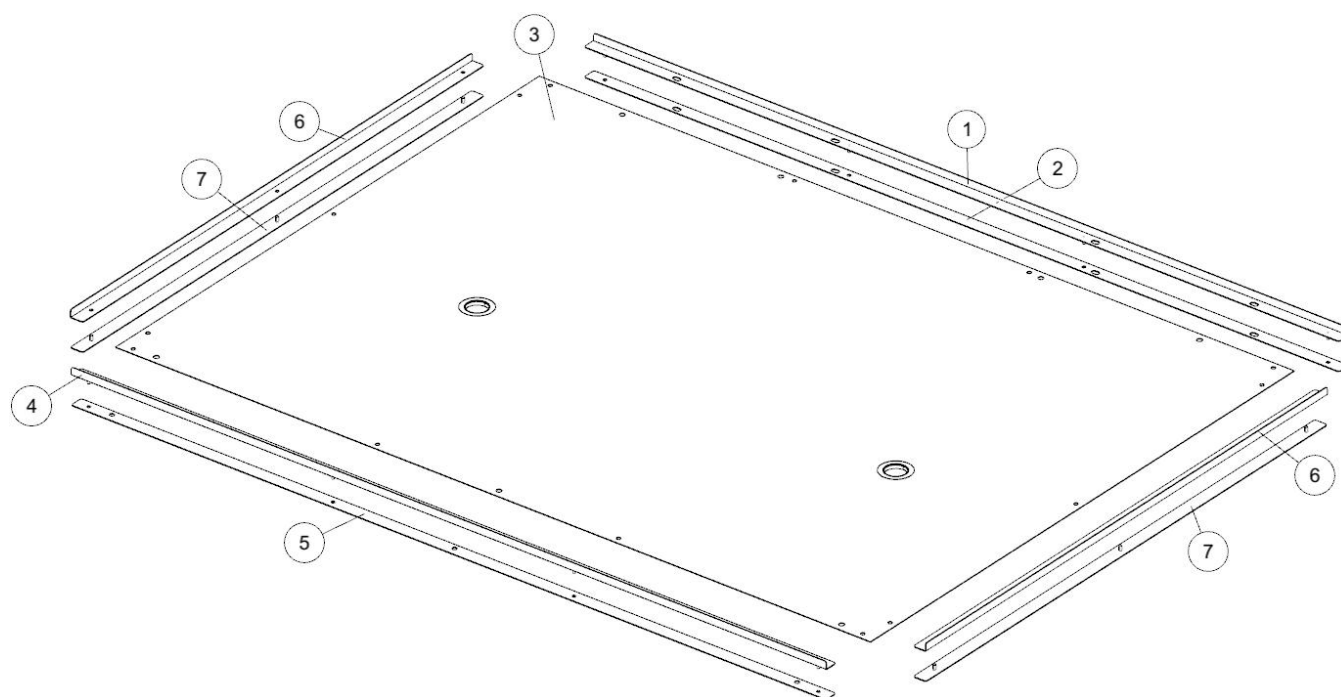
No.	Part No.	Code No.	Name	Version	Qty
1	W122-0802-00	206.4.2170.006	LOGO marquee bottom light plastic	1.1	1
2	W122-0803-00	206.4.2170.007	LOGO marquee L light plastic	1.1	1
3	W122-0804-01	205.4.2170.001/2	LOGO marquee plastic	1.1	1
4	W122-0805-00	206.4.2170.014	Light-transmitting plate	1.1	1
5	W122-0806-00	206.4.2170.004	LOGO marquee upper light plastic	1.1	1
6	W122-0807-00	206.4.2170.005	LOGO marquee R light plastic	1.1	1
7	W122-0808-00	202.4.2170.016	LOGO marquee frame	1.1	1
8	W122-0809-00	202.4.2170.019	LOGO marquee R fixing plate	1.1	1
9	W122-0810-00	202.4.2170.018	LOGO marquee upper fixing plate	1.1	1
10	W122-0811-00	202.4.2170.017	LOGO marquee bracket	1.1	1
11	W122-0812-00	202.4.2170.021	LOGO marquee L fixing plate	1.1	1
12	W122-0813-00	202.4.2170.020	LOGO marquee bottom fixing plate	1.1	1

9.4 L&R Marquee



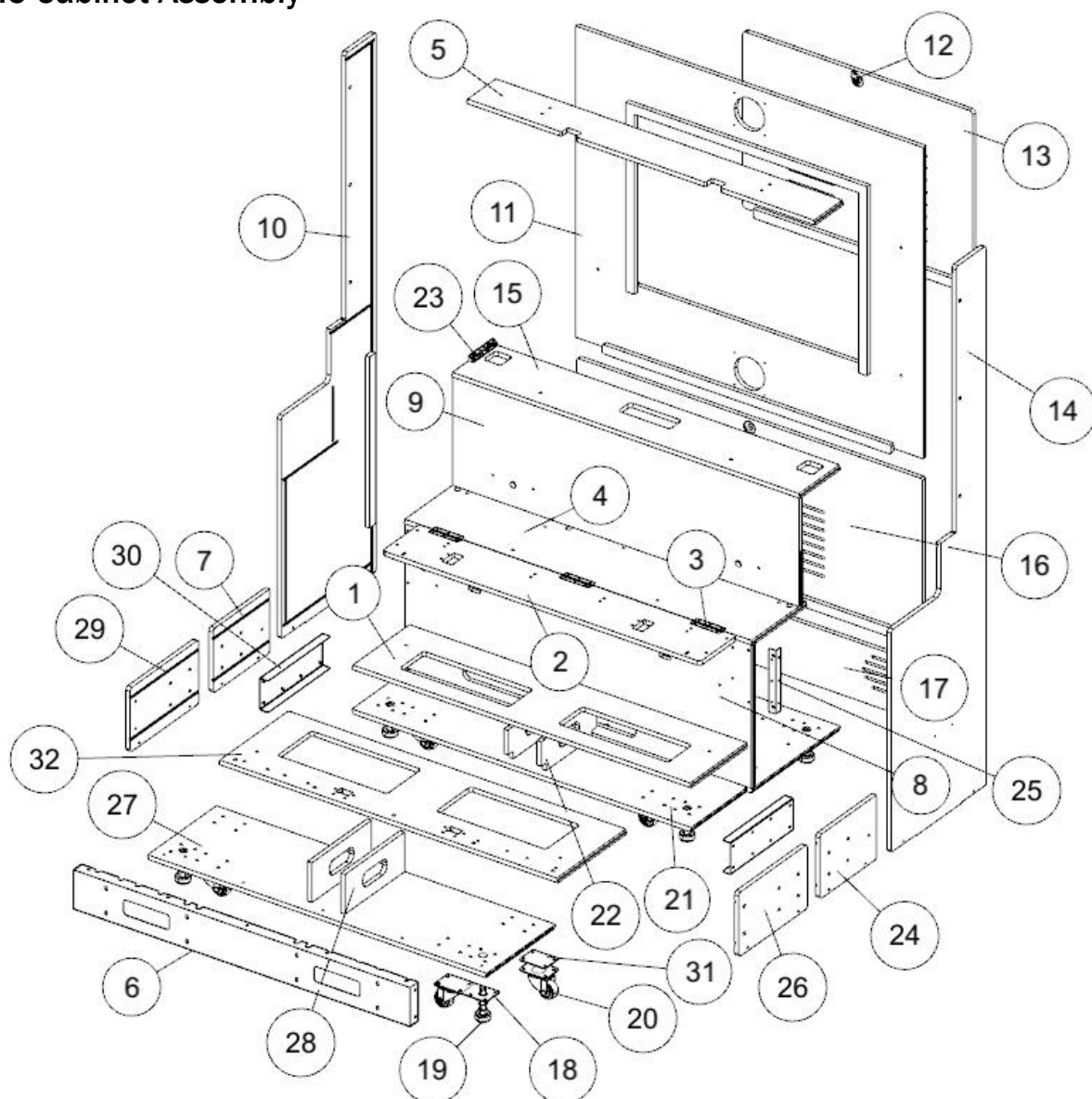
No.	Part No.	Code No.	Name	Version	Qty
1	W122-0702-00	205.4.2170.003/1	L Andy board	1.1	1
2	W122-0703-00	205.4.2170.005/1	Boat plastic	1.1	1
3	W122-0704-00	205.4.2170.006/1	Water drop PVC	1.1	1
4	W122-0705-00	205.4.2170.004/1	R Andy board	1.1	1
5	W122-0706-00	201.08.04.4008	Isolation column	1.1	16
6	W122-0707-00	202.4.2170.027	R marquee bracket	1.1	2
7	W122-0708-00	202.4.2170.022	L marquee bracket	1.1	2

9.5 Cloth Assembly



No.	Part No.	Code No.	Name	Version	Qty
1	W122-0302-00	202.4.2170.023	Cloth fixing bracket(near monitor cabinet)	1.1	1
2	W122-0303-00	202.4.2170.025	Cloth fixing plate(near monitor cabinet)	1.1	1
3	W122-0304-01	205.4.2170.007/2	Cloth	1.1	1
4	W122-0305-00	202.4.2170.024	Cloth fixing bracket(near control panel)	1.1	1
5	W122-0306-00	202.4.2170.026	Cloth fixing plate(near control panel)	1.1	1
6	W122-0307-00	202.4.2170.037	Cloth bracket C	1.1	1
7	W122-0308-00	202.4.2170.038	Cloth fixing plate C	1.1	1

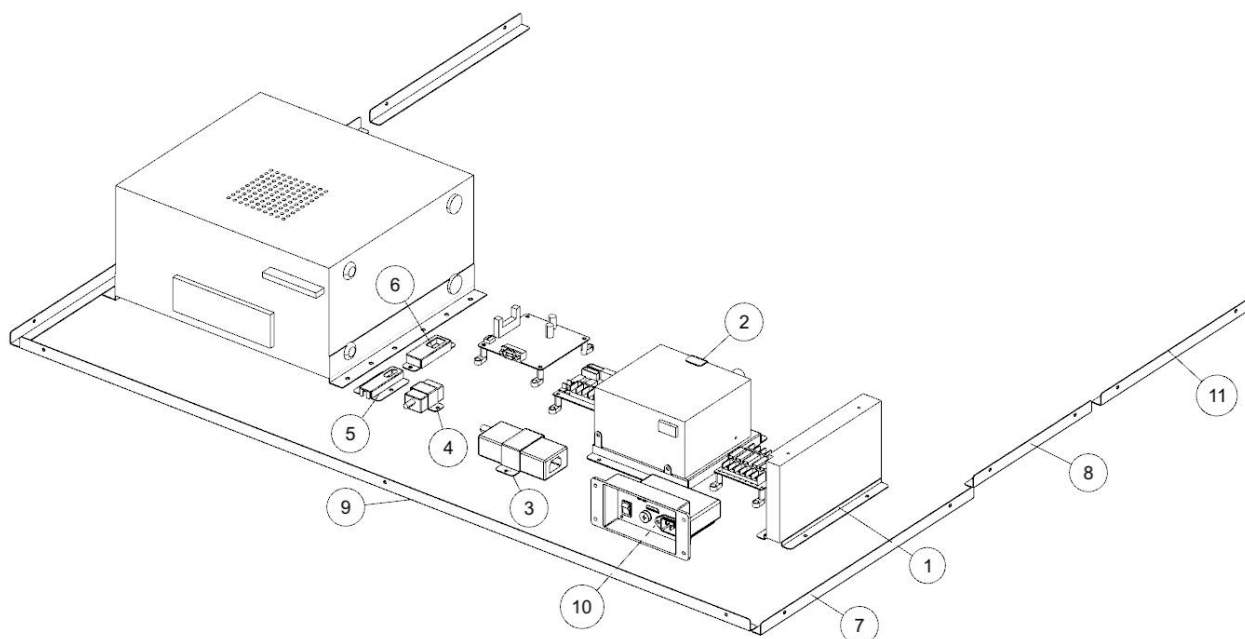
9.6 Cabinet Assembly



No.	Part No.	Code No.	Name	Version	Qty
1	W122-0902-01	203.4.2170.035	Cloth bottom board	1.1	1
2	W122-0903-02	203.4.2170.044	Wiring box mounting plate	1.2	1
3	W122-0508-00	2.63.00.000001	4" hinge	1.1	3
4	W122-0904-00	203.4.2170.016	Speaker bottom board	1.1	1
5	W122-0905-00	203.4.2170.018	Top board	1.1	1
6	W122-0906-00	202.4.2170.006	Front bottom board	1.1	1
7	W122-0907-01	203.4.2170.033	Front L side board	1.1	1
8	W122-0908-00	203.4.2170.012	Bottom vertical board	1.1	1
9	W122-0909-00	203.4.2170.017	Upper vertical board	1.1	1
10	W122-0910-00	203.4.2170.009	L side board	1.1	1
11	W122-0911-00	203.4.2170.019	Monitor back board	1.1	1
12	W122-0515-00	2.53.00171001	171A lock	1.1	1
13	W122-0912-00	203.4.2170.021	Back upper door	1.1	1
14	W122-0913-00	203.4.2170.010	R side door	1.1	1

No.	Part No.	Code No.	Name	Version	Qty
15	W122-0914-00	203.4.2170.015	Monitor support board	1.1	1
16	W122-0915-01	203.4.2170.043	Back bottom door	1.1	1
17	W122-0916-00	203.4.2170.011	Back base board	1.1	1
18	W122-0917-00	2.60.00010000	Caster plate	1.1	6
19	W122-0512-00	2.60.00008000	Leveller	1.1	6
20	W122-0511-00	2.55.01.000047	2.5" caster	1.1	8
21	W122-0919-01	203.4.2170.032	Base board	1.1	1
22	W122-0920-01	203.4.2170.036	Front support board	1.1	2
23	W122-0516-00	2.60.00067000	Corner	1.1	85
24	W122-0921-01	203.4.2170.034	Front R side board	1.1	1
25	W122-0923-00	202.4.2170.036	Side strengthen board	1.1	2
26	W122-0926-00	203.4.2170.040	Front R board	1.1	1
27	W122-0924-00	203.4.2170.038	Front base board	1.1	1
28	W122-0928-00	203.4.2170.042	Front mid board	1.1	2
29	W122-0925-00	203.4.2170.039	Front L board	1.1	1
30	W122-0929-00	202.4.2170.040	Connect board	1.1	2
31	W122-0931-00	202.4.2142.001	Caster base board	1.1	2
32	W122-0927-00	203.4.2170.041	Front upper board	1.1	1

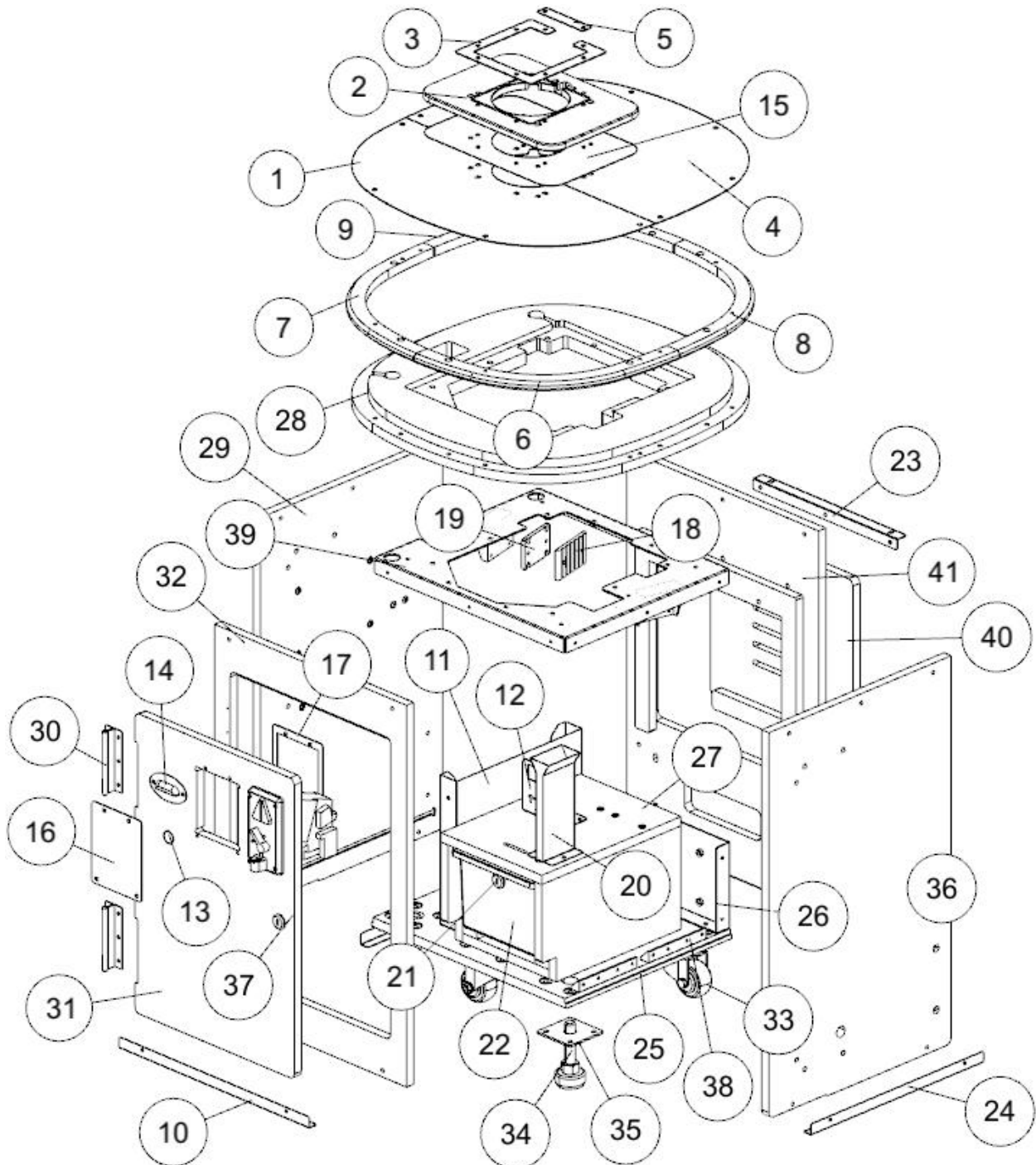
9.7 Cabinet Bottom Electrical Assembly



No.	Part No.	Code No.	Name	Version	Qty
1	W122-0402-00	202.4.2002.045	Power supply fixing plate(S)	1.1	1
2	W122-0403-00	2.60.00061000	Power supply fixing plate(L)	1.1	1
3	W122-0404-00	202.4.2002.044	Adapter fixing plate	1.1	1
4	W122-0405-00	202.1.1707.041	Audio isolator fixing plate	1.1	1
5	W122-0406-00	2.60.00055000	Dongle plate	1.1	1
6	W122-0407-00	2.60.00064000	Recovery stick plate	1.1	1

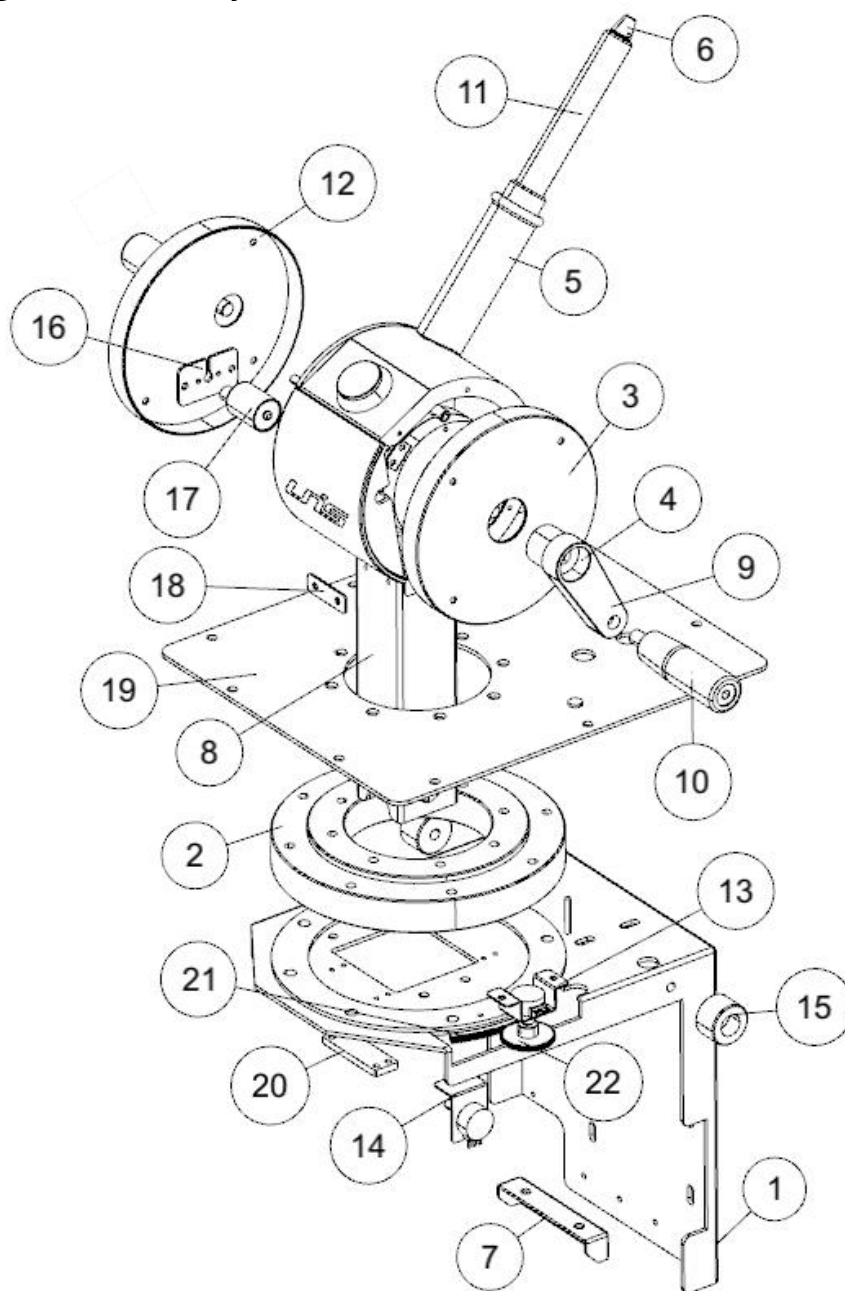
No.	Part No.	Code No.	Name	Version	Qty
7	W122-0408-00	202.4.2170.014	Side back protect plate	1.1	2
8	W122-0409-01	202.4.2170.039	Side front protect plate	1.1	2
9	W122-0410-00	202.4.2170.013	Back protect plate	1.1	1
10	W122-0411-00	2.60.00042000B	Wiring socket box	1.1	1
11	W122-0930-00	202.4.2170.041	Side front protect plate B	1.1	2

9.8 Control Panel Assembly



No.	Part No.	Code No.	Name	Version	Qty
1	W122-0102-00	202.4.2142.013	Ctrl. panel bottom plate	1.1	1
2	W122-0103-00	205.4.2142A.009	Ctrl. panel upper light plastic	1.1	1
3	W122-0104-00	202.4.2142.015	Rubber fixing plate	1.1	1
4	W122-0105-00	202.4.2142.012	Ctrl. panel upper plate	1.1	1
5	W122-0106-00	202.4.2142.016	Blanking plate	1.1	1
6	W122-0107-00	206.4.2142.003	Ctrl. panel light plastic A	1.1	1
7	W122-0108-00	206.4.2142.004	Ctrl. panel light plastic B	1.1	2
8	W122-0109-00	206.4.2142.005	Ctrl. panel light plastic C	1.1	2
9	W122-0110-00	206.4.2142.006	Ctrl. panel light plastic D	1.1	1
10	W122-0111-00	202.4.2142.010	Front&back protective plate	1.1	2
11	W122-0112-00	2.60.00006000	Ticket box	1.1	1
12	W122-0113-00	2.60.00044000	Counter bracket	1.1	1
13	W122-0114-00	2.60.00065000	Out of ticket light cover	1.1	1
14	W122-0115-00	2.60.00051000	Ticket cover	1.1	1
15	W122-0116-00	206.4.2142.007	Reflection PVC	1.1	1
16	W122-0117-00	202.4.2002.028	DBV cover	1.1	1
17	W122-0118-00	202.4.2002.029	DBV plate	1.1	1
18	W122-0119-00	206.4.2142.021	Buffer pad	1.1	2
19	W122-0121-00	206.4.2142.008	Limited pad B	1.1	2
20	W122-0122-00	202.4.2002.030	Coin chute	1.1	1
21	W122-0123-00	2.53.00172001	171B lock	1.1	1
22	W122-0124-00	2.60.00068000	Coin inner box	1.1	1
23	W122-0125-00	202.4.2170.035	Back plate	1.1	1
24	W122-0126-00	202.4.2142.011	L&R protective plate	1.1	2
25	W122-0502-00	203.4.2170.004	Ctrl. panel base board	1.1	1
26	W122-0503-00	202.4.2142.008	Back strengthen plate	1.1	1
27	W122-0504-00	203.4.2170.005	Coin outer box	1.1	1
28	W122-0505-00	203.4.2170.027	Ctrl. panel top board	1.1	1
29	W122-0507-00	203.4.2170.023	Ctrl. panel L side board	1.1	1
30	W122-0508-00	2.63.00.000001	4" hinge	1.1	2
31	W122-0509-00	203.4.2170.028	Ctrl. panel front door	1.1	1
32	W122-0510-00	203.4.2170.026	Ctrl. panel front board	1.1	1
33	W122-0511-00	2.55.01.000047	2.5"caster	1.1	3
34	W122-0512-00	2.60.00008000	2" leveller	1.1	3
35	W122-0513-00	202.4.2002.026	Caster plate	1.1	3
36	W122-0514-00	203.4.2170.024	Ctrl. panel R side board	1.1	1
37	W122-0515-00	2.53.00171001	171A lock	1.1	1
38	W122-0516-00	2.60.00067000	Corner	1.1	16
39	W122-0517-00	202.4.2142.009	Upper strengthen plate	1.1	1
40	W122-0518-00	203.4.2170.029	Ctrl. panel back door	1.1	1
41	W122-0519-00	203.4.2170.025	Ctrl. panel back board	1.1	1

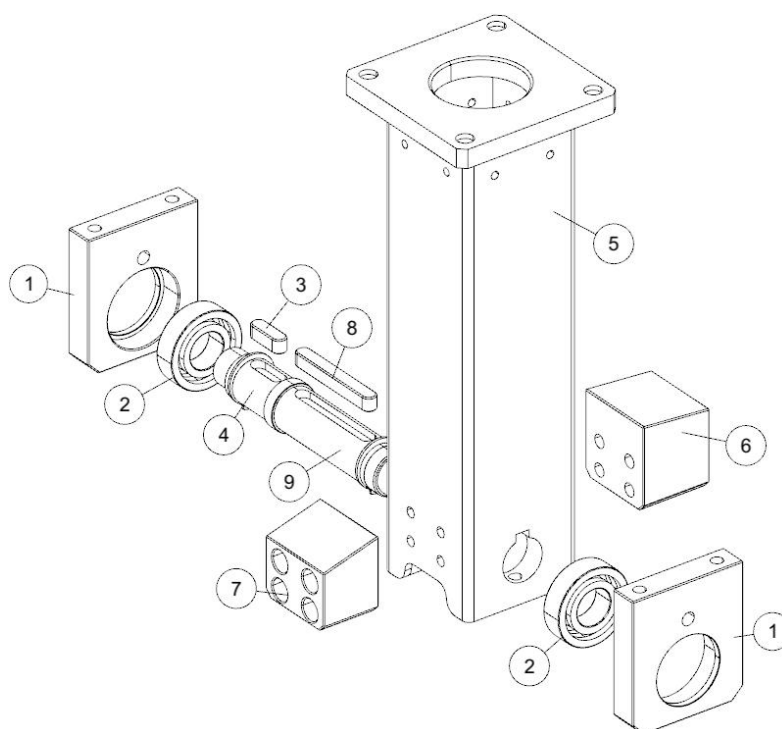
9.9 Fishing Rod Assembly



No.	Part No.	Code No.	Name	Version	Qty
1	W122-0202-01	202.4.2142.122	Fishing base plate	1.1	1
2	W122-0203-00	201.06.16.0005	Toothless slewing bearing	1.1	1
3	W122-0214-00	202.4.2142.054	R cover plate	1.1	1
4	W122-0215-00	2.51.00.080028	Hole cover ABS	1.1	1
5	W122-0216-00	206.4.2142.011	Gum cover	1.1	1
6	W122-0218-00	202.4.2142.053	Rod cover	1.1	1
7	W122-0219-00	202.4.2142.051	Tension plate	1.1	1
8	W122-0234-00	206.4.2142.012	Leather	1.1	1
9	W122-0235-00	202.4.2142.057	Swing arm	1.1	1
10	W122-0249-00	206.4.11.22.005	Rotation handle	1.1	1
11	W122-0250-00	202.4.2142.052	Fishing rod plate	1.1	1

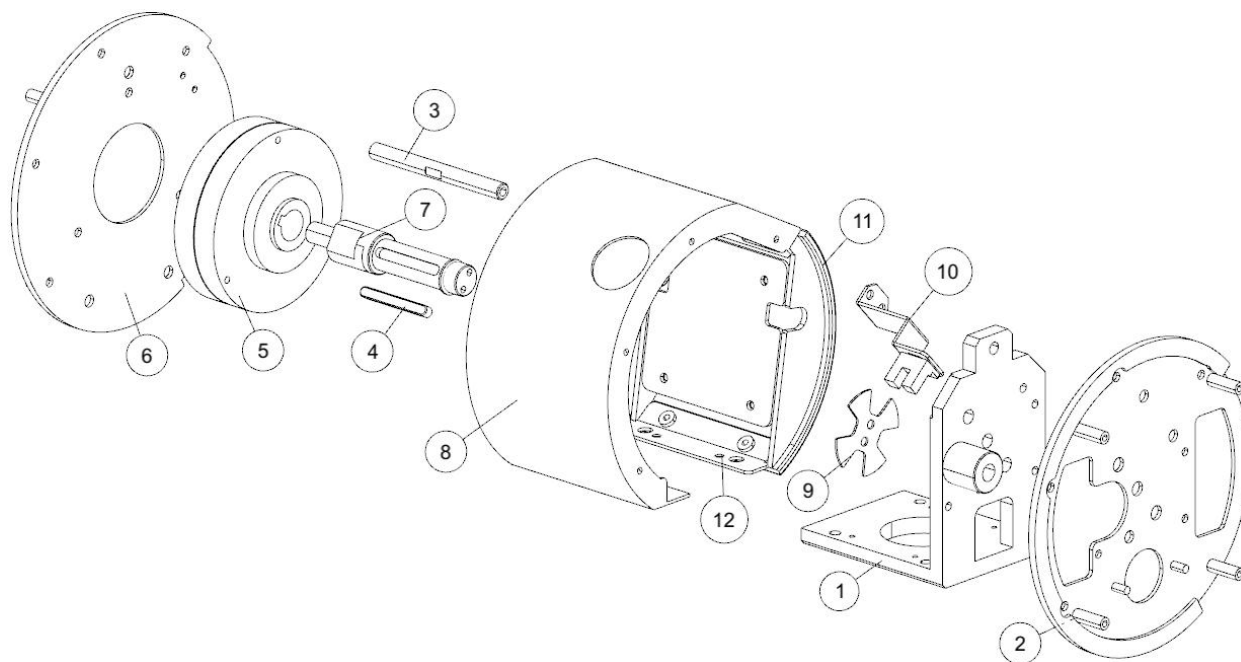
No.	Part No.	Code No.	Name	Version	Qty
12	W122-0251-00	202.4.2142.055	L cover plate	1.1	1
13	W122-0252-00	202.4.2142.061	POT mounting plate B	1.1	1
14	W122-0253-00	202.4.2142.050	POT mounting plate A	1.1	1
15	W122-0254-00	206.4.2142.019	Anti-shake pad	1.2	2
16	W122-0255-00	202.4.2142.056	Shaking motor plate	1.1	1
17	W122-0256-00	2.34.04.000246	DC motor	1.1	1
18	W122-0257-00	202.4.2142.058	Leather small pressing plate	1.1	4
19	W122-0258-00	202.4.2142.043	Rotation plate	1.1	1
20	W122-0259-00	206.4.2142.010	Limited pad A	1.1	2
21	W122-0260-00	202.4.2142.060	Large gear	1.1	1
22	W122-0261-00	202.4.2142.062	Small gear	1.1	1

9.10 Fishing Rod Swing assembly



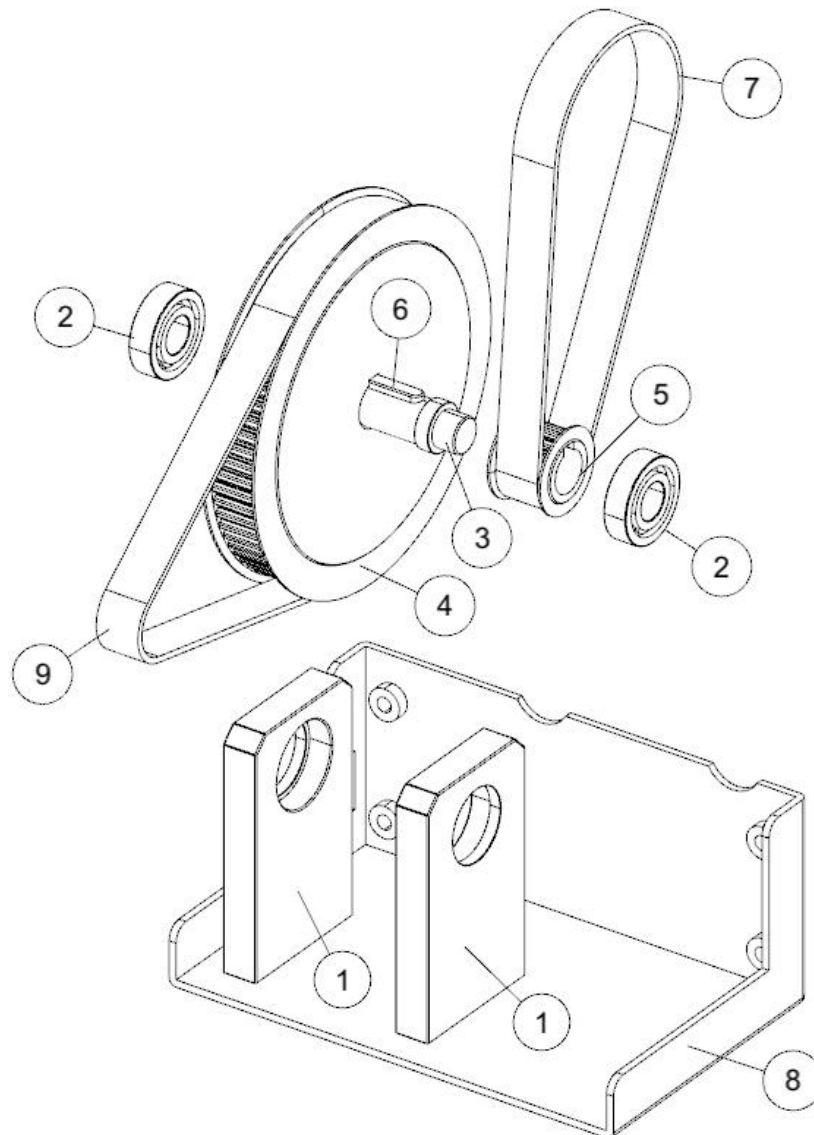
No.	Part No.	Code No.	Name	Version	Qty
1	W122-0205-01	202.4.2142.123	Bearing plate A	1.1	2
2	W122-0206-00	201.06.000082	Deep groove ball bearing	1.1	2
3	W122-0207-00	202.4.2142.023	Flat key B	1.1	1
4	W122-0208-00	202.4.2142.113	Driven wheel	1.1	1
5	W122-0209-01	202.4.2142.019	Swing arm plate	1.2	1
6	W122-0210-00	202.4.2142.025	Back limit plate	1.1	1
7	W122-0211-00	202.4.2142.024	Front limit plate	1.1	1
8	W122-0212-00	202.4.2142.022	Flat key A	1.1	1
9	W122-0213-00	202.4.2142.018	Swing arm axle	1.1	1

9.11 Fishing Rod Clutch Assembly



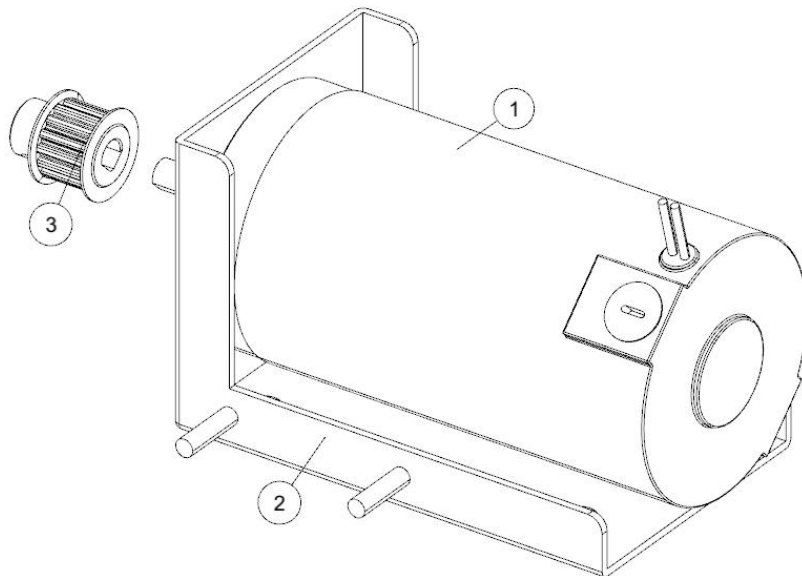
No.	Part No.	Code No.	Name	Version	Qty
1	W122-0237-00	202.4.2142.033	Fishing rod mounting plate	1.1	1
2	W122-0238-00	202.4.2142.040	L side mounting plate	1.1	1
3	W122-0239-00	202.4.2142.038	Support rod	1.1	1
4	W122-0240-00	202.4.2142.039	Flat key C	1.1	1
5	W122-0241-00	2.34.13.000002A	Magnetic powder brake	1.1	1
6	W122-0242-00	202.4.2142.034	Clutch mounting plate	1.1	1
7	W122-0243-01	202.4.2142.119	Magnetic powder brake axle	1.1	1
8	W122-0244-00	202.4.2142.042	Back fence plate	1.1	1
9	W122-0245-00	202.4.2142.036	Coder plate	1.1	1
10	W122-0246-00	202.4.2142.037	Sensor mounting plate	1.1	1
11	W122-0247-00	202.4.1915.024	Side light cover PC	1.1	1
12	W122-0248-01	202.4.2142.124	Bottom fence plate	1.1	1

9.12 Fishing Rod Rolling Wheel Assembly



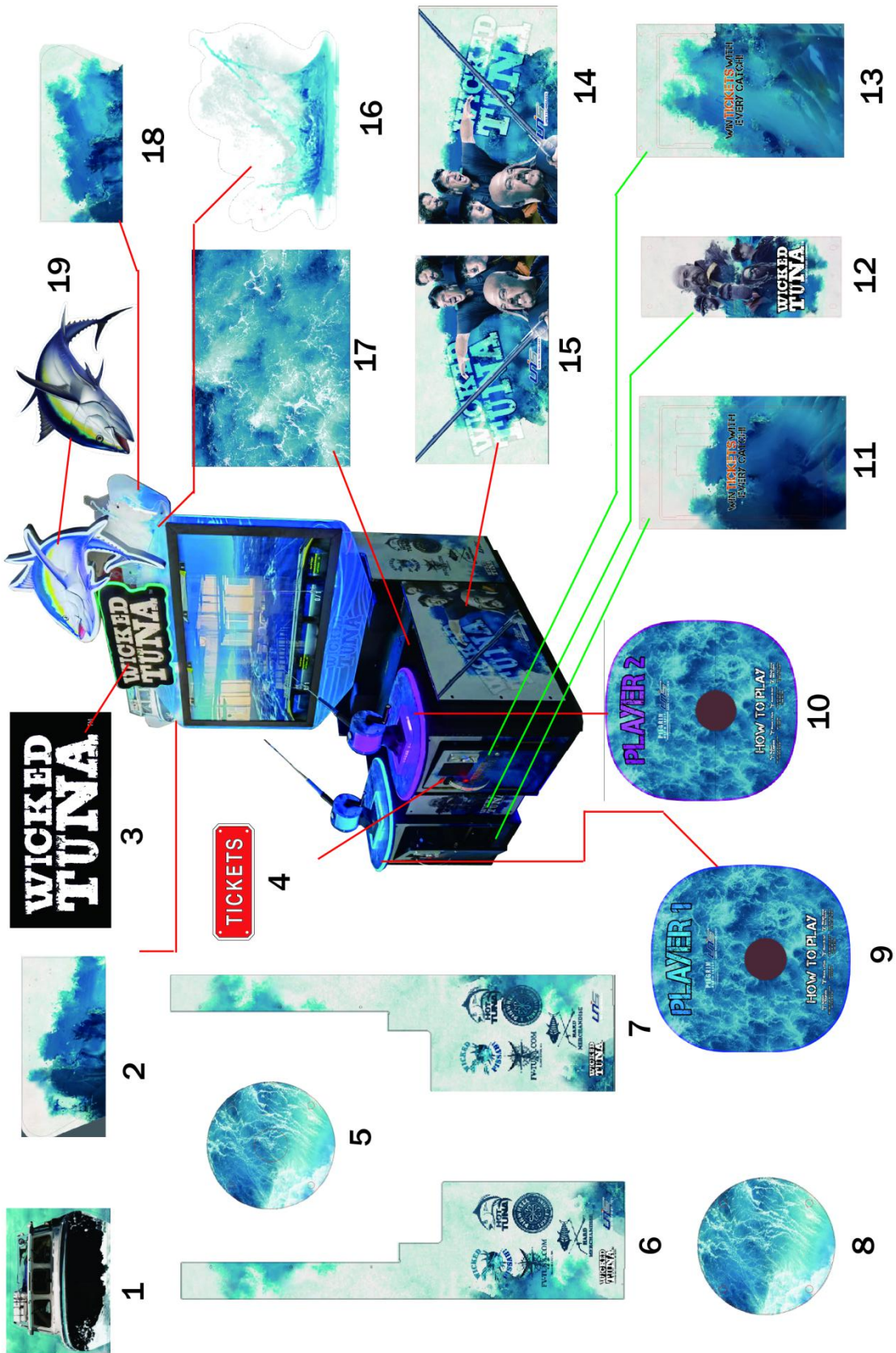
No.	Part No.	Code No.	Name	Version	Qty
1	W122-0225-00	202.4.2142.027	Bearing plate B	1.1	2
2	W122-0226-00	201.06.000083	Deep groove ball bearing	1.1	2
3	W122-0227-00	202.4.2142.028	Transit axle	1.1	1
4	W122-0228-00	202.4.2142.029	Transit large wheel	1.1	1
5	W122-0229-00	202.4.2142.112	Transit small wheel	1.1	1
6	W122-0230-00	202.4.2142.095	Flat key D	1.1	1
7	W122-0231-00	2.65.04.000132	Synchronous belt	1.1	1
8	W122-0232-00	202.4.2142.026	Transit base plate	1.1	1
9	W122-0233-00	2.65.04.000008	Synchronous belt	1.1	1

9.13 Fishing Rod Motor Assembly



No.	Part No.	Code No.	Name	Version	Qty
1	W122-0221-00	2.34.04.000249	DC motor	1.1	1
2	W122-0222-00	202.4.2142.031	Motor plate	1.1	1
3	W122-0223-00	202.4.2142.032	Driving wheel	1.1	1

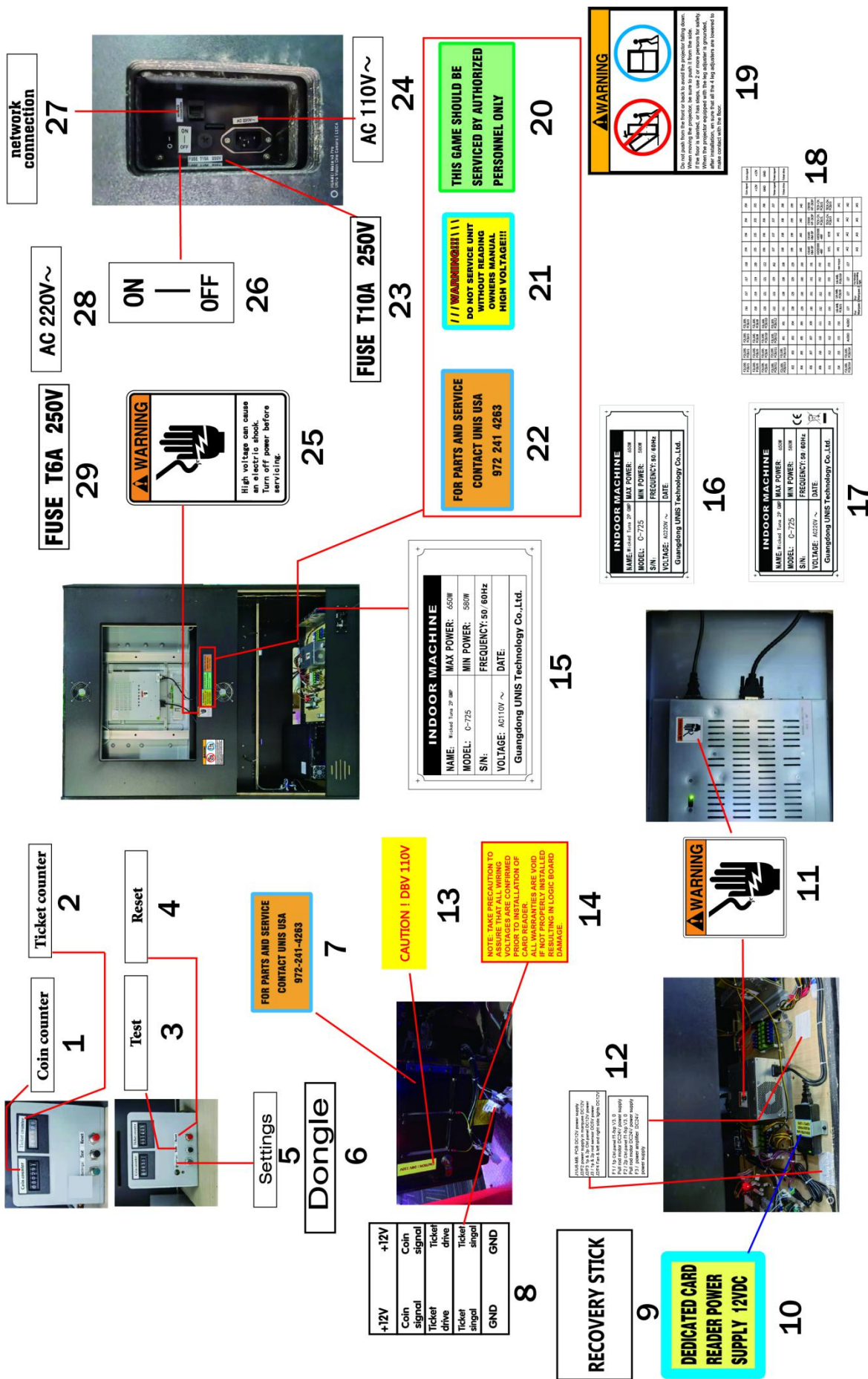
9.14 Decal Part



No.	Part No.	Code No.	Name	Version	Qty
1	W122-0703-00	205.4.2170.005/1	Boat plastic	1.1	1
2	W122-0702-00	205.4.2170.003/1	L Andy board	1.1	1
3	W122-0804-01	205.4.2170.001/2	LOGO marquee plastic	1.1	1
4	W122-1241-00	2.56.00.000034A	Ticket decal	1.1	2
5	W122-1219-00	205.4.2142A.021	R side rotation PVC	1.1	2
6	W122-1231-00	205.4.2170.012/1	L back side PVC	1.1	1
7	W122-1229-00	205.4.2170.010/1	R back side PVC	1.1	1
8	W122-1220-00	205.4.2142A.036	L side rotation PVC	1.1	2
9	W122-1232-00	205.4.2170.013/1	Ctrl. panel 1P decal	1.1	1
10	W122-1233-00	205.4.2170.014/1	Ctrl. panel 2P decal	1.1	1
11	W122-1234-00	205.4.2170.015/1	Ctrl. panel 1P door decal	1.1	1
12	W122-1227-00	205.4.2170.008/1	Character PVC	1.1	1
13	W122-1235-00	205.4.2170.016/1	Ctrl. panel 2P door decal	1.1	1
14	W122-1230-00	205.4.2170.011/1	L side PVC	1.1	1
15	W122-1228-00	205.4.2170.009/1	R side PVC	1.1	1
16	W122-0704-00	205.4.2170.006/1	Water drop PVC	1.1	1
17	W122-0304-00	205.4.2170.007/1	Cloth	1.1	1
18	W122-0705-00	205.4.2170.004/1	R Andy board	1.1	1
19	W122-0008-00	205.4.2170.002/1	Fish marquee	1.1	1

F2L100. PCB/J1	F2L100. PCB/J1	F2L100. PCB/J3	F2L100. PCB/J3	J16	J17	J17	J18	J34	J34	J34	J34	Coin signal	Coin signal
F2L100. PCB/J5	F2L100. PCB/J5	F2L100. PCB/J8	F2L100. PCB/J8	J18	J19	J19	J20	J35	J35	J35	J35	+12V	+12V
F2L100. PCB/J6	F2L100. PCB/J6	F2L100. PCB/J10	F2L100. PCB/J10	J20	J21	J21	J22	J36	J36	J36	J36	GND	GND
F2L100. PCB/J11	F2L100. PCB/J11	F2L100. PCB/J12	F2L100. PCB/J12	J22	J23	J23	J02	J37	J37	J37	J37	Ticket signal	Ticket signal
F2L100. PCB/J13	F2L100. PCB/J13	J01	J01	J31	J28	J28	J28	J38	J38	J38	J38	Ticket drive	Ticket drive
J02	J03	J03	J04	J28	J29	J29	J29	J39	J39	J39	J39		
J04	J05	J05	J06	J29	J30	J30	J30	J40	J40	J40	J40		
J06	J07	J07	J09	J30	J31	J31	J31	C4140 HM-9P	C4140 HM-9P	C5030 HF-3X3P	C5030 HF-3X3P		
J09	J10	J10	J11	J32	J32	J32	J32	HX50300 -4RF	HX50300 -4RF	TICK-CH. PCB/J1	TICK-CH. PCB/J1		
J11	J12	J12	J14	J33	J33	J33	J33	OUTL	OUTR	TICK-CH. PCB/J3	TICK-CH. PCB/J3		
J14	J15	J15	J16	U6-MB. PCB/J1	U6-MB. PCB/J8	U6-MB. PCB/J9	HW-713/J2	J41	J41	J41	J41		
F2L100. PCB/J14	F2L100. PCB/J14	AUDIO	AUDIO	J27	J27	J27	J27	J42	J42	J42	J42		
Fish marquee 5A FUSE				For Marquee 1	For Marquee 2	For Monitor surrounding light		J43	J43	J43	J43		
								ESD.PCBJ1	ESD.PCBJ1	ESD.PCBJ2	ESD.PCBJ2		

No.	Part No.	Code No.	Name	Version	Qty
1	W122-1238-01	205.4.2170.019/2	Wiring decal	1.1	1

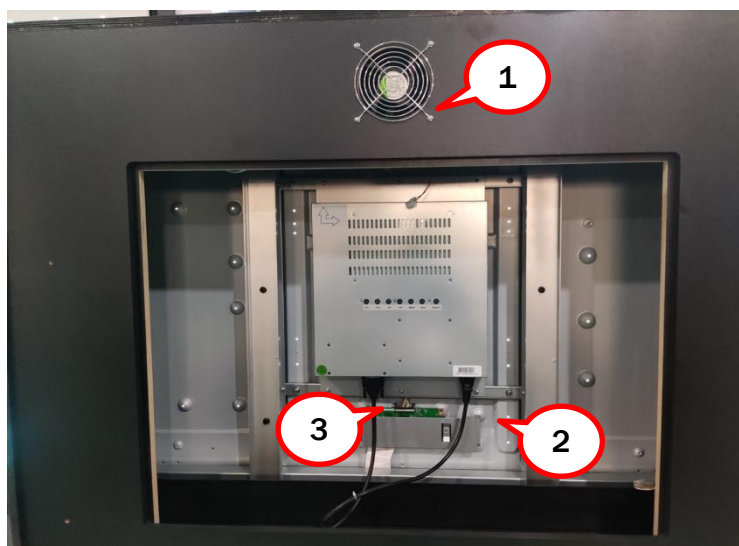


No.	Part No.	Code No.	Name	Version	Qty
1	W122-1221-00	2.56.00.000001	Coin counter	1.1	2
2	W122-1222-00	2.56.00.000002	Ticket counter	1.1	2
3	W122-1224-00	2.56.00.000009	Test button decal	1.1	2
4	W122-1223-00	2.56.00.000006	Reset button decal	1.1	2
5	W122-1225-00	2.56.00.000092	Settings button decal	1.1	2
6	W122-1216-00	2.56.00.000093	Dongle decal	1.1	1
7	W122-1218-00	2.56.00.000096	Service decal(S)	1.1	2
8	W122-1203-00	205.1.1707H.016	AAMA wiring decal	1.1	2
9	W122-1206-00	2.56.00.000116	Recovery stick decal	1.1	1
10	W122-1205-00	205.1.1605A.040	Adapter decal	1.1	1
11	W122-1209-00	2.56.00.000036	High voltage label(S)	1.1	3
12	W122-1239-00	205.4.2170.020/1	Fuse instruction decal	1.1	1
13	W122-1207-00	2.56.00.000117	DBV decal	1.1	2
14	W122-1204-00	2.56.00.000120	AAMA warning decal	1.1	2
15	W122-1240-00	205.4.2170.016/2	110V nameplate	1.1	1
16	W122-1236-00	205.4.2170.017/1	220V nameplate	1.1	1
17	W122-1237-00	205.4.2170.018/1	220V nameplate(CE)	1.1	1
18	W122-1238-01	205.4.2170.019/2	Wiring decal	1.1	1
19	W122-1212-00	2.56.00.000060	Pushing warning decal	1.1	1
20	W122-1211-00	2.56.00.000042	Service decal(green)	1.1	1
21	W122-1213-00	2.56.00.000067	Service label(yellow)	1.1	1
22	W122-1217-00	2.56.00.000095	Service decal(L)	1.1	1
23	W122-1215-00	2.56.00.000077	Fuse(T10A) decal	1.1	1
24	W122-1214-00	2.56.00.000071	110V decal	1.1	1
25	W122-1210-00	2.56.00.000037	High voltage decal(L)	1.1	2
26	W122-1208-00	2.56.00.000017	Power SW decal	1.1	1
27	W122-1243-00	2.56.00.000097	Network label	1.1	1
28	W122-1226-00	2.56.00.000072	220V decal	1.1	1
29	W122-1242-00	25600000075	Fuse decal(T6A)	1.1	1

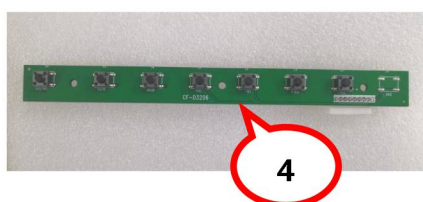
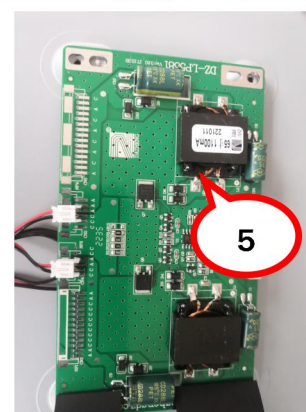
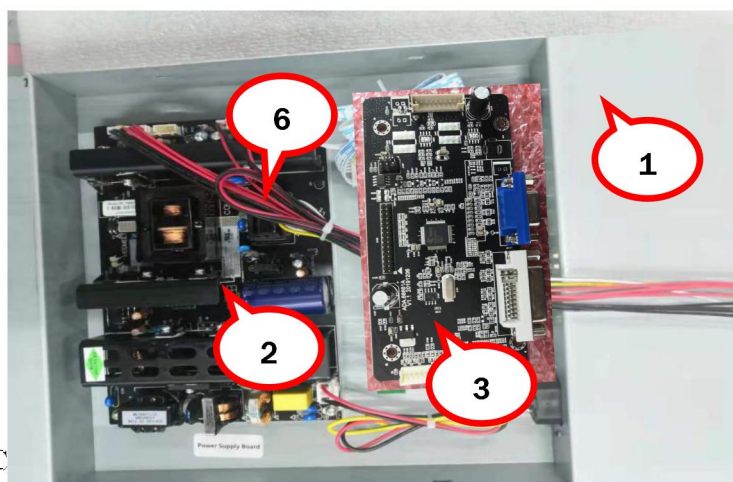
9.15 Electrical Component



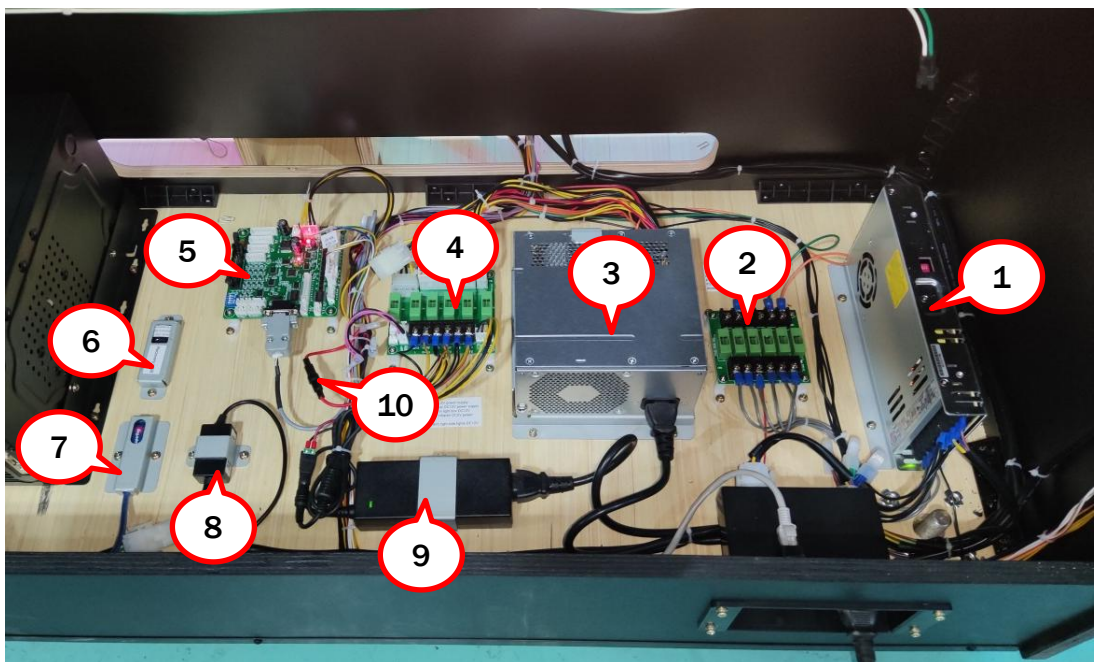
No.	Part No.	Code No.	Name	Version	Qty
1	W122-0008-00	205.4.2170.002/1	Fish marquee	1.1	1
2	W122-1135-00	2.20.02.020029	2835 white light strip	1.1	106.29in (2700mm)
	W122-1134-00	2.20.02.020031	5050 RGB light strip	1.1	82.67in (2100mm)
3	W122-1135-00	2.20.02.020029	2835 white light strip	1.1	47.44in (1205mm)
4	W122-1135-00	2.20.02.020029	2835 white light strip	1.1	42.71in (1085mm)
5	W122-1147-00	2.12.01065002G	65" monitor	1.1	1
6	W122-1134-00	2.20.02.020031	5050 RGB light strip	1.1	185.03in (4700mm)
7	W122-1122-00	2.28.06.010007	Speaker	1.1	2
8	W122-1134-00	2.20.02.020031	5050 RGB light strip	1.1	64.96in (1650mm)
9	W122-1134-00	2.20.02.020031	5050 RGB light strip	1.1	17.71in (450mm)
10	W122-1110-00	297.4.1915002	Rod light board	1.1	2
11	W122-1131-00	2.23.01000002	Coin mechanism	1.1	2
12	W122-1146-00	2.20.02.020061	2835 purple light strip	1.1	3.93×2in (100mm×2)



No.	Part No.	Code No.	Name	Version	Qty
1	W122-1132-00	2.27.02.000010	Fan net	1.1	2
	W122-1133-00	2.27.02.020006	Fan	1.1	1
2	W122-1136-00	2.33.01.018002	Power cord	1.1	1
3	W122-1111-00	2.33.07.050011	DP-DVI video cable	1.1	1



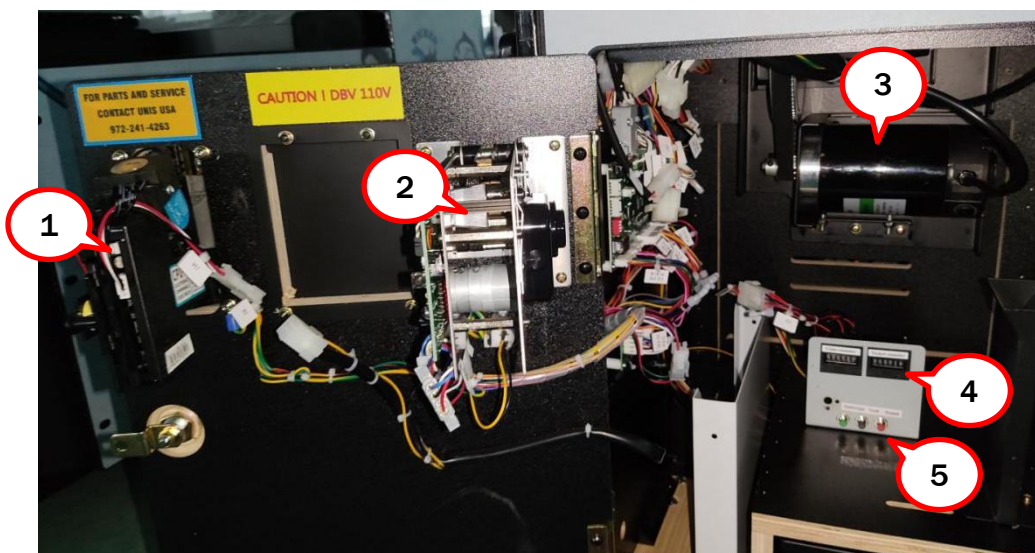
No.	Part No.	Code No.	Name	Version	Qty
1	W122-1165-00	2.16.02.000160	Chassis kit of 65" monitor	1.1	1
2	W122-1162-00	2.17.14.000261	Power board	1.1	1
3	W122-1161-00	2.17.03.010013	Driver board	1.1	1
4	W122-1164-00	2.17.13.000018	7-key board	1.1	1
5	W122-1163-00	2.17.14.000263	Converted board	1.1	1
6	W122-1166-00	2.33.09.000446	Cable set	1.1	1
7	W122-1167-00	2.17.14.000262	Logical board	1.1	1



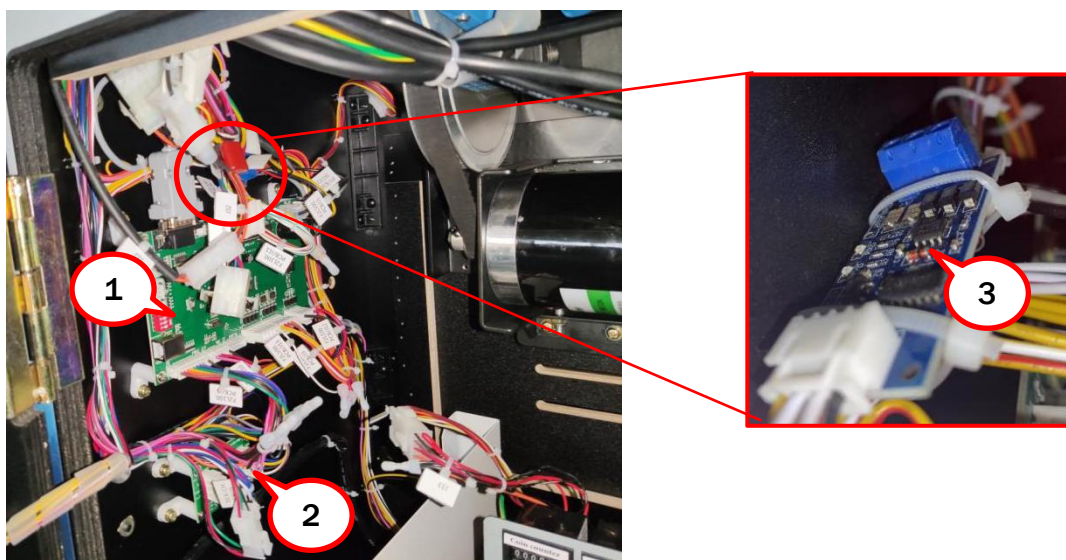
No.	Part No.	Code No.	Name	Version	Qty
1	W122-1141-00	2.16.02.000105	24V power supply	1.1	2
2	W122-1142-00	2.17.14.000243	Fuse board(24V)	1.1	1
3	W122-1140-00	2.16.02.000106	12V power supply	1.1	1
4	W122-1143-00	2.17.14.000244	Fuse board(12V)	1.1	1
5	W122-1139-00	297.9.0300007A	U6 mainboard	1.1	1
6	W122-1128-00	4.13.00000008	Recovery stick	1.1	1
7	W122-1148-00	2.11.09.000014	Dongle	1.1	1
8	W122-1138-00	2.28.07.000003	Audio isolator	1.1	1
9	W122-1105-00	2.16.03.000076	Adapter	1.1	1
10	W122-1149-00	2.19.01.000004A	Fuse(T5A)	1.1	1
	W122-1150-00	2.19.02.000024	Fuse holder	1.1	1



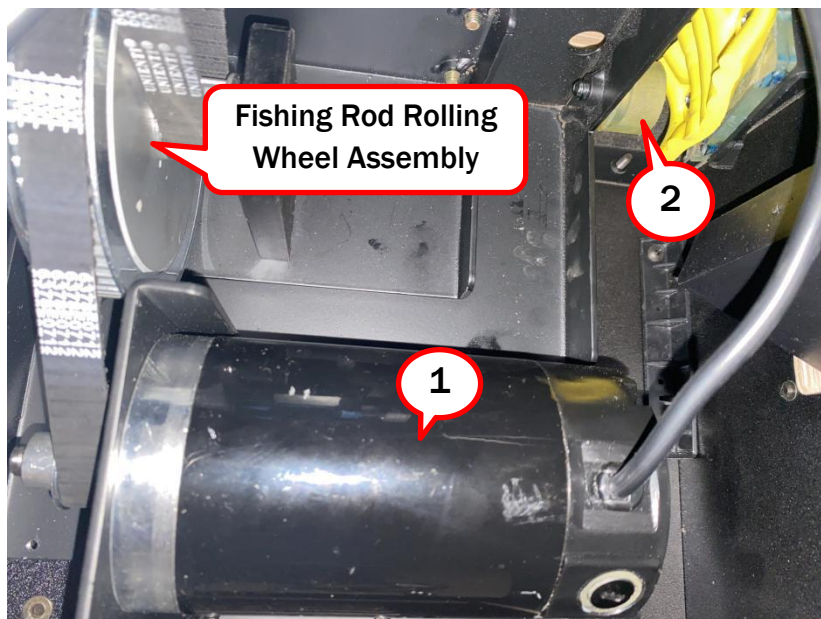
No.	Part No.	Code No.	Name	Version	Qty
1	W122-1145-00	2.28.03.010011	Amplifier	1.1	1
2	W122-1126-00	2.11.02000094	PC	1.1	1



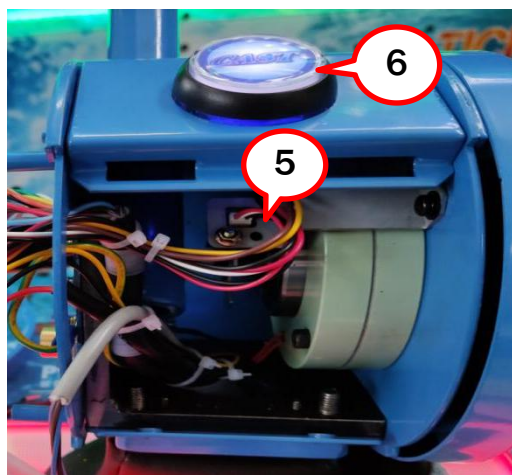
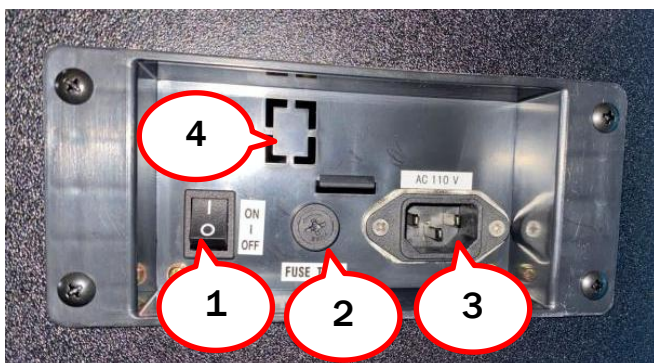
No.	Part No.	Code No.	Name	Version	Qty
1	W122-1131-00	2.23.01000002	Coin mechanism	1.1	2
2	W122-1130-00	2.31.00000005	Ticket dispenser	1.1	2
	W122-1129-00	2.20.03.000003	Out of ticket light	1.1	2
	W122-1152-00	2.22.01.000028	Light socket	1.1	2
3	W122-0221-00	2.34.04.000249	DC motor	1.1	2
4	W122-1112-00	2.30.00000006	Counter	1.1	4
5	W122-1107-00	2.24.02.010002	Button(red)	1.1	2
	W122-1108-00	2.24.02.030002	Button(green)	1.1	2
	W122-1109-00	2.24.02.050001	Button(black)	1.1	2



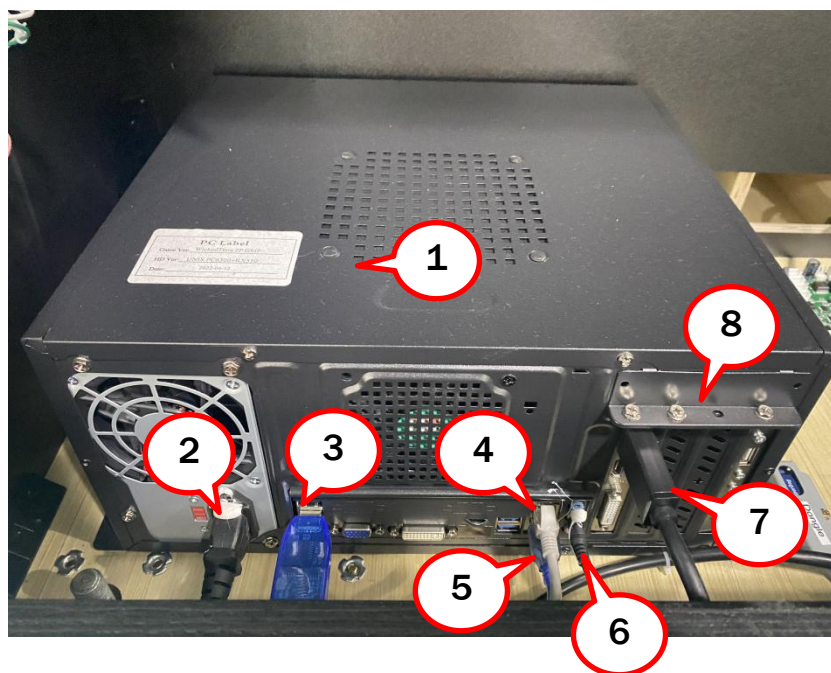
No.	Part No.	Code No.	Name	Version	Qty
1	W122-1114-00	2.17.14.000257	Forces Feedback System board	1.1	2
2	W122-1117-00	297.9.0700002	Ticket converted board	1.1	2
3	W122-1124-00	2.14.12.030004	TTL to 485 serial port(MK742)	1.1	2



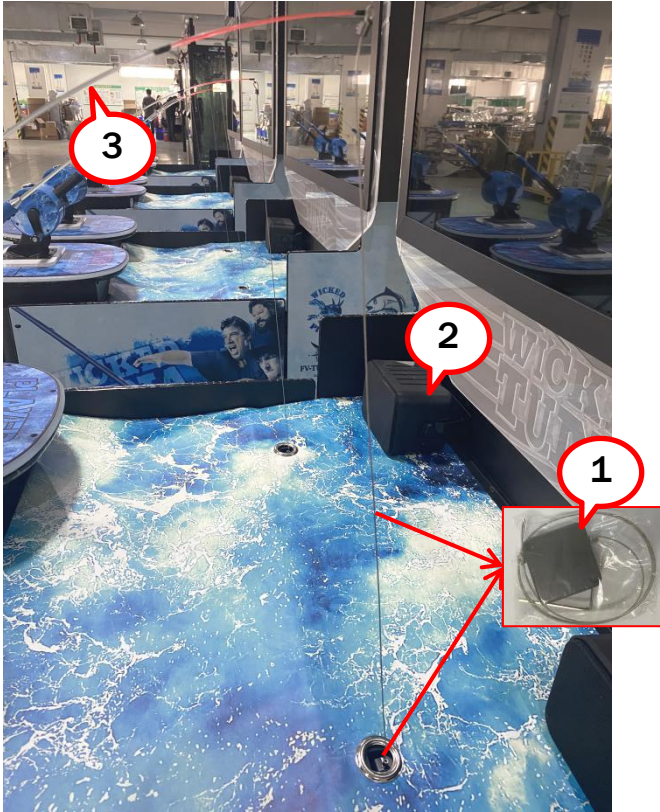
No.	Part No.	Code No.	Name	Version	Qty
1	W122-0221-00	2.34.04.000249	DC motor	1.1	1
2	W122-1118-00	2.25.01000030	POT	1.1	4



No.	Part No.	Code No.	Name	Version	Qty
1	W122-1104-00	2.26.01.000005	Rocket SW	1.1	1
2	W122-1102-00	2.19.02.000006	Fuse	1.1	1
3	W122-1103-00	2.32.01000001A	Filter	1.1	1
4	W122-1119-00	2.33.02.000001	Network port	1.1	1
	W122-1120-00	2.33.02.000013	Network cable	1.1	1
5	W122-1113-00	2.15.03.000054	Optoelectronic switch	1.1	2
6	W122-1115-00	2.24.02.000201	Button	1.1	2



No.	Part No.	Code No.	Name	Version	Qty
1	W122-1126-01	2.11.02000094A	PC	1.1	1
	W122-1153-01	2.11.07.220031	Mainboard	1.1	1
	W122-1154-01	2.11.07.190033	CPU	1.1	1
	W122-1155-01	2.11.07.070014	CPU fan	1.1	1
	W122-1156-00	2.66.01.090508	Hard disk	1.1	1
	W122-1157-00	2.11.07.030102	Video card	1.1	1
	W122-1158-00	2.11.07.170012	PC power supply	1.1	1
	W122-1159-00	2.66.01.120236	PC case	1.1	1
	W122-1160-00	2.66.01.120235	Fan	1.1	1
	W122-1168-00	2.11.07.090034	Memory	1.1	1
2	W122-1136-00	2.33.01.018002	Power cord	1.1	1
3	W122-1123-00	2.14.12.030003	TTL to 485 serial port(RS281)	1.1	1
4	W122-1120-00	2.33.02.000013	Network cable	1.1	1
5	W122-1116-00	2.33.04.000100	Extension cable	1.1	1
6	W122-1106-00	2.33.05.000004	Audio cable	1.1	1
7	W122-1111-00	2.33.07.050011	DP-DVI video cable	1.1	1
8	W122-1125-00	2.33.04.080016	USB blanking plate	1.1	1

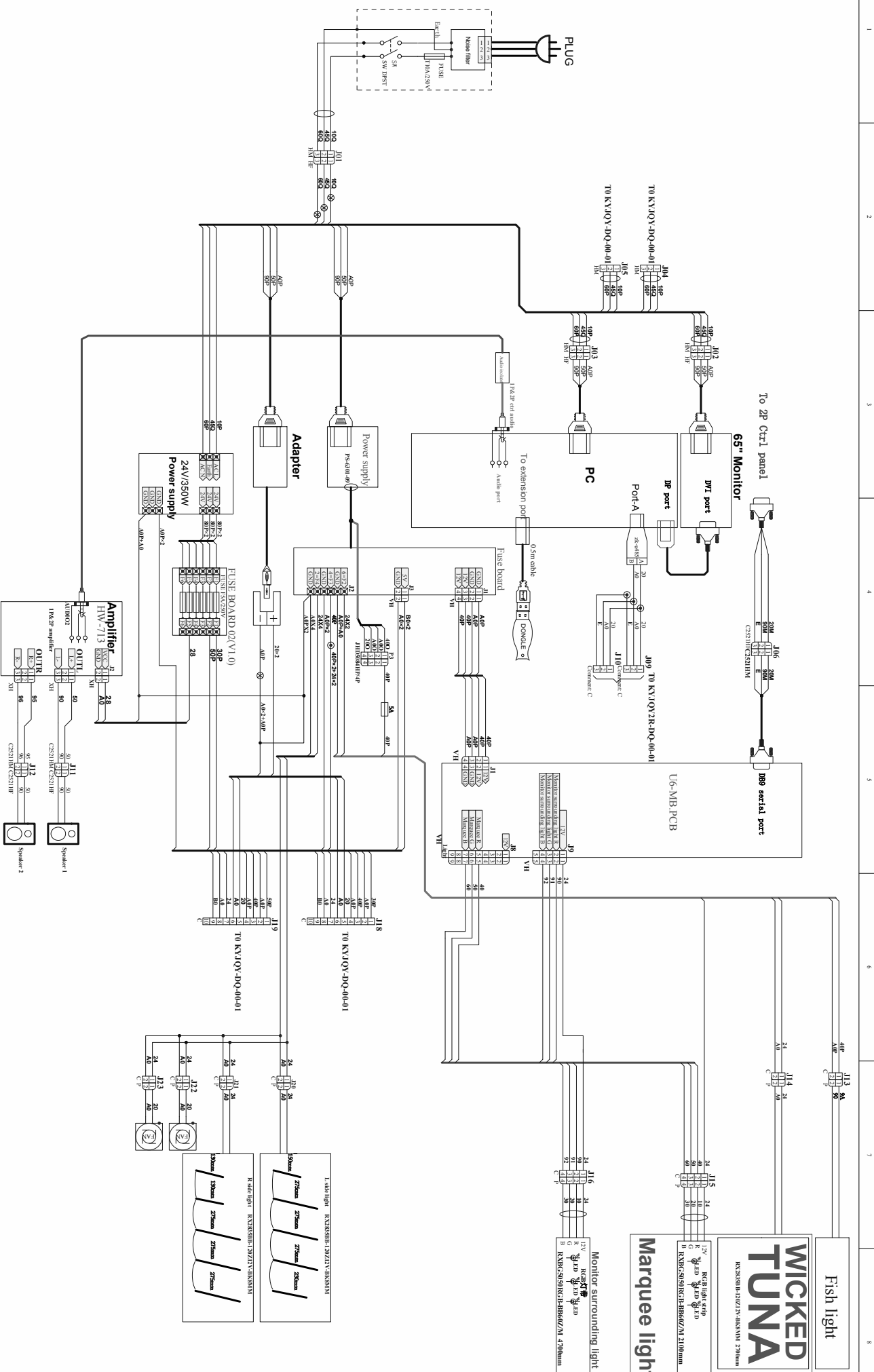


No.	Part No.	Code No.	Name	Version	Qty
1	W122-0005-00	2.51.08.070009	Wiring box	1.1	2
2	W122-1122-00	2.28.06.010007	Speaker	1.1	2
3	W122-0012-00	206.4.2002.026	Rod	1.1	2



No.	Part No.	Code No.	Name	Version	Qty
1	W122-1169-00	297.9.2205002	ESD board	1.1	2

www.unistechology.com



Note: Wire color and wire size is shown in code.

Color of the wire: 2H means red, 2B means blue

Temp: 2, 2.5, 3, 4, 5, 6, 7, 8, 9, 10, 11, 12, 13, 14, 15, 16, 17, 18, 19, 20, 21, 22, 23, 24, 25, 26, 27, 28, 29, 30, 31, 32, 33, 34, 35, 36, 37, 38, 39, 40, 41, 42, 43, 44, 45, 46, 47, 48, 49, 50, 51, 52, 53, 54, 55, 56, 57, 58, 59, 60, 61, 62, 63, 64, 65, 66, 67, 68, 69, 70, 71, 72, 73, 74, 75, 76, 77, 78, 79, 80, 81, 82, 83, 84, 85, 86, 87, 88, 89, 90, 91, 92, 93, 94, 95, 96, 97, 98, 99, 100

Size of the wire in mm: AWG24 (1.10), AWG22 (1.10), AWG20 (1.10), AWG18 (1.10), AWG16 (1.10), AWG14 (1.10), AWG12 (1.10), AWG10 (1.10), AWG8 (1.10), AWG6 (1.10), AWG4 (1.10), AWG2 (1.10), AWG0 (1.10)

Unit: mm

Scale: 1:1

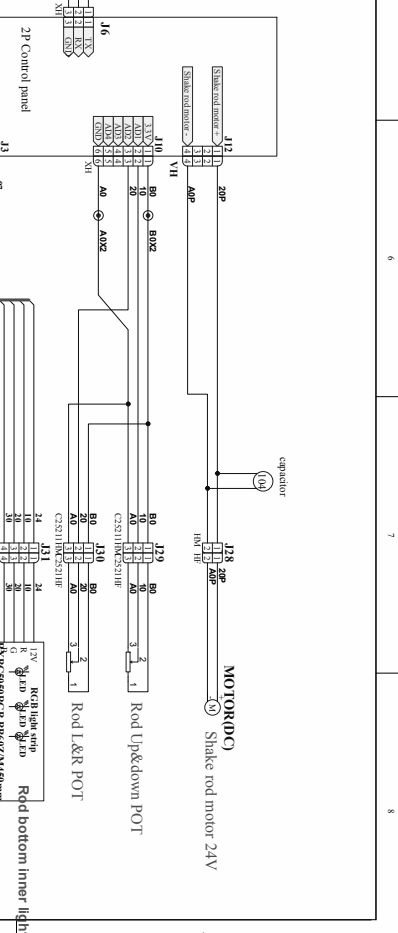
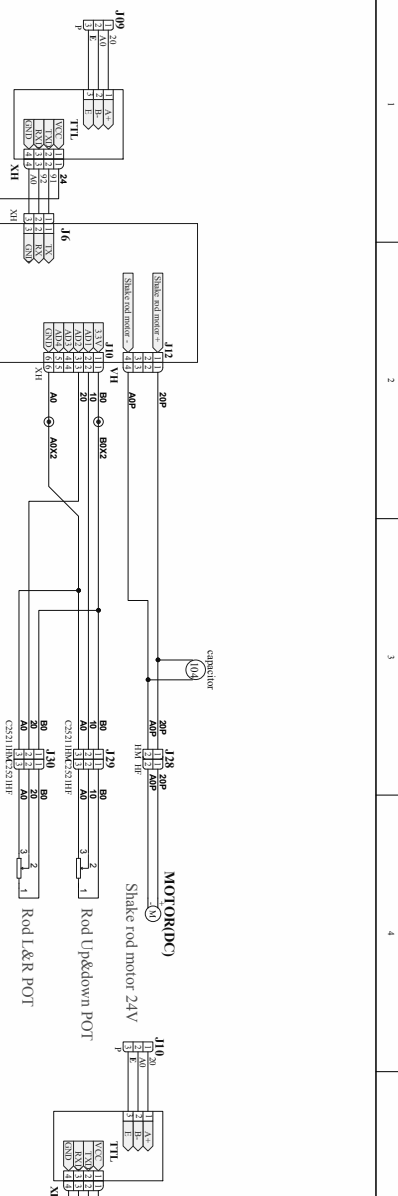
Wire color code: Wire size code: Wire size code: Tolerance

Wicked Tuna 2P GMP Wiring Diagram

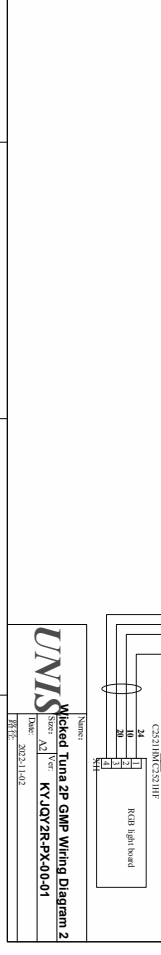
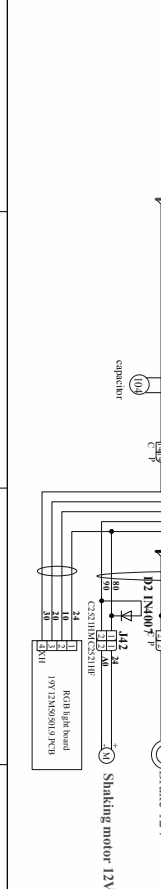
UNIS

Model: KYJQY-PX-00-00

Date: 2023.11.02



Wire color code	Wire size code	Tolerance
9	white	±0.1mm
8	blue	±0.1mm
7	black	±0.1mm
6	blue	±0.1mm
5	yellow	±0.1mm
4	yellow	±0.1mm
3	orange	±0.1mm
2	red	±0.1mm
1	brown	±0.1mm
0	black	±0.1mm



UNIS
Wicked Tuner 2P GMP Wiring Diagram 2
Ver: KYJQY-RP-PX-00-01
Date: 2022-11-02