

DUCK PARTY



IMPORTANT



Be Sure
to Read this
Manual
Before Use



UNIS TECHNOLOGY

Operation Manual

WE ARE HERE TO ASSIST For parts and service



Have Questions? Contact us!

UNIS SERVICE CENTER

Tel: 972-241-4263

Email: service@unispartsandservice.com

www.unispartsandservice.com

When contacting Service, you will need the following information
and the name of your authorized distributor.

INDOOR MACHINE	
NAME: Duck Party GMP	MAX POWER: 292W
MODEL: T-430	MIN POWER: 220W
S/N:	FREQUENCY: 50/60Hz
VOLTAGE: AC110V~	DATE:
Guangdong UNIS Technology Co.,Ltd.	

CONTENT

- IMPORTANT SAFETY INSTRUCTIONS 3
- 1. SPECIFICATIONS 5
- 2. CONTENTS OF THE ACCESSORY KIT 6
- 3. PART NAME 7
- 4. SET UP & INSTALLATION 8
- 5. HOW TO PLAY 12
- 6. GAME OPTION13
- 7. TROUBLESHOOTING 19
- 8.MAINTENANCE & INSPECTION25
- 9. OVERALL CONSTRUCTION 26
- 10. WIRING DIAGRAM 40

Thank you for purchasing **Duck Party GMP**. We hope you enjoy the product.

This manual contains valuable information about how to operate and maintain your game machine properly and safely. It is intended for the owner and/or personnel in charge of product operation. Carefully read and understand the instructions.

If you need any help during installation and setup please utilize this manual and troubleshooting guide. If the product fails to function properly, *non-technical personnel should under no circumstance attempt to service the machine*. Contact your distributor or manufacturer for help.

Before use, please read **IMPORTANT SAFETY INSTRUCTIONS**.

IMPORTANT SAFETY INSTRUCTIONS

To ensure the safe usage of this product, carefully read and understand these instructions before operating your game.

Save these instructions for future reference.

Use this product only as described in this manual. Other uses not recommended may cause fire, electric shock or personal injury. Unplug the game from the outlet when not in use, when moving from one location to another, and before cleaning/servicing.

Explanations which require special attention are indicated by signs of warning. Depending on the potential hazardous degree, the terms: **NOTE**, **NOTICE**, and **WARNING** are used.

NOTE: A NOTE indicates useful hints or information about product usage.

NOTICE: A NOTICE indicates potential damage to product and how to avoid the problem.

WARNING: A WARNING indicates a potential for product damage or serious personal injury.

It is important to understand the meaning of the following HAZARD SIGNS before continuing:

High Voltage and Shock Hazard:

High voltage can cause electric shock.
Turn off/unplug power before servicing.



High Temperature Hazard:

This part may cause scalding.
Do not touch. Surface may be hot.



No Touching Hazard:

This part may be hot or can cause electric shock.
Do not touch.



Use the following safety guidelines to help ensure your own personal safety and to help protect your equipment and surrounding environment from potential damage.

⚠️ This product is an indoor game machine. Do not install outdoors.

Avoid installing in the following places to prevent fire, electric shock, injury and/or machine malfunctioning:

- Places subject to rain/moisture, or places subject to high humidity.
- Places subject to direct sunlight, or places subject to extremely hot or cold temperatures to ensure that it is used within the specified operating range.
- Places where inflammable gas may be present or in the vicinity of highly inflammable/volatile chemicals or items that can easily catch fire.
- On unstable or sloped surfaces. The machine may topple or cause unforeseen accidents.
- Vicinity of fire exits, fire extinguishers etc that may block/prevent safety measures.

IMPORTANT NOTE:

ALL REPAIRS MUST BE DONE TO ORIGINAL MANUFACTURER SPECIFICATIONS. FAILURE TO DO SO VOID ALL WARRANTIES AND OPERATOR ASSUMES ALL RISKS.

Note: The contents of this manual may be updated without notice.

1. SPECIFICATIONS

Rated power supply: AC110V 50/60Hz;

Min. Power consumption: 220W

Max. Power consumption: 292W

Dimension: H97.69×W31.11×D39.44 in

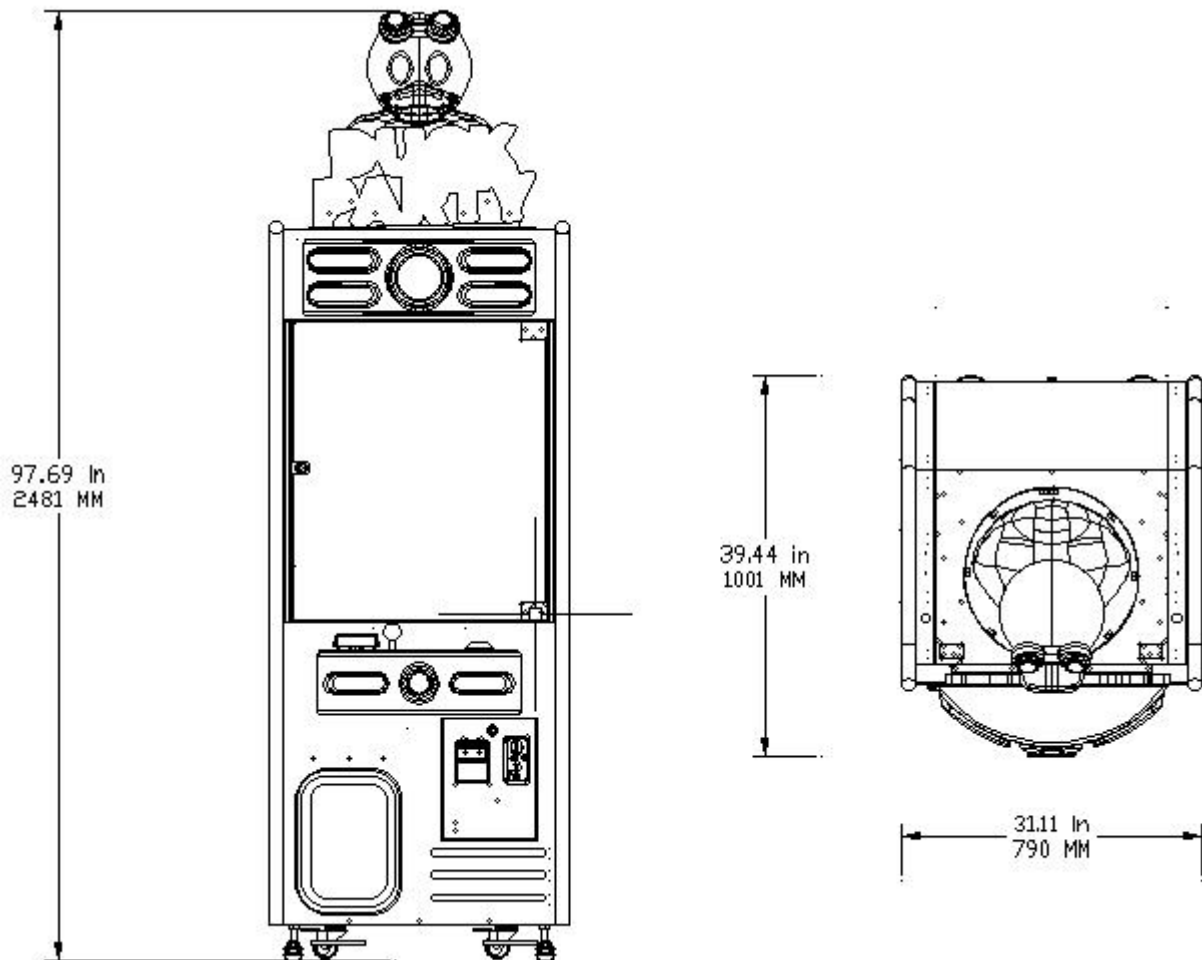
H2481×W790 ×D1001 mm

Weight: Approximately 374.78 lb/170 KG

Model No: T-430

Part No.: D177

! **NOTICE** : After turning off the game, please wait at least 1 minute before restarting again.








Note: Game specifications are subject to change without notice.

2. CONTENTS OF THE ACCESSORY KIT

Open the package and make sure all the items are included:

Following accessories

No.	Part No.	Code No.	Name/SPEC	Picture	Qty
1	D177-0304-00	2.33.01.018024	Power cord 3×18AWG 3M		1
2	D177-0305-00	2.19.01.000012	Fuse(T5A) Φ5×20mm T5A/250VAC		3
3	D177-0301-00	2.53.00608837	1408a key		1
4	D177-0302-00	2.53.00608838	1408b key		1
5	D177-0303-00	4.14.40000700	Manual		1
6	D177-0306-00	2.33.04.060005	Cable	/	1
7	D177-0307-00	/	Blanking plate	/	1

NOTE: Part models are subject to change without notice.

3. PART NAME

Key Components



4. SET UP & INSTALLATION

! NOTICE

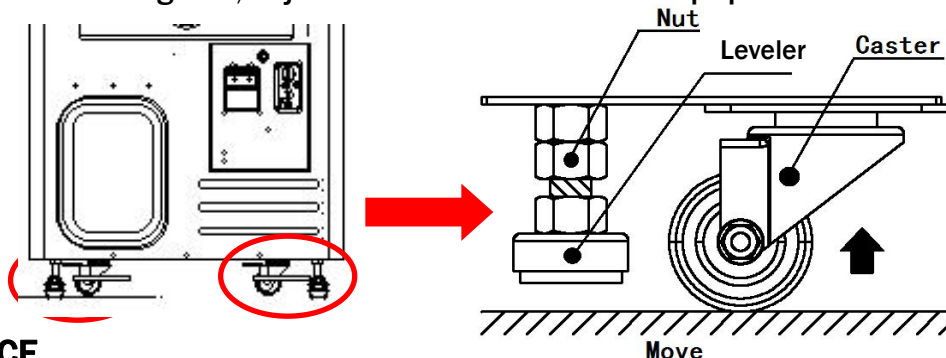
We do not recommend using power tools as they may cause damage.

! This product is an indoor game machine. Do not install outdoors.

- Refer to IMPORTANT SAFETY INSTRUCTIONS (Pg. 3) for places to avoid.
- Place the unit on a dry level surface.
- Ventilation openings in the back of the unit must not be obstructed by objects or by wall.

4.1 Transporting the Game

If you need to move the game, adjust the levelers back to an “up” position.



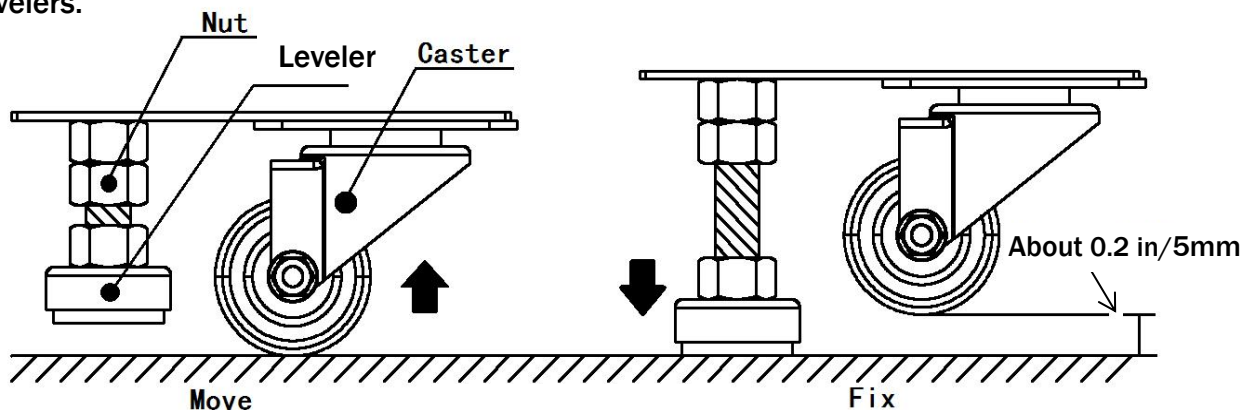
! NOTICE

- Be careful not to damage the machine during transport.
- Always unplug the game before moving.
- Keep the machine in upright position during transport.
- For longer distance transport, package the game properly to prevent damages.

4.2 Level Adjustment

Install this game on a flat surface. If the game is installed on an unsuitable floor, it could cause game malfunction.

To secure the game, loosen the nut, utilize wrench to adjust the leveler down until it touches the floor, lifting the casters off the ground by 0.2 in/5mm. Repeat the same for all levelers.



! NOTICE

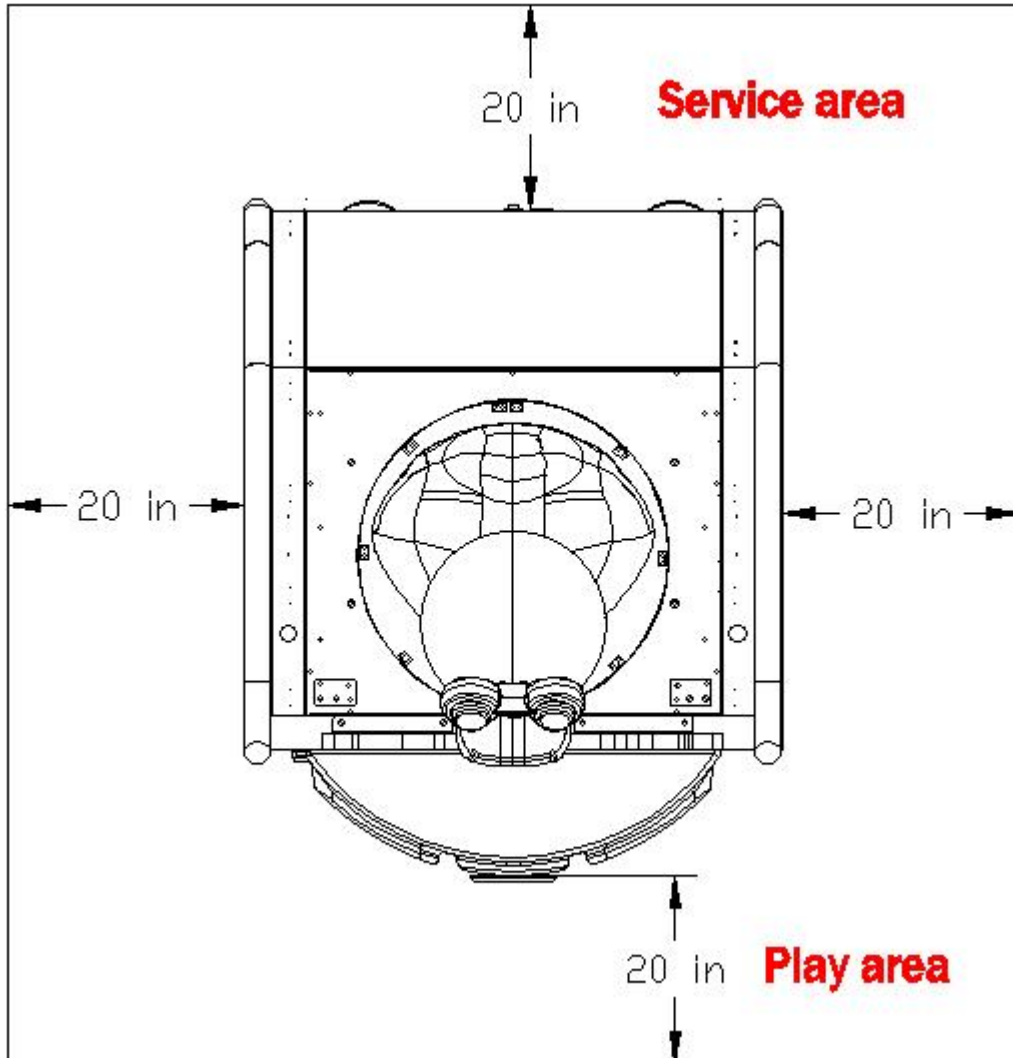
Make sure the machine is level.

4.3 Play Zone

This machine requires space for playing and for maintenance as shown below.

Leave space around the game upon installation:

Service area: 20 in

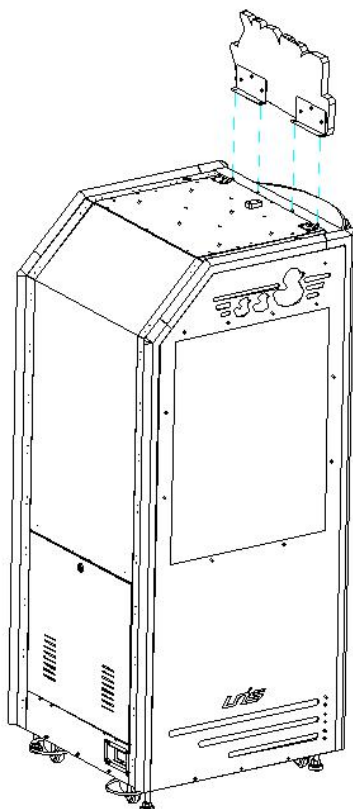


NOTICE

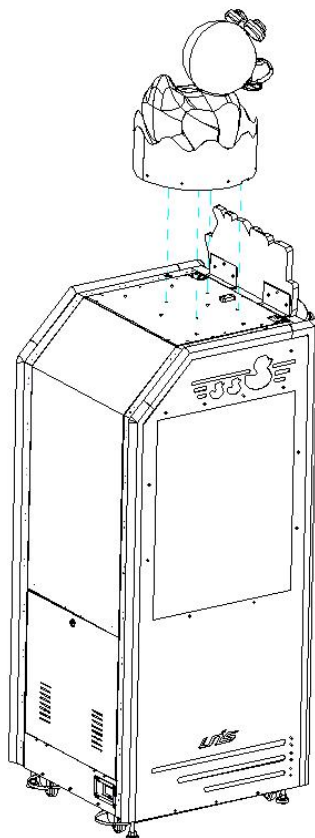
Your unit must be leveled to operate properly.

4.4 Machine Installation

Step 1 Install LOGO marquee to the top of the cabinet. Utilize screws to secure.




Step 2 Install Duck marquee. Utilize screws to secure. Connect the connectors.



Finish!

4.5 Card Reader Installation Safety Notice

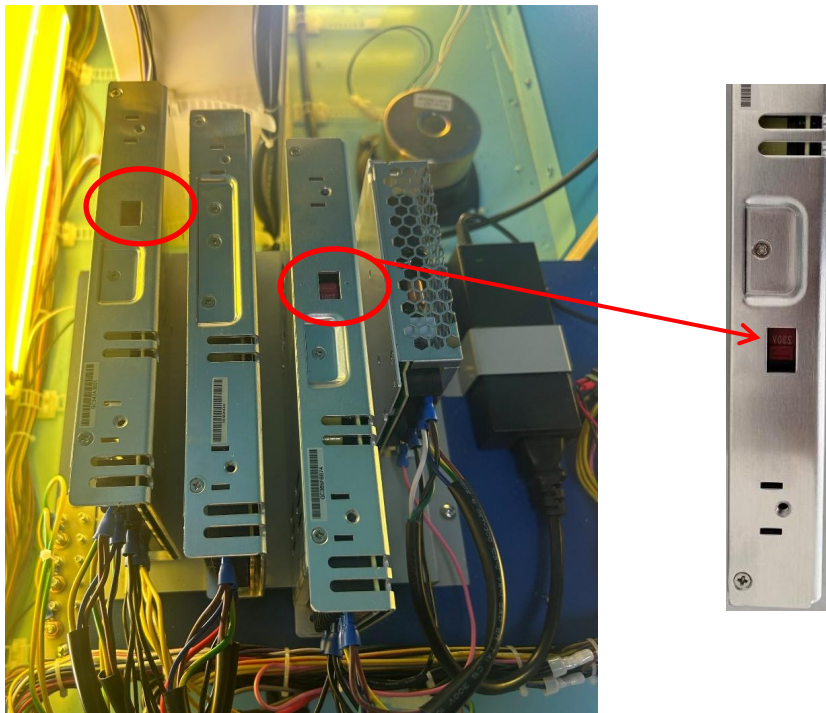
 Take precaution to assure that all wiring voltages are confirmed prior to installation of card reader. All warranties are void if not properly installed resulting in logic board damage.

Important: This game is pre-wired to AAMA standards. It is highly recommended to utilize this wiring for Card reader installation.

4.6 Voltage Conversion

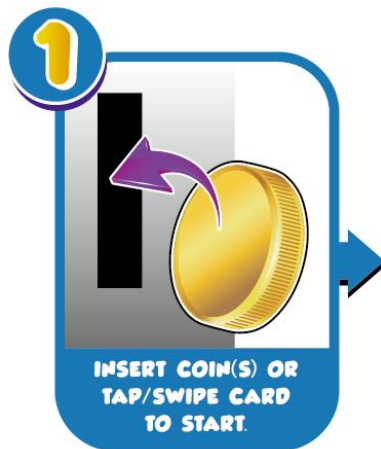
Step 1 Power off the machine. Locate the Power supply.

Step 2 Toggle the Power supply and PC switch to 115V or 230V according to your need.

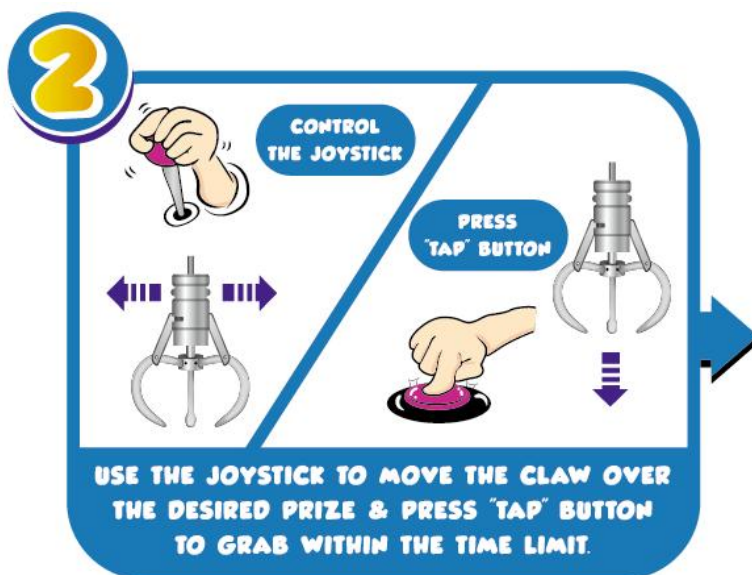


5. HOW TO PLAY

5.1 Insert coins or tap/swipe card to start.



5.2 Use the joystick to move the claw over the desired prize & press "TAP" button to grab within the time limit.

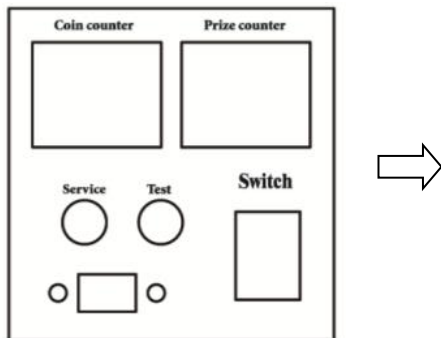


5.3 Win any prize that the claw drops into the prize box player can collect prize from prize door.



6. GAME OPTION

6.1 Adjustment button instruction



Open the coin door and there is a meter panel. Long press **Service** button for 5 seconds to enter the setting menu.

Utilize **Joystick** to control setting menu UP/DOWN/LEFT/RIGHT. Press **Tap button** to confirm& back.

6.2 Setting menu

6.2.1 Main menu

No.	Options
1	Basic Setup
2	Crane Setup
3	Prize Setup
4	Light Setup
5	Connect Setup

No.	Options
6	Factory Test
7	Accounts Query
8	DBV Bonus
9	Save and Exit

6.2.2 Basic Setup

No.	Options	Adjustable Range	Default	Description
A.	Coin	Free,1-98	01	Coins per game;
B.	Presen	0-50	00	Invalid option
C.	Play Time	05-99	30	
D.	Shank Res	ON/OFF	ON	Player shake/tilt the machine will clear the coin.
E.	PR Sensor	AUT/OFF/ON	AUT	Sensor detect
F.	STB Music	ON/OFF	ON	Standby music
G.	Music Mode	IN/EX	IN	EX: Saved by memory stick. IN: Saved by machine mainboard.
H.	Volume Set	0-20	16	
I.	Coin Save	ON/OFF	ON	Memory save
J.	Language	EN/CH	EN	
K.	Video No	01-99	01	For LCD header version only: Standby videos quantity
L.	Back And Exit			

6.2.3 Crane Setup

No.	Options	Adjustable Range	Default	Description
A.	BOM Volt.	0.1-50.0	40	Set the voltage at the bottom of the claw to grab the prize and when rising.
B.	MID Volt	0.1-50.0	10	Sets the voltage of the claw after the specified grab height
C.	WEK VOLT	0.0-50.0	8	Set the voltage when the claw reaches the top
D.	BAK VOLT	0.0-50.0	9	Set the voltage of the claw when it moves towards the prize slot.
E.	FB Speed	1-100	45	Crane front& back speed. The higher the number, the faster it moves
F.	LR Speed	1-100	45	Crane left& right speed
G.	UP Speed	1-100	45	Crane up speed
H.	DN Speed	1-100	60	Crane down speed
I.	Line Tim	0.1s-5.0s	1.6S	Set the length of the claw line. The larger the value, the longer the crane line length. If the value is too large, accidents will occur frequently. If the value is too small, it will not be long enough to catch the prize.
J.	Bom Tim	0.0s-2.0s	1.0S	Set how long the claw stays after grabbing the prize before rising.
K.	Top Tim	0.0s-2.0s	0.0S	Set how long the claw stays after grabbing the prize to the top.
L.	Rel Tim	0.1s-5.0s	1.3S	Set the claw to grab the prize up to the specified height and change the next stage of claw strength.
M.	Drop Mode	OFF/MIX/FIX	OFF	
N.	Drop Loct	ENT	ENT	Prize will drop on the specified position you set.
O.	Sway Line	OFF/P01-05/S01-05	P05	
P.	Joy Delay	0-100	007	Set the sensitivity of the joystick, The higher the value, the lower the sensitivity of the joystick.
Q.	Bot Delay	0-100	000	Set how long the claw starts falling after the button is pressed.
R.	Mode	Suddenly/Gradual	Suddenly	Suddenly: Claw strength will change suddenly. Gradual: The strength of the previous stage changes slowly from the next

				stage
S.	Air Grip	ON/OFF	OFF	<p>OFF: The claw cannot be closed by pressing the button again before it lower to the bottom.</p> <p>ON: The claw can be closed by pressing the button again before it lower to the bottom</p>
T.	Crane Home	LB/LF	LB	Prize slot position.
U.	Swig STRH	0-100%	000	<p>Reduce the percentage of the original claw when the player swings the claw.</p> <p>Eg: the original claw force is set at 40%, and the Swig STRH is set at 30%</p> <p>After the player swing the claw, the force of the claw becomes 28%</p>
V.	Swig Sped	0-100	000	Reduce the percentage of the original downline speed when the player swings the claw
W.	Swig Line	0-100	000	Reduce the percentage of the original line length when the player swings the claw
X.	Pul Time	0.00-0.30	0.00	
Y.	Pull Sped	1-100	100	
Z.	Top Weak	0.00-1.00	0.10	
#	Back And Exit			

6.2.4 Prize Setup

No.	Options	Adjustable Range	Default	Description
A.	Difficulty	000/Easy/Norm/Hard/Dify	Easy	Games Difficulty
B.	Award Mode	AC/FX/RA	FX	<p>AC=Accumulate</p> <p>FX=Fix</p> <p>RA=Random</p>
C.	Prize No.	0-10	0004	
D.	Get Bolt	0.1-45.0	45	
E.	Disp Win	ON/OFF	OFF	
F.	TOK PRIC	1-50	0001	Coin per prize
G.	WIN PRIC	1-9999	0020	
H.	Back And Exit			

6.2.5 Light Setup

No.	Options	Adjustable Range	Default	Description
A.	LED Color	0-255	180	Standby light color
B.	LED Mode	S-MO/E-MO/M-CO/ F-RU/F-FL/F-CO/F- MO/Start	STAT	Standby light flash mode
C.	Win Color	0-255	000	Winning light color
D.	Win Color	FLK/FSG/STA/SLK /SSG//STA	SLK	Winning light flash mode
E.	Light Sta	ON/Lin	ON	
F.	RGB Light	1-255	255	
G.	Back And Exit			

6.2.6 Connect Setup

No.	Options	Adjustable Range	Default	Description
A.	Local No.	SIG/0-99	SIG	
B.	Group No.	0-99	00	
C.	Link Amou	0-99	10	
D.	Share Fun	ON/OFF	OFF	Off: The full-field probability function does not work On: The full-field probability function is active
E.	Acumt Sum	0-999	000	Set all machines to share a probability
F.	Basic Shar	LK	LK	Long press the button to share basic setting to other machine.
G.	Crane Shar	LK	LK	Long press the button to share Crane setting to other machine.
H.	Prize Shar	LK	LK	Long press the button to share Prize setup to other machine.
I.	Light Shar	LK	LK	Long press the button to share Light stsetup to other machine.
J.	Basic ACP	ON/OFF	ON	Whether to accept the Settings shared information sent from other machines, Not received if turned off.
K.	Crane ACP	ON/OFF	ON	
L.	Prize ACP	ON/OFF	ON	
M.	Light ACP	ON/OFF	ON	
N.	Back And Exit			

6.2.7 Factory Test

No.	Options	Status	Description
A.	Intelligt Test		Auto Test: Long press button for 10s to exit
B.	Console Test	1. F-B Test 2. L-R Test 3. U-D Test 4. Claw Test 5. Back and Exit	
C.	Crane Test		
D.	PR Sensor Test		
E.	Back And Exit		

6.2.8 Accounts Query

No.	Options	Status	Description
A.	Coin in		Total number of coins
B.	MOB Pay		Invalid option
C.	Income		Total number of incomes
D.	Gift		Total number of gifts
E.	Count		
F.	Back and Exit		

6.2.9 DBV Bonus

No.	Options	Adjustable Range	Default	Description
A.	1 Dollar=? Coins	01-50	01 Coins	Converting while a DBV is utilized in the machine.
B.	5 Dollar=? Coins	01-50	06 Coins	
C.	10 Dollar=? Coins	01-50	14 Coins	
D.	20 Dollar=? Coins	01-50	30 Coins	
	Back and Exit			

6.3 How To Set “Play To Win Every Time” Feature

Please change below parameters in “Prize Setup” option

Prize Setup

No.	Options	Parameter
A.	Difficulty	000
C.	Prize No.	0000
E.	Disp Win	ON
F.	TOK PRIC	0001
G.	WIN PRIC	0001

7. TROUBLESHOOTING

7.1 Common Problem

Please confirm that all connectors fit tightly.

Symptom	Possible Cause	Recommended action
Game will not start	Frame assembly connector is loose.	Check connector.
	Frame assembly fault	Contact with UNIS Service.
Power off	Circuit protector make power SW in off state.	Turn on power SW again. If appeared again and again, machine has anomaly. Please contact with UNIS Service.
Card reader not working	The connector is loose.	Check connector.
	Card reader fault.	Check with card reader manufacturer.
No sound	Low volume	Raise the volume.
	Connector loose.	Check connector.
	Speaker fault.	Check speaker.
	POT installation error.	Install POT correctly.
	POT fault.	Change POT.
	Audio cable problem.	Reconnect the audio cable or change it.

If you see following error signs showing on the display, please try the recommended action.

Display	Possible Cause	Recommended action
Error 01 (Check Down SW and Down motor)	Connector became loose during transport.	Check and reconnect the Crane connector.
	Crane motor gear is broken. (Gear keeps ringing)	Replace crane motor gear.
	Mainboard is faulty.	Replace mainboard.
	Crane motor is faulty.	Replace Crane motor.
	Long micro sw is faulty.	Replace Long micro sw.
	Rope direction is wrong.	Press Test button and move joystick to place the crane rope to the longest. Then collect back by moving the joystick.
The rope came out and got stuck.	Open crane cover. Manually arrange the crane rope according to the correct method.	

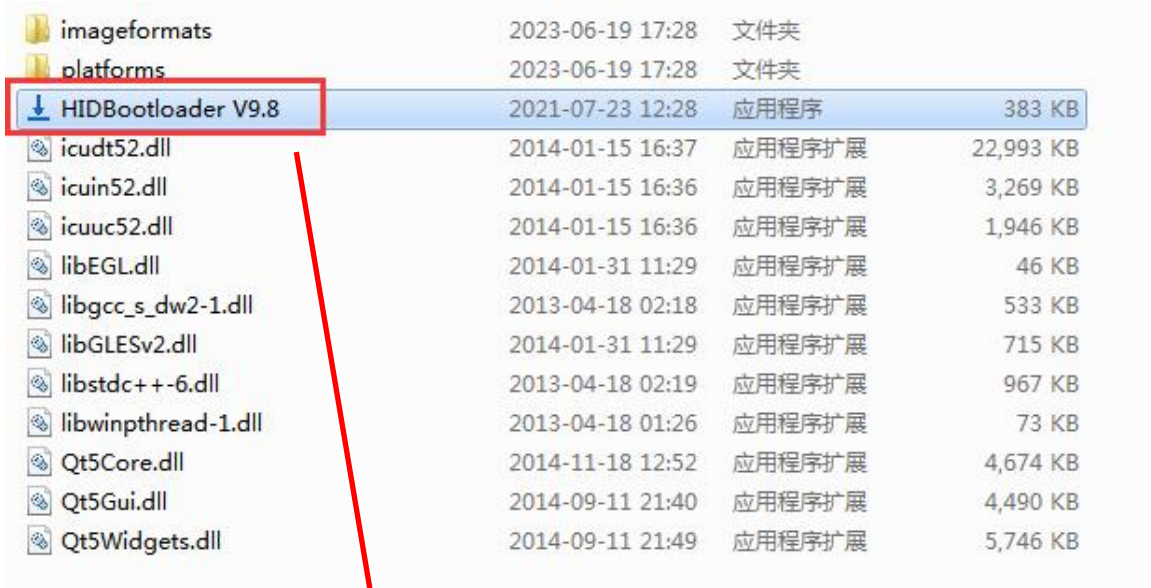
Display	Possible Cause	Recommended action
Error 02 (Check Back SW and FB motor)	Connector became loose during transport.	Check and reconnect the Crane connector.
	The crane track is bent and stuck.	Fix track.
	Crane motor is faulty.	Replace Crane motor.
	Crane motor gear is broken.(Gear keeps ringing)	Replace crane motor gear.
	Mainboard is faulty.	Replace mainboard.
	Crane micro sw is faulty.	Replace crane micro sw.
	Do not touch anti-shake rubber.	Check whether the track is bent.
Error 03 (Check Front SW and FB motor)	Connector became loose during transport.	Check and reconnect the Crane connector.
	The crane track is bent and stuck.	Fix track.
	Crane motor is faulty.	Replace Crane motor.
	Crane motor gear is broken. (Gear keeps ringing)	Replace crane motor gear.
	Mainboard is faulty.	Replace mainboard.
	Crane micro sw is faulty.	Replace crane micro sw.
	Do not touch anti-shake rubber.	Check whether the track is bent.
Error 04 (Check Left SW)	Connector became loose during transport.	Check and reconnect the Crane sensor connector.
	Crane motor is faulty.	Replace Crane motor.
	Crane micro sw is faulty.	Replace crane micro sw.
	Crane motor gear is broken. (Gear keeps ringing)	Replace crane motor gear.
	Mainboard is faulty.	Replace mainboard.
Error 05 (Check Right SW and LR-motor)	Connector became loose during transport.	Check and reconnect the Crane sensor connector.
	Crane motor is faulty.	Replace Crane motor.
	Crane micro sw is faulty.	Replace crane micro sw.
	Crane motor gear is broken. (Gear keeps ringing)	Replace crane motor gear.
	Mainboard is faulty.	Replace mainboard.
Error 06 (Pendulum alarm)	Tilt alarm.	Stop shaking the machine
	Over-sensitivity	Readjust the shaker alarm. Move the pendant down or the circle iron up.
Error 07 (Sensor Error)	Connector became loose during transport.	Check and reconnect the sensor connector.
	Prize detect sensor is faulty.	Replace Prize detect sensor.
	Prize jammed	Remove jammed prize on the prize out hole.
	The Sensor doesn't match the black cloth.	Focus Sensor on the black cloth.

7.2 Mainboard Update Instructions

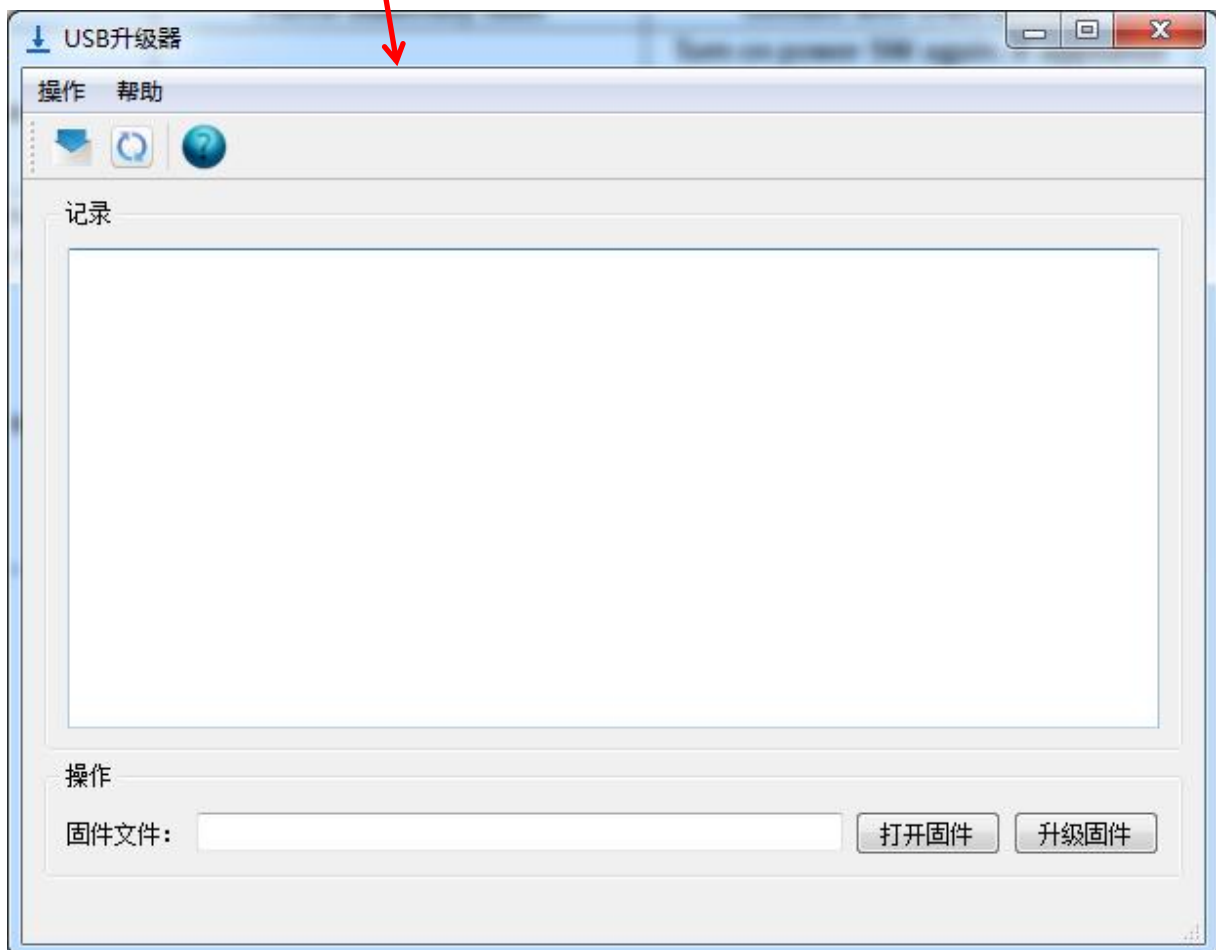
Notice: Please Contact UNIS Service for latest software.

Step 1 Power off the machine. Open the back bottom door. Loosen screws to remove mainboard.

Step 2 Decompress HIDBootloader.zip. Double click to open the software.

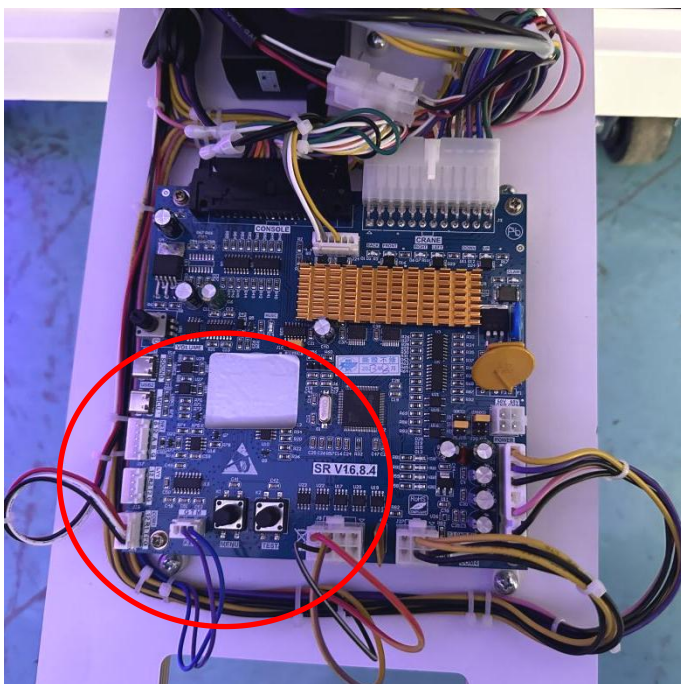


名称	日期	类型	大小
imageformats	2023-06-19 17:28	文件夹	
platforms	2023-06-19 17:28	文件夹	
HIDBootloader V9.8	2021-07-23 12:28	应用程序	383 KB
icudt52.dll	2014-01-15 16:37	应用程序扩展	22,993 KB
icuin52.dll	2014-01-15 16:36	应用程序扩展	3,269 KB
icuuc52.dll	2014-01-15 16:36	应用程序扩展	1,946 KB
libEGL.dll	2014-01-31 11:29	应用程序扩展	46 KB
libgcc_s_dw2-1.dll	2013-04-18 02:18	应用程序扩展	533 KB
libGLv2.dll	2014-01-31 11:29	应用程序扩展	715 KB
libstdc++-6.dll	2013-04-18 02:19	应用程序扩展	967 KB
libwinpthread-1.dll	2013-04-18 01:26	应用程序扩展	73 KB
Qt5Core.dll	2014-11-18 12:52	应用程序扩展	4,674 KB
Qt5Gui.dll	2014-09-11 21:40	应用程序扩展	4,490 KB
Qt5Widgets.dll	2014-09-11 21:49	应用程序扩展	5,746 KB

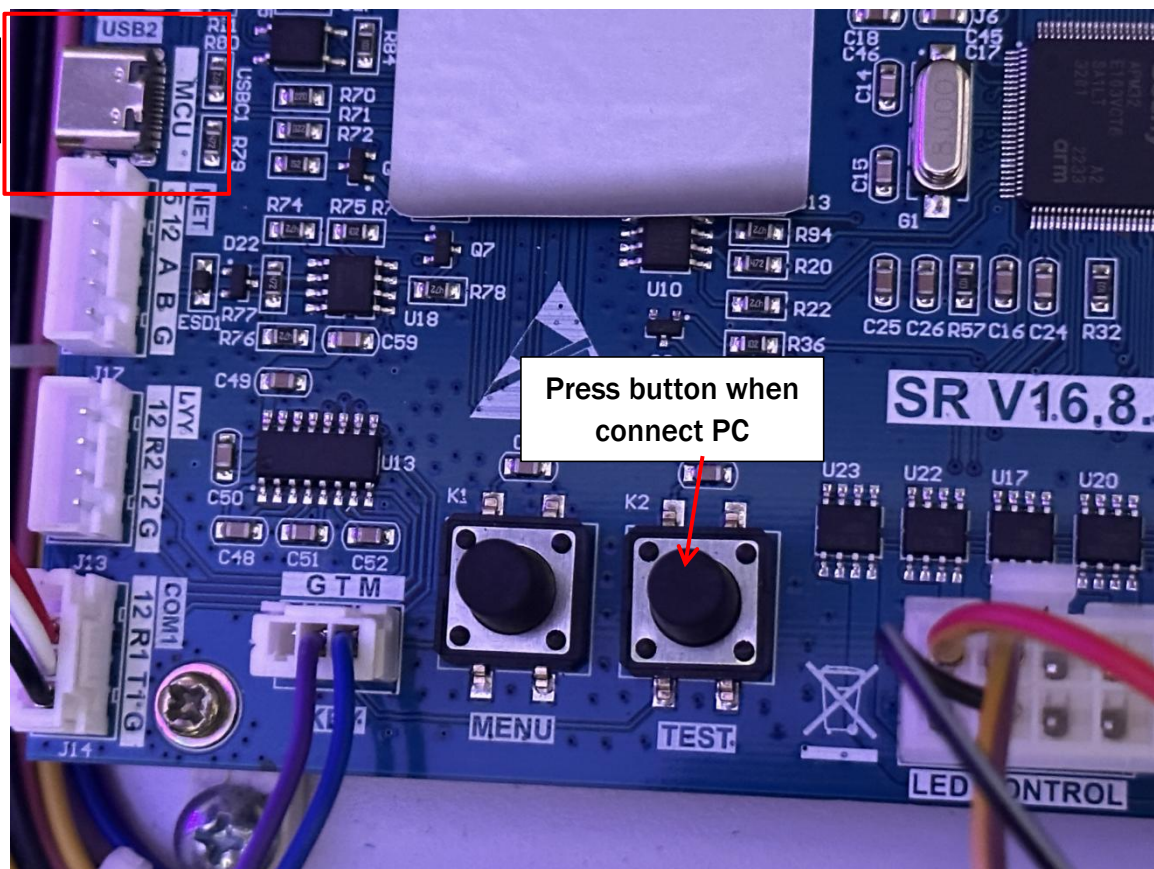


Step 2 Connect cable to the PC.

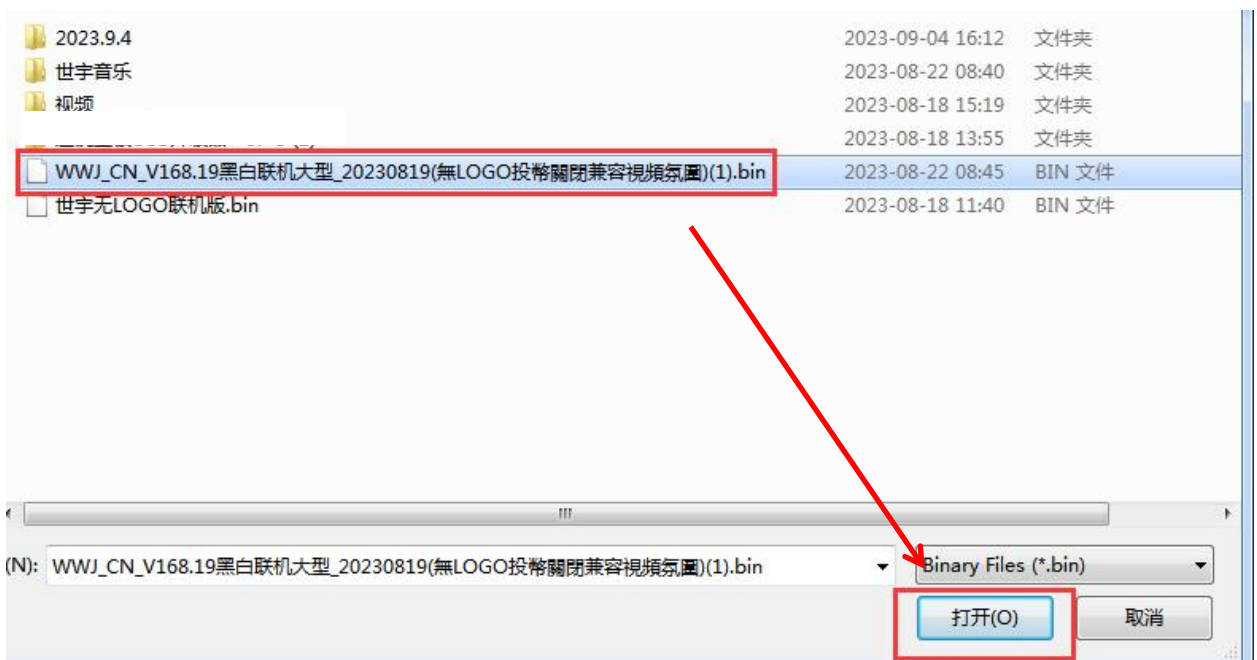
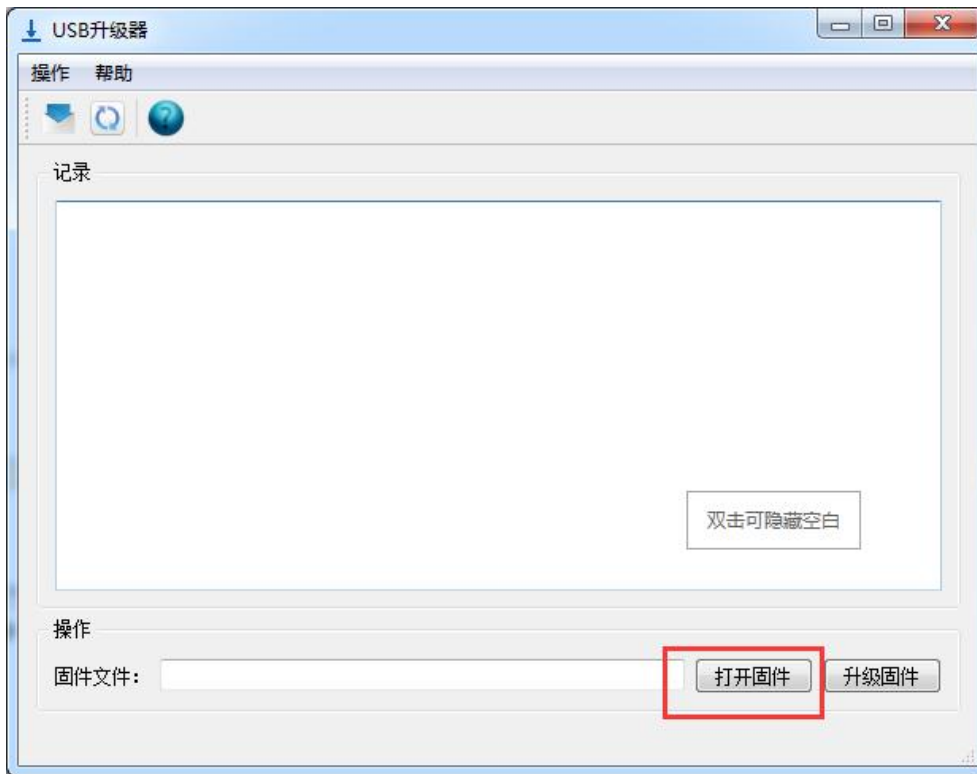
Step 3 Connect cable to the Mainboard MCU port while pressing Test button.



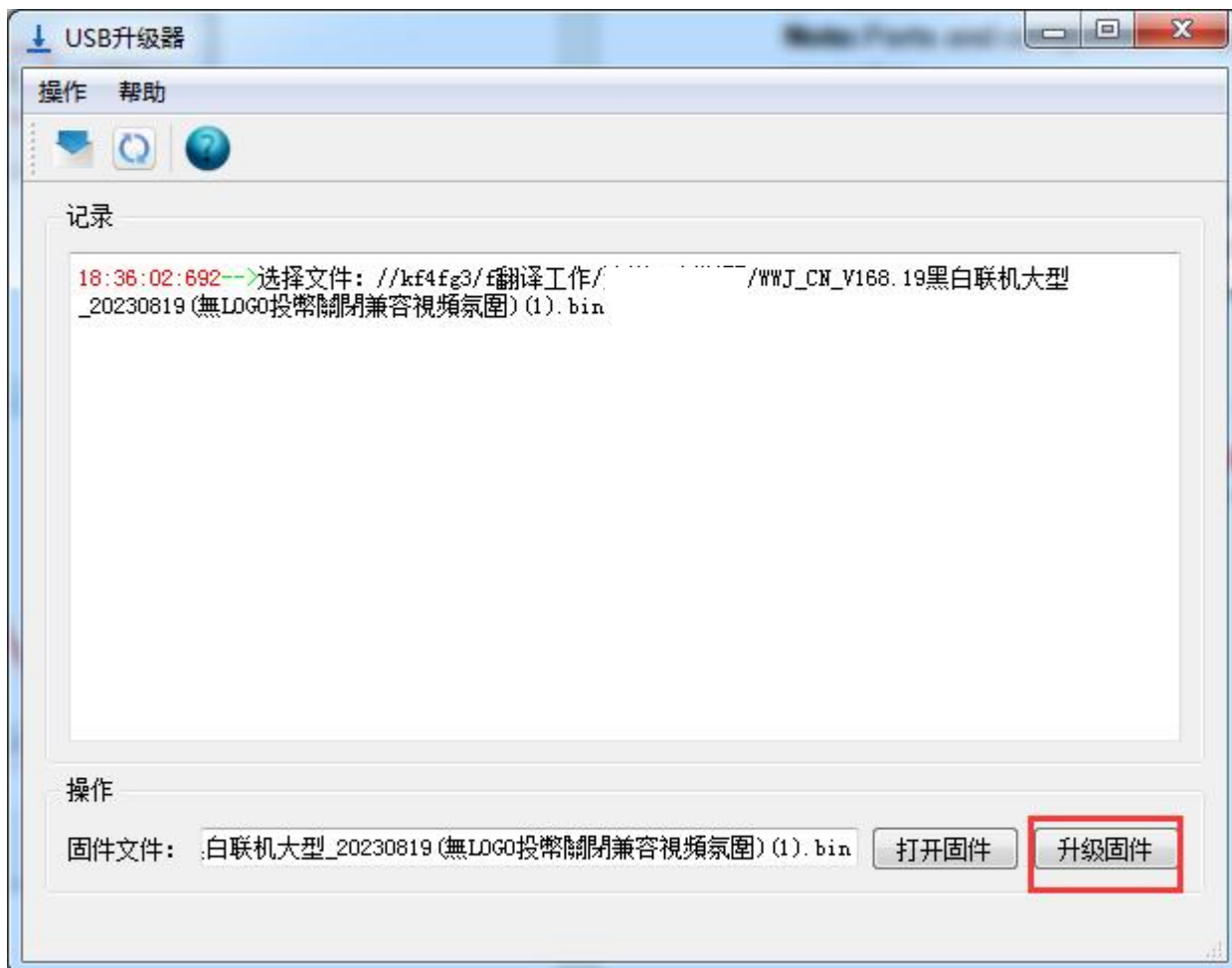
Cable port



Step 4 Locate PC. Select “打开固件”(Open Software). Select latest software(Bin. format).
 Note: Picture software is only for reference.



Step 5 Select “升级固件” (Update Software) to update mainboard.



Step 6 When you see “ (Success)”, Update finish! Unplug the mainboard.

Step 7 Install Mainboard back to the machine. Power on the machine.

Finish!

8.MAINTENANCE & INSPECTION

8.1 Safety Check

Check the points listed before operating the machine. These checks are necessary for safe machine operation:

1. Test game before operation each day.
2. Conduct monthly routine checks of game components to ensure good working condition.
3. Check the machine regularly for dust and clean when necessary.

Note: Parts and components require preventative maintenance to maintain proper operation.

8.2 Handling Precautions

When installing or inspecting the machine, be very careful and pay attention to ensure that the player can enjoy the game safely.

Inappropriate handling running counter to the cautionary matters can cause personal injury or damage to the machine.

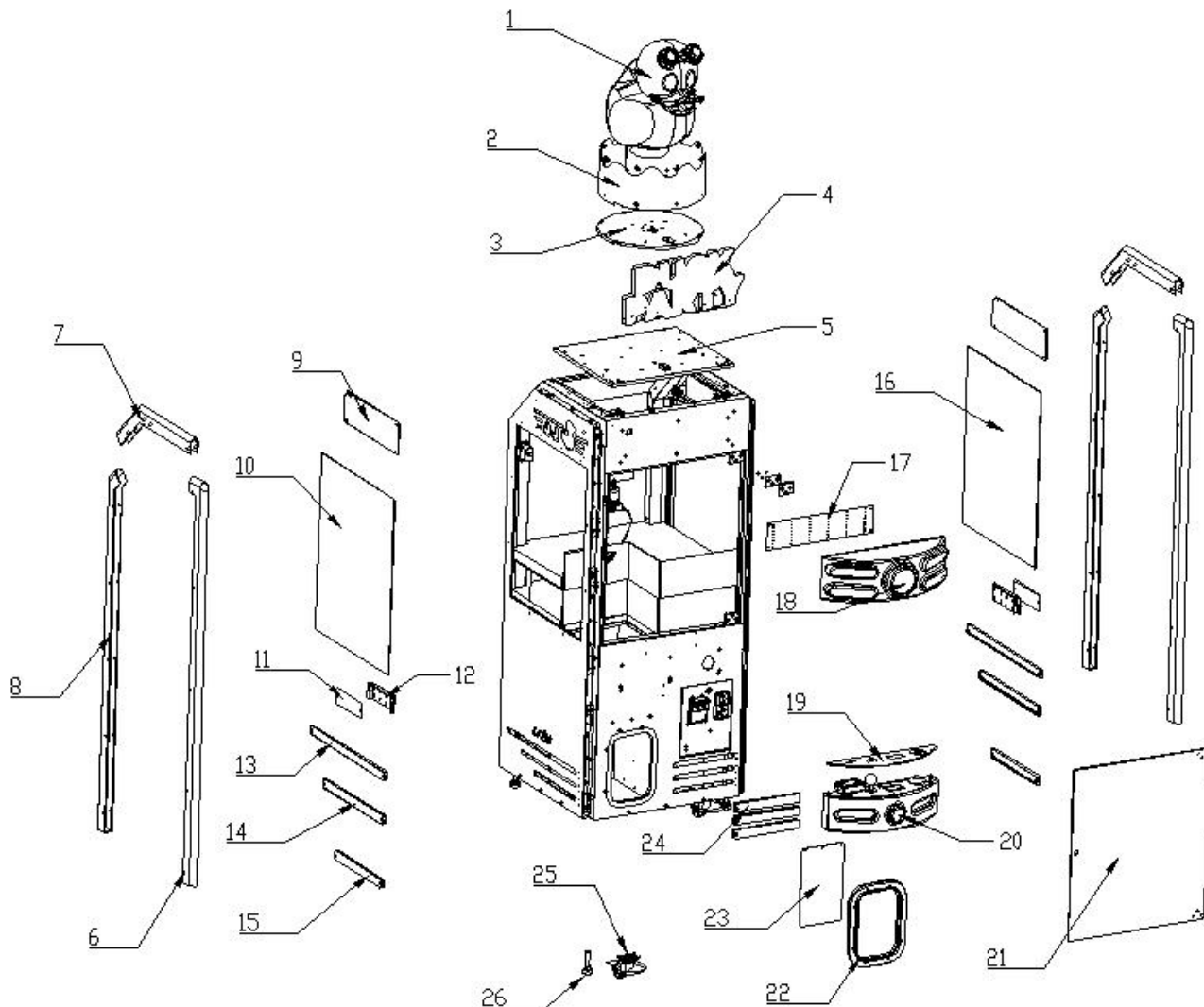


NOTICE

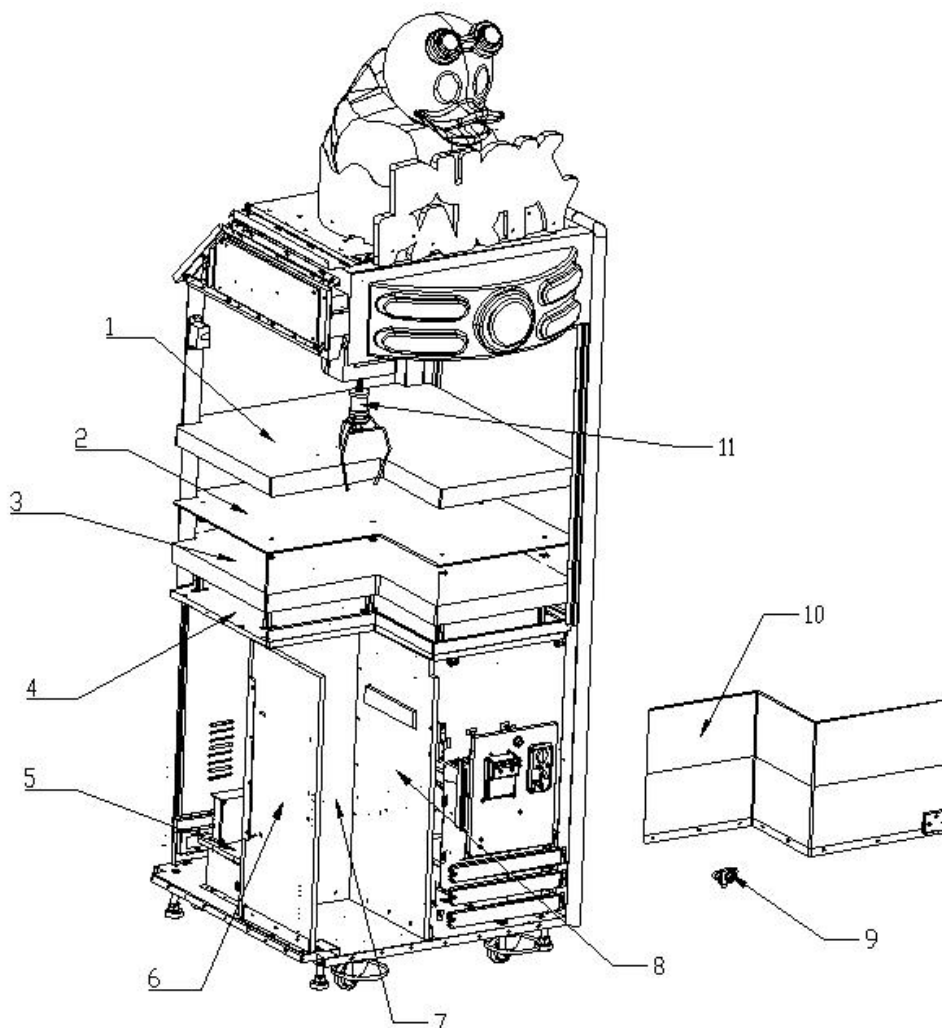
We do not recommend using power tools as they may cause damage.

9. OVERALL CONSTRUCTION

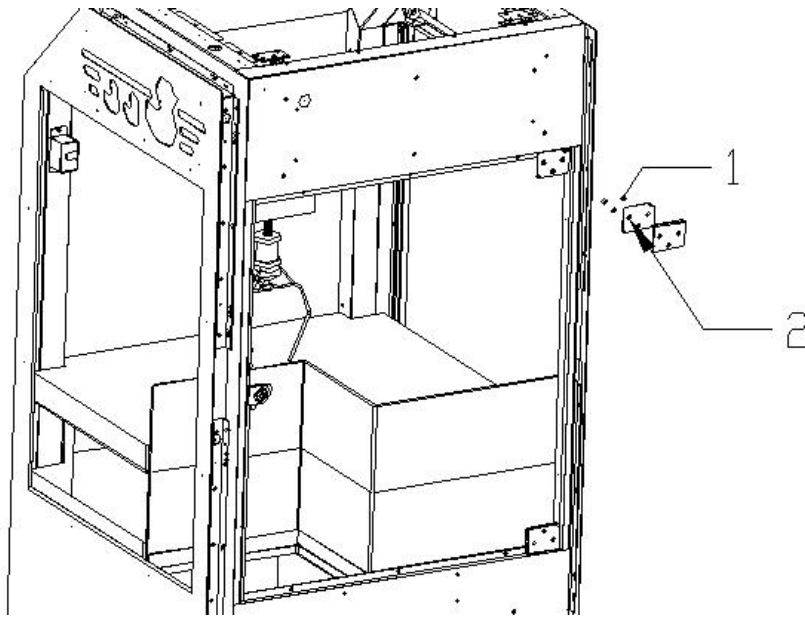
9.1 General Assembly



No.	Part No.	Code No.	Name	Version	Qty
1	D177-0135-00	206.1.2323.026	Marquee duck	1.1	1
2	D177-0204-00	205.2.2381.004	Duck fence PVC	1.1	1
3	D177-0128-00	203.2.2381.006	Duck base board	1.1	1
4	D177-0203-00	206.2.2381.018	LOGO marquee	1.1	1
5	D177-0127-00	203.2.2381.005	Top board	1.1	1
6	D177-0103-00	206.2.2381.024	Side light cover 1	1.1	2
7	D177-0104-00	206.2.2381.025	Side light cover 2	1.1	2
8	D177-0105-00	206.2.2381.026	Side light cover 3	1.1	2
9	D177-0117-00	206.2.2381.038	Side light plastic upper	1.1	2
10	D177-0206-00	205.2.2381.006	L side glass	1.1	1
11	D177-0114-00	206.2.2381.035	Side light plastic 4	1.1	2
12	D177-0115-00	206.2.2381.036	Side light PVC	1.1	2
13	D177-0111-00	206.2.2381.032	Side light plastic 1	1.1	2
14	D177-0112-00	206.2.2381.033	Side light plastic 2	1.1	2
15	D177-0113-00	206.2.2381.034	Side light plastic 3	1.1	2
16	D177-0205-00	205.2.2381.005	R side glass	1.1	2
17	D177-0109-00	206.2.2381.030	Front decoration light PVC	1.1	1
18	D177-0102-00	206.2.2381.023	Front decoration PE	1.1	1
19	D177-0201-00	205.2.2381.001	Control panel plastic	1.1	1
20	D177-0106-00	206.2.2381.027	Control panel moulding	1.1	1
21	D177-0107-00	206.2.2381.028	Glass door	1.1	1
22	D177-0110-00	206.2.2381.031	Prize hole plastic	1.1	1
23	D177-0202-00	205.2.2381.002	Prize out plastic	1.1	1
24	D177-0116-00	206.2.2381.037	Front plastic	1.1	3
25	D177-0139-00	2.55.01.000136	2.5" caster	1.1	4
26	D177-0138-00	2.60.00008000	Leveller	1.1	4

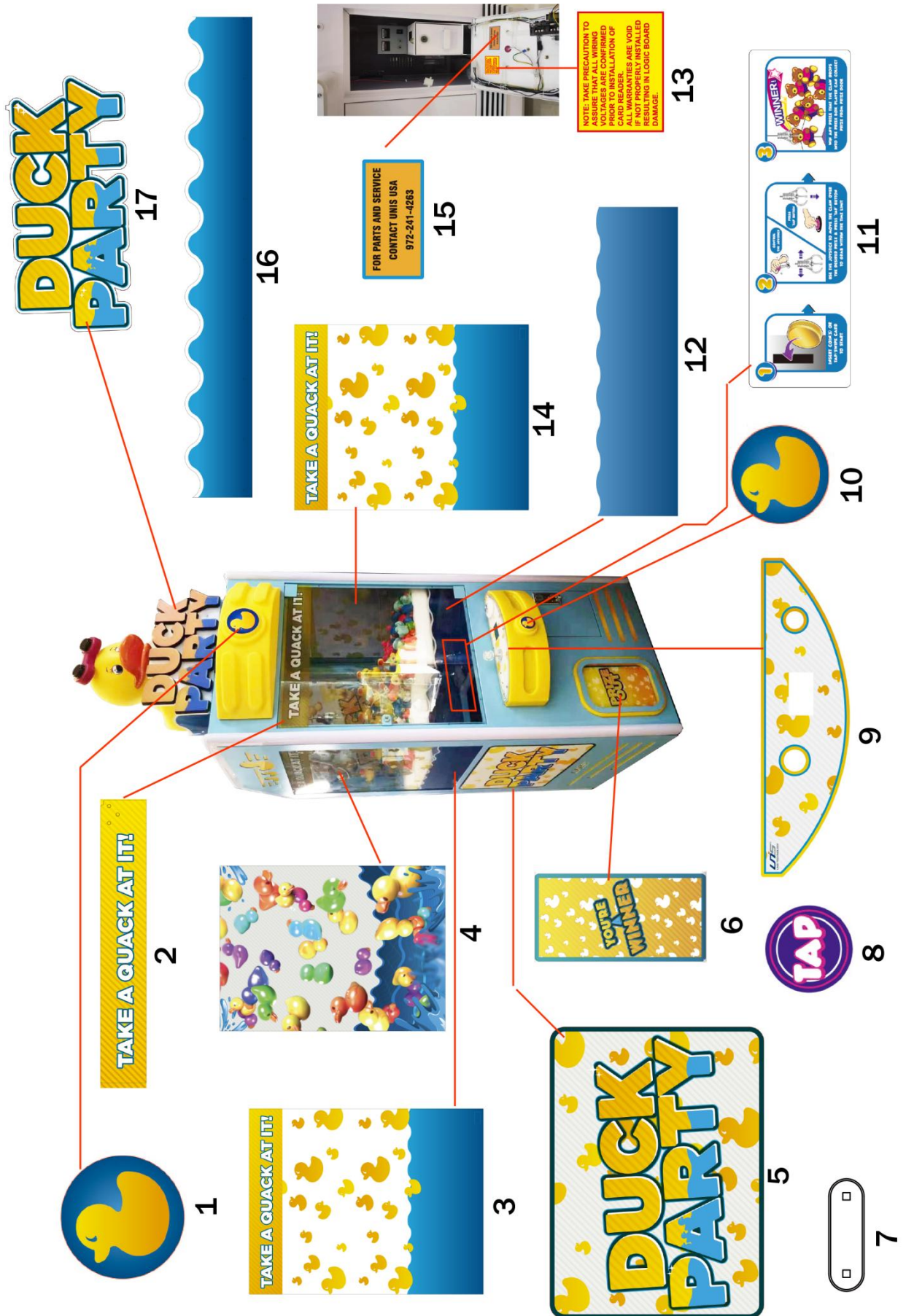


No.	Part No.	Code No.	Name	Version	Qty
1	D177-0119-00	206.2.2381.039	Prize area clear plastic	1.1	1
2	D177-0120-00	206.2.2381.040	Prize area rubber PVC	1.1	1
3	D177-0118-00	206.2.2381.021	Prize area pad board	1.1	1
4	D177-0125-00	203.2.2381.004	Prize area board	1.1	1
5	D177-0129-00	203.2.2381.007	Electrical mounting board	1.1	1
6	D177-0122-00	203.2.2381.001	Prize out L board	1.1	1
7	D177-0123-00	203.2.2381.002	Prize out board	1.1	1
8	D177-0124-00	203.2.2381.003	Prize out R board	1.1	1
9	D177-0140-00	2.53.00608834	1408a lock	1.1	1
10	D177-0108-00	206.2.2381.029	Prize blocking plastic	1.1	1
11	D177-0411-00	2.24.04.050045	Crane set	1.1	1

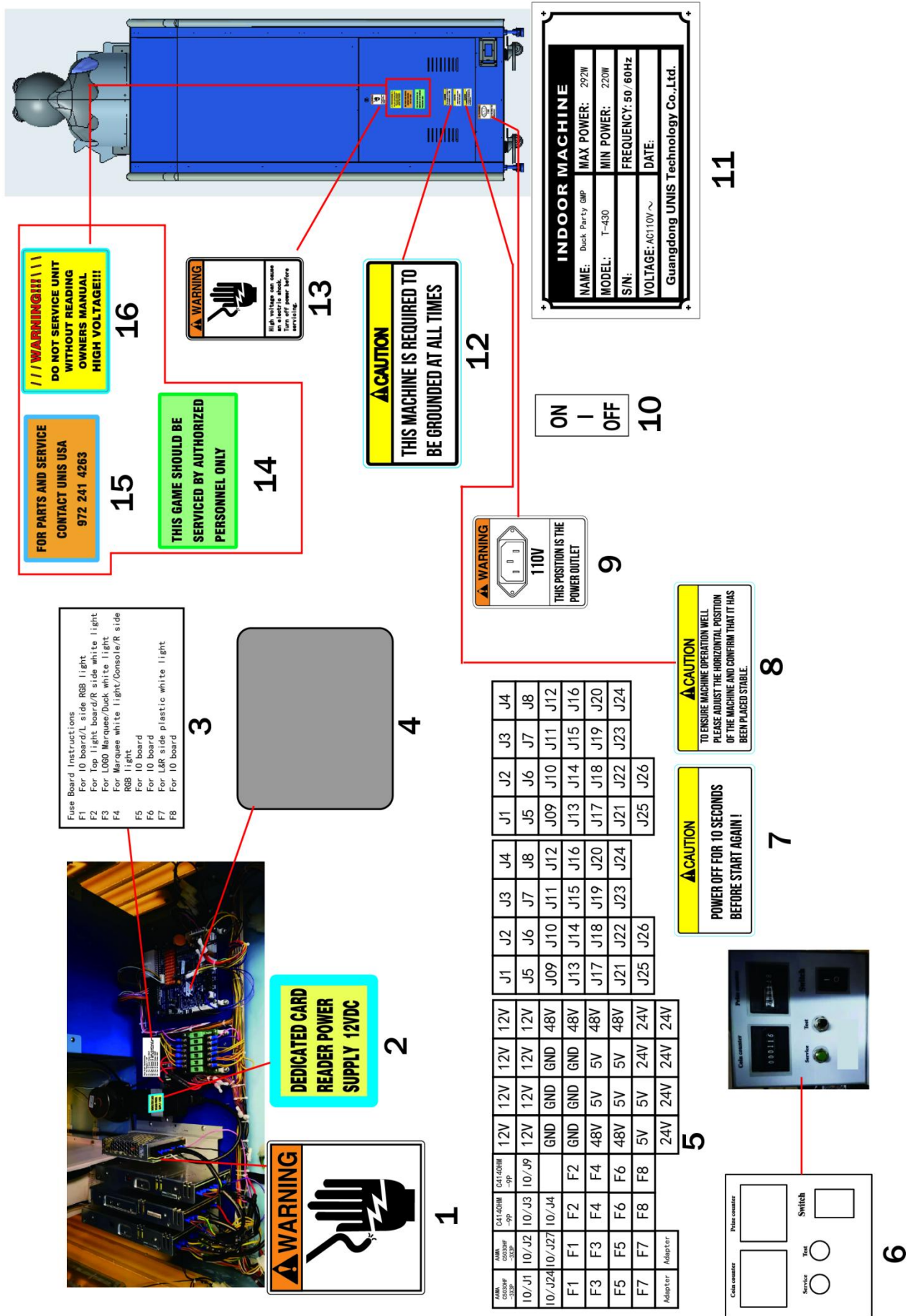


No.	Part No.	Code No.	Name	Version	Qty
1	D177-0133-00	206.2.2315.012	Rubber POM	1.1	3
2	D177-0132-00	206.2.2315.002	Glass door PVC	1.1	2

9.2 Decals



No.	Part No.	Code No.	Name	Version	Qty
1	D177-0210-00	205.2.2381.010	Top mid duck decal	V1.1	1
2	D177-0211-00	205.2.2381.011	Front top decal	V1.1	1
3	D177-0205-00	205.2.2381.005	R side glass	V1.1	1
4	D177-0207-00	205.2.2381.007	Background PVC	V1.1	1
5	D177-0209-00	205.2.2381.009	Side PVC	V1.1	2
6	D177-0202-00	205.2.2381.002	Prize out plastic	V1.1	1
7	D177-0220-00	205.2.2315.315	Card reader cover plastic	V1.1	1
8	D177-0219-00	205.2.2315.312	Tap button decal	V1.1	1
9	D177-0201-00	205.2.2381.001	Control panel plastic	V1.1	1
10	D177-0208-00	205.2.2381.008	Control panel duck decal	V1.1	1
11	D177-0218-00	205.2.2381.018	Game instructions decal	V1.1	1
12	D177-0212-00	205.2.2381.012	Front bottom decal	V1.1	1
13	D177-0221-00	205.1.1707K.020	AAMA decal	V1.1	1
14	D177-0206-00	205.2.2381.006	L side glass	V1.1	1
15	D177-0230-00	2.56.00.000096	Service label(s)	V1.1	3
16	D177-0204-00	205.2.2381.004	Duck fence PVC	V1.1	1
17	D177-0203-00	206.2.2381.018	LOGO marquee	V1.1	1



No.	Part No.	Code No.	Name	Version	Qty
1	D177-0224-00	2.56.00.000036	High voltage label(s)	V1.1	1
2	D177-0222-00	205.1.1605A.040	Adapter decal	V1.1	1
3	D177-0217-00	205.2.2381.017	Fuse board decal	V1.1	1
4	D177-0235-00	205.2.2315.321	Mainboard cover decal	V1.1	1
5	D177-0216-00	205.2.2381.016	Wiring decal set	V1.1	1
6	D177-0215-00	205.2.2381.015	Counter PVC	V1.1	1
7	D177-0234-00	2.56.00.000127A	Power warning decal	V1.1	1
8	D177-0234-00	2.56.00.000127A	Power warning decal	V1.1	1
9	D177-0232-00	2.56.00.000125A	110V label	V1.1	1
10	D177-0223-00	2.56.00.000017	Power sw decal	V1.1	1
11	D177-0214-00	205.2.2381.014	110V nameplate	V1.1	1
12	D177-0231-00	205.2.2315.325	Caution label	V1.1	1
13	D177-0225-00	2.56.00.000037	High voltage label(l)	V1.1	1
14	D177-0226-00	2.56.00.000042	Service label(green)	V1.1	1
15	D177-0229-00	2.56.00.000095	Service label(orange)	V1.1	1
16	D177-0227-00	2.56.00.000067	Service label(yellow)	V1.1	1

9.3 Electrical Components



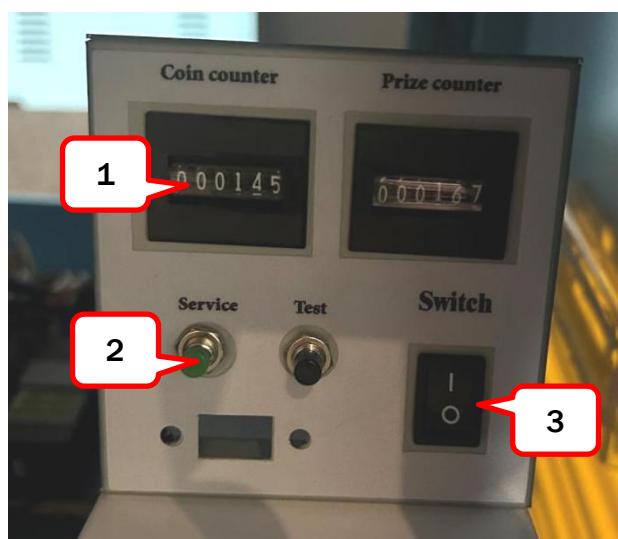
No.	Part No.	Code No.	Name	Version	Qty
1	D177-0407-00	2.20.02.020029	2835 white light strip	V1.1	78.74 in (2000mm)
2	D177-0203-00	206.2.2381.018	LOGO marquee	V1.1	1
3	D177-0407-00	2.20.02.020029	2835 white light strip	V1.1	59.05 in (1500mm)
4	D177-0407-00	2.20.02.020029	2835 white light strip	V1.1	51.18 in (1300mm)
5	D177-0428-00	2.20.02.020060	2835 blue light strip	V1.1	39.37 in (1000mm)
6	D177-0411-00	2.24.04.050045	Crane set	V1.1	1
7	D177-0408-00	2.20.02.020007	3535 RGB light strip	V1.1	165.35 in (4200mm)
8	D177-0408-00	2.20.02.020007	3535 RGB light strip	V1.1	165.35 in (4200mm)
9	D177-0407-00	2.20.02.020029	2835 white light strip	V1.1	39.37 in (1000mm)
10	D177-0404-00	2.23.06000022	Coin mechanism	V1.1	1
11	D177-0407-00	2.20.02.020029	2835 white light strip	V1.1	37.40 in (950mm)
12	D177-0407-00	2.20.02.020029	2835 white light strip	V1.1	11.81 in×3 (300mm×3)
13	D177-0407-00	2.20.02.020029	2835 white light strip	V1.1	15.74 in (400mm)
	D177-0407-00	2.20.02.020029	2835 white light strip	V1.1	15.74 in (400mm)
	D177-0407-00	2.20.02.020029	2835 white light strip	V1.1	19.68 in (500mm)
	D177-0407-00	2.20.02.020029	2835 white light strip	V1.1	25.59 in (650mm)



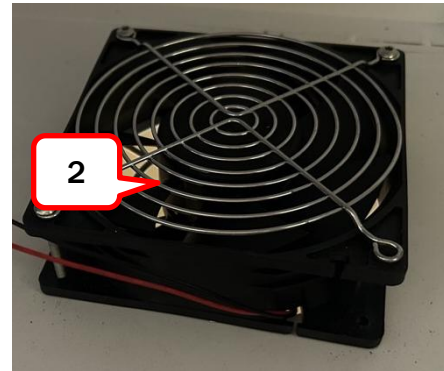
No.	Part No.	Code No.	Name	Version	Qty
1	D177-0402-00	2.17.04.000260	Top light board	V1.1	2
2	D177-0411-00	2.24.04.050045	Crane set	V1.1	1



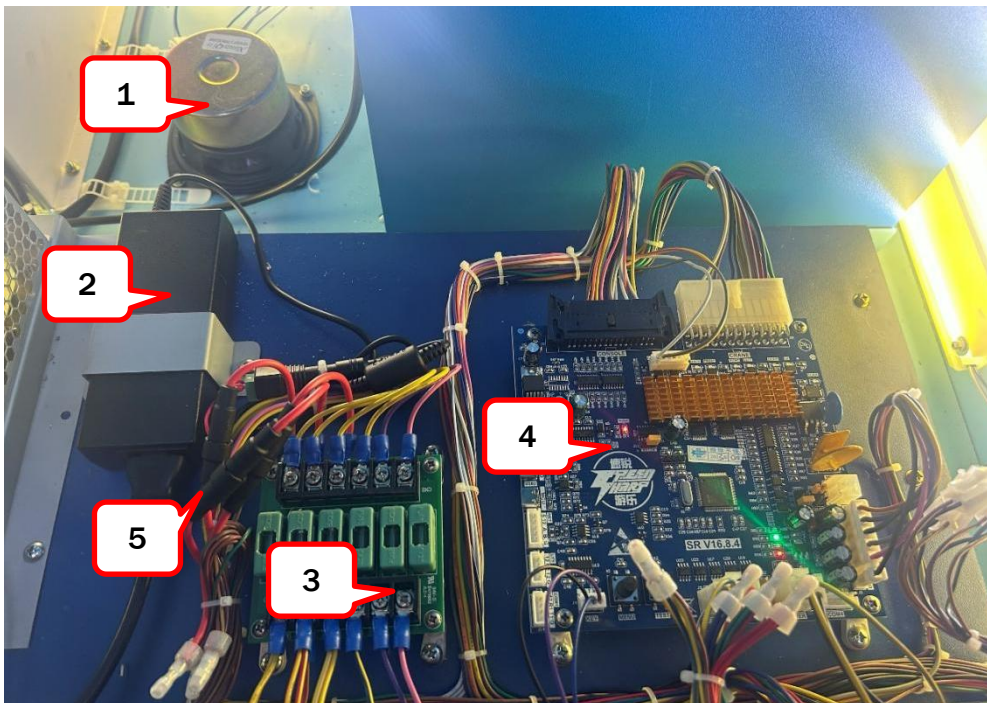
No.	Part No.	Code No.	Name	Version	Qty
1	D177-0425-00	2.24.04.050035	Joystick	V1.1	1
2	D177-0412-00	2.66.01.121180	Mini screen	V1.1	1
3	D177-0410-00	2.24.04.050029	Tap button	V1.1	1



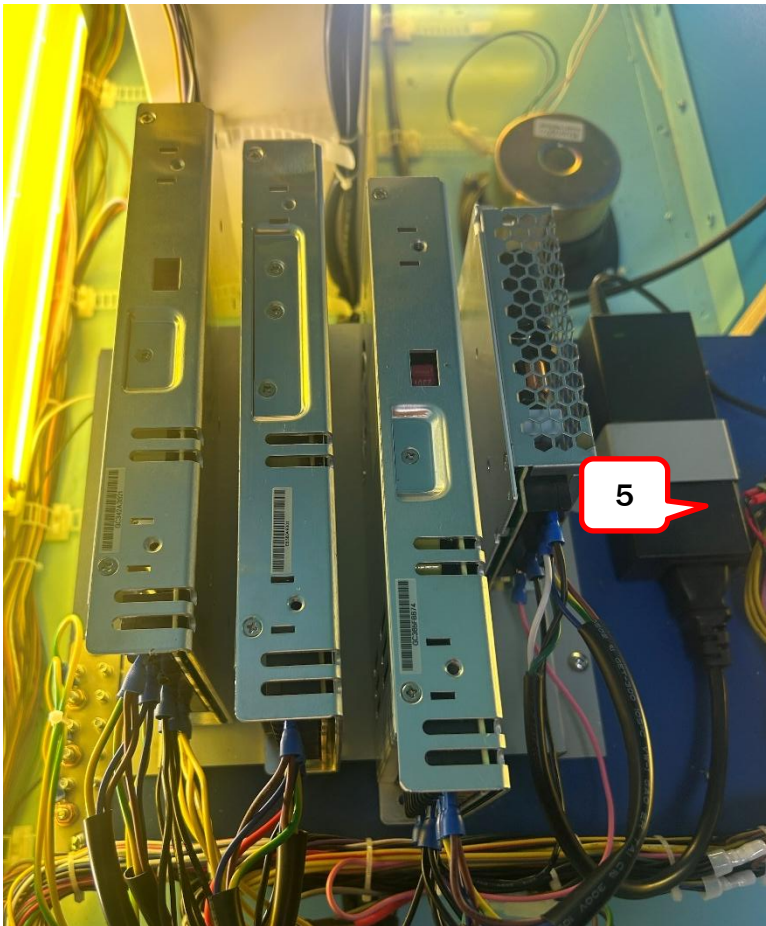
No.	Part No.	Code No.	Name	Version	Qty
1	D177-0418-00	2.30.00000006	Counter	V1.1	1
2	D177-0416-00	2.24.02.030002	Button(green)	V1.1	1
	D177-0417-00	2.24.02.050001	Button(black)	V1.1	1
3	D177-0420-00	2.26.01.000005	Rocket switch	V1.1	1



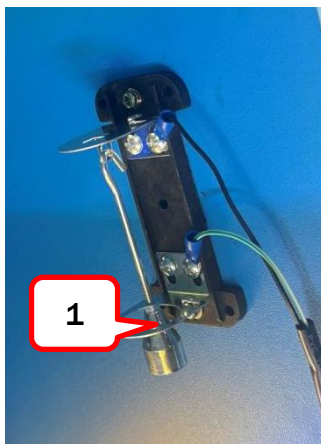
No.	Part No.	Code No.	Name	Version	Qty
1	D177-0405-00	2.32.01000005	Filter	V1.1	1
2	D177-0429-00	2.27.02.050017	Fan	V1.1	1
	D177-0430-00	2.27.02.000010	Fan net	V1.1	1



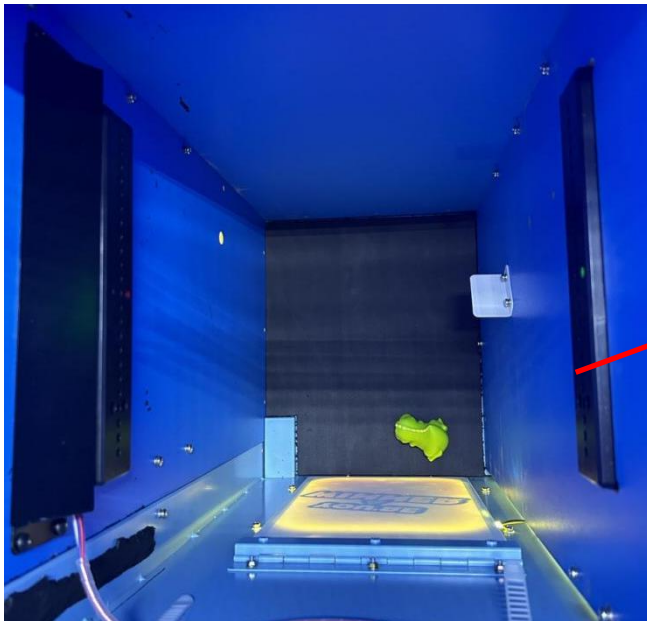
No.	Part No.	Code No.	Name	Version	Qty
1	D177-0406-00	2.28.01.000085	Speaker	V1.1	1
2	D177-0403-00	2.16.03.000076	Adapter	V1.1	1
3	D177-0419-00	2.17.14.000148D	Fuse board	V1.1	1
4	D177-0413-00	2.17.01.000039	Mainboard	V1.1	1
5	D177-0427-00	2.19.02.000024	Fuse holder	V1.1	1



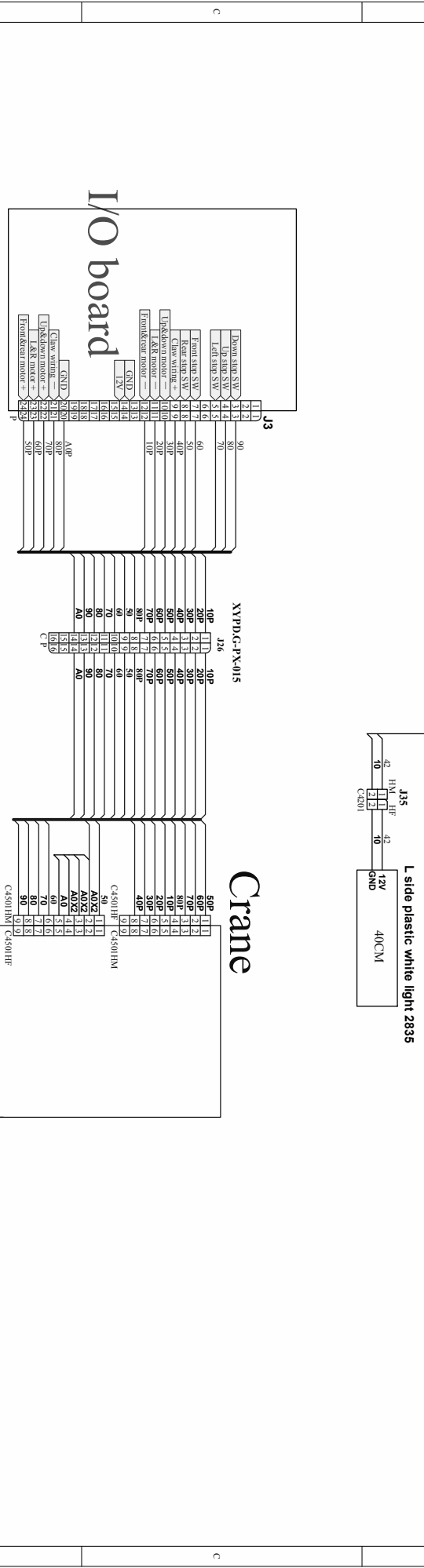
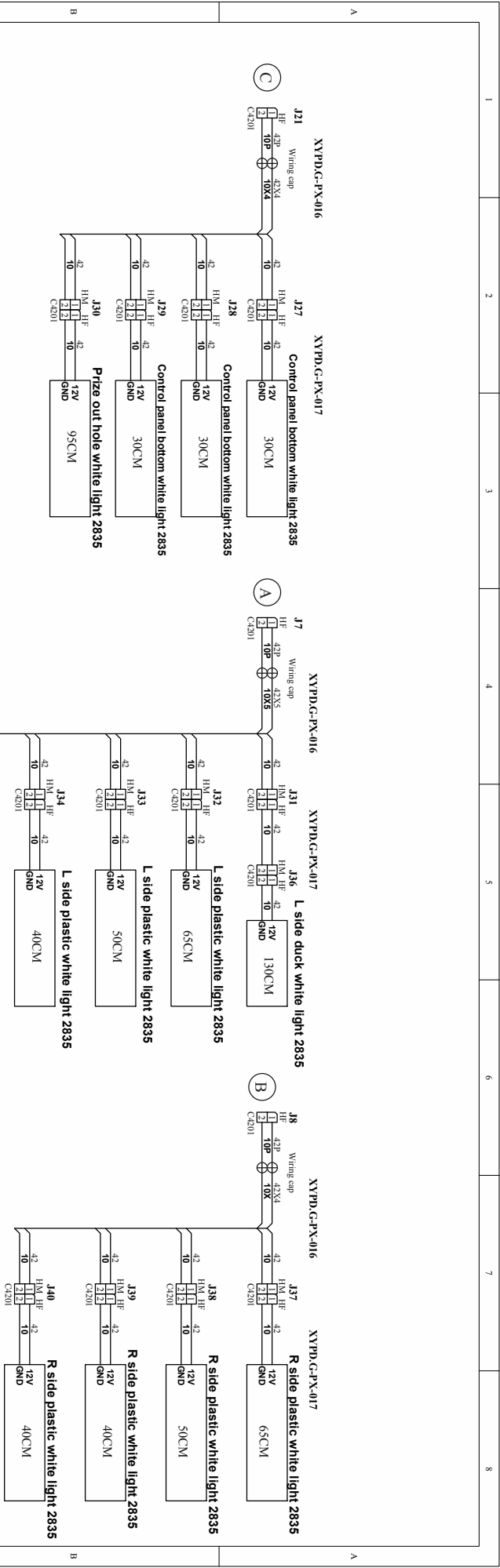
No.	Part No.	Code No.	Name	Version	Qty
1	D177-0401-00	2.16.02.000117	Power supply(12V)	V1.1	1
2	D177-0409-00	2.16.02.000121	Power supply(24V)	V1.1	1
3	D177-0423-00	2.16.02.000174	Power supply(48V)	V1.1	1
4	D177-0414-00	2.16.02.000124	Power supply(5V)	V1.1	1
5	D177-0403-00	2.16.03.000076	Adapter	V1.1	1
6	D177-0406-00	2.28.01.000085	Speaker	V1.1	1



No.	Part No.	Code No.	Name	Version	Qty
1	D177-0415-00	4.11.00000002	Tilt alarm	V1.1	1



No.	Part No.	Code No.	Name	Version	Qty
1	D177-0422-00	208.2.2305.010	Sensor set	V1.1	1



9	white	R	AVWG16 TL1007
8	grey	H	AVWG16 TL1007
7	violet	G	AVWG18 TL1007
6	blue	F	AVG20 TL1007
5	green	B	AVG22 TL1007
4	yellow	D	AVG24 TL1007
3	orange	C	AVG26 TL1007
2	red	A	AVG28 TL1007
1	brown	J	AVG30 TL1007
		K	AVG32 TL1007
		L	AVG34 TL1007
		M	AVG36 TL1007
		N	AVG38 TL1007
		O	AVG40 TL1007
		P	AVG42 TL1007
		Q	AVG44 TL1007
		R	AVG46 TL1007

Wire color code
Wire size code

1	2	3	4	5	6	7	8
---	---	---	---	---	---	---	---

Duck Party GMP Wiring Diagram 2

UNIS

Size: A3
Date: 2024-0-03
Ver: XYPD-G-PX-02
Path: