



# Hot Wheels King of the Road

HTW-65-4001 (4 players)

HTW-65-6001 (6 players)



ADRENALINE  
aagames.com

## Operation & Service Manual

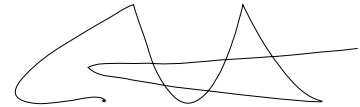
Version 3.3

**\* Read this manual before use**

# General Remark

---

If you encounter any difficulties or if you need support on how to update and/ or install your Hot Wheels King of the Road product, we invite you to contact your local distributor or reach us at [support@aagames.com](mailto:support@aagames.com) or by calling our support line +1-450-824-1671



Adrenaline Amusements Team

Adrenaline Amusements  
2273 Antonio-Hérroux street  
Terrebonne, QC  
Canada  
J6X 4R3

# Table of Contents

---

## Contents

<b>General Remark</b> .....	<b>2</b>
<b>Table of Contents</b> .....	<b>3</b>
<b>Chapter 01 - Preface</b> .....	<b>6</b>
Precaution for Game Operation.....	6
Safety.....	7
Environmental Conditions.....	7
Operating & Voltage.....	7
<b>Chapter 02 - Game Features</b> .....	<b>8</b>
How to Play .....	8
<b>Chapter 03 – Unit Features</b> .....	<b>9</b>
Hardware Features.....	9
Cabinet Facts – 6 players version.....	9
Cabinet Facts – 4 players version.....	10
<b>Chapter 04 – Unit Installation</b> .....	<b>11</b>
How to assemble your Hot Wheels King of the Road unit 6 players version .....	11
How to assemble your Hot Wheels King of the Road unit 4 players version .....	14
How to assemble the header of your Hot Wheels King of the Road unit (4 players & 6 players version).....	17
<b>Chapter 05 – Operator Menu</b> .....	<b>18</b>
Operator Menu .....	18
Payout Structure – 6 players version .....	20
Payout Structure – 4 players version .....	21
<b>Chapter 06 – Service &amp; Repair</b> .....	<b>22</b>
Computer Connections .....	22
Troubleshooting .....	23

Video Troubleshooting.....	23
Audio Troubleshooting .....	23
RGB Led Troubleshooting.....	24
Wireless Internet Configuration.....	28
Operator Settings keeps resetting .....	29
Computer not powering at boot.....	30
<b>Chapter 07 - Parts .....</b>	<b>34</b>
Printed Panels – 6 players version .....	34
Printed Panels – 4 players version .....	35
Front of Small Cabinets .....	35
Metal Parts – 6 players version.....	36
Metal Parts – 4 players version.....	37
Small Cabinet Parts .....	38
Monitor Replacement Parts.....	39
Electronics .....	40
Cameras.....	41
Camera kit.....	<b>Error! Bookmark not defined.</b>
Steering wheels.....	42
Steering Mechanism Assembly Parts available from Suzohapp .....	42
Header: HTW-07-0060-KIT .....	44
Side LEDs – 6 players version .....	45
Side LEDs – 4 players version .....	46
Misc. Parts.....	47
Wiring Harnesses.....	47
Cabling.....	48
Hardware Kit.....	48
<b>Chapter 08 – Diagrams &amp; Schematics .....</b>	<b>49</b>
Speakers Wiring Colors – 6 players version .....	51
Speakers Wiring Colors – 4 players version .....	52

Power Distribution Schematics .....	53
Tray Assembly Schematics .....	55
Fuse Holders Schematics.....	56
RGB LED Schematics.....	57
<b>Chapter 09 – Software Recovery .....</b>	<b>58</b>
<b>Chapter 10 – Card Reader .....</b>	<b>59</b>
<b>Limited Warranty Policies .....</b>	<b>60</b>

# Chapter 01 - Preface

---

***Please read this page before preparing your Hot Wheels King of the Road Arcade product for game play.***

The following safety instructions apply to all game operators and service personnel. Specific warnings and cautions will be included throughout this manual.

Use the following safety guidelines to help protect the system from potential damage and to ensure your personal safety:

- Electronic components in the game cabinet run on 110V AC 60Hz (220V/ 50Hz in most of Europe, the Middle East and the Far East delivered units).
- To help prevent electric shock, plug the system into a properly grounded power source. These cables are equipped with 3-prong plugs to help ensure proper grounding. Do not use adapter plugs or remove the grounding prong from a cable. If you must use an extension cable, use a 3-wire cable with properly grounded plugs. We do recommend a 15A rated current or higher power cord.
- To help protect your system from sudden increases and decreases in electrical power, use a surge suppressor, line conditioner or Uninterruptible Power Supply (UPS).
- Be sure nothing rests on the system's cables and that the cables are not located where they can be stepped on or tripped over.
- Keep your system far away from radiators and other heat sources.
- Do not block cooling vents.

## **Precaution for Game Operation**

Adrenaline Amusements Inc. assumes no liability for injuries incurred while playing our games.

Operators should be aware that certain health and physical conditions may make people susceptible to injury when playing video games.

## Safety

---



To avoid electrical shock, unplug the cabinet before performing installation or service procedures.

If a power cord is damaged, it must be replaced by the equivalent power cord available from your distributor.

---



Adrenaline Amusement Inc. assumes no liability for any damages or injuries incurred while setting up or servicing the cabinet. Only qualified service personnel should perform installation or service procedures.

---

## Environmental Conditions

Cabinet is intended for indoor use only. Be sure to keep the cabinet dry and maintain operating temperatures of 59° - 86°F (15° - 30°C).

## Operating & Voltage

Voltage	Operating
110V AC	4.0 AMP
220V AC	2.0 AMP

# Chapter 02 - Game Features

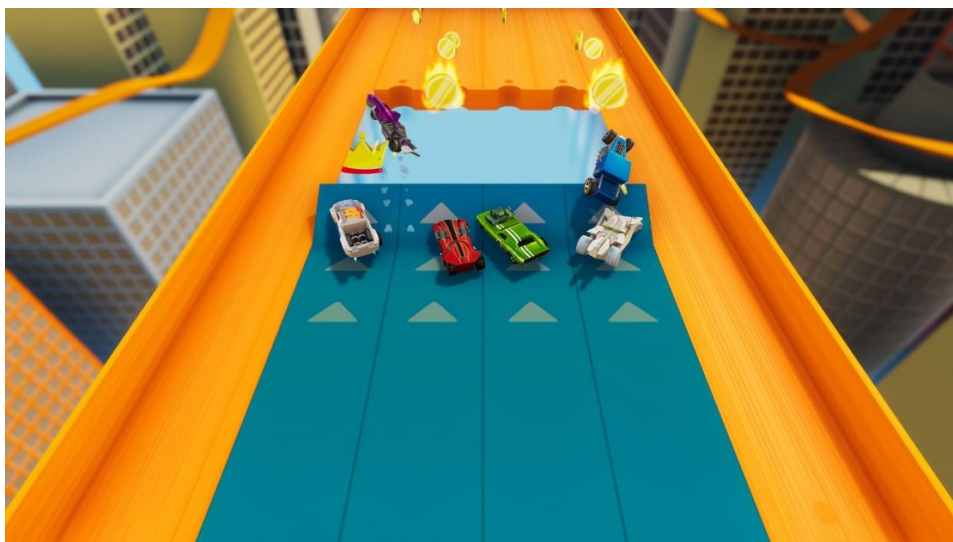
---

Are you a skilled driver?

Then show us your racing abilities in the virtual world of Hot Wheels King of the Road.

## How to Play

- Use the steering wheel to navigate and avoid obstacles
- Use the pedal to control your velocity
- Collide with other players to deviate them from their path
- Collect coins to win more tickets



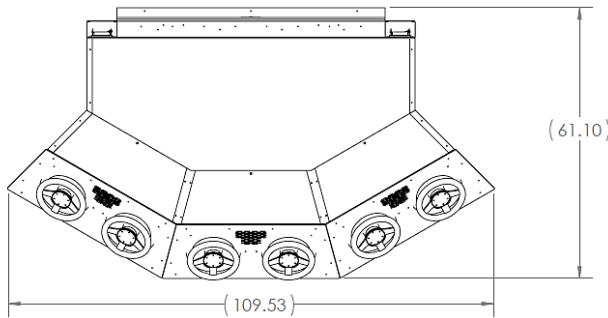
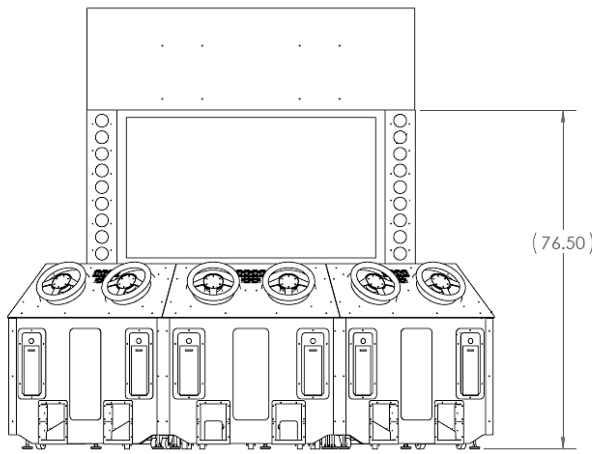


# Chapter 03 – Unit Features

## Hardware Features

- 4 to 6 Players Game
- Steering wheels & accelerator pedals for each player
- 65 inches LCD Screen

## Cabinet Facts – 6 players version

<u>Cabinet Dimensions</u>		
		<b>Height = 76.50" [1943.1mm]</b>
		
<b>Depth = 61.10" [1551.94mm]</b>		<b>Width = 109.53" [2782.06mm]</b>
<u>Shipping Dimensions</u>		
<b>Width = 41"</b>	<b>Depth = 78"</b>	<b>Height = 84½"</b>
<b>Width = 45"</b>	<b>Depth = 80"</b>	<b>Height = 51"</b>
<b>Weight = 1700 lbs</b>		

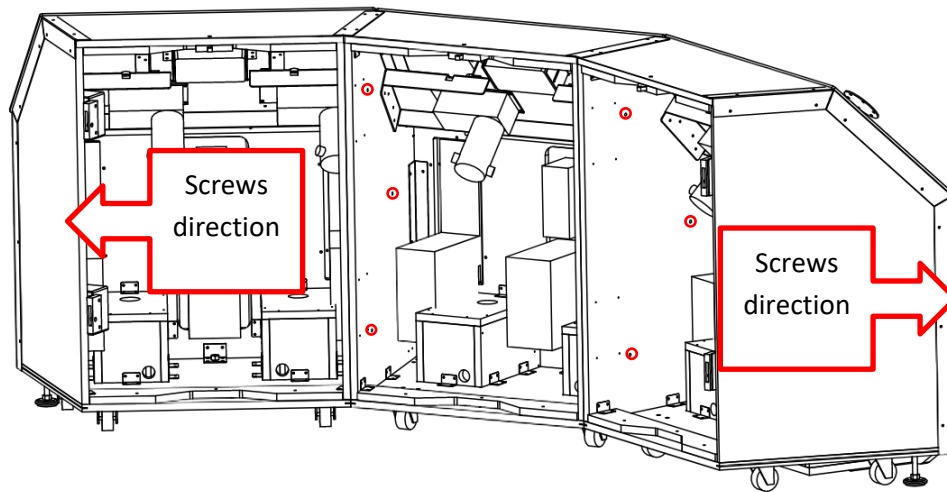
### Cabinet Facts - 4 players version

<u>Cabinet Dimensions</u>		
	Height = 76.70" [1948.18mm]	
<b>Depth = 55.30" [1404.62mm]</b>	<b>Width = 77.60" [1971.04mm]</b>	
<u>Shipping Dimensions</u>		
<b>Width = 41"</b> <b>Width = 45"</b>	<b>Depth = 78"</b> <b>Depth = 80"</b> <b>Weight = 1700 lbs</b>	<b>Height = 84½"</b> <b>Height = 50"</b>

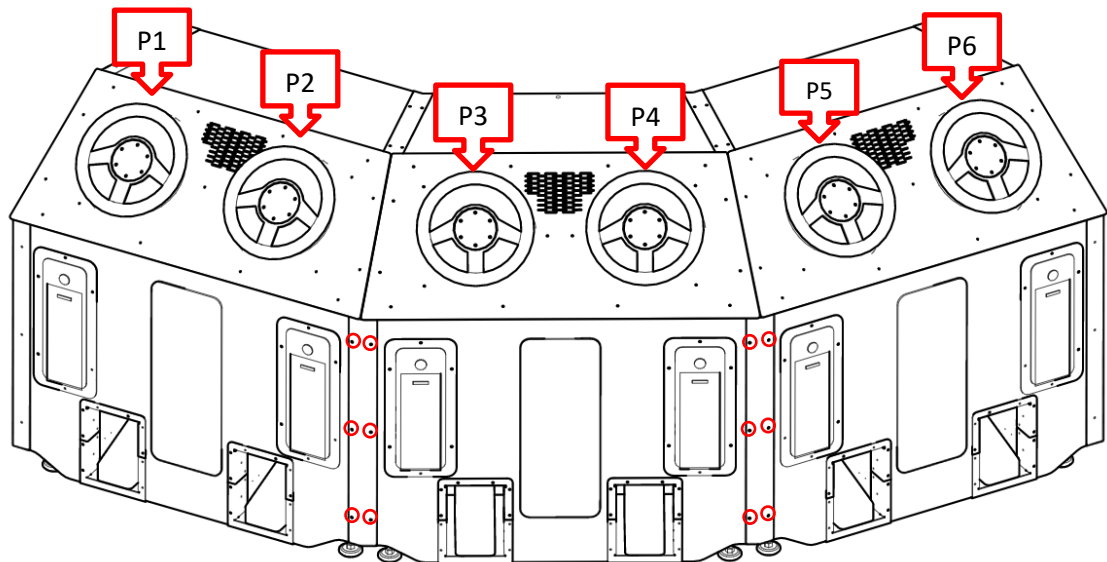
# Chapter 04 – Unit Installation

## How to assemble your Hot Wheels King of the Road unit 6 players version

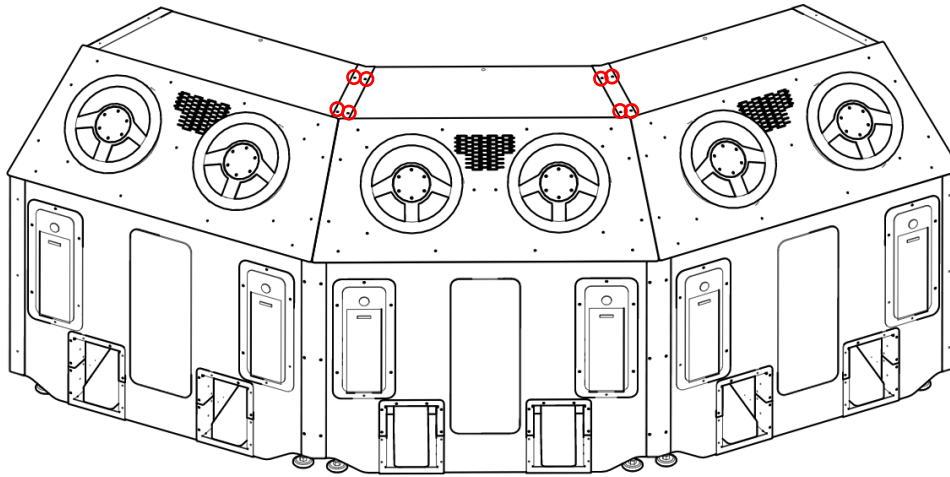
- 1) Position all dash assemblies together. Secure their position with Philipps 10-24 x 1¼ bolts between each dash assembly. Make sure to screw from towards the exterior



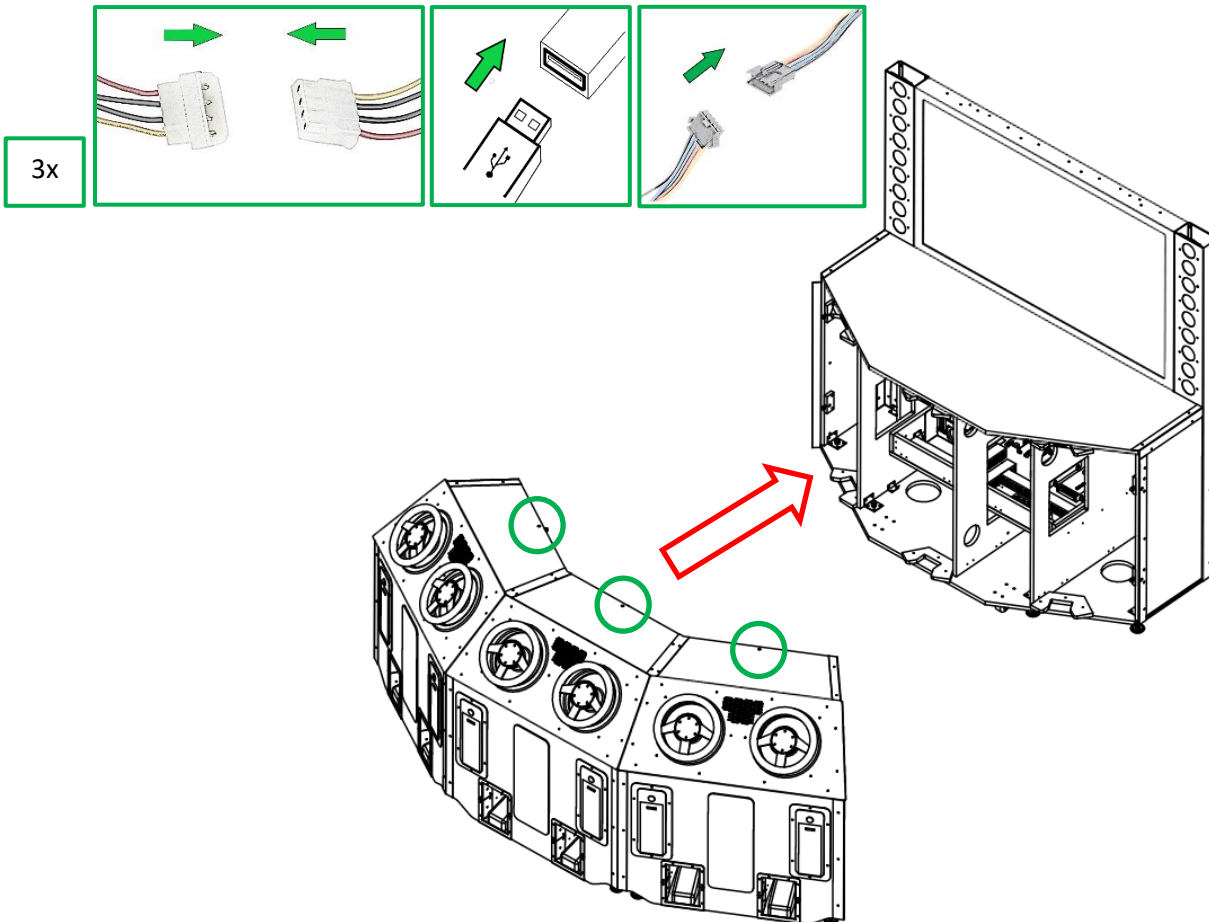
- 2) Between each dash's front, install metal part HTW-01-0009 (2x) with Philipps 10-24 x ¾ machine screws



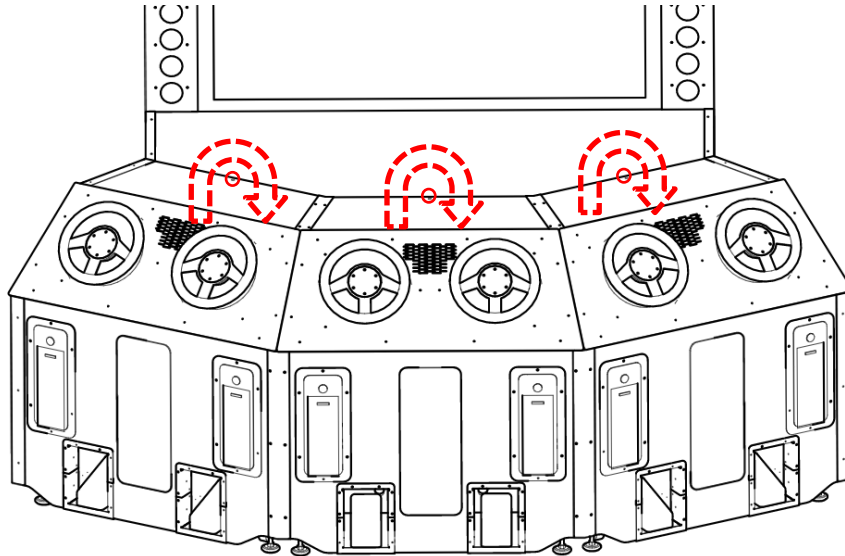
- 3) Between each dash's top, install metal part HTW-01-0008 (2x) with Philipps 10-24 x ¾ machine screws



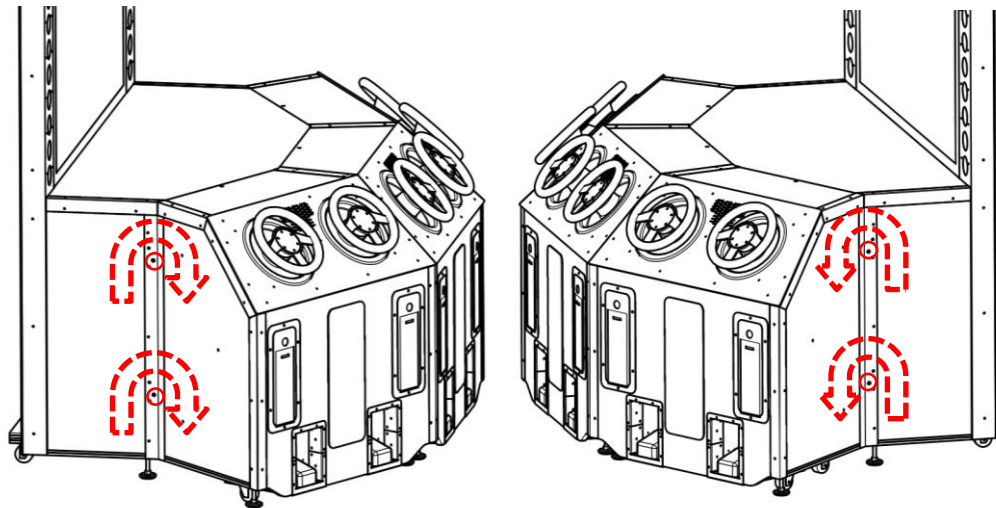
- 4) Move all dash assemblies towards the large cabinet assembly  
For each of the cabinets: Connect all cables coming from the cabinet to the screen module



- 5) Using a 5/16" hexagonal key, turn the draw latches clockwise in order to connect the dash assemblies to the large cabinet assembly.

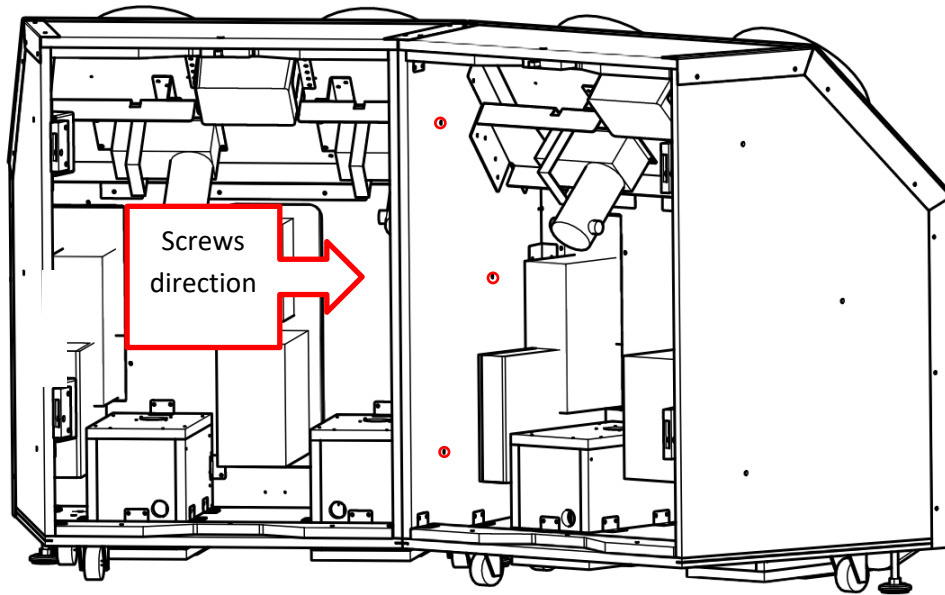


- 6) Install side brackets HTW-01-0058 (R/H) & HTW-01-0059 (L/H) with 3 Philipps 10-24 x 3/4 machine screws for each side  
Using a 5/16" hexagonal key, turn the draw latches on each side of the large cabinet.
- Turn the draw latches clockwise for the left side
  - Turn the draw latches counterclockwise for the right side

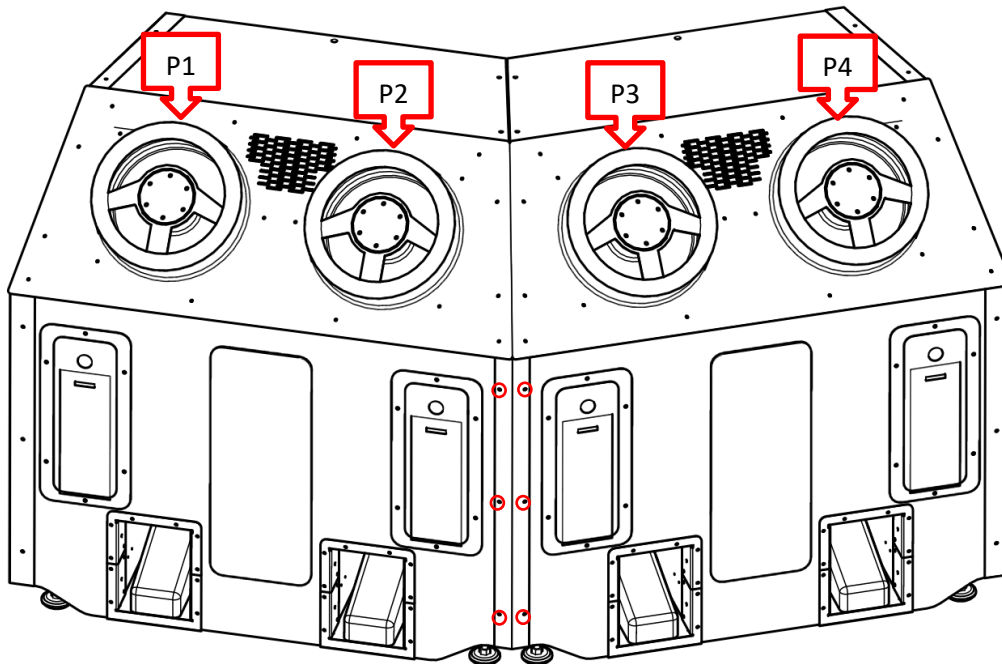


## How to assemble your Hot Wheels King of the Road unit 4 players version

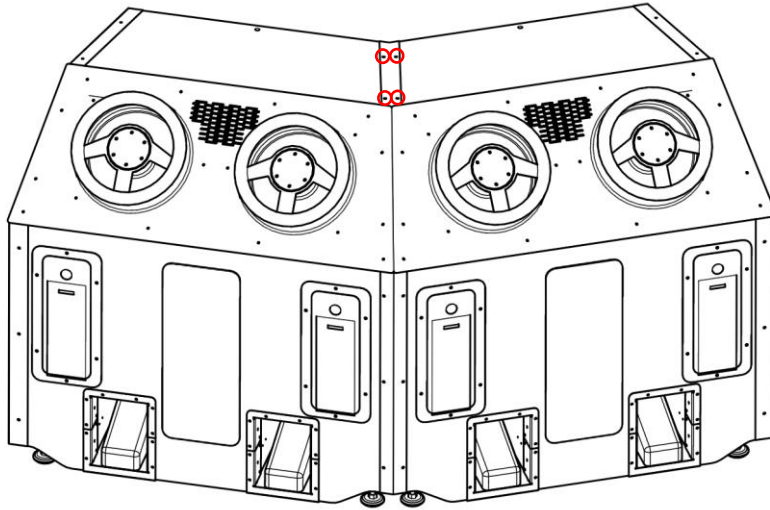
- 1) Position all dash assemblies together. Secure their position with Philipps 10-24 x 1¼ bolts between each dash assembly. Make sure to screw from towards the exterior



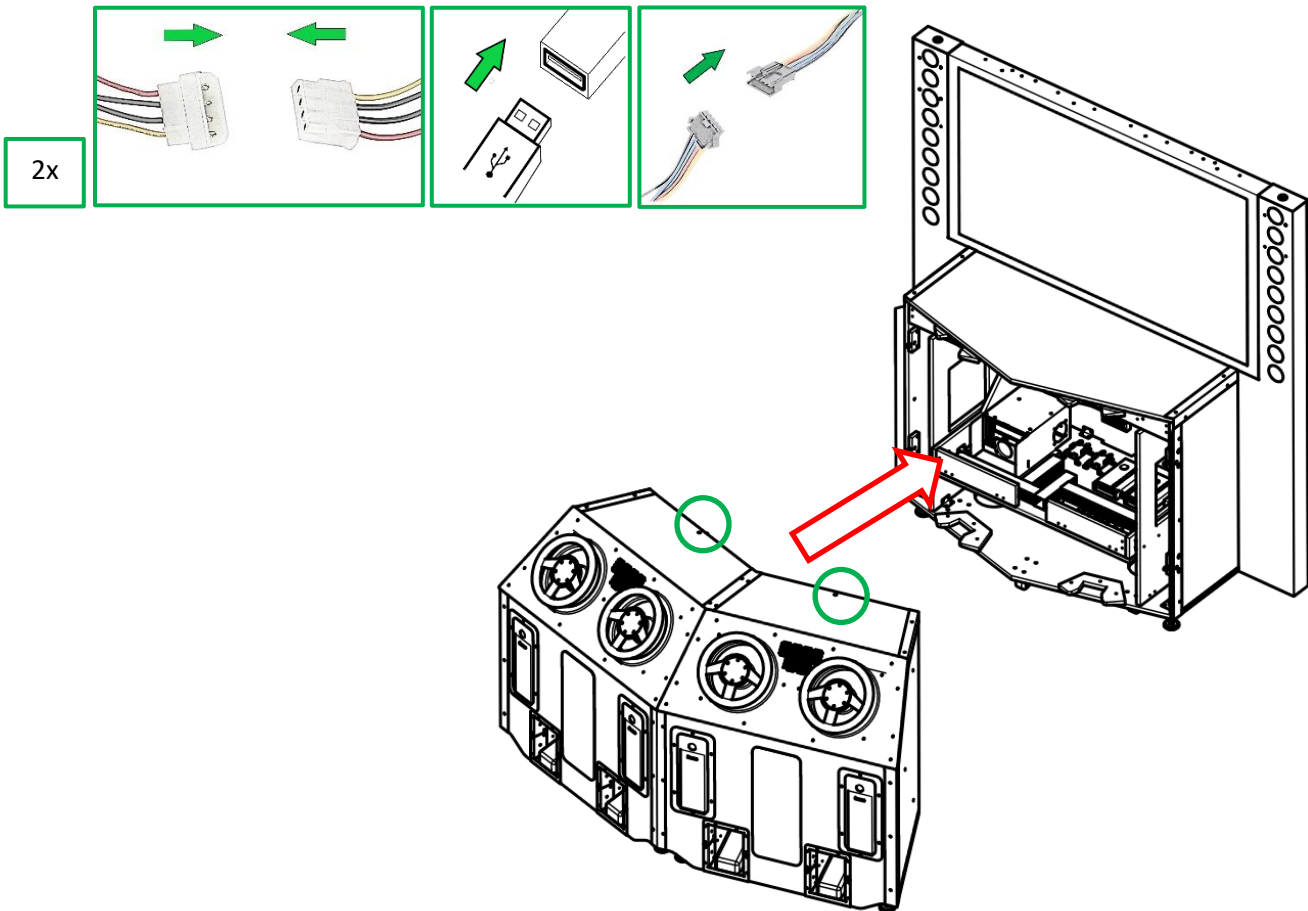
- 2) Between each dash's front, install metal part HTW-01-0009 with Philipps 10-24 x ¾ machine screws



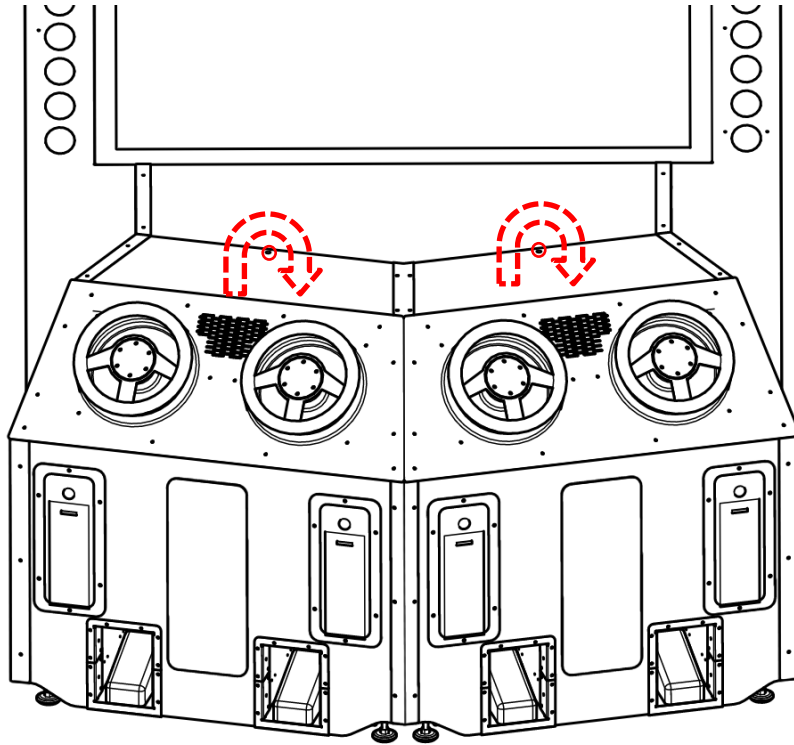
- 3) Between each dash's top, install metal part HTW-01-0008 with Philipps 10-24 x ¾ machine screws



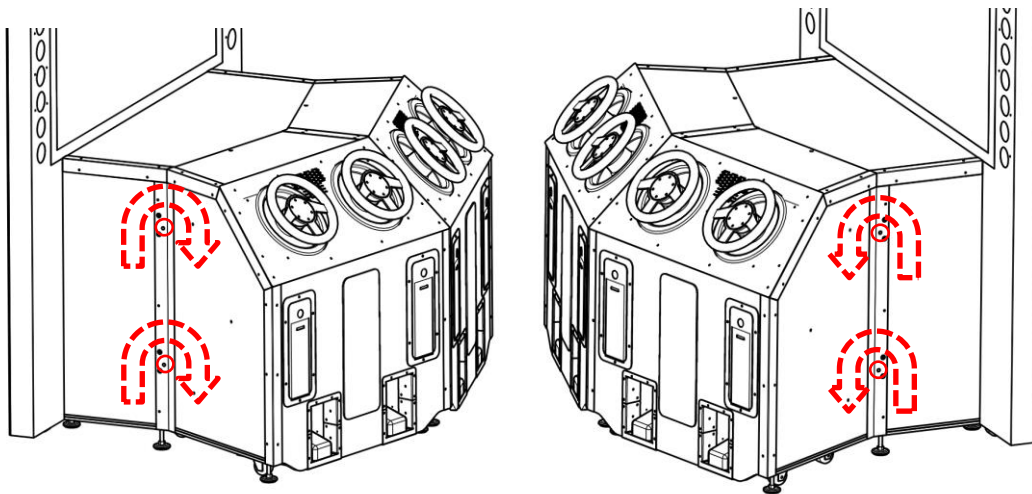
- 4) Move all dash assemblies towards the large cabinet assembly  
For each of the cabinets: Connect all cables coming from the cabinet to the screen module



- 5) Using a 5/16" hexagonal key, turn the draw latches clockwise in order to connect the dash assemblies to the large cabinet assembly.





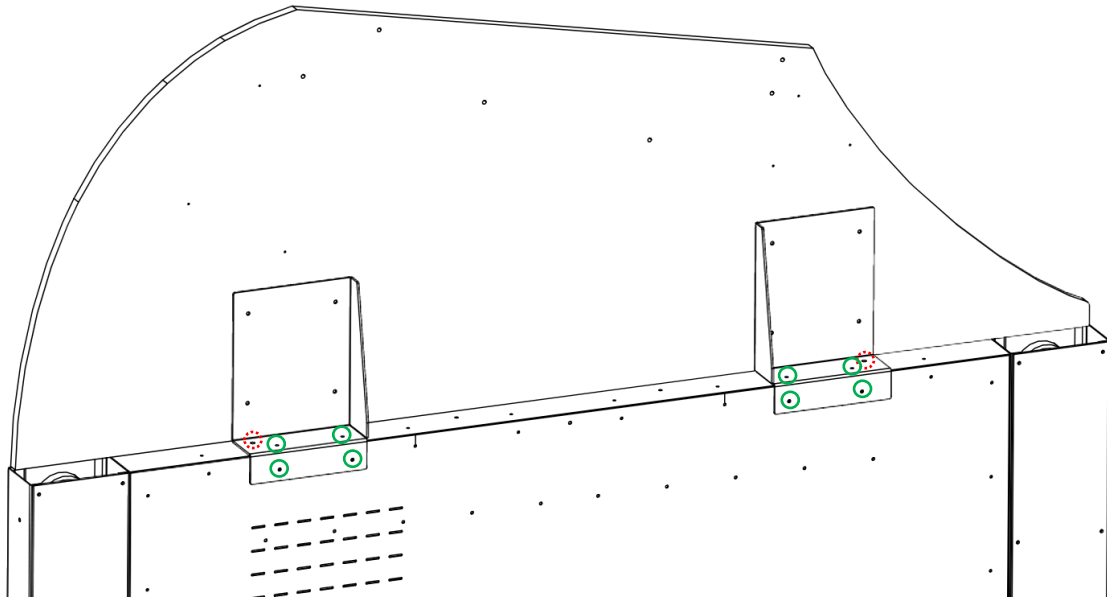
- 6) Install side brackets HTW-01-0068 (R/H) & HTW-01-0069 (L/H) with 3 Philipps 10-24 x 3/4 machine screws for each side  
Using a 5/16" hexagonal key, turn the draw latches on each side of the large cabinet.
- Turn the draw latches clockwise for the left side
  - Turn the draw latches counterclockwise for the right side





## How to assemble the header of your Hot Wheels King of the Road unit (4 players & 6 players version)

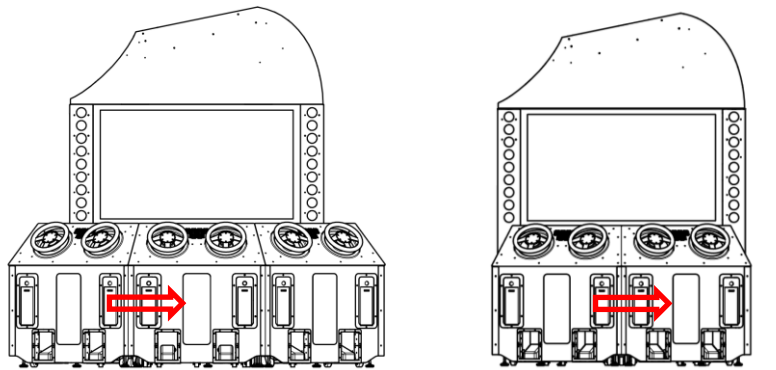
- 7) To install the header, position both header brackets
- 1 hex head  $\frac{1}{4}$ -20 x  $\frac{3}{4}$ " bolts for each bracket 
  - 4 Philipps pan head 8-32 x  $\frac{3}{4}$  screws for each bracket 



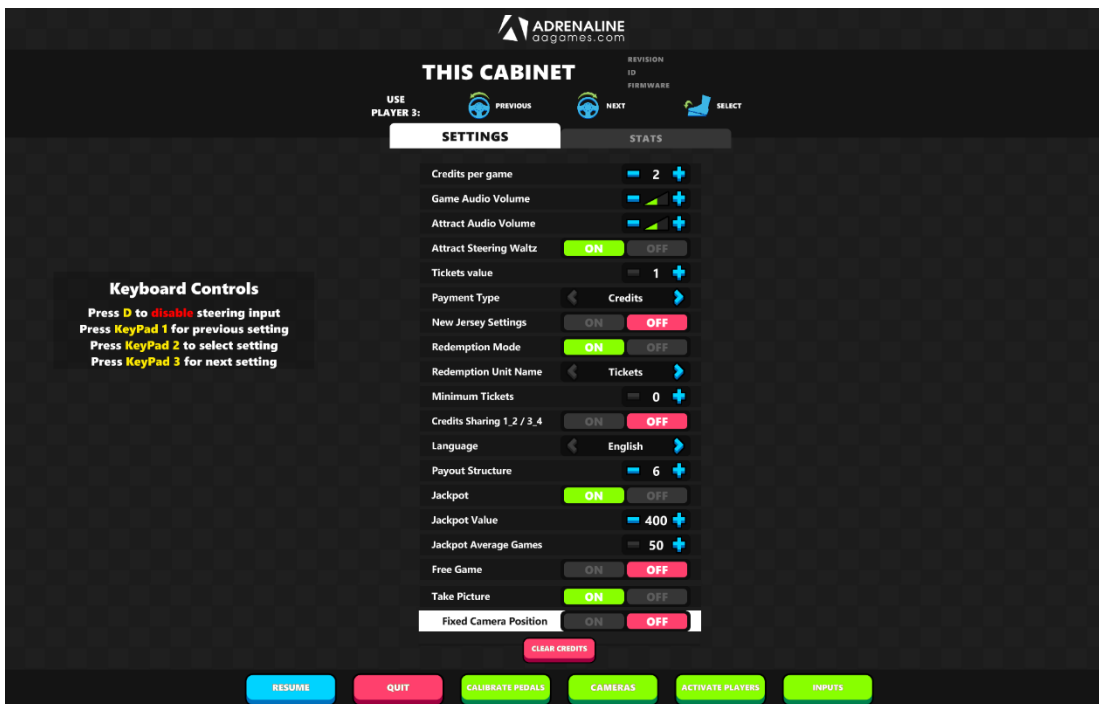
# Chapter 05 – Operator Menu

## Operator Menu

Access the Operator Menu by pressing the white operator menu button behind the center door of player 3's cabinet.



Navigate through the menu using player 3's steering wheel and pedal



<u>Operator Menu</u>	<u>Values</u>	<u>What It Does</u>
Credits Per Game	1-20	Adjusts the number of credits required to play. "0" sets the unit in free play mode.
Game Audio Volume	0-20	Adjusts the in-game audio volume. "0" will mute the game.
Attract Audio Volume	0-20	Adjusts the volume of the voice attract loop. "0" will mute the voice
Attract Steering Waltz	On/Off	
Ticket Value	1-2	Adjusts the value of physical tickets. Physical tickets are either worth "1" ticket or "2" tickets.
Payment Type	Credit / Card	Changes the credit type. "Credits" = Coins and "Card" = Card Reader. This will change the in-game text accordingly.
New Jersey Settings	On/Off	If set to On, a message will be displayed if more than 40 credits are inserted.
Redemption Mode	On/Off	Adjusts the redemption availability
Redemption Unit Name	Tickets/Coupon	Adjusts the in-game text accordingly
Minimum Tickets	0-20	Adjusts the minimum number of tickets dispensed per play.
Credit Sharing	On / Off	Adjusts the credit sharing option between each player. (Off: Sharing Disabled // On: Sharing Enabled) <b>If you have Card Readers (2X) please use OFF.</b>
Language	English/Français	Switches the game and the menu's language
Payout Structure	1-8	Changes the number of tickets won by the winner of the game (see payout structure table below)
Jackpot	On/Off	Enables a bonus value of tickets when the winner reaches 200 coins
Jackpot Value	100-1000	Amount of tickets won by the winner when jackpot is enabled. This value must be greater than the number of tickets already allowed in the payout structure
Jackpot Average Games	50-1000	Average number of games needed to reach the jackpot. This is a difficulty setting that is computed with the last 1000 games.
Free Game	On / Off	Gives the winner the opportunity to play a free game
Take Picture	On / Off	Takes pictures of each player at the start of the game
Clear Credits		Resets the Inserted credits to 0 if more than 40 credits are entered.
Resume Game		Exits the Operator Menu and returns to the game.
Quit Game		Exits the game and returns to the Windows desktop.
Calibrate Pedals		Displays the previous errors
Activate Players		Exits the Operator Menu and returns to the game.

## Payout Structure – 6 players version

Here are the number of tickets won by the winner of the game for each payout structure

Number of Players	Payout 1	Payout 2	Payout 3	Payout 4	Payout 5	Payout 6	Payout 7	Payout 8
<b>Single-Player Game</b>	5 Tickets	20 Tickets	25 Tickets	50 Tickets	75 Tickets	100 Tickets	100 Tickets	150 Tickets
<b>2-Players Game</b>	5 Tickets	20 Tickets	25 Tickets	50 Tickets	75 Tickets	100 Tickets	100 Tickets	150 Tickets
<b>3-Players Game</b>	10 Tickets	25 Tickets	45 Tickets	75 Tickets	100 Tickets	125 Tickets	150 Tickets	200 Tickets
<b>4-Players Game</b>	25 Tickets	30 Tickets	60 Tickets	100 Tickets	125 Tickets	150 Tickets	250 Tickets	300 Tickets
<b>5-Players Game</b>	35 Tickets	50 Tickets	75 Tickets	125 Tickets	150 Tickets	200 Tickets	350 Tickets	400 Tickets
<b>6-Players Game</b>	50 Tickets	100 Tickets	150 Tickets	200 Tickets	300 Tickets	400 Tickets	500 Tickets	750 Tickets
<b>Coins per ticket</b>	50 Coins	35 Coins	25 Coins	20 Coins	15 Coins	10 Coins	10 Coins	10 Coins

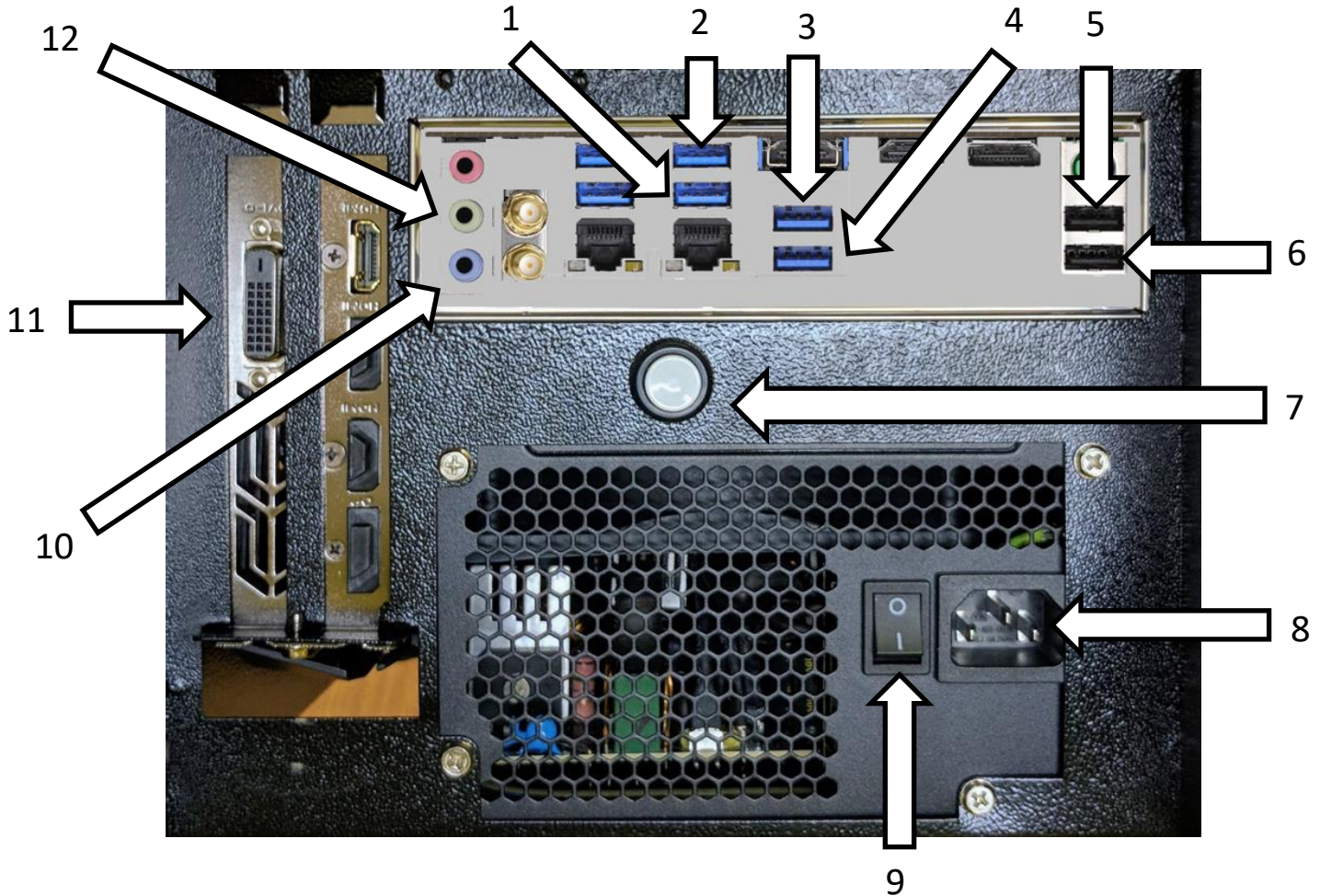
## Payout Structure – 4 players version

Here are the number of tickets won by the winner of the game for each payout structure

Players	Payout 1	Payout 2	Payout 3	Payout 4	Payout 5	Payout 6	Payout 7	Payout 8
Single-Player Game	5 Tickets	20 Tickets	25 Tickets	50 Tickets	50 Tickets	75 Tickets	75 Tickets	100 Tickets
2-Players Game	10 Tickets	20 Tickets	25 Tickets	50 Tickets	50 Tickets	75 Tickets	75 Tickets	150 Tickets
3-Players Game	25 Tickets	25 Tickets	45 Tickets	75 Tickets	100 Tickets	125 Tickets	150 Tickets	200 Tickets
4-Players Game	50 Tickets	50 Tickets	75 Tickets	125 Tickets	150 Tickets	200 Tickets	350 Tickets	400 Tickets
coins per ticket	50 Coins	35 Coins	25 Coins	20 Coins	15 Coins	10 Coins	10 Coins	10 Coins

# Chapter 06 – Service & Repair


## Computer Connections



<b>No.</b>	<b>Description</b>
1	USB Port to USB Hub (
2	USB Port to Windows License Dongle
3	USB Port to RGB Controller
4	USB Port to I/O Board
5	USB Port to I/O Board
6	USB Port to I/O Board
7	Power Button
8	AC Inlet Power Supply
9	AC Power Switch
10	Blue Audio Jack 3.5 mm for Speaker 3
11	DVI Port for 65" Monitor
12	Green Audio Jack 3.5 mm for Speakers 1 & 2

## Troubleshooting

\* **NOTE: When requesting a warranty replacement, you will be asked to give the unit's serial number from the back of the unit.**

<b>Video Troubleshooting</b>	
<b>No Picture or Display Problem</b>	There might have loose or faulty connections between the monitor and the computer. Make sure the DVI cable is connected properly in the computer's video card and in the monitor connector.
	Verify that the Computer is powered on. The fan on the side of the computer case should be spinning as a reference, if it's not spinning press the Power Button on the front of the computer.
<b>Audio Troubleshooting</b>	
<b>Low Volume / No Sound</b>	Increase the volume in the game by pressing the Operator Button and adjusting the volume options in the Operator Menu. You might also Quit the game to Windows desktop and increase the volume via the  Speaker icon on the bottom right of your screen.
	Verify the wirings behind the speakers and the amplifiers. Verify that the 1/8" audio jack is plugged in the computer's sound input jack and that the other end RCA's are plugged in the sound amplifier.

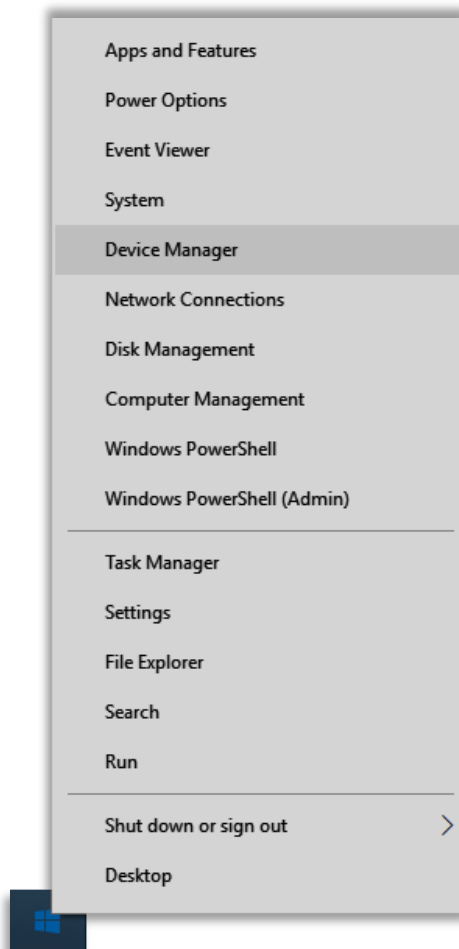
## RGB LED Troubleshooting

If the RGB LEDs are not working properly verify that the RGB LED Controller is connected on a valid COM Port.

Press the Operator Button and Quit/Exit the game to Windows Desktop.

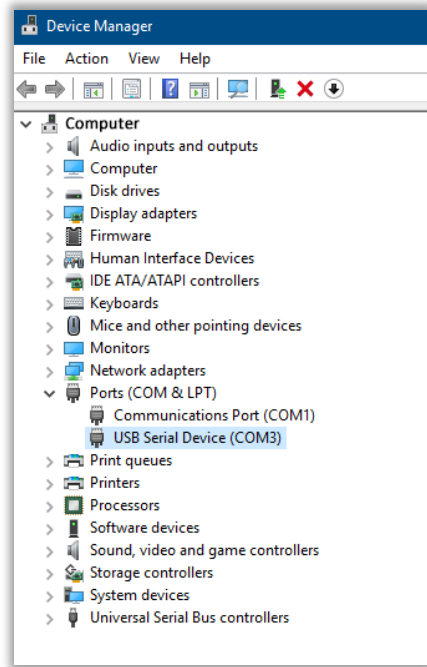
Connect a USB mouse.

Right-click on the windows flag on the bottom left corner and select Device Manager.



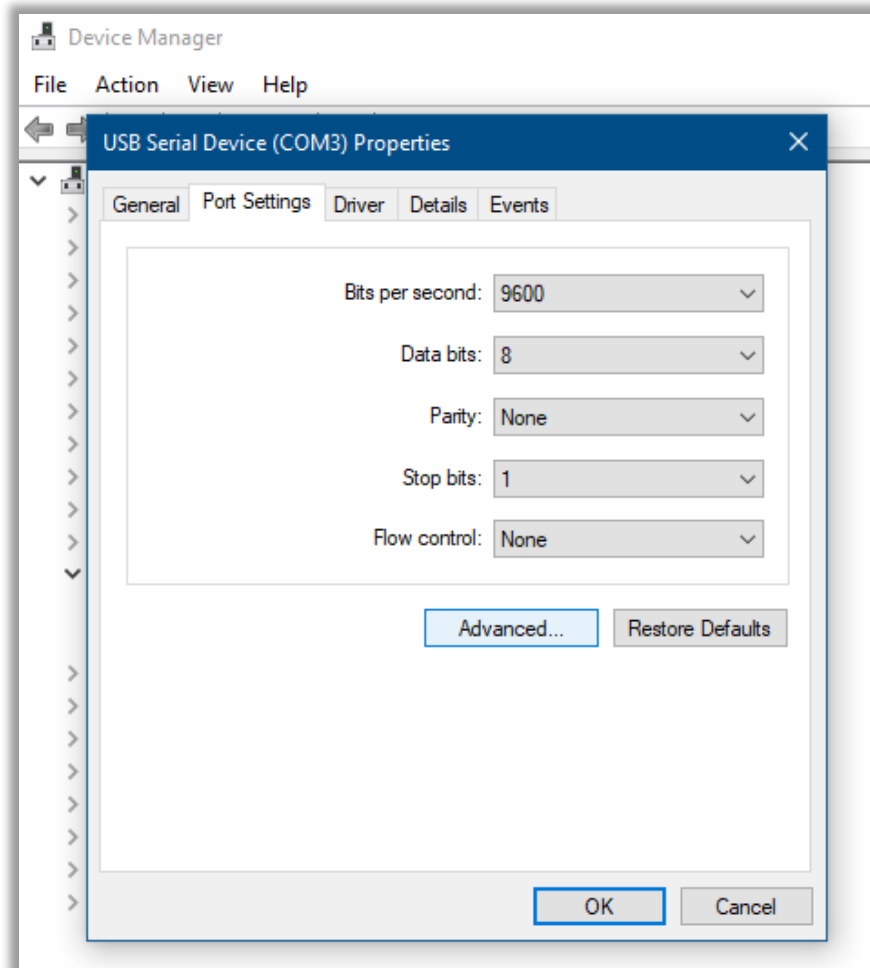


Expand the “Ports (COM & LPT)” line by clicking on the >.



Verify that the “USB Serial Device” is set between COM2 to COM9.

If it's outside this range, double-click on it to open its properties.  
Select the "Port Settings" Tab.  
Click on "Advanced..."

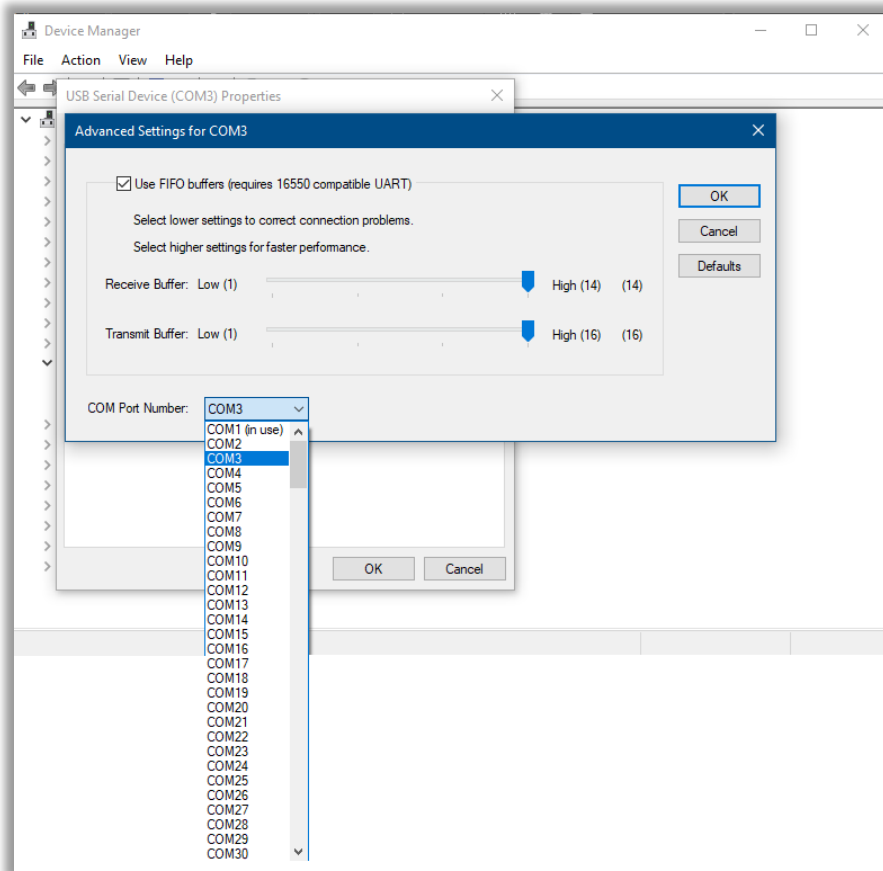


Click on the COM Port Number scrolling menu and select COM9.

Click on OK.

Click on OK again.

Close the Device Manager window and restart Windows.



Closes all apps, turns off the PC and then turns it on again.

Restart



## Wireless Internet Configuration

Your network can be configured via Ethernet cable or Wireless.

If you have an Ethernet cable available to be plugged in, insert it into the motherboard LAN RJ45 connector.

If not, here's how to configure your wireless network with your own existing Wi-Fi network.

-Start the unit.


-There will be Adrenaline Amusements wallpaper with a 150 seconds delay before the attract mode shows up. It gives enough time for a wireless network to connect.

*(This delay will be present on each reboot if you don't connect your unit to the Internet)\*.*

-Open the service door and press the Operator button.

-Choose Exit/Quit to Windows.

-Connect the provided USB hub and into it the USB keyboard and mouse.

- Open Connect to a Network by clicking the network icon () in the lower right corner of the screen.

-In the list of networks, click the network you want to connect to and click connect.

-Enter your security key.

-Once connected, double-click the GameLauncher shortcut on the desktop.

Having your unit connected to the Internet includes free software live update!

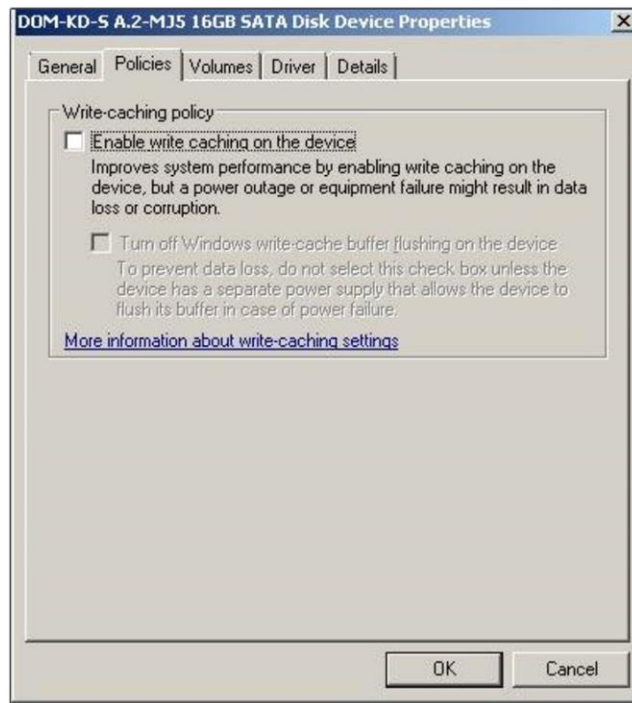
\*If you do not connect your unit to the Internet, you can double-click the Disable\_Network shortcut on the Windows desktop to bypass the 150seconds Internet lookup delay.

## Operator Settings keeps resetting

**Operator Settings keeps resetting back to default values after powering off the breakers.**

The Windows & SSD Device write cache needs to be disabled:

- Exit the game to Windows.
- Press on Start
- Right click on My Computer
- Choose Properties
- Click on Device Manager
- Expand Disk Drives
- Double click the SSD Hard Drive 60Gb or 120Gb Device (Not the USB drive if there is one)
- Go to Policies
- Remove the check in front of “Enable Write caching on the device” as seen below, press OK and then YES to reboot the computer. If it doesn’t ask to reboot the computer you need to do it by pressing Start, Restart.




## Computer not powering at boot

If your computer is not powering on by itself at boot you'll need to verify the Bios Setting.

- Power off the computer.
- Plug a USB keyboard and a USB mouse.

-Press the power button on the computer.

Press and hold  on the keyboard until you see the Bios screen.



-Press on F6 or using a mouse click on advanced on the top right corner.

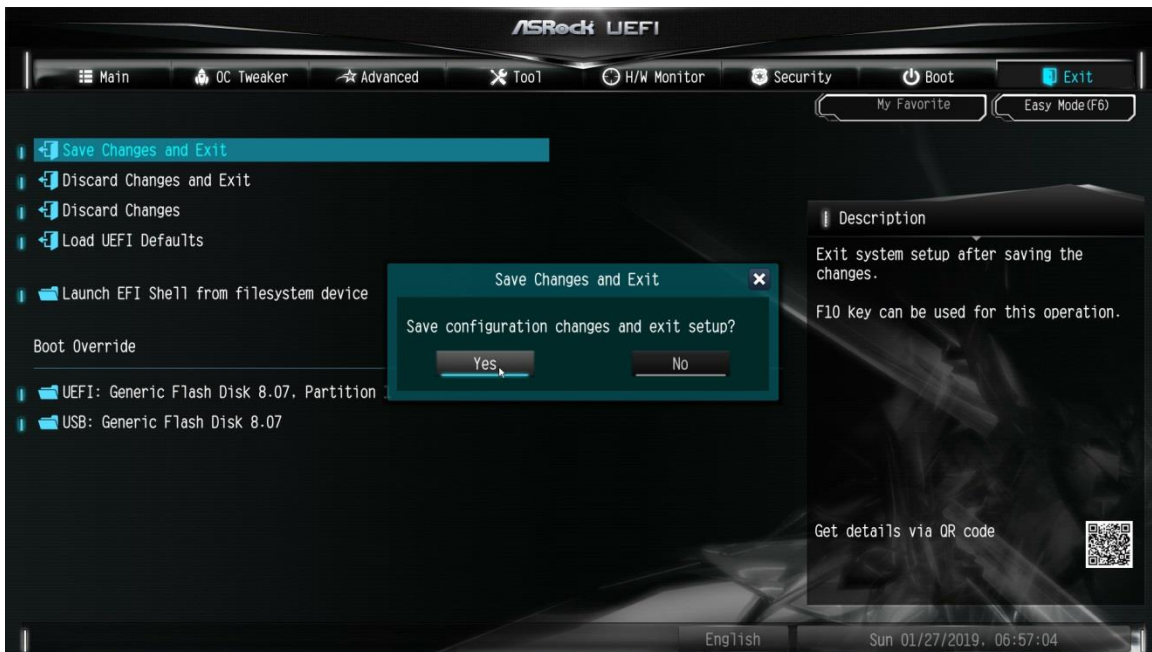
-Click on Advanced tab and then click on Chipset Configuration.



-Go to the bottom of that page, click/select the line Restore AC Power Loss, click on the drop box where it displays “Power Off” and select Power On.



-On your keyboard press on **F10** and then click on OK to confirm and save the settings.  
*Or go to the Exit tab, click save and Exit.*



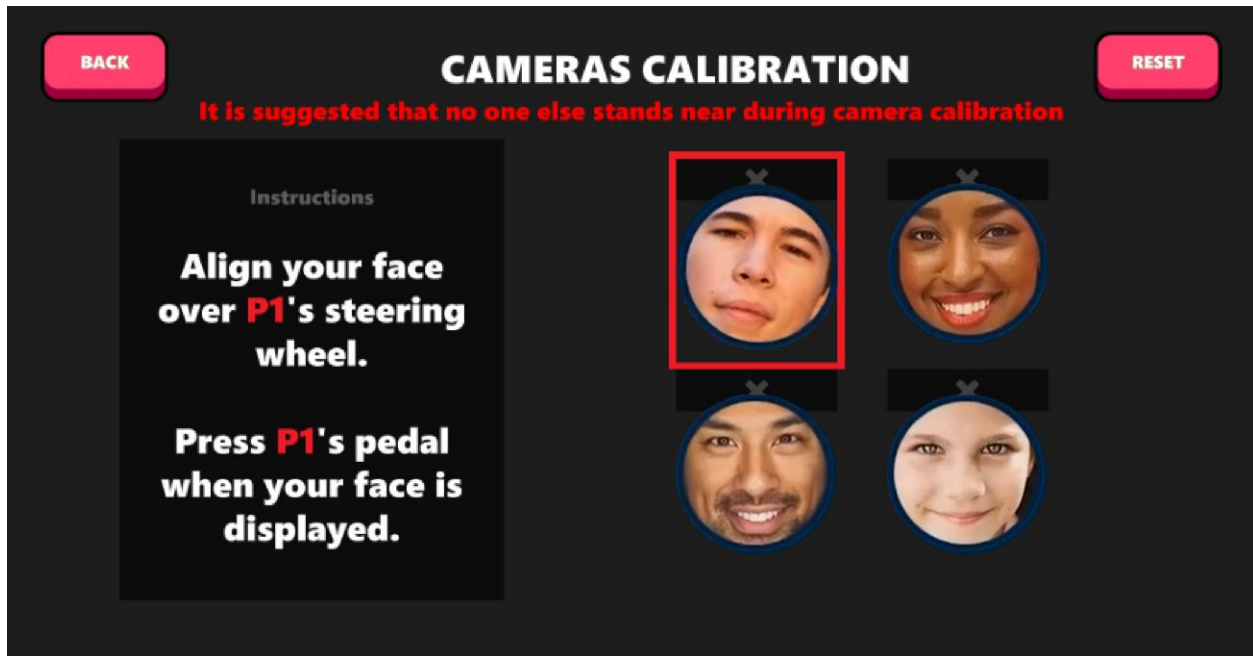


## Cameras troubleshooting

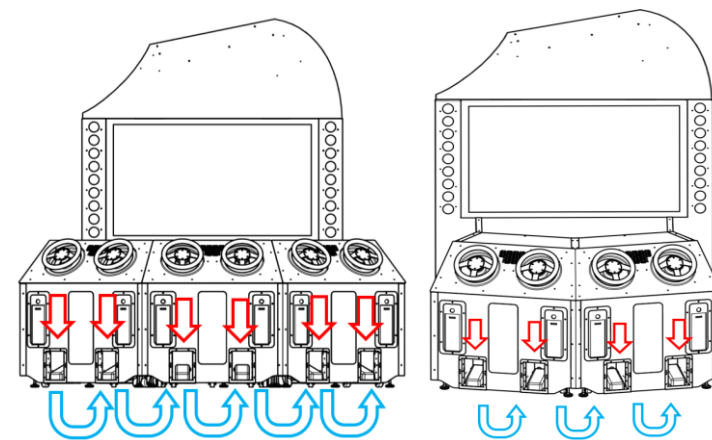
If your cameras are not working properly, go to the operator menu.  
Select “Cameras” in the bottom menu



To calibrate the cameras, align your face with player 1's steering wheel

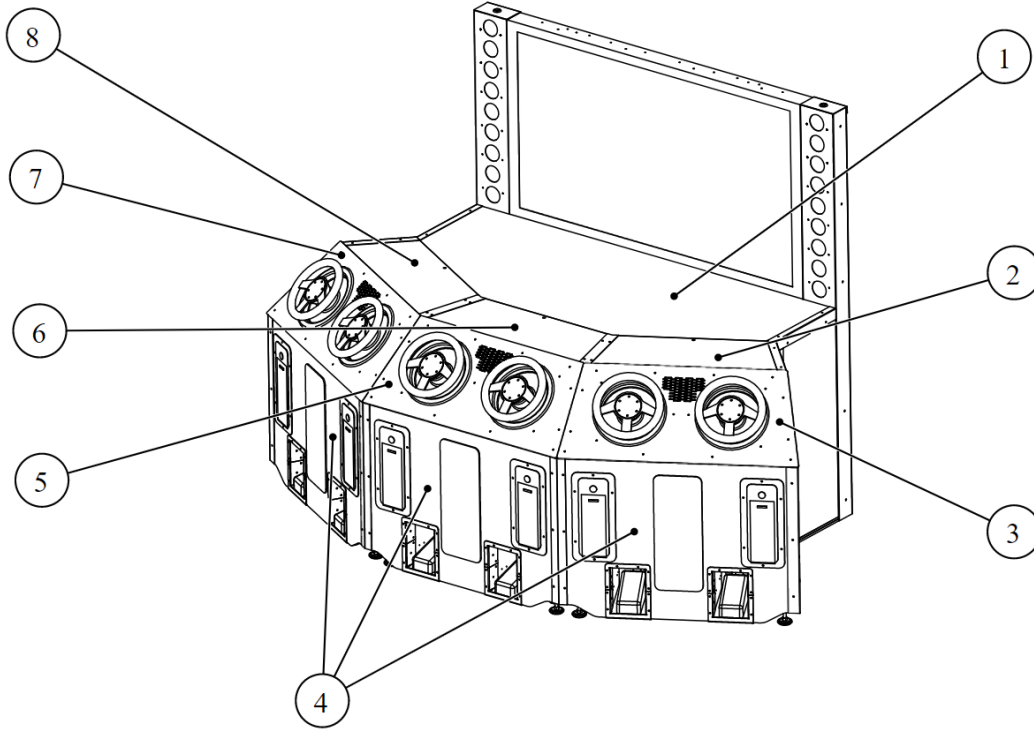


When the camera shows your face properly, press the pedal  
Repeat this step for every player



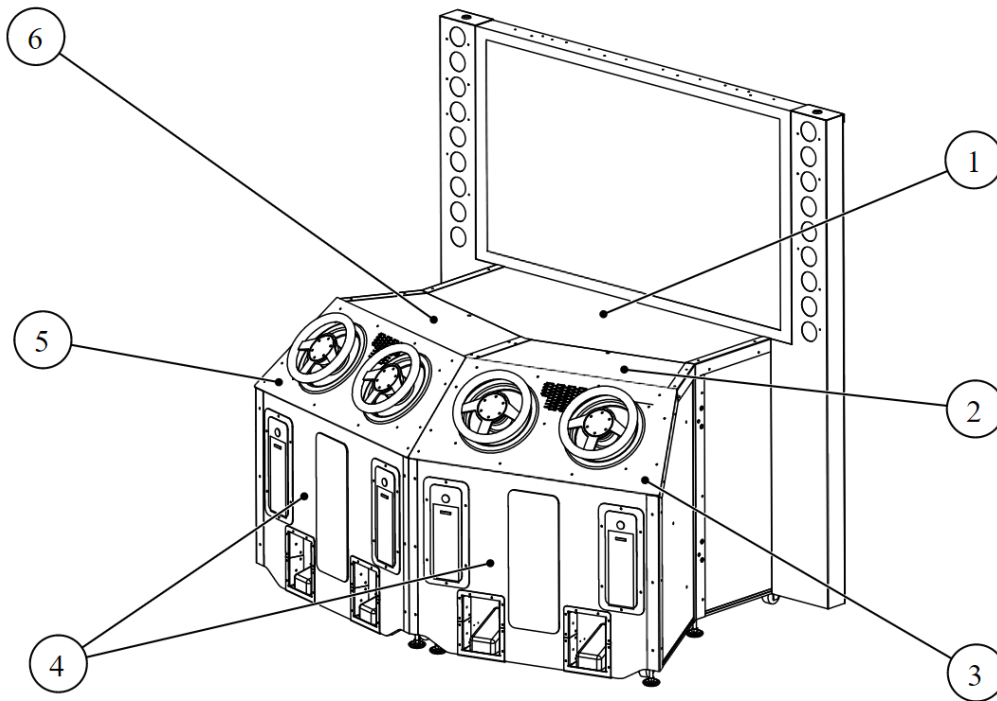
# Chapter 07 - Parts

## Printed Panels – 6 players version



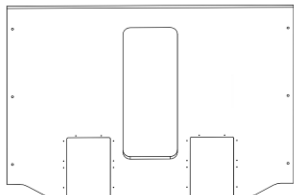
Ref	Part Description	Part #
1	Printed Melamine for Main Cabinet Hot Wheels 6 Players	HTW-02-6501-01
2	Printed Melamine HTW 6 Players Blue and Purple P5-P6 Printed Melamine HTW 6 Players D&B Blue and Purple P5-P6	HTW-02-0002-04-P5-P6 HTW-02-0002-04-P5-P6-D&B
3	Acrylic Dash Top Cover, HTW 6 Players, Blue and Purple P5-P6	HTW-07-0003
4	Printed Front Melamine for all Cabinets	HTW-02-0002-01 HTW-02-0002-01-D&B
5	Acrylic Dash Top Cover, HTW 6 Players, Yellow and Green P3-P4	HTW-07-0002
6	Printed Melamine HTW 6 Players Yellow and Green P3-P4 Printed Melamine HTW 6 Players D&B Yellow and Green P3-P4	HTW-02-0002-04-P3-P4 HTW-02-0002-04 P3-P4-D&B
7	Acrylic Dash Top Cover, HTW 6 Players, Red and White P1-P2	HTW-07-0001
8	Printed Melamine HTW 6 Players Red and White P1-P2 Printed Melamine HTW 6 Players Red and White P1-P2	HTW-02-0002-04-P1-P2 HTW-02-0002-04 P1-P2-D&B

## Printed Panels - 4 players version



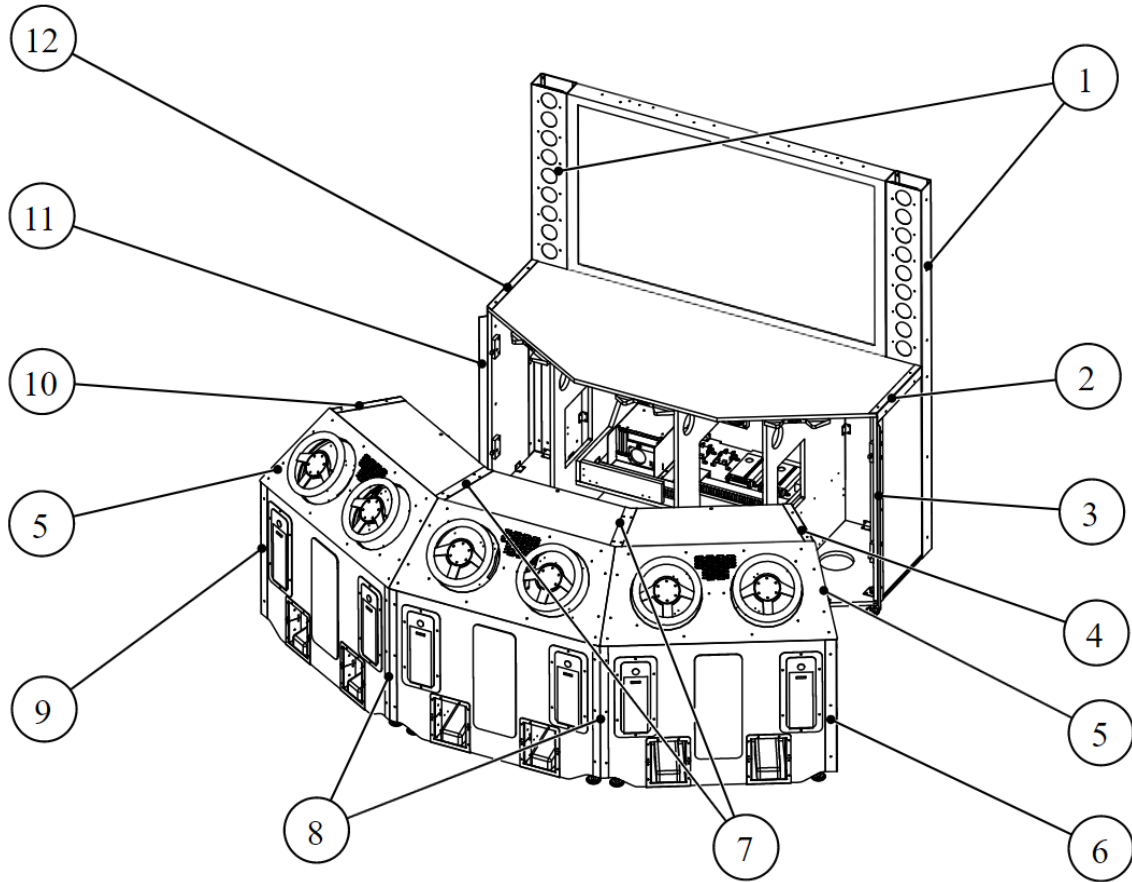
Ref	Part Description	Part #
1	Printed Melamine for Main Cabinet, Hot Wheels 4 Players	HTW4-02-6601-05
2	Printed Melamine HTW 4 Players Blue and Purple P3-P4	HTW4-02-0002-04-P3-P4
3	Acrylic Dash Top Cover, HTW 4 Players, Blue and Purple P3-P4	HTW4-07-0003
4	Printed Front Melamine for all Cabinets	HTW-02-0002-01
5	Acrylic Dash Top Cover, HTW 4 Players, Red and Green P1-P2	HTW4-07-0002
6	Printed Melamine HTW 4 Players Red and Green P1-P2	HTW4-02-0002-04-P1-P2

### Front of Small Cabinets



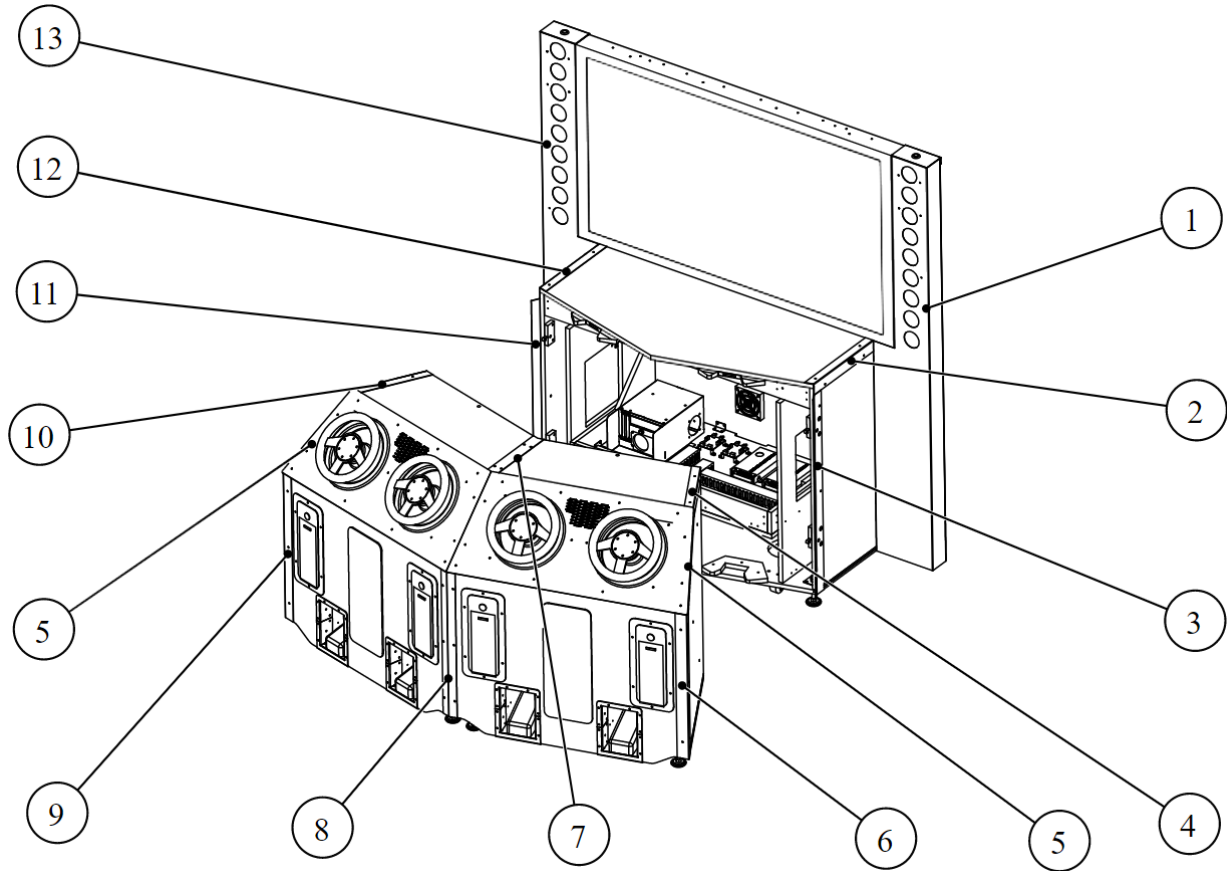
Part Description	Part #
Kit of 3x Printed Front Melamine for all Cabinets D&B	HTW-02-0002-01-D&B

## Metal Parts – 6 players version



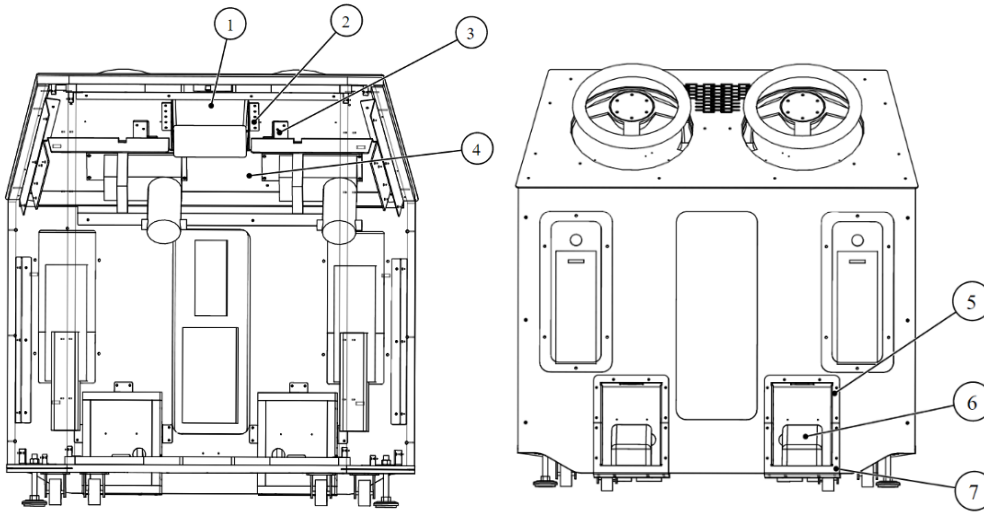
Ref	Part Description	Part #
1	Screen Support 6 players	HTW-01-0003
2	Top Right Horizontal Bracket for Screen Cabinet 6 players	HTW-01-0017
3	Side Right Connection Bracket for Screen Cabinet to Small Cabinet 6 players	HTW-01-0058
4	Top Right Horizontal Bracket for Right Cabinet	HTW-01-0052
5	Top Side Angle Bracket for Left/Right Cabinet	HTW-01-0038
6	Front Right Bracket for Right Cabinet	HTW-01-0006
7	Top Connection Bracket for Small Cabinet	HTW-01-0008
8	Front Connection Bracket for Small Cabinet	HTW-01-0009
9	Front Left Bracket for Left Cabinet	HTW-01-0007
10	Top Left Horizontal Bracket for Left Cabinet	HTW-01-0053
11	Side Left Connection Bracket for Screen Cabinet to Small Cabinet 6 players	HTW-01-0059
12	Top Left Horizontal Bracket for Screen Cabinet 6 players	HTW-01-0018

## Metal Parts – 4 players version



Ref	Part Description	Part #
1	Left Screen Support 4 players	HTW-01-0013
2	Top Right Horizontal Bracket for Screen Cabinet 4 players	HTW-01-0047
3	Side Right Connection Bracket for Screen Cabinet to Small Cabinet 4 players	HTW-01-0068
4	Top Right Horizontal Bracket for Right Cabinet	HTW-01-0052
5	Top Side Angle Bracket for Left/Right Cabinet	HTW-01-0038
6	Front Right Bracket for Right Cabinet	HTW-01-0006
7	Top Connection Bracket for Small Cabinet	HTW-01-0008
8	Front Connection Bracket for Small Cabinet	HTW-01-0009
9	Front Left Bracket for Left Cabinet	HTW-01-0007
10	Top Left Horizontal Bracket for Left Cabinet	HTW-01-0053
11	Side Left Connection Bracket for Screen Cabinet to Small Cabinet 4 players	HTW-01-0069
12	Top Left Horizontal Bracket for Screen Cabinet 4 players	HTW-01-0048
13	Right Screen Support 4 players	HTW-01-0014

## Small Cabinet Parts



**Inside view**  
transparency added for  
illustrative purposes

**Outside view**

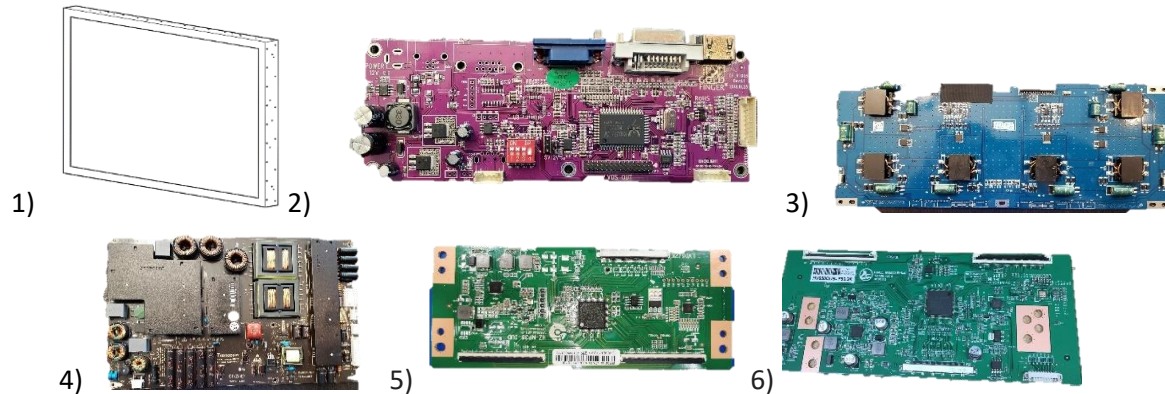
Ref	Part Description	Part #
1	Speaker 4"	ADR-50-9986-00
2	Speaker Bracket	BLX-01-2033
3	Bracket Support for Steering Holder	HTW-01-0021
4	Steering Holder Bracket	HTW-01-0020
5	Top Step Bracket	HTW-01-0025
6	Pedal Assembly with Potentiometer	AAG-13-0001
7	Bottom Step Bracket	HTW-01-0024

Other Cabinet Parts



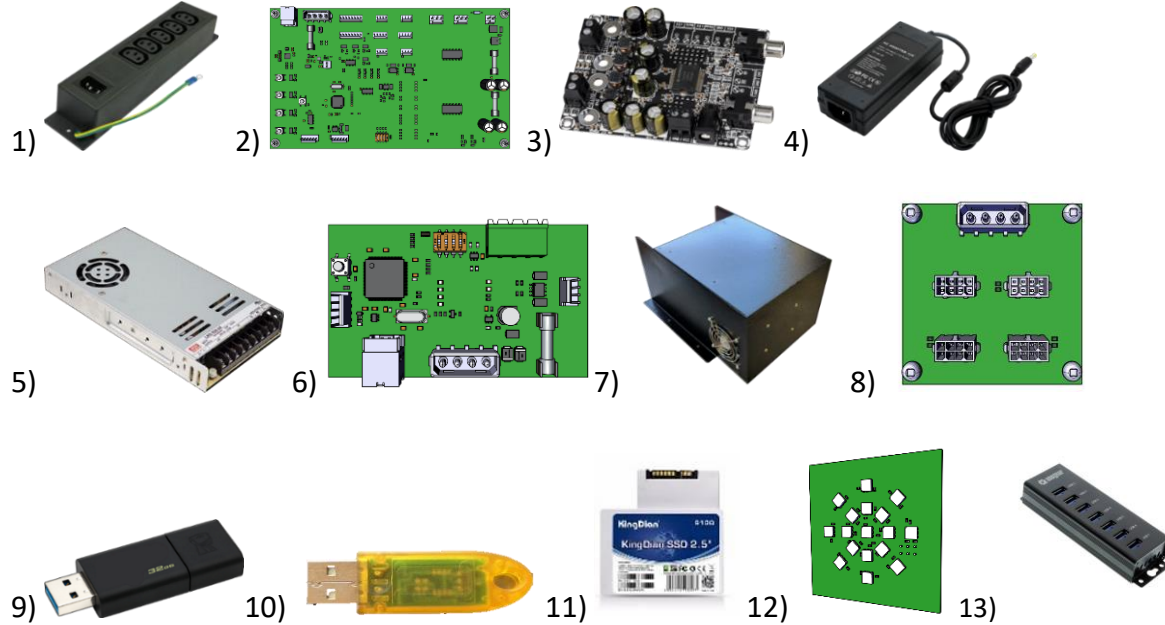
Ref	Part Description	Part #
1	General Duty Rubber Caster, 2-1/2"	INV-F25083
2	Leg Leveler 1/2"-13 x 4" Thread, 2-3/8" Base Diameter	INV-62805K-39
3	Kit for Fan 138CFM With Harness, 120mm	ADR-FAN-120MM-02-KIT
4	Grill 120mm	ADR-GRILLE-120MM
5	Male R2/R5 Concealed Butt-Joint Panel Fastening Latches	INV-R5-0074-07
6	Female R2/R5 Concealed Butt-Joint Panel Fastening Latches	INV-R5-0079-07
7	Miniature Round Pushbutton, White Center	ADR-49-0577-01
8	Meter, 12V, 7 Digit with Bracket	ADR-42-08012-072
9	Multi-Stage Filter 6A	ADR-817-1321-ND

Monitor Replacement Parts



Ref	Part Description	Part #
1	Monitors 65", Black Frame, With Safety Glass	RAM-10-0001
2	Video Board for 65 Monitor	RAM-10-0001-VIDEO-BOARD
3	Inverter Backlight Board with Cable and Harness for 65" Monitors	RAM-10-0001-INVRT
4	Power Supply for 65" Monitors	RAM-10-0001-PS
5	Logic Panel Control Board with Ribbons Cables for 65" Monitors, Type 1	RAM-10-0001-LB-TYPE1
6	Logic Panel Control Board with Ribbons Cables for 65" Monitors, Type 2	RAM-10-0001-LB-TYPE2

## Electronics



Ref	Part Description	Part Number
1	Power Bar 5 positions	INV-05-1242
2	Program I/O Board Assembly With 4 Analog Input for Hot Wheels	AAG-04-0001-PROG
3	2x15 Watt Class D Audio Amplifier Board	INV-14-0005
4	Switching Power Supply, 12 V, 5A, 2.1 x 5.5mm Plug	INV-14-0006
5	Switching Power Supply 24V, 500W	AAG-13-0005
	Switching Power Supply 12V, 320W	INV-05-1248
6	Program LED Controller RGB Board Assembly with Outputs	AAG-04-0006-PROG
7	PC Box for Hot Wheels with Motherboard H310	ADR-11-1019-HTW
	PC Box for Hot Wheels 4 players with Motherboard H310	ADR-11-1019-HTW4
	PC Box for Hot Wheels with Motherboard H310 for D&B	ADR-11-1019-HTW-D&B
8	Steering/Pedal Interconnect Board	AAG-04-0005
9	Restore USB Key Hot Wheels H310 6 players	ADR-11-2014-HTW-H310
	Restore USB Key Hot Wheels H310 4 players	ADR-11-2014-HTW4-H310
	Restore USB Key Hot Wheels H310 6 players D&B	ADR-11-2014-HTW-D&B-H310
10	Yellow Dongle	TF-04-1212
11	Hard Drive for Hot Wheels for H310	INV-11-1027-HTW-H310
	Hard Drive for Hot Wheels 4 Players for H310	INV-11-1027-HTW4-H310
	Hard Drive for Hot Wheels D&B for H310	INV-11-1027-HTW-D&B-H310
12	2 inch's Round LED PCB Assembly	AAG-04-0004
13	7-Port USB, 3.0 Hub, Type A Female USB	AAG-11-0011

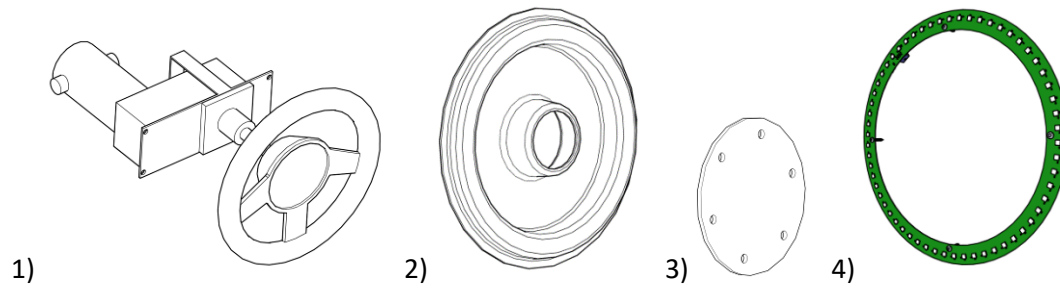


## Cameras



Part Description	Part Number
USB 1.3 Megapixel Mini camera	AAG-10-0001
7-Port USB, 3.0 Hub, Type A Female USB	AAG-11-0011
Left Plastic Cover for 1.3 Megapixel Mini camera	AAG-07-0001-L
Right Plastic Cover for 1.3 Megapixel Mini camera	AAG-07-0001-R
<b>Complete Mini Camera Installation Kit for Hot Wheels</b>	<b>AAG-10-0001-KIT</b>

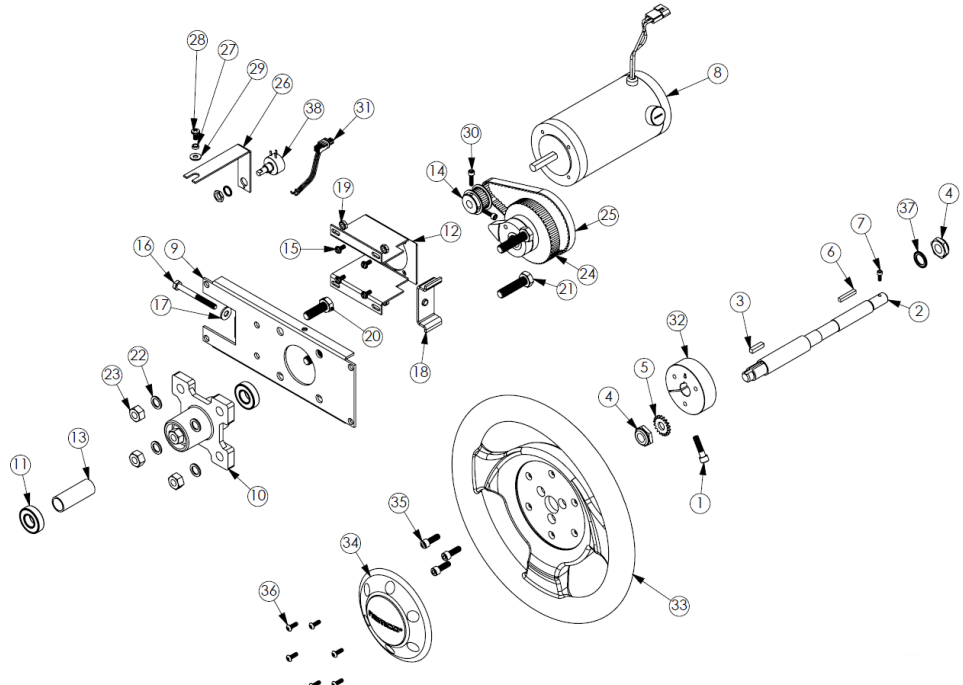
## Steering wheels



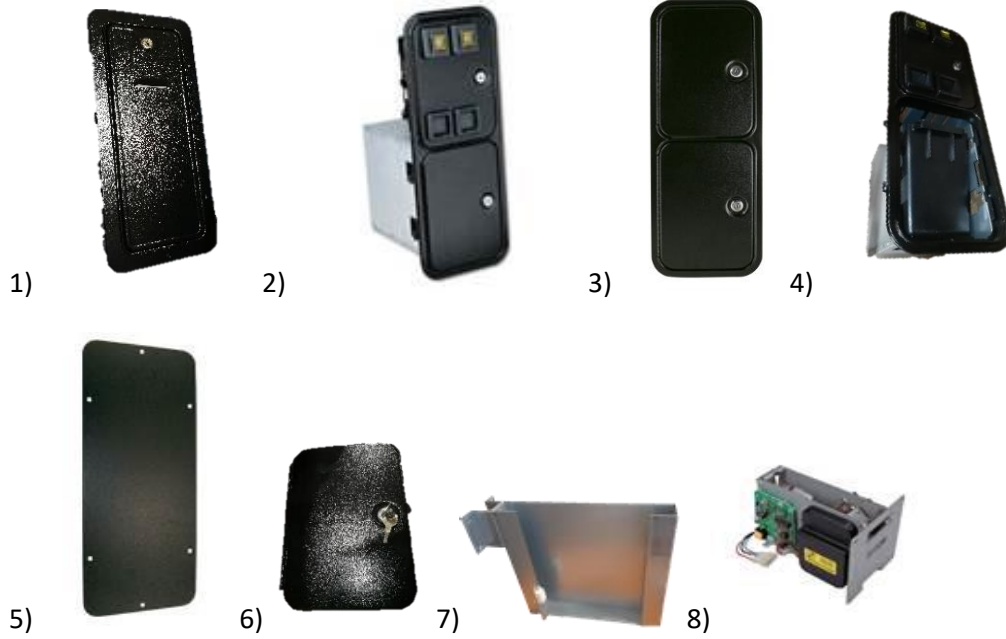
Ref	Part Description	Part Number
1	Steering Mechanism Assembly with Motor	AAG-13-0002
2	Front White Ring Led Cover for Hot Wheels	HTW-07-0013
3	Red Steering Cap	HTW-07-0021-R
	White Steering Cap	HTW-07-0021-W
	Yellow Steering Cap	HTW-07-0021-Y
	Green Steering Cap	HTW-07-0021-G
	Blue Steering Cap	HTW-07-0021-B
4	Purple Steering Cap	HTW-07-0021-P
	12 inch's Round LED PCB assembly	AAG-04-0002
	5K Ohm Potentiometer	AAG-13-0002-POT
	Steering Hoop	AAG-13-0002-HOOP
	Motor 90 VDC 1.5 Amp	AAG-13-0002-MOTOR
	Timing Belt for Steering Wheel	AAG-13-0002-BELT

## Steering Mechanism Assembly Parts available from Suzohapp

ITEM NO.	QTY.	PART NO.	DESCRIPTION
1	1	43-0341-00	SCREW 1/4-28 X 1" SHC BLK OX
2	1	50-4014-00	SHAFT, 270 DEG, ACTIVE WHEEL
3	1	43-0305-00	KEY 3/16 SQUARE x .74 LG FOR ACTIVE STEERING
4	2	43-0232-00	NUT, HEX NYLOCK 1/2-20
5	1	43-0340-00	LOCKWASHER M12 SERRATED EXTERNAL TOOTH
6	1	50-2092-00	KEY, SHAFT 4MM x 4MM x 25MM
7	1	43-1170-00	SCREW, #6-32 x 3/8" SHCS
8	1	50-4043-00	MOTOR & CONNECTOR ASY.
9	1	50-4014-00	WHEEL MTG BRACKET 270 DEG ACTV WHEEL
10	1	50-8129-00	DIECAST HOUSING FOR STEERING WHEEL W/O B
11	2	50-8130-00	BEARING BALL 6002zz .59 ID X 1.29 OD X .35 THK
12	1	50-8455-00	MOTOR MOUNTING BRACKET FEEDBACK WHEEL
13	1	50-2659-00	BEARING SPACER
14	1	50-4040-00	PULLEY 1/5 PITCH 1.6 TEETH ALL ALUMINUM 3/8 B
15	4	43-0188-00	SCREW 8-32 X 3/8" HHWMS SEMS
16	1	43-0576-00	SCREW M6 X 60MM HHCS PARTIAL THREAD ZINC
17	1	90-1208-00	5/16 FLAT WASHER .06T ZINC PLT
18	1	50-2545-00	BRKT M6 BELT TIGHTENER FEEDBACK
19	4	42-0093-00	NUT, 10-32 HEX SEMS, ZINC PLTD
20	2	43-0117-00	SCREW M10 X M30 HHCS GRADE 8.8
21	2	43-0978-00	SCREW M10 X 40MM HHCS
22	4	43-0034-00	LOCKWASHER M10 RIBBED
23	4	43-0035-00	NUT HEX M10
24	1	50-4045-PL	STOPPER PIE CAM & PLASTIC PULLEY
25	1	50-4041-90	TIMING BELT FOR STEERING WHEEL URETHANE STEEL
26	1	50-4018-00	POT MOUNTING BRACKET 270 DEG ACTIVE WHEEL
27	1	50-4032-00	SPACER, POT MTG. BRACKET
28	1	43-0184-00	SCREW 10-32 X 3/8" PPHMS
29	1	43-0995-00	WASHER 10 SAE FLAT ZP
30	2	43-1059-00	SCREW 8-32 X 5/8" SHCS W/NYLOK PATCH BLK OX
31	1	50-4089-00	HARNES WHEEL 3 PIN IDC POT
32	1	50-2525-00	SPLIT HUB FOR 5/8" SHAFT & 1/4-20 TAP
33	1	50-1035-00HD	HOOP, SOFT
34	1	50-4135-00	WHEEL CAP FOR SOFT HOOP WITH NAMCO LOGO
35	3	43-0328-00	SCREW 1/4-20 X 3/4" SHCS BLK OX
36	6	43-0284-00	SCREW 8-32 X 1/2" TORX BHCS BLK OX
37	1	43-1554-00	STAR WASHER M14 EXTERNAL TOOTH
38	1	96-4916-00	LONG LIFE POT WITH NUT AND WASHER 5K 320



## Doors



Ref	Part Description	Part Number
1	Ticket Dispenser Door Including LEDs, Without Dispenser	ADR-40-0540-00KA
2	Door Assembly with Two Upper Mech Holder, Round Corner, Universal Logo	ADR-40-0038-KA
3	Door and Frame Assembly with Blank Upper and Bottom Door, Round Corner	ADR-40-0128-00KA
4	Door Assembly with One Upper Mech Holder, Round Corner, Universal Logo, NO Bottom Door	ADR-40-0512-06NMKA
5	Metal Plate for Ticket Door	SHT-01-0070
6	Round Corner Blank Door Only	ADR- 42-3145-100C15
7	Ticket Bin with Level Sensor Switch	ADR-42-1015-00
8	Ticket Dispenser D-TYPE	ADR-TD-0001

**Header: HTW-07-0060-KIT**



1)

2)

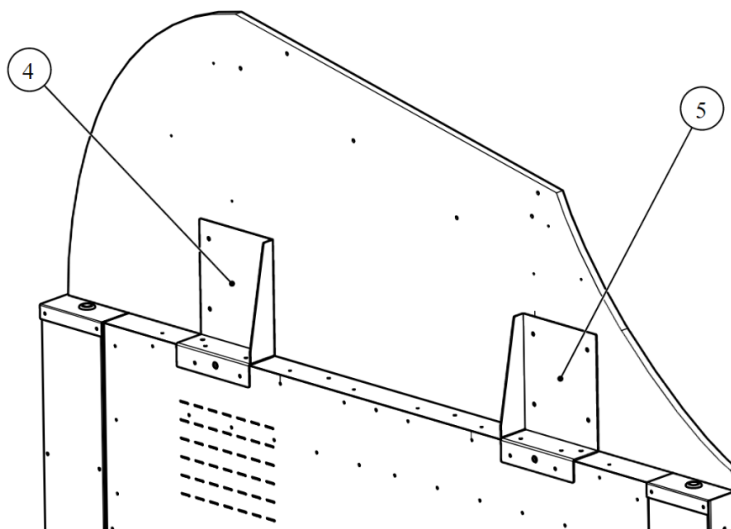


3)



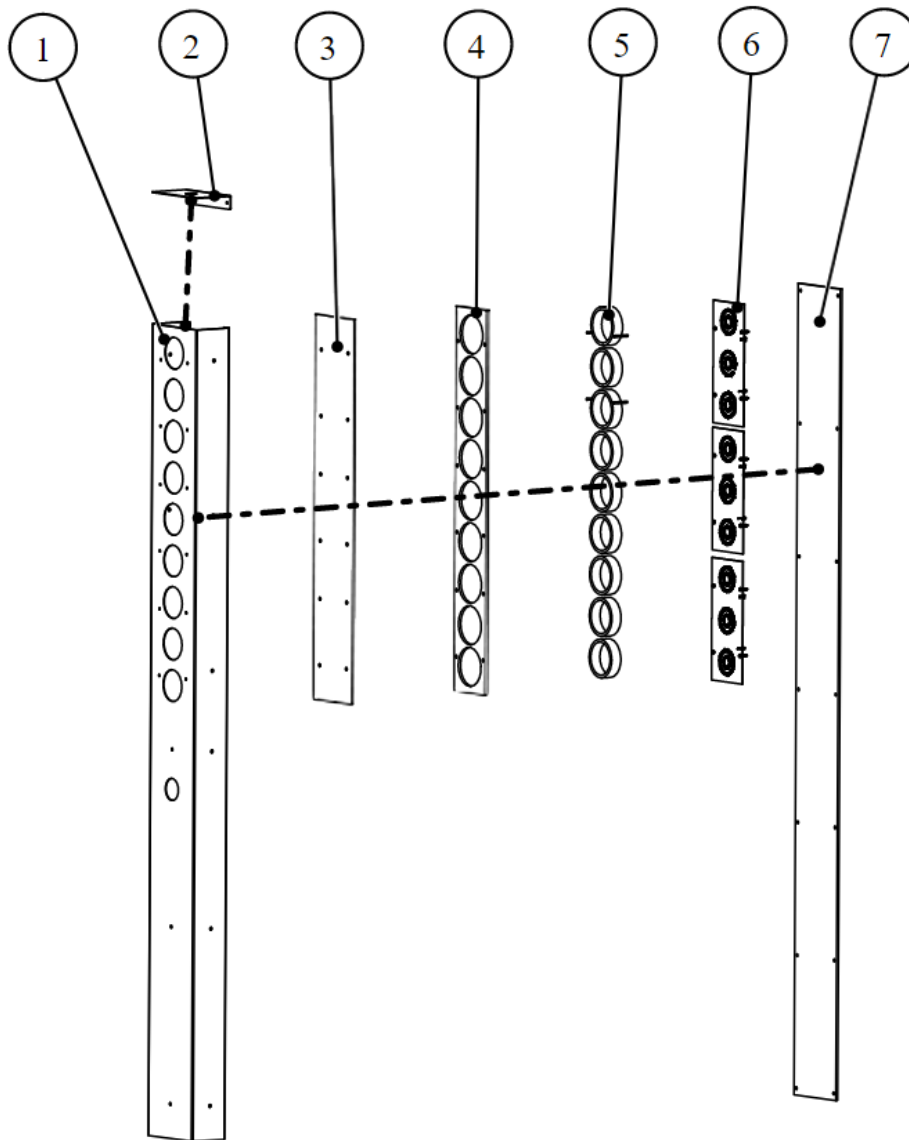
4)

Ref	Part Description	Part Number
1	Back of Hot Wheels Header with Coins	HTW-07-0060-COINS
2	Hot Wheels Header Cars Only	HTW-07-0060-CARS
3	Hot Wheels Header Logo Only	HTW-07-0060-HOTWHEELS
	Black Push-in Rivets	INV-90221A113



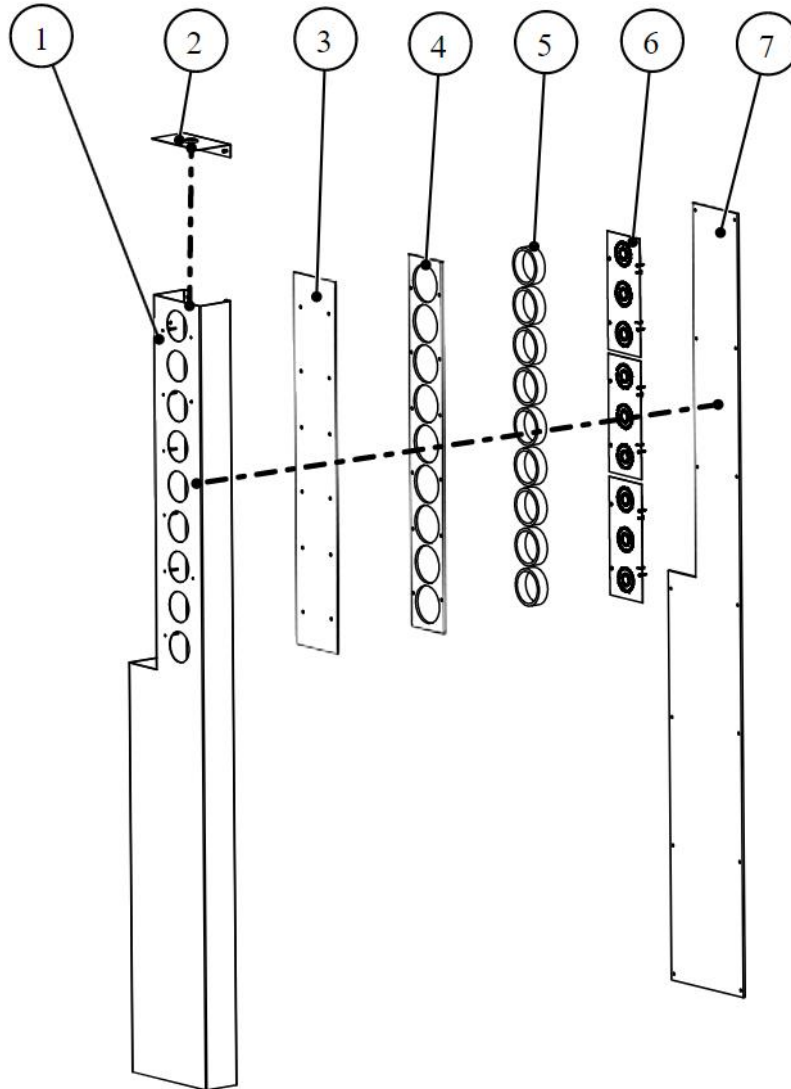
Ref	Part Description	Part Number
4	Right Side Header Bracket for Hot Wheels	HTW-01-0065
5	Left Side Header Bracket for Hot Wheels	HTW-01-0064

### Side LEDs – 6 players version



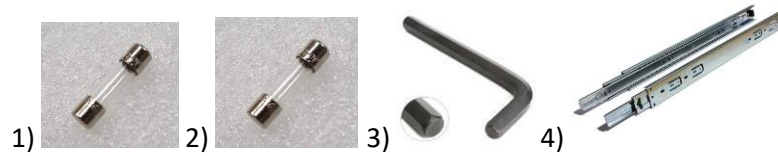
Ref	Part Description	Part Number
1	Screen Support 6 players	HTW-01-0003
2	Top Wire Cover	HTW-01-0001
3	LED Light Diffuser for Side of The Screen, Kit of 2	HTW-07-0050
4	: Light Guide PVC Foam on Side of The Screen, Kit of 2	HTW-07-0031
5	Round Black Plastic Spacer 3'' Diameter x 1'' Large (each)	HTW-07-0009
6	3 Round LED PCB Assembly	AAG-04-0003
7	Rear Screen Support Cover, Kit of 2, Hot Wheels 6 Players	HTW-07-0040

### Side LEDs – 4 players version



Ref	Part Description	Part Number
1	Screen Support Left Side for HTW4 Screen Support Right Side for HTW4	HTW-01-0810 HTW-01-0811
2	Top Wire Cover	HTW-01-0001
3	LED Light Diffuser for Side of The Screen, Kit of 2	HTW-07-0050
4	Light Guide PVC Foam on Side of The Screen, Kit of 2	HTW-07-0031
5	Round Black Plastic Spacer 3'' Diameter x 1'' Large (each)	HTW-07-0009
6	3 Round LED PCB Assembly	AAG-04-0003
7	Rear Screen Support Cover, Kit of 2 for Hot Wheels 4 Players	HTW-07-0041

## Misc. Parts



Ref	Part Description	Part Number
1	Fuse Glass, 10A, 250V, 5 x 20 mm	ADR-486-1865-ND
2	Fuse Glass, 5A, 250V, 5 x 20 mm	ADR-507-1232-ND
3	Hex L-Key, 5/16", Long Arm	INV-0911LA00079001
4	Full Extension Ball Bearing Slide, 20", 100 lbs Capacity	INV-28602500

## Wiring Harnesses

Part Description	Part Number
Harness for Ground On 3 Doors for Small Cabinet	AAG-03-0004
Harness Interconnection Female Power 12V/24V to I/O Board & Speakers for Front Cabinet	AAG-03-0005
Harness For 2 Steering Motor To I/O board	AAG-03-0006
Harness 9" Jumper To 3 Round Led PCB	AAG-03-0007
Harness 5' Interconnect Board To 12" Round Led PCB	AAG-03-0008
Harness for Steering Potentiometer To I/O Board	AAG-03-0009
Harness 6' Interconnect Board To 2" Round Led PCB	AAG-03-0010
Harness 4.5' Main Entry Interconnect Board to Front Cabinet	AAG-03-0011
Harness 15' Power Header to RGB Led Controller	AAG-03-0012
Harness 12' Power/Data 3 Round Led PCB To RGB Led Controller	AAG-03-0013
Harness Interconnection Male Power 12V/24V to I/O Board & Speaker (Rear Cabinet)	AAG-03-0014
Harness 12' Main Entry Interconnect Board to Rear Cabinet	AAG-03-0015
Harness 4.5' Operator Button To I/O Board	AAG-03-0016
Harness 8" PSU To Connector Barrier Strip	AAG-03-0017
Harness 8" PSU to 5 Fuses Holders	AAG-03-0018
Harness 18" PSU To RGB Led Controller	AAG-03-0019
Harness 8" Earth Ground to Connector Barrier Strip	AAG-03-0020
Harness 6' EMI Filter To Power Bar	AAG-03-0021
Harness for PSU Power	BLX-03-0014
Harness for IO Board Power to Rear Cabinet	BLX-03-0016
Harness for Coin MEC	BLX-03-0024
Harness for Ticket, Player 3	RAM-03-0006

## Cabling

Part Description	Part Number
Barrel Connector Wire "Y", 2.1mm Female to 2 x 2.1mm Male, 300mm	TF-05-1223
Power Entry EMI Filter	ADR-05-1241
Power Cord, PDU to CPU, IEC-C13 to IEC-C14, 18AWG, 3'	INV-PW-100-03
Power Cord, PDU to CPU, IEC-C13 to IEC-C14, 18AWG, 8'	INV-PW-100-08
Power Cord, IEC-C14 to IEC-C7 (2-Prong) SPT-2, 18AWG, 3'	INV-PW-117-03
Cable Usb 2.0 'AB', White, 3'	INV-USB-AB1-03
Cable Usb 'AA' 2.0, Male to Female, 10'	USB-AA3-10BK
Cable Usb 2.0 'AB', White, 6'	INV-USB-AB1-06
DC Power Connector Female 2.1mm x 5.5mm, 8"	INV-CN-DCF-8IN

## Hardware Kit

**6 Players Kit:** HTW6-HARDWARE

**4 Players Kit:** HTW4-HARDWARE

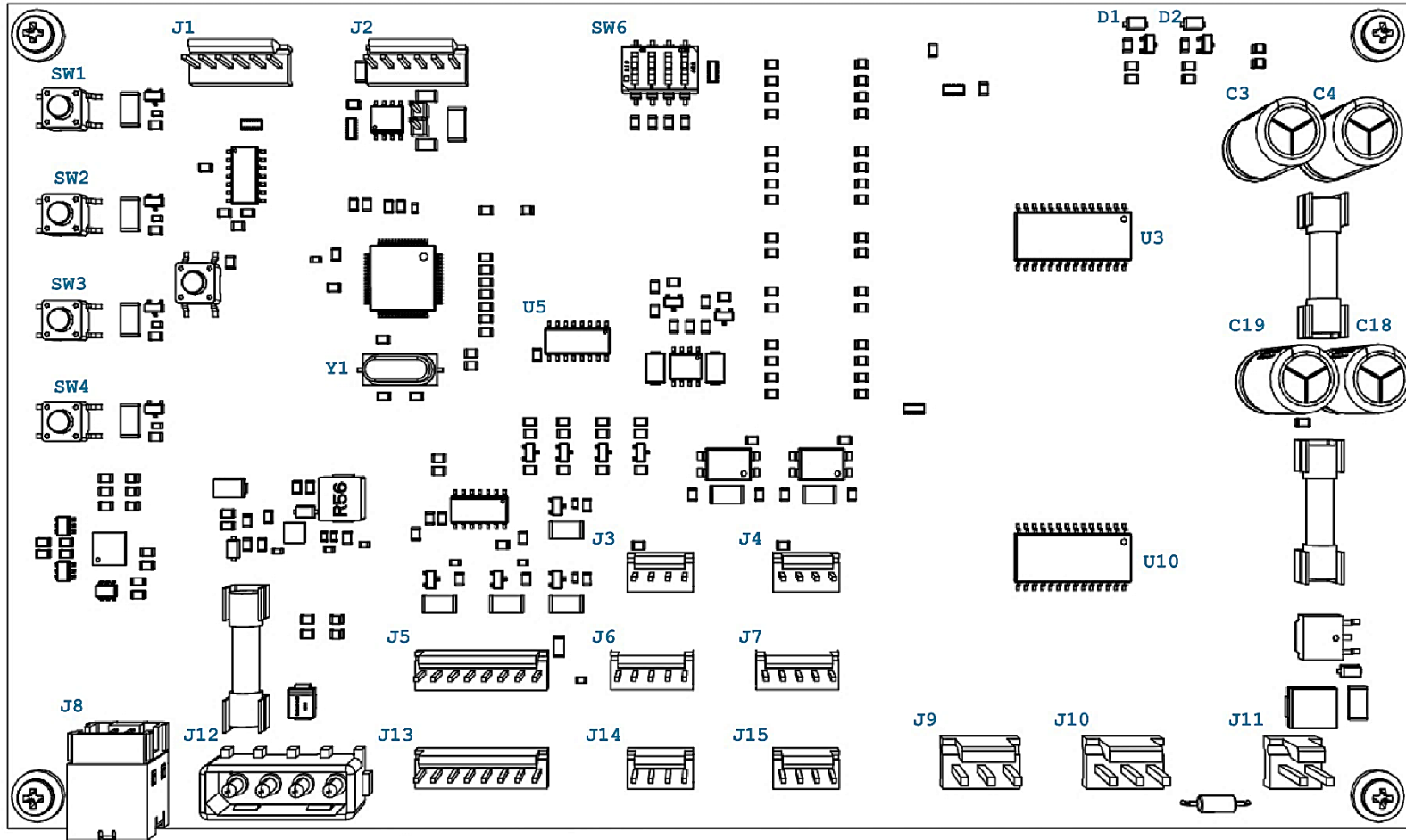


Ref	Part Description	Part #	6 PLY Qty	4 PLY Qty
1	Hex Head Bolts 1/4-20 x 3/4"	HS-HH-Z-1/4-20X3/4	2	2
2	Phillips Pan Head Machine Screws Zinc 8-32 x 3/4"	MS-PP-ZS-08-32X3/4	8	8
3	Phillips Pan Head Machine Screws Black 10-24 x 3/4"	MS-PP-BS-10-24X3/4	34	22
4	Phillips Pan Head Machine Screws Black 10-24 x 1 1/4"	MS-PP-BS-10-24X1-1/4	6	3
5	Allen Key 5/16"	INV-0911LA00079001	1	1



# Chapter 08 – Diagrams & Schematics

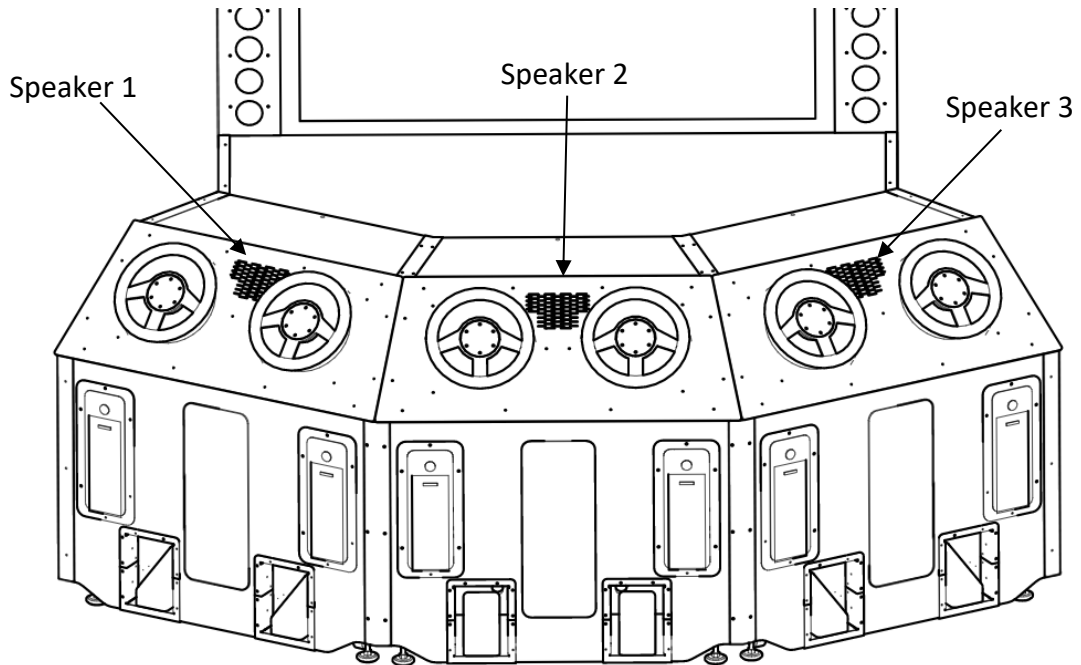
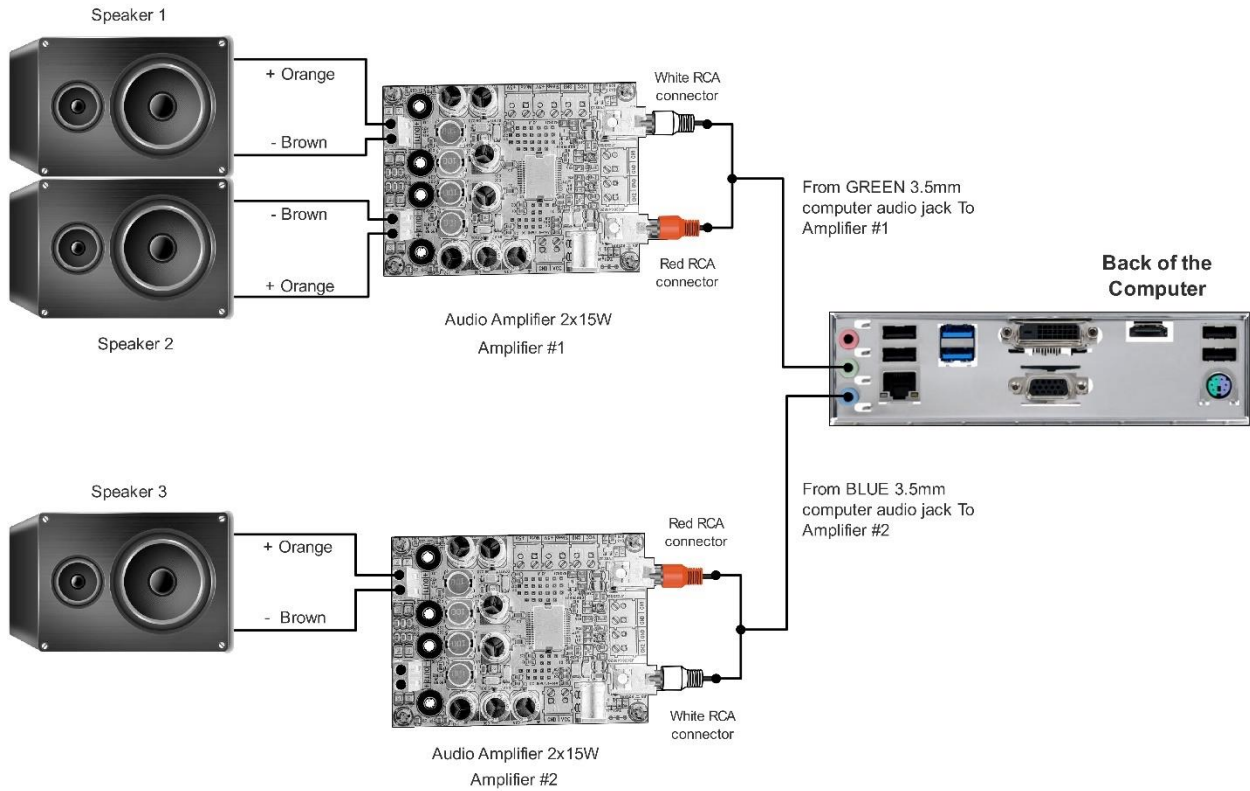
## I/O Board AAG-04-0001



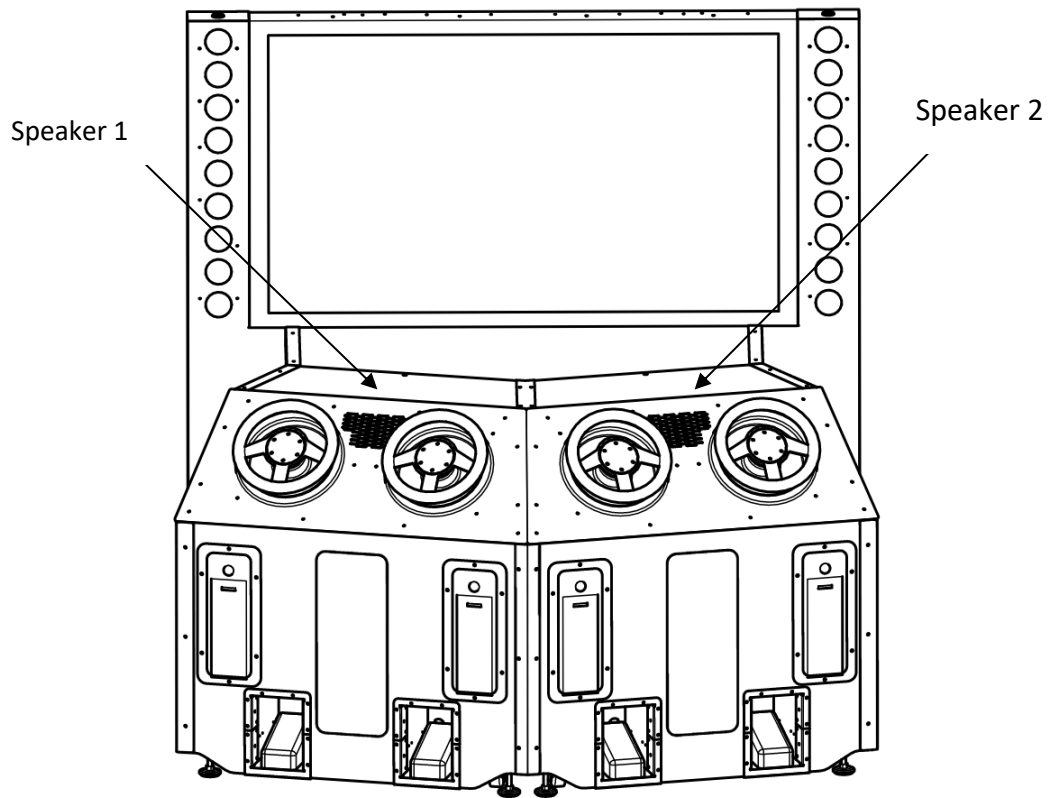
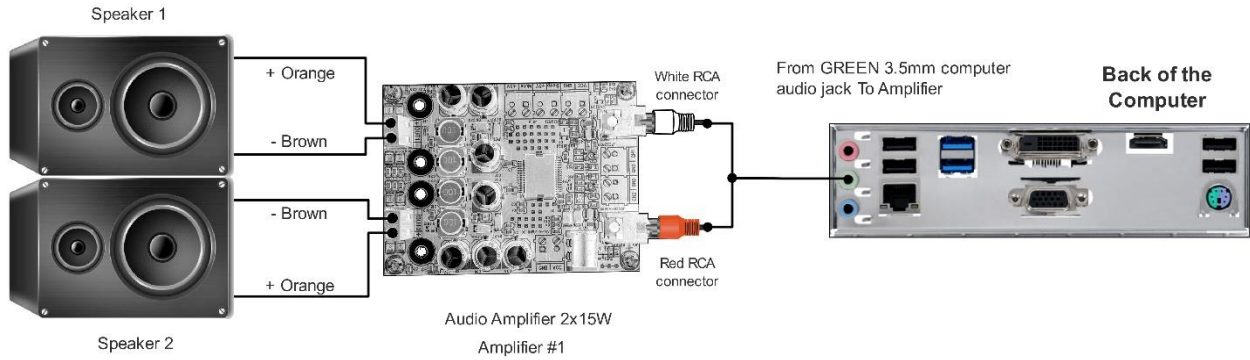
Hot Wheels King of the Road Manual V3.3  
Chapter 08 – Diagrams & Schematics

<u>J1</u>	<u>J2</u>	<u>J3</u>	<u>J4</u>
<b>(Player 3's module only*)</b> 1. (Red) OPERATOR 2. Not Connected 3. Not Connected 4. Not Connected 5. (Black) GND 6. Not Connected		1. (White) 12V 2. (Red) OUTA 3. (Black) OPTOA 4. (Green) GND	1. (White) 12V 2. (Red) OUTB 3. (Black) OPTOB 4. (Green) GND
<u>J5</u>	<u>J6</u>	<u>J7</u>	<u>J8</u>
	1. (Orange) U.POT 2. (Green) S.POT 3. (Black) GND 4. Not Connected 5. Not Connected	1. (Orange) U.POT 2. (Green) S.POT 3. (Black) GND 4. Not Connected 5. Not Connected	<u>USB to Computer</u>
<u>J9</u>	<u>J10</u>	<u>J11</u>	<u>J12</u>
A. (Red) B. (Black)	A. (White) B. (Green)	1. (White) 24V 2. (Green) GND	1. (Red) +12V 2. Not Connected 3. (Black) GND 4. Not Connected
<u>J13</u>	<u>J14</u>	<u>J15</u>	<u>J16</u>
1. (White) 12V 2. (Black) GND 3. (Red) IN1 4. (Yellow) IN2 5. (Blue) GND 6. (Brown) OUT1 7. (Orange) OUT2 8. (Green) 12V	1. (Green) U.POT 2. (White) S.POT 3. (Black) GND 4. Not Connected 5. Not Connected	1. (Green) U.POT 2. (Red) S.POT 3. (Black) GND 4. Not Connected 5. Not Connected	
<u>J17</u>	<u>J18</u>	<u>J19</u>	<u>J20</u>

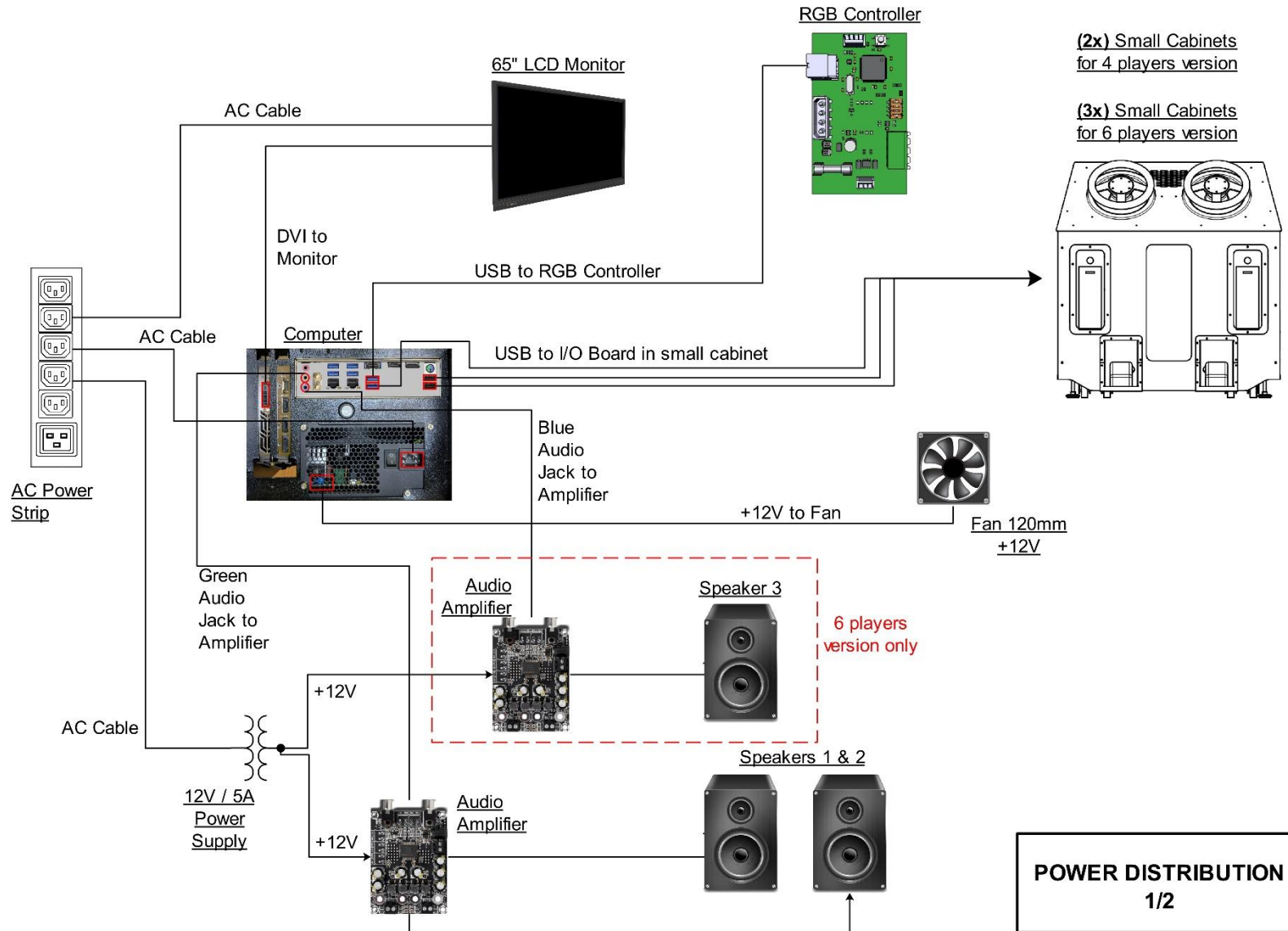
## Speakers Wiring Colors - 6 players version

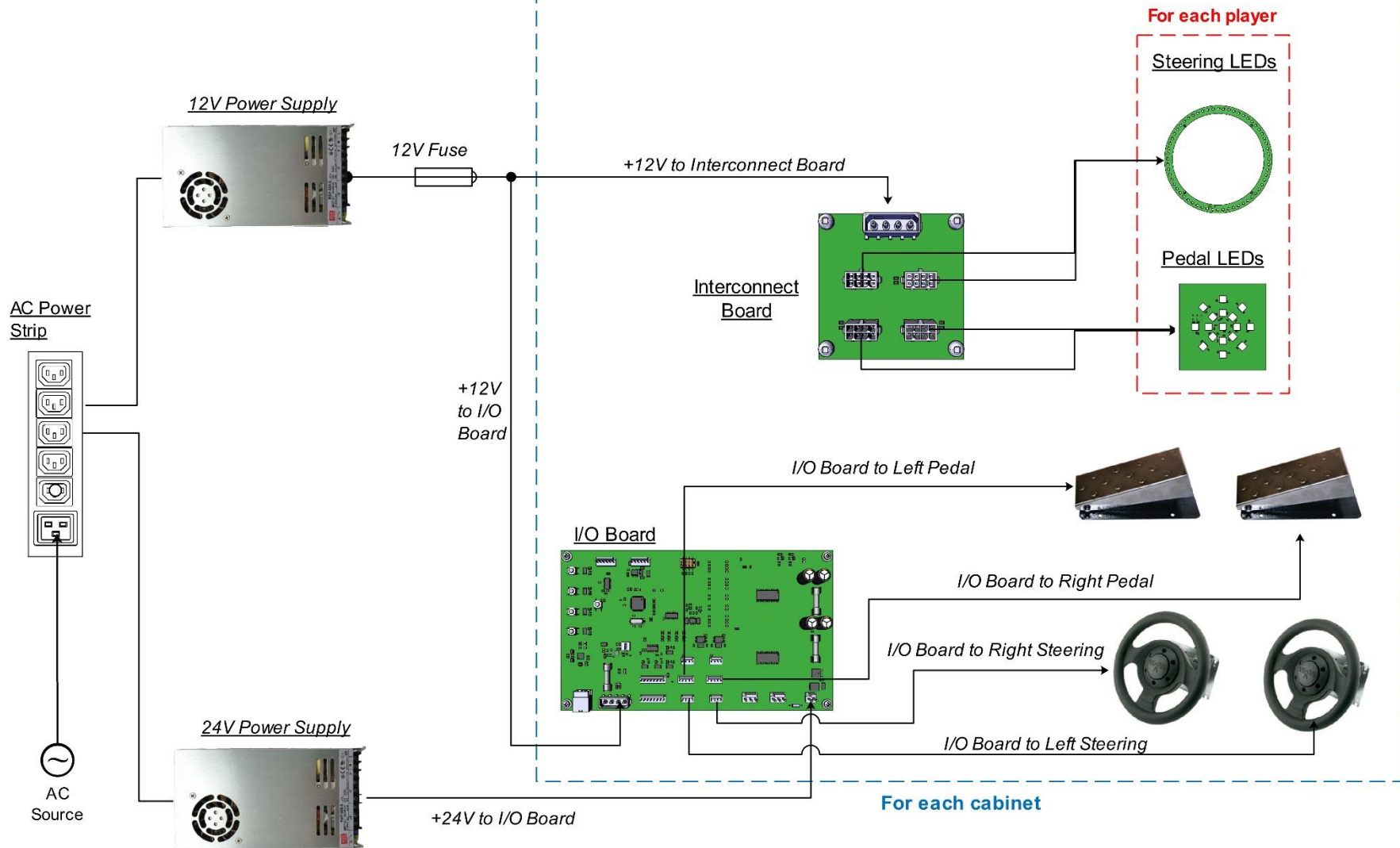


## Speakers Wiring Colors - 4 players version



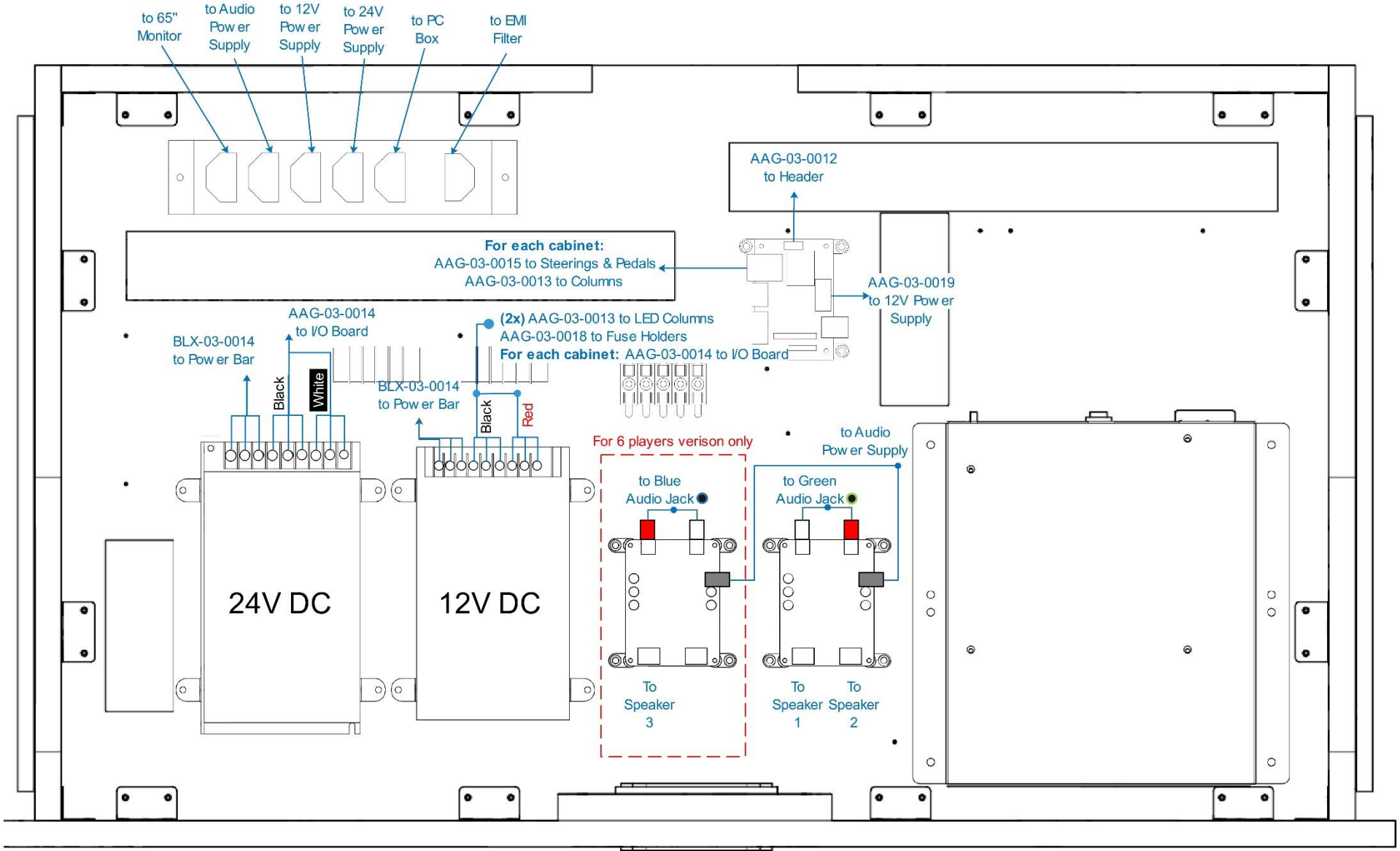
## Power Distribution Schematics





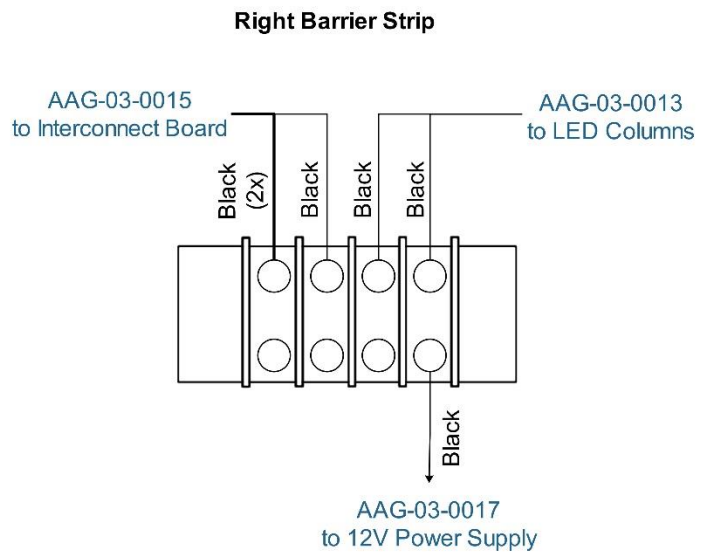
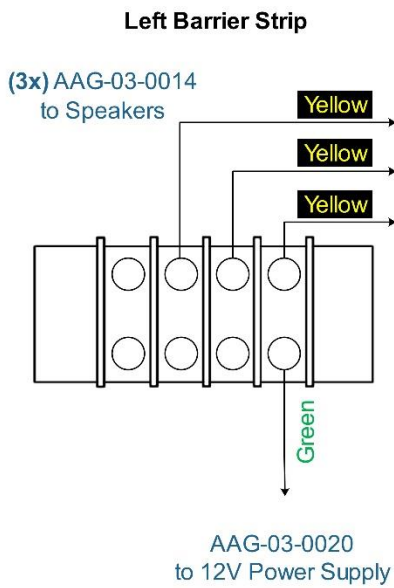
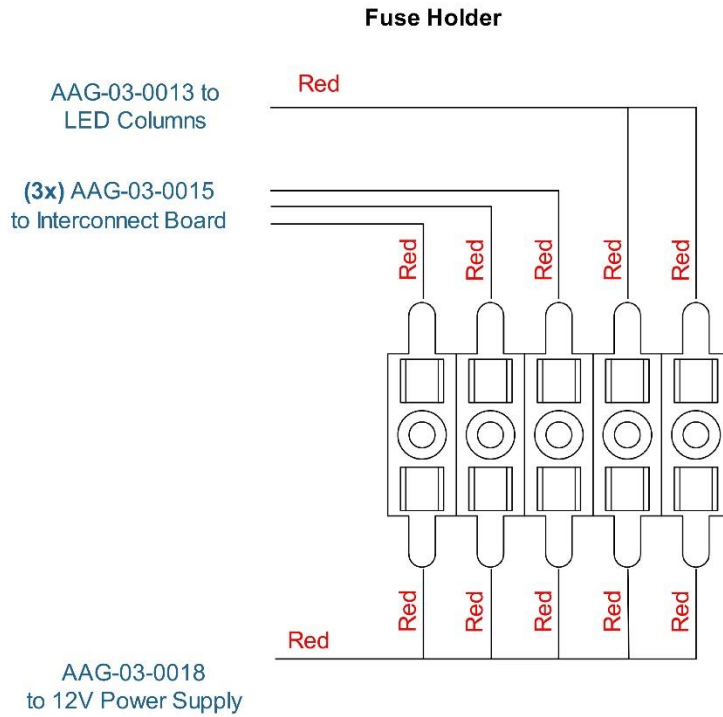
**POWER DISTRIBUTION**  
2/2

## Tray Assembly Schematics



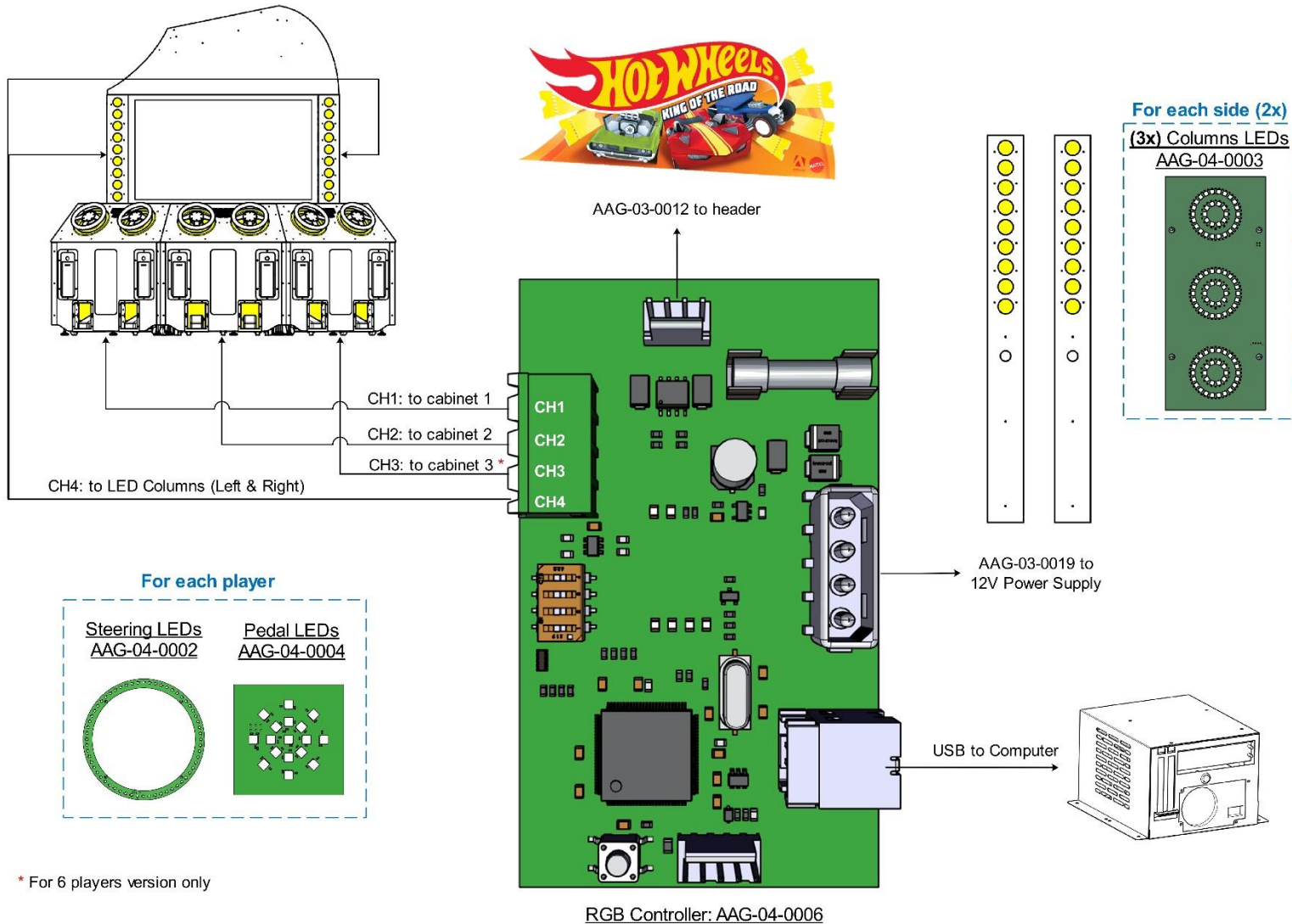
## **Fuse Holders Schematics**

(as seen from the back of the unit when opening the tray)





## RGB LED Schematics



# Chapter 09 – Software Recovery

---

If your unit software needs to be restored, please follow those instructions.

- Connect a USB keyboard to the motherboard.
- Connect the provided USB Recovery flash disk is in a ***Black*** USB port.
- Power on the unit and press F11 on the keyboard to display the boot menu.
- Choose the *UEFI: USB device ~16GB*

The process takes 25-30 minutes and the unit will reboot back in the game at the end. The Wireless credentials will need to be re-entered and Operator settings will be back at the default ones.

# Chapter 10 – Card Reader

---

Configure your Operator settings as seen in Chapter 5 - Operator Menu.

## Embed System

If you are using an Embed system, you need to connect your harnesses to Adrenaline Amusements I/O board & harnesses. You should refer to the Embed instructions manual for wiring pin-out.

The typical Embed settings are *Standard* except:

- Ticket Mech Type: Dumb DC
- Drive Polarity: Positive
- Notch Polarity: Negative
- Game ticket notch width = 6 (60ms)
- Game ticket notch spacing = 24 (240ms)
- Game Drive Threshold = 15 (1.5V or 1500mV)
- Drive Debounce = 40ms



# Limited Warranty Policies

---

Customers must provide the unit serial number when claiming any warranty request.

Adrenaline Amusements (AAGames) warrants this Arcade unit (Including accessories) against defects in material or workmanship as follows:

This unit has a 1-year warranty against defective hardware from date of delivery.

Other than abuse or improper servicing, Adrenaline Amusements covers at no charge the replacement parts including standard shipping.

We offer an advanced replacement program and the customers have 30 days from delivery date to return back the defective equipment at their fees or they will be charged automatically for the replacement parts.

**Improper servicing or abuse will VOID existing warranties.**

All warranty request needs to be validated with our technical support department.

After the 1-year warranty, Adrenaline Amusements offers repairs & sales services options. Please contact the technical support department for information.

Adrenaline Amusements  
2273 Antonio-Héroux street  
Terrebonne, QC  
J6X 4R3 Canada  
+1.450.824.1671