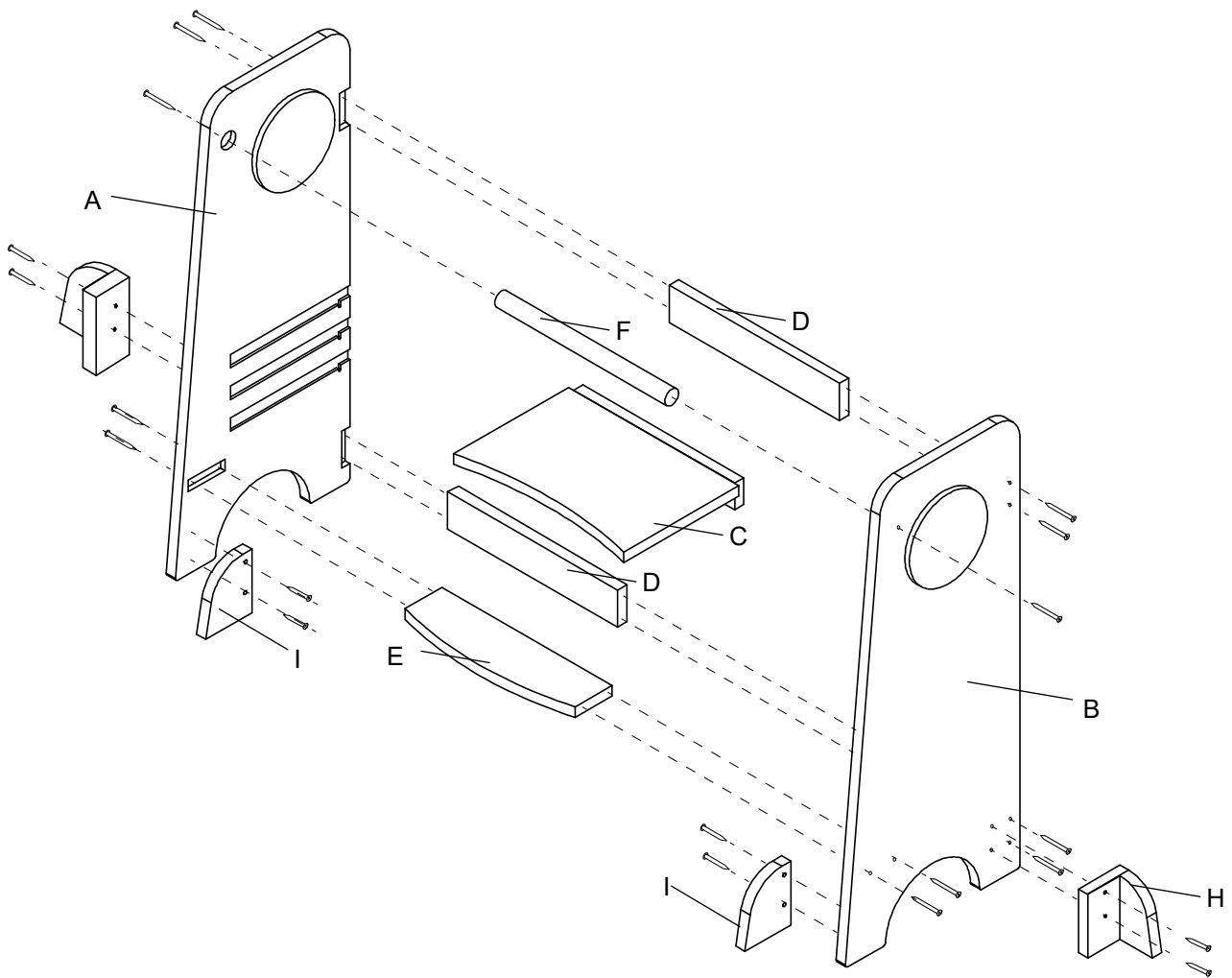
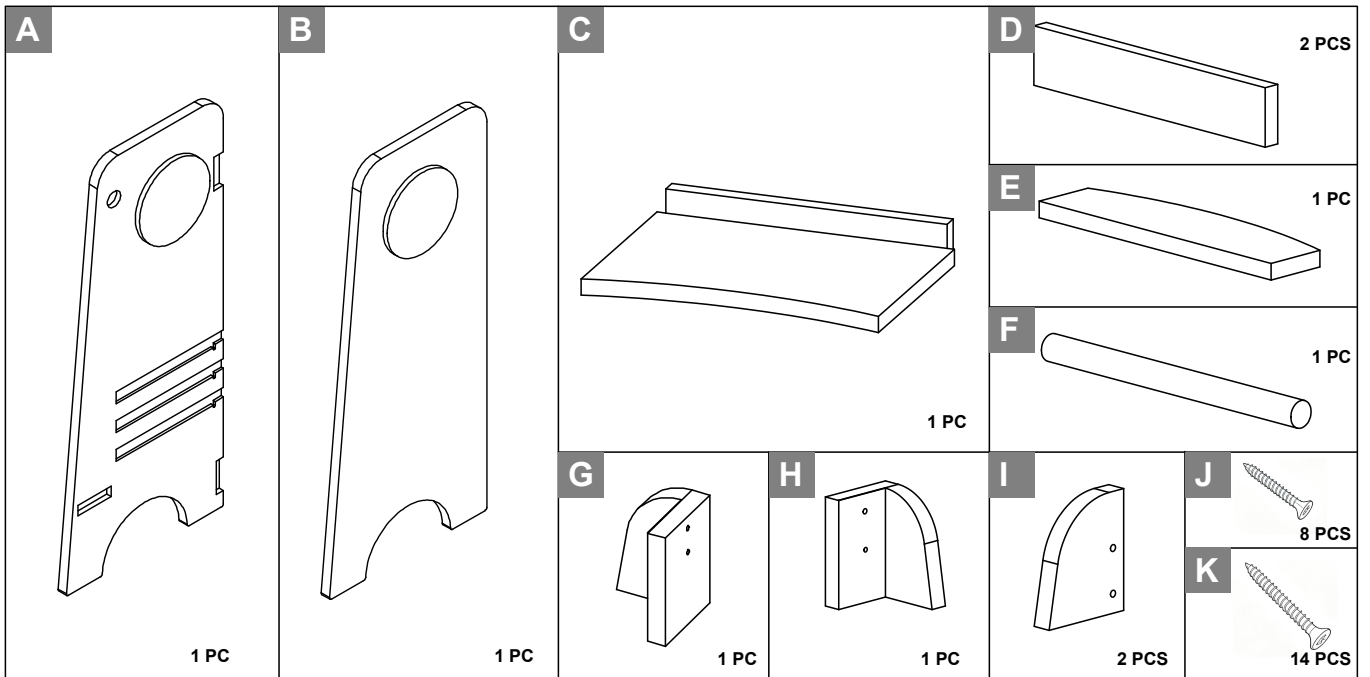
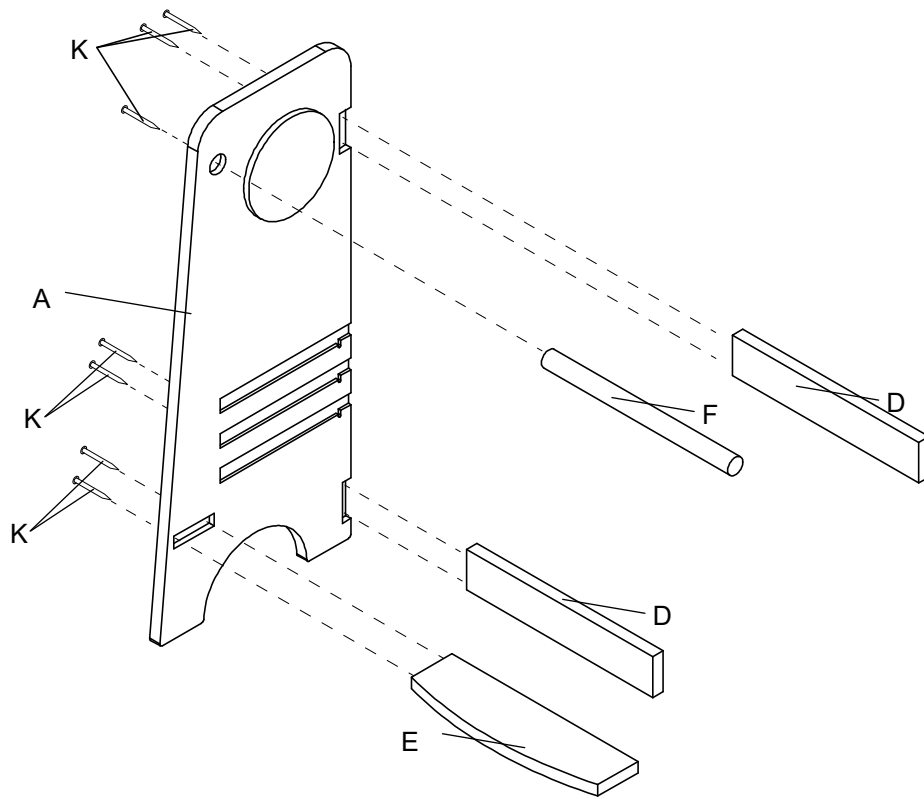


Manual

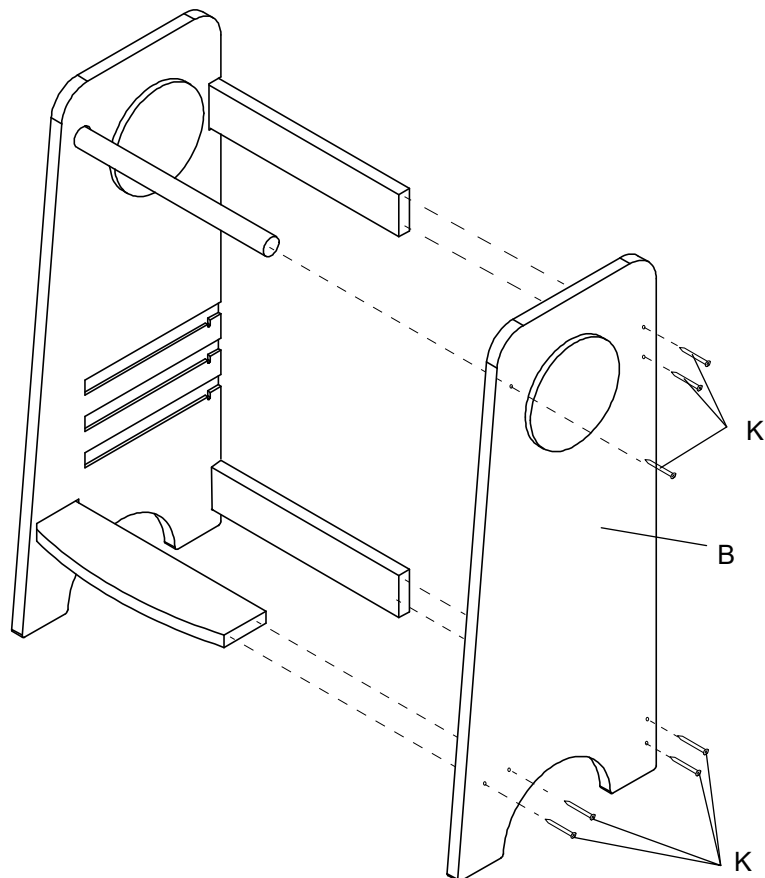
PART LIST



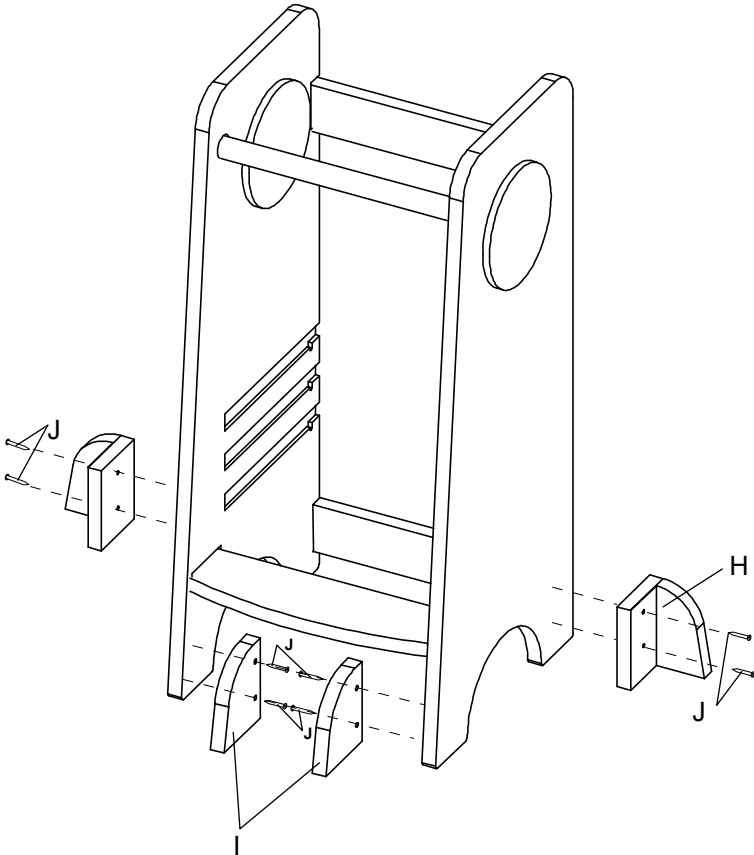
STEP 1.



STEP 2.



STEP 3.



STEP 4.

