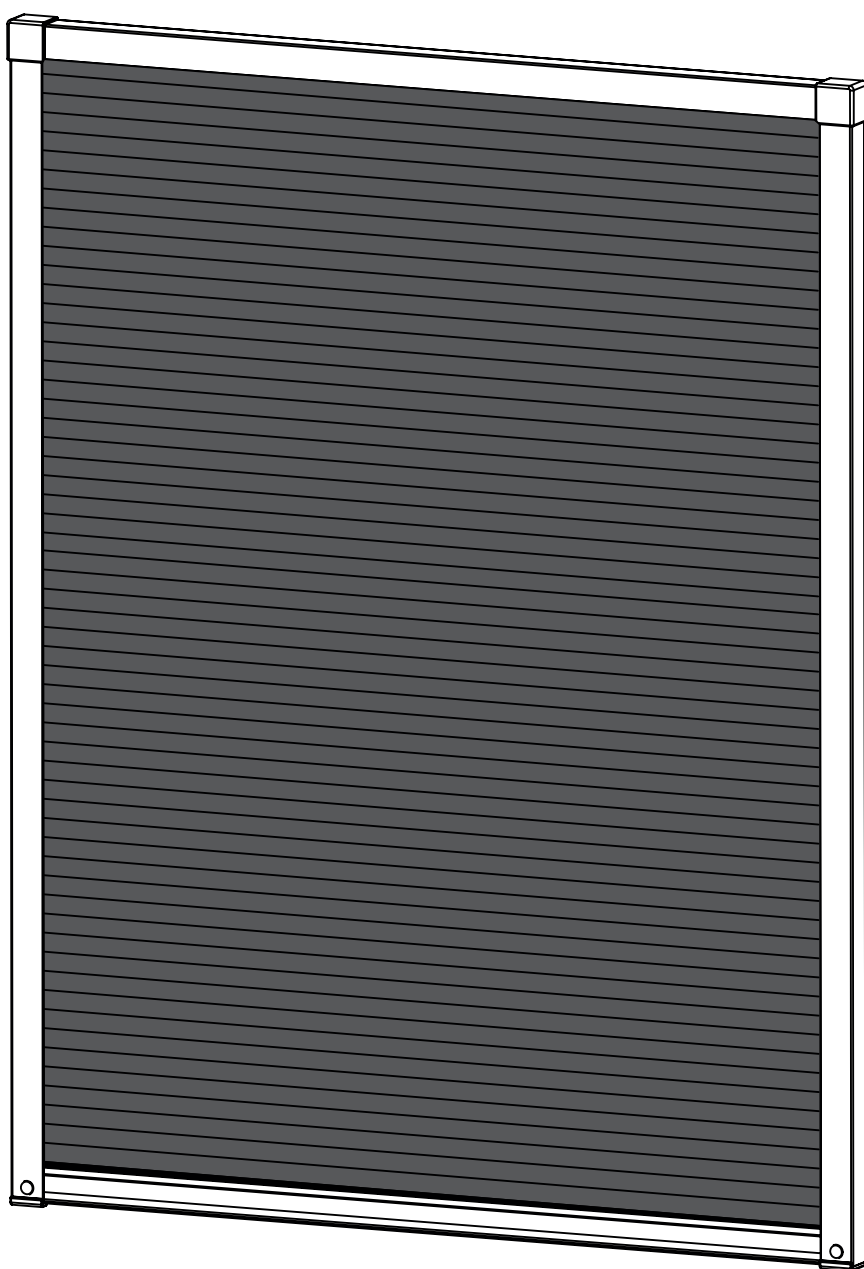
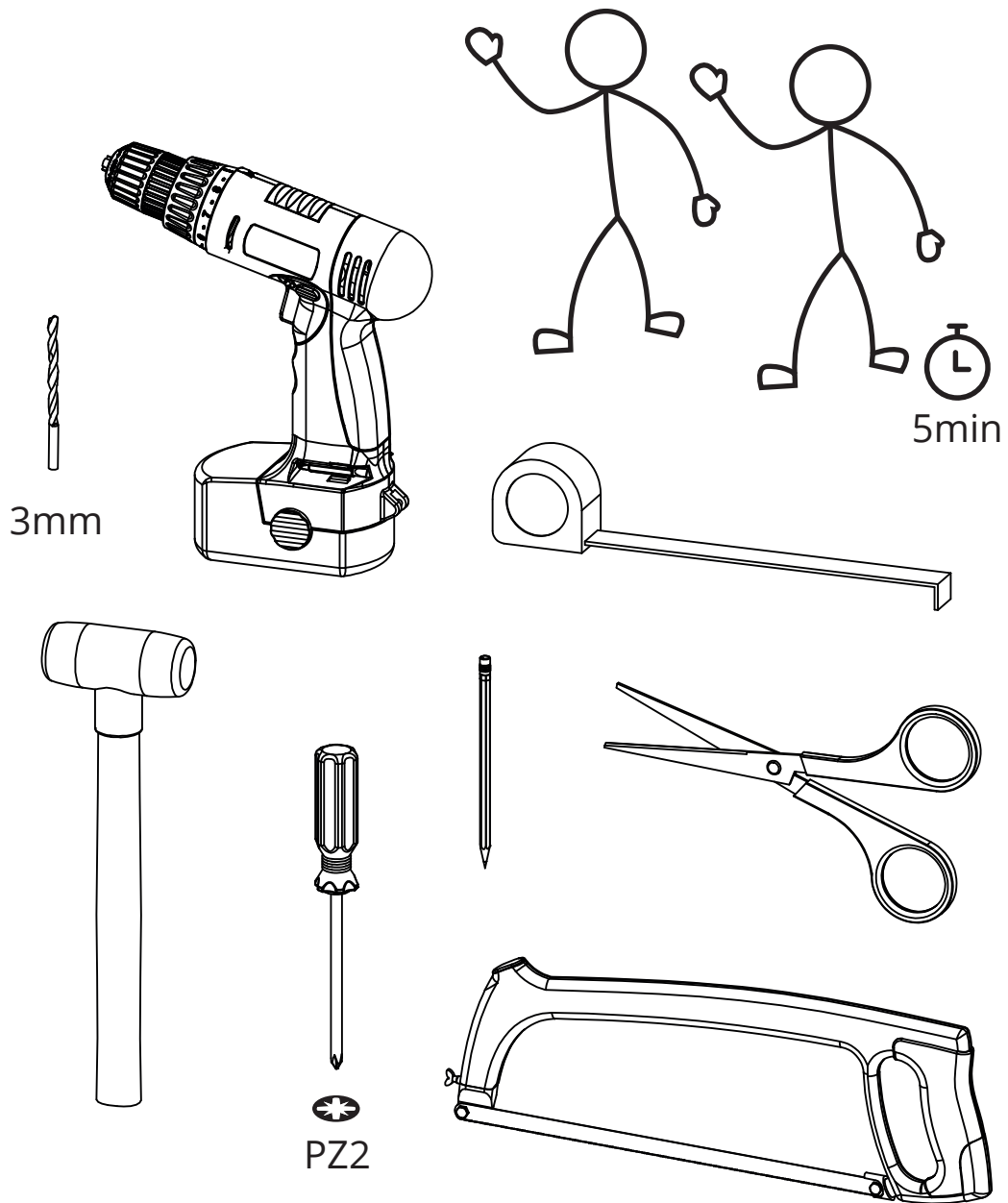
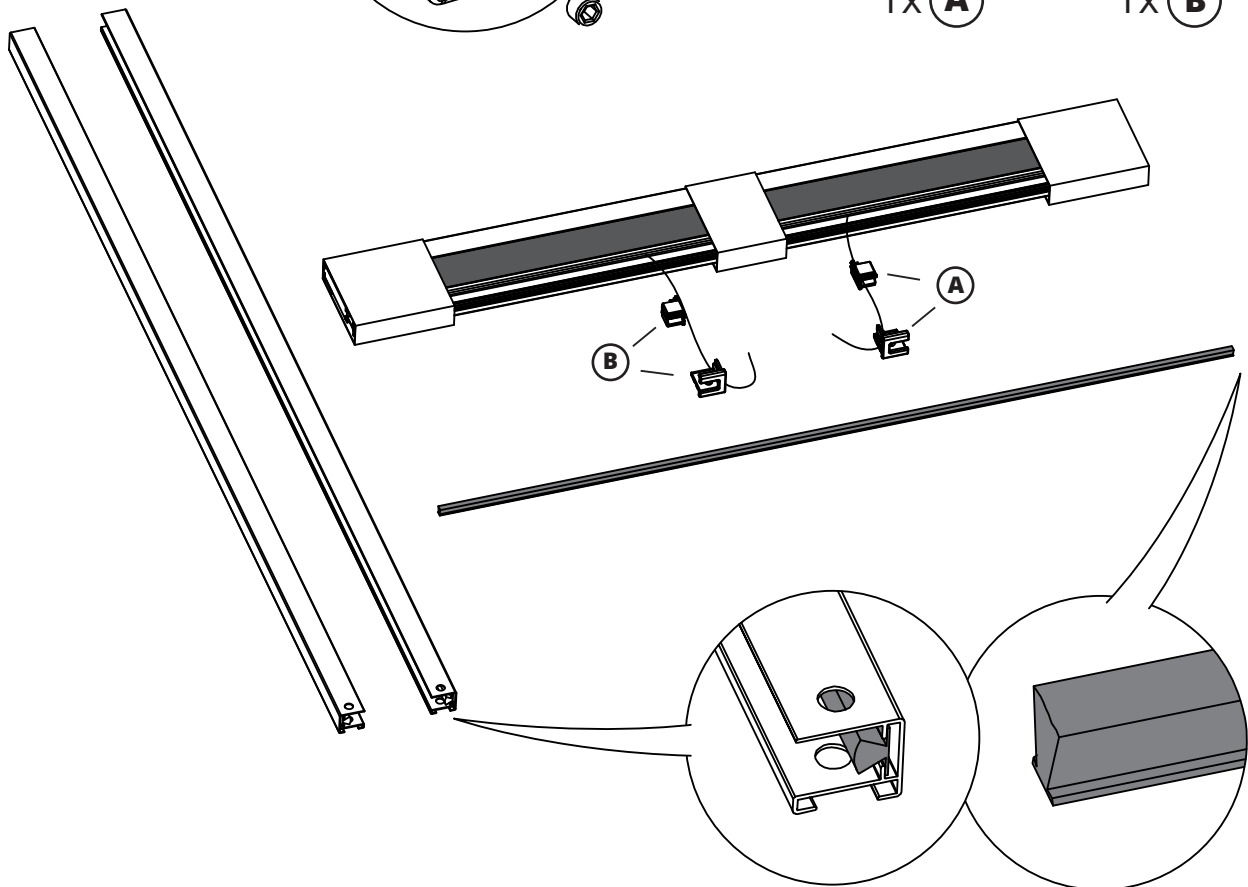
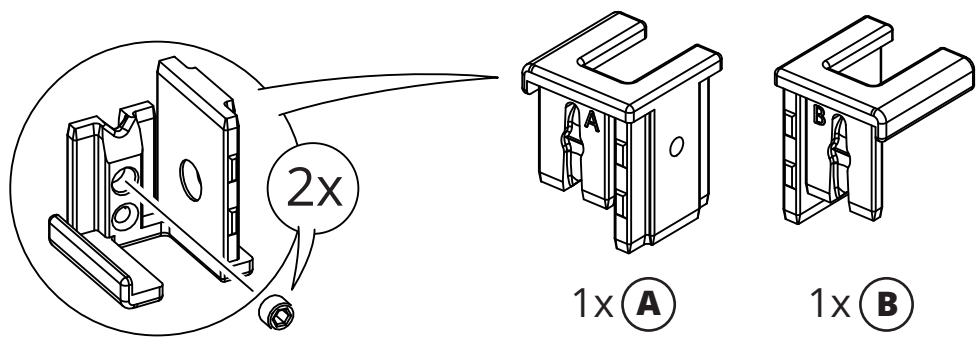
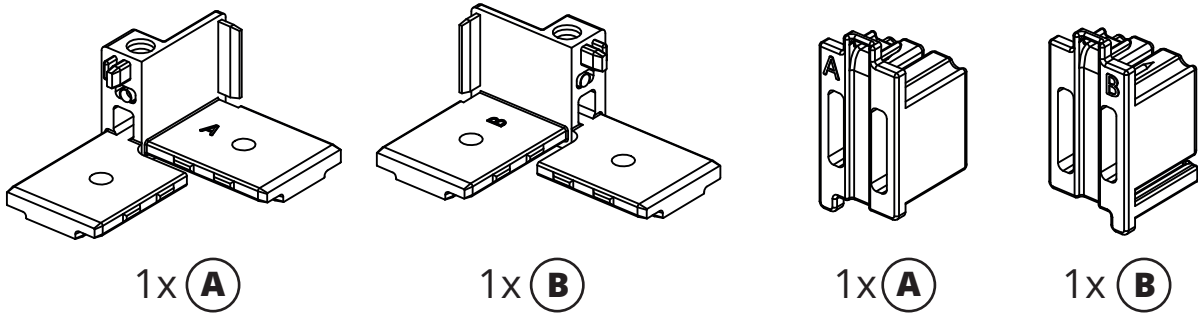
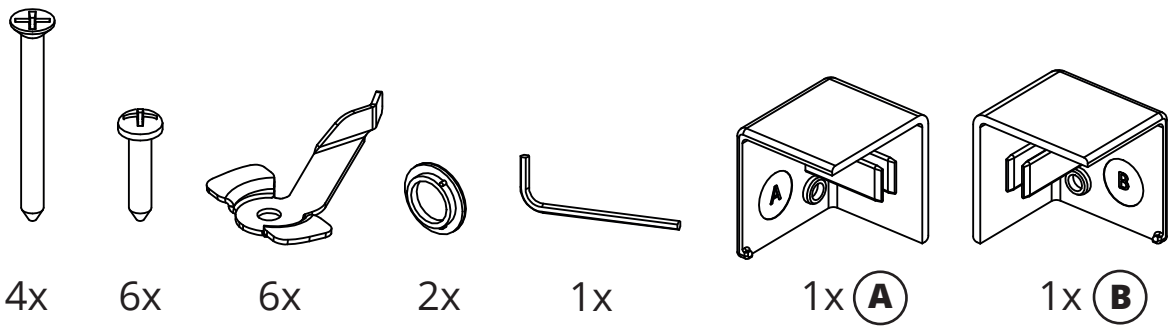


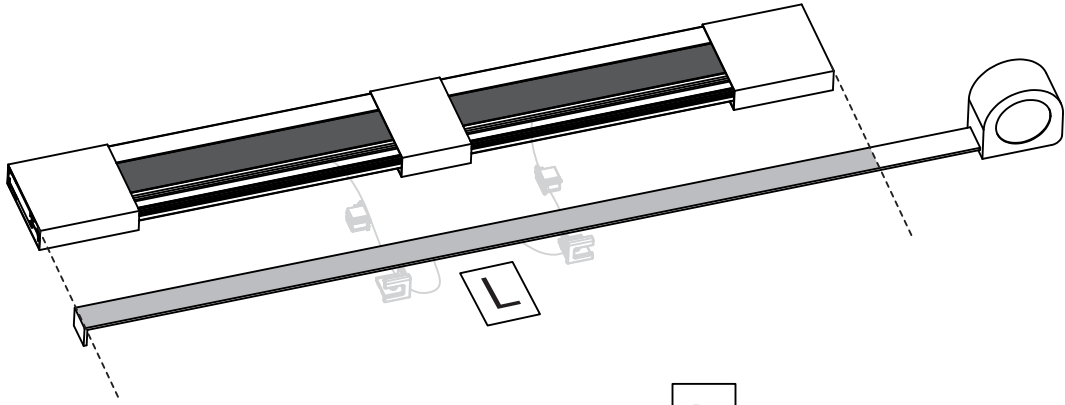
UNO PLISSEE





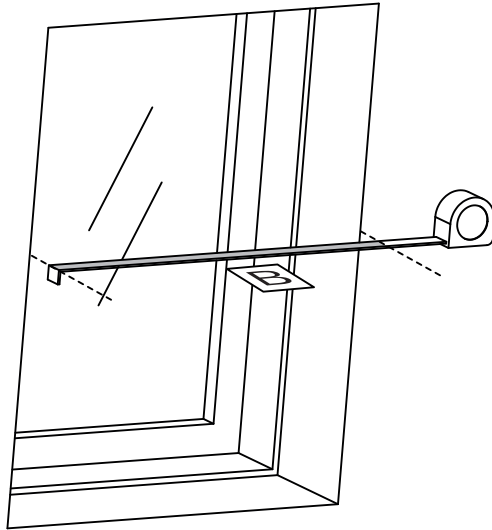


1



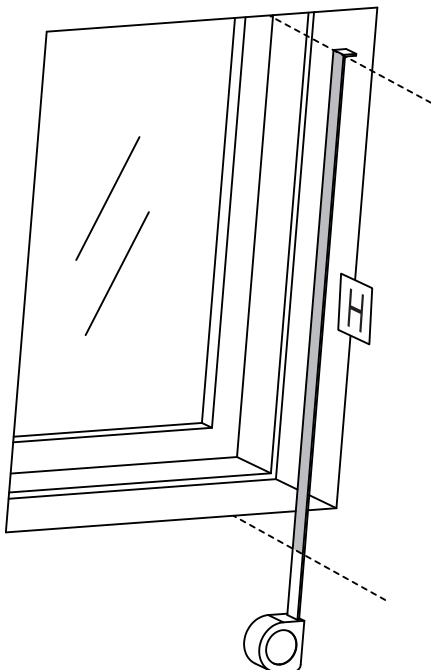
L = _____ , _____ cm

2



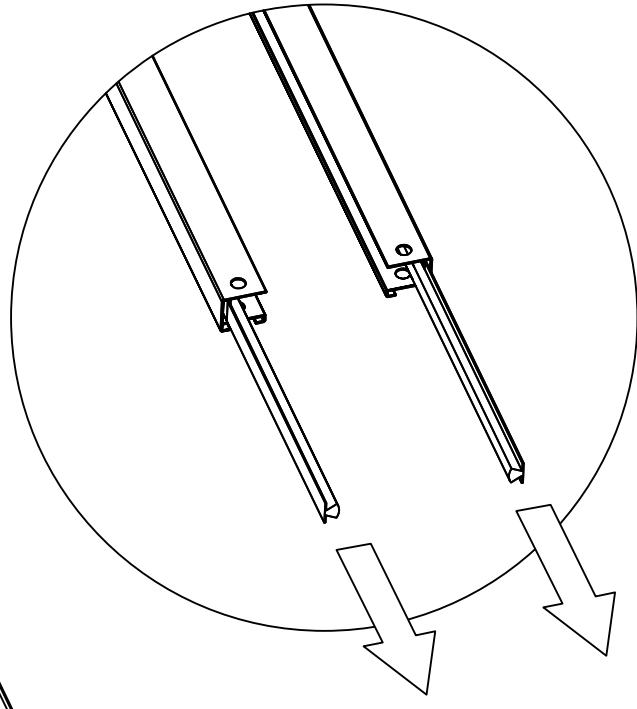
B = _____ , _____ cm

3

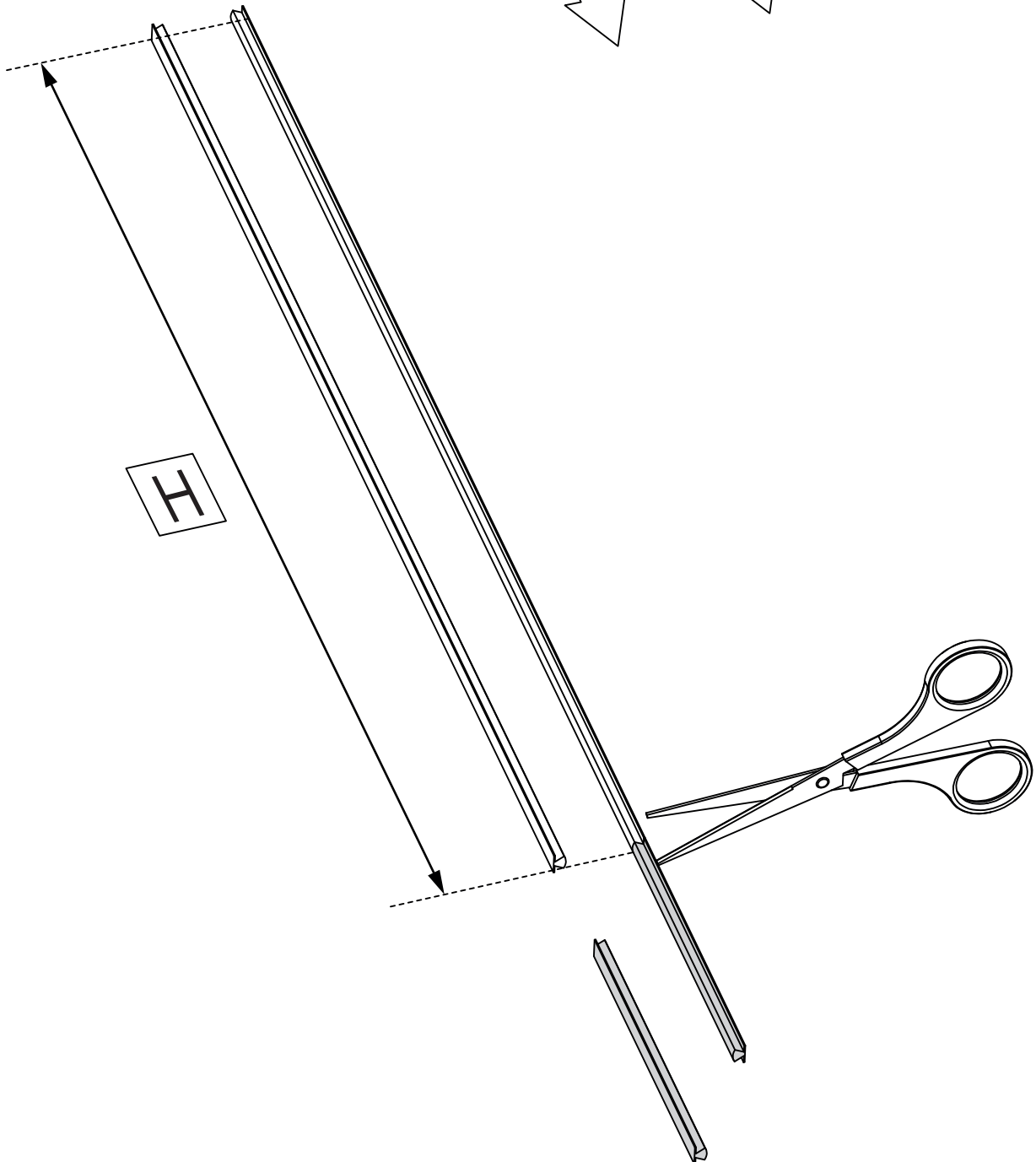


H = _____ , _____ cm

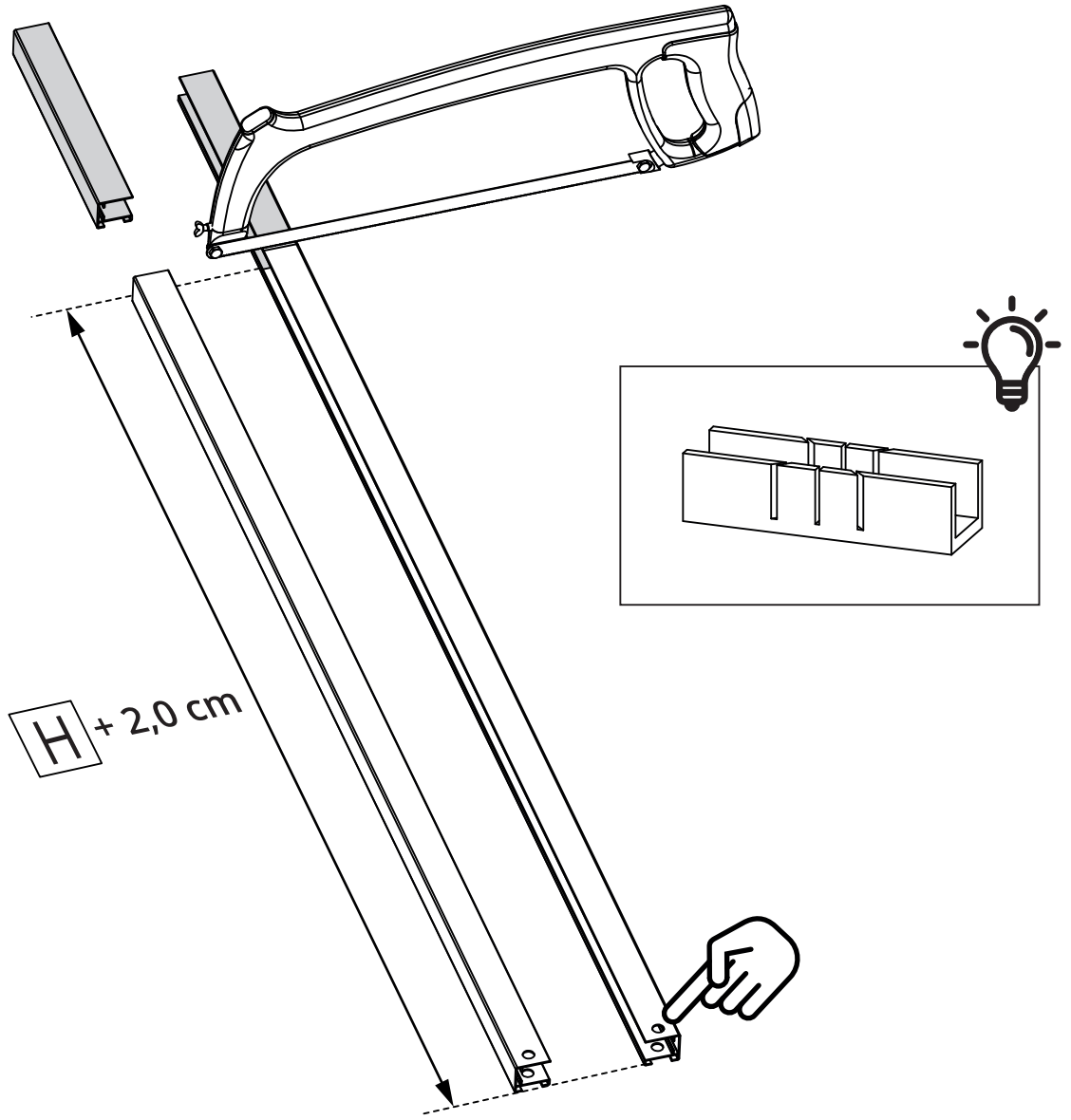
4



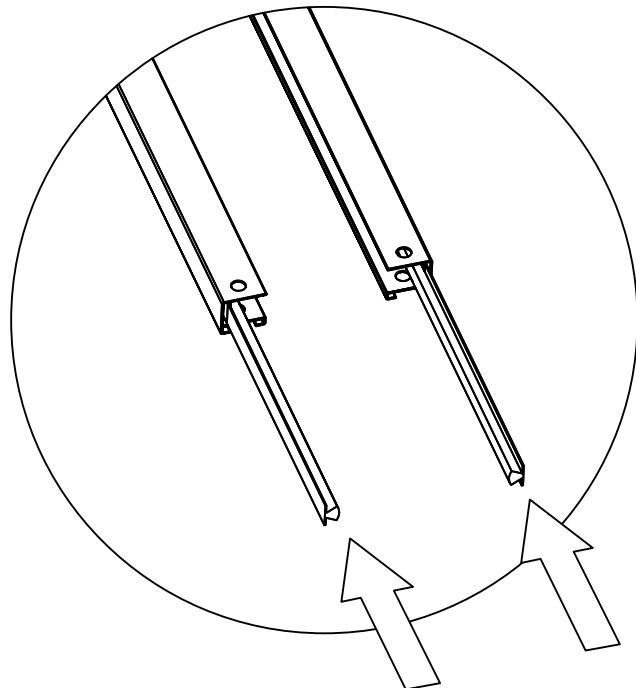
5



6



7



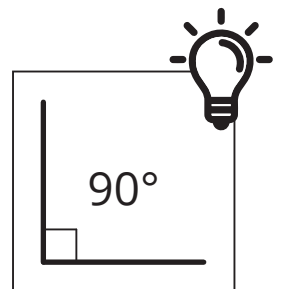
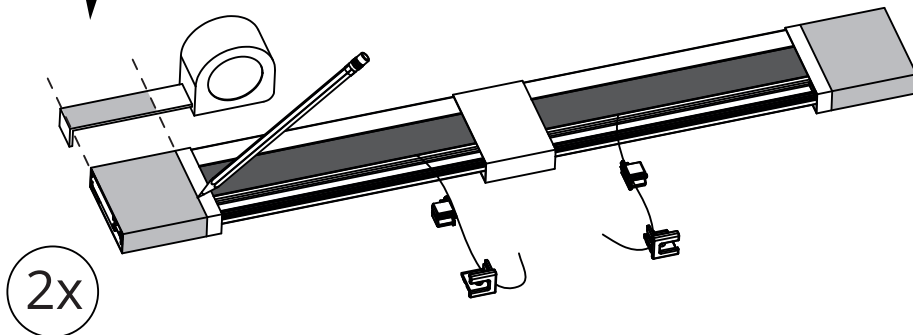
8

a) $L - B = \underline{\quad}, \underline{\quad} \text{ cm} - \underline{\quad}, \underline{\quad} \text{ cm} = \underline{\quad}, \underline{\quad} \text{ cm}$

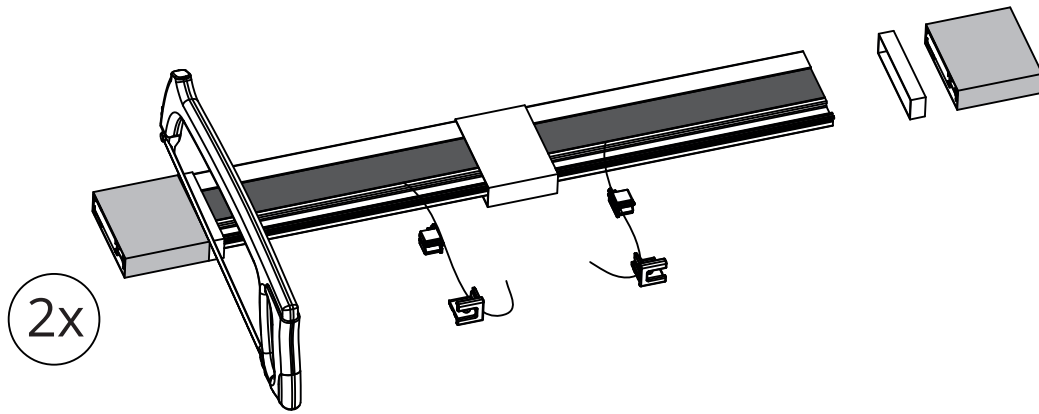
b) $\underline{\quad}, \underline{\quad} \text{ cm} - 3,0 \text{ cm} = \underline{\quad}, \underline{\quad} \text{ cm}$

c) $\frac{\underline{\quad}, \underline{\quad} \text{ cm}}{2} = \boxed{\underline{\quad}, \underline{\quad} \text{ cm}}$

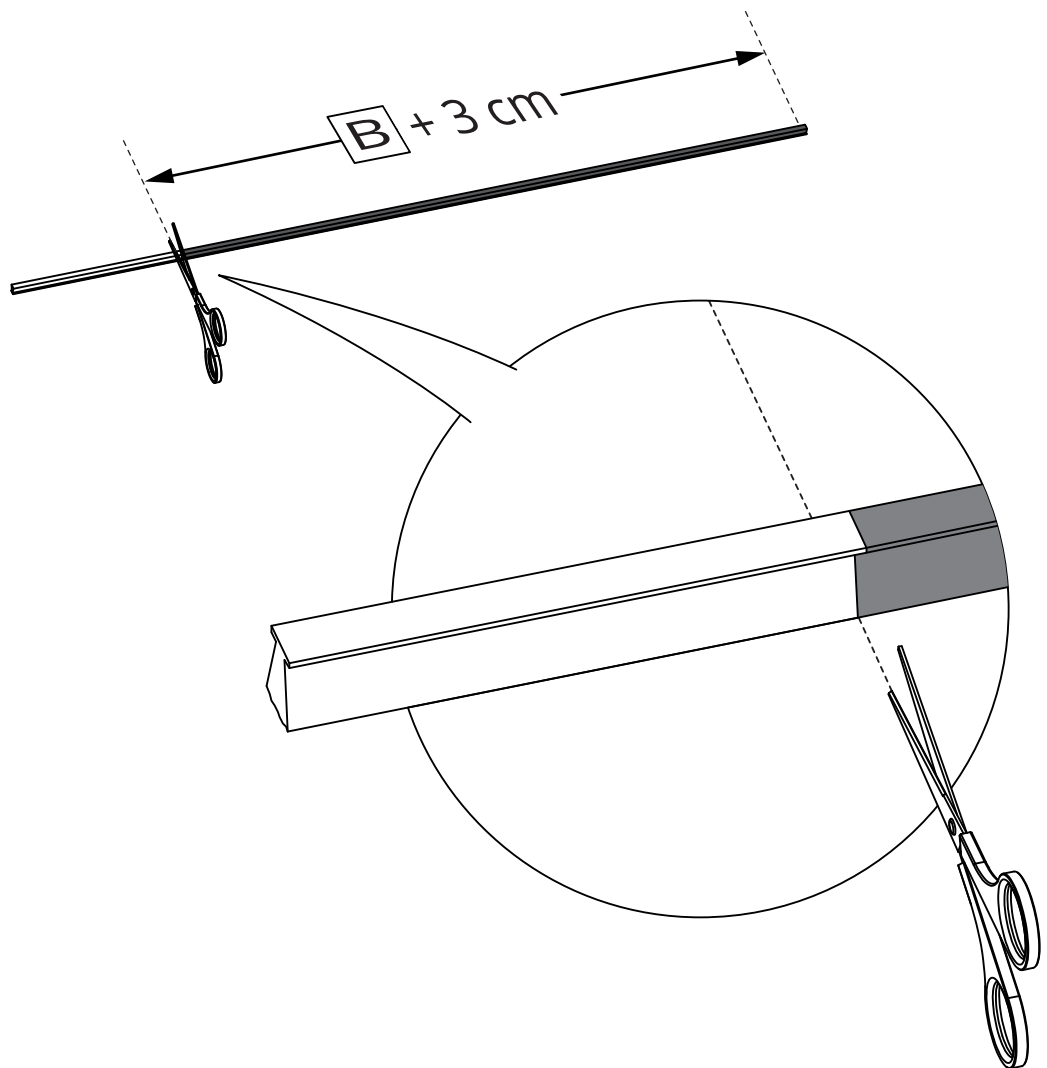
9



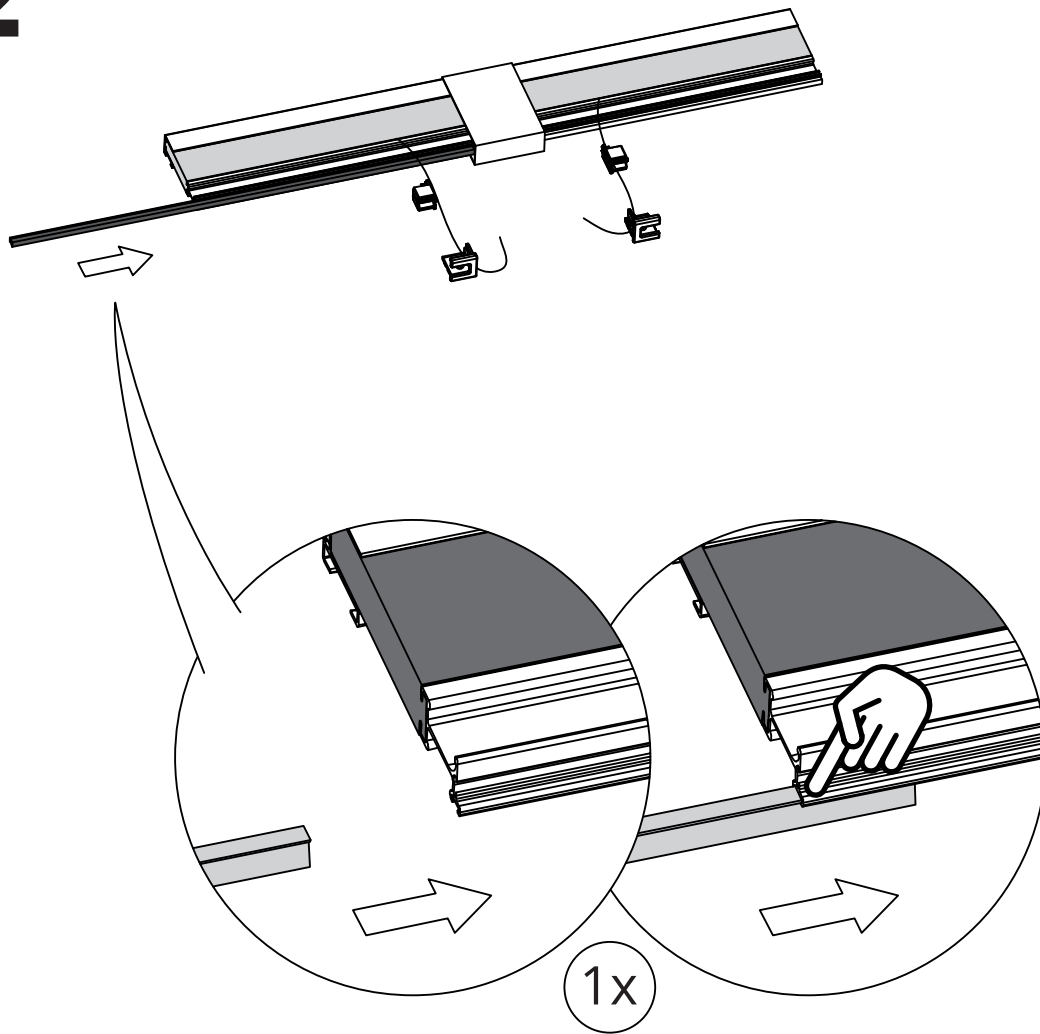
10



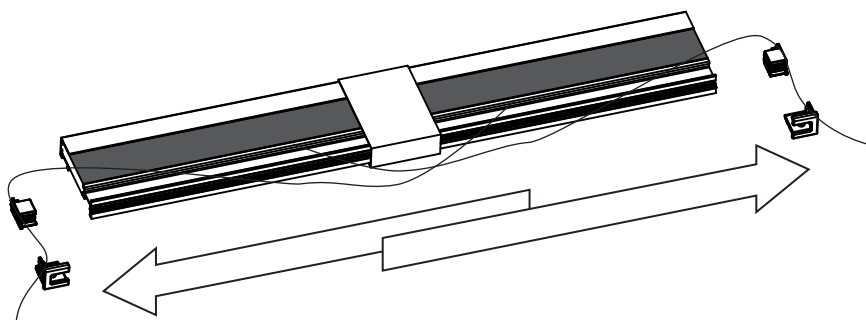
11



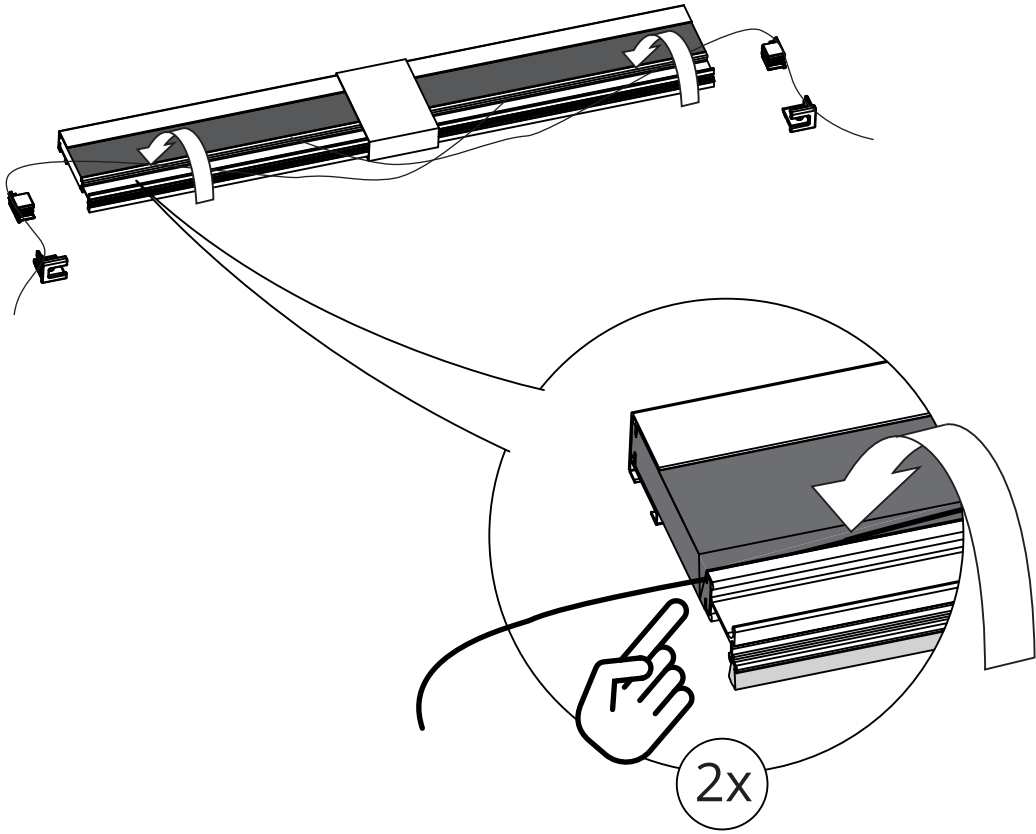
12



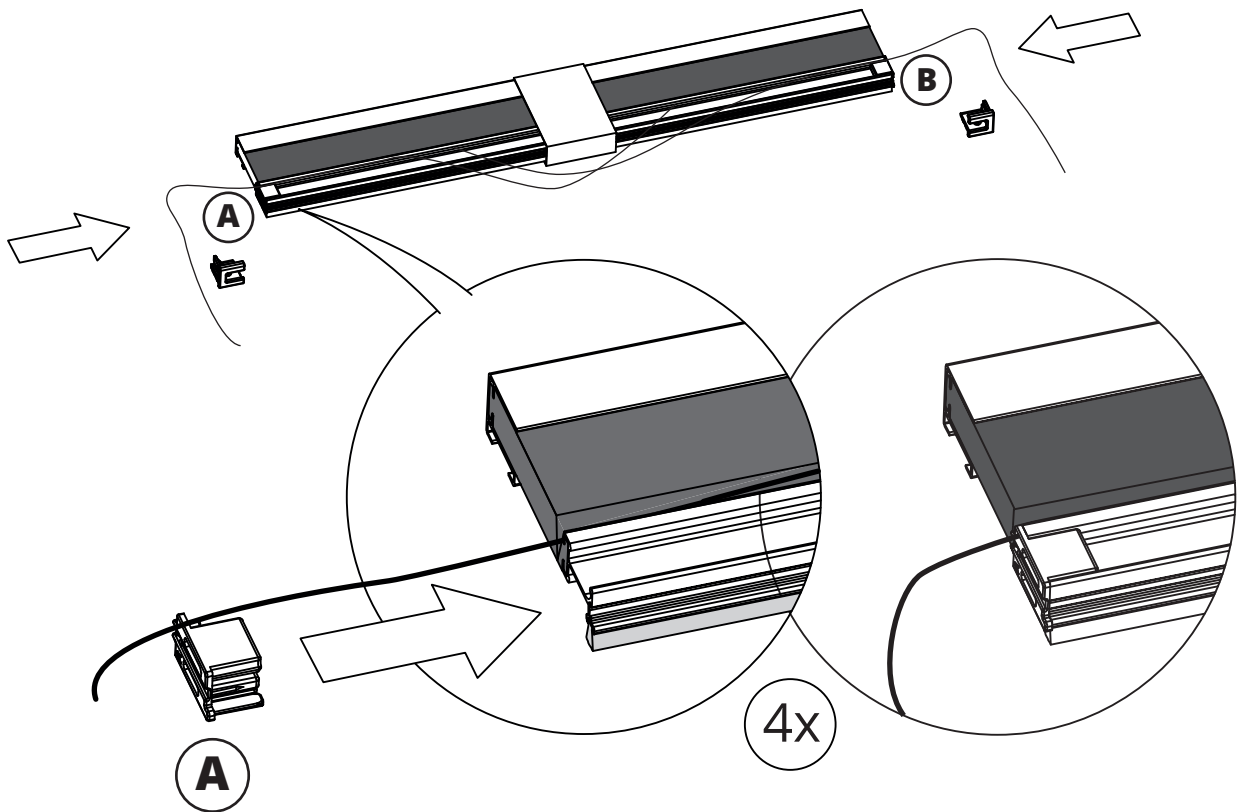
13



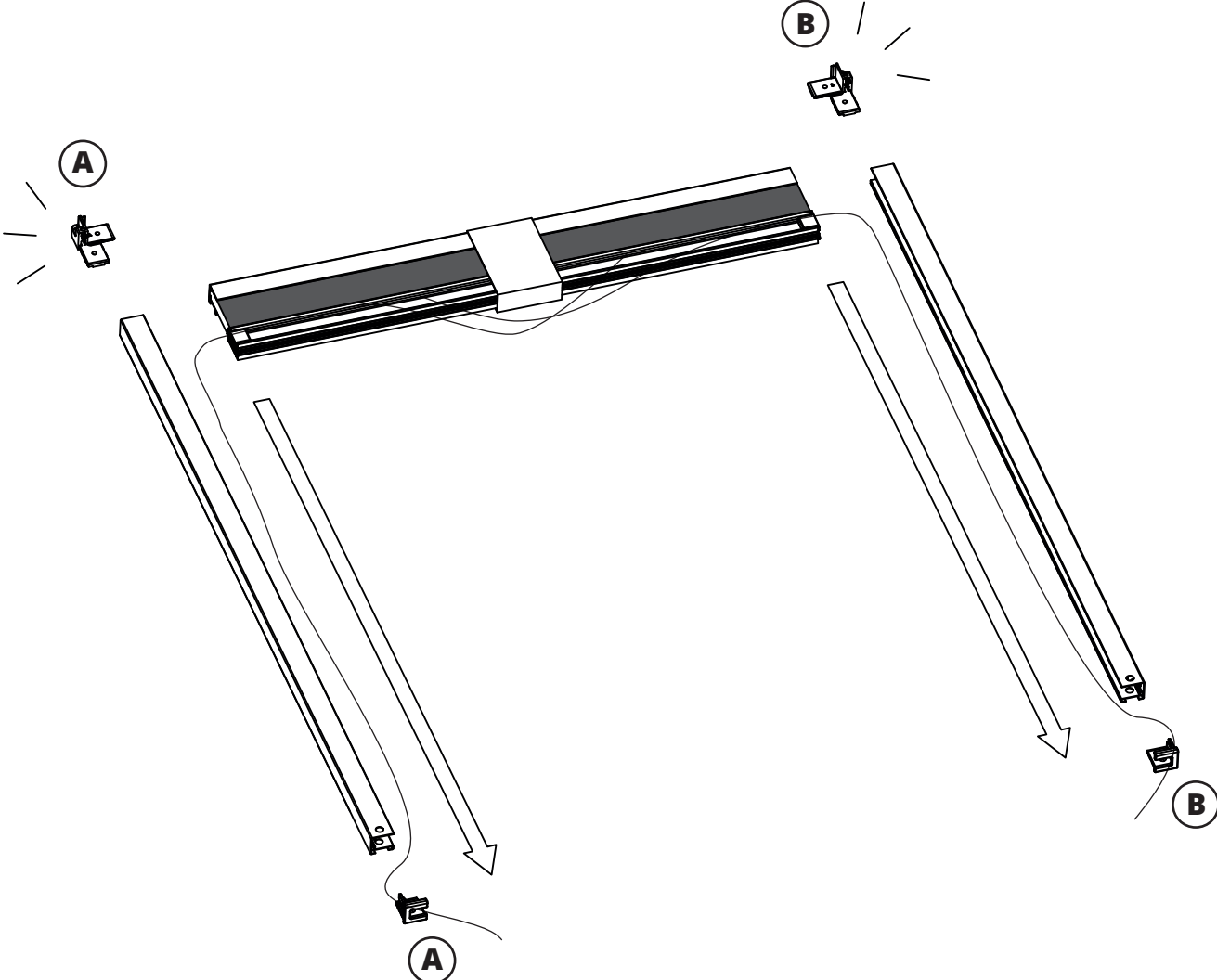
14



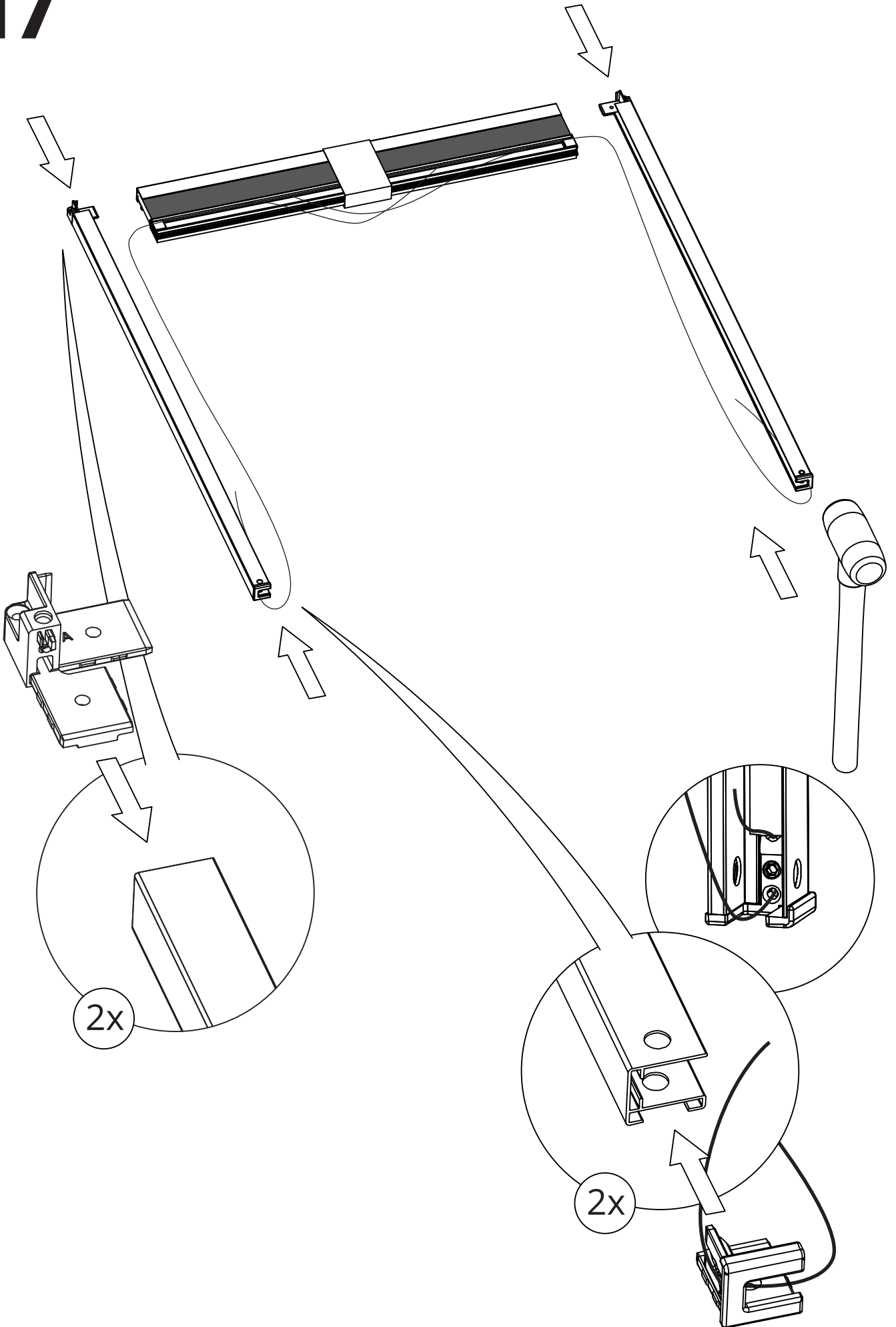
15



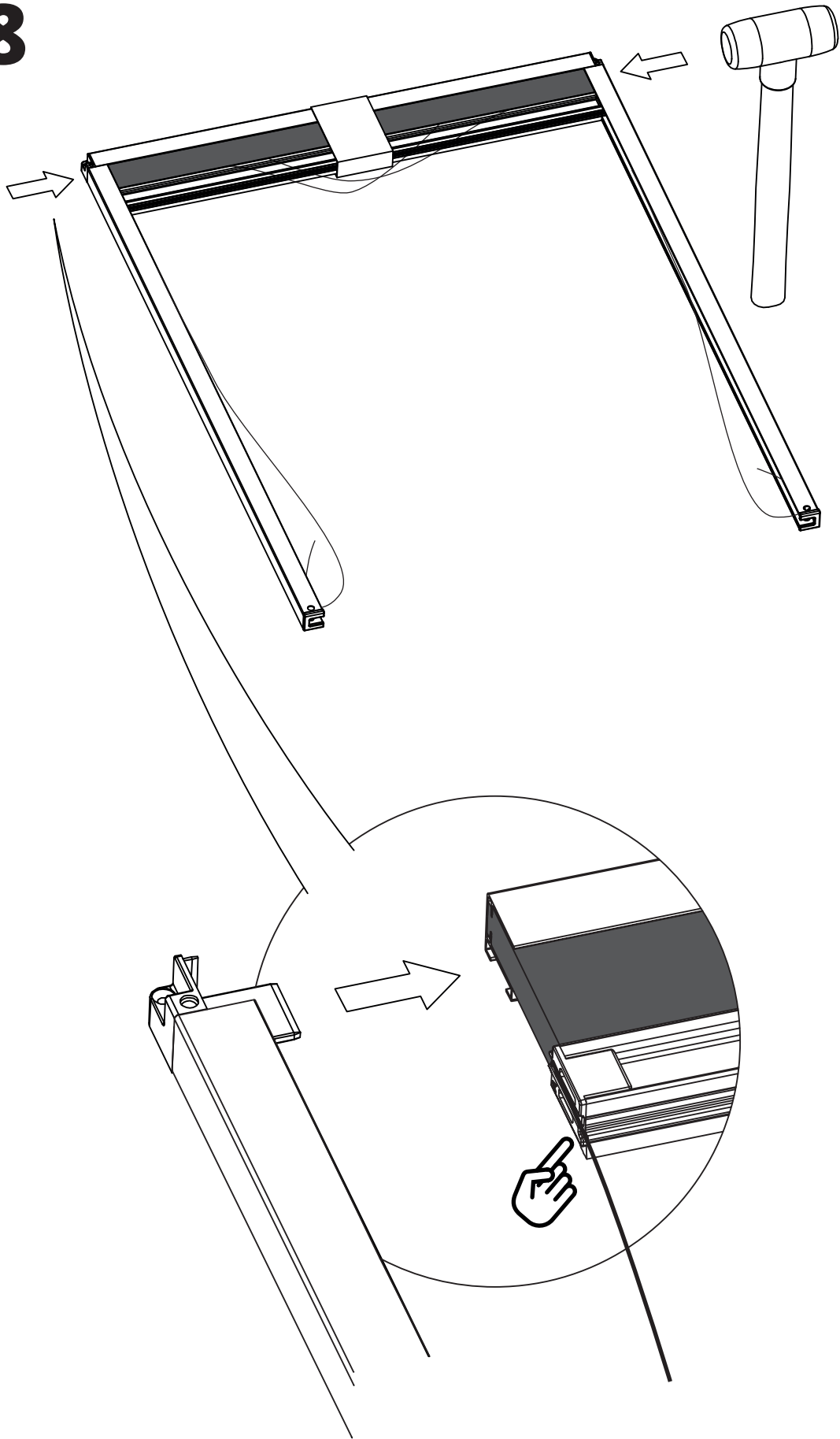
16



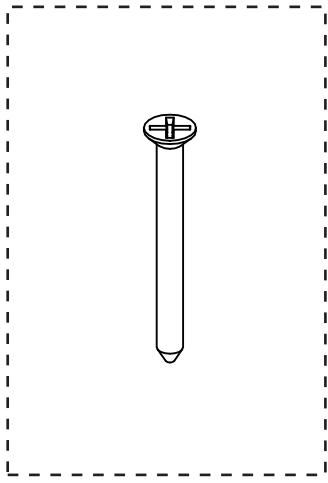
17



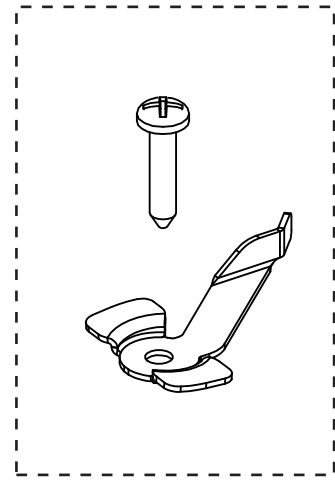
18



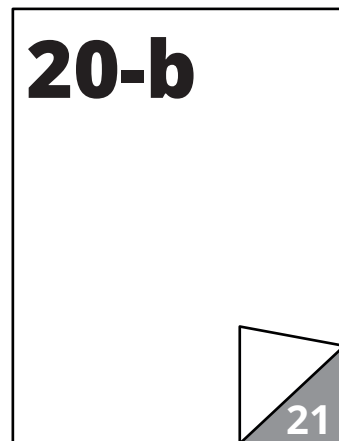
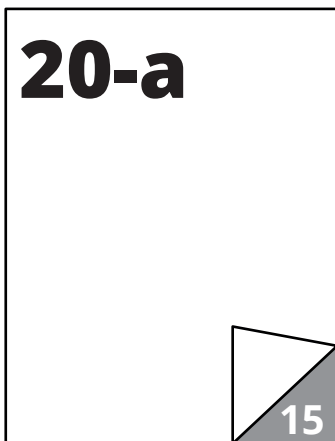
19

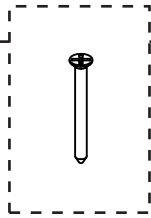


4x



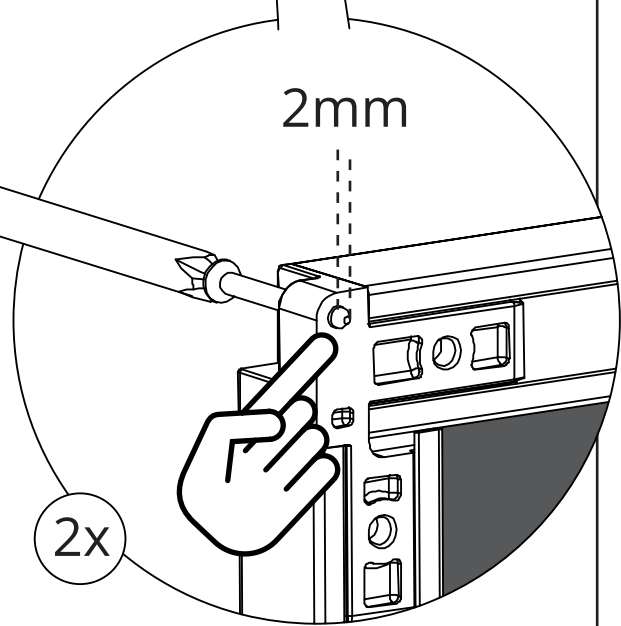
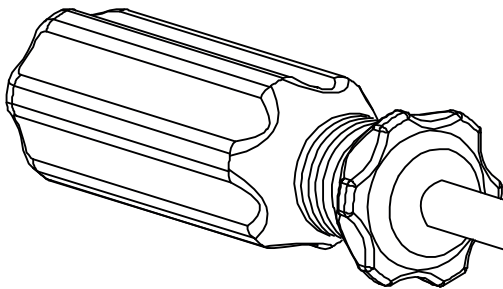
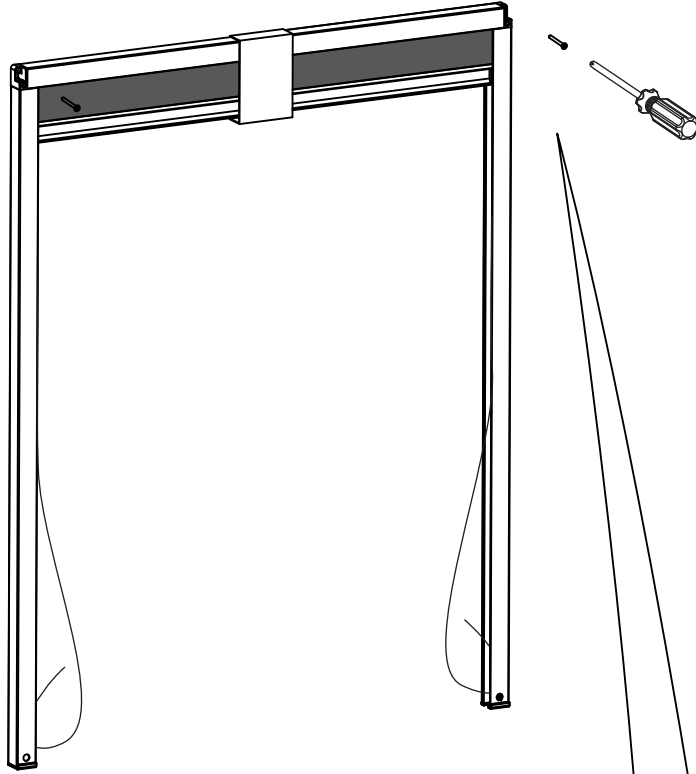
6x

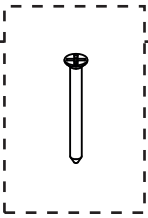




4x

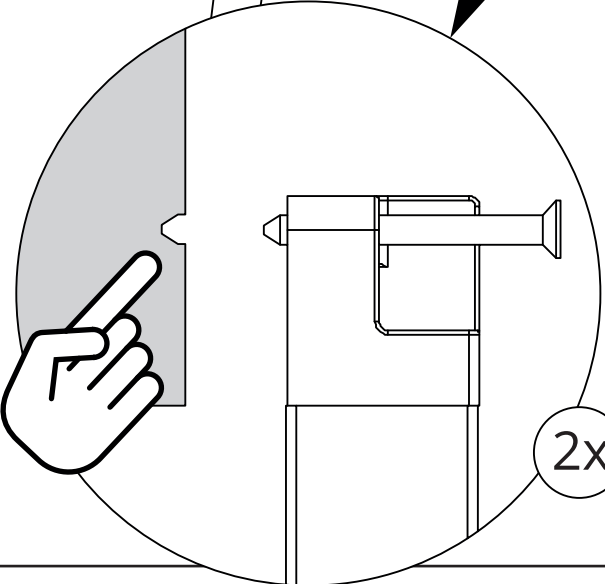
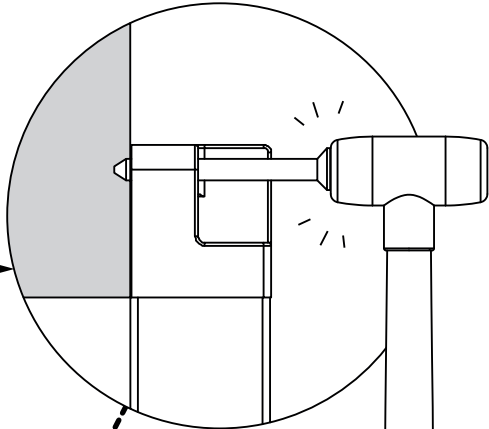
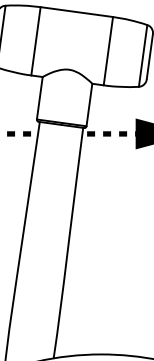
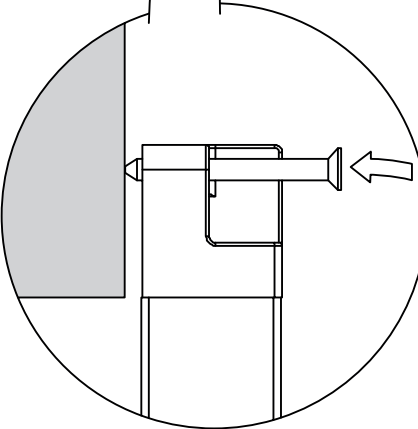
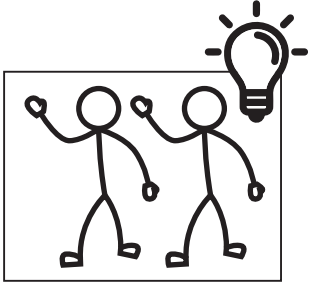
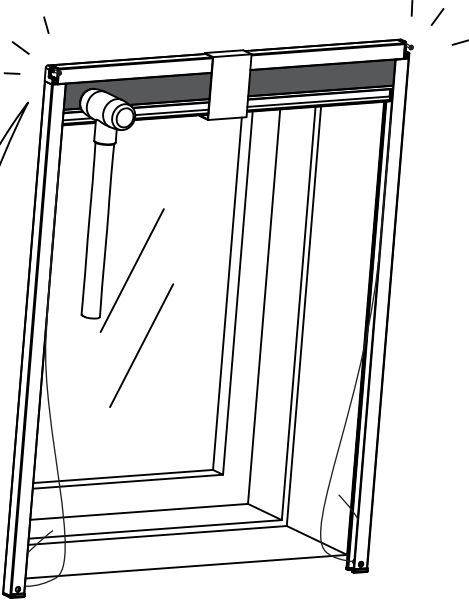
20-a

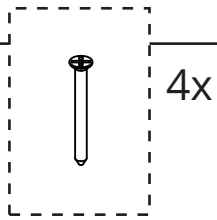




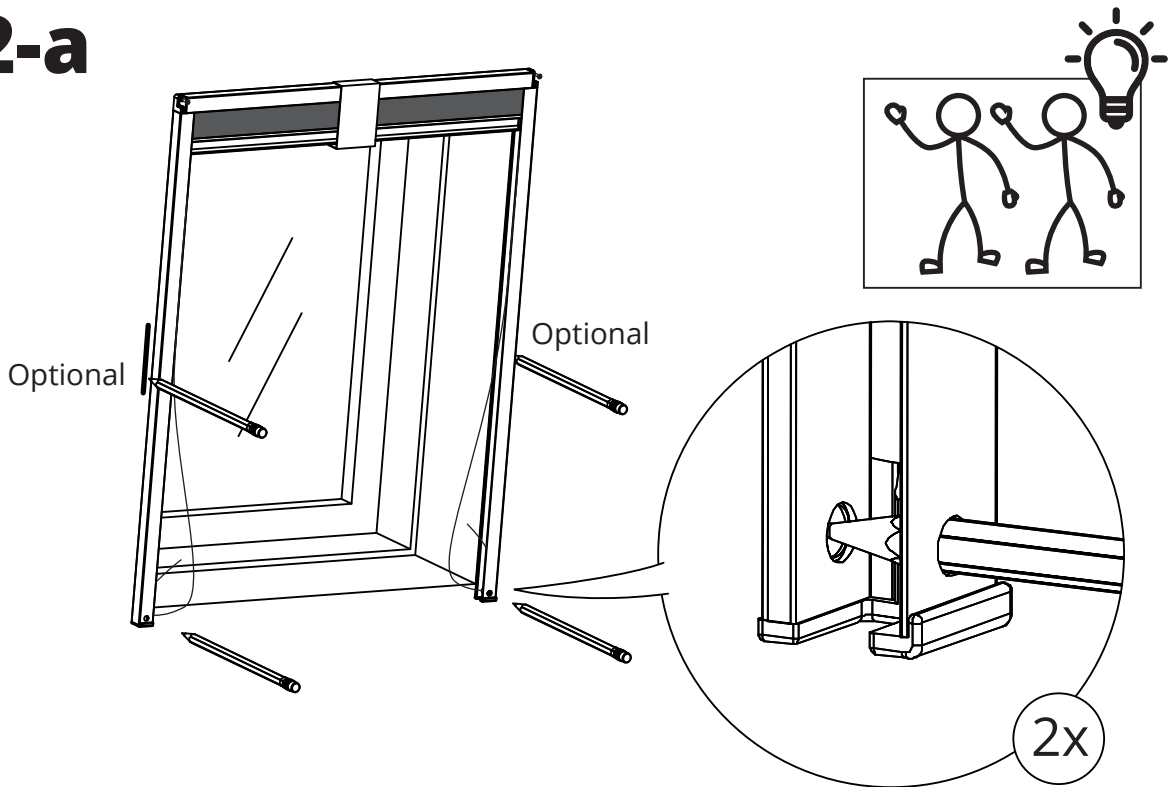
4x

21-a

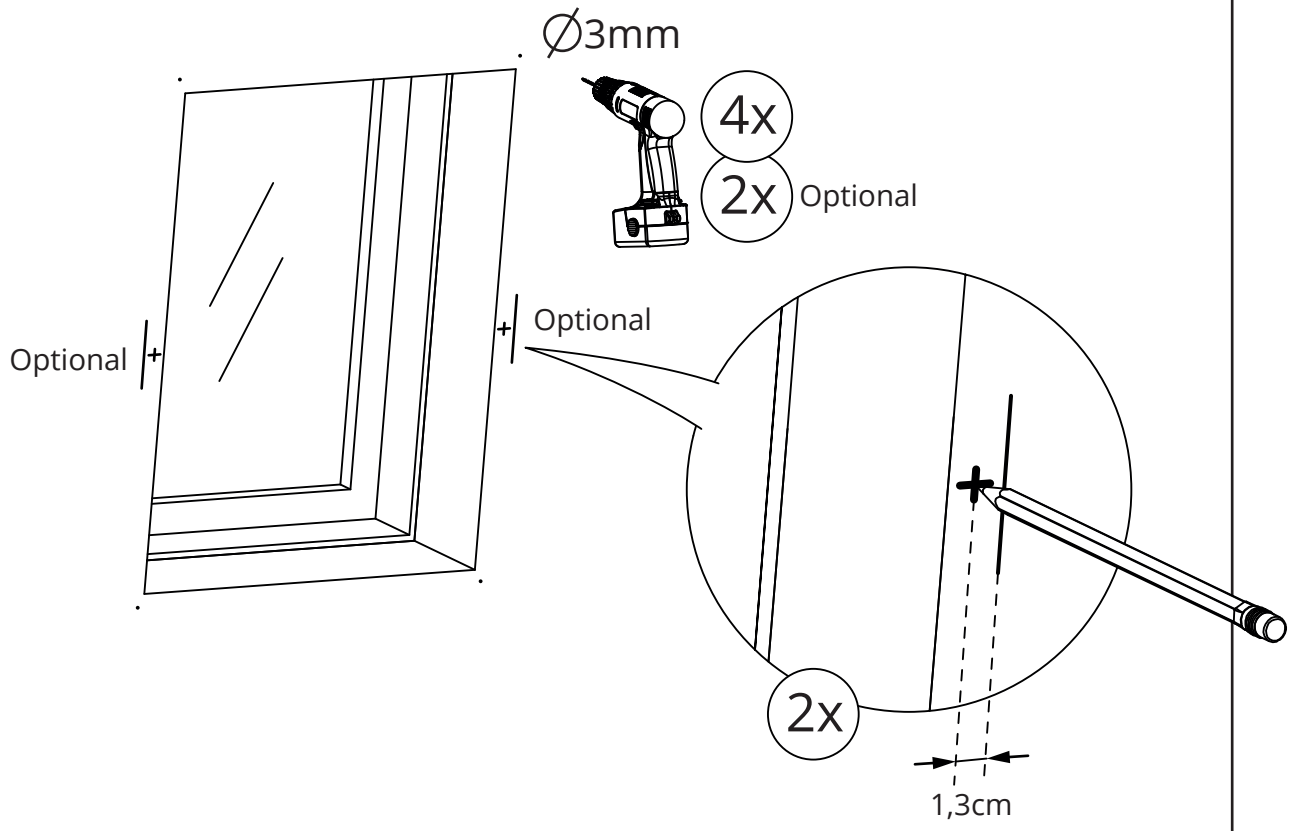


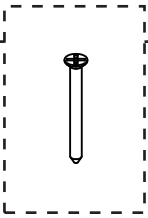


22-a



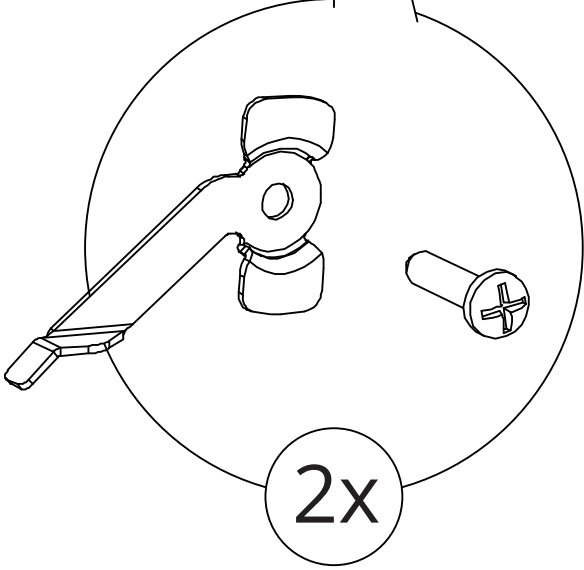
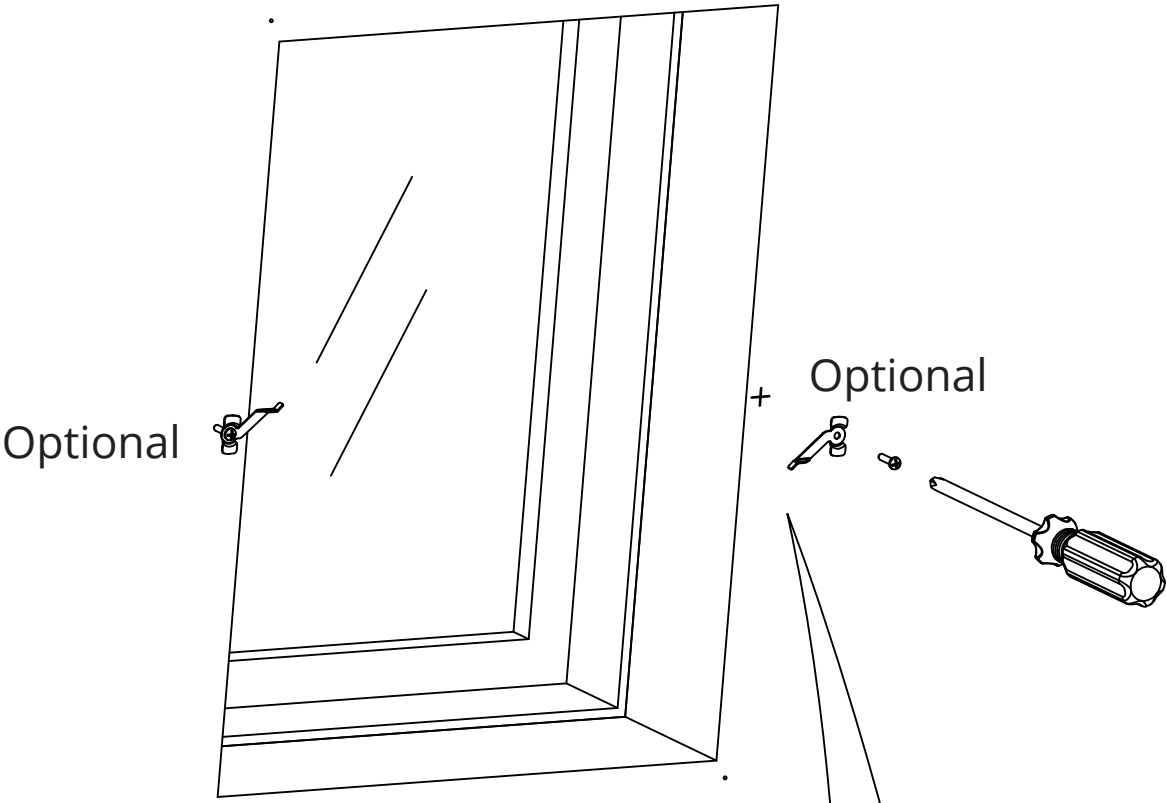
23-a

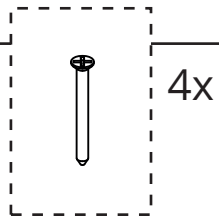




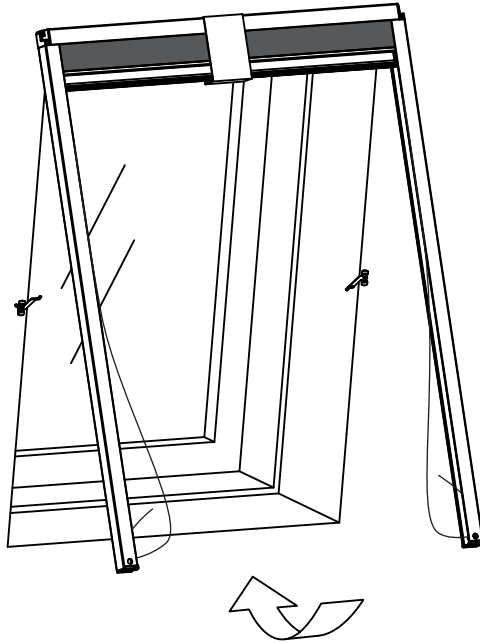
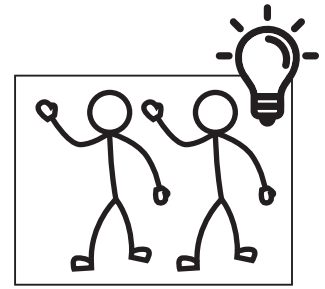
4x

24-a

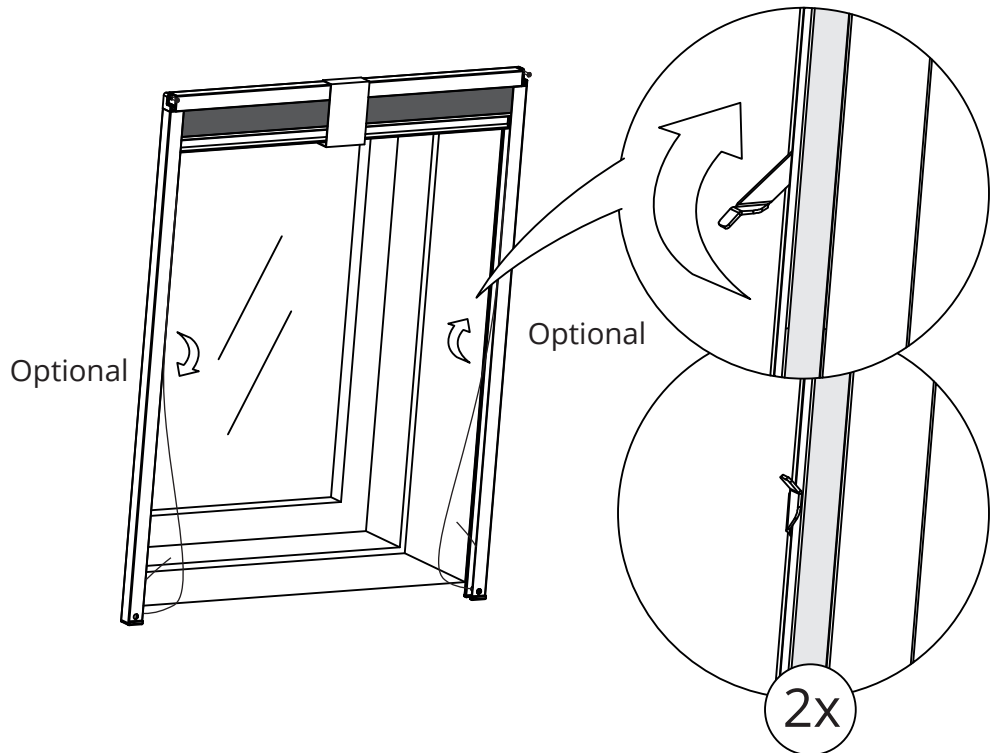


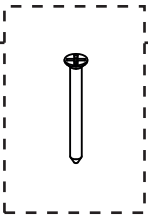


25-a



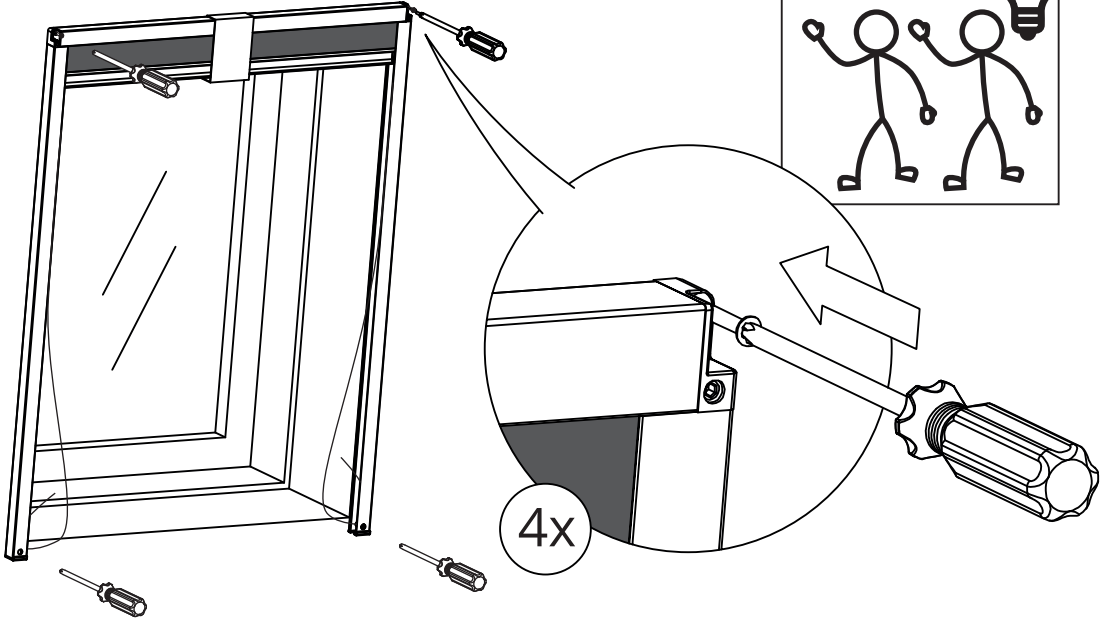
26-a





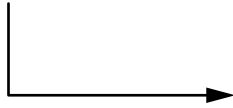
4x

27-a

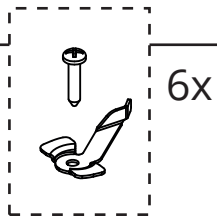


4x

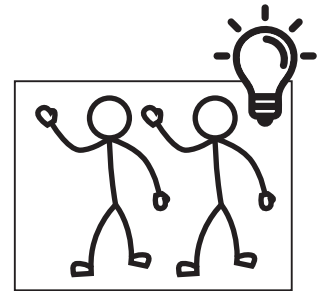
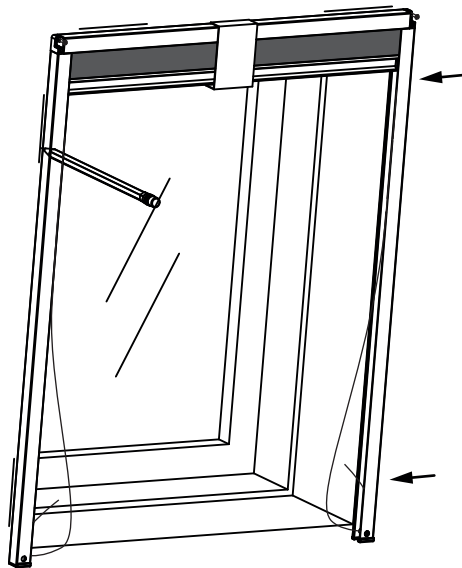
28



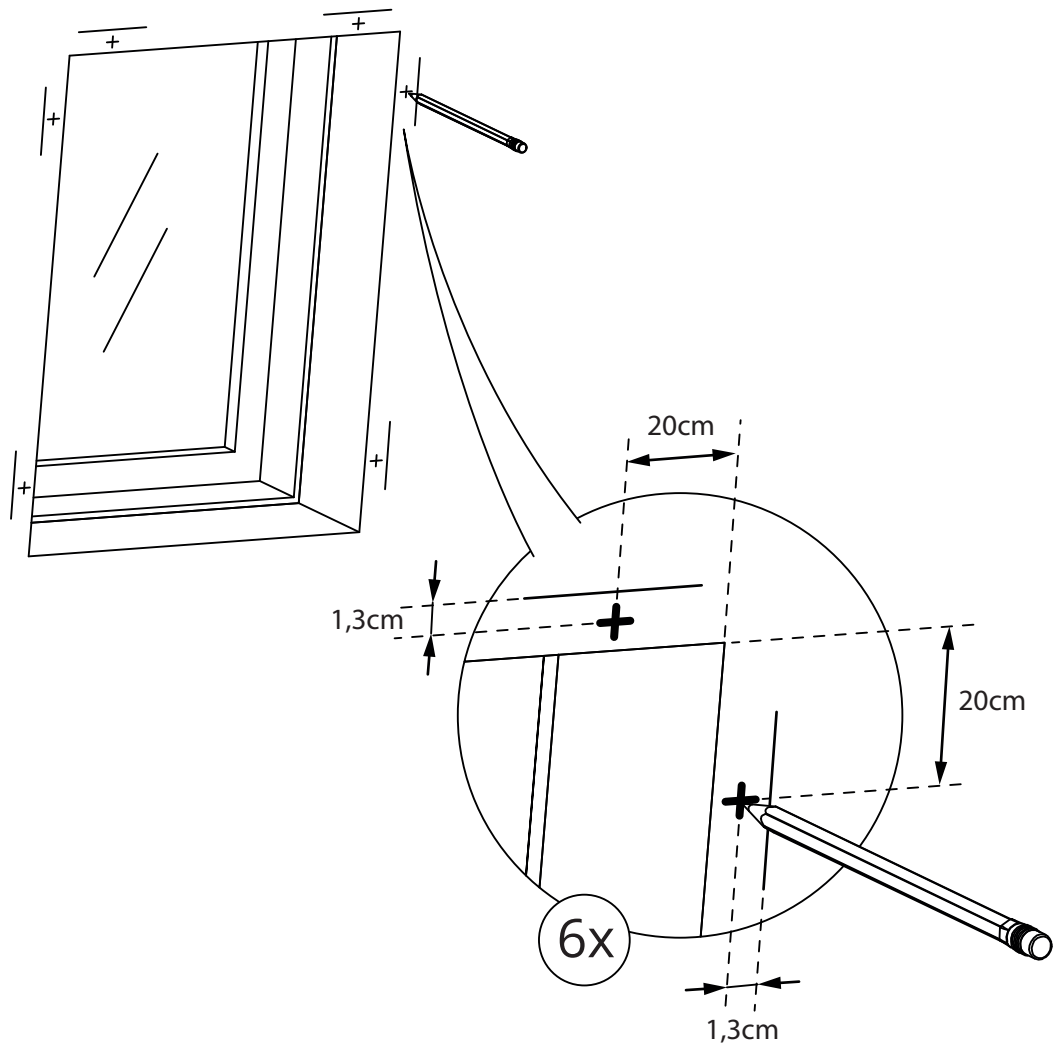
24

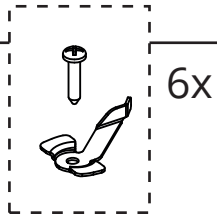


20-b

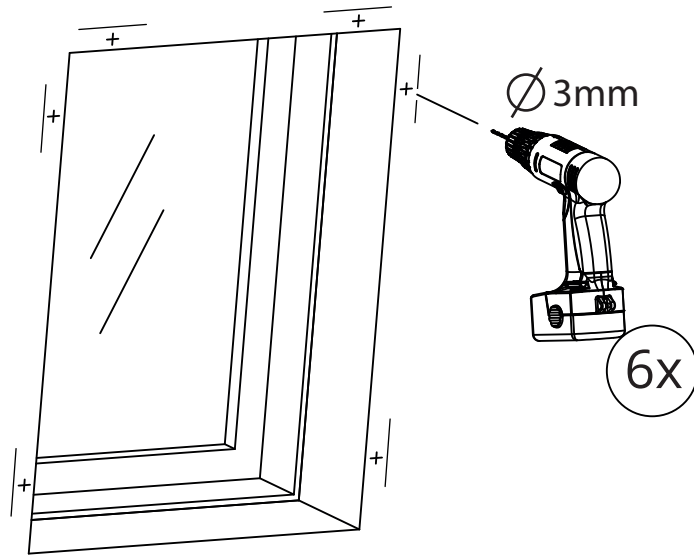


21-b

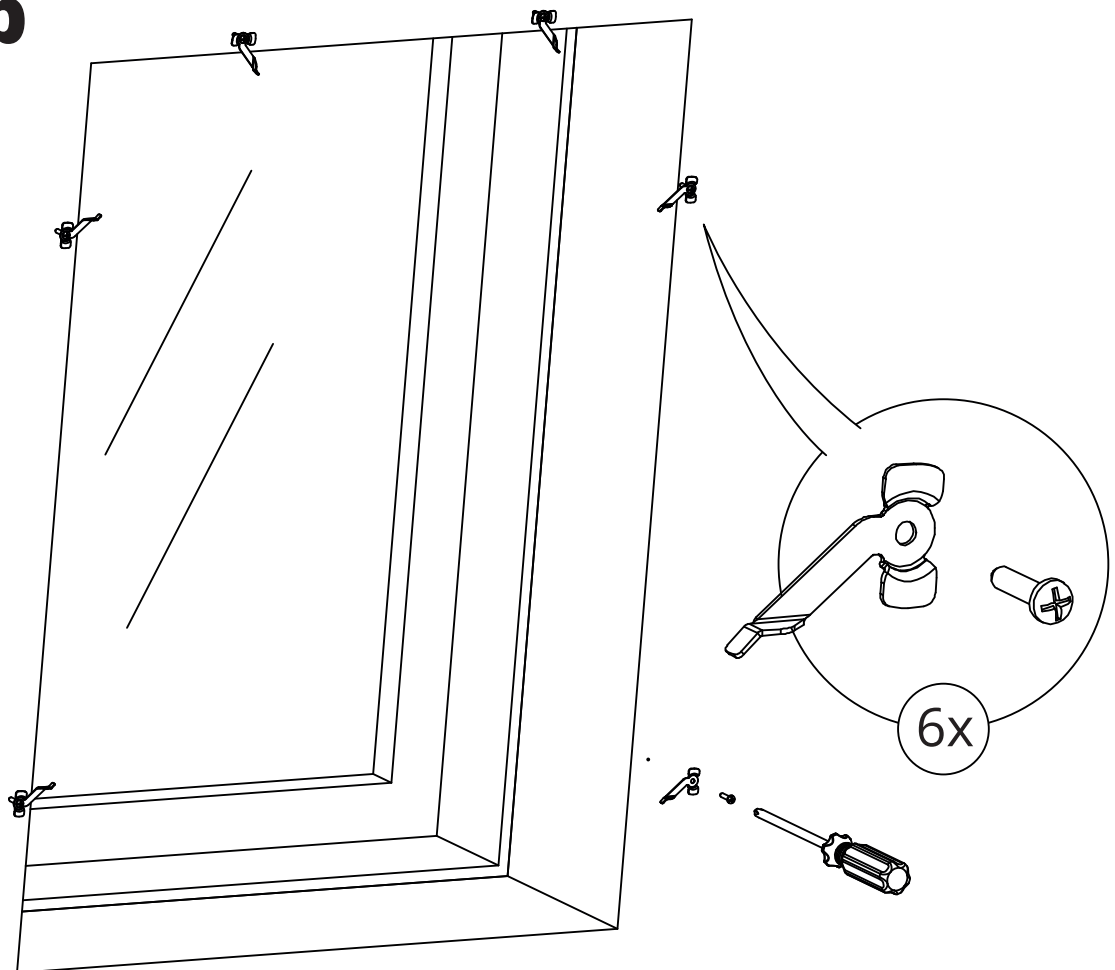


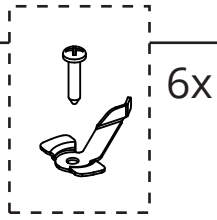


22-b

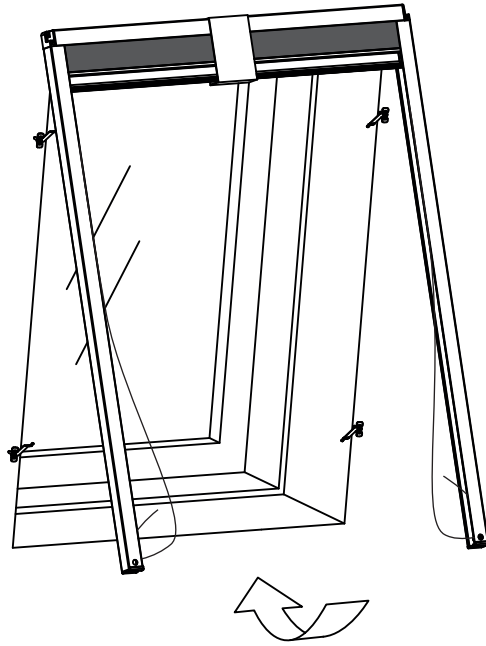


23-b

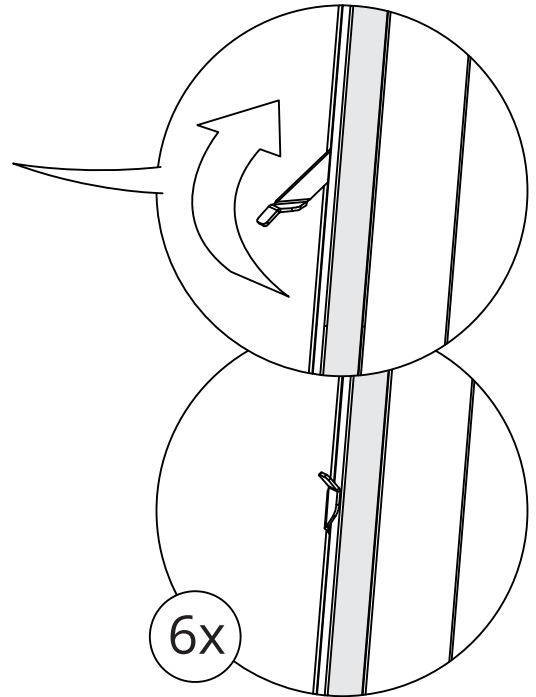
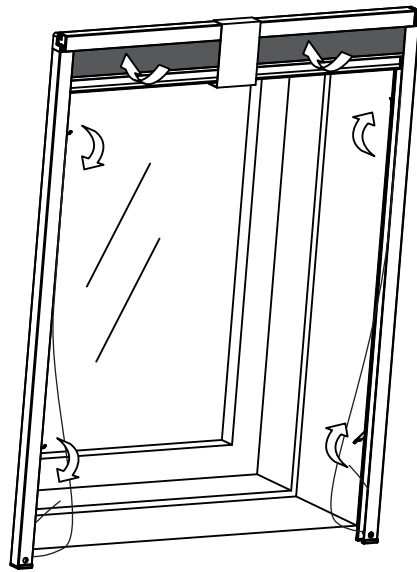




24-b



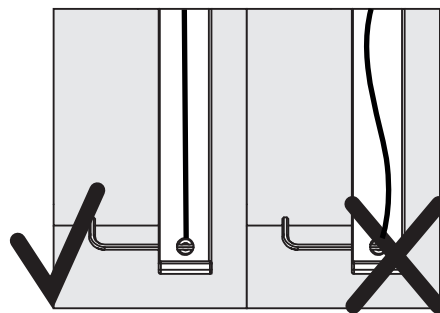
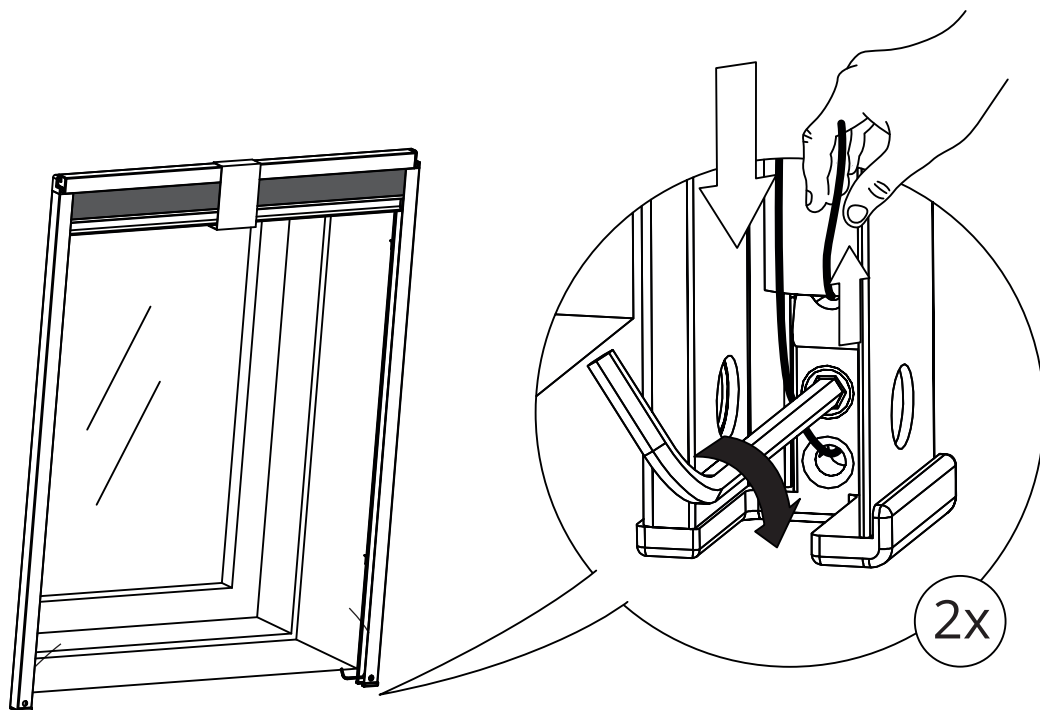
25-b



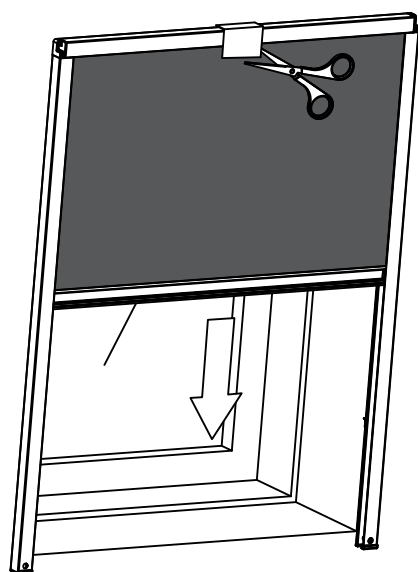
28

24

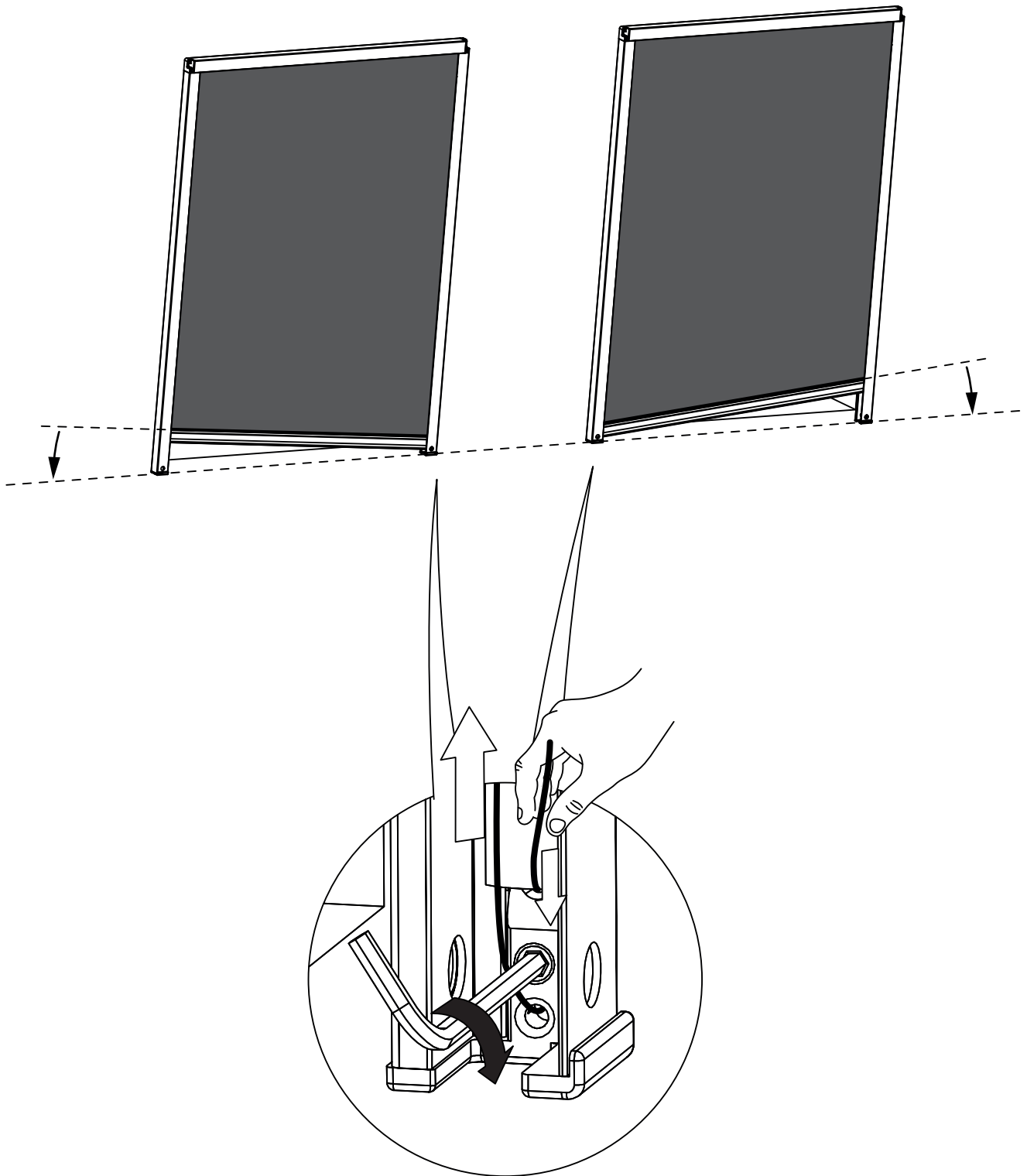
28



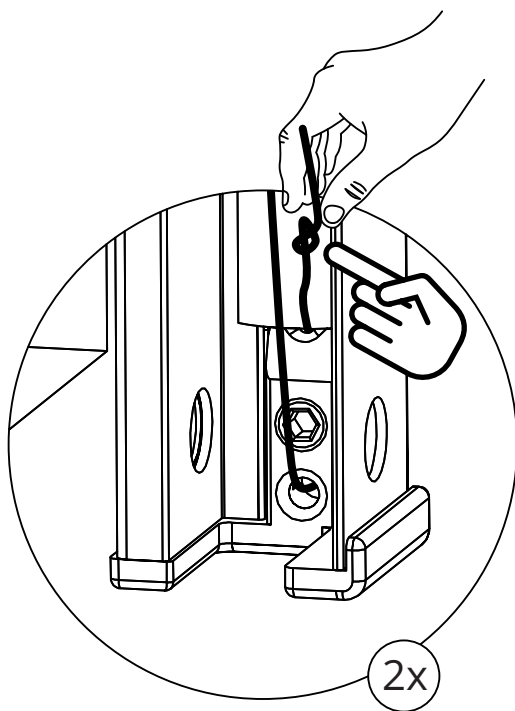
29



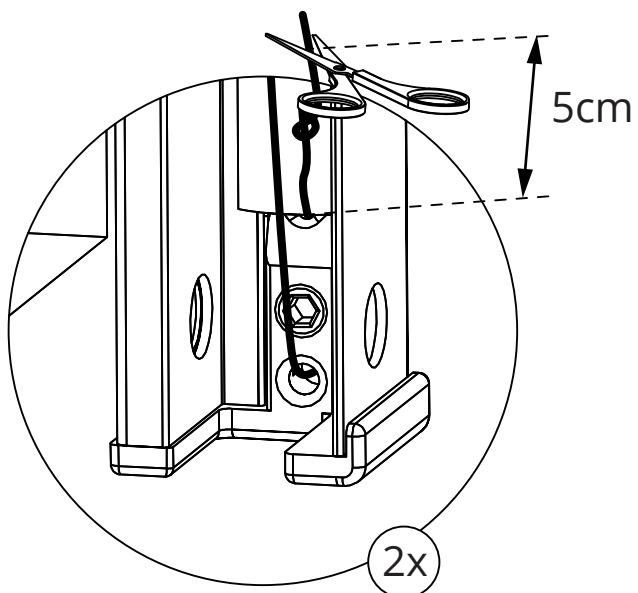
30



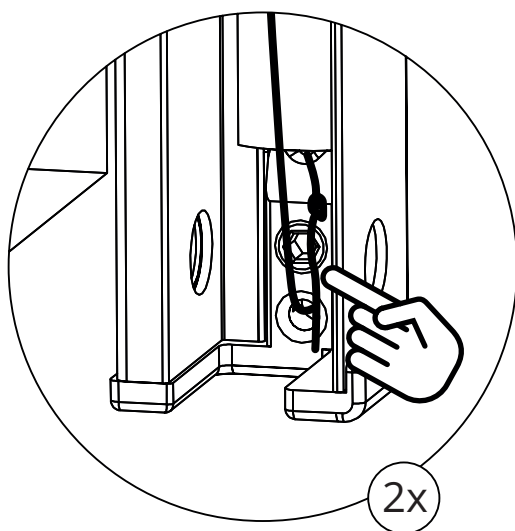
31



32



33



34

