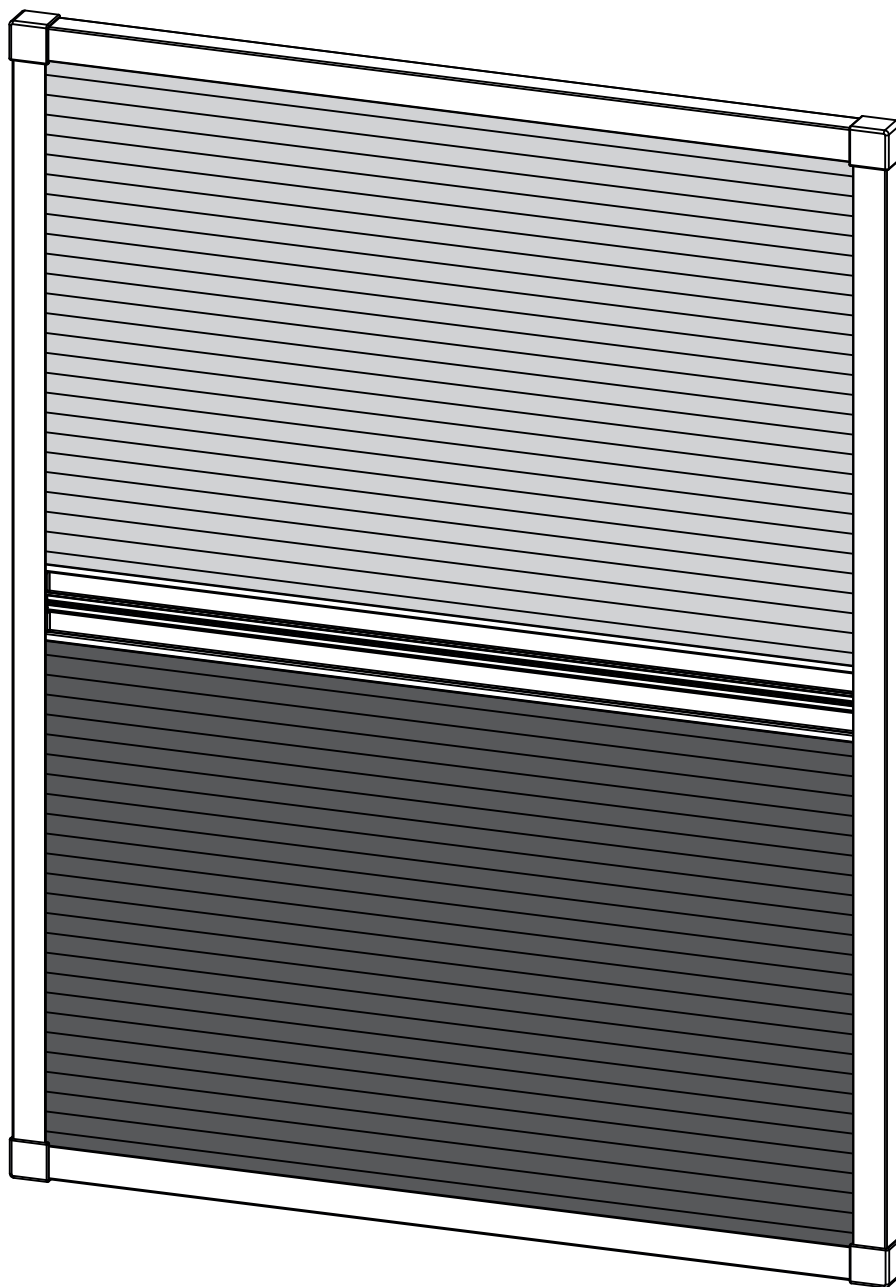
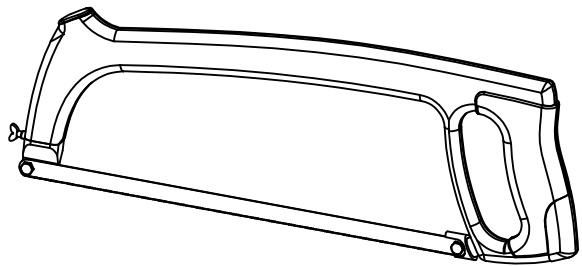
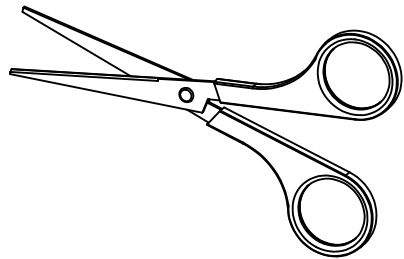
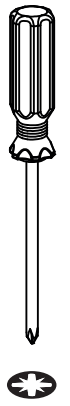
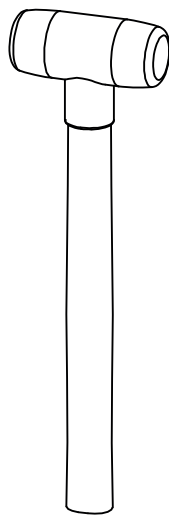
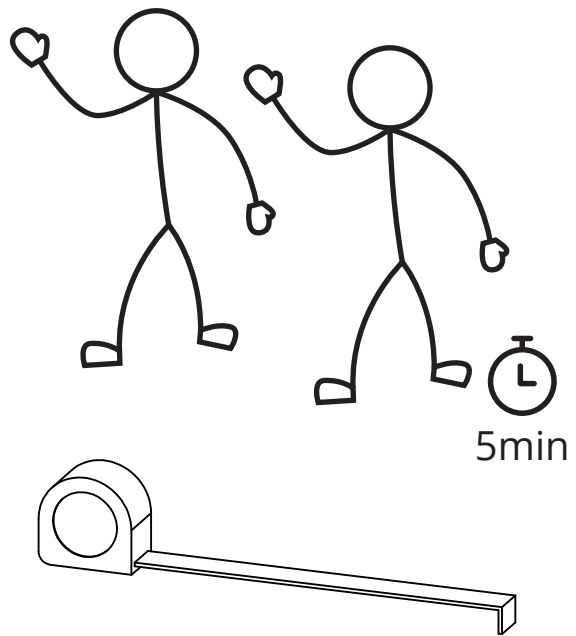
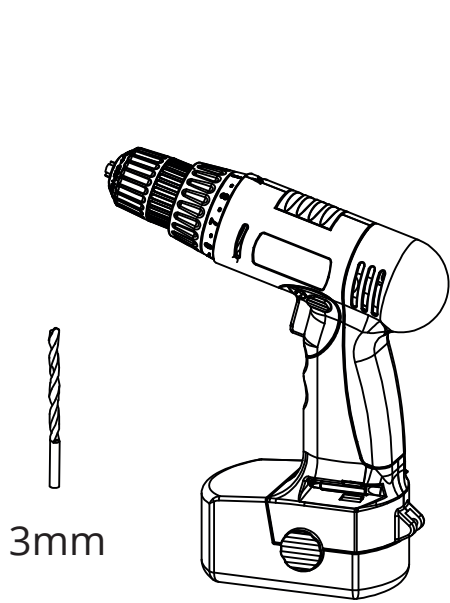
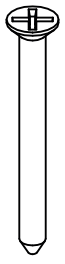


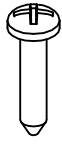
DUO PLISSEE



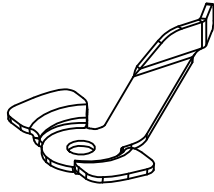




4x



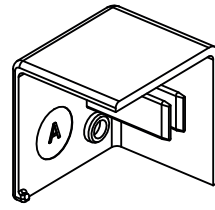
8x



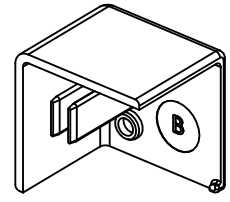
8x



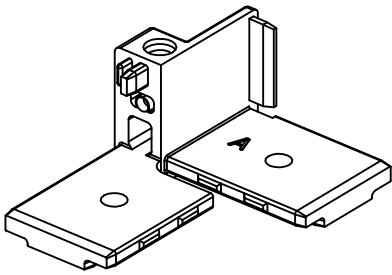
1x



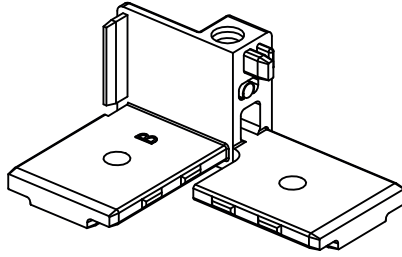
2x



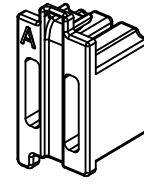
2x



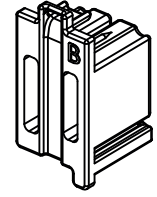
2x **A**



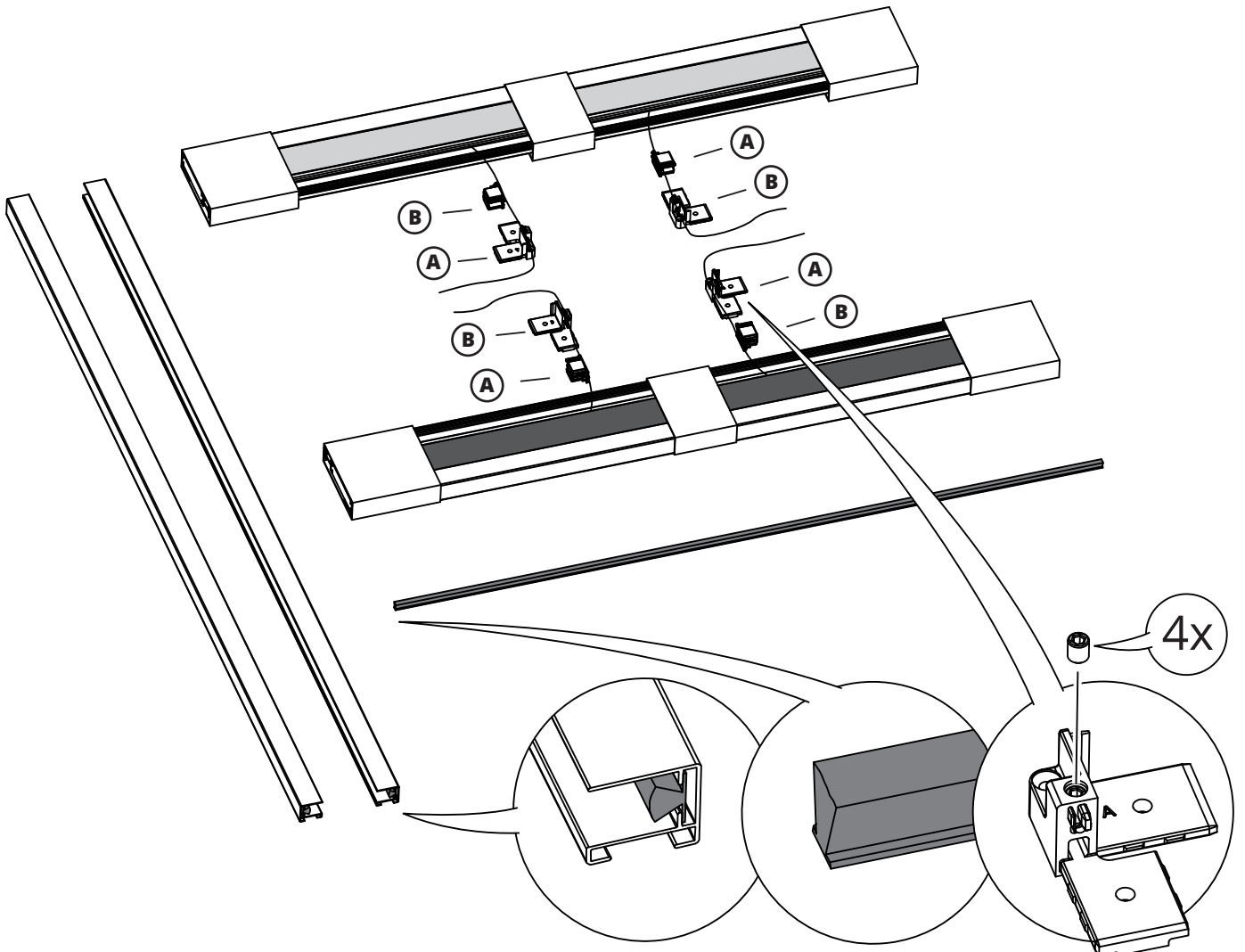
2x **B**



2x **A**

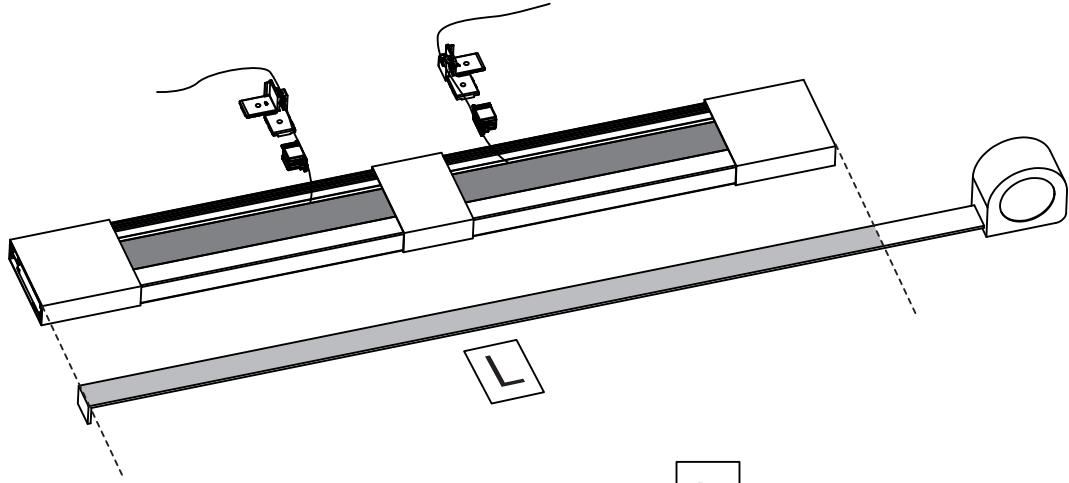


2x **B**



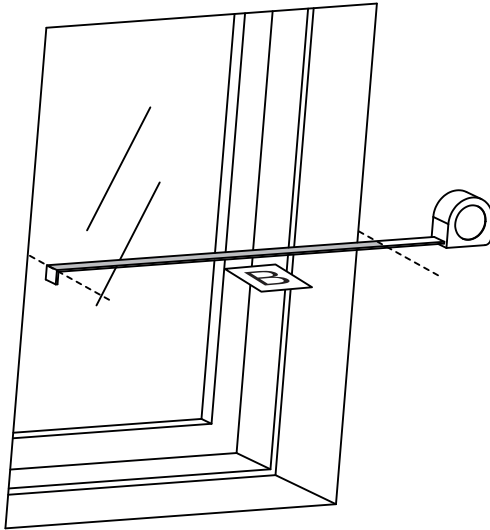
4x

1



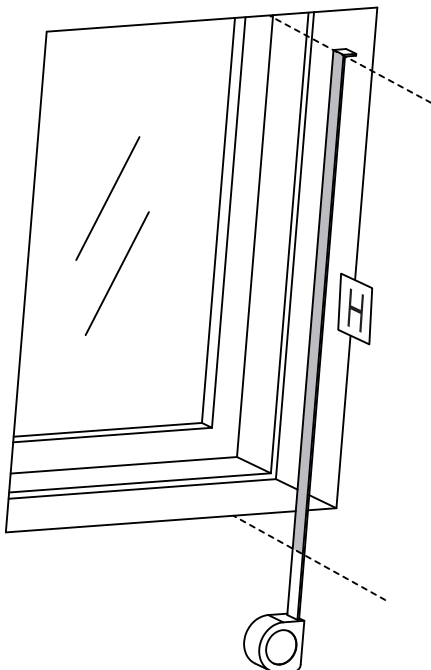
L = _____ , ____ cm

2



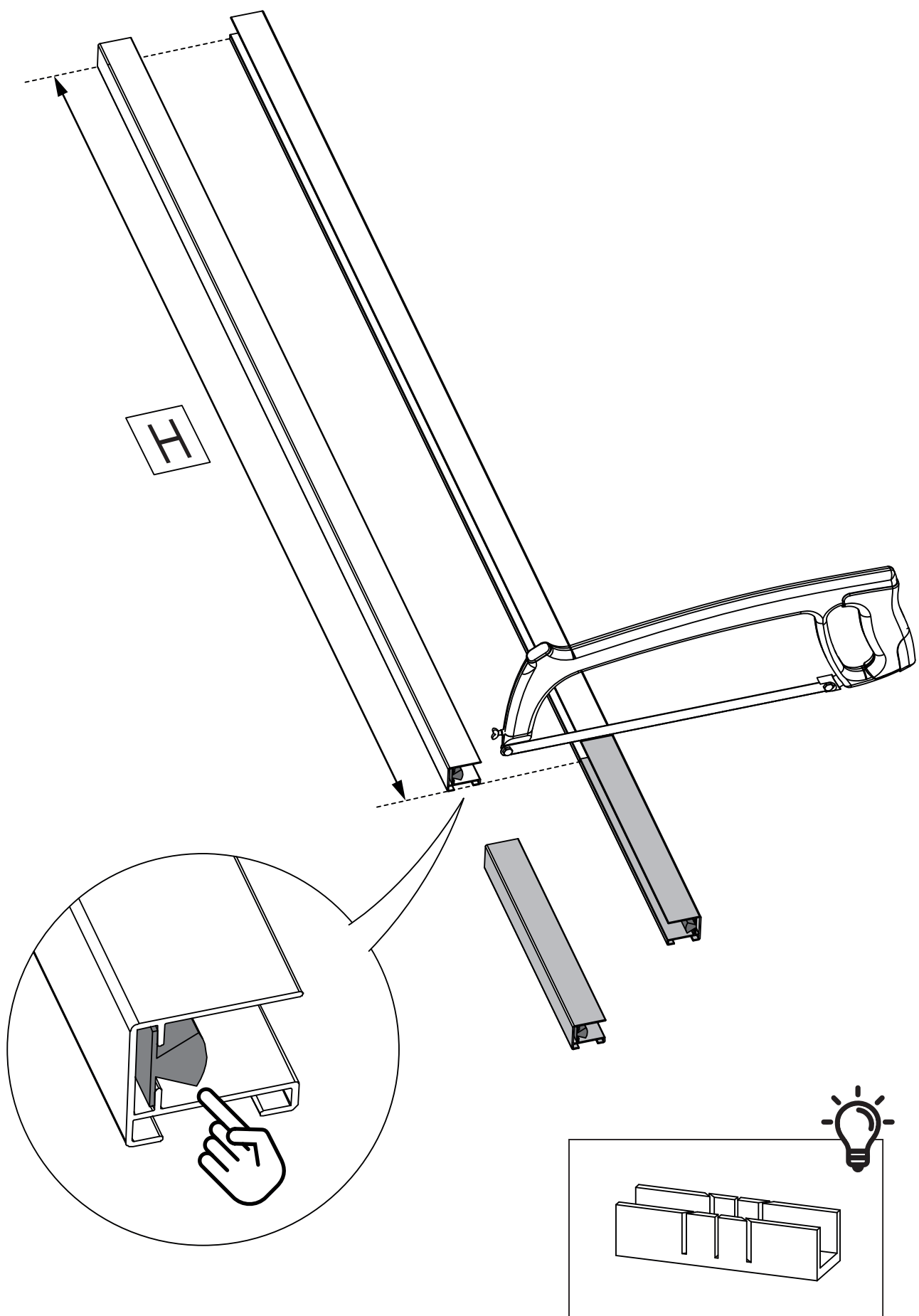
B = _____ , ____ cm

3



H = _____ , ____ cm

4



5

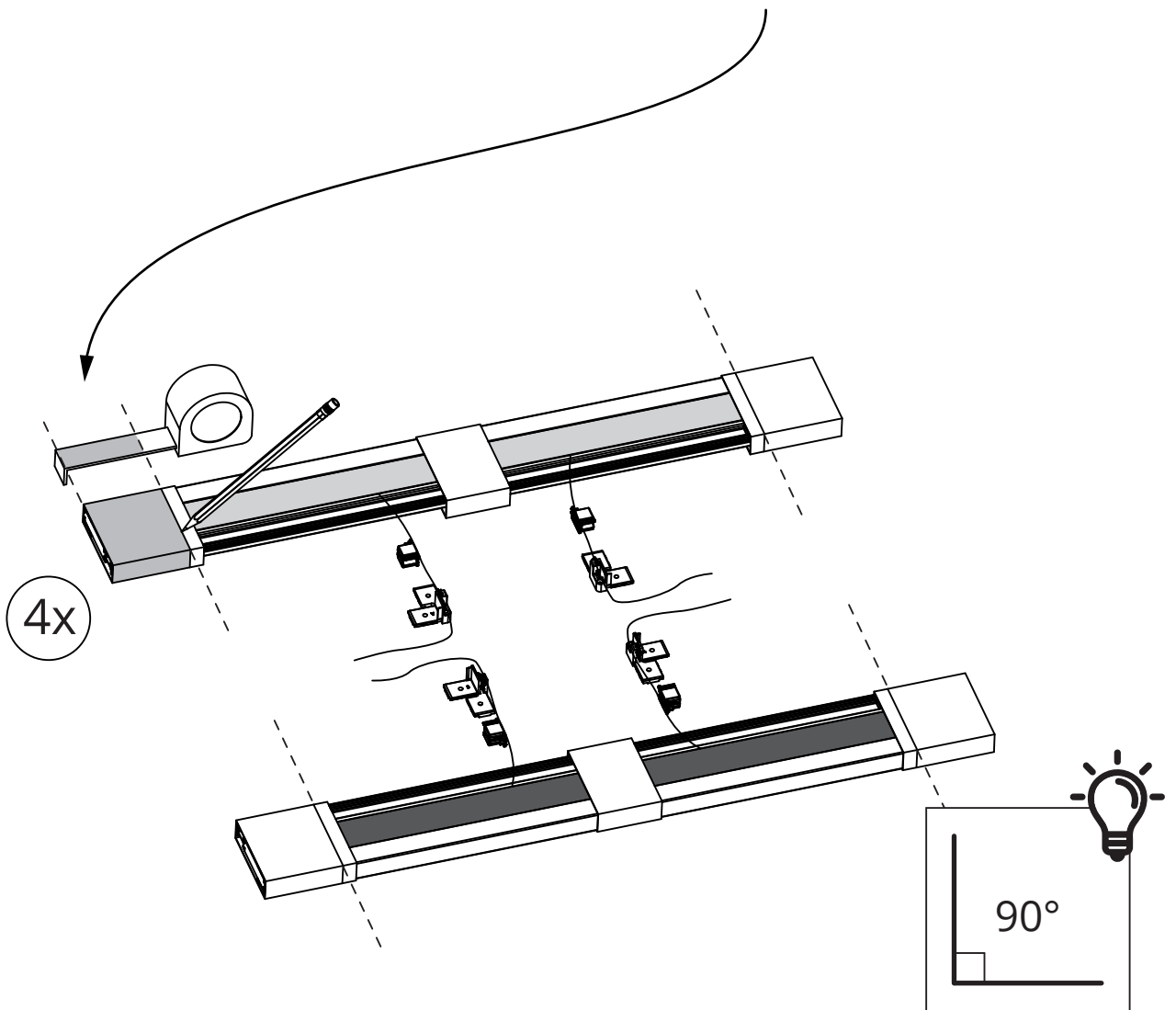
5

a) $L - B = \underline{\quad}, \underline{\quad} \text{ cm} - \underline{\quad}, \underline{\quad} \text{ cm} = \underline{\quad}, \underline{\quad} \text{ cm}$

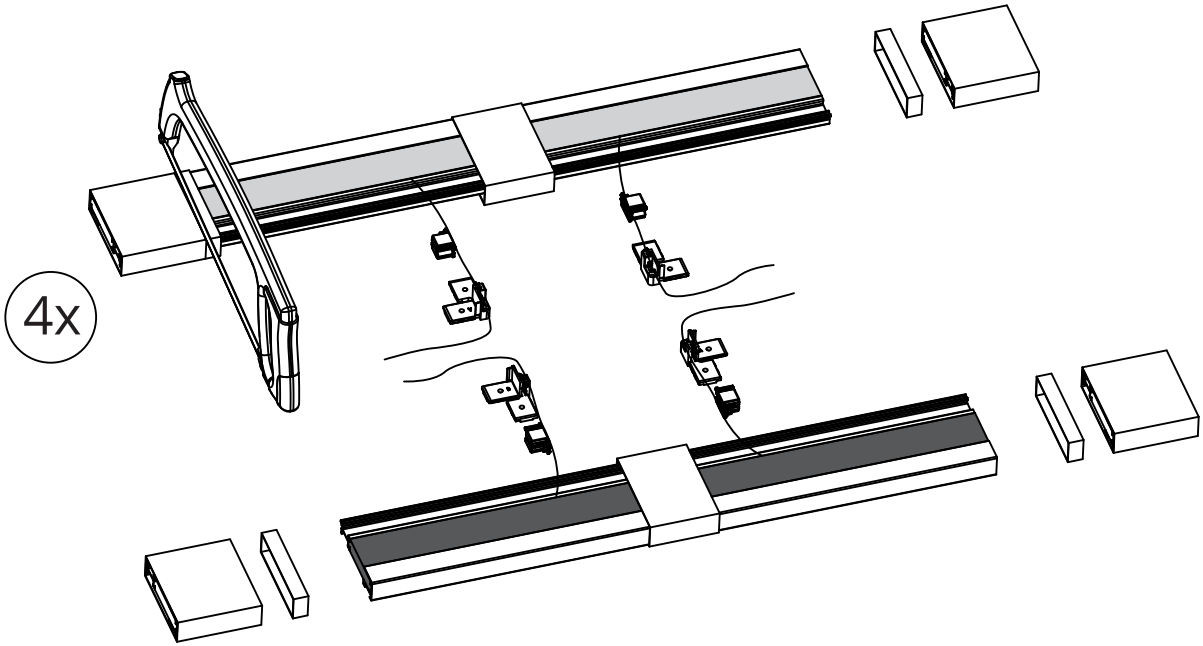
b) $\underline{\quad}, \underline{\quad} \text{ cm} - 3,0 \text{ cm} = \underline{\quad}, \underline{\quad} \text{ cm}$

c) $\frac{\underline{\quad}, \underline{\quad} \text{ cm}}{2} = \underline{\quad}, \underline{\quad} \text{ cm}$

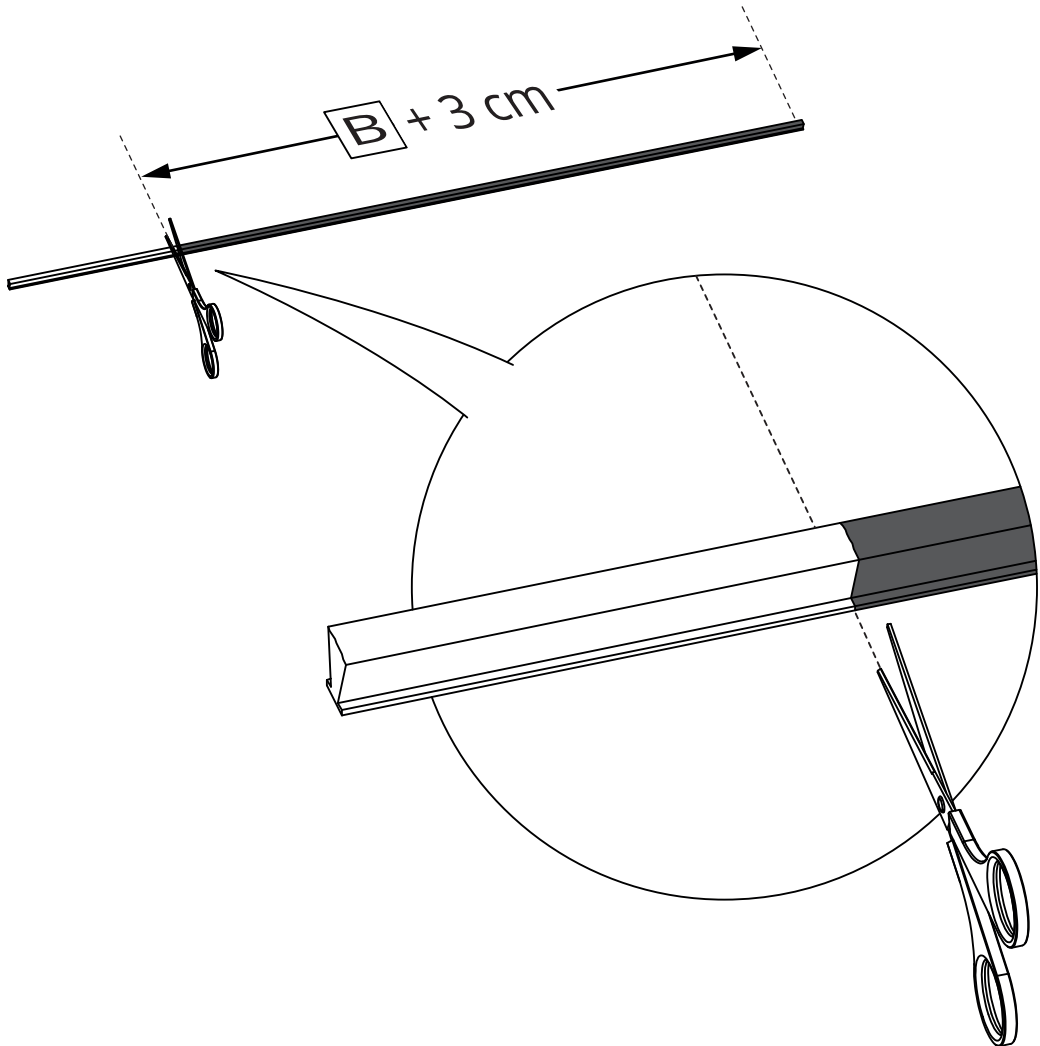
6



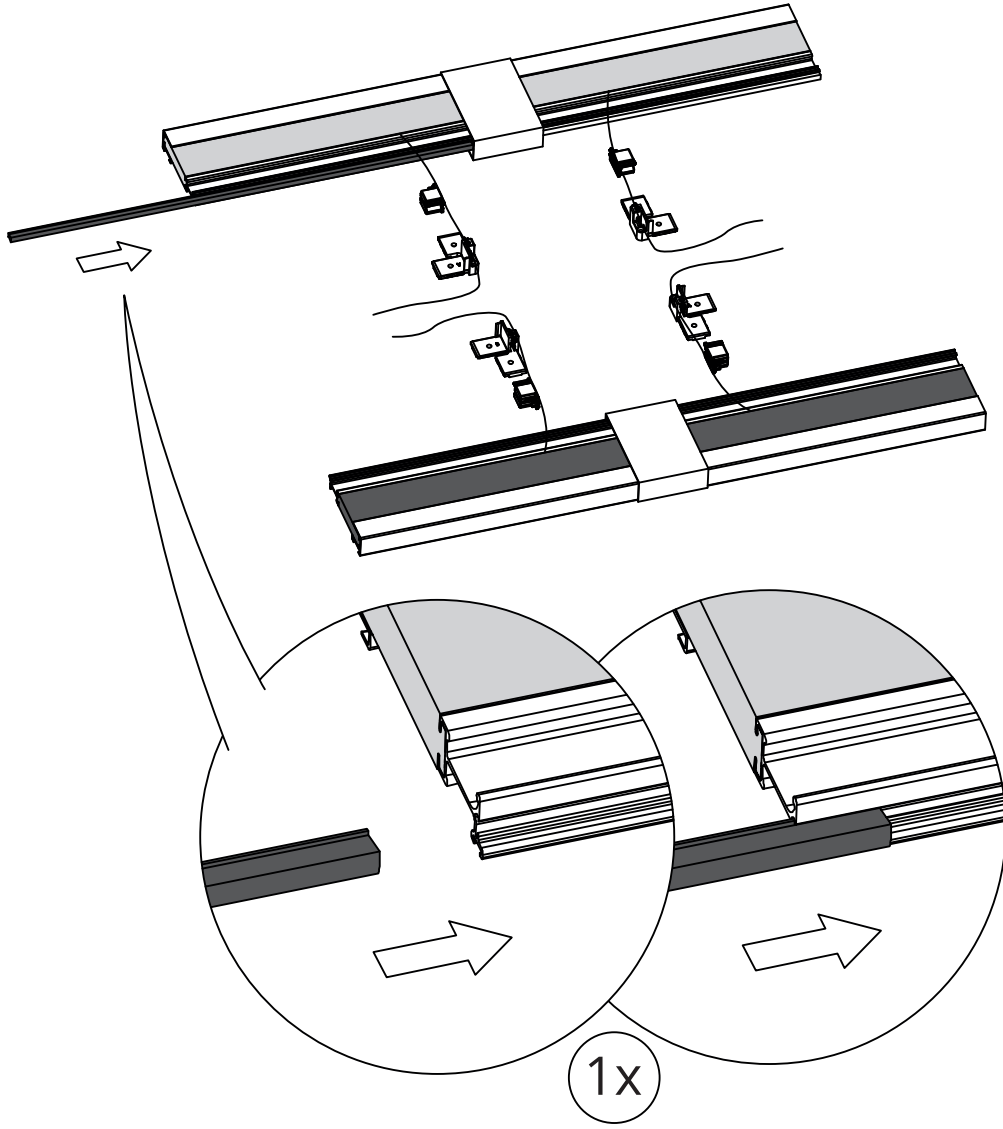
7



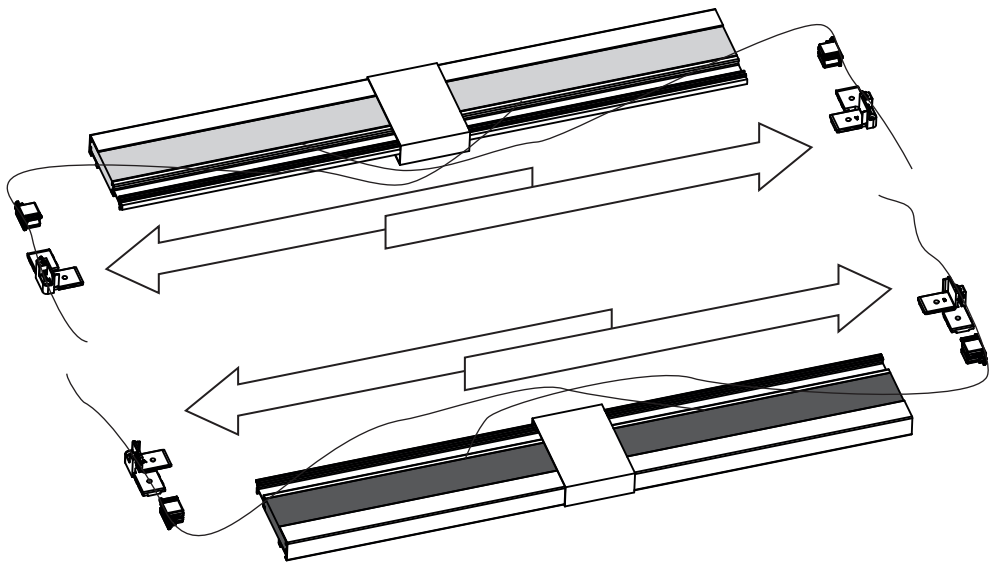
8



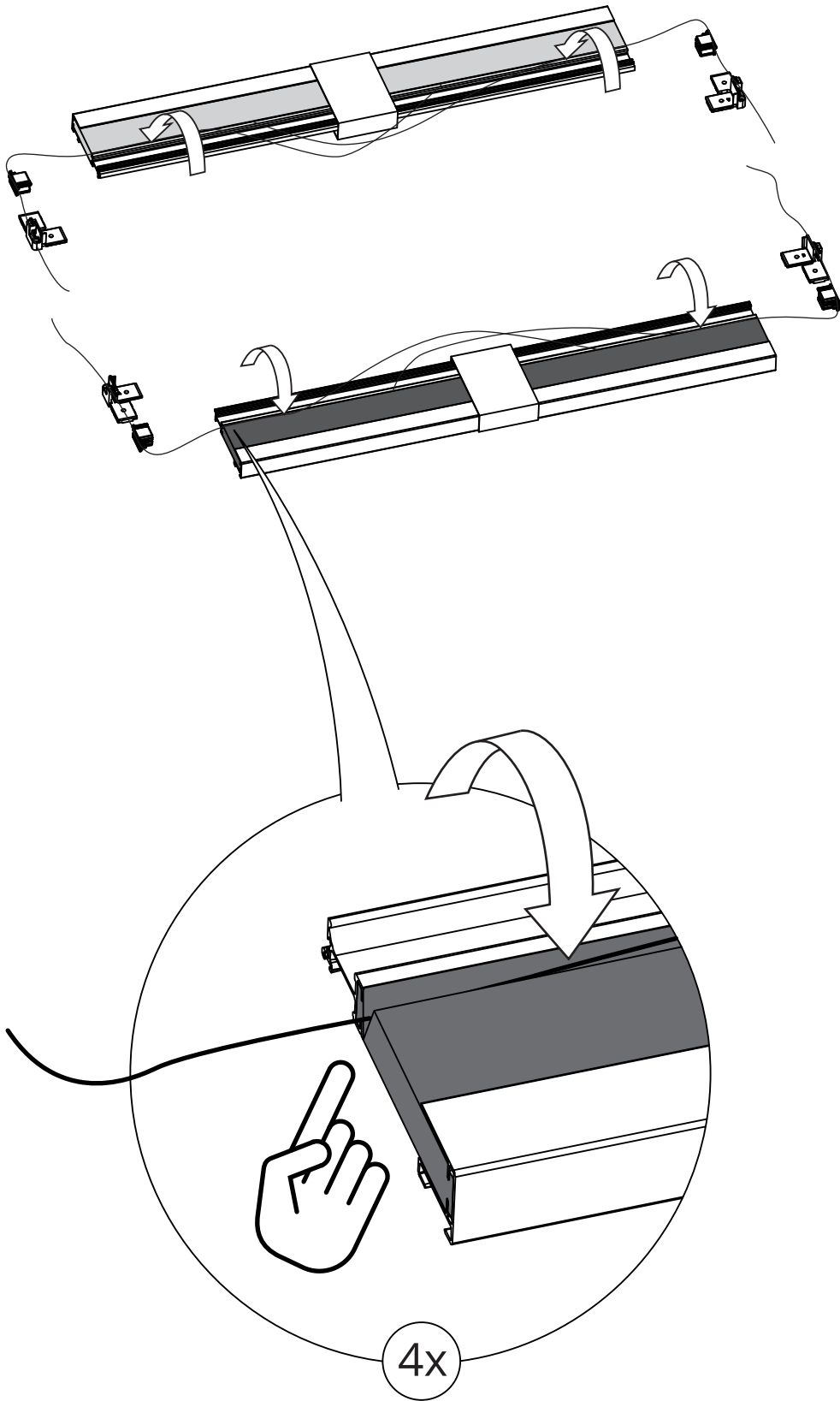
9



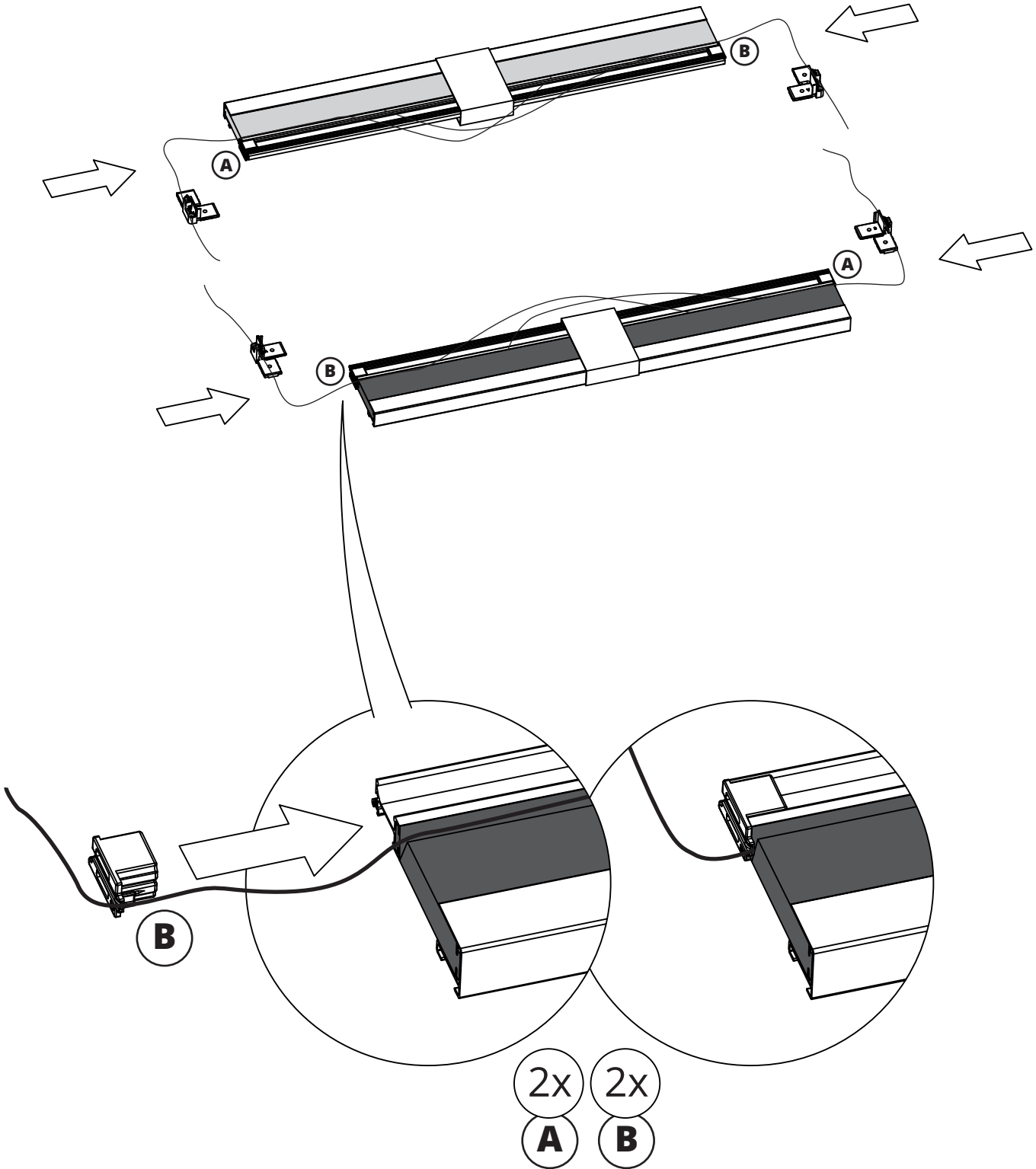
10



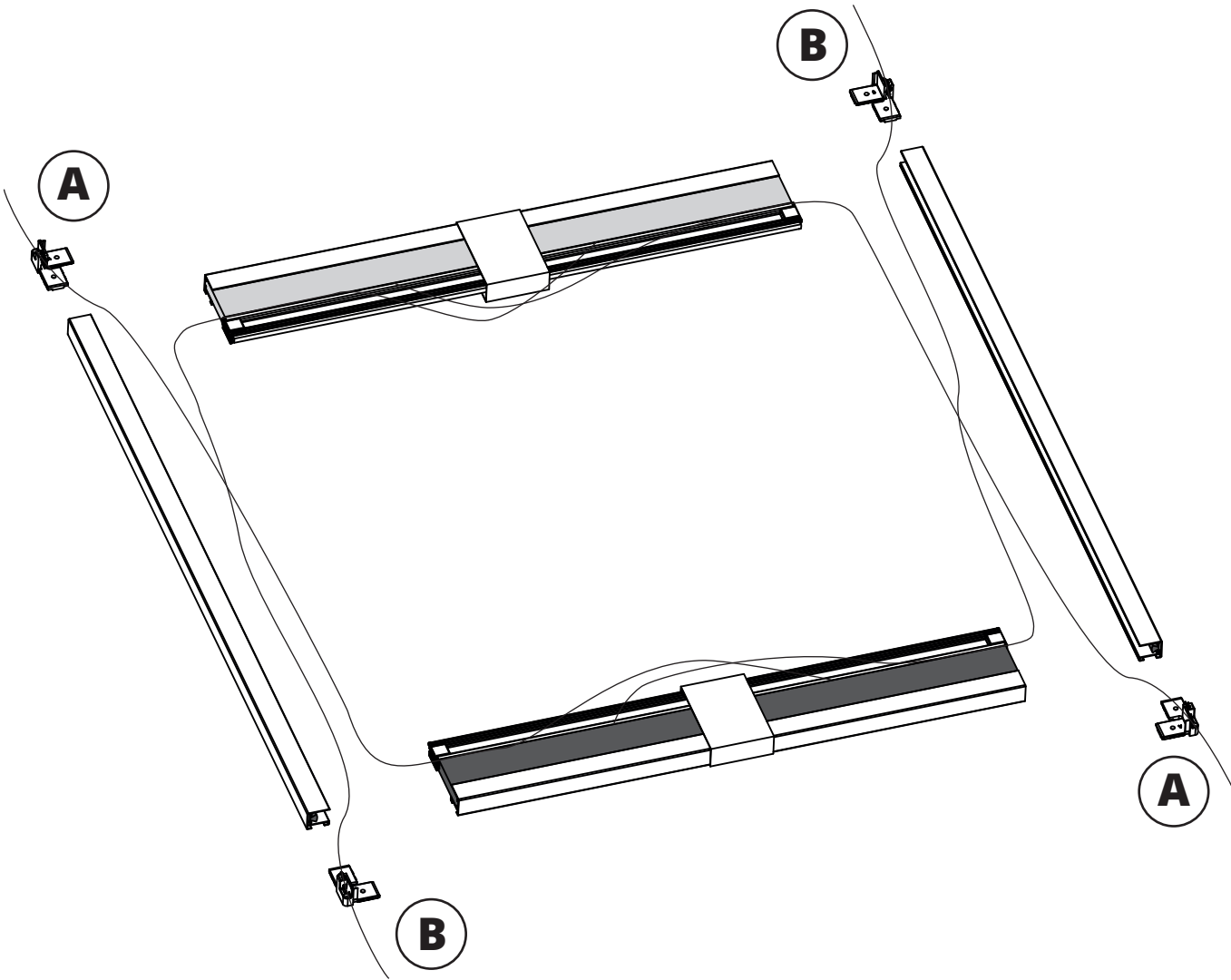
11



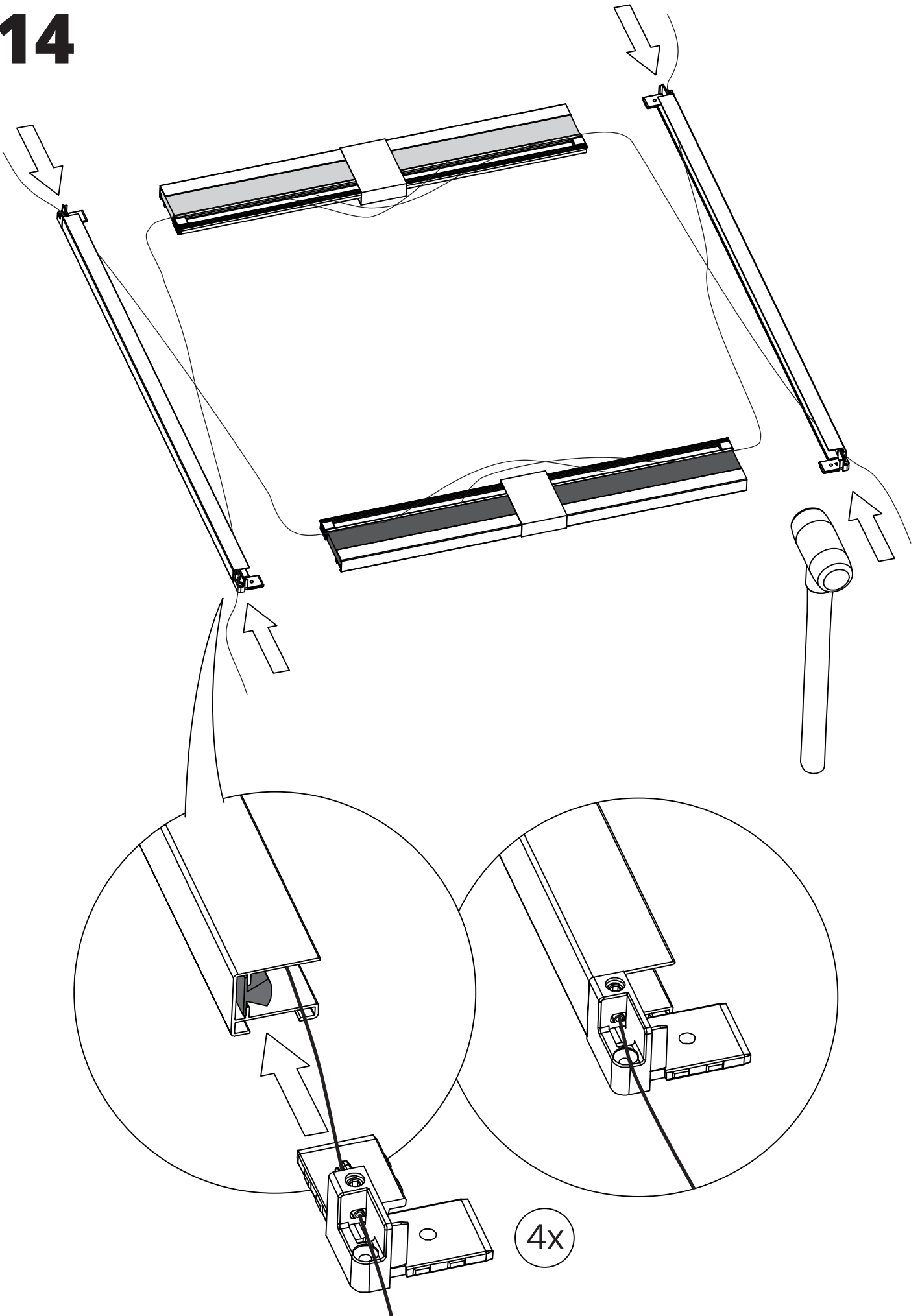
12



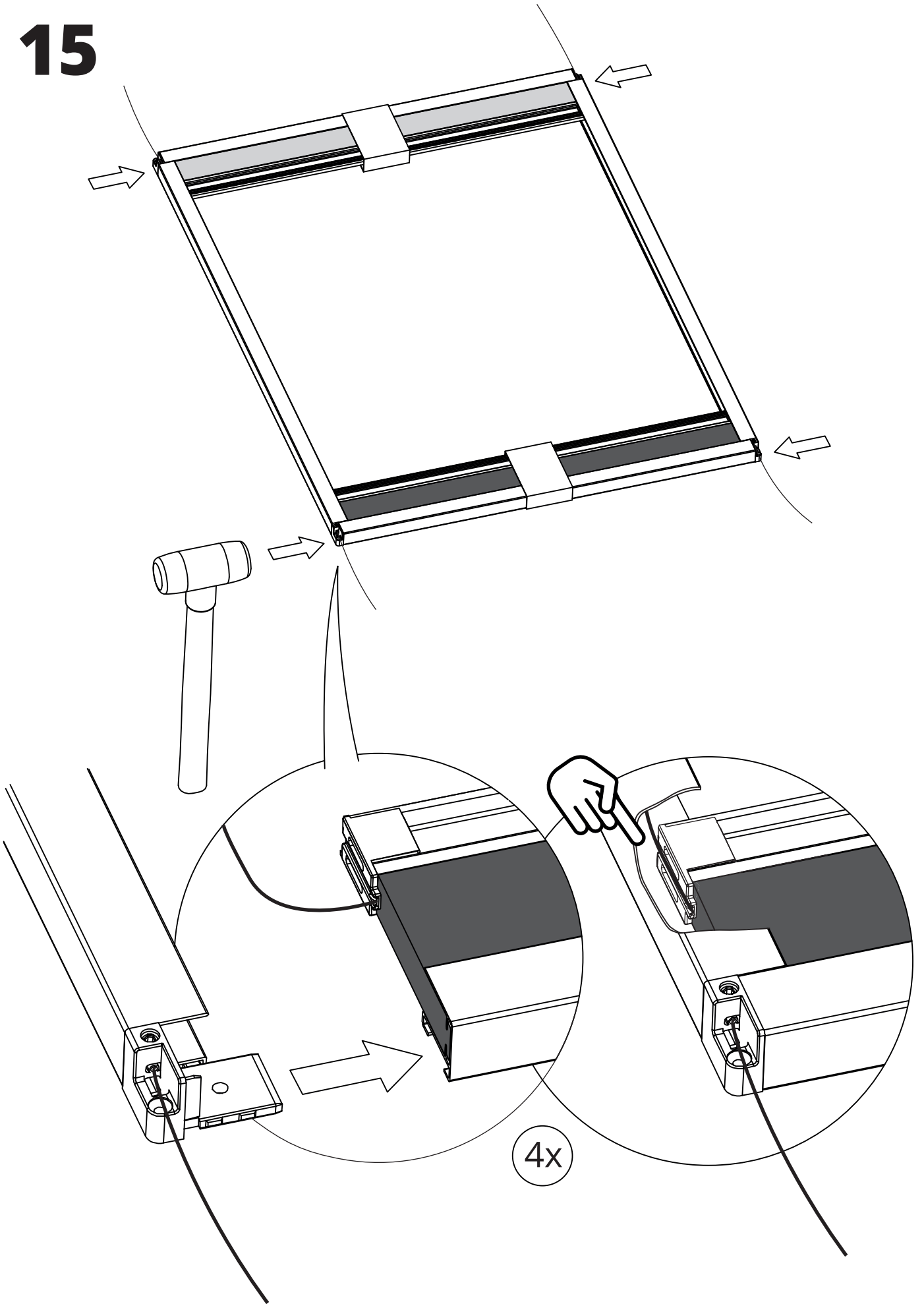
13



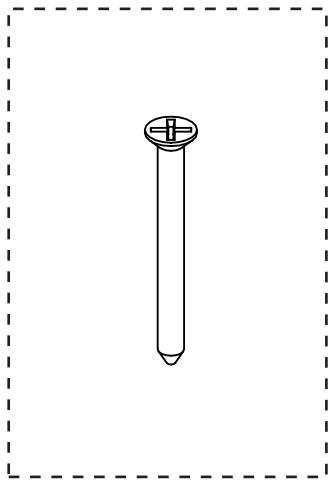
14



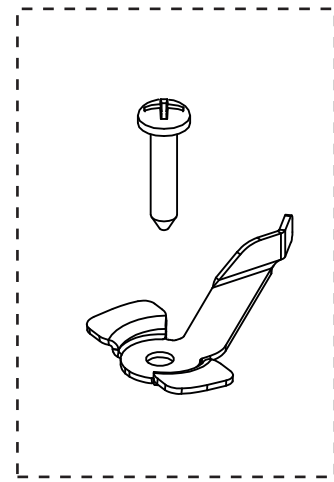
15



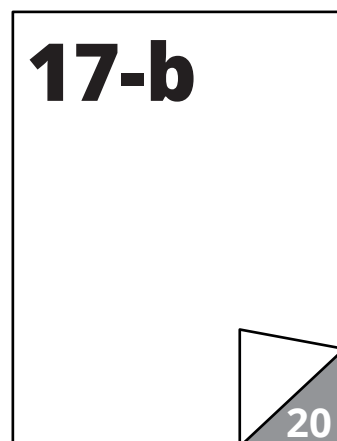
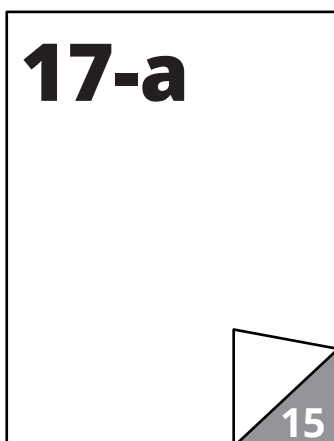
16



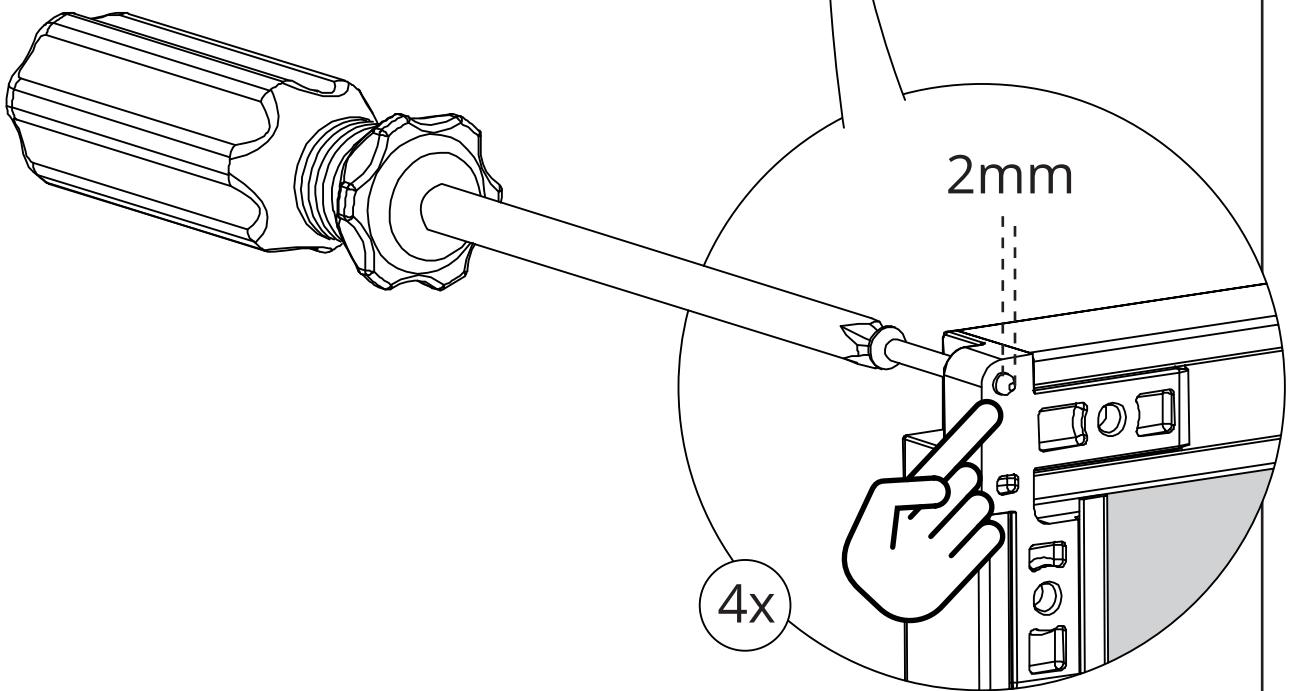
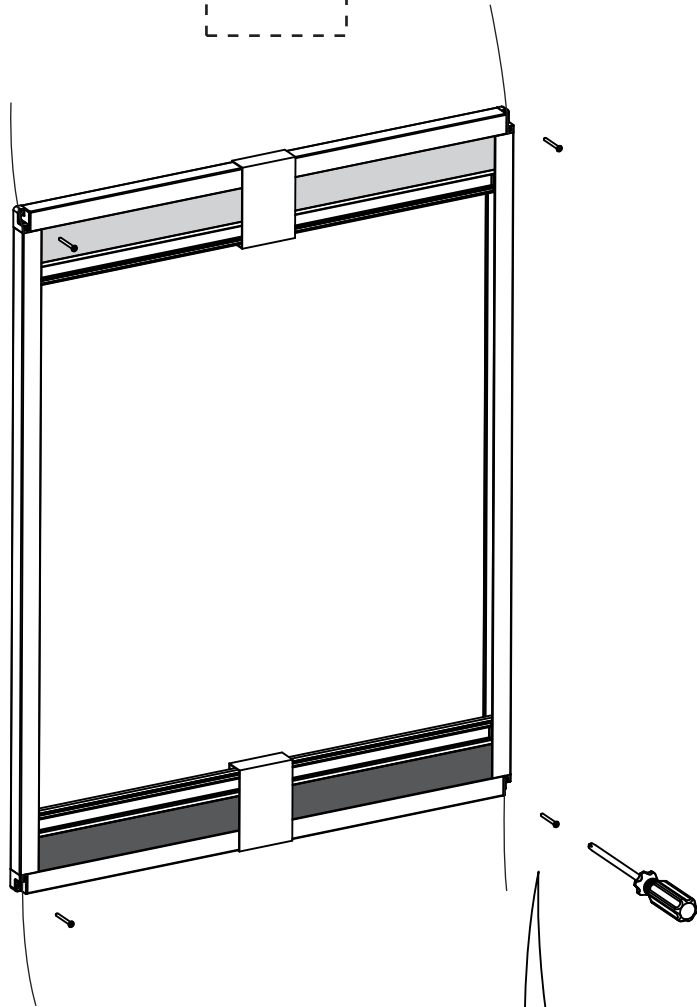
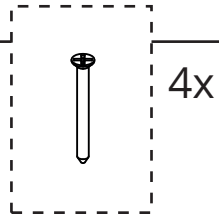
4x

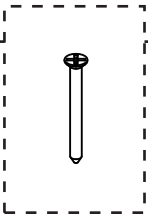


8x



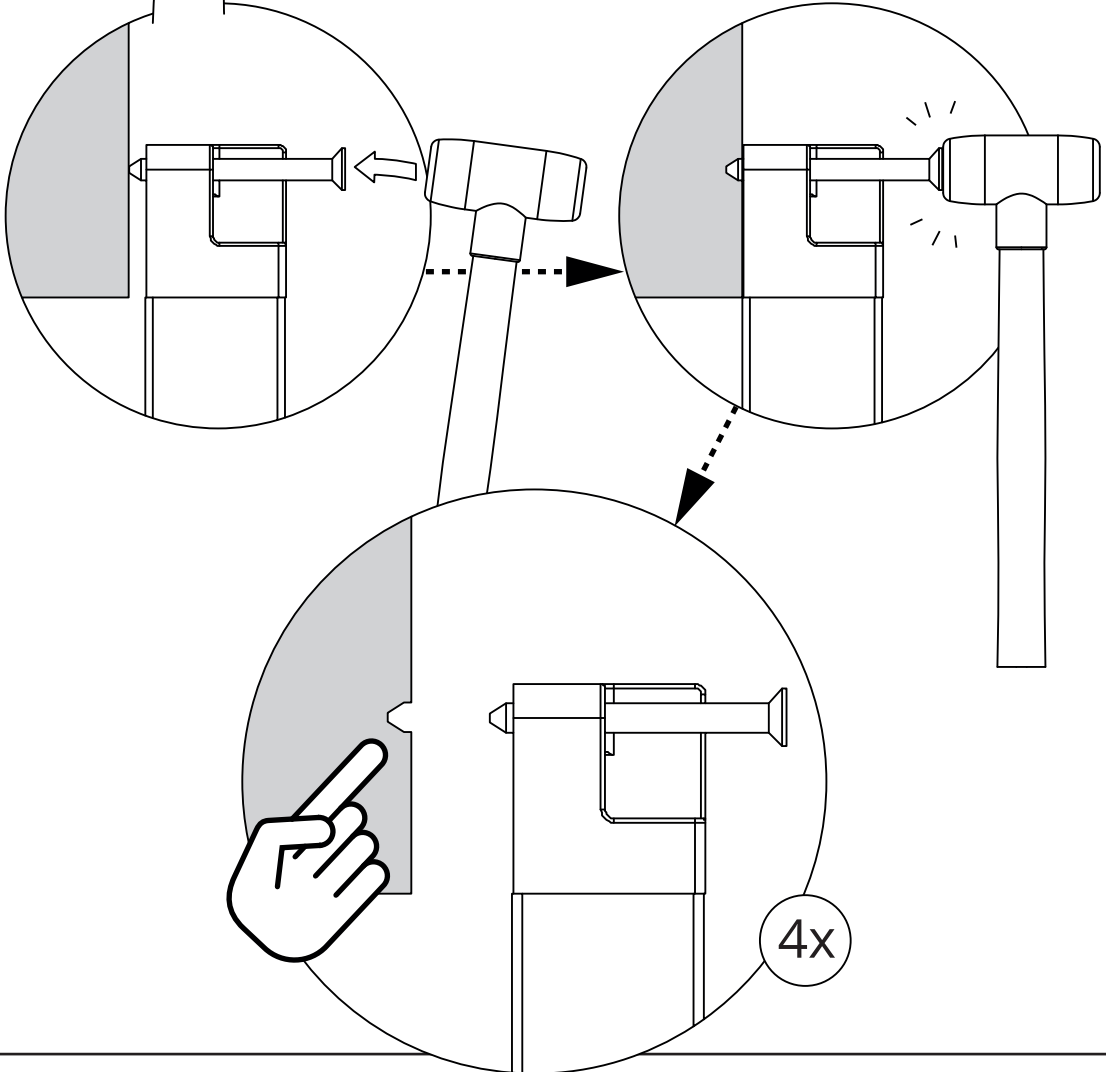
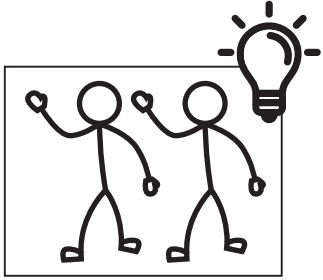
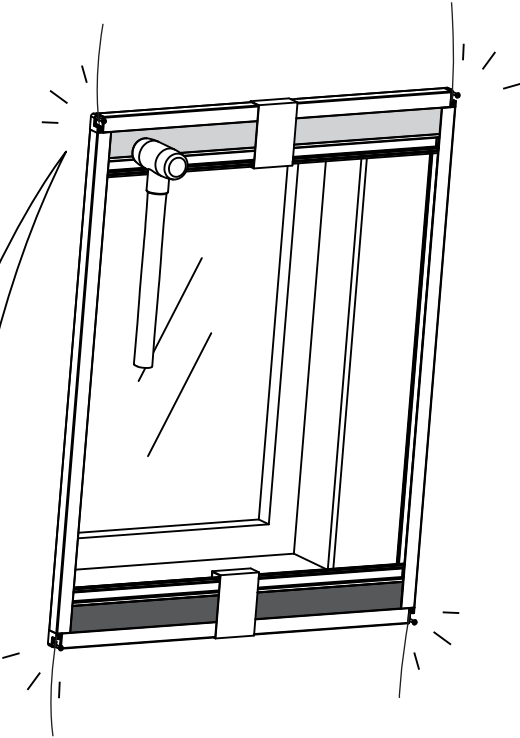
17-a

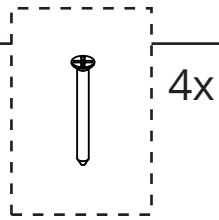




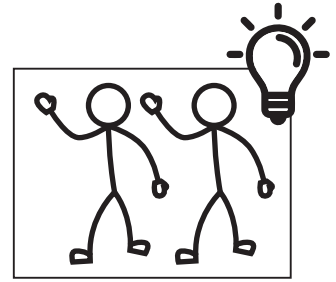
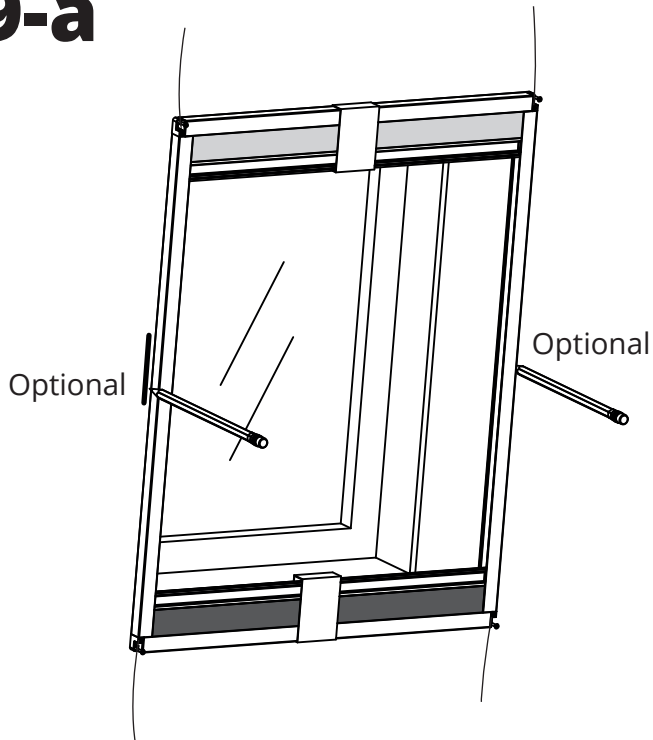
4x

18-a

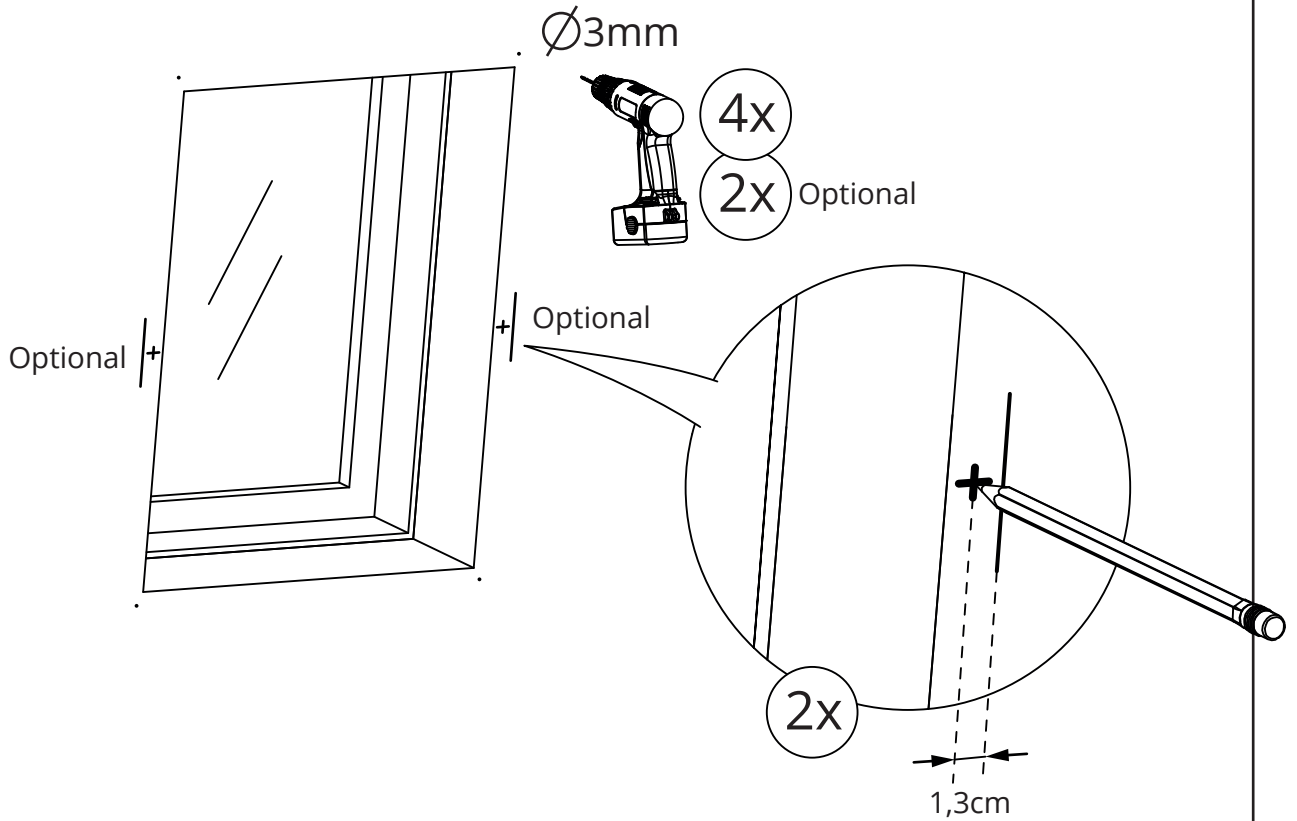


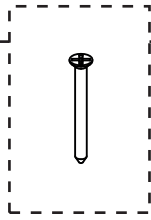


19-a



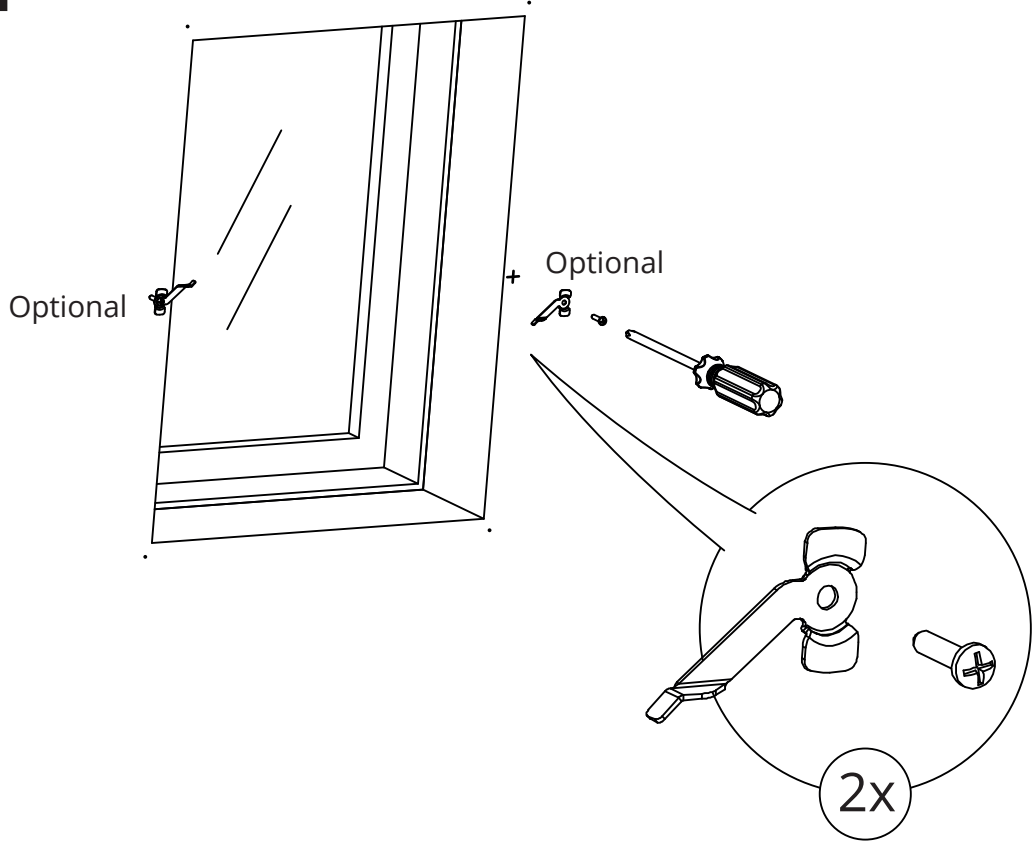
20-a



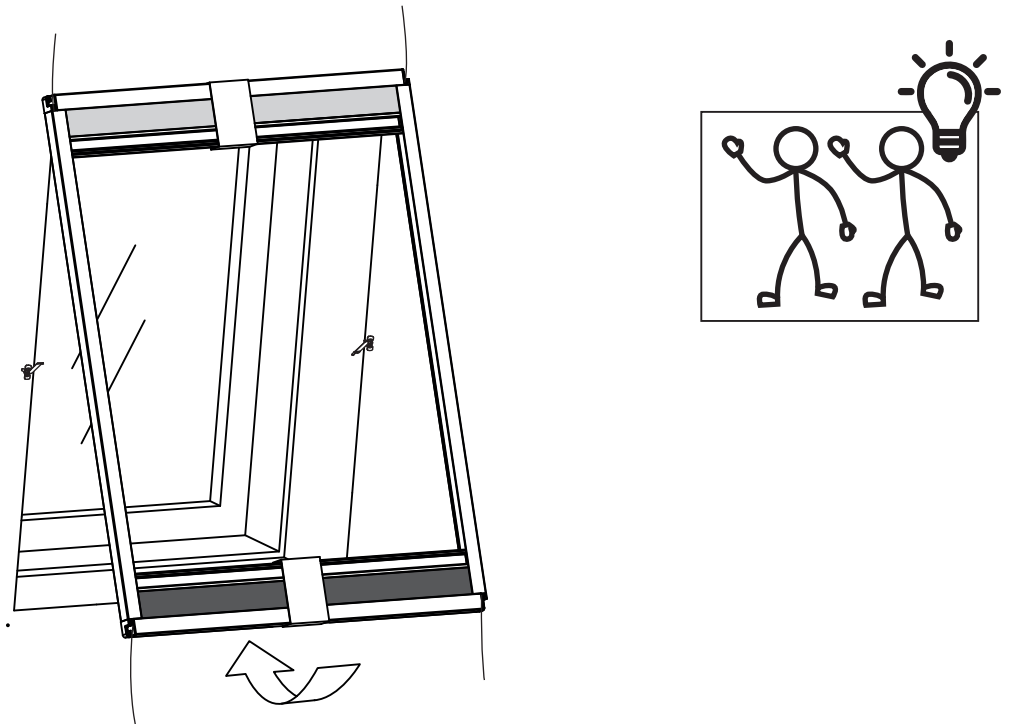


4x

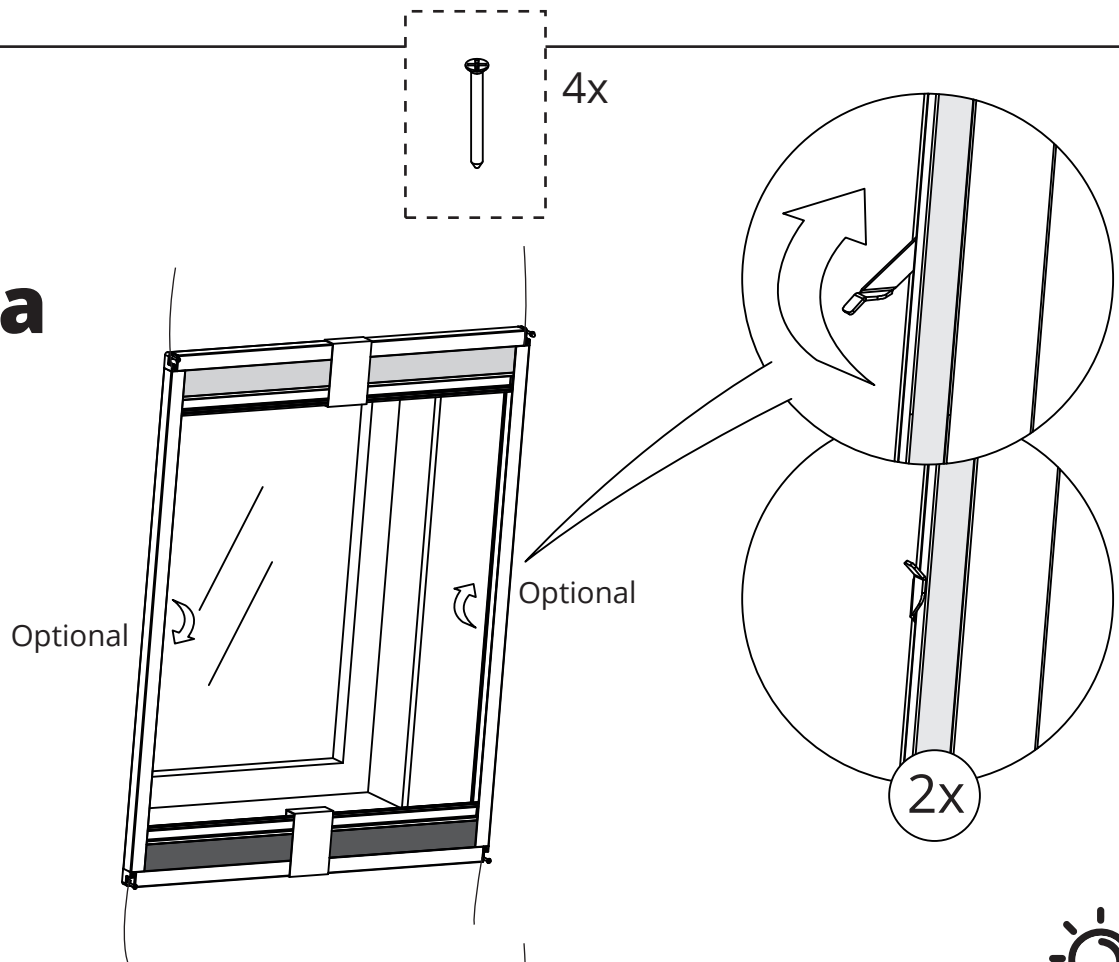
21-a



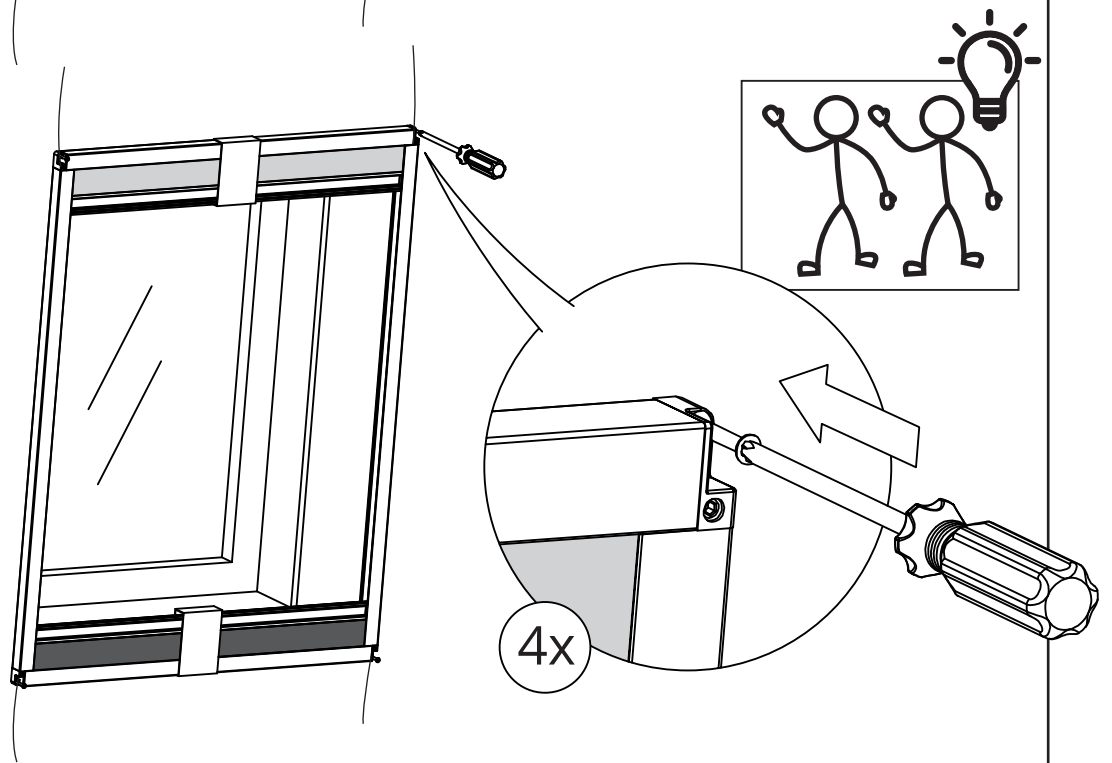
22-a



23-a

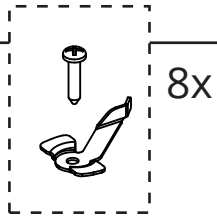


24-a

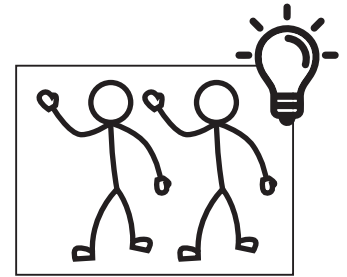
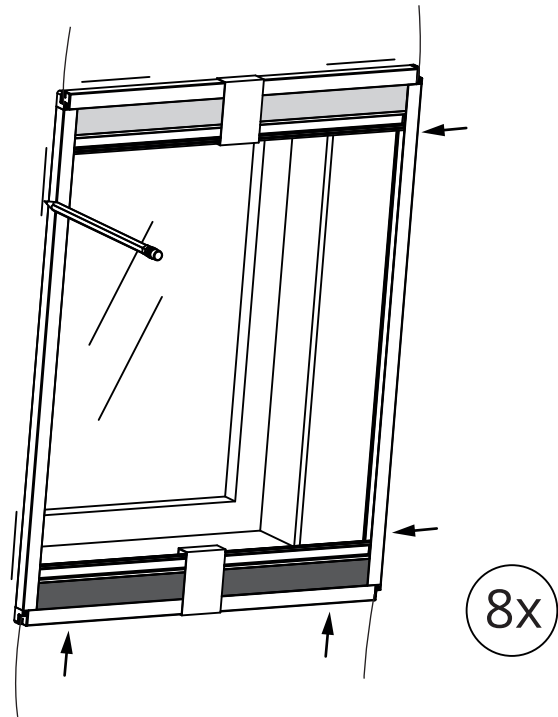


25

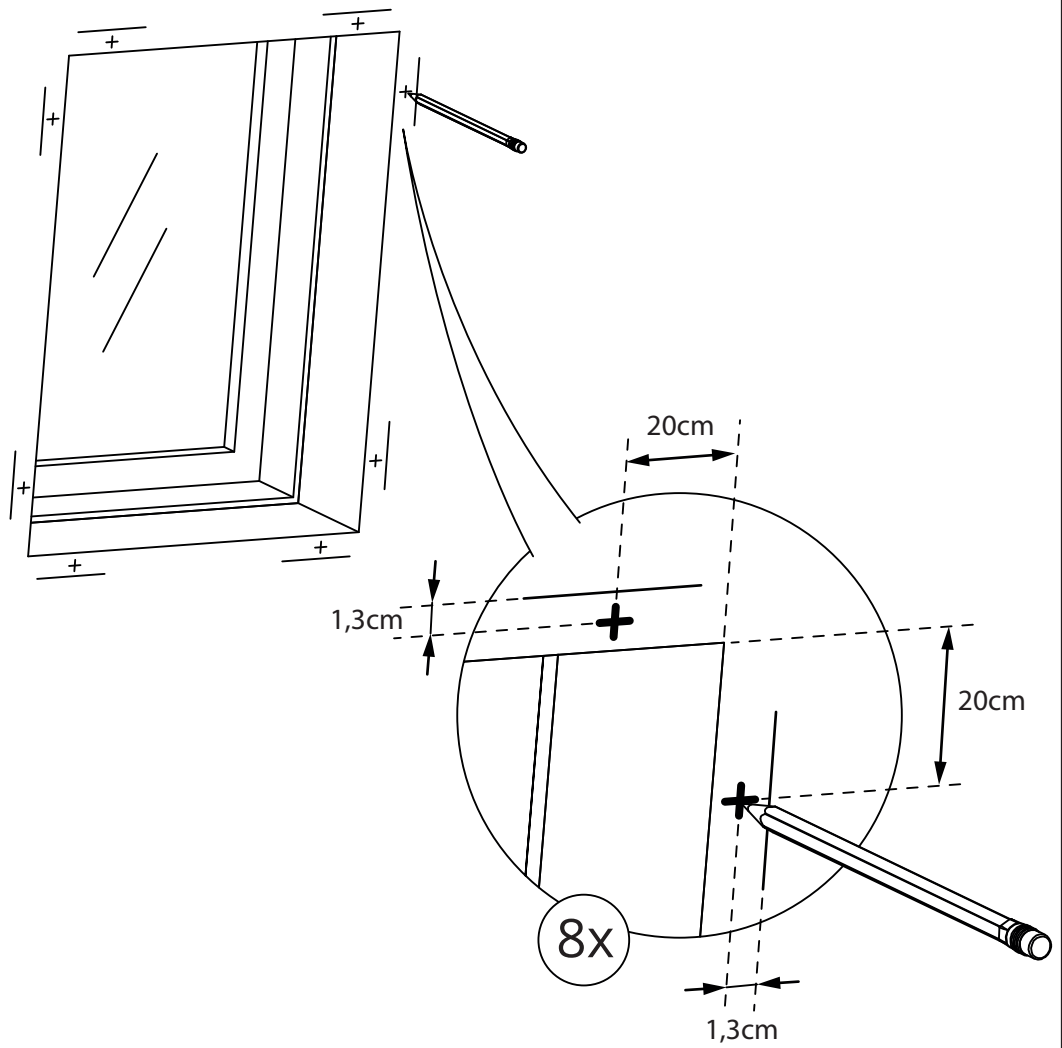


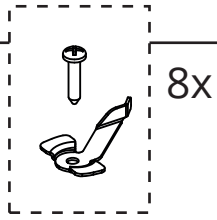


17-b

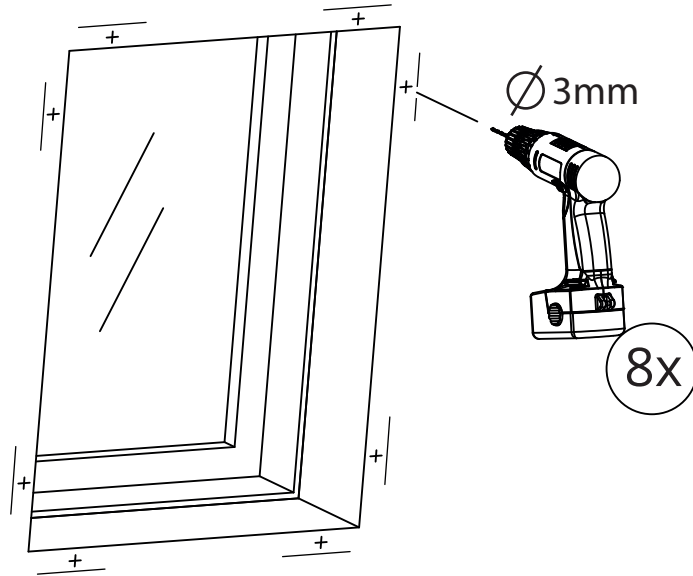


18-b

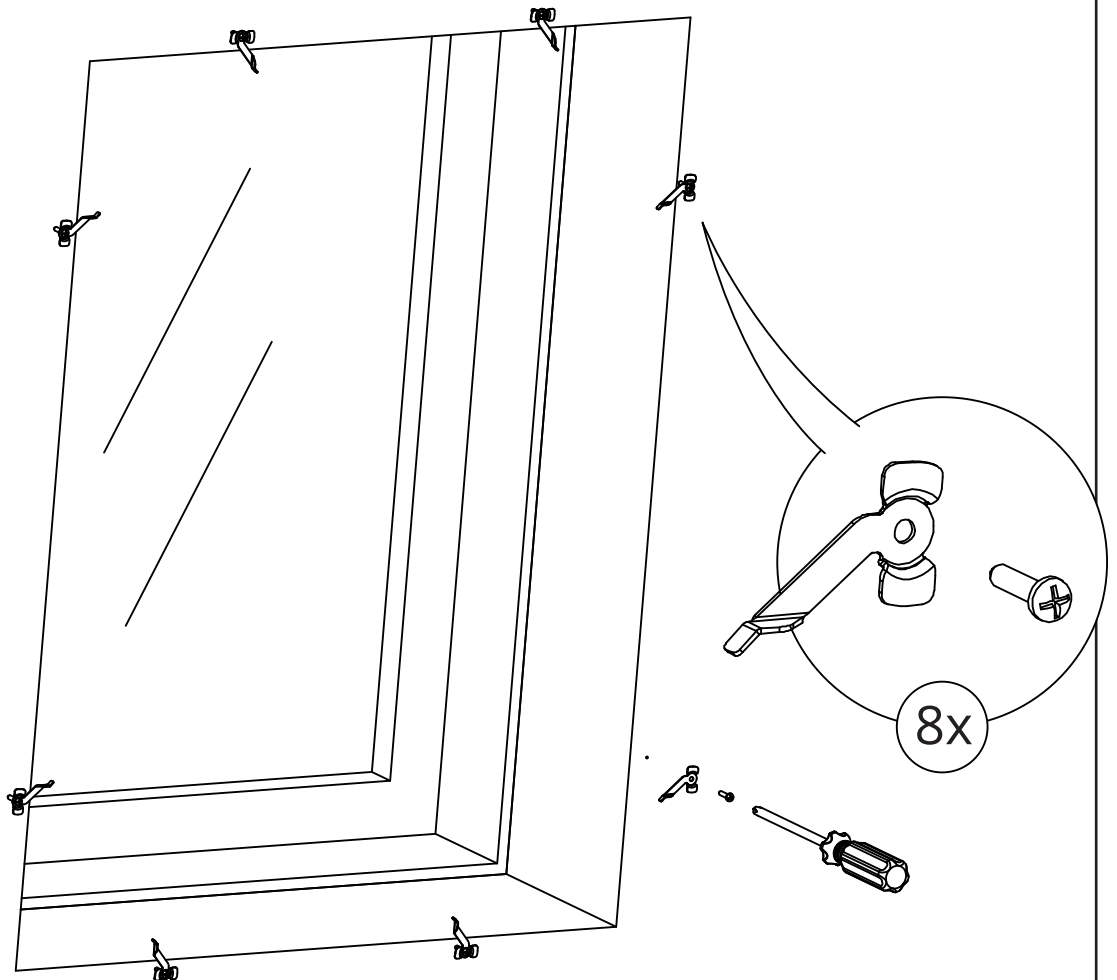


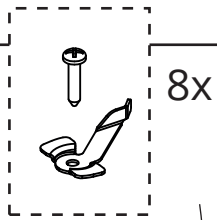


19-b

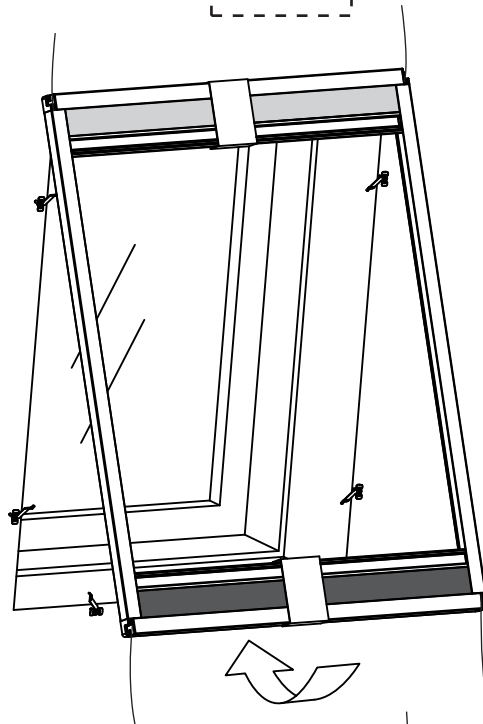


20-b

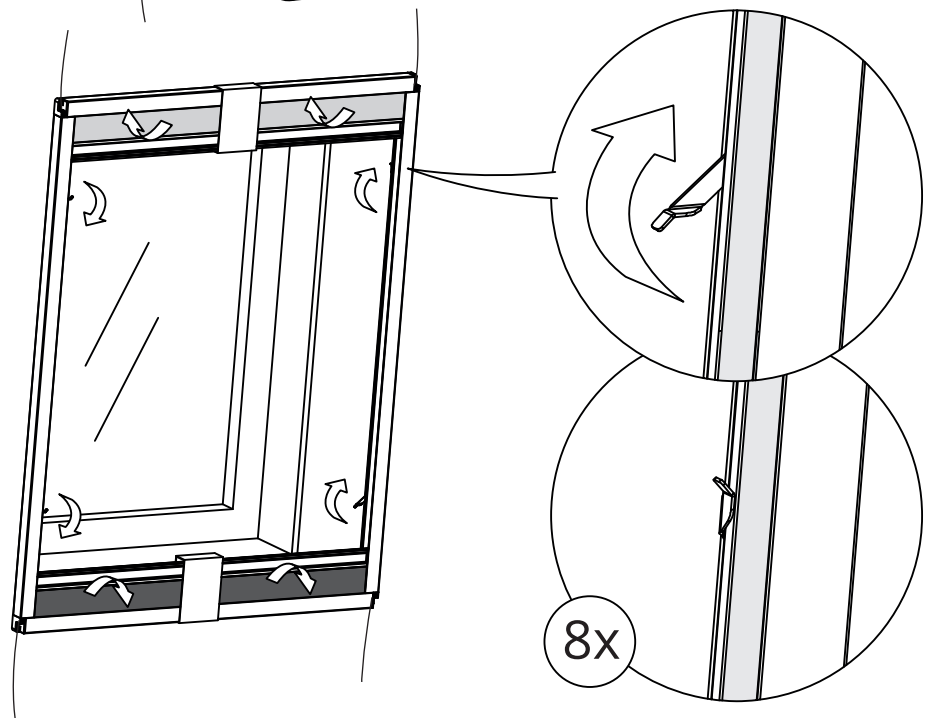




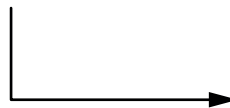
21-b



22-b

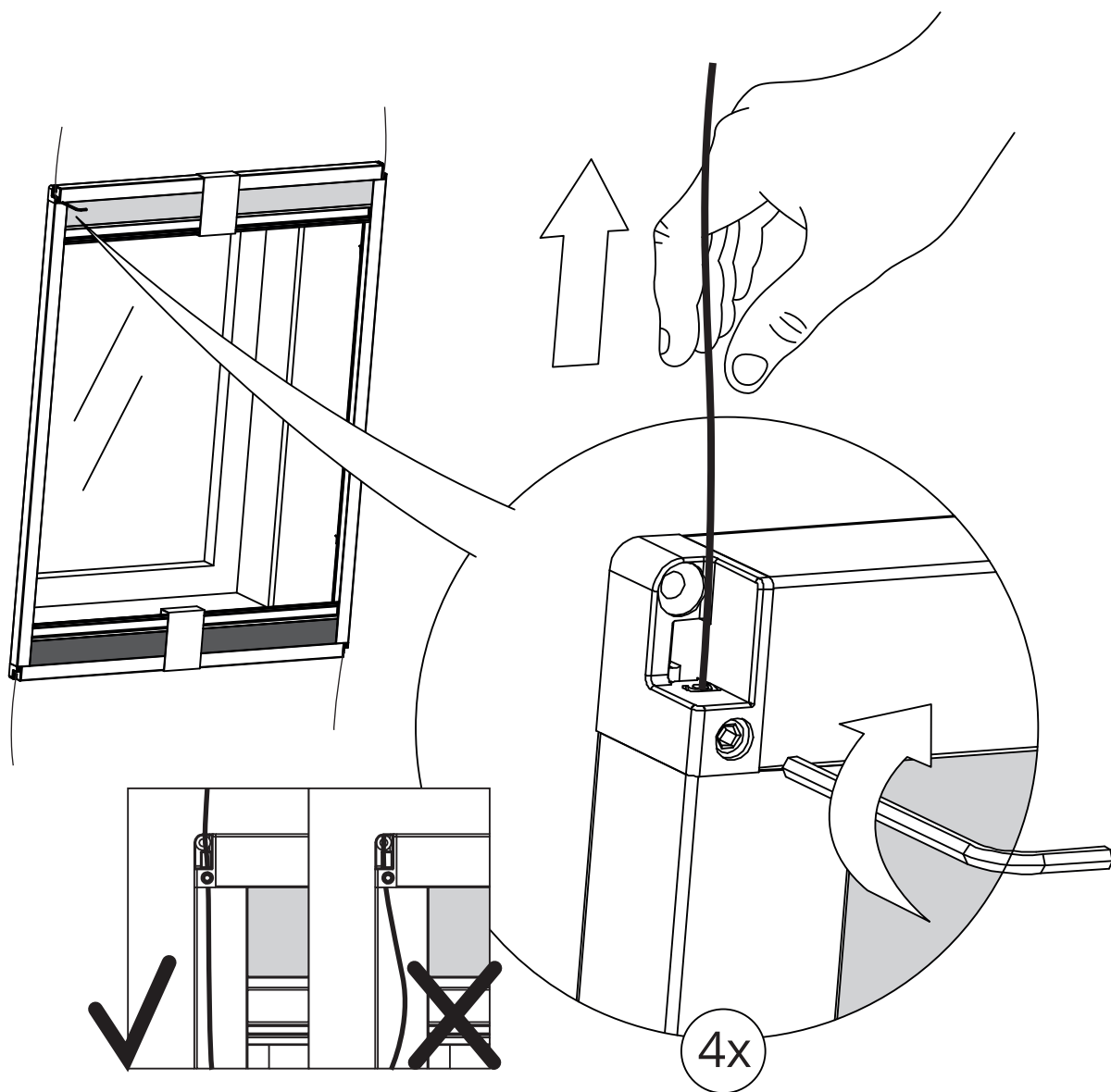


25

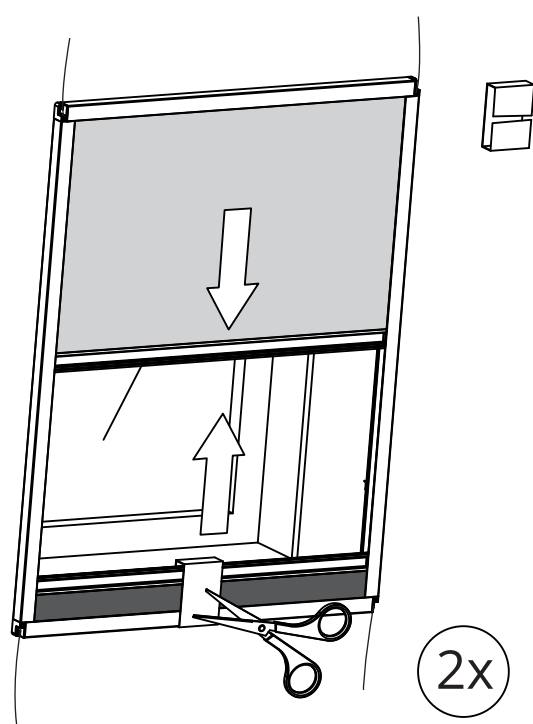


23

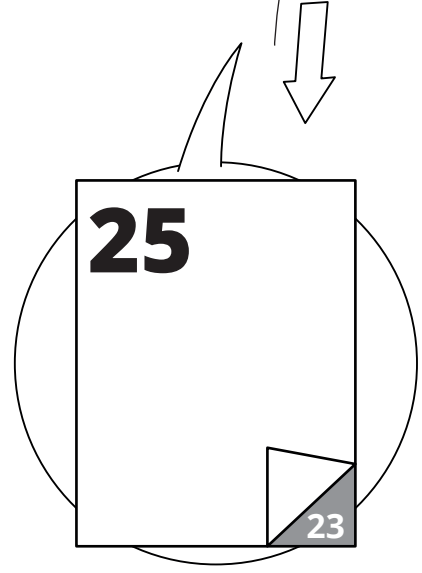
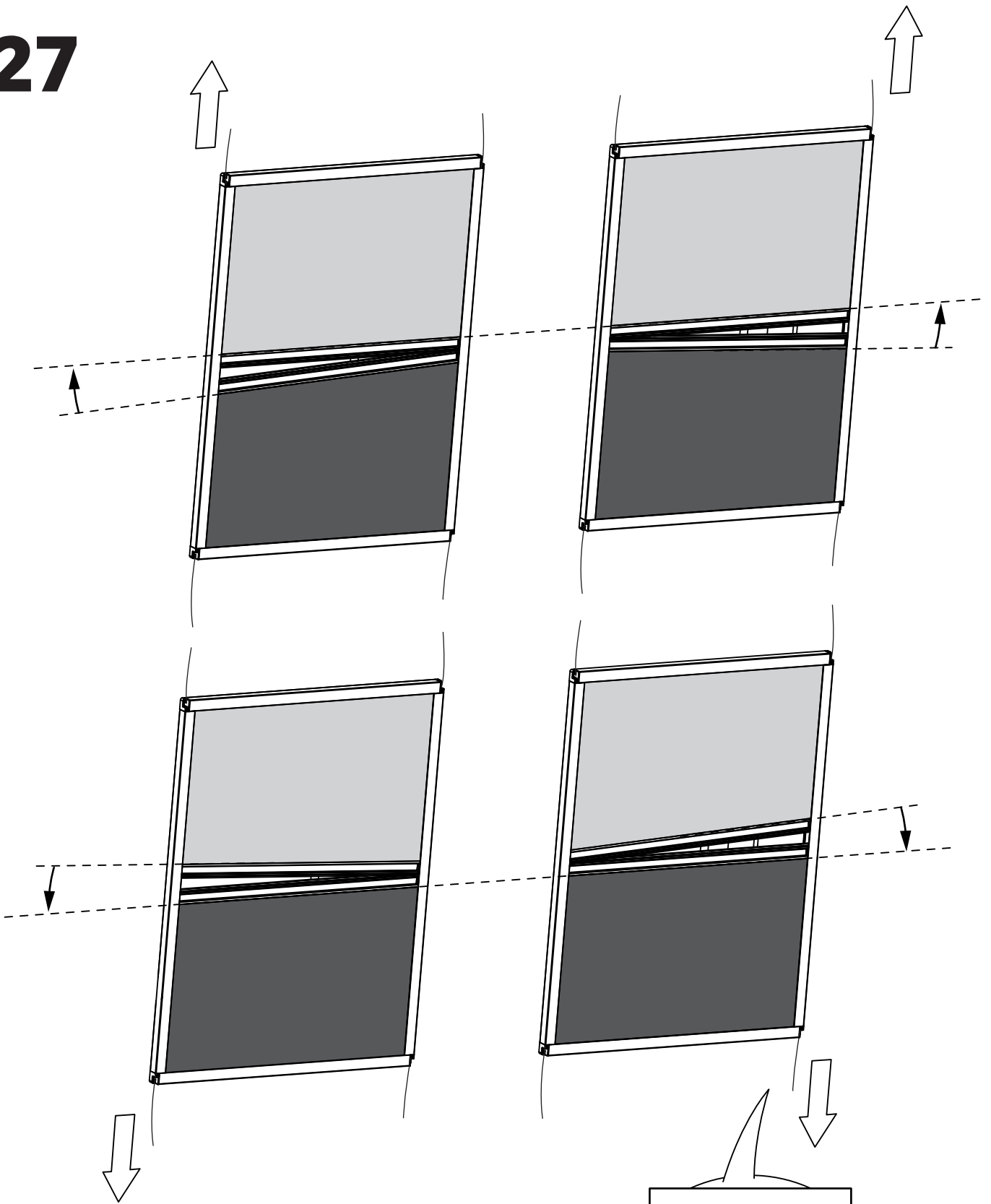
25



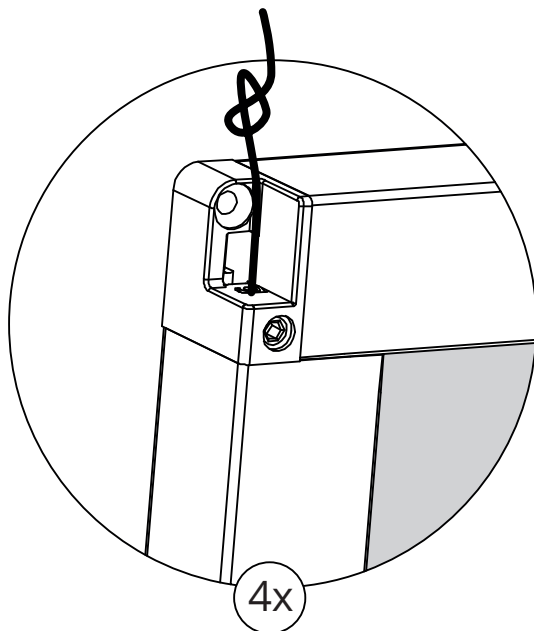
26



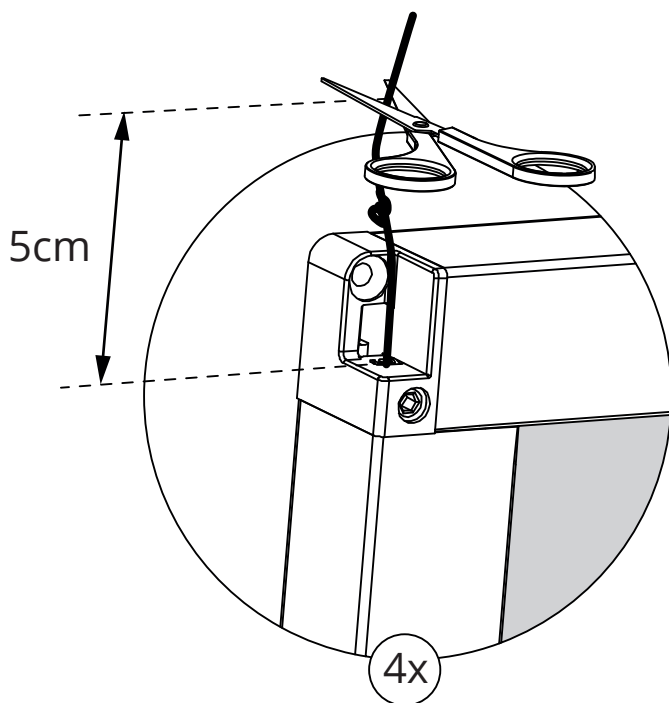
27



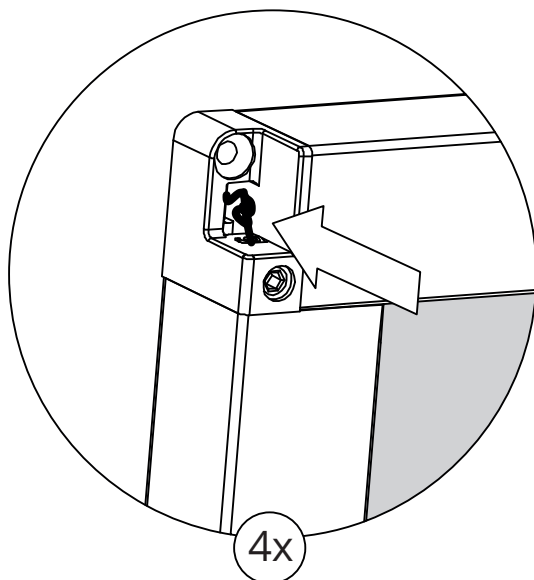
28



29



30



31

