

Mountfield
pool & garden

Azuro

SAND FILTERS / SANDFILTER

EN Installation, assembly and operation manual (original instruction manual)

DE Installations-, Einbau- und Bedienungsanleitung (Originalbetriebsanleitung)

Load QR code for language versions EN, DE, ES, RU, IT, HU

QR-Code laden für Sprachversionen EN, DE, ES, RU, IT, HU

ES Manual de instalación, montaje y funcionamiento

RU Руководство по установке, сборке и эксплуатации

IT Manuale di installazione, montaggio e funzionamento

HU Telepítési, szerelési és üzemeltetési kézikönyv



ES/EU PROHLÁŠENÍ O SHODĚ (originál)

EC/EU declaration of conformity (the original)

Výrobce / Manufacturer:	Garsys, s.r.o.
Adresa / Address:	Mánesova 535/29, 737 01 Český Těšín.
IČ / ID:	63322447
Jméno a adresa osoby pověřené sestavením technické dokumentace (podle 2006/42/ES, NV č. 176/2008 Sb.) / Name and address of the person authorised to compile the technical file (according to 2006/42/EC):	Garsys, s.r.o., Mánesova 535/29, 737 01 Český Těšín.
Výrobek (stroj) – typ / Product (Machine) – Type:	Písková filtrace SWING/AZURO
Výrobní číslo / Serial number:	SP10/2020/00001 – SP10/2020/99999 SP14/2020/00001 – SP14/2020/99999 SP18/2020/00001 – SP18/2020/99999 SA2/2020/00001 – SA2/2020/99999 SA4/2020/00001 – SA4/2020/99999 SA6/2020/00001 – SA6/2020/99999
Popis / Description:	Řada pískových filtrací SWING/AZURO je určena pro údržbu vody v nadzemních bazénech. Technické údaje: Napájecí napětí: 1x230V+N+PE/50Hz Jmenovitý výkon: 85 W, 190 W, 250 W Stupeň krytí: IP X5 Max. pracovní teplota: 35 °C Zařízení třídy ochrany I dle ČSN 330600
Prohlašujeme, že strojní zařízení splňuje všechna příslušná ustanovení uvedených směrnic (NV) / We declare that the machinery fulfils all the relevant provisions of the mentioned Directives (Government Provisions):	Strojní zařízení – směrnice 2006/42/ES, NV č. 176/2008 Sb. / the Machinery Directive 2006/42/EC, Elektromagnetická kompatibilita – směrnice 2014/30/EU, NV č. 117/2016 Sb. / the Electromagnetic Compatibility (EMC) Directive 2014/30/EU, ROHS – směrnice 2011/65/EU RoHS
Harmonizované technické normy a technické normy použité k posouzení shody / The harmonized technical standards and the technical standards applied to the conformity assessment:	ČSN EN ISO 12100, , ČSN EN 60335-1 ed.2, ČSN EN 60335-2-41 ed.2 ČSN EN 61000-6-3 ed.2:2007, +/A1:2011, +/Opr.1:2013 ČSN EN 61000-6-1 ed.2:2007, +/Z1:2019 ČSN EN 16713-1
Posouzení shody provedla / The conformity assessment carried out by:	STÁTNÍ ZKUŠEBNA STROJŮ a.s./ The Government Testing Laboratory of Machines J.S.C. Třanovského 622/11, CZ-163 04 Praha 6-Řepy, ČR / Czech Republic. Závěrečná zpráva č. / The Final Report No.: 38 572.

Poznámka: Veškeré předpisy byly použity ve znění jejich změn a doplňků platných v době vydání tohoto prohlášení bez jejich citování. /
Note: All regulations were applied in wording of later amendments and modifications valid at the time of this declaration issue without any citation of them.

Místo a datum vydání /
Place and date of issue:

Osoba zmocněná k podpisu za výrobce /
Signed by the person entitled to deal in the name of producer:

Jméno / p. SARAN Tomáš
Name:

Funkce / Jednatel společnosti
Grade:

Podpis /
Signature:



SAND FILTER

Azuro 2m³/h
Azuro 4m³/h
Azuro 4m³/h + Timer
Azuro 6m³/h + Timer
for above-ground pools

EN

Installation, assembly and operation manual



PRIOR TO INSTALLING AND USING THIS PRODUCT, THOROUGHLY READ, UNDERSTAND AND ADHERE ALL THE INSTRUCTIONS IN THE MANUAL. KEEP THE MANUAL FOR LATER REFERENCE.

Version 4/ August 2021

General

Made for Mountfield a.s. by Garsys s.r.o., industrial zone at the František mine, K Prádlu, 735 Horní Suchá, 735 35; country of origin: Czech Republic

Safety Instructions



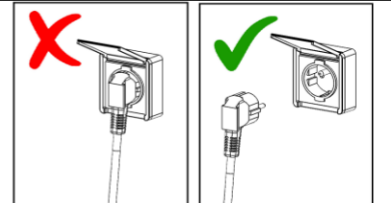
This symbol marks instructions if failure to comply can endanger personal health.



This symbol marks instructions if failure to comply can result in electrical shock injuries.



WHEN SWIMMING IN THE POOL OR HANDLING IT IN ANY WAY, DISCONNECT THE APPLIANCE FROM THE POWER SUPPLY.

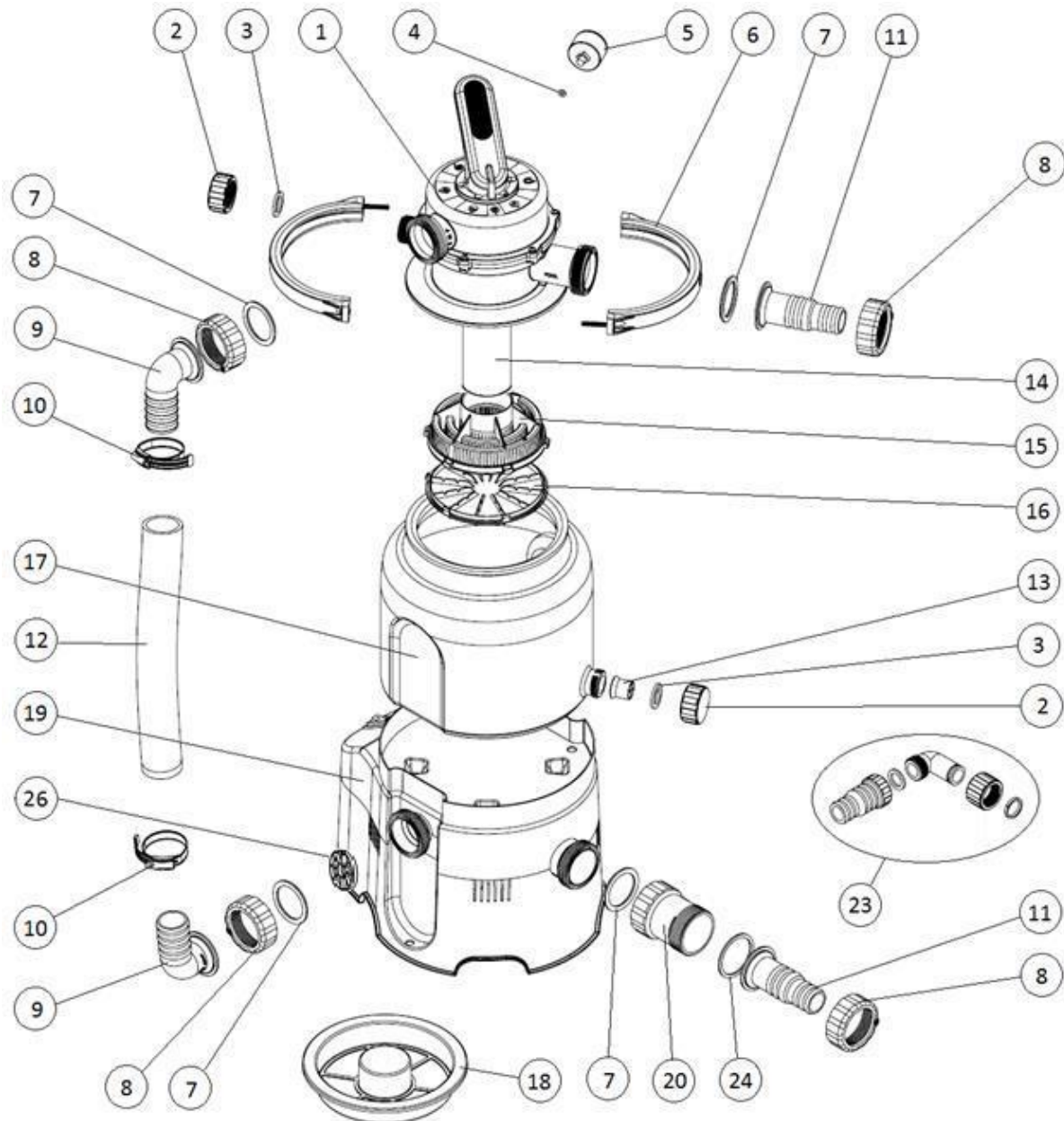


READ AND OBSERVE ALL INSTRUCTIONS.

Failure to comply with the instructions in this manual can result in injuries or even death caused by electric shock.

- This appliance may be used by children 8 years of age and older and by persons with reduced physical, sensory or mental abilities or lack of experience and knowledge if they have been supervised or instructed in the safe use of the appliance and understand the resulting hazards. Children may not play with the appliance. Cleaning and user maintenance shall not be made by children without supervision.
- Make sure the appliance's power supply complies with the related ČSN standards, is at least 3.5 m from the pool and protected by a residual current device with tripping current of no more than 30 mA.
- The device is to be connected directly to the electrical socket. When using an extension, only use an extension that complies with ČSN standards for exterior applications.
- Do not attempt to disconnect the power supply plug from the socket with wet hands or when standing in water.
- Place the device so that children won't be able to use it as a tool to get into the pool.
- Keep children at a safe distance from the device and the power cord. Make sure children won't play with the appliance
- Do not dig the power cord of the appliance into the ground (to prevent its damage). Place it so that it cannot be damaged by lawnmowers, hedge trimmers or similar tools.
- Leave the power cords accessible only to the maintenance personnel (in case the power supply needs to be disconnected).
- Prior to persons people the pool, the appliance needs to be disconnected from the mains. The appliance may not be used if there are people in the pool
- Never operate the appliance without any water.
- Never operate the appliance if it's damaged or defective. Any defects are to be rectified immediately. Use original spare parts for maintenance and repair purposes.
- Never turn the appliance on if the six-way valve is in the CLOSED position or if the pipeline circuit is impassable; otherwise, there is a risk of damage, breaking, rupture or avulsion of its lid, which can result in bodily harm or property damage.
- Regularly check the filter sedimentation status, an clean the pre-filter and the skimmer basket in order to prevent pump damage and ensure proper system functioning.

Component list – AZURO 2m³/h

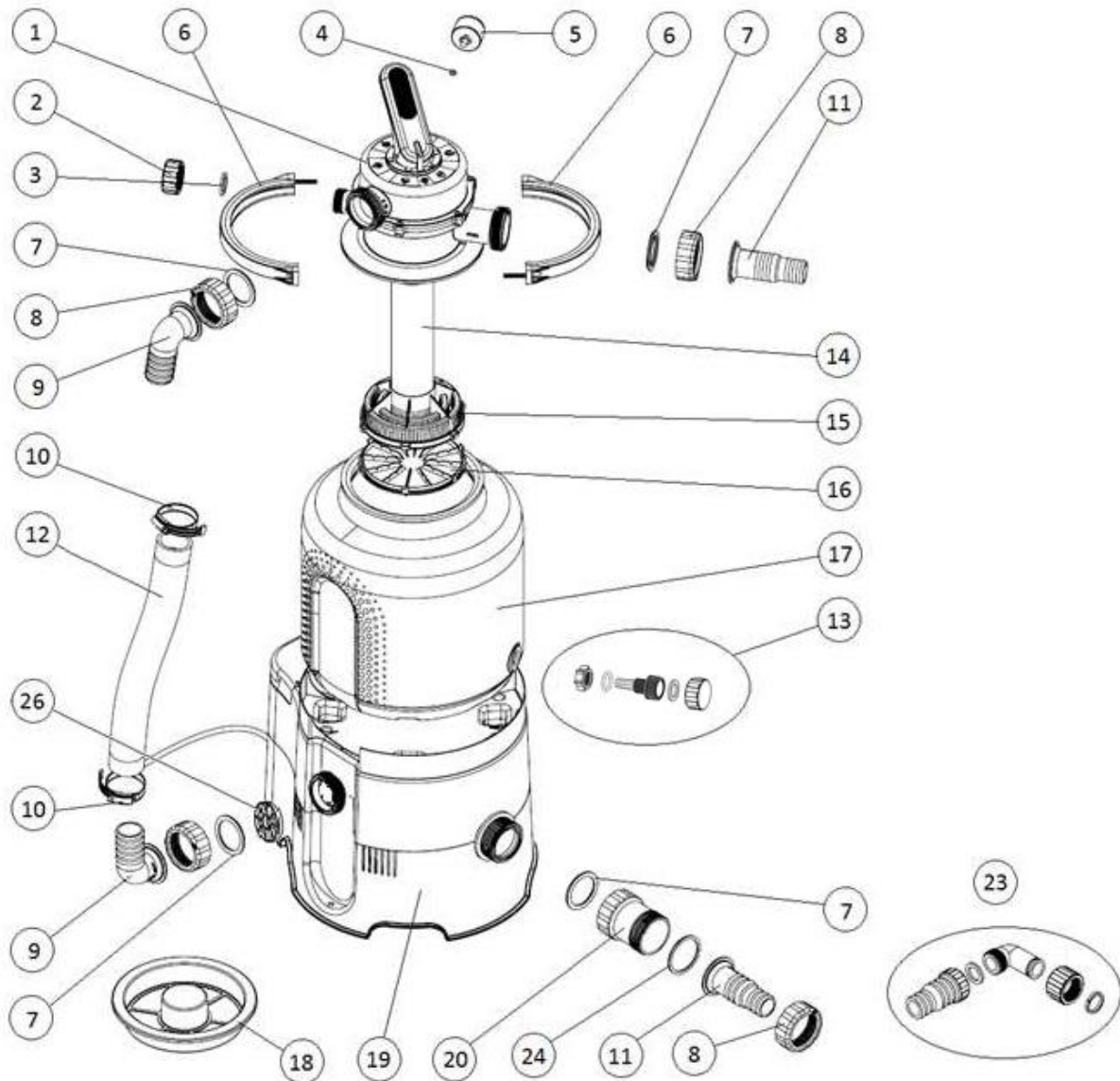


Item	Name	Quantity
1	Multiport valve	1
2	Plug	2
3	Flat lid gasket	2
4	Flat pressure gauge gasket	1
5	Pressure gauge	1
6	Valve sleeve 1/2, incl. connection materials	2
7	Shaped arbour and elbow gaskets	4
8	Shaped arbour and elbow nuts	4
9	Elbow D38	2
10	Hose clamp 40-60	2
11	Arbour D32/38	2
12	Interconnecting hoses	1
13	Drainage strainer	1

Item	Name	Quantity
14	Suction pipe	1
15	Suction basket	1
16	Suction basket bottom	1
17	Vessel	1
18	Hopper	1
19	Base with pump	1
20	Pre-filter	1
21	Pool hose – 3 parts	2
22	Hose clamp 25-40	4
23	Waste set	1
24	Flat prefilter gasket	1
25	Teflon band	1
26	Foreign body intrusion prevention grate	1

Component list – AZURO 4m³/h

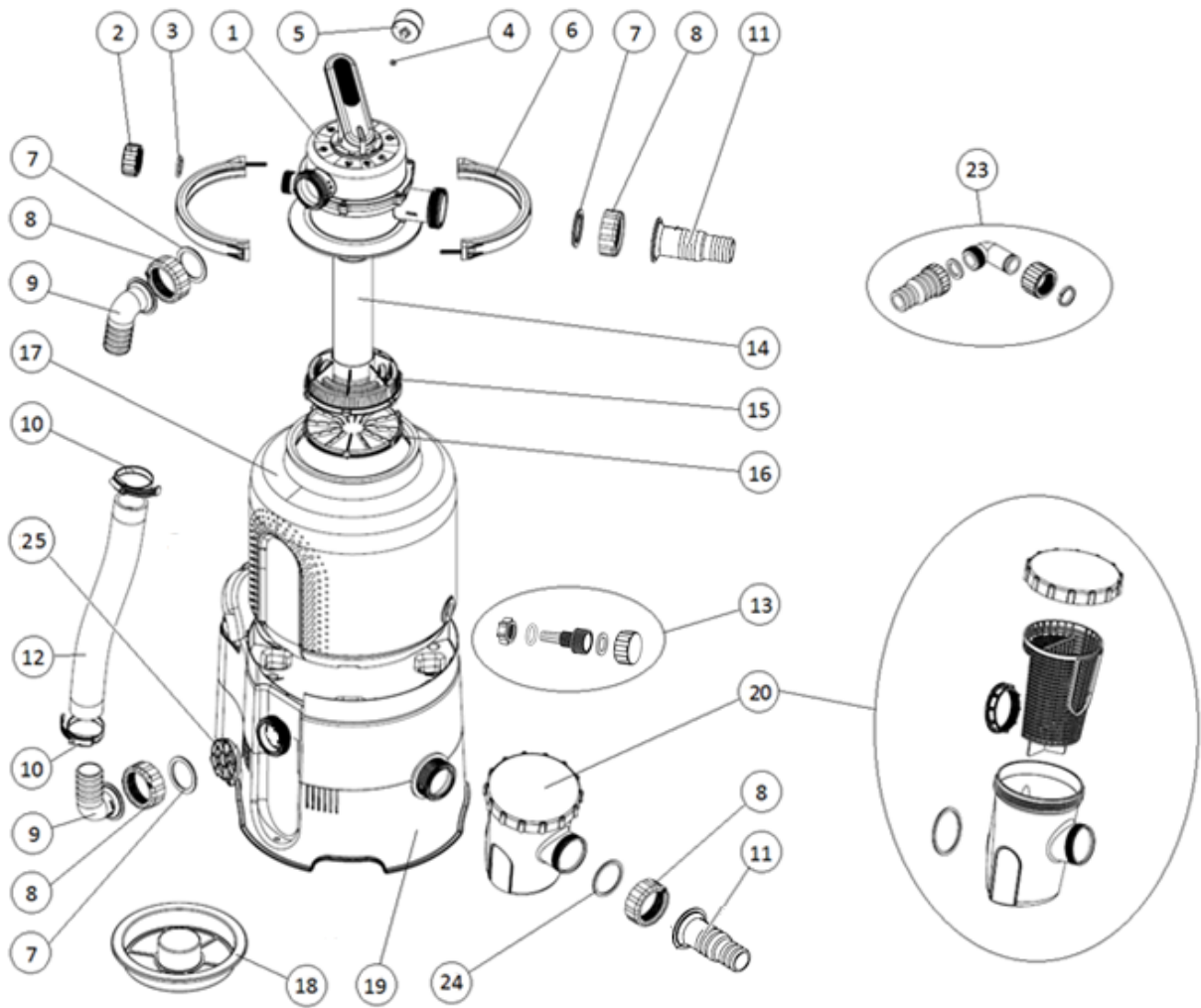
Component list – AZURO 4m³/h + Timer



Item	Name	Quantity
1	Multiport valve	1
2	Plug	1
3	Flat lid gasket	1
4	Flat pressure gauge gasket	1
5	Pressure gauge	1
6	Valve sleeve 1/2, incl. connection materials	2
7	Shaped arbour and elbow gaskets	4
8	Shaped arbour and elbow nuts	4
9	Elbow D38	2
10	Hose clamp 40–60	2
11	Arbour D32/38	2
12	Interconnecting hoses	1
13	Drainage bolting	1

Item	Name	Quantity
14	Suction pipe	1
15	Suction basket	1
16	Suction basket bottom	1
17	Vessel	1
18	Hopper	1
19	Base with pump	1
20	Pre-filter	1
21	Pool hose – 3 parts	2
22	Hose clamp 25–40	4
23	Waste set	1
24	Flat prefilter gasket	1
25	Teflon band	1
26	Foreign body intrusion prevention grate	1

Component list – AZURO 6m³/h + Timer



Item	Name	Quantity
1	Multiport valve	1
2	Plug	1
3	Flat lid gasket	1
4	Flat pressure gauge gasket	1
5	Pressure gauge	1
6	Valve sleeve ½, incl. connection materials	2
7	Shaped arbour and elbow gaskets	3
8	Shaped arbour and elbow nuts	4
9	Elbow D38	2
10	Hose clamp 30-45	6
11	Arbour D32/38	2
12	Interconnecting hose	1
13	Drainage bolting	1

Item	Name	Quantity
14	Suction pipe	1
15	Suction basket	1
16	Suction basket bottom	1
17	Vessel	1
18	Hopper	1
19	Base with pump	1
20	Pre-filter	1
21	Pool hose – 3 parts	2
22	Teflon band	1
23	Waste set	1
24	Flat pre-filter gasket	1
25	Foreign body intrusion prevention grate	1

Purpose

This filtering unit is intended for water filtering in seasonal above-ground pools. It is not intended for pools operated throughout the year. The filtering pump is not self-suction, which is why the filtering needs to be installed below the water level in the pool, with natural watering.

WARNING: The depictions in this manual are merely illustrative and can differ from the actual product. We reserve the right to alter the product partially or completely without prior notice.

Filtering unit usage conditions:

- water pH of 6–8.5
- max. chlorine content of 10 mg/l
- max salt content of 0.5%

Prior to Commissioning

Prior to the completion and commissioning of the appliance, unpack all of its components.

Keep the filtering equipment at a safe distance from its surroundings (allowing safe operation).

The filtering equipment needs to be positioned on a platform (such as a concrete boards etc.). The platform should be laid and levelled using a spirit level. The appliance should not be standing in grass, as it could overheat. Make sure the appliance does not get flooded. Flooding could be damage the machine or expose people to danger of electrical shock.

If the pool has already been partially or completely filled, you need to position the filtering appliance into a filtering shaft, which will be interconnected with the pool. If your filtering equipment has been placed in the shaft, make sure the shaft cannot be flooded with water. In order to prevent the flooding, it is recommended that you gravel it (so that small amounts of water are absorbed) and create a direct sewer drainage. It is important to ensure good ventilation for the shaft, otherwise the appliance may be damaged due to water condensation.

The required accessories, such as more hoses, hose clamps and filtering sand (not included in the delivery) are available from the vendor.



Must not be dry-operated (with no water)!!! Using the filtering equipment in such way voids the warranty.

Technical Data

	AZURO 2m³/h	AZURO 4m³/h AZURO 4m³/h + Timer	AZURO 6m³/h + Timer
Voltage	230 V / 50 Hz	230 V / 50 Hz	230 V / 50 Hz
Power consumption	85 W	190 W	250 W
System flow-through	2 m ³ /h	4 m ³ /h	5.5 m ³ /h
Protection class	IP X5	IP X5	IP X5
Discharge	1.5 m	1.5 m	1.5 m
Filter diameter	143 mm	143 mm	143 mm
Effective filtering surface	0.036 m ²	0.036 m ²	0.036 m ²
Operating pressure	0.2 bar	0.3 bar	0.5 bar
Maximum working pressure	0.4 bar	0.6 bar	1.0 bar
Maximum water temperature	35 °C	35 °C	35 °C
Sand load	10 kg	14 kg	18 kg
Granularity	0.6 - 1.2 mm	0.6 - 1.2 mm	0.6 - 1.2 mm



Protect the environment! Do NOT dispose of this product with household waste. The product contains electrical/electronic components. Pursuant to the European directive 2012/19/EU, electrical and electronic devices may not be disposed of as communal waste – it is necessary to turn them in for environmentally friendly disposal at dedicated collection points. Information about these points are available at your city hall.

Assembly

Note: Since all connections have gaskets, there is no need to tighten the nuts too much. This could damage plastic parts.

Note: You'll need a cross-point screwdriver for the assembly.

1. Mounting of the drainage bolting into the vessel.

Insert a threaded drain component with an O-ring mounted through the container drain opening (**FIG. 1.1**). Secure the part inside the tank with a sleeve nut (**FIG. 1.2**). Tighten the joint firmly to ensure a perfect seal and to prevent it from coming loose when removing the plug when using filtration. Mount the plug with a gasket onto the external thread (**FIG. 1.5**). Hand-tightening is sufficient for connection sealing. You might damage the parts if you use pliers.

1.A For 10L vessels with a drain socket, proceed as follows:

Screw the plug with a gasket onto the socket (**FIG. 1.5**). Hand-tightening is sufficient for connection sealing. You might damage the parts if you use pliers.

2. Suction basket completion

Put a suction pipe into the suction basket (**FIG. 2.1**). Put the unit into the empty vessel (**FIG. 2.2**) and fix its position by putting the hopper on (**FIG. 2.3**). The vessel is now ready for filling with sand.

3. Filling with Sand

Prior to the filling, we recommend that you put the vessel onto the pump platform. The filled vessel is difficult to handle. Fit the vessel side skims with the skims in the stand; the drainage bolting must point away from the switch (**FIG. 3.1**).

With the hopper put on, fill the vessel with a required amount of sand (**FIG. 3.2**). The sand level in the vessel should be reaching the top of the side skims (**FIG. 3.3**). Afterwards, take the hopper off and remove grains of sand and other impurities from the sealing surface of the vessel socket.

4. Multiport Valve Installation

Put an O-ring through the bottom of the valve and put the valve onto the socket of the filled vessel. Direct the valve so that its PUMP/ČERP socket is pointing in the same direction as the pump outlet in the vessel stand. Afterwards, put both sleeve halves onto the vessel recess, connect with bolts (**FIG. 4.3**) and tighten evenly.

Insert a small rubber gasket into the pressure gauge opening, screw the pressure gauge body (**FIG. 4.1**) on with your hand and tighten lightly.

!!! Make sure the screwing is done properly; otherwise, you may damage the fine thread!!!

Screw the lid with a gasket onto the WASTE/ODPAD port (**FIG. 4.2**).

5. Connection Hose Installation

Put the constraining clamps onto the hose, put elbows with swivel nuts into both ends of the hose (**FIG. 5.1**). Insert the particle grate into the side outlet of the pump (**FIG. 5.2**), ; afterwards connect the prepared hose to this outlet and the PUMP/ČERP port of the valve using swivel nuts and gaskets (**FIG. 5.3**).

!!! The hose clamps are only to be tightened once the swivel nuts have been tightened!!!

6. Prefilter and Arbour Assembly

Mount the transparent prefilter onto the suction socket of the pump and then mount the hose connection arbour onto the prefilter (**FIG. 6.1**).

!!! Pay attention to the shape of the used gasket!!!

6.A For Azuro 6m³/h + Timer filtering equipment with a large prefilter, proceed as follows:

Pull the prefilter body along with a gasket over the pump socket and fix using a swivel nut inside the prefilter; put the impurity basket into the prefilter and close with a lid with the O-ring. Use a swivel nut to mount the elbow with a gasket onto the socket (**FIG. 6.2**).

!!! Pay attention to the shape of the used gasket!!!

Screw the second connecting hose arbour onto the POOL/BAZÉN port of the valve (**FIG. 6.3**) / elbow (**FIG. 6.4**).

7. Connecting the appliance to the pool – see FIG. 7.1. and 7.2.

Use suitable pool hoses and hose clamps to connect the appliance to the pool.

Product operation

1. Pump Watering/venting

Remove the lid off the “ODPAD/WASTE” port (FIG. 8.1), turn the lever of the valve to the VENTING position and wait until water starts pouring out of the port (FIG. 8.2). Afterwards, switch the valve lever to the CLOSED position and screw the lid back on. Finally, switch the lever to the FILTERING position. You can now run the filtering.

Prior to the first use or after a sand filling replacement, you first need to rinse the sand.

2. Start-up

Use the switch at the rear of the filtering equipment to activate the device.

ON – FIG. 9.1

OFF – FIG. 9.2



Prior to plugging the appliance into the mains, check the valve position!

Never turn the appliance on if the six-way valve is in the CLOSED position or if the circulation pipeline is impassable.

2.A Azuro equipment with the “T” marking features an adjustable timer (FIG. 9.3):

Use the moving switch to select the required functionality. The timer can be set by 20-minute steps in a 24-hour cycle. One step corresponds to 20 minutes, which makes 3 steps equal to 1 hour. The LED indicator indicates the device is running.

3. Operation

Set the valve to the FILTERING position and turn the appliance on. Regularly check the filtering flow-through (pressure on the pressure gauge) and rinse the sand based on the measured values.

It is advisable to set a filtering schedule corresponding to the size and usage of the pool. Proper filtering is contingent upon having the water filtered at least once a day. Therefore, the minimum operation time of the filtering equipment is the volume of the pool divided by the flow-through of the filtering equipment.

Example: When using AZURO 2m³/hr to filter a 10m³ pool, the minimum time would be 5 hours.

4. Prefilter Cleaning

If the prefilter is visibly dirty or the functionality of the filtering equipment is diminished, clean the prefilter with a stream of water (FIG. 10.1). AZURO 6m³/h + Timer (FIG. 10.2).

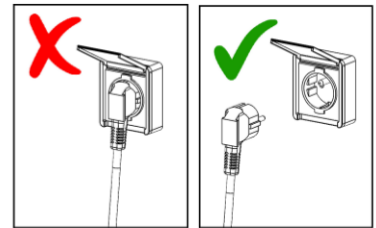
5. Backwash Sand

It is possible to tell by the vessel pressure when it's necessary to rinse the filtering medium. After the first running with clean filtering sand, make note of the pressure value; if the pressure later rises by more than one unit on the scale, you need to BACKWASH (2–3 minutes) + RINSE (about 30 seconds) – see “Valve Positions”. If filtering is performed every day, it is recommended to rinse the sand at least once per week.

For the filtering functions such as BACKWASH, RINSE and WASTE, you can use the waste set – screw the arbour (or an elbow with the waste hose arbour) directly onto the “ODPAD/WASTE” port instead of a cap.

WHEN DRAINING WATER FROM THE “ODPAD/WASTE” PORT, MAKE SURE YOU COMPLY WITH ALL LEGAL REQUIREMENTS FOR WASTE WATER HANDLING. DO NOT LET THE WATER INTO PLACES WHERE IT COULD CAUSE DAMAGE BY FLOODING. THE “ODPAD/WASTE” PORT CAN BE FITTED WITH WASTE HOSE CONNECTION THREADING. WHEN FILTERING, THE “ODPAD/WASTE” PORT SHOULD BE CLOSED BY A CAP.

Controlling the Multi-port Valve



Always disconnect the appliance from the power supply prior to valve position changes.

Prior to the handling, wait for about half a minute after the pump has been turned off to let the impurities and sand set down.

Push the lever downwards (**FIG. 12.1**), turn it to the required position (**FIG. 12.2**).

Care

Visible impurities are removed using the filtering system. However, that is not the case for algae, bacteria and micro-organisms, which are a constant obstacle when striving for clean, safe water in your pool. There are many specialized preventive products, which in correct concentrations work against all of the above and keep the water in your pool hygienically sound and clean.

Maintenance

During the swimming season, regularly check the operation of the appliance. It is important for identification and remedy of potential defects. The supplier cannot be held liable for damage caused by filtering unit or electrical equipment defects.

Rinse the sand on regular basis. If the rinsing does not improve the permeability of the filtering sand (i.e. the pressure gauge value remains high), change the sand.

Do not use solvents to clean the filter cap or the vessel itself, as you could damage its surface (it could lose its gloss, transparency etc.).

Winterizing

At the end of the season, it is necessary to clean, drain, disassemble and store the filtering equipment. Disconnect the filtering equipment from the pool and use the draining valve, which is located at the bottom of the filtering vessel, to drain the water from the vessel.

Open the filter vessel and take the sand out. Clean the sand and remove any lumps or gobs. Change the sand in the vessel on regular basis.

As preparation for winter, re-assemble the filtering equipment and store it in a winter-resistant and dry room. Turn the valve lever to the VENTING/WINTERIZING position, which is used to winterize the filtering equipment.

Warranty Terms and Servicing

Warranty conditions apply as described in the seller's warranty certificate.

In case you need an advice, service support or a spare part, contact your dealer. Use original spare parts for maintenance and repair purposes.

Product Tests

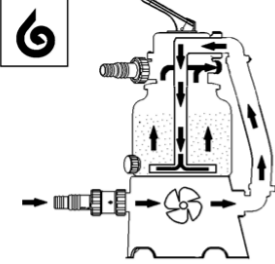
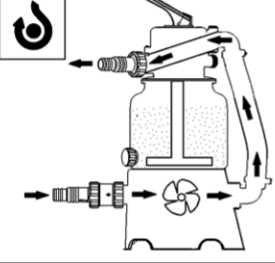
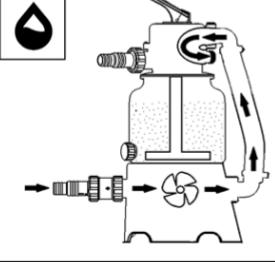
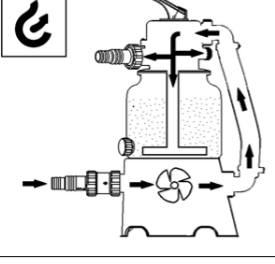
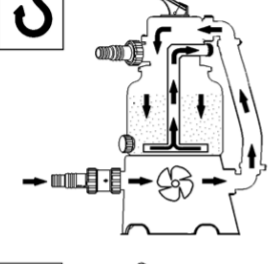
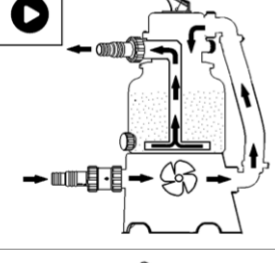
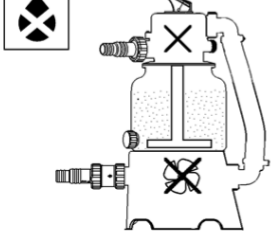
The product is a subject to EN 60335-2-41 and in conformity with the directives 2006/42/ES (the machinery directive), 2014/30/EU (electromagnetic compatibility), 2014/35/EU (electrical devices) and the requirements of the RoHS directive on hazardous substance content in electrical devices. The product has been tested in the Government Testing

Laboratory of Machines

Troubleshooting

Low or no flow-through	The filtering equipment has not been vented.	Vent the filtering equipment.
	Valve lever in the CLOSED position	Switch to the FILTERING position.
	Sand is too dirty.	RINSE or change the sand.
	Clogged prefilter	Demount and rinse the prefilter.
	Clogged skimmer	Demount and rinse the skimmer basket.
	Damaged filtering equipment	Please contact servicing.
Sand is getting to the pool.	Handling the valve lever when filtering is underway	Turn the filtering off prior to handling the lever.
	Low granularity of the filtering sand	The recommended granularity is 0.6–1.2 mm.
	High sand level in the vessel	Reduce the sand level in the vessel
The pump sucks air in (bubbles are forming in the system)	Insufficiently tightened connections	Carefully tighten the swivel nuts.
	Leaks in the prefilter connections	Re-seal the connections.
	Damaged sealing	Check the connection sealing “upstream” of the pump.
Water leaks from the appliance	Leaking connections	Tighten/re-seal the connections.
	Damaged sealing	Check the sealing.
Water in the pool cannot be cleaned.	Insufficient chemical treatment for the water	Check the pH and chlorine content in the water.
	Insufficient filtering time	Extend the filtering time.

Valve Positions

	<p>BACKWASH – water flows through the sand in the opposite direction, washing away impurities; instead of flowing back to the pool, it is drained through the “WASTE” port – remove the cap!</p>
	<p>BYPASS – water flows through the appliance, bypassing the sand filling.</p>
	<p>WASTE – water bypasses the sand filling and flows into the “WASTE” port – remove the cap! This position is used to reduce water level in the pool or extraction of rough impurities.</p>
	<p>VENTING/WINTERIZING – in this position, the valve is permeable in all directions; the escaping air causes watering of the pump chamber. The position is also used for winterizing or long-term filtering equipment shutdowns.</p>
	<p>RINSE – this position is used when running for the first time with a new sand filling or after BACKWASHING; the stirred sand sets down and remaining impurities are flushed through the “WASTE” port – remove the cap!</p>
	<p>FILTERING – primary position of the valve, the water is filtered through the sand filling and returned to the pool.</p>
	<p>CLOSED – do not turn the appliance on!</p>

SANDFILTER

Azuro 2m³/h

Azuro 4m³/h

Azuro 4m³/h + Timer

Azuro 6m³/h + Timer

Für Aufstellpool

DE

Installations-, Einbau- und Bedienungsanleitung
(Originalbetriebsanleitung)



**VOR INSTALLATION UND GEBRAUCH DIESES PRODUKTES BITTE ALLE IN
DIESER BETRIEBSANLEITUNG ANGEFÜHRTEN ANWEISUNGEN
DURCHLESEN, VERSTEHEN UND BEACHTEN. BEWAHREN SIE DIESE
ANLEITUNG FÜR EVENTUELLEN KÜNFTIGEN BEDARF AUF.**

Version 4 / August 2021

Allgemeines

Für Mountfield a.s. von Garsys s.r.o., Gewerbegebiet am Bergwerk František, Straße K Prádlu, 735 Horní Suchá, 735 35; Herkunftsland: Tschechische Republik hergestellt.

Sicherheitshinweise



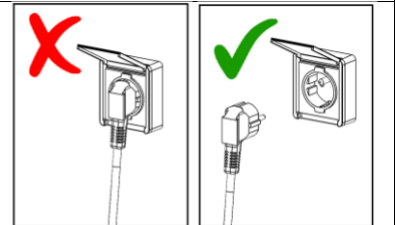
In dieser Anleitung sind mit diesem Symbol Anweisungen gekennzeichnet, bei deren Nichtbeachtung Personenschäden entstehen können.



In dieser Anleitung sind mit diesem Symbol Anweisungen gekennzeichnet, bei deren Nichtbeachtung Stromschlaggefahr besteht.



WENN DIE ANLAGE BEDIENT WIRD ODER
WENN PERSONEN IM SCHWIMMBECKEN
BADEN, IST DIE ANLAGE VOM NETZ ZU
TRENNEN

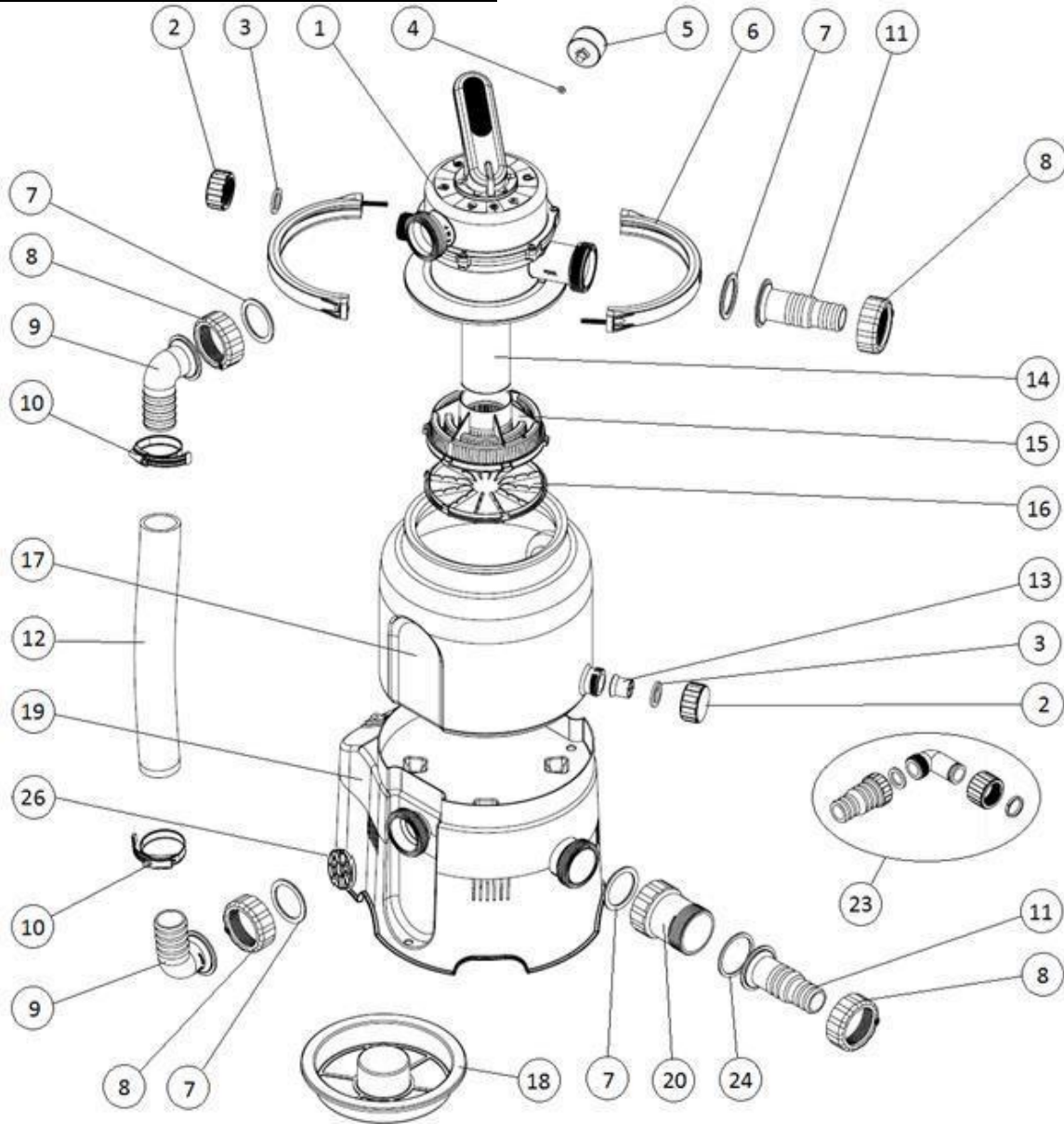


FOLGENDE HINWEISE DURCHLESEN UND BEACHTEN

Die Nichteinhaltung der in dieser Anleitung angeführten Hinweise kann eine Verletzung oder sogar den Tod durch Stromschlag zur Folge haben!

- Die Anlage können Kinder ab 8 Jahren und Personen mit eingeschränkten körperlichen, sinnlichen oder geistigen Fähigkeiten oder mit unzureichenden Kenntnissen und Erfahrungen nur dann benutzen, wenn sie von einer eingewiesenen erwachsenen Person beaufsichtigt werden oder wenn sie in die sichere Verwendung der Anlage unterwiesen wurden und die etwaigen Gefahren verstehen. Kinder dürfen mit der Anlage nicht spielen. Reinigung und Wartung dürfen nicht von unbeaufsichtigten Kindern durchgeführt werden.
- Die Anlage nur an eine Stromversorgungsleitung, die den einschlägigen ČSN-Normen entspricht, und in eine Steckdose einstecken, die sich in einer Entfernung von min. 3,5 m von dem Schwimmbecken befindet, und zwar über einen Stromschutzschalter mit einem Bemessungsausschaltstrom von höchstens 30 mA.
- Die Anlage direkt in die Steckdose einstecken. Beim Einsatz eines Verlängerungskabels nur ein Kabel verwenden, das der ČSN-Norm für den Gebrauch im Freien entspricht.
- Versuchen Sie nicht, den Stecker des Netzkabels in die Steckdose zu stecken oder ihn aus der Steckdose zu ziehen, wenn Sie nasse Hände haben oder im Wasser stehen.
- Positionieren Sie das Gerät so, dass es Kindern nicht als Hilfsmittel zum Betreten des Pools dienen kann.
- Kinder vom Gerät und vom Netzkabel fernhalten. Dafür sorgen, dass keine Kinder mit dem Gerät spielen.
- Das Netzkabel nicht im Boden verlegen, sonst kann dieses beschädigt werden. Es ist so zu positionieren, dass es nicht durch Grasmäher, Heckenscheren oder Ähnliches beschädigt werden kann.
- Die Gabel der Zuleitung für die Bedienung zugänglich lassen, damit das Gerät von der Stromversorgung sofort getrennt werden kann.
- Bevor Personen ins Schwimmbad gehen, ist das Gerät vom Stromnetz zu trennen. Das Gerät darf nicht verwendet werden, wenn sich im Schwimmbad Menschen befinden.
- Das Gerät niemals ohne Wasser betreiben.
- Das Gerät nie betreiben, falls dieses beschädigt oder unvollständig ist. Eventuell auftretende Mängel sind unverzüglich zu beheben. Bei der Wartung und bei Instandsetzungen verwenden Sie Original-Ersatzteile.
- Das Gerät nie einschalten, wenn sich das 6-Wege-Ventil in der Stellung „GESCHLOSSEN“ befindet oder wenn die Rohrleitung im Umlaufsystem verstopft ist; das 6-Wege-Ventil kann beschädigt werden, bersten oder das Ventildeckel kann abgerissen werden, was zu Personen- oder Sachschäden führen kann.
- Die Filterverstopfung regelmäßig prüfen und den Pumpen-Vorfilter sowie Skimmerkorb reinigen, um Beschädigungen der Anlage zu vermeiden und eine ordentliche Funktion des Systems sicherzustellen.

Komponentenverzeichnis – AZURO 2m³/h

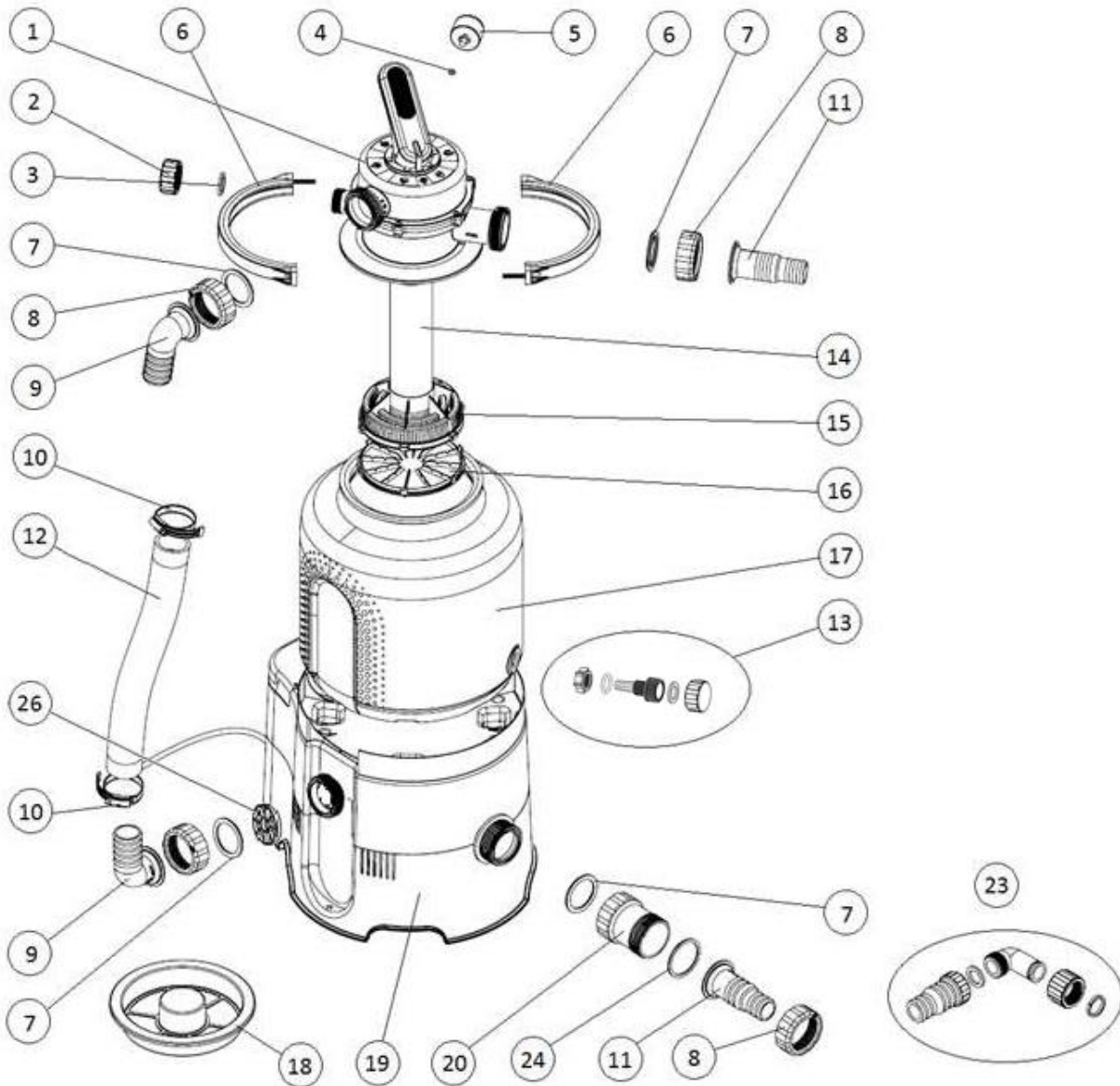


Position	Bezeichnung	Menge
1	Mehrwegeventil	1
2	Stöpsel	2
3	Flache Stopfen-Dichtung	2
4	Flache Manometer-Dichtung	1
5	Manometer	1
6	Ventilfassung 1/2 einschl. Verbindungsmaterial	2
7	Formdichtung – Dorne und Winkelstücke	4
8	Überwurfmutter – Dorne und Winkelstücke	4
9	Winkelstück D38	2
10	Schlauchschnelle 40-60	2
11	Dorn D32/38	2
12	Verbindungsschlauch	1
13	Ablasssieb	1

Position	Bezeichnung	Menge
14	Saugrohr	1
15	Saugkorb	1
16	Saugkorbboden	1
17	Behälter	1
18	Schütte	1
19	Sockel mit Pumpe	1
20	Vorfilter	1
21	Beckenschlauch 3tlg.	2
22	Schlauchschnelle 25-40	4
23	Ablauf-Set	1
24	Flache Vorfilter-Dichtung	1
25	Teflonband	1
26	Gitter gegen Eindringen von Fremdkörpern	1

Komponentenverzeichnis – AZURO 4m³/h

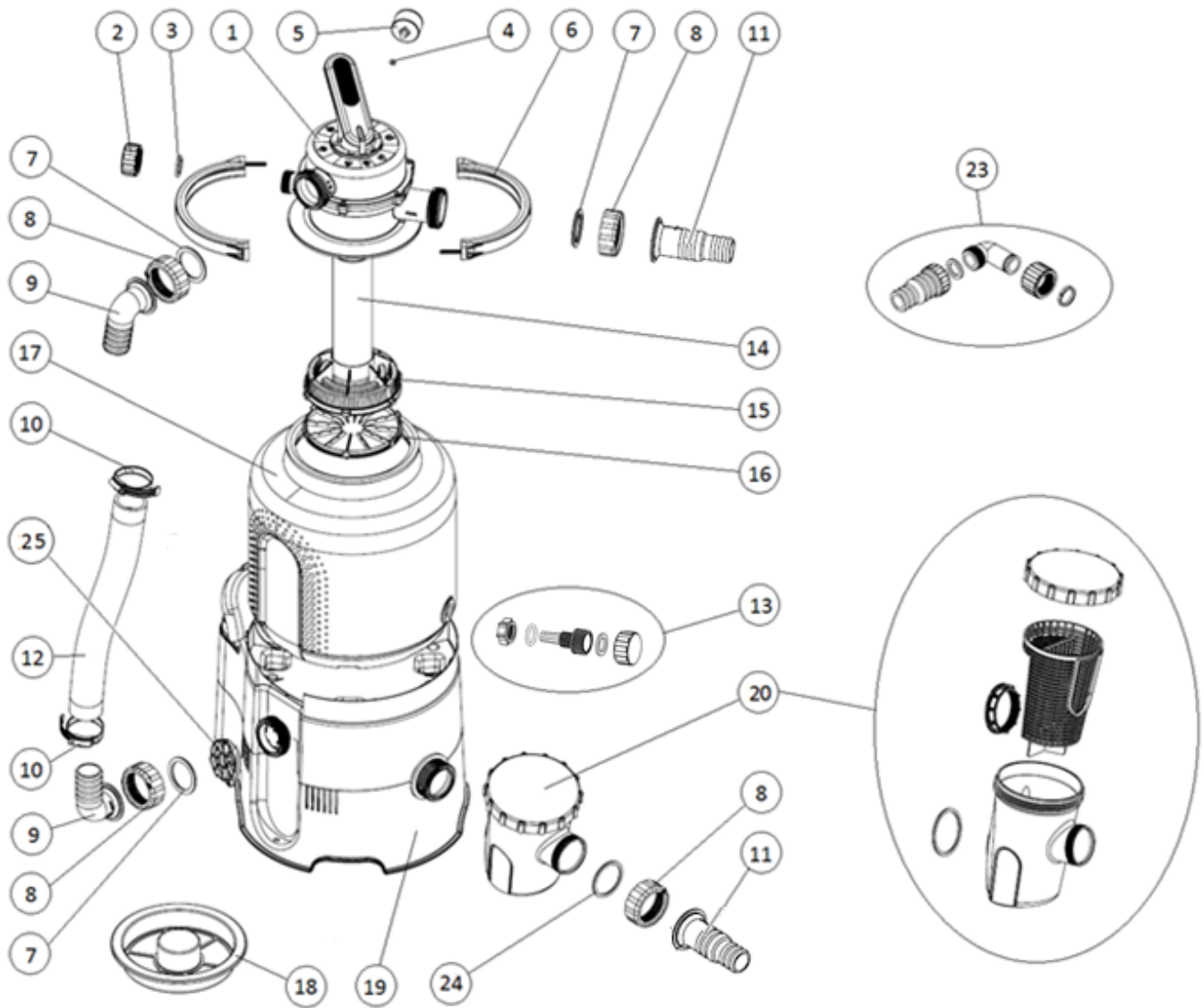
Komponentenverzeichnis – AZURO 4m³/h + Timer



Position	Bezeichnung	Menge
1	Mehrwegeventil	1
2	Stöpsel	1
3	Flache Stopfen-Dichtung	1
4	Flache Manometer-Dichtung	1
5	Manometer	1
6	Ventilfassung 1/2 einschl. Verbindungsmaterial	2
7	Formdichtung – Dorne und Winkelstücke	4
8	Überwurfmutter – Dorne und Winkelstücke	4
9	Winkelstück D38	2
10	Schlauchselle 40-60	2
11	Dorn D32/38	2
12	Verbindungsschlauch	1
13	Ablassverschraubung	1

Position	Bezeichnung	Menge
14	Saugrohr	1
15	Saugkorb	1
16	Saugkorbboden	1
17	Behälter	1
18	Schütte	1
19	Sockel mit Pumpe	1
20	Vorfilter	1
21	Beckenschlauch 3tlg.	2
22	Schlauchselle 25-40	4
23	Ablauf-Set	1
24	Flache Vorfilter-Dichtung	1
25	Teflonband	1
26	Gitter gegen Eindringen von Fremdkörpern	1

Komponentenverzeichnis – AZURO 6m³/h + Timer



Position	Bezeichnung	Menge
1	Mehrwegeventil	1
2	Stöpsel	1
3	Flache Stopfen-Dichtung	1
4	Flache Manometer-Dichtung	1
5	Manometer	1
6	Ventilfassung 1/2 einschl. Verbindungsmaterial	2
7	Formdichtung – Dorne und Winkelstücke	3
8	Überwurfmutter – Dorne und Winkelstücke	4
9	Winkelstück D38	2
10	Schlauchselle 30-45	6
11	Arbour D32/38	2
12	Verbindungsschlauch	1

Position	Bezeichnung	Menge
13	Ablassverschraubung	1
14	Saugrohr	1
15	Saugkorb	1
16	Saugkorbboden	1
17	Behälter	1
18	Schütte	1
19	Sockel mit Pumpe	1
20	Vorfilter	1
21	Beckenschlauch 3tlg.	2
22	Teflonband	1
23	Ablauf-Set	1
24	Flache Vorfilter-Dichtung	1
25	Gitter gegen Eindringen von Fremdkörpern	1

Bestimmung

Dieses Filtergerät dient zur Wasserfiltration im saisonalen Aufstellpool. Es ist nicht für Pools bestimmt, die das ganze Jahr hindurch verwendet werden. Die Pumpe der Filteranlage ist nicht selbstansaugend, daher ist das Filtersystem unterhalb des Wasserspiegels im Becken zu installieren, mit natürlichem Überlauf.

HINWEIS: Die Abbildungen in diesem Handbuch dienen nur zur Veranschaulichung und können vom tatsächlichen Produkt abweichen. Wir behalten uns das Recht vor, das Produkt ohne vorherige Ankündigung ganz oder teilweise zu ändern.

Bedingungen für die Verwendung der Filtereinheit:

- pH-Wert von Wasser 6 - 8,5
- freier Chlorgehalt max. 10 mg/l
- gelöster Salzgehalt max. 0,5%

Vor Inbetriebnahme

Vor Zusammenbau und Inbetriebnahme des Geräts sämtliche Komponenten auspacken.

Auf einen sicheren Abstand zwischen der Filteranlage und Umgebung achten, damit das Gerät bedient werden kann.

Die Filteranlage ist auf einem Untergrund aufzustellen (z.B. eine Betonplatte usw.). Die Platte sollte mit Hilfe der Wasserwaage verlegt und ausgerichtet werden. Das Gerät darf nicht auf dem Rasen stehen, sonst besteht Überhitzungsgefahr.

Das Gerät darf nicht überflutet werden. Eine Überflutung könnte zu Geräteschäden oder Stromschlaggefahr führen.

Wenn das Becken teilweise oder vollständig eingesenkt wurde, muss das Filtergerät in einem mit dem Becken verbundenen Filterschacht angeordnet werden. Wenn Ihr Filtersystem in einen Schacht positioniert wird, stellen Sie sicher, dass der Schacht nicht mit Wasser überflutet werden kann. Um dies zu verhindern, sollte der Schacht teilweise mit Kies verfüllt werden, um kleinere Wasserleckagen aufzunehmen und direkt in die Kanalisation abzuleiten. Es ist für ausreichende Lüftung des Schachts zu sorgen, dieser kann durch Wasserkondensation beschädigt werden.

Erforderliches Zubehör wie andere Schläuche, Schlauchklemmen und Filtersand (nicht im Lieferumfang enthalten) ist beim Händler erhältlich.



Das Filtersystem darf nicht trocken (ohne Wasser) laufen!!! Wird das Filtersystem auf diese Weise verwendet, so verfallen jegliche Gewährleistungsansprüche.

Technische Daten

	AZURO 2m³/h	AZURO 4m³/h AZURO 4m³/h + Timer	AZURO 6m³/h + Timer
Spannung	230 V / 50 Hz	230 V / 50 Hz	230 V / 50 Hz
Leistungsaufnahme	85 W	190 W	250 W
Systemdurchfluss	2 m ³ /h	4 m ³ /h	5,5 m ³ /h
Schutzart	IP X5	IP X5	IP X5
Verdrängung	1,5 m	1,5 m	1,5 m
Filterdurchmesser	143 mm	143 mm	143 mm
Wirksame Filterfläche	0,036 m ²	0,036 m ²	0,036 m ²
Arbeitsdruck	0,2 bar	0,3 bar	0,5 bar
Maximaler Arbeitsdruck	0,4 bar	0,6 bar	1,0 bar
Maximale Wassertemperatur	35 °C	35 °C	35 °C
Sandfüllung	10 kg	14 kg	18 kg
Korngröße	0,6 – 1,2 mm	0,6 – 1,2 mm	0,6 – 1,2 mm



Schützen Sie die Umwelt! Dieses Gerät nicht mit Hausmüll entsorgen. Das Produkt enthält elektrische/elektronische Komponenten. Gemäß der europäischen Richtlinie 2012/19/EU dürfen elektrische und elektronische Geräte nach Ablauf ihrer Lebensdauer nicht mit dem Hausmüll entsorgt werden, sondern müssen an die dafür vorgesehenen Sammelstellen zur umweltgerechten Entsorgung abgegeben werden. Informationen zu diesen Sammelstellen erhalten Sie vom Gemeindeamt.

Zusammenbau

Anmerkung: Da alle Verbindungen mit Dichtungen versehen sind, müssen die Muttern nicht so stark angezogen werden. Dies könnte zur Beschädigung von Kunststoffteilen führen.

Anmerkung: Zum Zusammenbau wird ein Kreuzschlitz- oder Schlitzschraubenzieher benötigt.

1. Einbau der Ablassverschraubung in den Behälter

Das Ablassteil mit dem Gewinde mit aufgesetztem O-Ring (**Abb. 1.1**) durch die Ablassöffnung des Behälters führen. Das Teil im Inneren des Behälters mit einer Überwurfmutter sichern (**Abb. 1.2**). Die Verbindung fest anziehen, damit diese vollständig abgedichtet ist und damit sie beim Ausbau des Verschlussstopfens während des Betriebs der Filteranlage nicht gelöst werden kann. Auf das Außengewinde ist der Stopfen mit Flachdichtung aufzuschrauben (**Abb. 1.3**). Es reicht aus, die Verbindungen mit Händen festzuziehen. Bei Verwendung einer Zange können die Teile beschädigt werden.

1.A Bei dem 10-Liter-Behälter mit einem Ablassstutzen ist wie folgt vorzugehen:

Auf den Stutzen mit dem Gewinde ist der Stopfen mit einer Dichtung aufzuschrauben (**Abb. 1.5**). Es reicht aus, die Verbindungen mit Händen festzuziehen. Bei Verwendung einer Zange können die Teile beschädigt werden.

2. Zusammenbau des Saugkorbs

In den Saugkorb ist das Saugrohr einzusetzen (**Abb. 2.1**). Die ganze Einheit ist in einen leeren Behälter einzulegen (**Abb. 2.2**), die Position der Einheit wird durch das Aufsetzen der Schütte fixiert (**Abb. 2.3**). Nun kann der Behälter mit Sand befüllt werden.

3. Sand befüllen

Es wird empfohlen, den Behälter vor dem Befüllen auf den Sockel mit der Pumpe zu stellen. Ein voller Behälter ist nur schwer zu handhaben. Die Seitenaussparungen im Behälter müssen mit den Aussparungen im Sockel fluchten, die Ablassverschraubung muss weg von dem Schalter gerichtet werden (**Abb. 3.1**).

Den Behälter mit der aufgesetzten Schütte mit benötigter Menge an Sand befüllen (**Abb. 3.2**). Der Sandspiegel im Behälter sollte den ganz oberen Bereich der Seitenaussparungen (**Abb 3.3**) erreichen. Nun ist die Schütte zu entnehmen und von der Dichtfläche des Behälterstutzens sind Sandkörner, ggf. andere Verunreinigungen zu entfernen.

4. Montage des Mehrwegeventils

Von der Ventilunterseite eine O-Ring-Dichtung aufsetzen und auf den Stutzen eines gefüllten Behälters setzen. Das Ventil so drehen, dass sein Stutzen „PUMP / PUMP“ genauso ausgerichtet ist wie der Pumpenausstritt im Behältersockel. Anschließend auf die Bestückung des Behälters und Ventils die beiden Hälften der Fassung aufsetzen, die Schrauben (**Abb. 4.3**) verbinden und gleichmäßig anziehen.

In die Manometer-Öffnung ist eine kleine Gummidichtung einzulegen, das Manometergehäuse ist aufzuschrauben (**Abb. 4.1**) und mit der Hand leicht anzuziehen.

!!! Achten Sie bitte auf ein korrektes Aufschrauben, das feine Gewinde kann beschädigt werden

!!! Auf den Stutzen WASTE / ABLAUF ist der Stopfen mit einer Dichtung aufzuschrauben (Abb. 4.2).

5. Montage des Verbindungsschlauchs

Spannschellen auf den Schlauch aufschieben, in die beiden Schlauchenden Winkelstücke zusammen mit Überwurfmuttern einstecken (**Abb. 5.1**). Das Gitter gegen Eindringen von festen Partikeln (**Abb. 5.2**) in den Seitenaustritt der Pumpe einlegen, danach an diesen Austritt und an den Ventilstutzen PUMP / PUMP den vorbereiteten Schlauch mit Hilfe der Überwurfmutter und Dichtungen anschließen (**Abb. 5.3**).

!!! Die Schlauchschellen erst anziehen, wenn die Überwurfmuttern angezogen wurden !!!

6. Montage – Vorfilter und Dorne

Den transparenten Vorfilter an den Saugstutzen der Pumpe montieren, an den Vorfilter dann den Anschluss-Schlauchdorn montieren (**Abb. 6.1**).

!!! Achten Sie auf die Form der eingesetzten Dichtung !!!

6.A Bei der Filteranlage Azuro 6m³/h + Timer mit einem großen Vorfilter ist wie folgt vorzugehen:

Das Vorfilter-Gehäuse zusammen mit der Dichtung auf den Stutzen der Pumpe aufschieben und mit einer Überwurfmutter innerhalb des Vorfilters befestigen, den Auffangkorb in den Vorfilter einlegen und mit dem

Deckel mit einem O-Ring verschließen. Das Winkelstück mit einer Dichtung mit Hilfe einer Überwurfmutter auf den Stutzen montieren (**Abb. 6.2**).

!!! Achten Sie auf die Form der eingesetzten Dichtung !!!

Auf den Ventilstutzen POOL / SCHWIMMBECKEN den jeweils zweiten Anschluss-Schlauchdorn (**Abb. 6.3**)/das Winkelstück (**Abb. 6.4**) aufschrauben.

7. Die Anlage ans Schwimmbecken anschließen – siehe **Abb. 7.1, Abb. 7.2**

Die Anlage mit geeigneten Schwimmbecken-Schläuchen und Schlauchschellen mit dem Schwimmbecken verbinden.

Anlagenbetrieb

1. Wasser in die Pumpe einlassen/Pumpe entlüften

Den Stöpsel des Stutzens „ABLAUF / WASTE“ (**Abb. 8.1**) entfernen, den Ventilhebel in die Stellung ENTLÜFTUNG bringen und abwarten, bis Wasser aus dem Stutzen läuft (**Abb. 8.2**). Danach den Ventilhebel in die Stellung GESCHLOSSEN bringen und den Stöpsel wieder aufschrauben. Abschließend den Ventilhebel in die Stellung FILTRATION bringen. Nun kann die Filteranlage in Betrieb genommen werden.

Vor dem ersten Einsatz oder nach einem Austausch der Sandfüllung ist der Sand zuerst durchzuspülen.

2. Einschalten

Die Anlage mit einem Wippenschalter im Hinterteil der Filteranlage in Betrieb setzen. EIN – **ABB. 9.1**

AUS – **ABB. 9.2**



Die Ventilstellung vor dem Anschluss der Anlage ans Netz prüfen!

Die Anlage niemals einschalten, wenn sich das 6-Wege-Ventil in der Stellung GESCHLOSSEN befindet oder wenn die Rohrleitung im Umlaufsystem verstopft ist.

2.A Die Azuro Filteranlagen mit der Bezeichnung „T“ sind mit einem einstellbaren Timer ausgestattet (Abb. 9.3**):** Die gewünschte Funktion mit einem Schiebeschalter wählen. Der Timer kann in 20-Minuten-Intervallen in einem 24-Stunden-Zyklus eingestellt werden. Ein Anschlag entspricht 20 Minuten, d.h. 3 Anschläge = 1 Stunde. Die LED-Kontrollleuchte zeigt an, dass die Anlage läuft.

3. Verwendung

Das Ventil in die Stellung FILTRATION bringen und die Anlage einschalten. Den Durchfluss durch die Filteranlage (Druck am Manometer) regelmäßig prüfen und auf Grund der ermittelten Werte den Sand durchspülen.

Es ist ratsam, einen Zeitplan der Filtration in Bezug auf die Schwimmbeckengröße und seine Nutzung zu erstellen. Für eine korrekte Filtration ist es notwendig, dass Wasser im Schwimmbecken mindestens einmal pro Tag vollständig gefiltert wird. Die Mindestlaufzeit der Filtration ist somit der Quotient des Schwimmbeckenvolumens und Filteranlage-Durchflusses.

Beispiel: Für ein Schwimmbecken mit einem Wasservolumen von 10 m³ und die AZURO 2m³/hr Filteranlage mit einem Durchfluss von 2 m³/h beträgt der Quotient 5 Stunden.

4. Vorfilterreinigung

Bei einer sichtbaren Verschmutzung, ggf. Einschränkung der Funktion der Filteranlage ist der Vorfilter mit einem Wasserstrahl zu reinigen (**Abb. 10.1**). Bei der AZURO 6m³/h + Timer Filteranlage ist der innere Filterkorb durchzuspülen (**Abb. 10.2**).

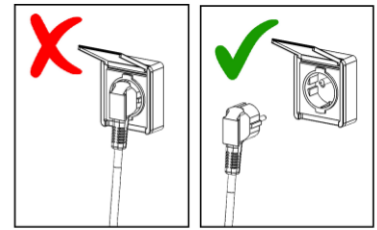
5. Sand rückspülen

Nach dem Druck im Behälter lässt sich erkennen, wann das Filtermedium durchzuspülen ist. Nach dem ersten Einschalten mit sauberem Filtersand ist der Druckwert zu merken; sollte sich der Druckwert um mehr als eine Einheit der Skala erhöhen, sind eine RÜCKSPÜLEN (2–3 Minuten) + NACHSPÜLEN (ca. 30 Sekunden) durchzuführen, siehe „**Einzelne Ventilstellungen**“. Beim täglichen Filtern wird es empfohlen, den Sand wenigstens einmal pro Woche durchzuspülen.

Für Funktionen der Filteranlage wie RÜCKSPÜLEN, NACHSPÜLEN und ENTLEREN kann das Ablauf-Set verwendet werden – auf den Austritt-Stutzen „ABLAUF / WASTE“ statt des Stöpsels direkt den Dorn, ggf. ein Winkelstück mit einem Dorn für den Ablaufschlauch aufschrauben.

BEIM ABLASSEN VON WASSER AUS DEM STUTZEN „ABLAUF / WASTE“ IST DAFÜR SORGE ZU TRAGEN, DASS ALLE GESETZLICHEN ANFORDERUNGEN ZUM UMGANG MIT ABWASSER EINGEHALTEN WERDEN. WASSER NICHT IN STELLEN AUSLAUFEN LASSEN, WO SCHÄDEN DURCH ÜBERFLUTUNG ENTSTEHEN KÖNNEN. DER STUTZEN „ABLAUF / WASTE“ KANN MIT EINER VERSCHRAUBUNG FÜR ANSCHLUSS EINES ABLAUFSCHLAUCHS VERSEHEN WERDEN. WÄHREND DER FILTRATION SOLLTE DER STUTZEN „ABLAUF / WASTE“ MIT EINEM STÖPSEL VERSCHLOSSEN SEIN.

Bedienung des Mehrwegeventils



Vor einer Änderung der Ventilstellung ist die Anlage vom Stromnetz zu trennen.

Nach dem Abschalten der Pumpe ca. eine halbe Minute warten, erst dann mit der Handhabung beginnen - Schmutz und Sand setzen sich mittlerweile ab.

Den Hebel nach unten drücken (**Abb. 12.1**), in die gewünschte Stellung drehen (**Abb. 12.2**).

Pflege

Sichtbarer Schmutz wird mit dem Filtersystem entfernt. Dies gilt jedoch nicht für Algen, Bakterien und Mikroorganismen, die ein ständiges Hindernis für ein sauberes und gesundheitlich unbedenkliches Wasser im Pool darstellen. Für die Vorbeugung stehen viele spezielle Produkte zur Verfügung, die in der richtigen Konzentration dauerhaft gegen die oben genannten Gefahren Ihres Pools wirken und das Wasser hygienisch unbedenklich und sauber halten.

Wartung

Der Anlagenbetrieb ist während der Badesaison regelmäßig zu prüfen. Es ist wichtig, um eine eventuelle Störung rechtzeitig zu erkennen und diese dann möglichst schnell zu beheben. Der Lieferant übernimmt keinerlei Haftung für Folgeschäden durch eine Störung der Filtereinheit oder Elektroinstallation.

Der Sand ist regelmäßig durchzuspülen. Kommt es nicht einmal nach der Durchspülung zu einer Verbesserung der Durchlässigkeit des Filtersands, d.h. der Druckwert am Manometer bleibt auch nach der Durchspülung hoch, ist der Sand zu wechseln.

Weder den Filterdeckel noch den eigentlichen Filterbehälter mit einem Lösungsmittel reinigen, die Oberfläche könnte dadurch beschädigt werden (Glanz-, Transparenzverlust u.ä.).

Winterfestmachung

Am Ende der Saison muss das Filtersystem gereinigt, geleert, demontiert und gelagert werden. Die Filteranlage von dem Schwimmbecken trennen und über das Ablassventil, das im unteren Teil des Filterbehälters angeordnet ist, Wasser aus dem Behälter ablassen.

Die Filterwanne öffnen und Sand entfernen. Sand reinigen und Konglomerate oder Klumpen entfernen. Den Sand in der Wanne regelmäßig ersetzen.

Das Filtersystem wieder zusammenbauen und für den Winter in einen frostsicheren und trockenen Raum stellen. Den Ventilhebel in die Zwischenstellung ENTLÜFTUNG / WINTERFESTMACHUNG bringen, die bei der Winterfestmachung der Filteranlage verwendet wird.

Garantiebedingungen und Service

Die Garantiebedingungen gelten wie im Garantieschein des Händlers beschrieben.

Sollten Sie einen Rat benötigen, den Service gewährleisten oder ein Ersatzteil kaufen wollen, wenden Sie sich an Ihren Händler. Bei der Wartung und bei Instandsetzungen verwenden Sie Original-Ersatzteile.

Produktprüfungen

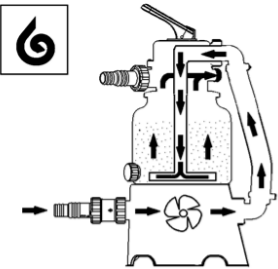
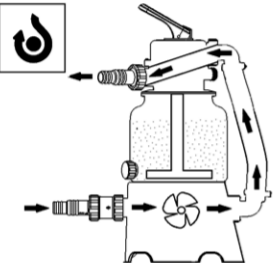
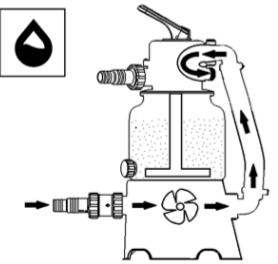
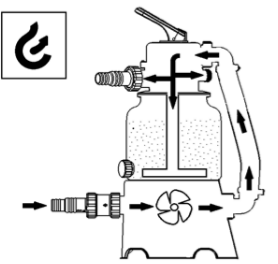
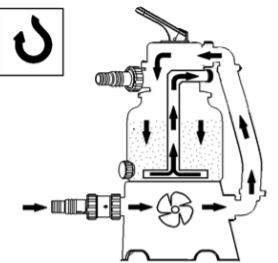
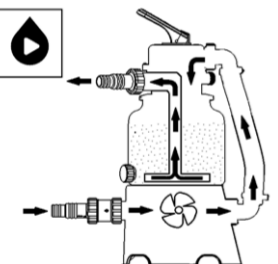
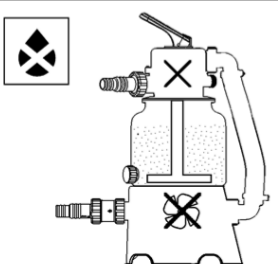
Auf das Produkt bezieht sich die Norm EN 60335-2-41, des Weiteren ist dieses mit Anforderungen der Richtlinien 2006/42/EG (Maschinenrichtlinie), 2014/30/EU (EMV), 2014/35/EU (Niederspannungsrichtlinie) und mit Anforderungen der RoHS-Richtlinie bezüglich Gehalt an gefährlichen Stoffen in Elektro- und Elektronikgeräten konform.

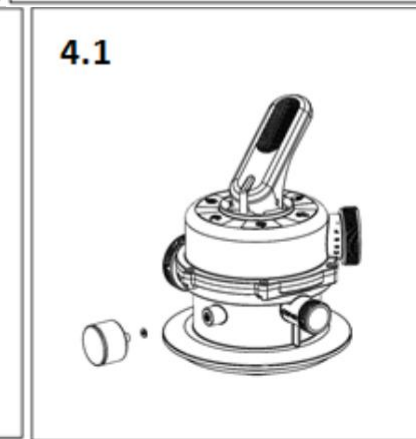
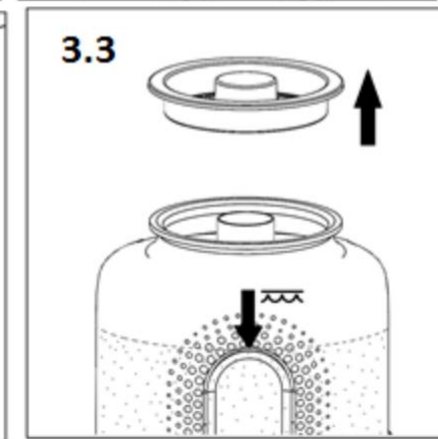
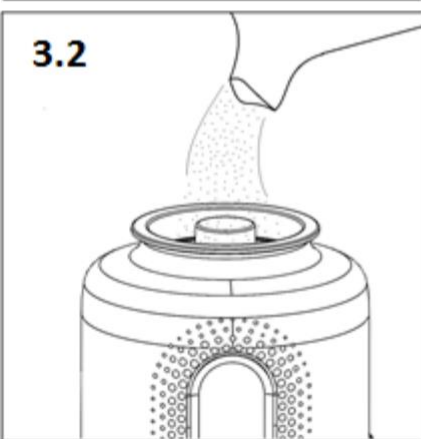
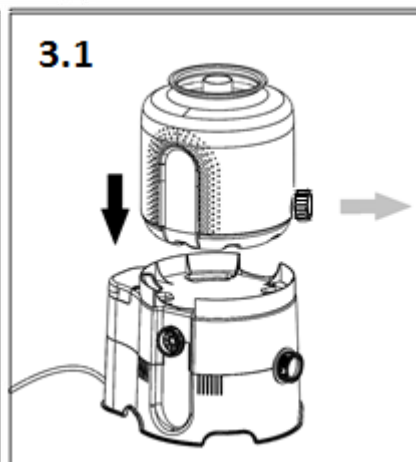
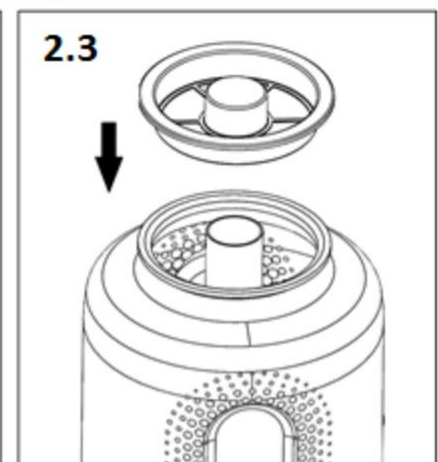
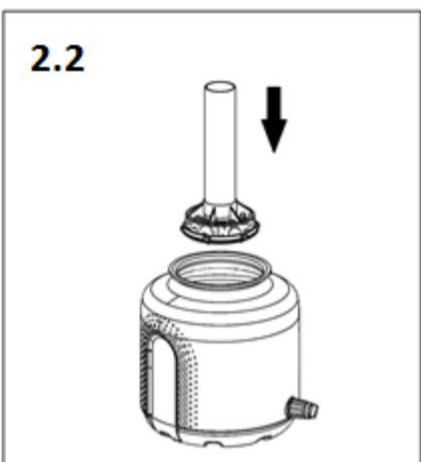
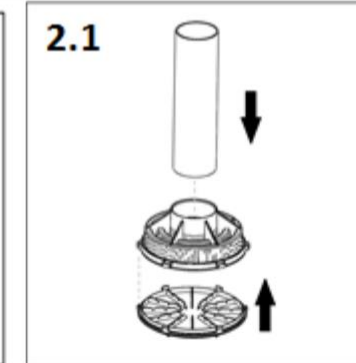
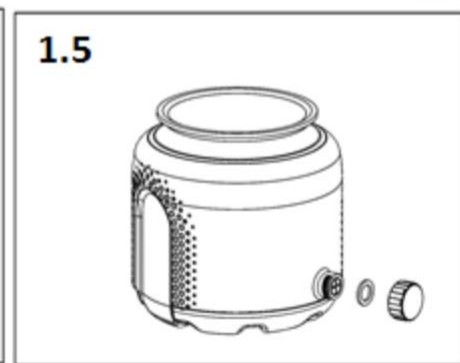
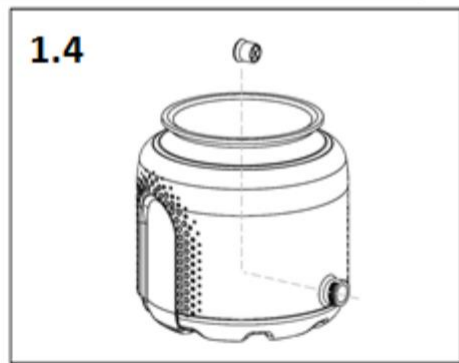
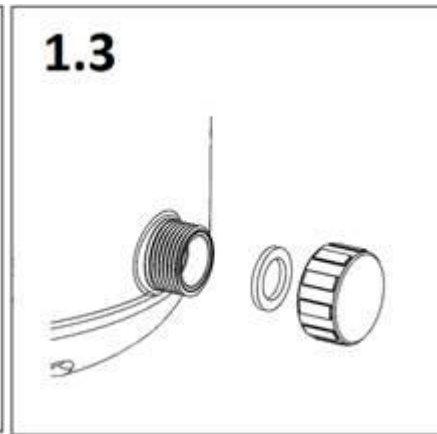
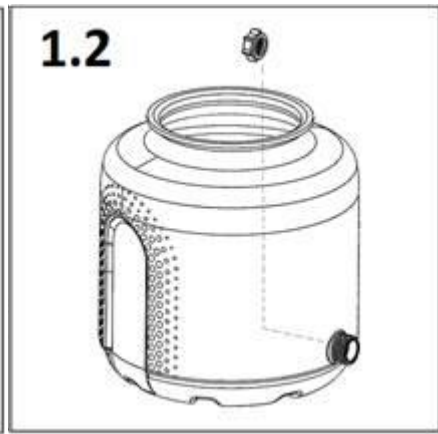
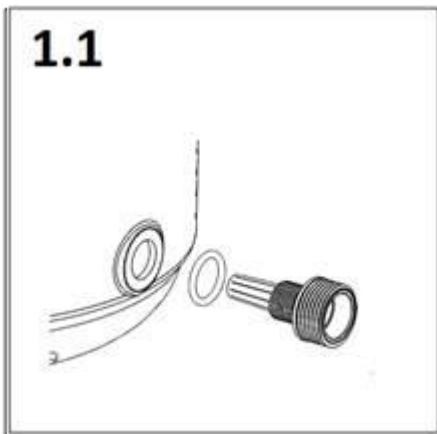
Das Produkt wurde in Státní zkušebna strojů a.s. geprüft.

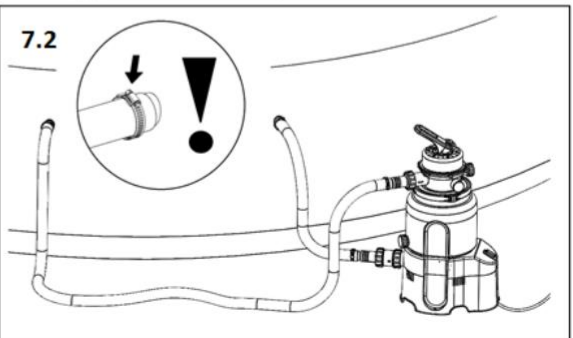
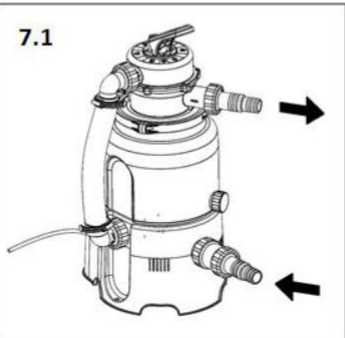
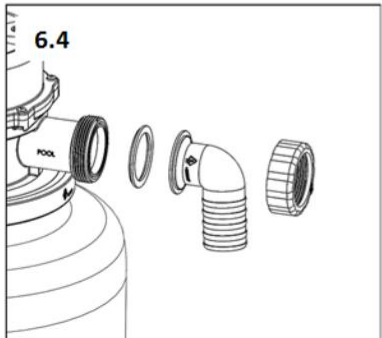
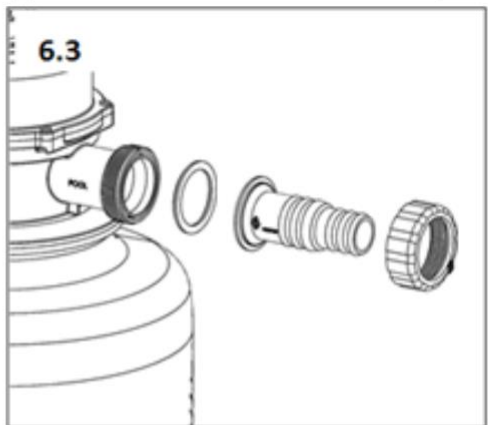
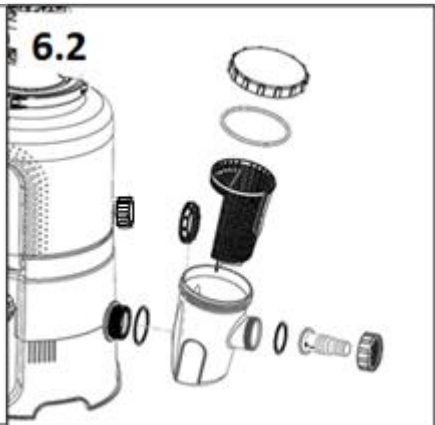
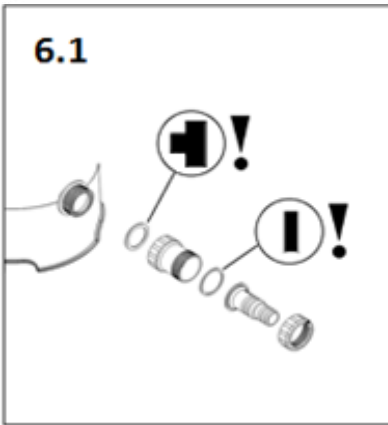
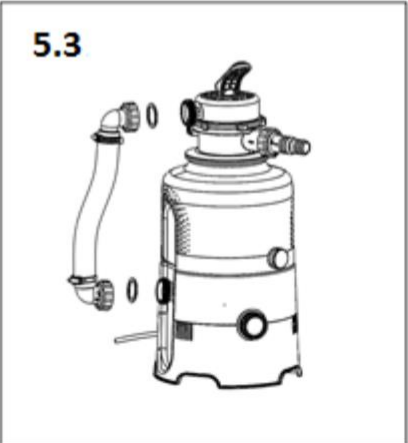
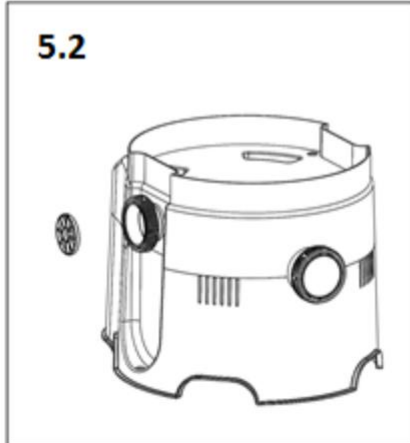
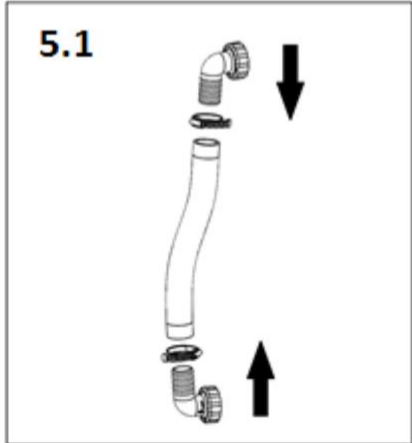
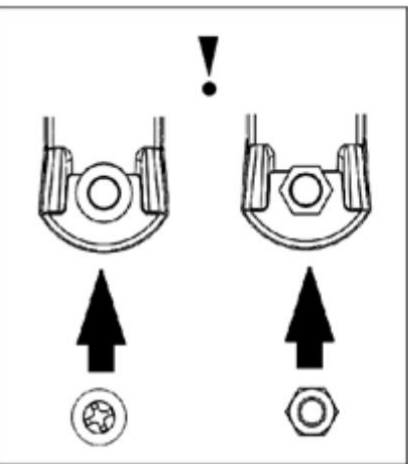
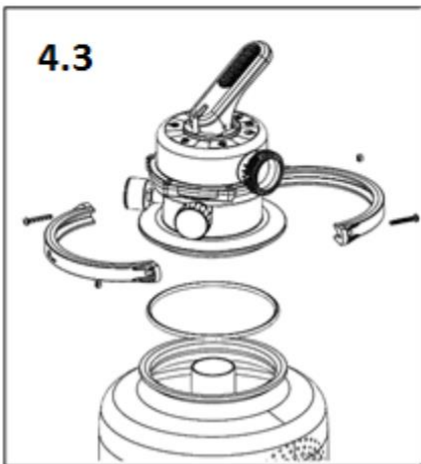
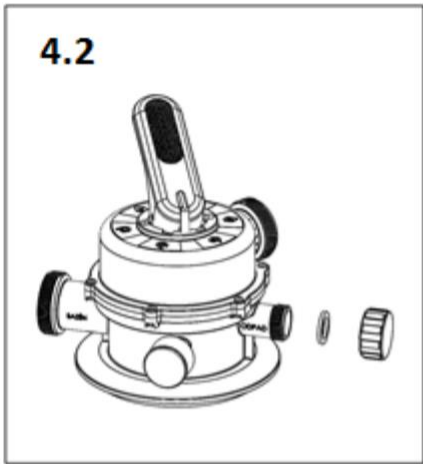
Problemlösung

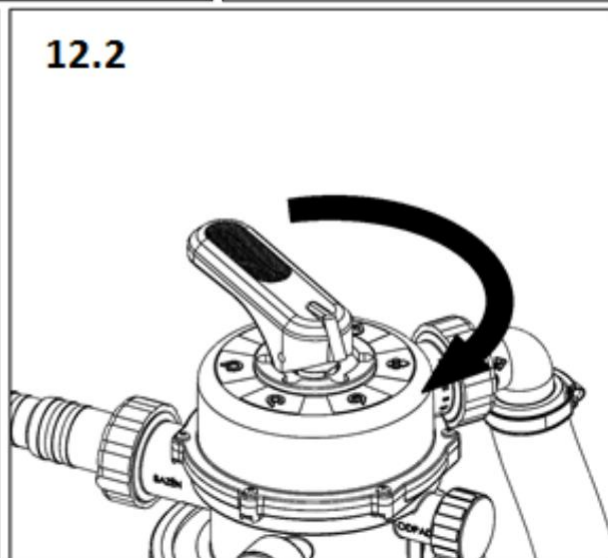
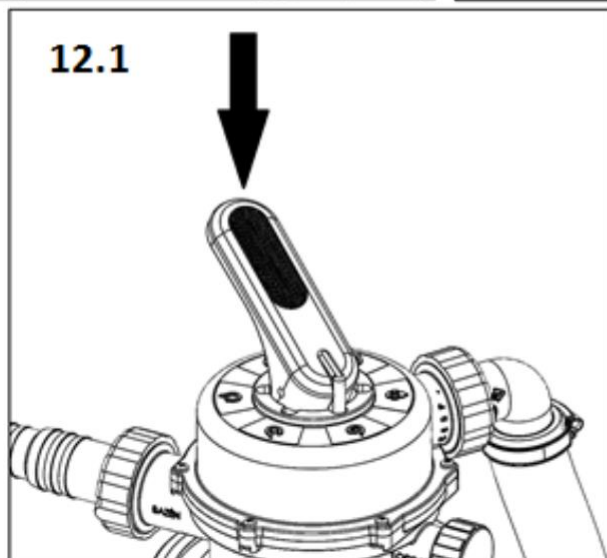
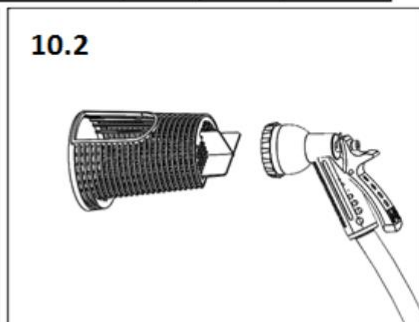
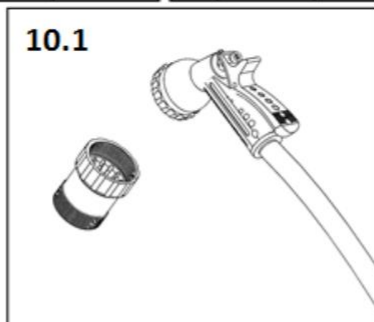
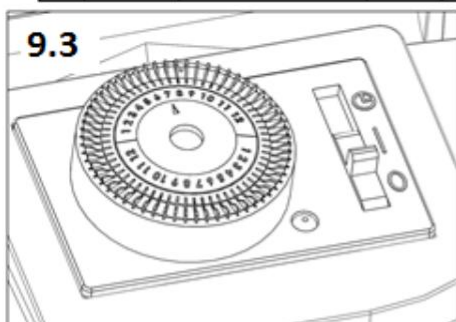
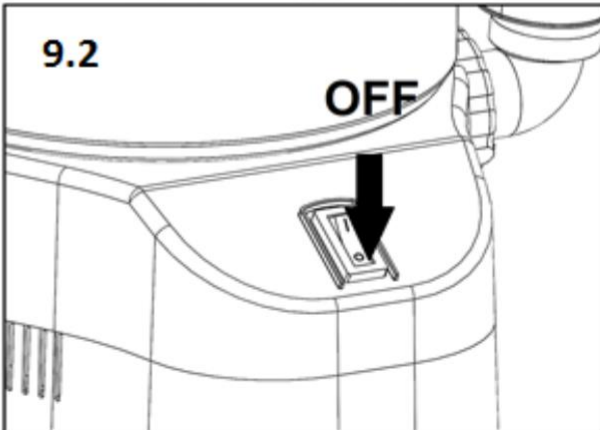
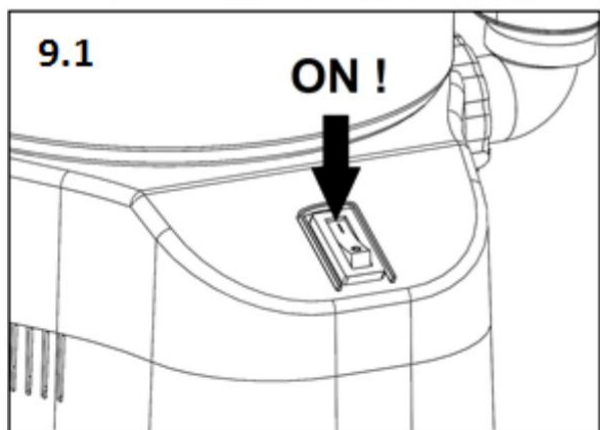
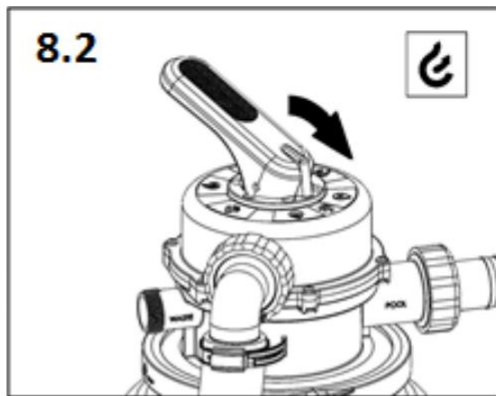
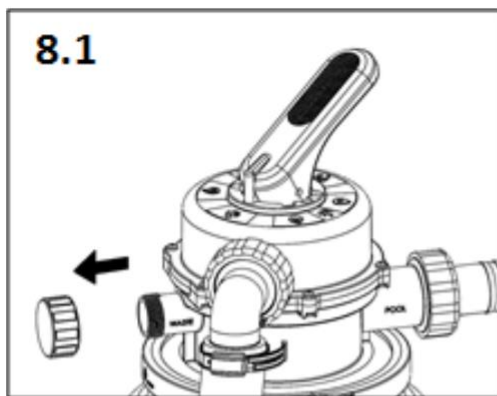
Durchfluss zu gering oder fehlt	Filteranlage wurde nicht entlüftet	Filteranlage entlüften
	Ventilhebel in der Stellung GESCHLOSSEN	In die Stellung FILTRATION drehen
	Zu verschmutzter Sand	DURCHSPÜLEN oder Sand wechseln
	Vorfilter verstopft	Vorfilter ausbauen und durchspülen
	Skimmer verstopft	Skimmerkorb ausbauen und durchspülen
	Filteranlage beschädigt	Kontakt mit Service aufnehmen
Sand gelangt ins Schwimmbad	Bedienung des Ventilhebels bei eingeschalteter Filteranlage	Vor Bedienung des Hebels die Filteranlage ausschalten
	Filtersand-Korngröße zu gering	Empfohlene Korngröße beträgt 0,6–1,2 mm
	Sand-Füllstand im Behälter zu hoch	Sandmenge im Behälter reduzieren
Pumpe saugt Luft an (im System zirkulieren Blasen)	Ungenügend angezogene Verbindungen	Überwurfmuttern vorsichtig anziehen
	Leckage an Vorfilter-Verbindungen	Verbindungen mit neuen Dichtungen versehen
	Beschädigte Dichtung	Dichtung in Verbindungen „vor“ der Pumpe prüfen
Wasserleckage aus der Anlage	Undichte Verbindung	Verbindungen anziehen/mit neuen Dichtungen versehen
	Beschädigte Dichtung	Dichtung prüfen
Wasser im Schwimmbecken kann nicht gereinigt werden	Unzureichende chemische Wasserbehandlung	pH-Wert und Chlorgehalt im Wasser prüfen
	Unzureichende Filterzeit	Filterzeit verlängern

Einzelne Ventilstellungen

	<p>RÜCKSPÜLEN – Wasser strömt durch die Sandfüllung in entgegengesetzter Richtung, wodurch Verschmutzungen ausgeschwemmt werden, Wasser strömt nicht zurück ins Schwimmbecken, es läuft aus dem Stutzen „ABLAUF“ – den Stöpsel entfernen!</p>
	<p>ZIRKULIEREN – Wasser strömt durch die Anlage, jedoch nicht durch die Sandfüllung.</p>
	<p>ENTLEEREN – Wasser strömt nicht durch die Sandfüllung, sondern in den Stutzen „ABLAUF“ – den Stöpsel entfernen! Die Stellung dient zur Senkung des Wasserspiegels im Schwimmbecken, ggf. zum Saugen von groben Verschmutzungen.</p>
	<p>ENTLÜFTUNG / WINTERFESTMACHUNG – in dieser Stellung ist das Ventil in allen Richtungen durchgängig, die entweichende Luft ermöglicht eine spontane Überflutung der Pumpenkammer. Die Stellung kommt auch bei der Winterfestmachung, ggf. bei einer längeren Stilllegung der Filteranlage zum Einsatz.</p>
	<p>NACHSPÜLEN – die Stellung kommt beim ersten Einschalten mit einer neuen Sandfüllung oder nach einer „RÜCKSPÜLEN“ zum Einsatz, der aufgewirbelte Sand setzt sich ab und eventuell vorhandene Reste der Verschmutzungen werden durch den Stutzen „ABLAUF“ ausgespült – den Stöpsel entfernen!</p>
	<p>FILTRATION – primäre Ventilstellung, Wasser wird über die Sandfüllung gefiltert und strömt zurück ins Schwimmbecken.</p>
	<p>GESCHLOSSEN – die Anlage nicht einschalten!</p>







Load QR code for language versions EN, DE, ES, RU, IT, HU

QR-Code laden für Sprachversionen EN, DE, ES, RU, IT, HU

ES Manual de instalación, montaje y funcionamiento

RU Руководство по установке, сборке и эксплуатации

IT Manuale di installazione, montaggio e funzionamento

HU Telepítési, szerelési és üzemeltetési kézikönyv

