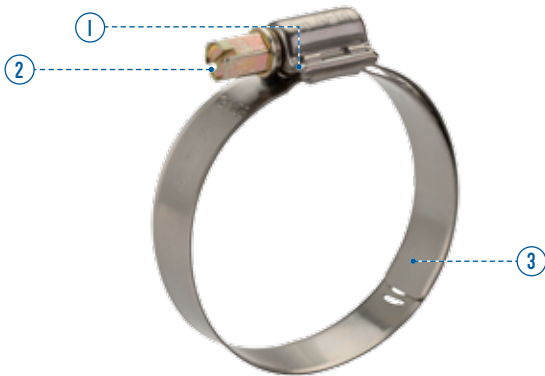


BREEZE AERO BG/BGV[®]



- ① **High-strength Quadra-Lock housing construction**
- ② **8mm hexagonal slotted screw**
- ③ **Lined band protects hose from damage**

The strong clamp for every situation

The Breeze Aero BG is the clamp of choice for applications that require a bit more power than the standard. It was designed to seal high pressure connections transporting air, water or hydraulic medias. The BGV offers an innovative quick-latch solution for a

much faster mounting of the clamp. An integral extension of the band as an inner liner protects soft-surface hose (silicone and others) from damage caused by extrusion or shearing through the band slots.

Advantages at a glance

- High performance
- Quick-latch closure available
- Inner liner which protects all types of hoses from damage
- SAE Standard J1508 Type F

Materials



*Classified by corrosion resistance. Band material S40/Screw material S10. According to DIN norm it is comparable to W2

Typical applications

- Industrial
- Passenger vehicle
- Commercial vehicle
- Air and water lines
- Hydraulic lines

Type of bands housing and screw

Breeze Aero BG

- Hexagonal slotted screw permits use of various installation tools.

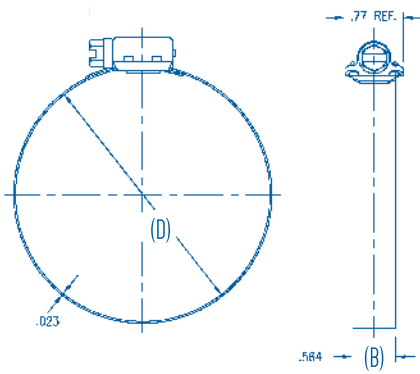


Breeze Aero BGV

The quick-latch closing mechanism enables a much faster installation by opening the connection between screw and band.



Dimensions



Specifications

BREEZE AERO BG			
Width (B mm)	Clamping ranges (D mm)	Clamping ranges (D in.)	S10 Product No. Carbon screw
14.3	12-22	1/2-7/8	0362 7000 017
	16-27	5/8-1 1/16	0362 7000 022
	20-32	3/4-1 1/4	0362 7000 026
	25-40	1-1 9/16	0362 7000 033
	30-45	1 3/16-1 3/4	0362 7000 038
	35-50	1 3/8-2	0362 7000 043
	40-60	1 9/16-2 3/8	0362 7000 050
	50-70	2-2 3/4	0362 7000 060
	60-80	2 3/8-3 1/8	0362 7000 070
	70-90	2 3/4-3 9/16	0362 7000 080
	80-100	3 1/8-4	0362 7000 090
	90-110	3 1/2-4 3/8	0362 7000 100
	100-120	4-4 3/4	0362 7000 110
	110-130	4 3/8-5 1/8	0362 7000 120
	120-140	4 3/4-5 1/2	0362 7000 130
	130-150	5 1/8-5 7/8	0362 7000 140
140-160	5 1/2-6 1/4	0362 6000 150	

BREEZE AERO BGV				
Width (B mm)	Clamping ranges (D mm)	Clamping ranges (D in.)	S10 Product No. Carbon screw	S40 Product No. 304 Stainless screw
14.3	25-40	1-1 9/16	0362 7001 033	0362 7010 033
	30-45	1 3/16-1 3/4	0362 7001 038	0362 7010 038
	35-50	1 3/8-2	0362 7001 043	0362 7010 043
	40-60	1 9/16-2 3/8	0362 7001 050	0362 7010 050
	50-70	2-2 3/4	0362 7001 060	0362 7010 060
	60-80	2 3/8-3 1/8	0362 7001 070	0362 7010 070
	70-90	2 3/4-3 9/16	0362 7001 080	0362 7010 080
	80-100	3 1/8-4	0362 7001 090	0362 7010 090
	90-110	3 1/2-4 3/8	0362 7001 100	0362 7010 100
	100-120	4-4 3/4	0362 7001 110	0362 7010 110
	110-130	4 3/8-5 1/8	0362 7001 120	0362 7010 120
	120-140	4 3/4-5 1/2	0362 7001 130	0362 7010 130
	130-150	5 1/8-5 7/8	0362 7001 140	0362 7010 140
	140-160	5 1/2-6 1/4	0362 6001 150	0362 6010 150