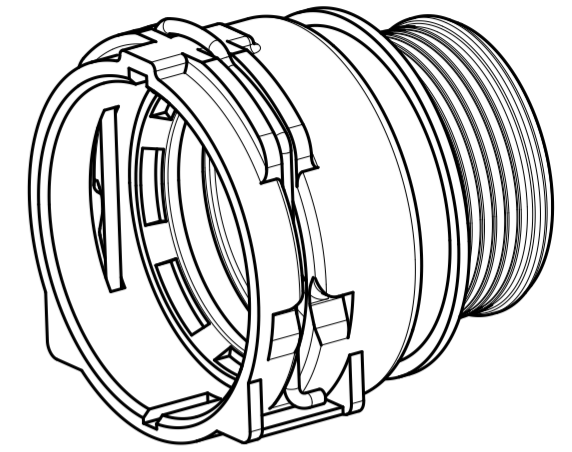
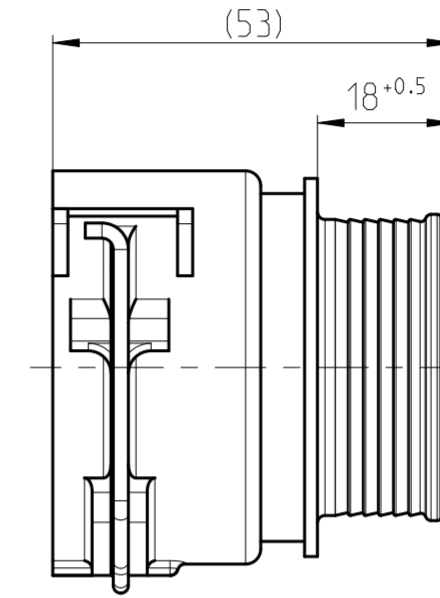
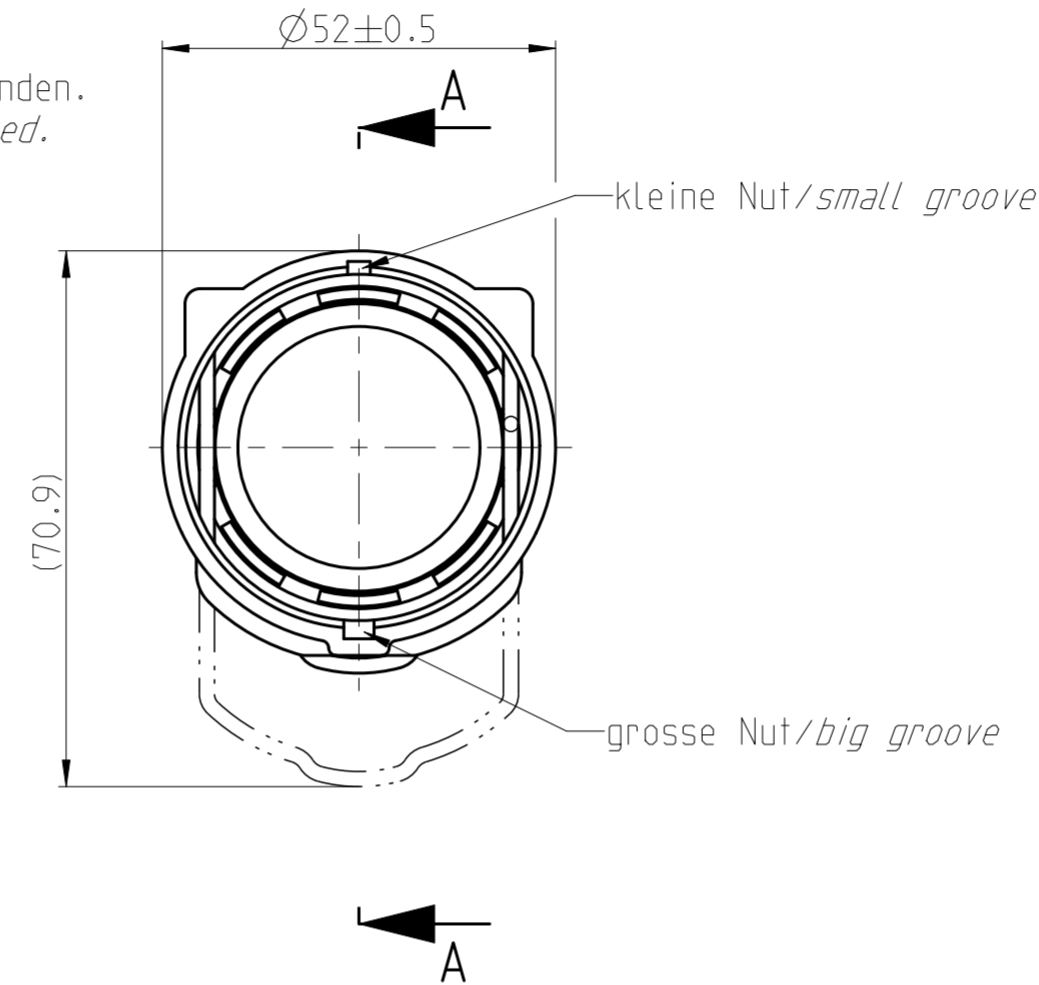
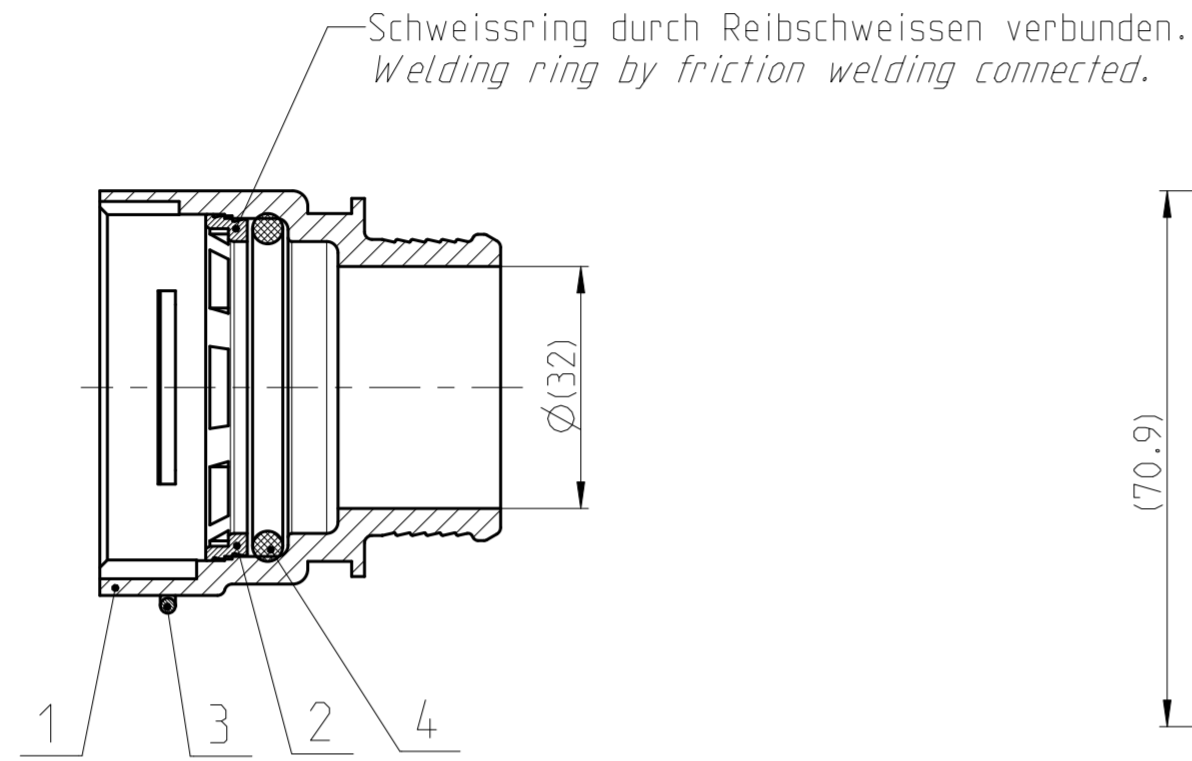


QUOTATION DRAWING

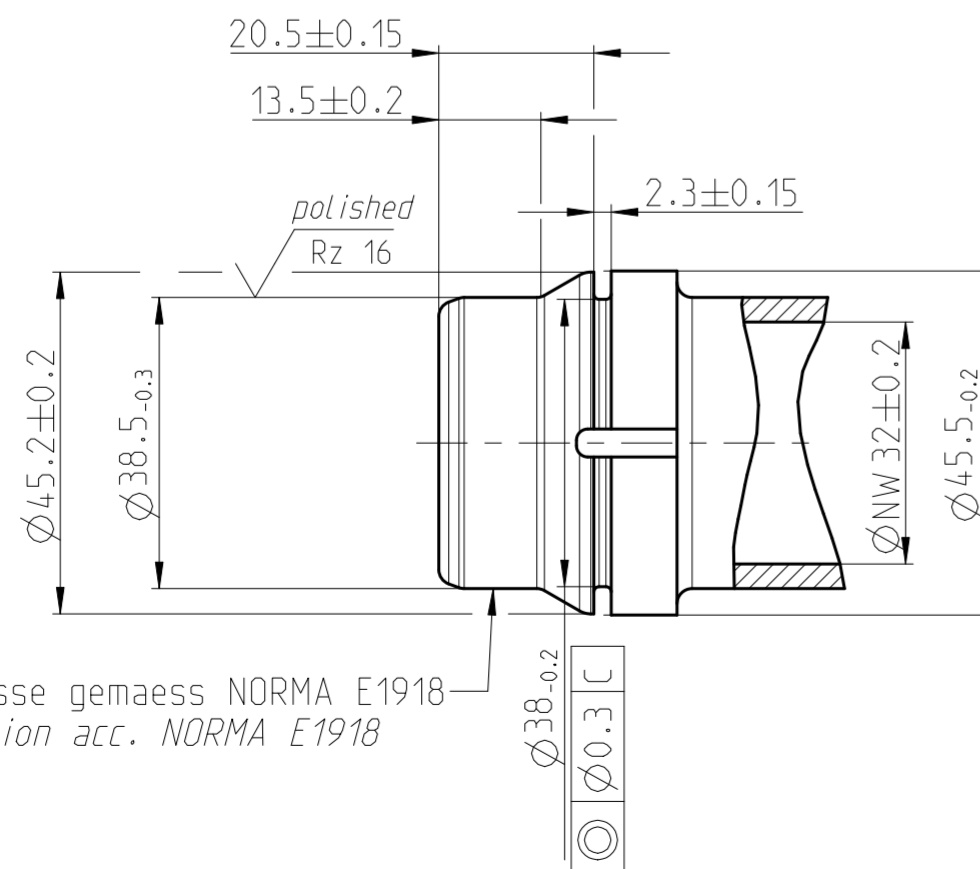
Teil-Nr ITEM-NO	Stueck QTY	Benennung PART - NAME	Werkstoff MATERIAL	Oberflaeche SURFACE
1	1	Housing NW 32-0*	PA66-GF30	black
2	1	Weld ring NW 32	PA66-GF30	black
3	1	Locking bail NW 32	EN 10270-3-1.4310-NS-2.0	black
4	1	O-RING 38.0 X 4.0	EPDM	black

SCHNITT/SECTION A-A



MASSTAB/SCALE 1:1

Ansicht Stutzen/View spigot
MASSTAB/SCALE 1:1



Nicht angegebene Masse gemaess NORMA E1918
Not specified dimension acc. NORMA E1918

Performance features for NQ PS3 - VDA	
Medium	coolant water
Operation temperature	-40°C thru 135°C, short-term up to 150°C (max. 30 min. over Lifetime)
Operation pressure	0 to 2 bar, partial pulsating (sinusoidal)

NORMAQUICK - ASSEMBLY MARKING	
Customer part-No.:	-
Trademark:	-
Manufacturer code:	NORMA-RSS
NORMA date code:	XX YY
Material code molding part:	>PA66-GF30<

INDEX PART	DWG	QTY	REVISION SUMMARY	CHANGE-NO	DATE	DRAWN	CHECKED
-	-	-	-	-	-	-	-
-	-	-	-	-	-	-	-
B	1		Pos.3 locking bail surface corrected was blank		2018-10-31	Avunoori	Stach
A	-		Drawing updated		2016-07-25	Sajdak	Stach

1st ANGLE PROJECTION	ACCORDING TO:	PART NAME:
	SCALE: 1:1 DATE: 2016-07-05 DRAWN: Sajdak MM CHECKED: 2016-07-05 Stach	NORMAQUICK PS3 NW 32-0° anti rotation feature turned 180°

PROJECT-NO.:	NORMA Germany GmbH	CUSTOMER:	CUSTOMER-NO.:
9900015940	Postfach 1149 63461 Maintal	-	-

CAD-SYSTEM:	(C) COPYRIGHT NORMA GROUP	NORMA-NO.:	PART INDEX	DWG	TYPE	FORMAT	SHEET
Creo 3.0 M140	DIN ISO 16016	0702 8035 032	-	B	Q	A2	1/1

DRAWING-NAME.: 07028035032_Q

GENERAL TOLERANCE:	-
FORM AND POS. TOL.:	DIN ISO 2768
DEVIATION FOR ANGLE:	±2°