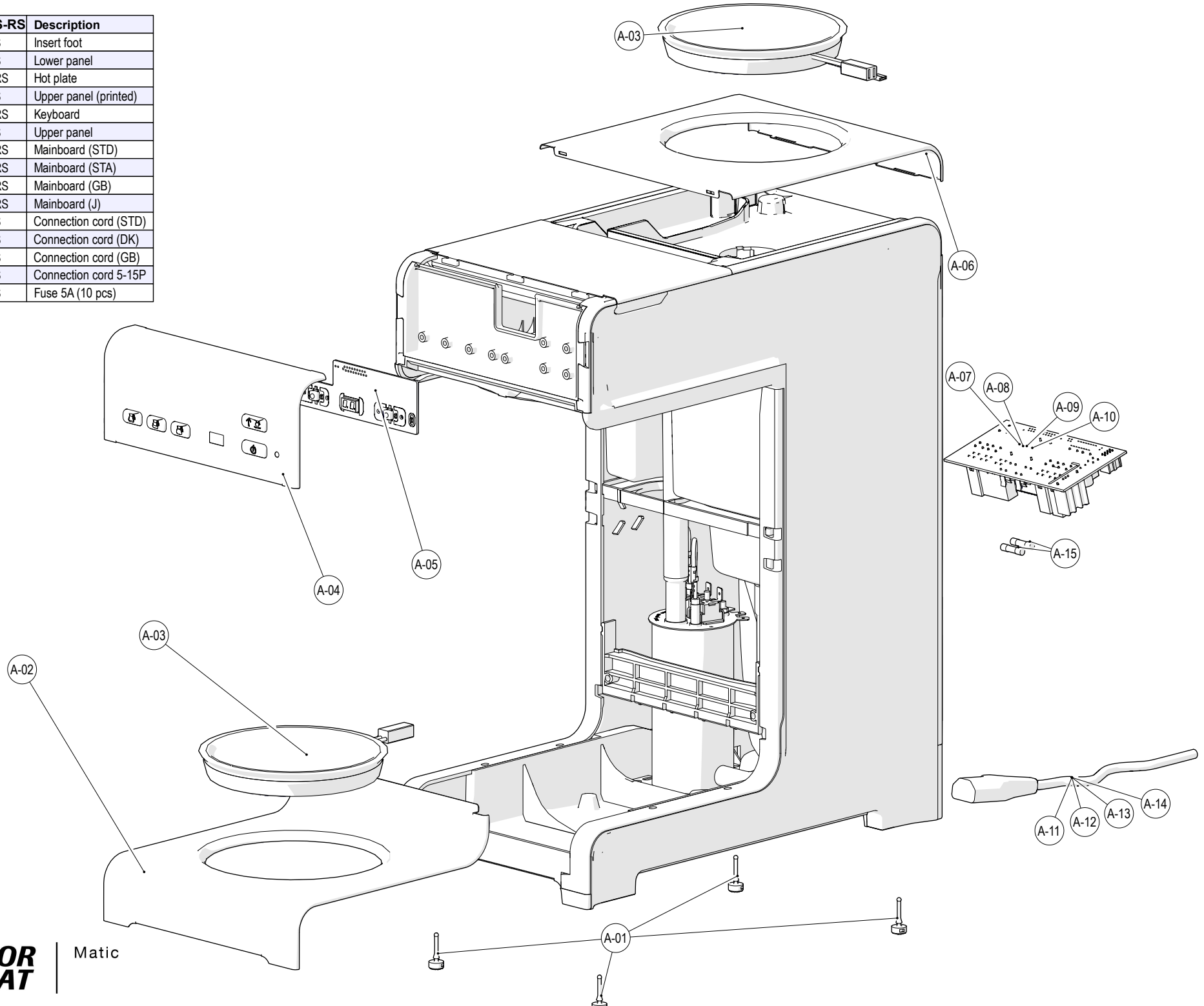


ID	Service parts	S-RS	Description
A-01	6.101.039.001	S	Insert foot
A-02	6.101.033.001	S	Lower panel
A-03	6.101.072.000	RS	Hot plate
A-04	6.101.141.001	S	Upper panel (printed)
A-05	6.101.161.000	RS	Keyboard
A-06	6.101.027.001	S	Upper panel
A-07	6.101.047.000	RS	Mainboard (STD)
A-08	6.101.101.000	RS	Mainboard (STA)
A-09	6.101.151.000	RS	Mainboard (GB)
A-10	6.101.207.000	RS	Mainboard (J)
A-11	6.003.012.151	S	Connection cord (STD)
A-12	6.003.012.156	S	Connection cord (DK)
A-13	6.003.012.160	S	Connection cord (GB)
A-14	6.003.012.114	S	Connection cord 5-15P
A-15	6.005.011.021	S	Fuse 5A (10 pcs)



ID	Service parts	S-RS	Description	mm
B-01	6.202.848.001	S	Nut for magnetic valve	
B-02	6.016.001.035	RS	Magnetic valve 2.5 l/min 230V	
B-03	6.016.001.038	RS	Magnetic valve 2.5 l/min 200V	
B-04	6.016.001.089	RS	Magnetic valve 2.5 l/min 100V	
B-05	6.001.079.004	S	Tube clamp 17.5 mm	
B-06	6.019.033.014	S	Silicone tube 15.5 x 9.5	700
B-07	6.001.079.003	S	Tube clamp 15.6 mm	
B-08	6.000.101.003	RS	Float (assy)	
B-09	6.101.081.001	S	Silicone tube 9.5 x 3.0	200
B-10	6.101.061.000	RS	Flow boiler 230V 2000W	
B-11	6.101.134.000	RS	Flow boiler 120V 1600W	
B-12	6.101.080.001	S	Silicone tube 11,5 x 3,0	280
B-13	6.101.008.001	S	Water spreader (assy)	
B-14	6.011.001.157	S	O-ring 75x3x3	
B-15	6.101.062.001	S	Spraying tank	
B-16	6.016.018.023	S	Sieve	
B-17	6.101.012.001	S	Protection plate	
B-18	6.101.122.001	S	Descaling plug	
B-19	6.016.008.077	RS	High temp safety device	

