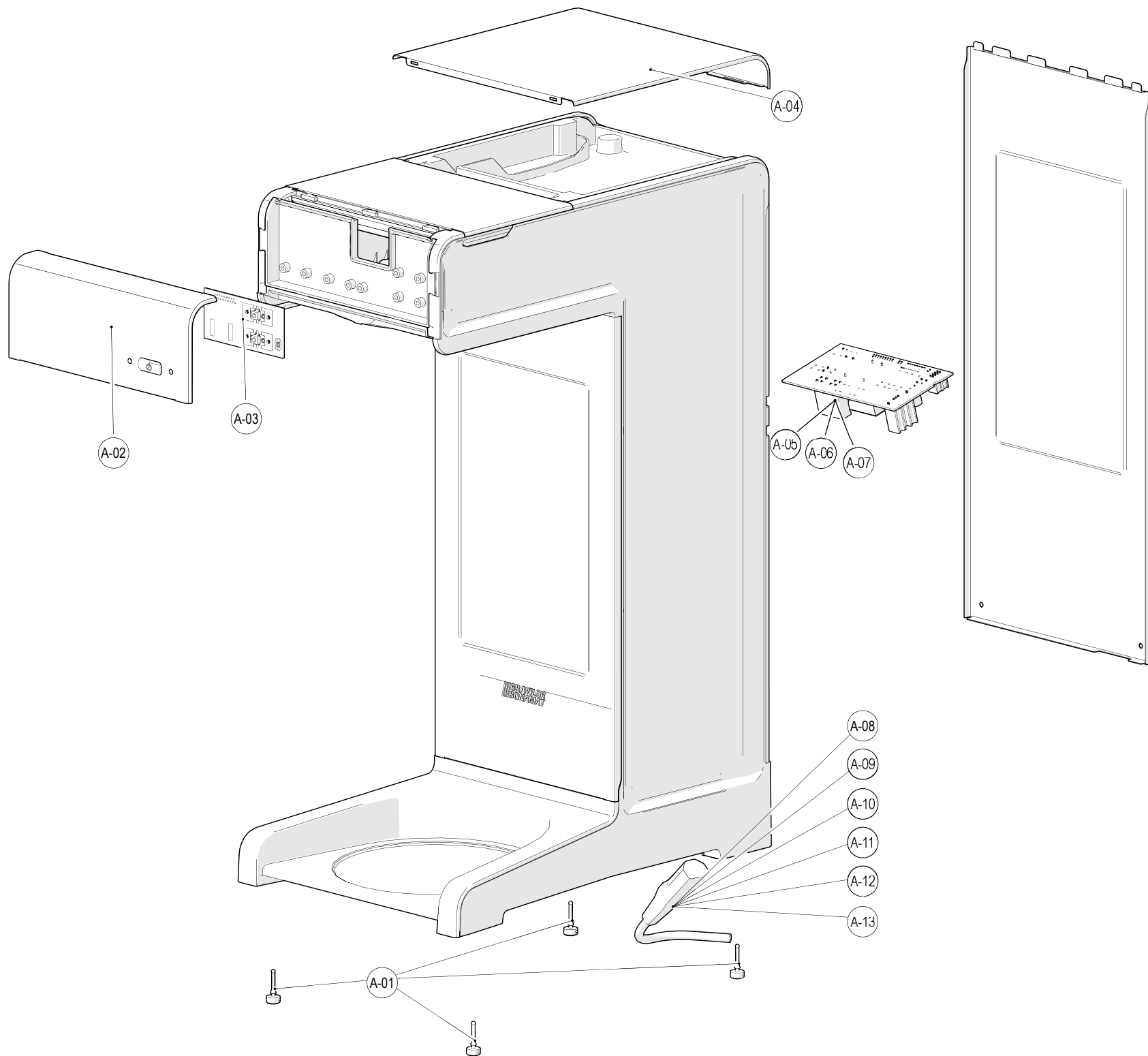


| ID | Service parts | S-RS | Description |
|------|---------------|---------------------------------|-----------------------|
| A-01 | 6.101.039.001 | S | Foot (10 pcs) |
| A-02 | 6.101.143.001 | S | Upper panel (printed) |
| A-03 | 6.101.160.000 | RS | Keyboard |
| A-04 | 6.101.028.001 | S | Upper panel |
| A-05 | 6.101.047.000 | RS | Mainboard (STD) |
| A-06 | 6.101.101.000 | RS | Mainboard (STA) |
| A-07 | 6.101.151.000 | RS </td <td>Mainboard (GB)</td> | Mainboard (GB) |
| A-08 | 6.003.012.151 | S | Connection cord (STD) |
| A-09 | 6.003.012.156 | S | Connection cord (DK) |
| A-10 | 6.003.012.157 | S | Connection cord (OCE) |
| A-11 | 6.003.012.159 | S | Connection cord (PRC) |
| A-12 | 6.003.012.160 | S | Connection cord (GB) |
| A-13 | 6.003.012.114 | S | Connection cord 5-15P |



| ID | Service parts | S-RS | Description | mm |
|------|---------------|------|--------------------------|-----|
| B-01 | 6.101.011.001 | S | Grid watertank | |
| B-02 | 6.101.105.001 | S | Locking device | |
| B-03 | 6.101.093.001 | RS | Float | |
| B-04 | 6.101.113.000 | RS | Reed contact | |
| B-05 | 6.101.083.001 | S | Silicone tube 9.5 x 3.0 | 260 |
| B-06 | 6.101.061.000 | RS | Flow boiler 230V 2000W | |
| B-07 | 6.101.079.000 | RS | Flow boiler 230V 2300W | |
| B-08 | 6.101.133.000 | RS | Flow boiler 230V 1600W | |
| B-09 | 6.101.134.000 | RS | Flow boiler 120V 1600W | |
| B-10 | 6.101.137.000 | RS | Flow boiler 240V 1400W | |
| B-11 | 6.101.082.001 | S | Silicone tube 11.5 x 3.0 | 325 |
| B-12 | 6.101.008.001 | S | Water spreader (assy) | |
| B-13 | 6.011.001.157 | S | O-ring 75x3x3 | |
| B-14 | 6.101.062.001 | S | Spraying tank | |
| B-15 | 6.016.008.077 | RS | High temp safety device | |

