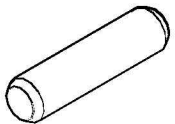
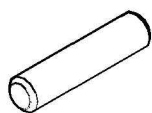
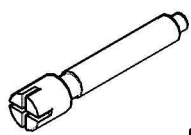
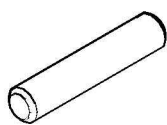
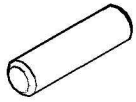

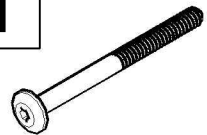


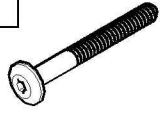
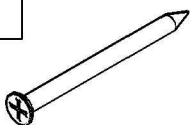
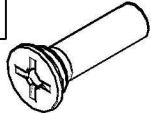
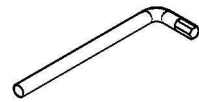
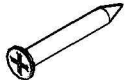

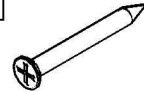
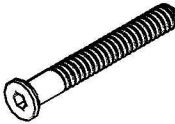
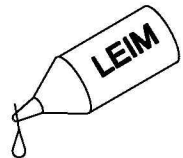
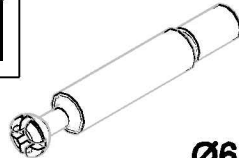

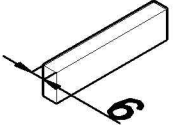
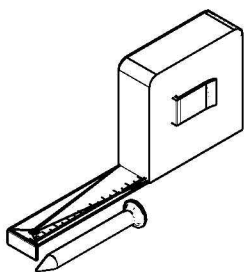
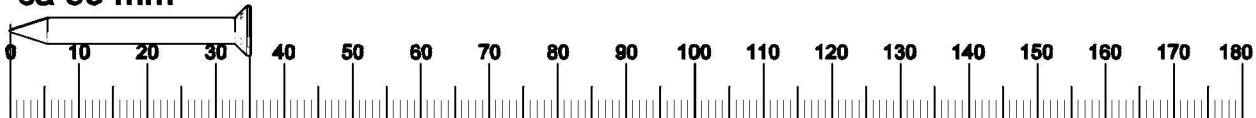
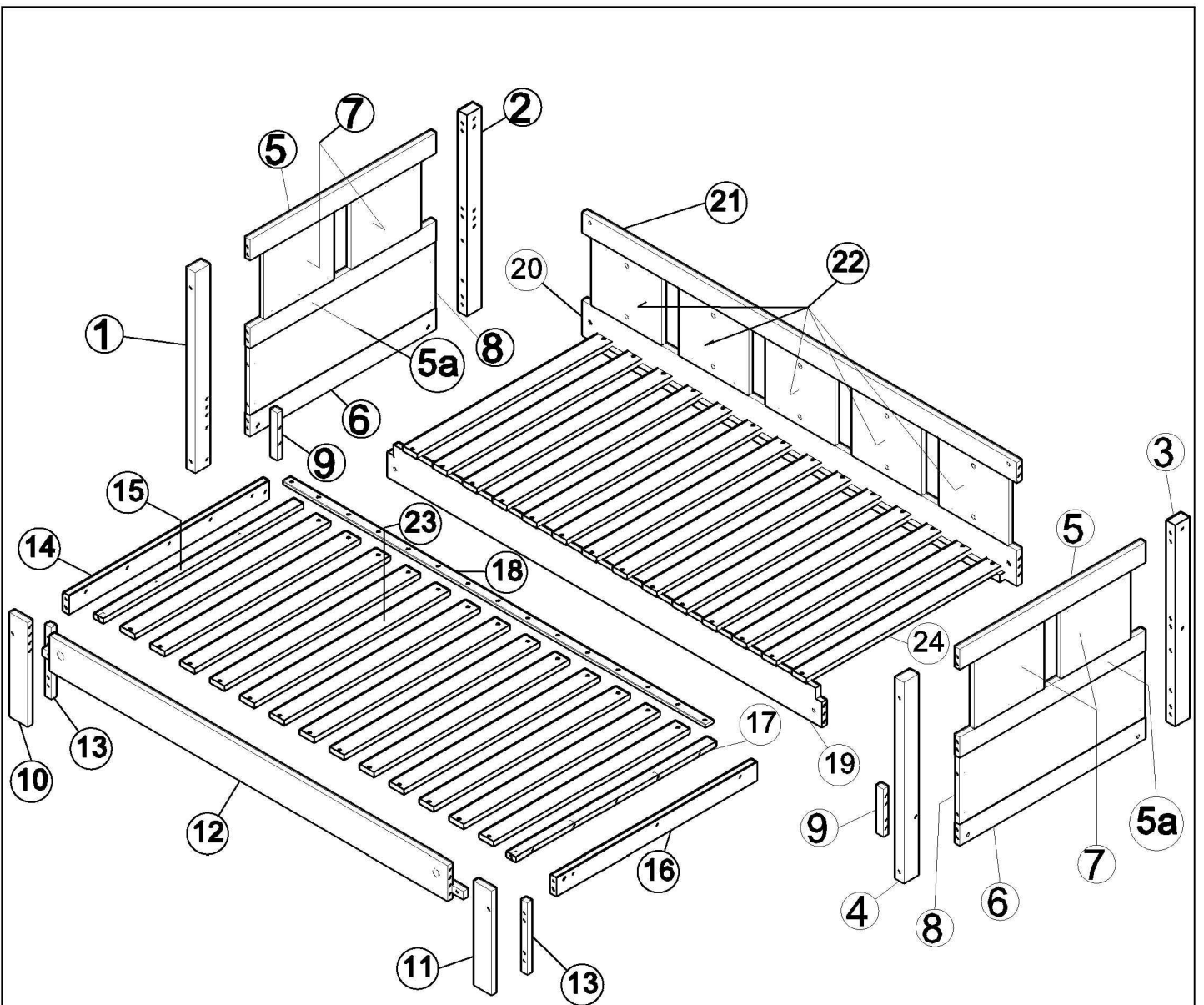


K4  x 12 Ø10 x 40	K1  x 60 Ø8 X 35	J4  x 2 M6 X 50
K3  x 22 Ø8 X 40	K2  x 8 Ø8 x 30	B4  x 2 Ø30
J21  x 6 M6 X 80	J12  x 8 M6 x 110	H4  x 16 Ø10/M6 x 13
J7  x 2 M6 X 60	S7  x4 Ø3,5 x 50	E2  x13 Ø6,3 x 24
F2  x 1 HEX 4 mm	S5  x41 Ø3,5 x 30	S20  x2 Ø3,5 x 20
S6  x6 Ø3,5 x 35	C4  x6 Ø7 x 50	Q1  x1 LEIM
M1  x10 Ø6,3 x 30	M2  x10 Ø15	X1  x2 50x20x6

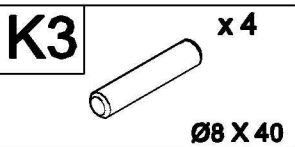
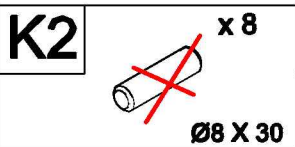
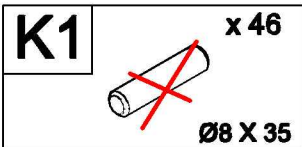
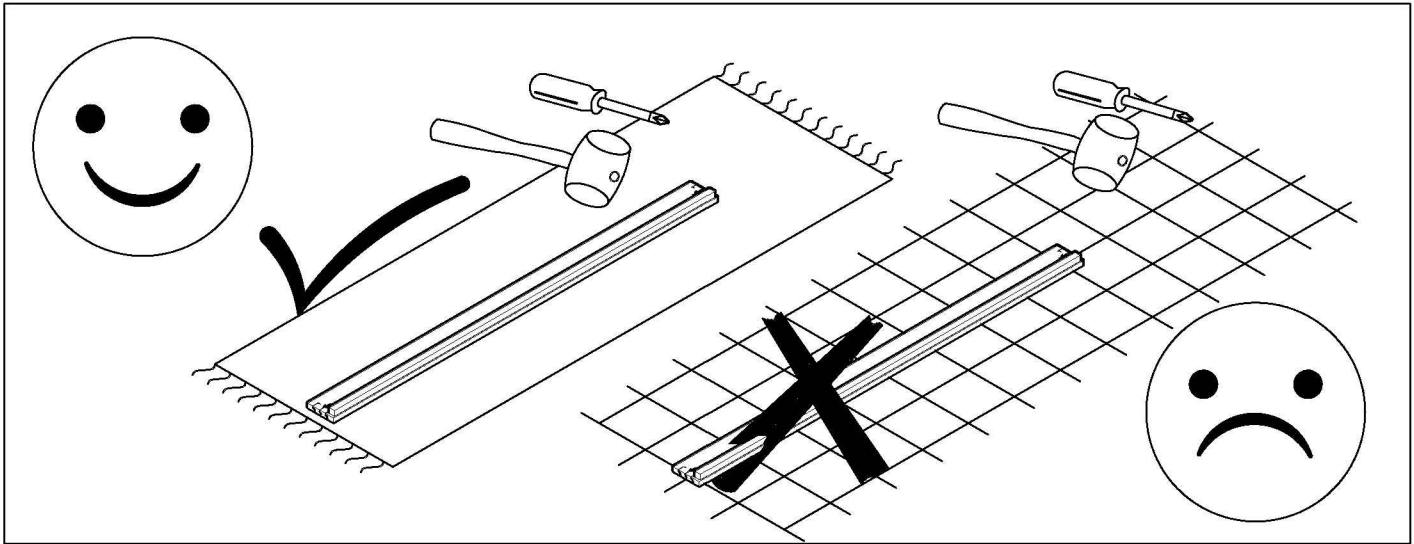


ca 35 mm

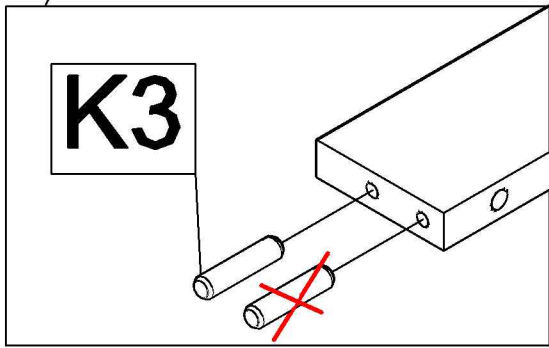
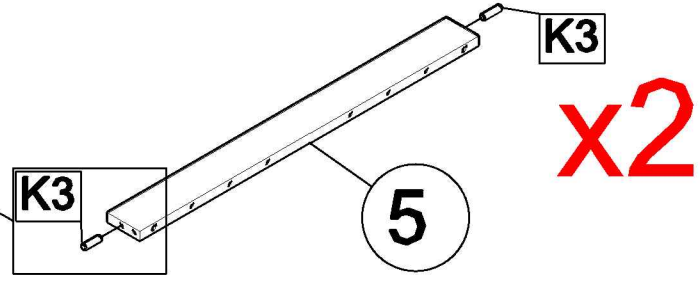
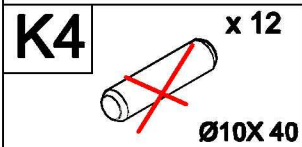




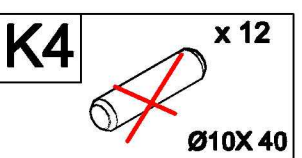
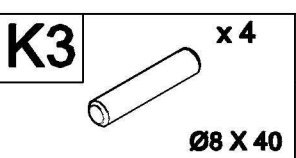
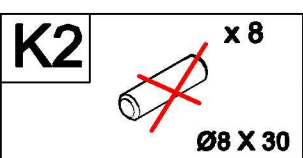
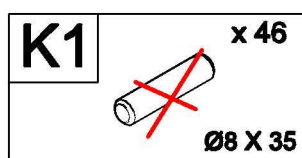
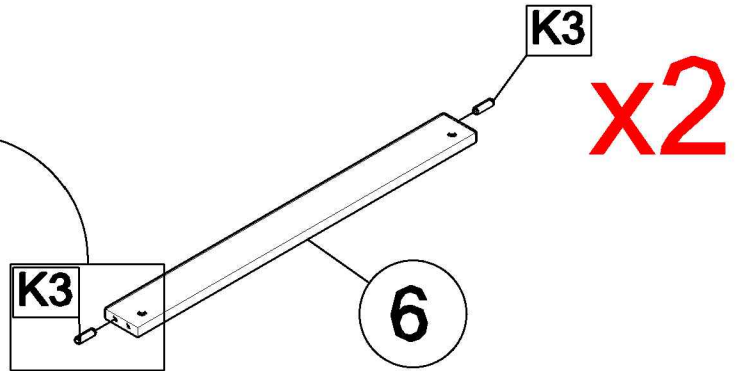
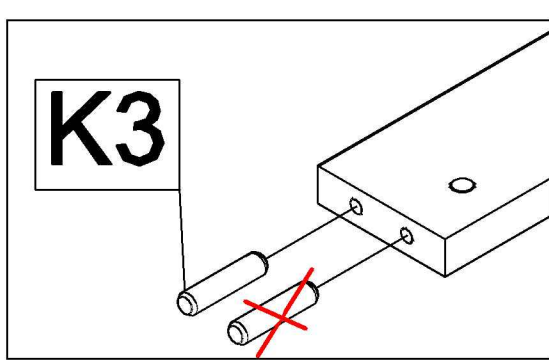
No	Σ	L X B X T(MM)	✓	No	Σ	L X B X T(MM)	✓
1	1	800 X 65 X 38		12	1	1834 X 140 X 20	
2	1	800 X 65 X 38		13	2	285 X 25 X 20	
3	1	800 X 65 X 38		14	1	920 X 72 X 25	
4	1	800 X 65 X 38		15	1	920 X 40 X 18	
5	2	855 X 80 X 20		16	1	920 X 72 X 25	
5a	2	855 X 80 X 20		17	1	920 X 40 X 18	
6	2	855 X 80 X 20		18	1	1944 X 35 X 10	
7	4	262 X 320 X 16		19	1	2000 X 140 X 20	
8	2	855 X 262 X 16		20	1	2000 X 140 X 20	
9	2	188 X 30 X 20		21	1	2000 X 80 X 20	
10	1	415 X 80 X 20		22	5	272 X 320 X 16	
11	1	415 X 80 X 20		23	13	900 X 63 X 18	
				24	14	900 X 63 X 18	





1

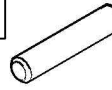


2




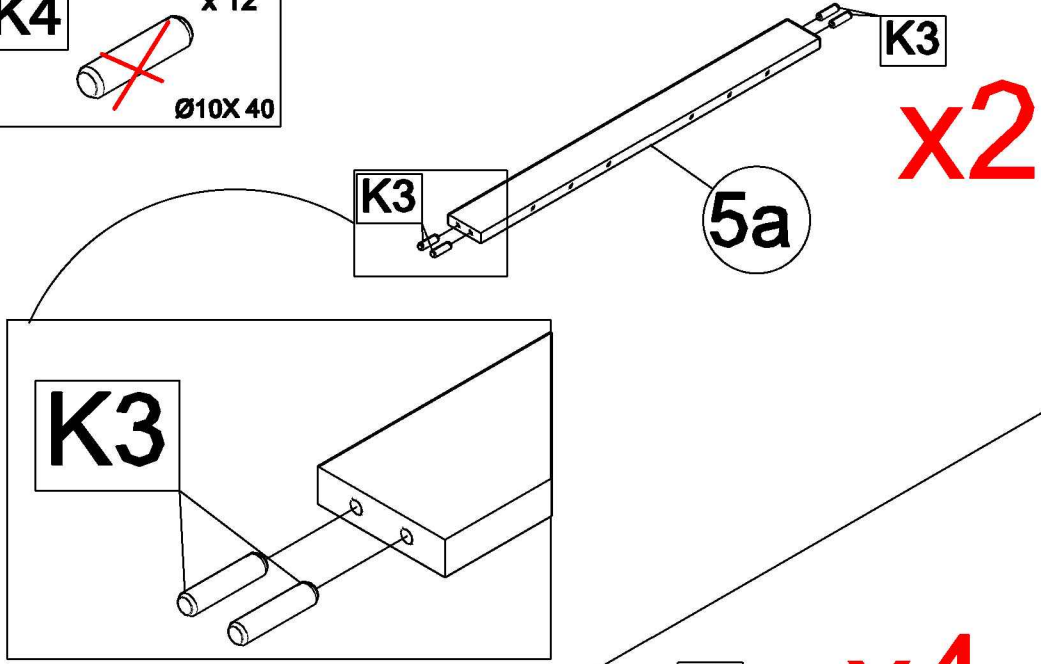
K1 x 46

 Ø8 X 35

K2 x 8

 Ø8 X 30

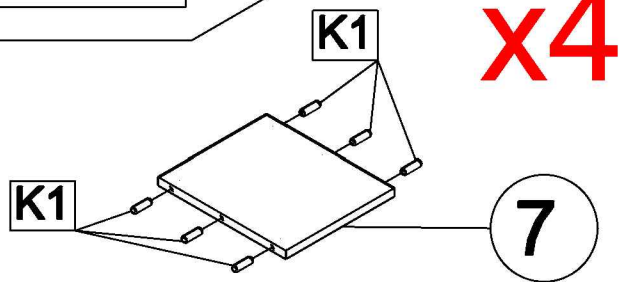
K3 x 8

 Ø8 X 40

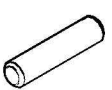
3


K4 x 12

 Ø10X 40





4

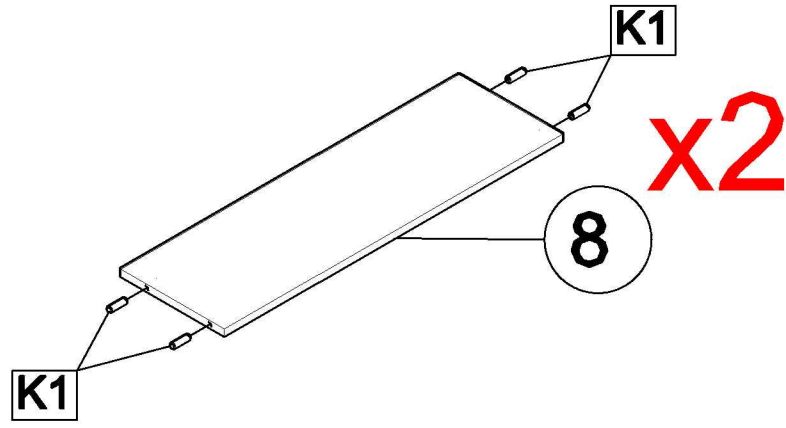


K1 24

 Ø8 X 35


K2 x 8

 Ø8 X 30

K3 x 4

 Ø8 X 40

K4 x 12

 Ø10X 40





5

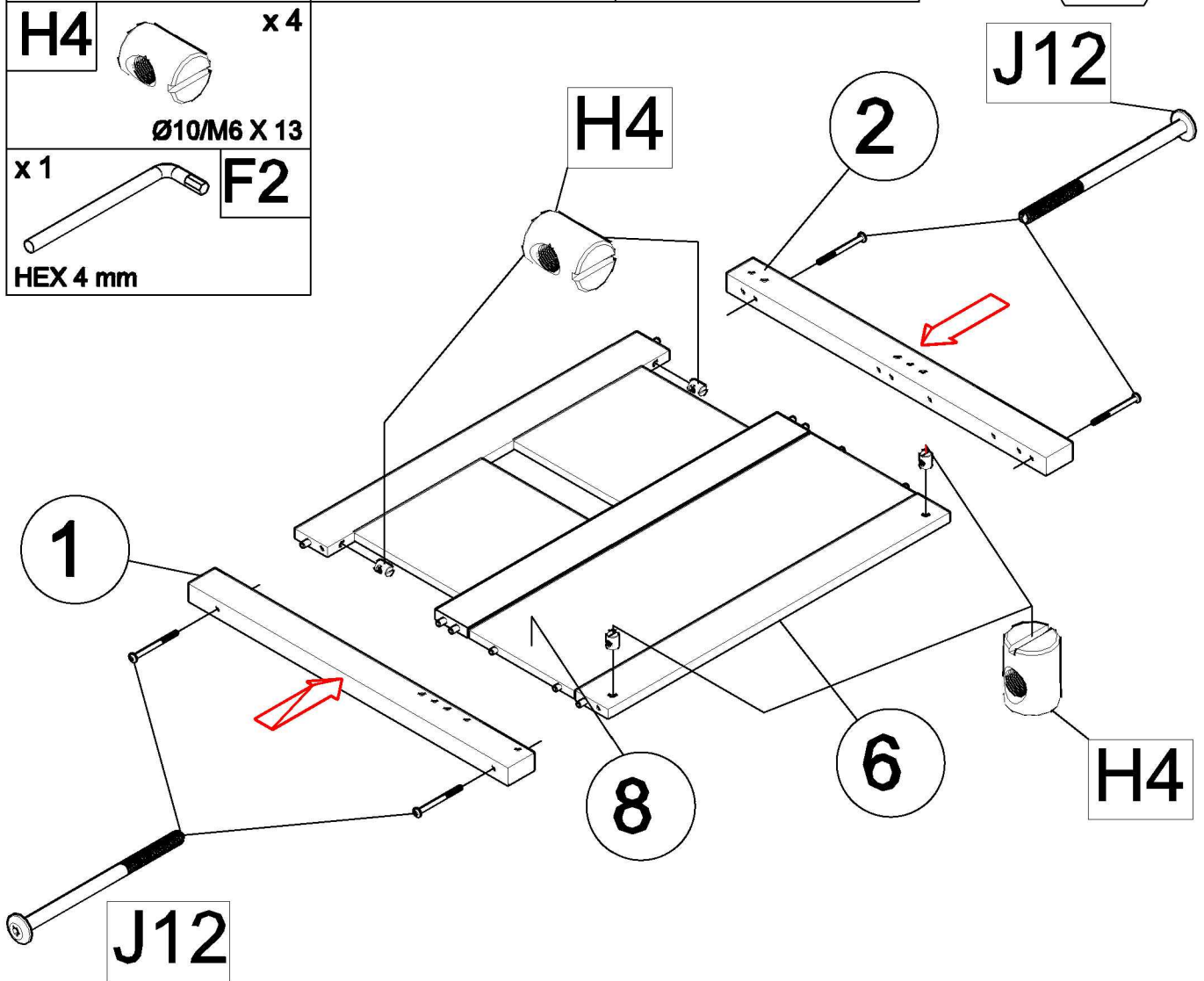
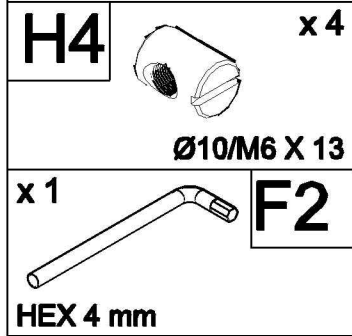
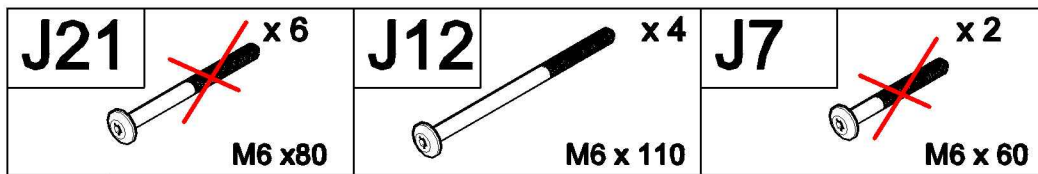
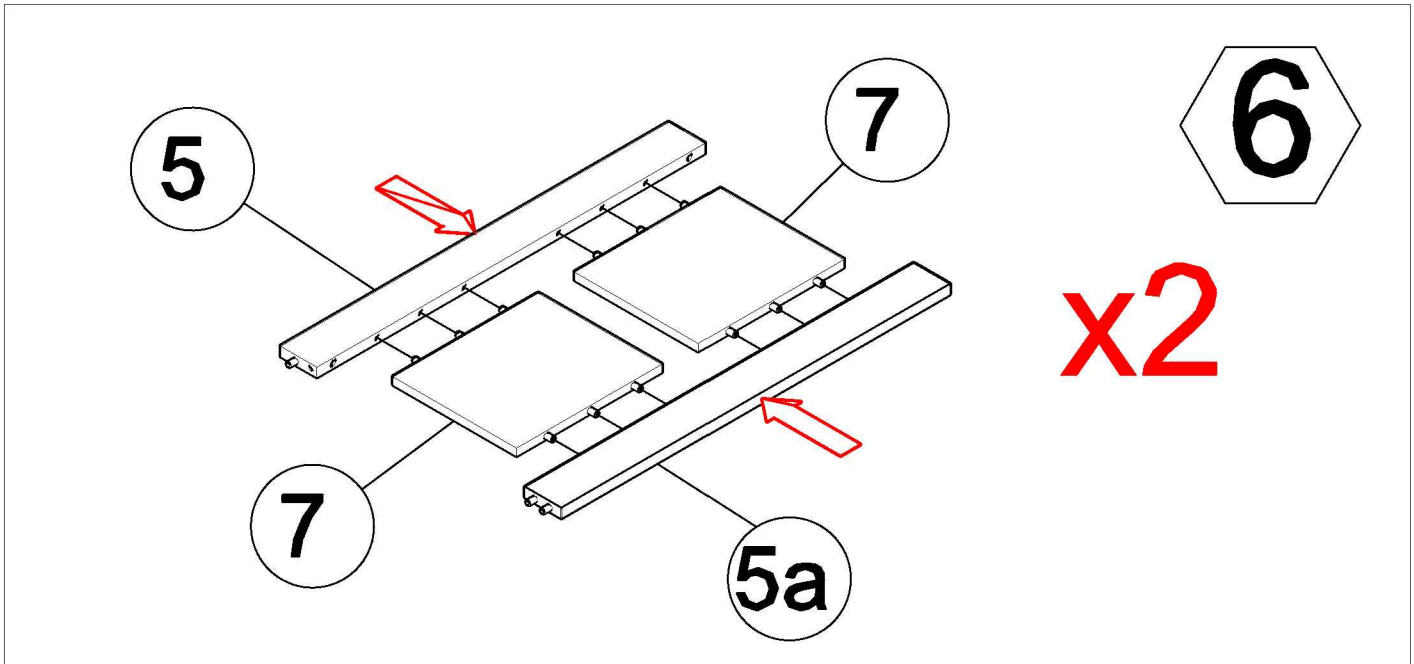
K1 x 8

 Ø8 X 35

K2 x 8

 Ø8 X 30

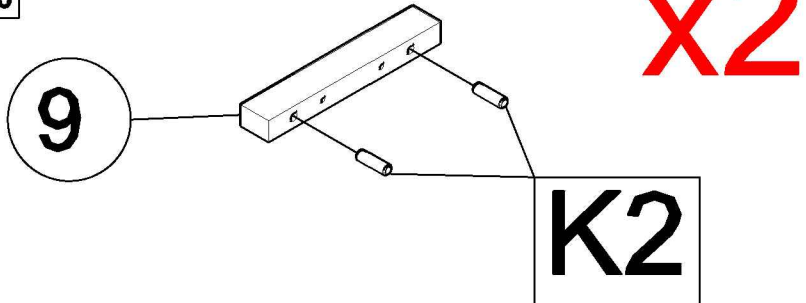
K3 x 6

 Ø8 X 40

K4 x 12

 Ø10X 40



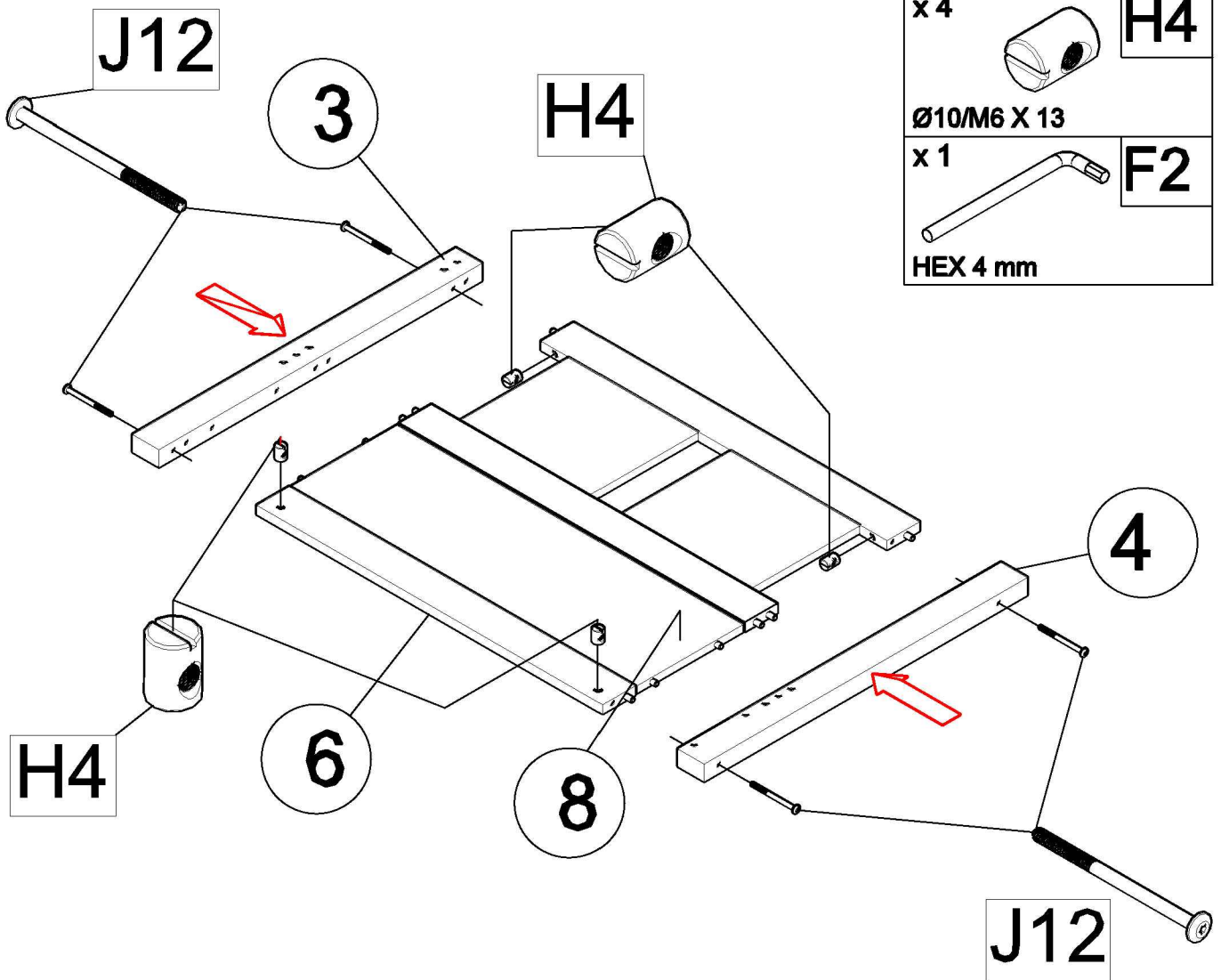
K1 x 46 Ø8 X 35	K2 x 4 Ø8 X 30	K3 x 8 Ø8 X 40
K4 x 12 Ø10X 40		

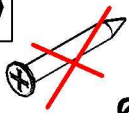
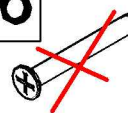
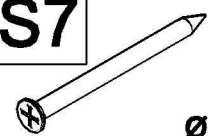
8



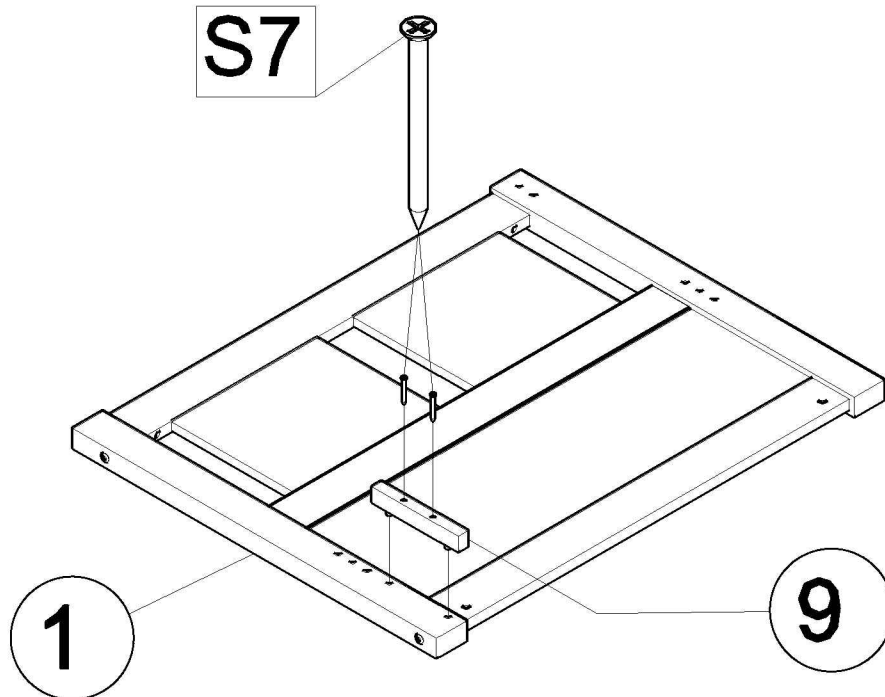
9

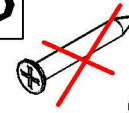
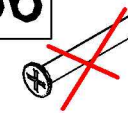
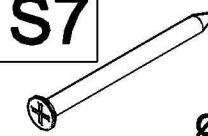
x 2 M6 x 60	J7 x 4 M6 x 110	x 6 M6 x 80	J21
		x 4 Ø10/M6 X 13	H4
		x 1 HEX 4 mm	F2



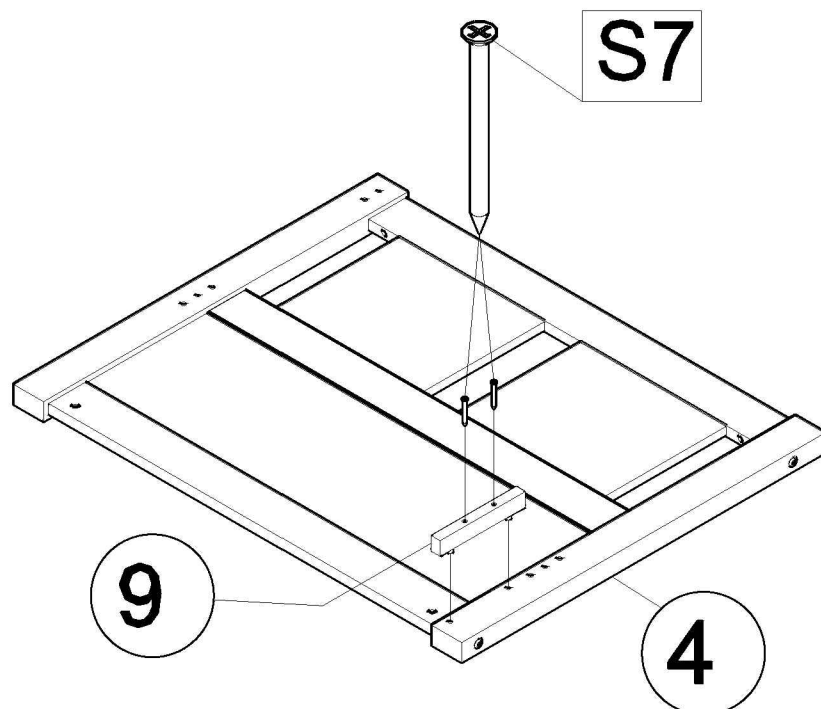
S5	x 45	S6	x 6	S7	x 2
					
Ø3,5 X 30		Ø3,5 X 35		Ø3,5 X 50	

10



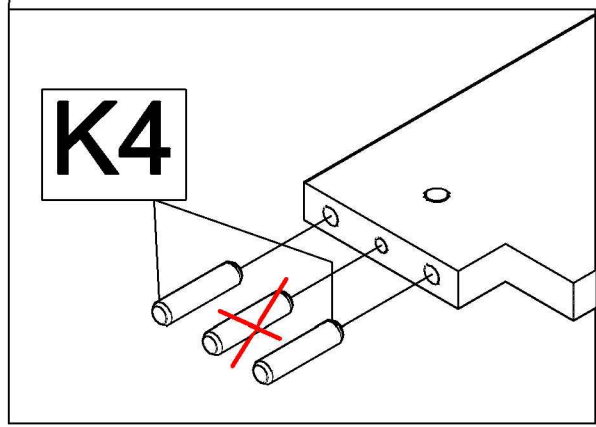
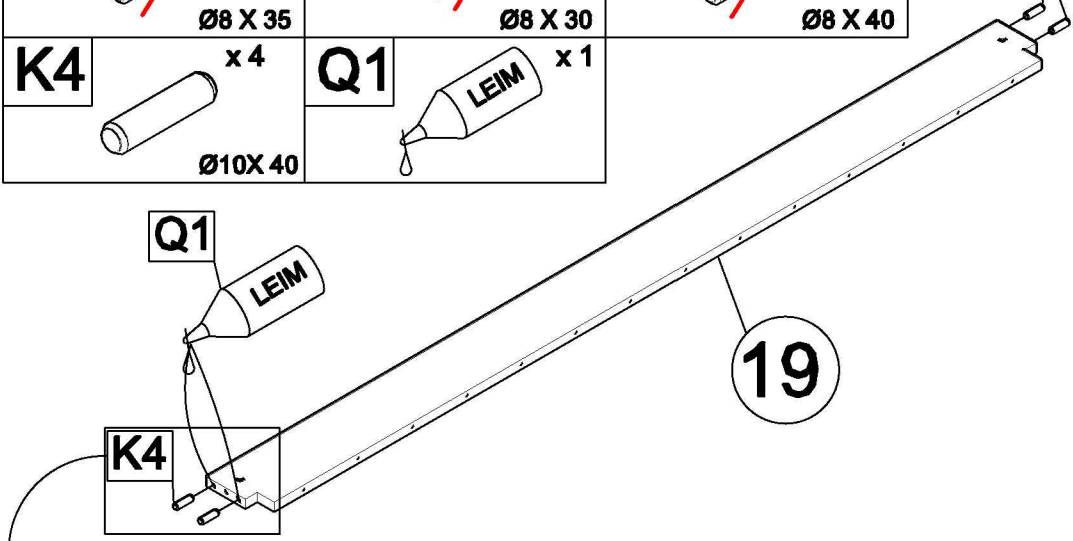
S5	x 45	S6	x 6	S7	x 2
					
Ø3,5 X 30		Ø3,5 X 35		Ø3,5 X 50	

11

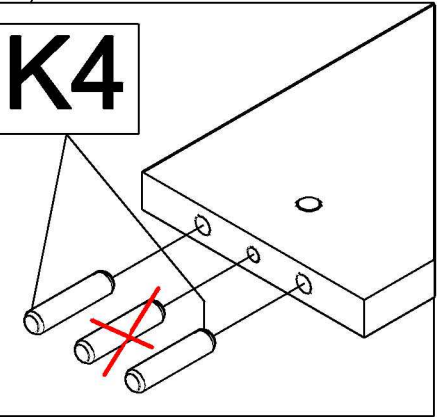
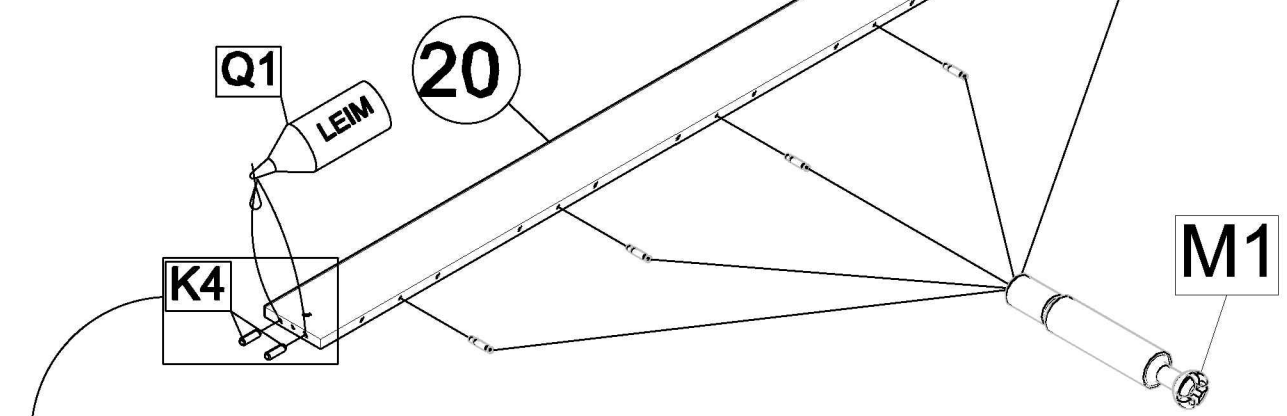


12






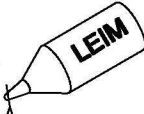
K1 x 46 Ø8 X 35	K2 x 8 Ø8 X 30	K3 x 8 Ø8 X 40
K4 x 4 Ø10X 40	Q1 LEIM x 1	



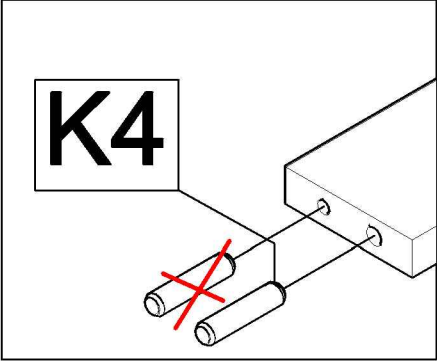
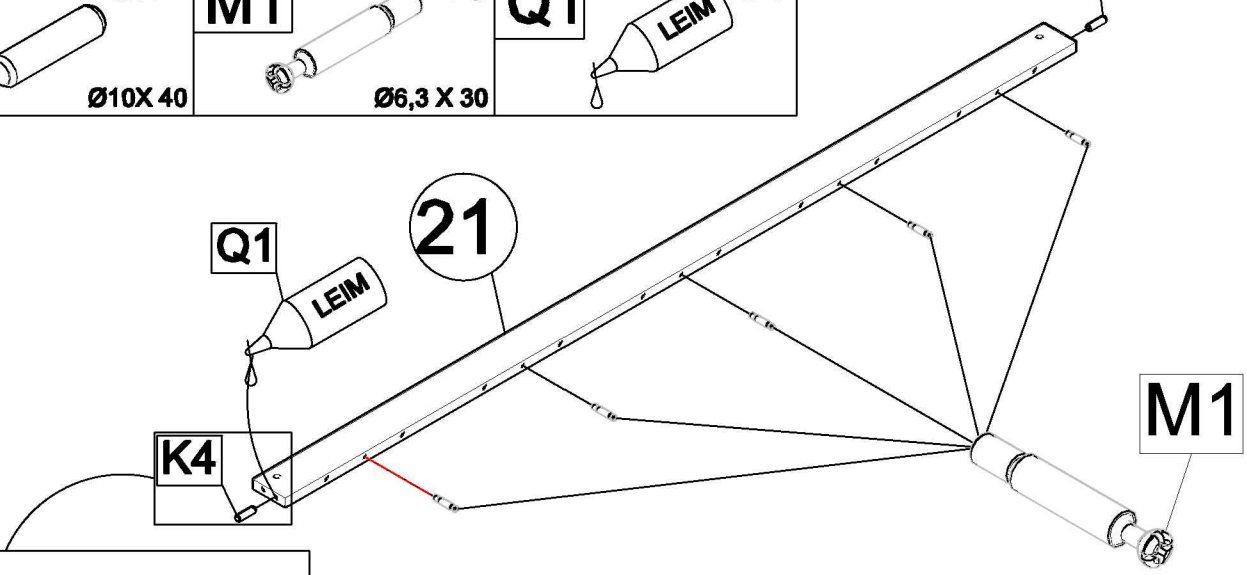
13



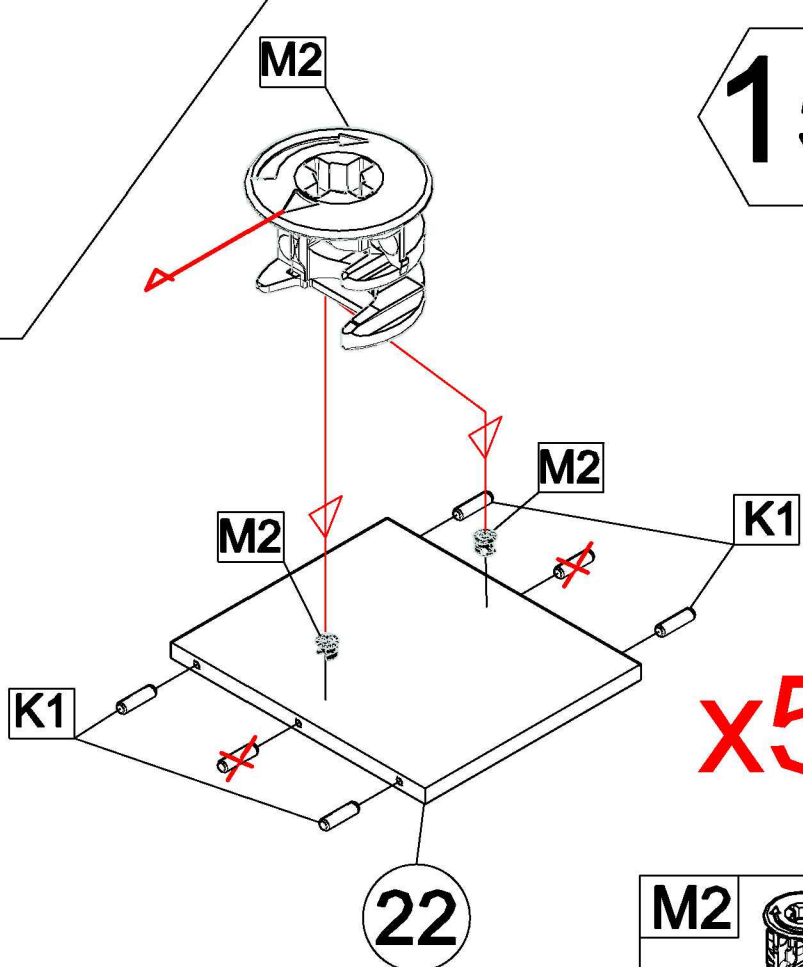
Q1 LEIM x 1	M1 x 5 Ø6,3 X 30	K4 x 4 Ø10X 40
K1 x 46 Ø8 X 35	K2 x 8 Ø8 X 30	K3 x 8 Ø8 X 40

K1	 x 46	K2	 x 8	K3	 x 8
K4	 x 2	M1	 x 5	Q1	 x 1

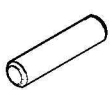



14



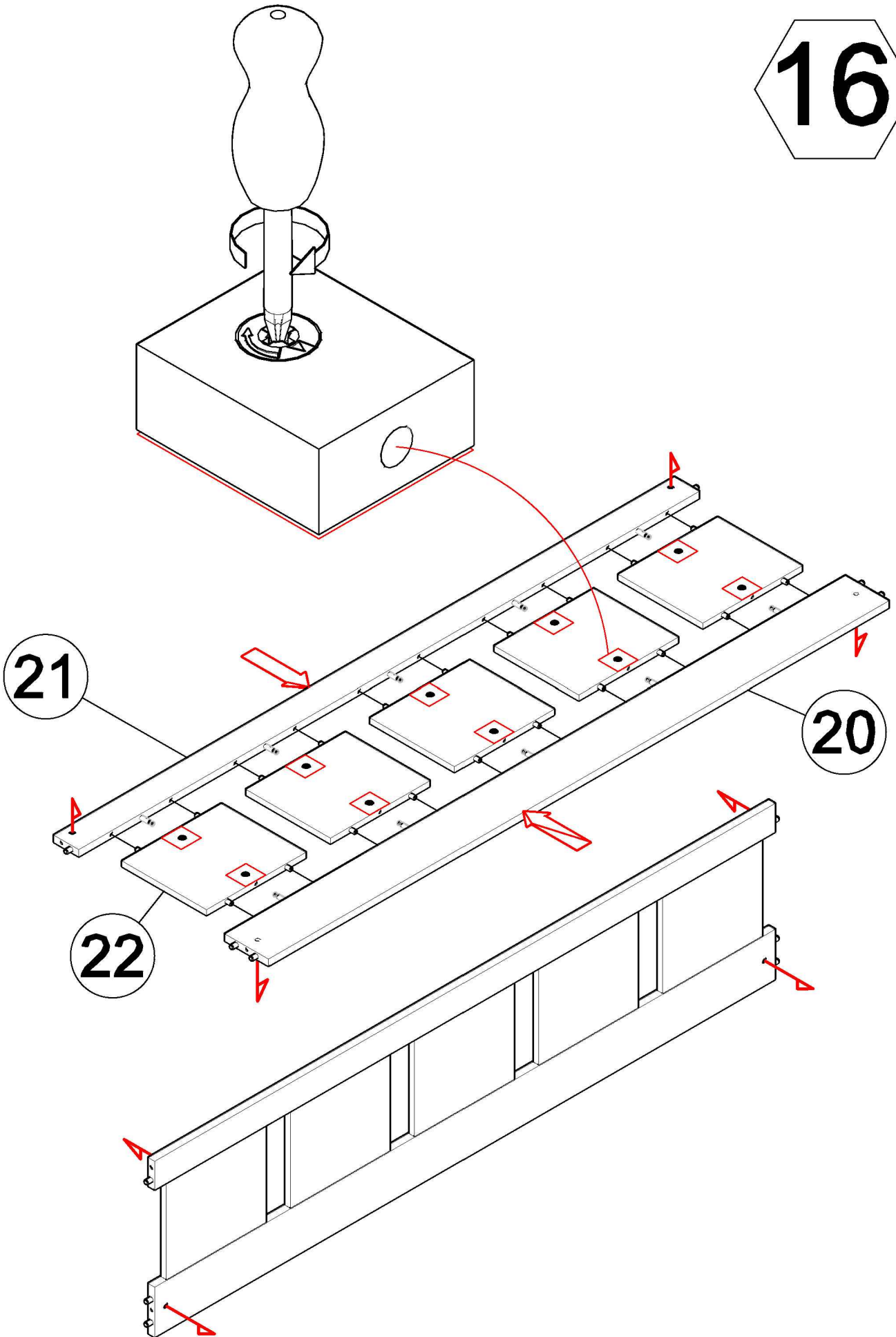
15



M2	 x 10
	Ø15

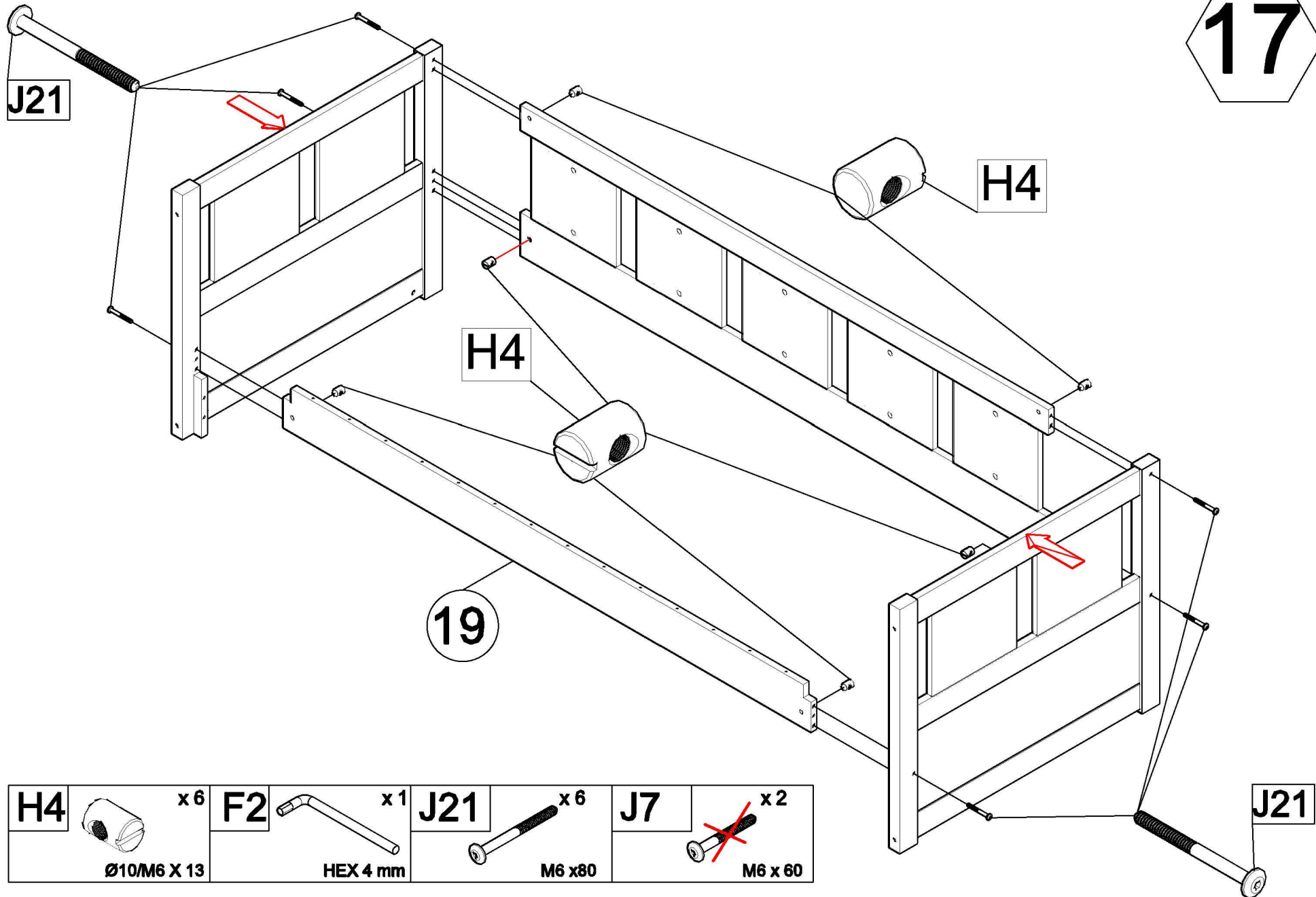
K1	 20	K2	 x 8	K3	 x 4	K4	 x 12
	Ø8 X 35		Ø8 X 30		Ø8 X 40		Ø10 X 40

16



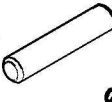




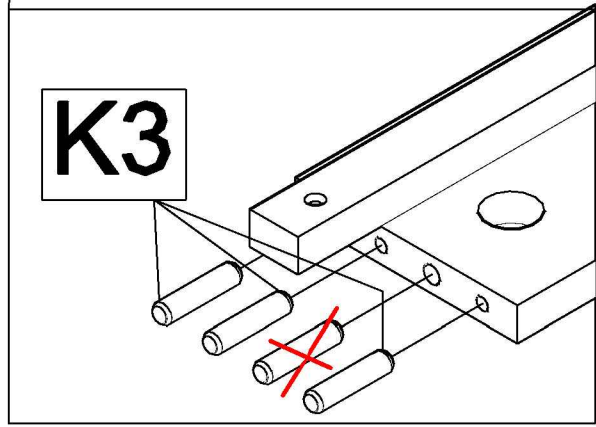
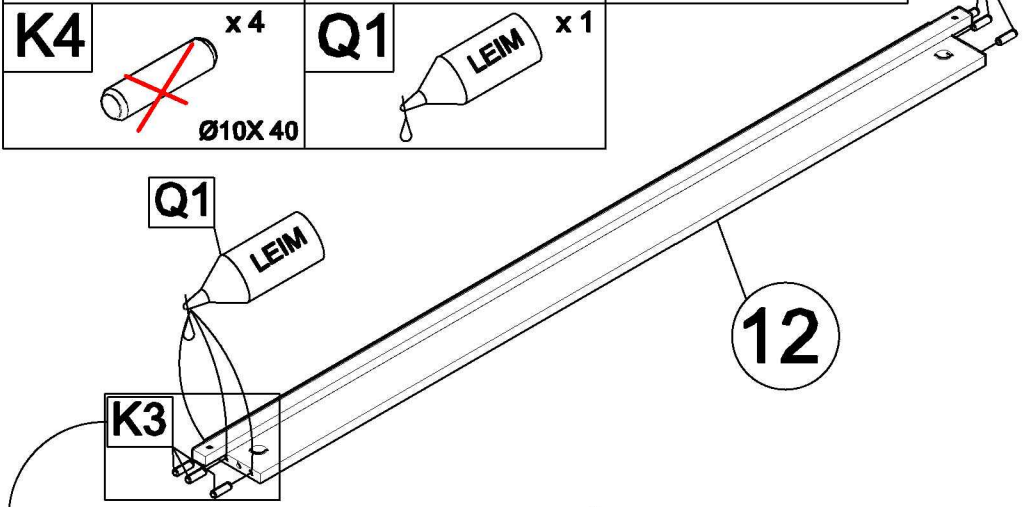
17

13/26

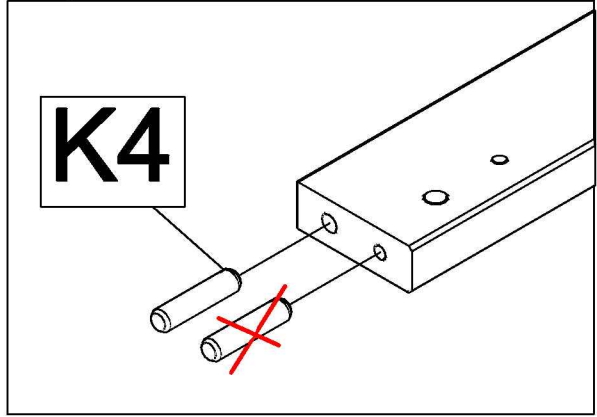
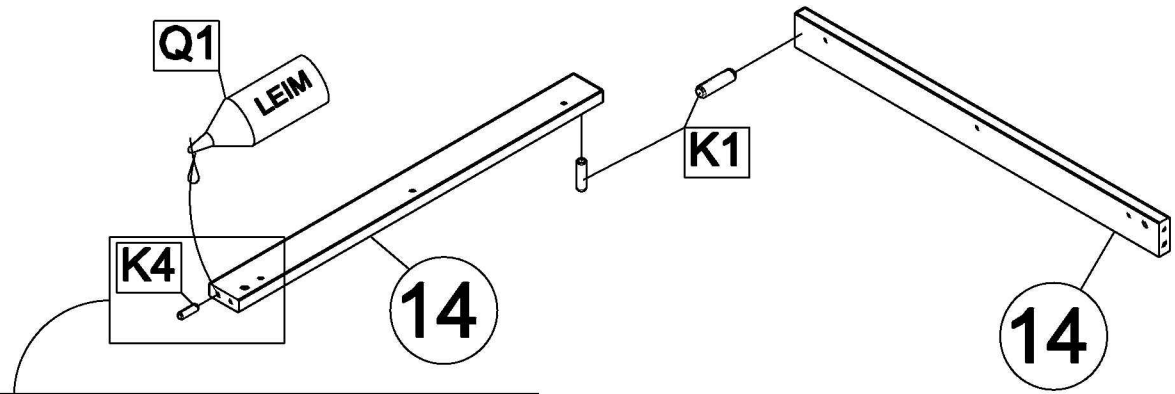




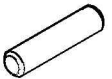

18

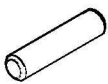



K1 x 46  Ø8 X 35	K2 x 8  Ø8 X 30	K3 x 6  Ø8 X 40
K4 x 4  Ø10 X 40	Q1 x 1 	

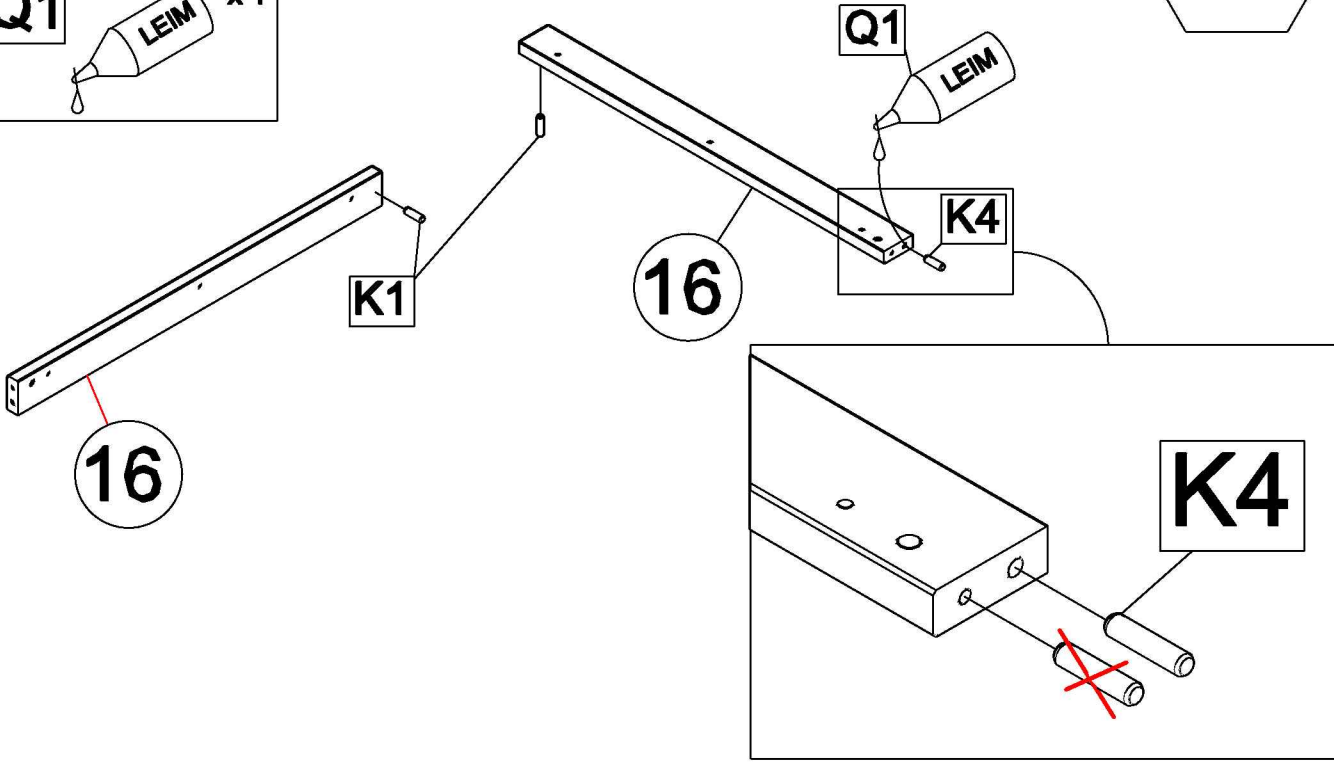





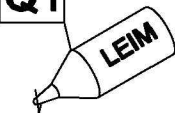
19

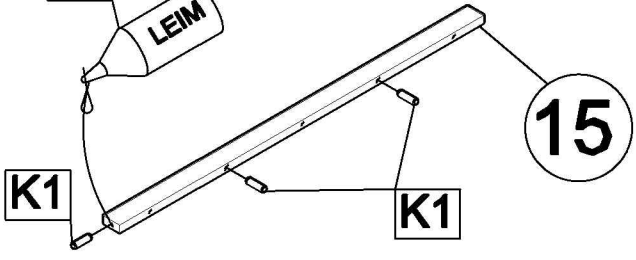





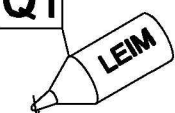
Q1 x 1 	K4 x 1  Ø10 X 40
K1 x 1  Ø8 X 35	K2 x 4  Ø8 X 30

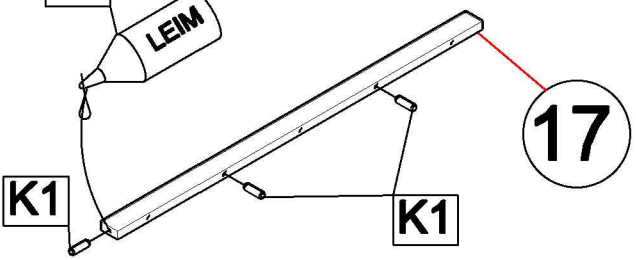
K1  x 1 Ø8 X 35	K2  x 4 Ø8 X 30	K4  x 1 Ø10 X 40	<div style="border: 2px solid black; width: 60px; height: 60px; margin: 0 auto; display: flex; align-items: center; justify-content: center; font-size: 48px; font-weight: bold;">20</div>
Q1  x 1			

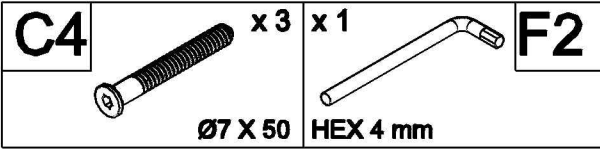


K1  x 3 Ø8 X 35	K2  x 4 Ø8 X 30	Q1  x 1	<div style="border: 2px solid black; width: 60px; height: 60px; margin: 0 auto; display: flex; align-items: center; justify-content: center; font-size: 48px; font-weight: bold;">21</div>
Q1 			

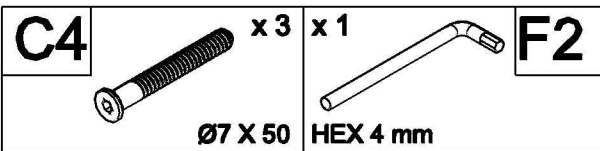
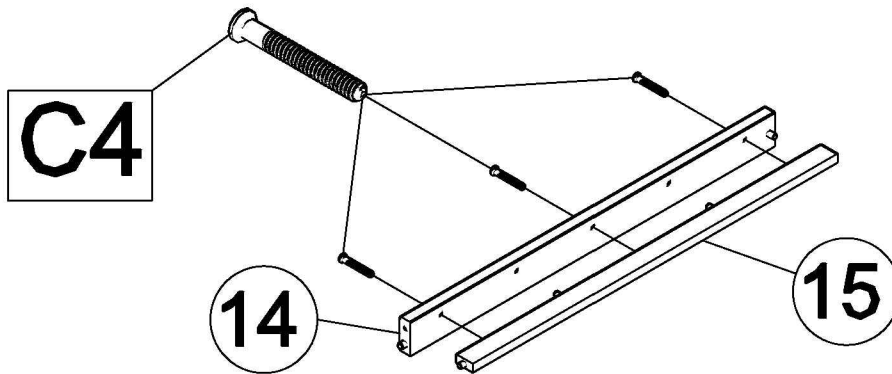


K1  x 3 Ø8 X 35	K2  x 4 Ø8 X 30	Q1  x 1	<div style="border: 2px solid black; width: 60px; height: 60px; margin: 0 auto; display: flex; align-items: center; justify-content: center; font-size: 48px; font-weight: bold;">22</div>
Q1 			

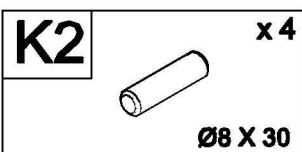
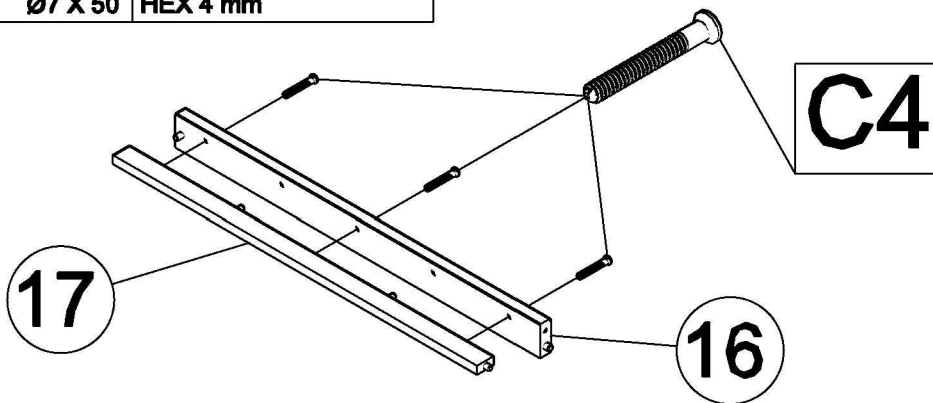




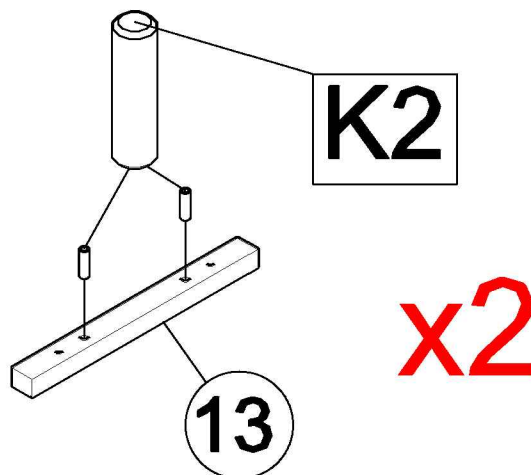
23

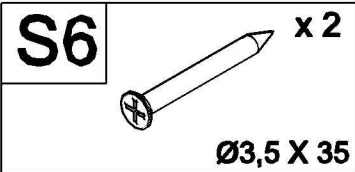


24

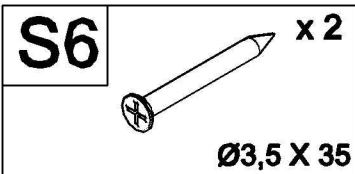
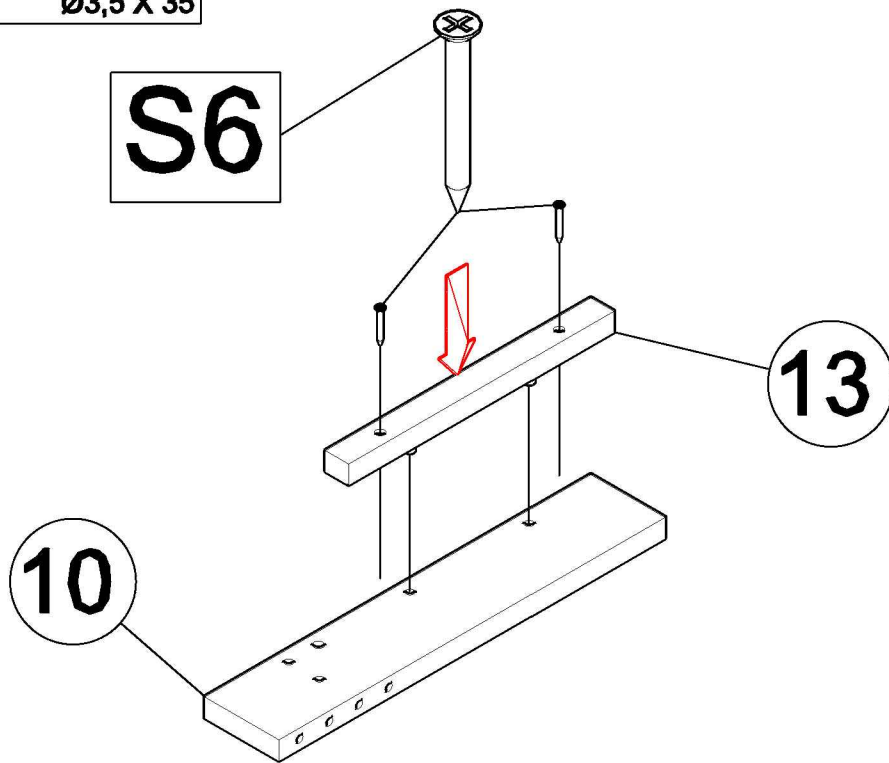


25

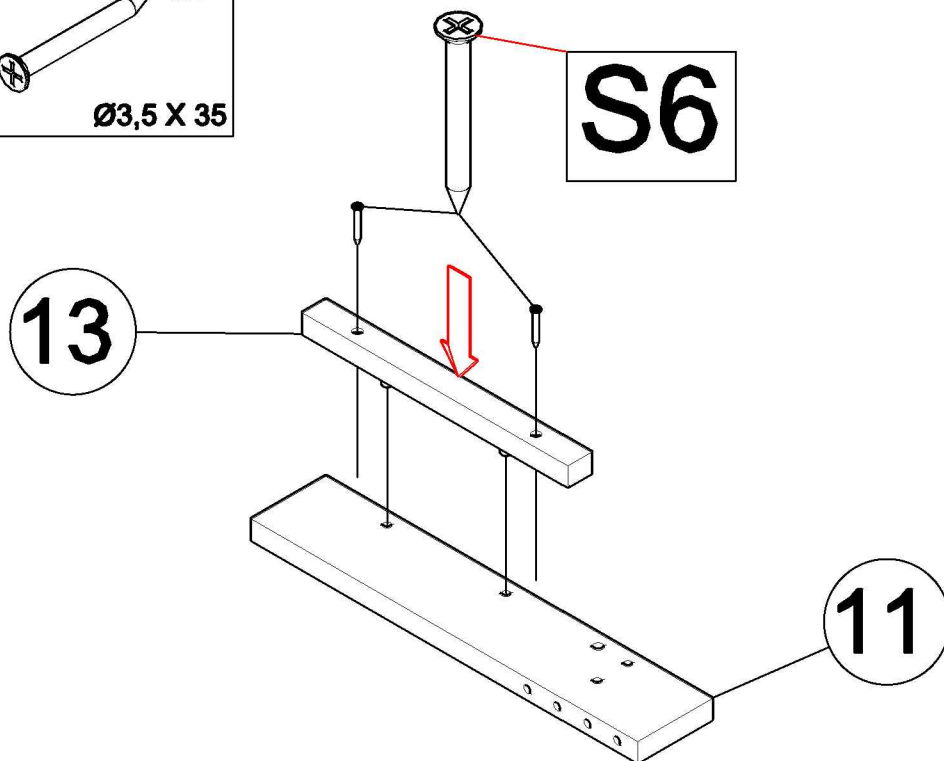




26



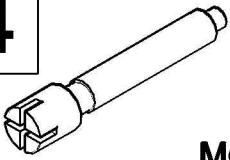
27



28

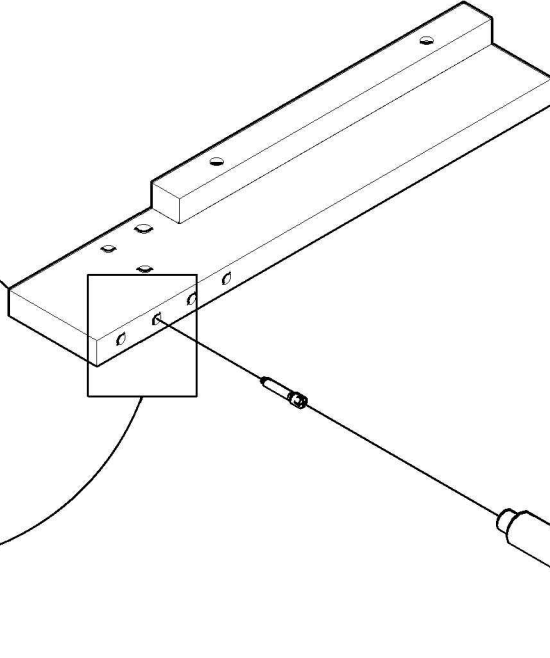
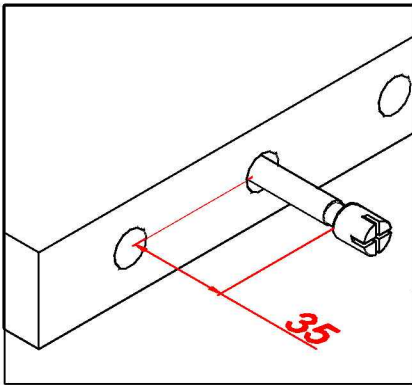
J4

x 1



M6 X 50

10

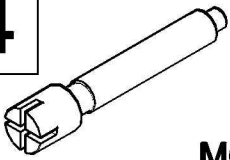


J4

29

J4

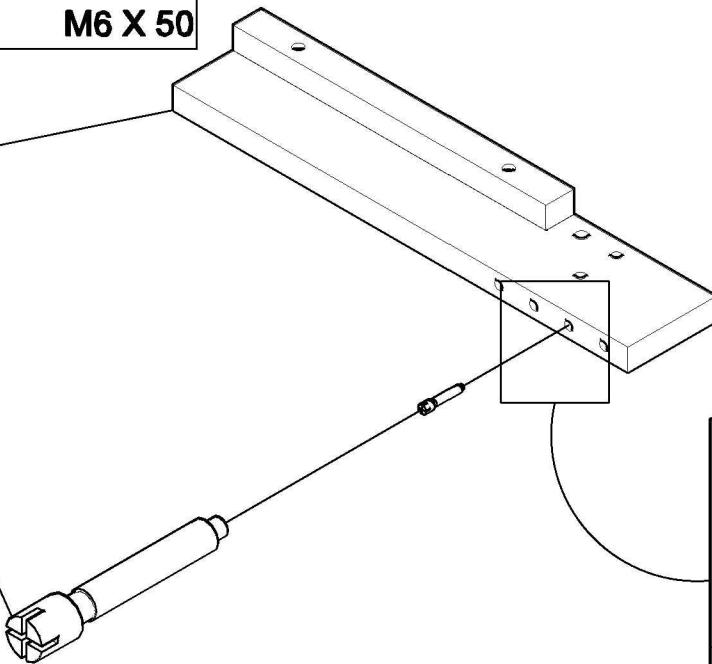
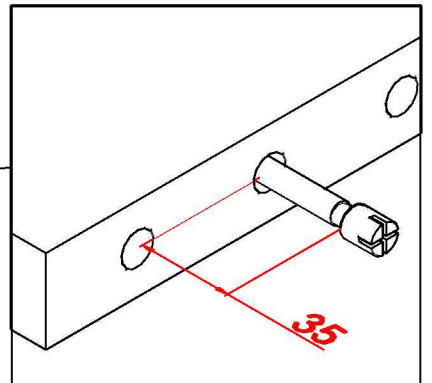
x 1


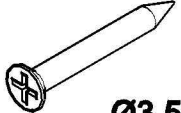


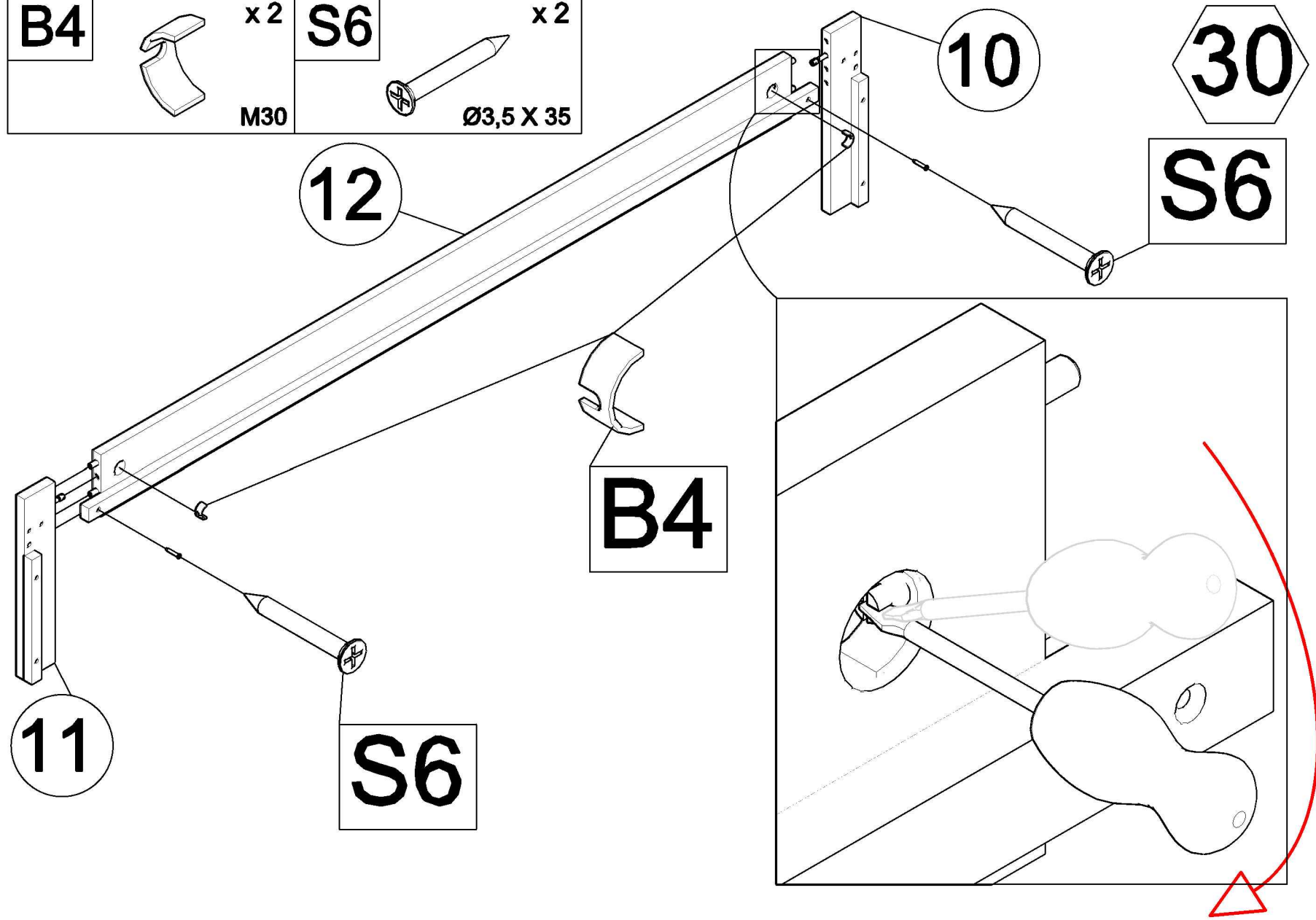
M6 X 50

11

J4



B4		x 2	S6		x 2
		M30		Ø3,5 X 35	



11

12

10

30

B4

S6

S6

J7



M6 X 60

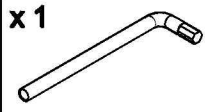
H4



Ø10/M6 X 13

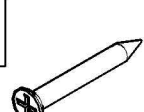
x 2

x 2



F2

S5



x 14

HEX 4 mm

Ø3,5 X 30

S5

24

x14

31

10

10

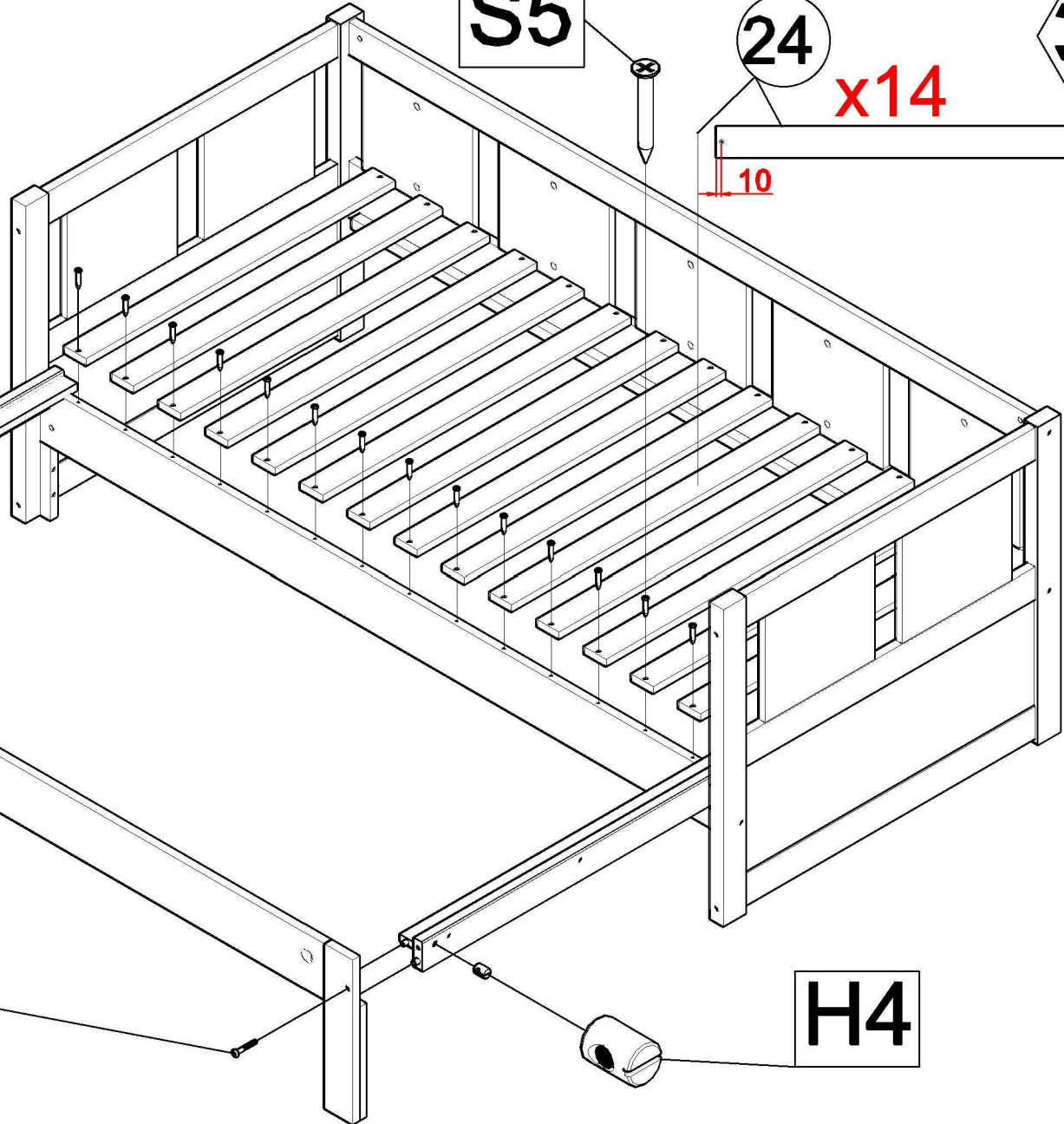
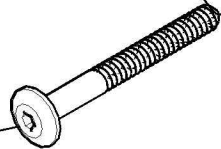
H4



20/26

H4

J7



S20

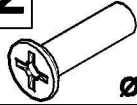
x 2



Ø3,5 X 20

E2

x 13



Ø6,3 X 24

32

S20

E2

S20

23

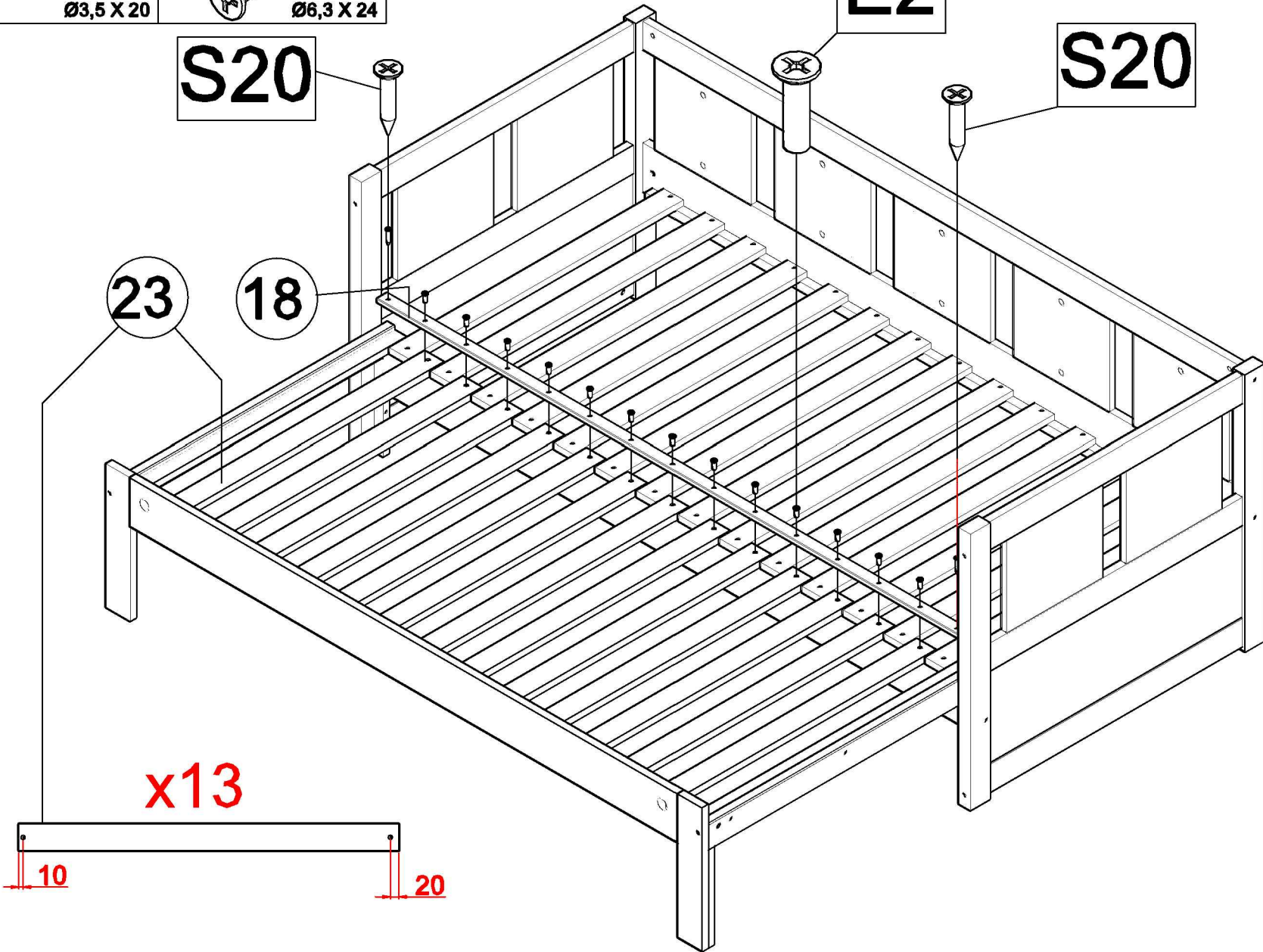
18

21/26

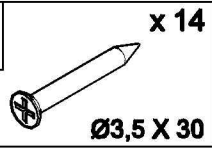
x13

10

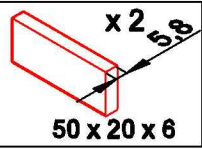
20



S5

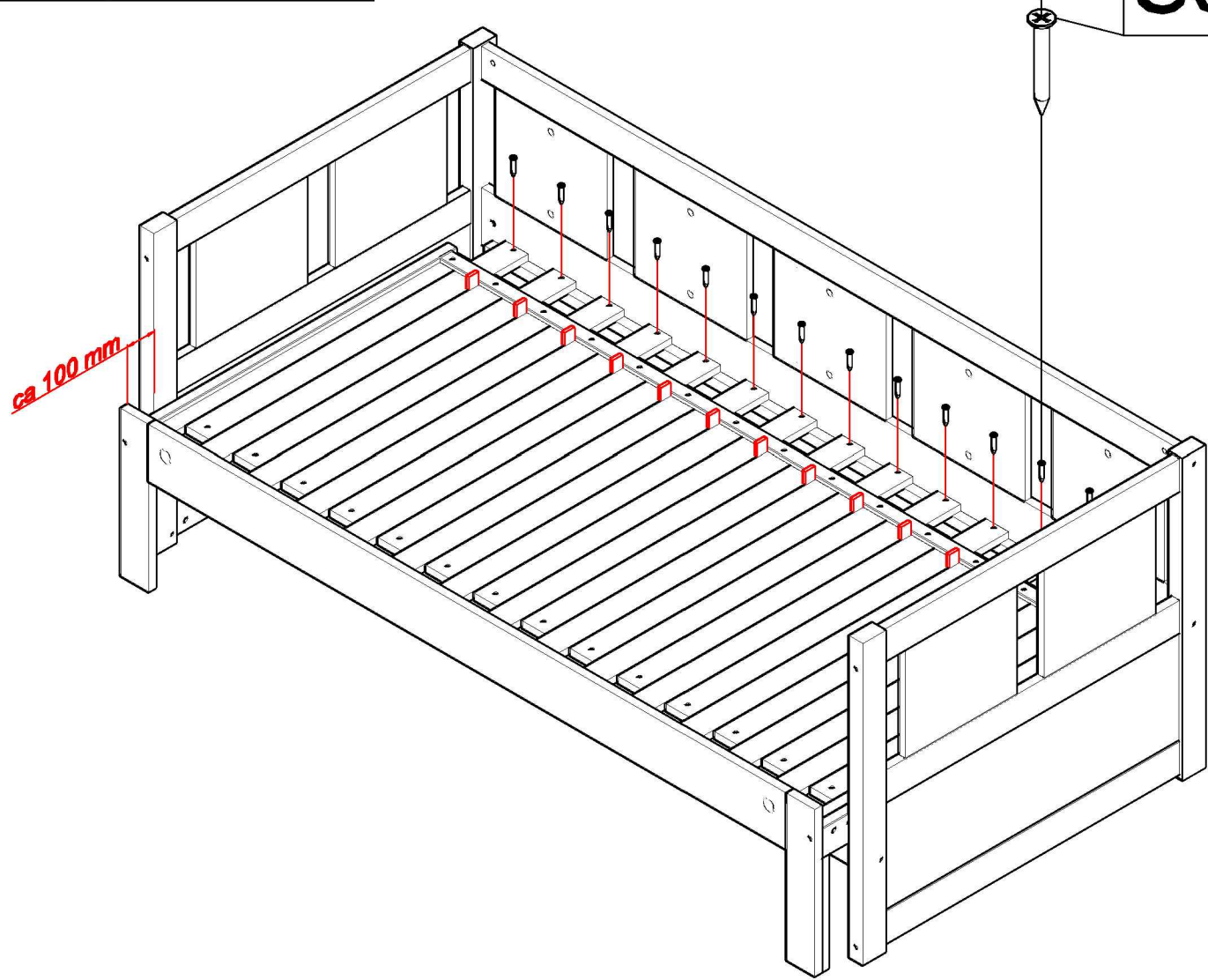


X1



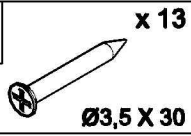
33

S5



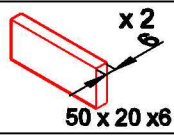
22/26

S5



x 13

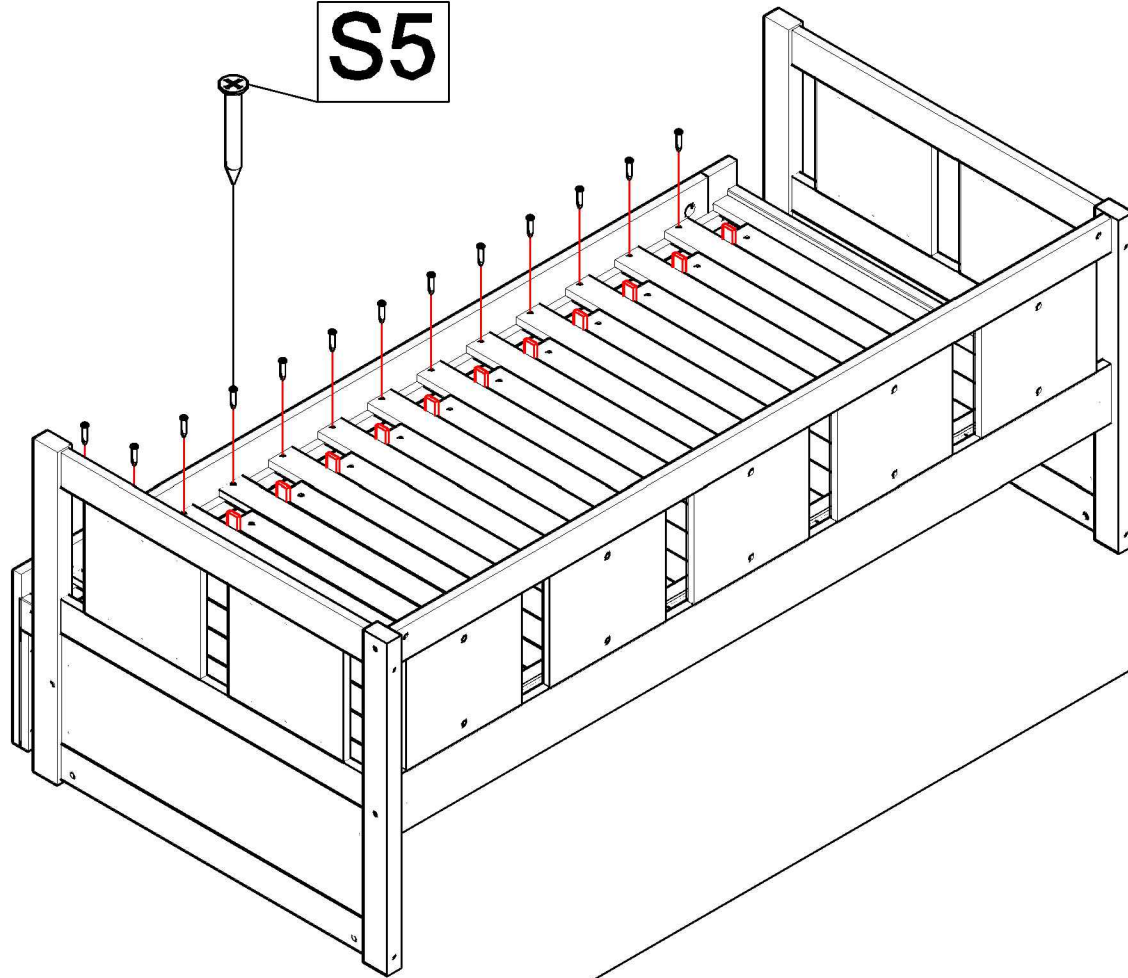
X1



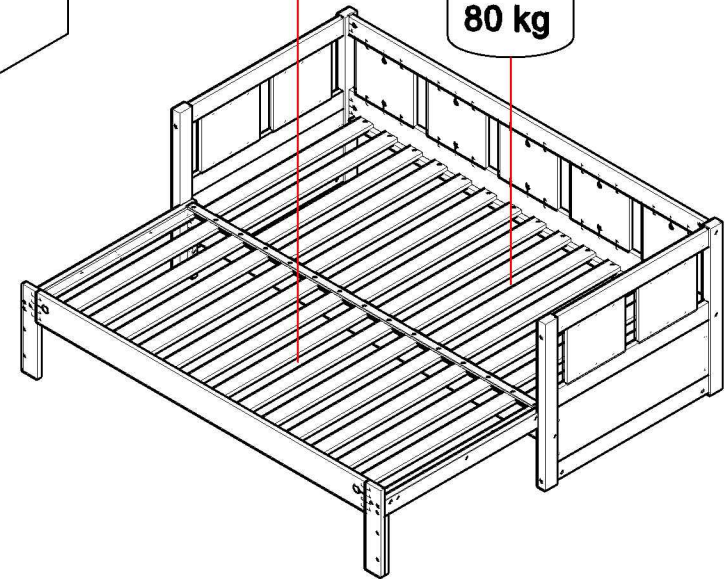
x 2

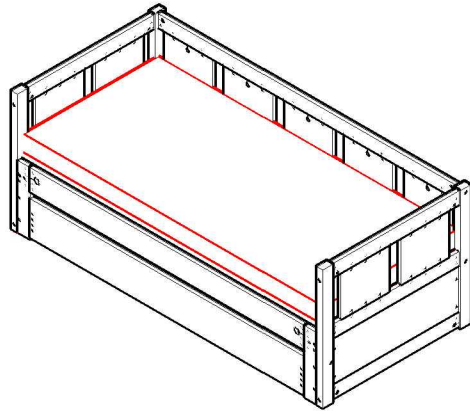
34

S5

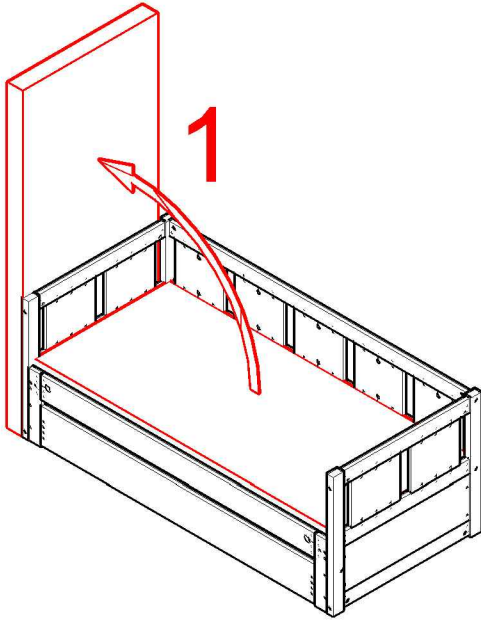


23/26

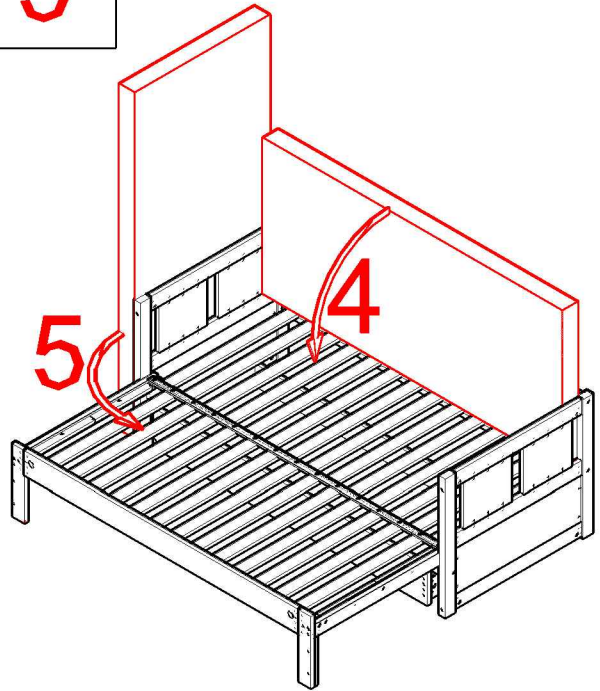




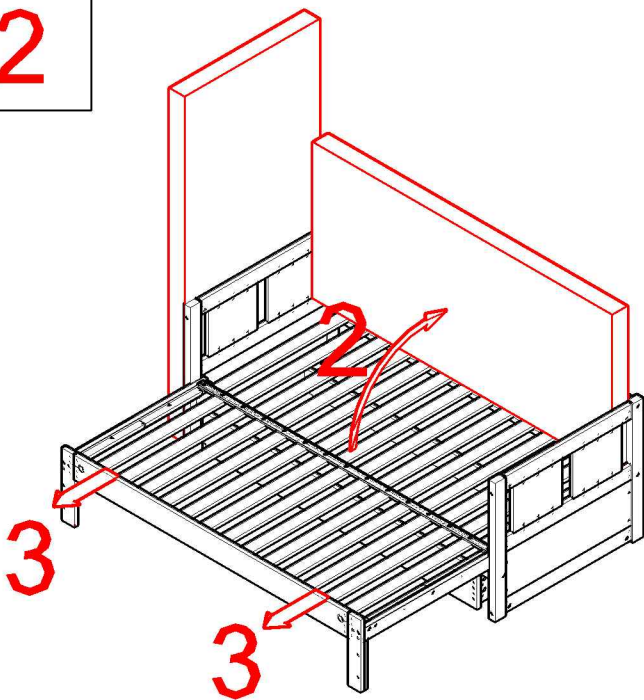
1



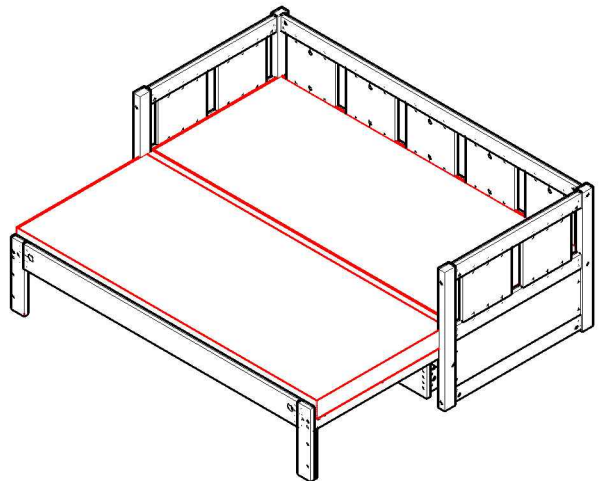
3

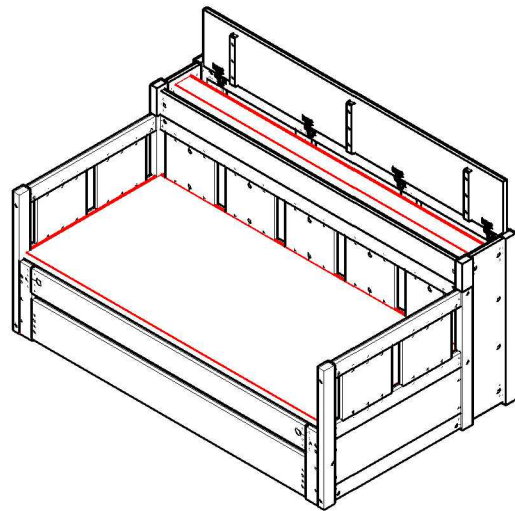


2

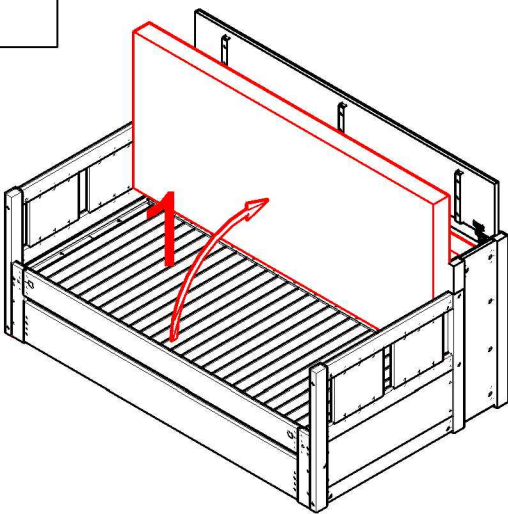


4

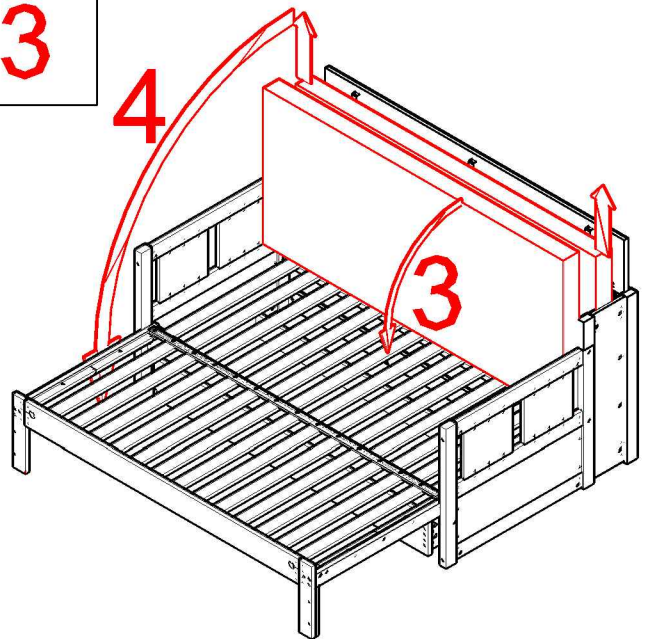




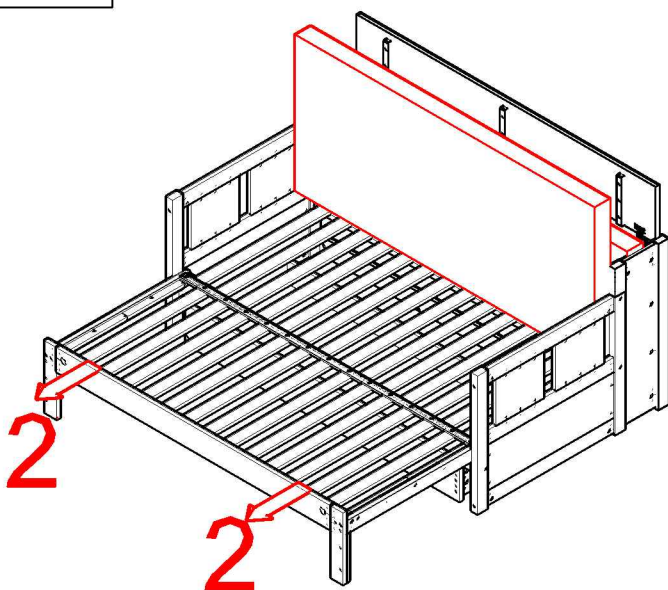
1



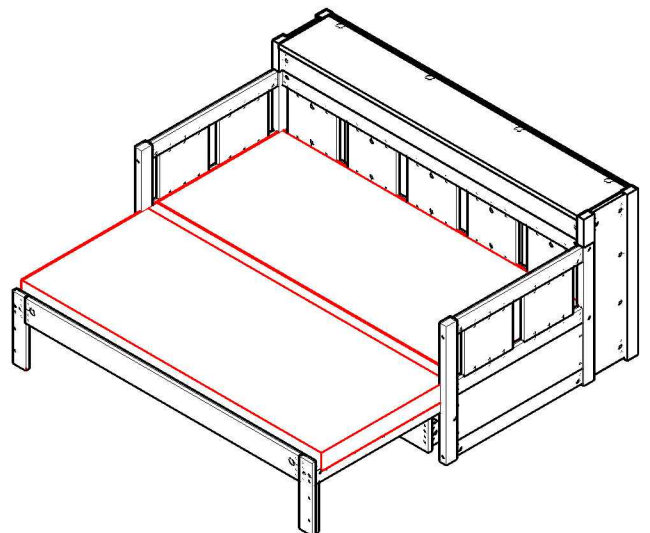
3

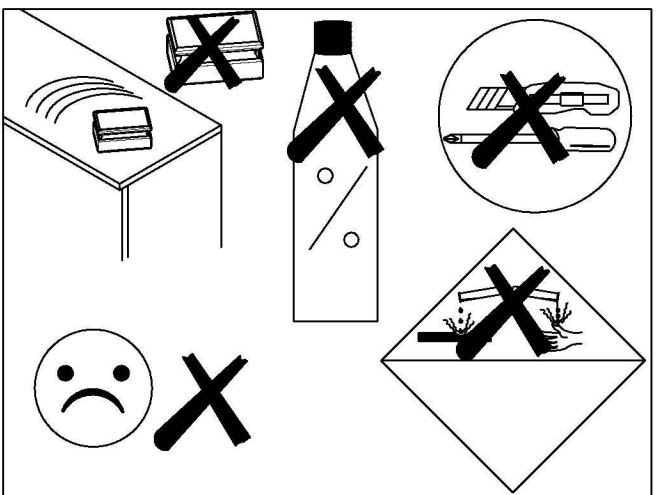
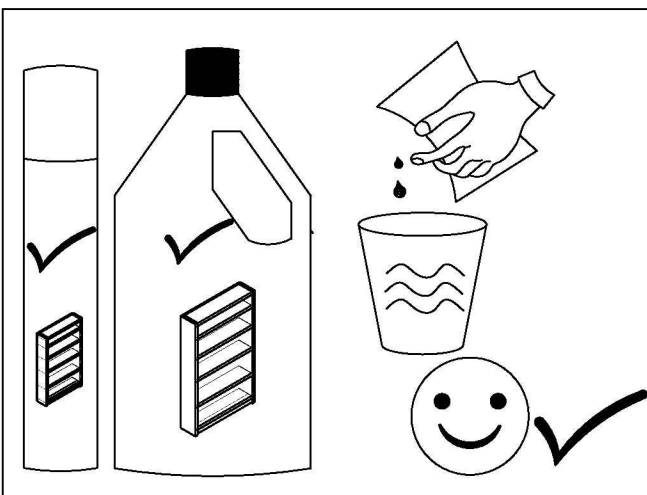
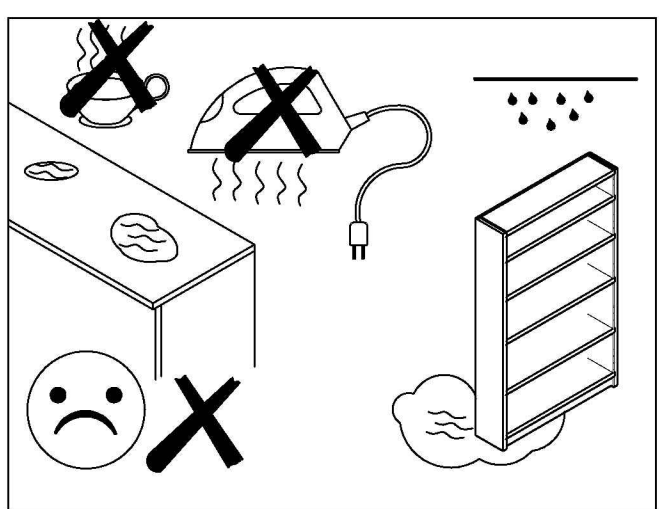
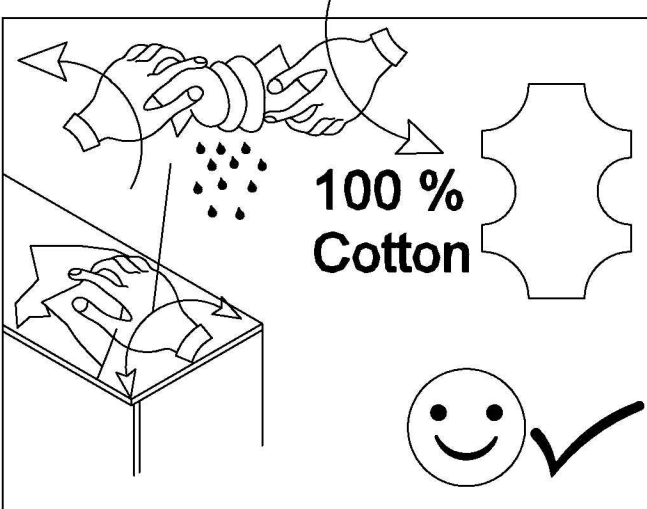
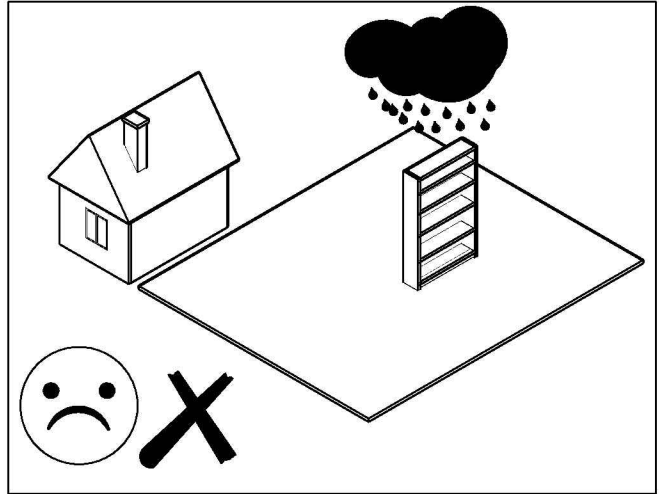
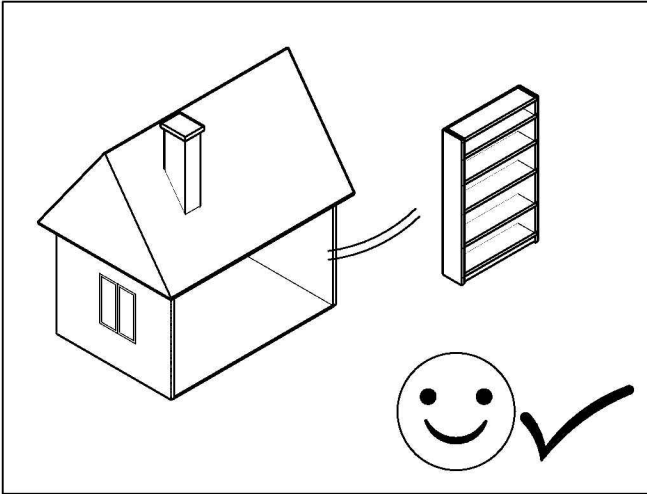
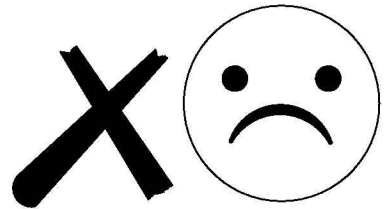
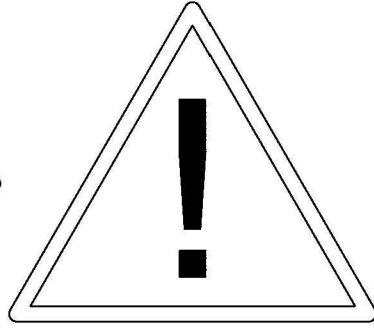


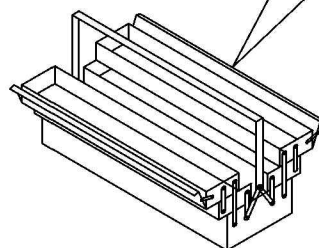
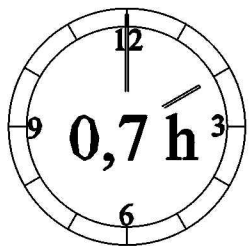
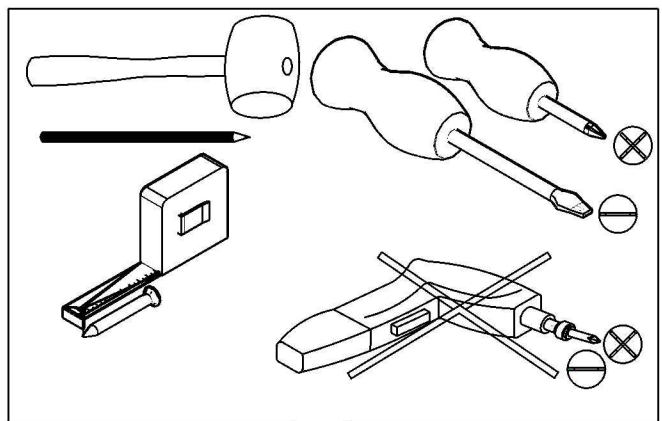
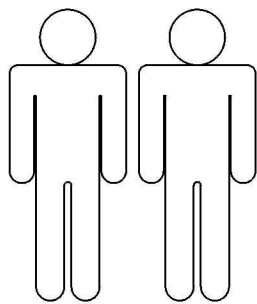
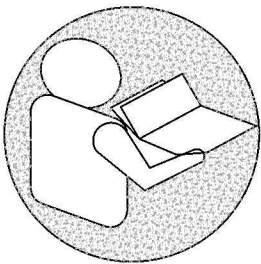
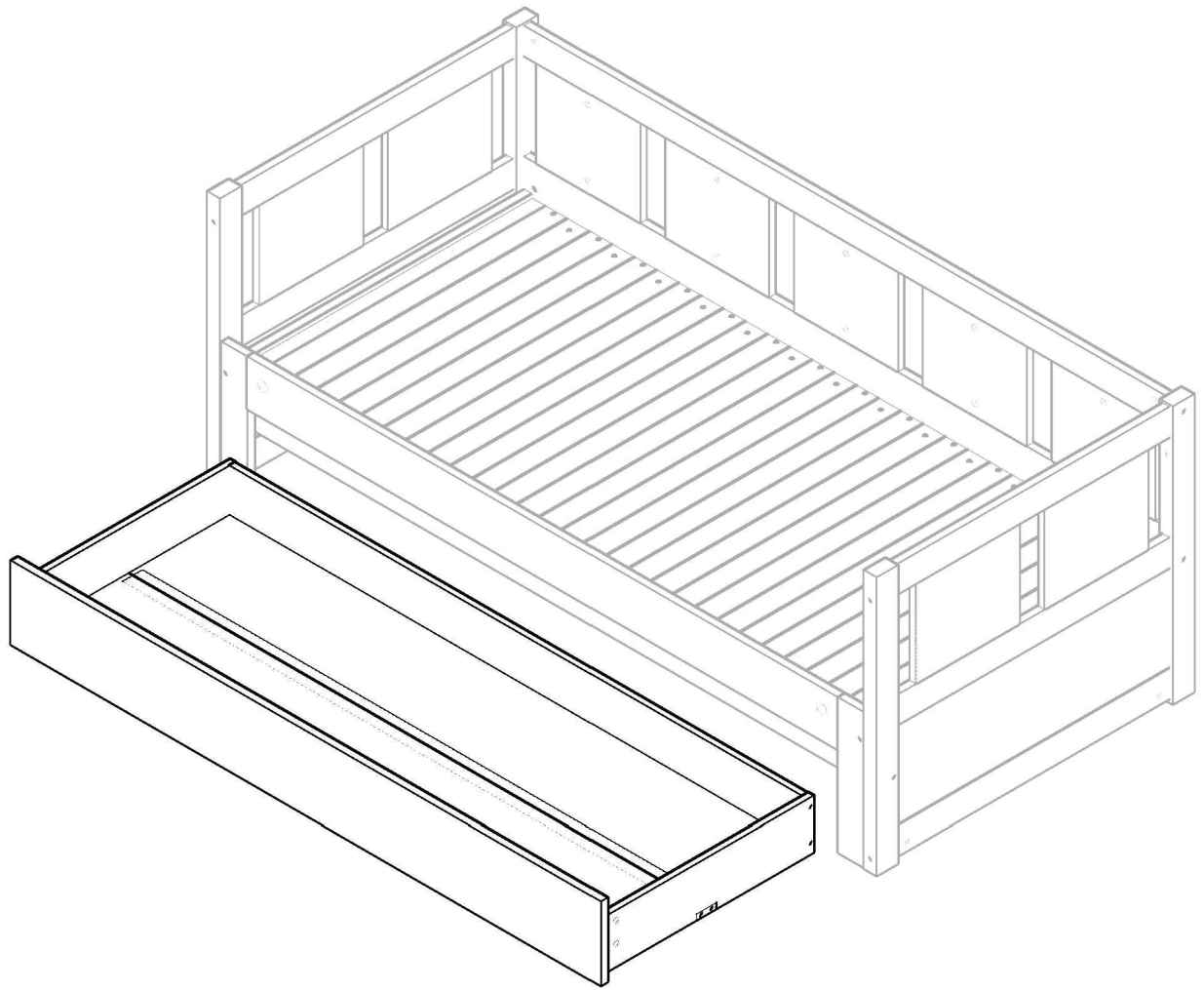
2

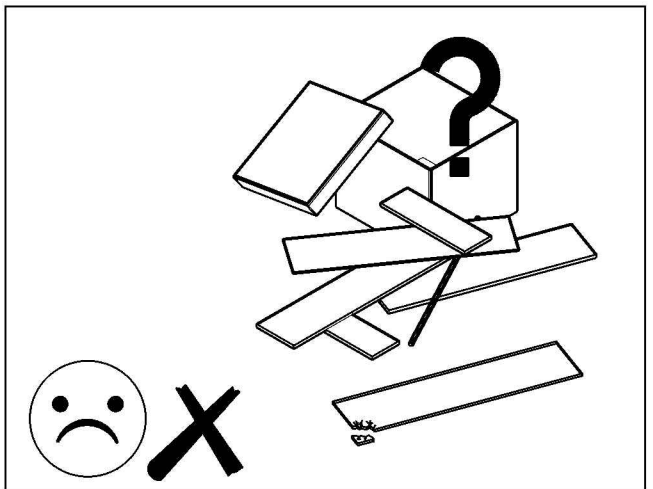
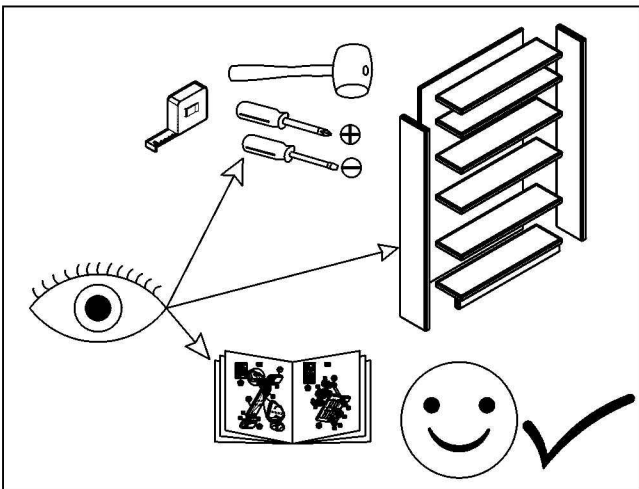
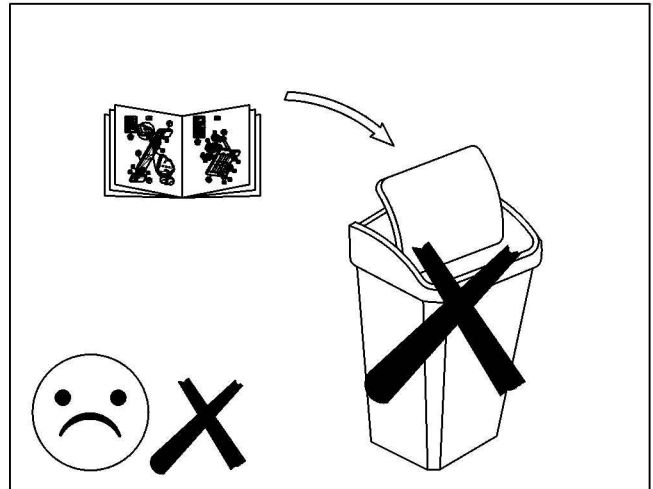
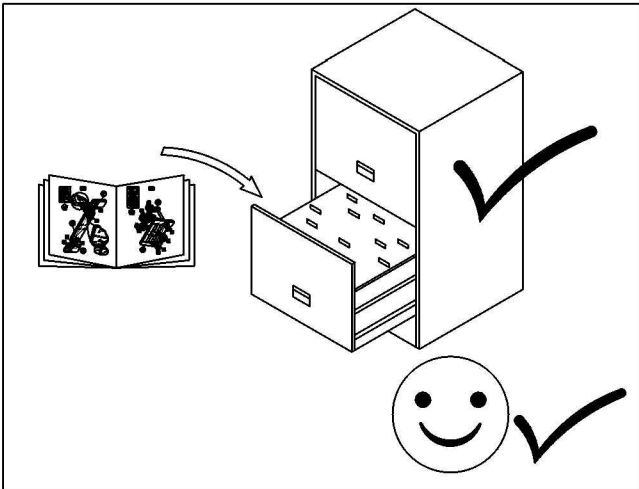
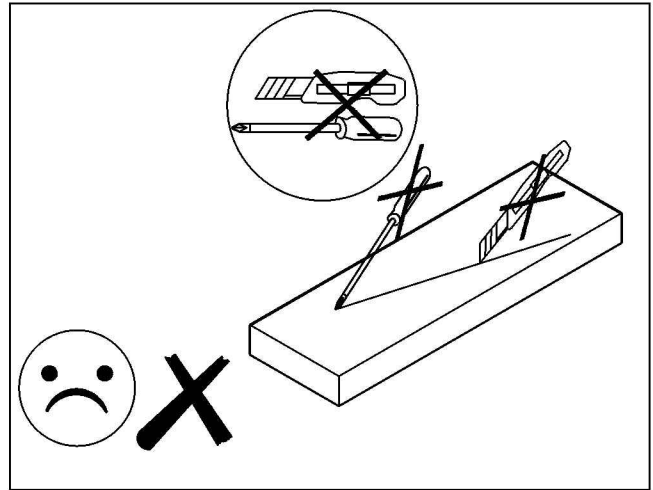
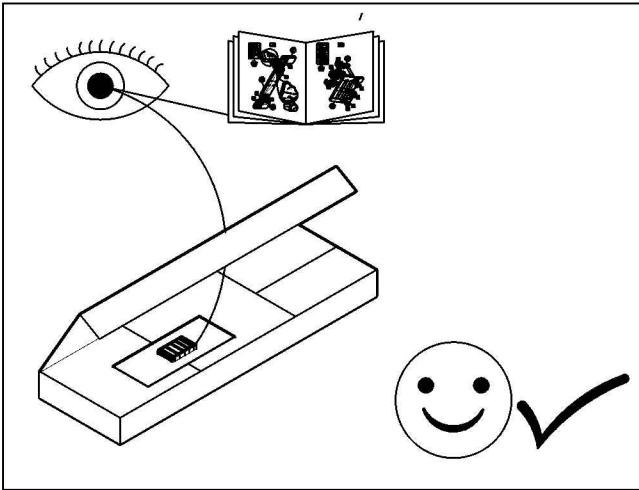
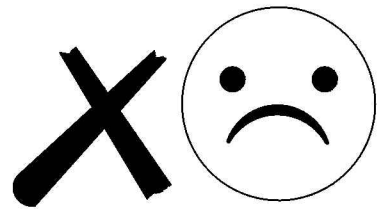
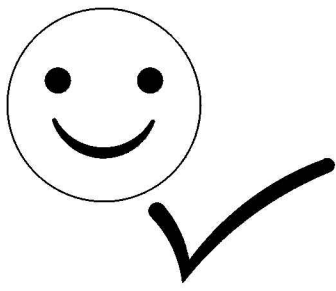


4

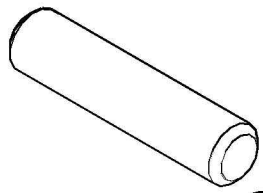








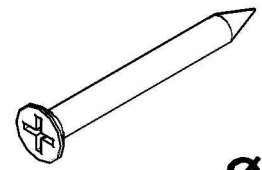
K1



x 6

Ø8 x 35

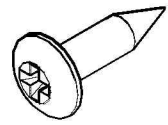
S6



x 4

Ø3,5 x 35

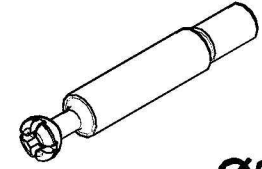
S3



x 12

Ø3,5 x 16

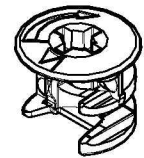
M1



x 4

Ø6,3 x 30

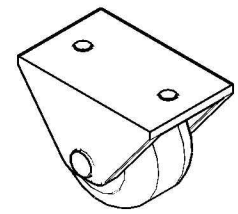
M2



x 4

Ø15

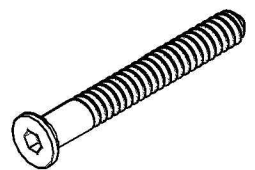
R1



x 6

Ø30

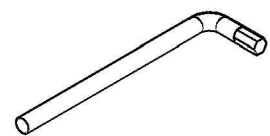
C5



x 4

Ø7 x 50

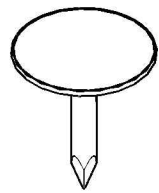
F2



x 1

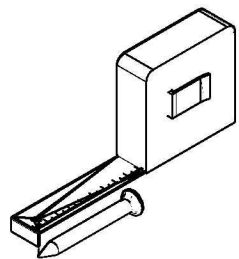
HEX 4 mm

E5

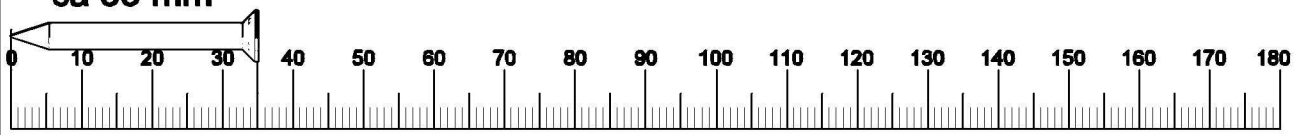


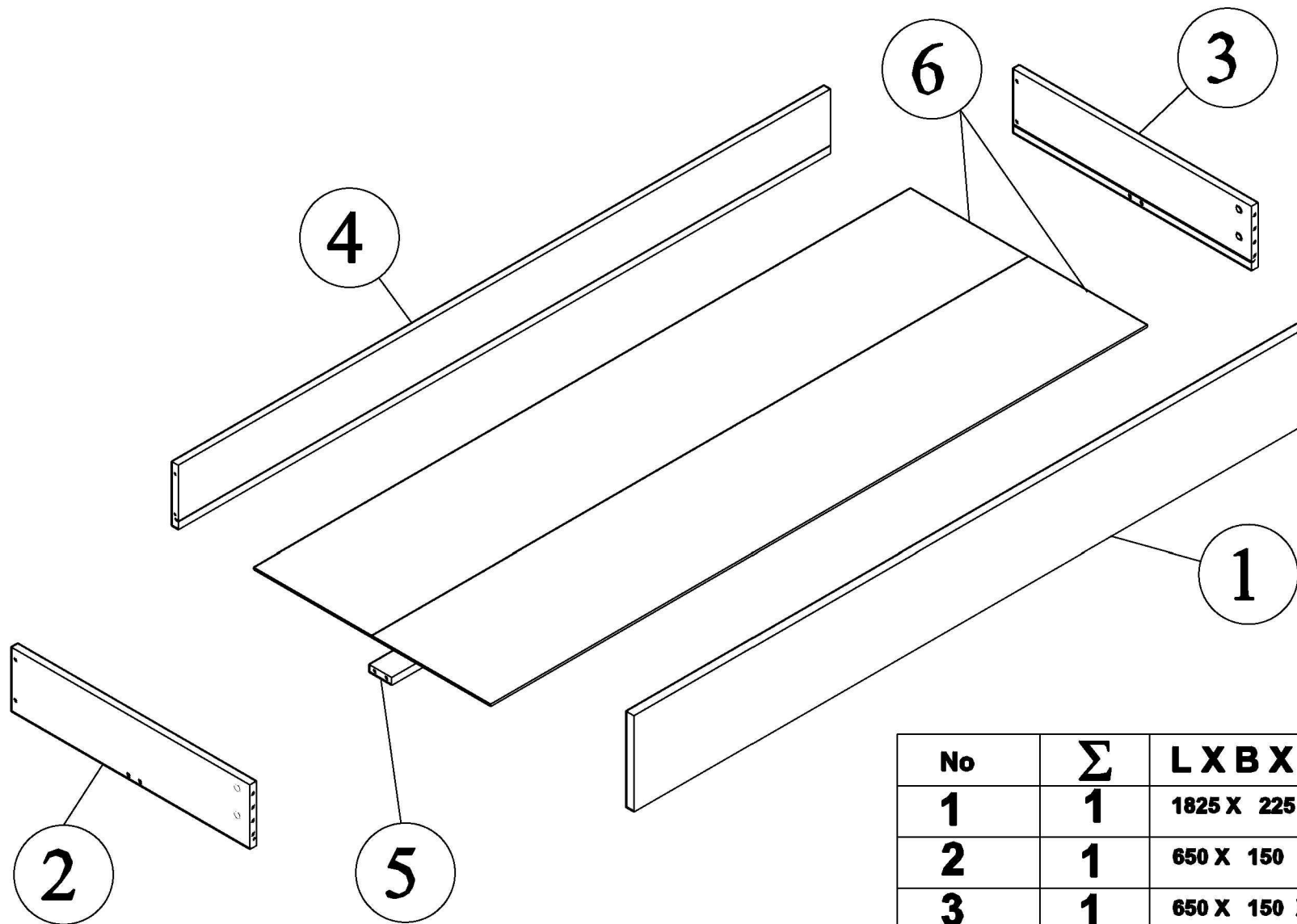
x 7

Ø1,5 x 13

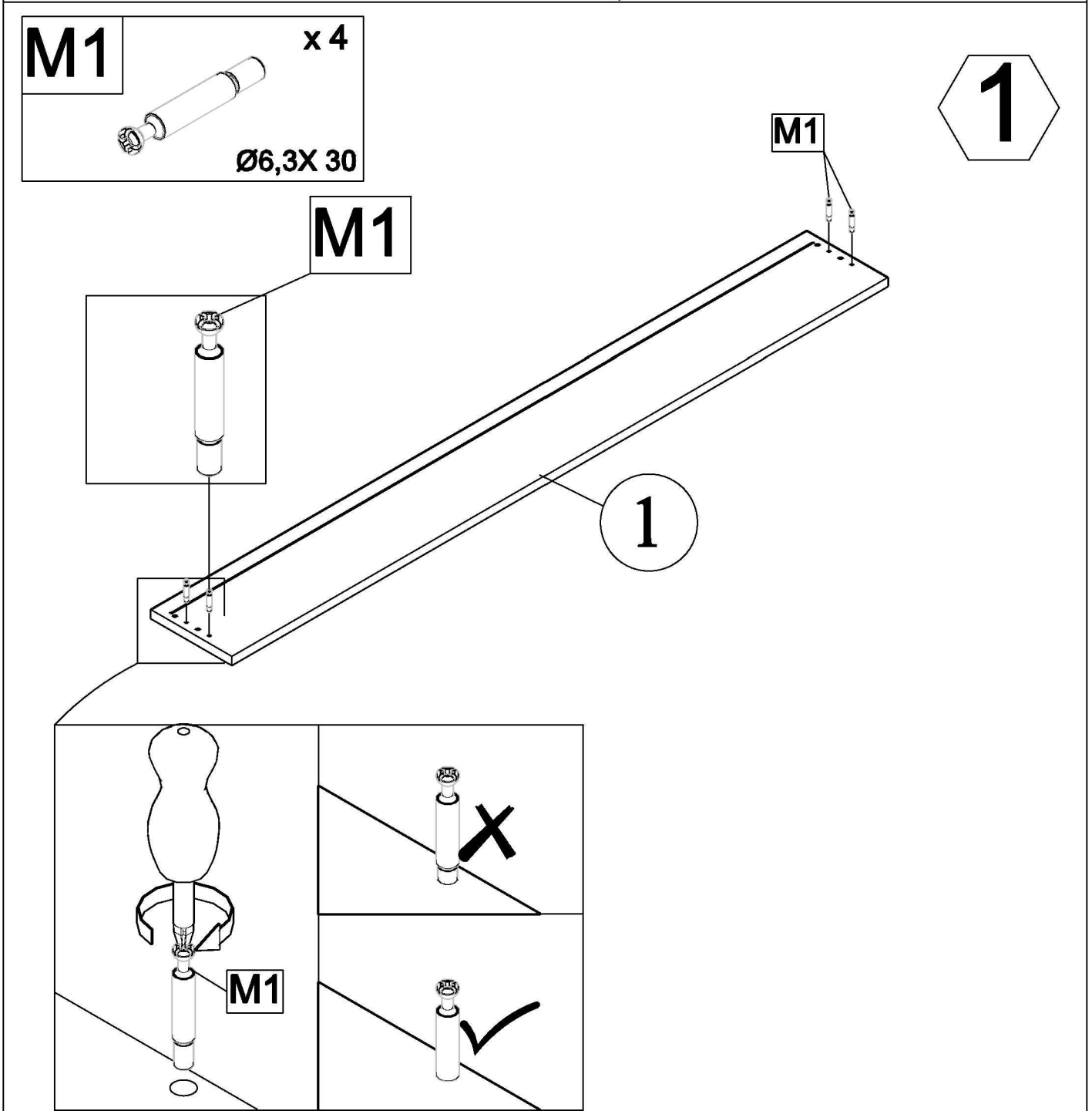
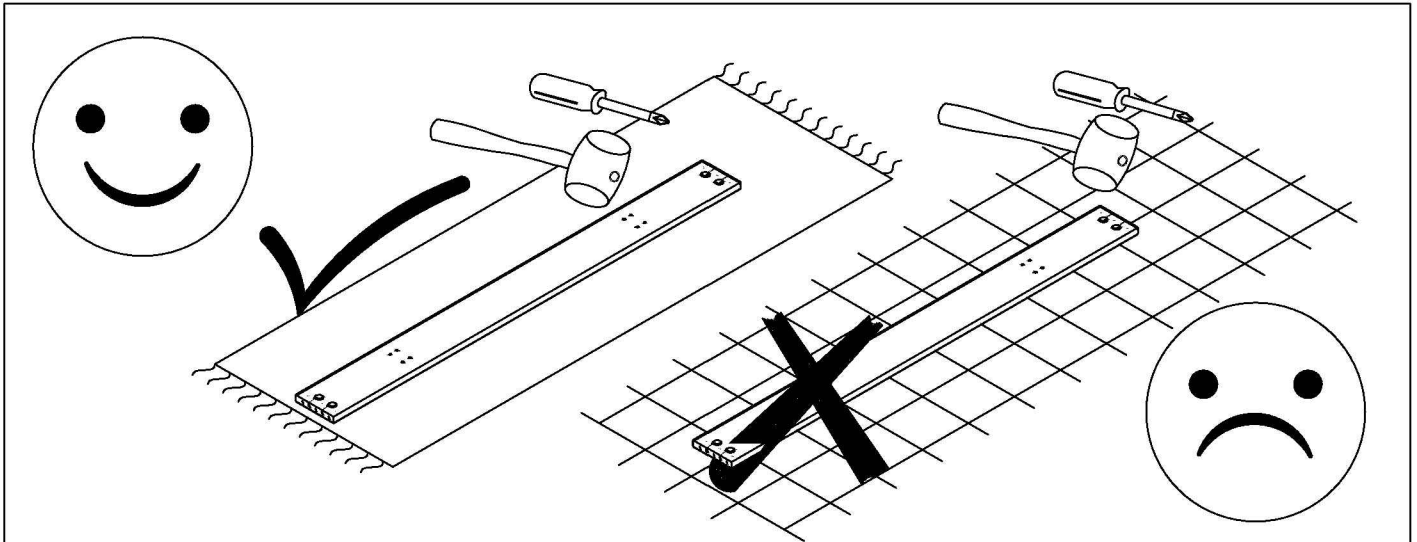


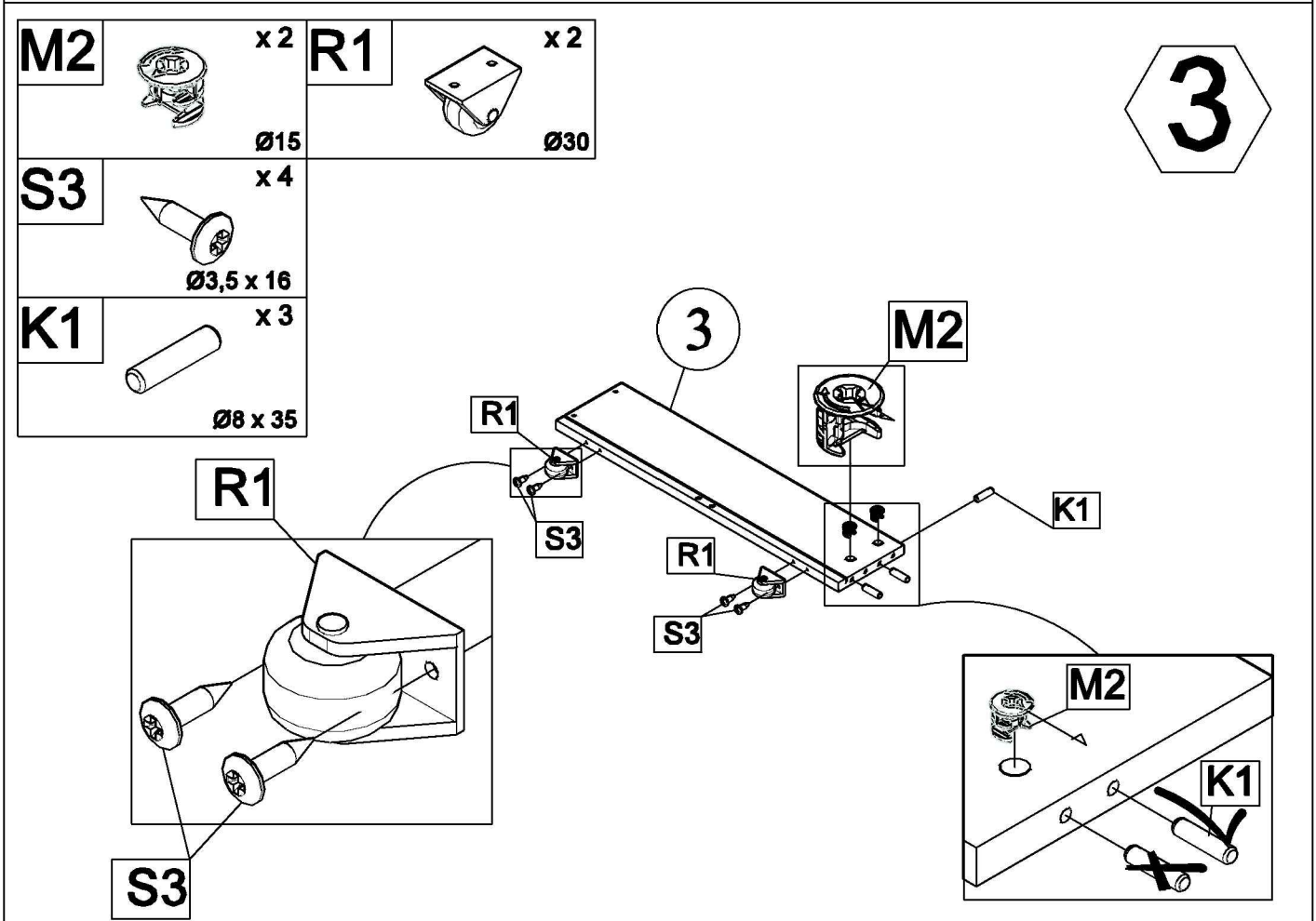
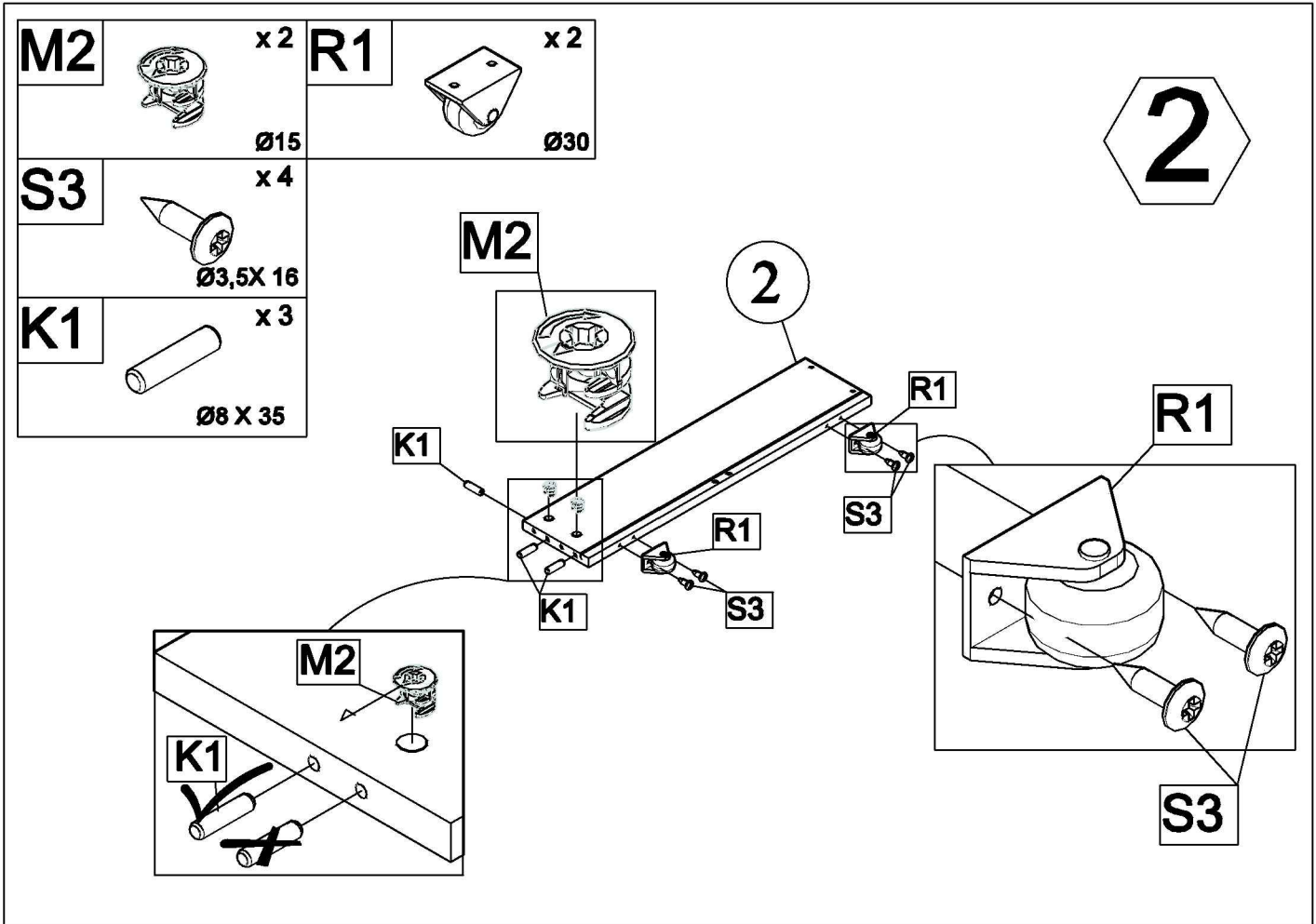
ca 35 mm



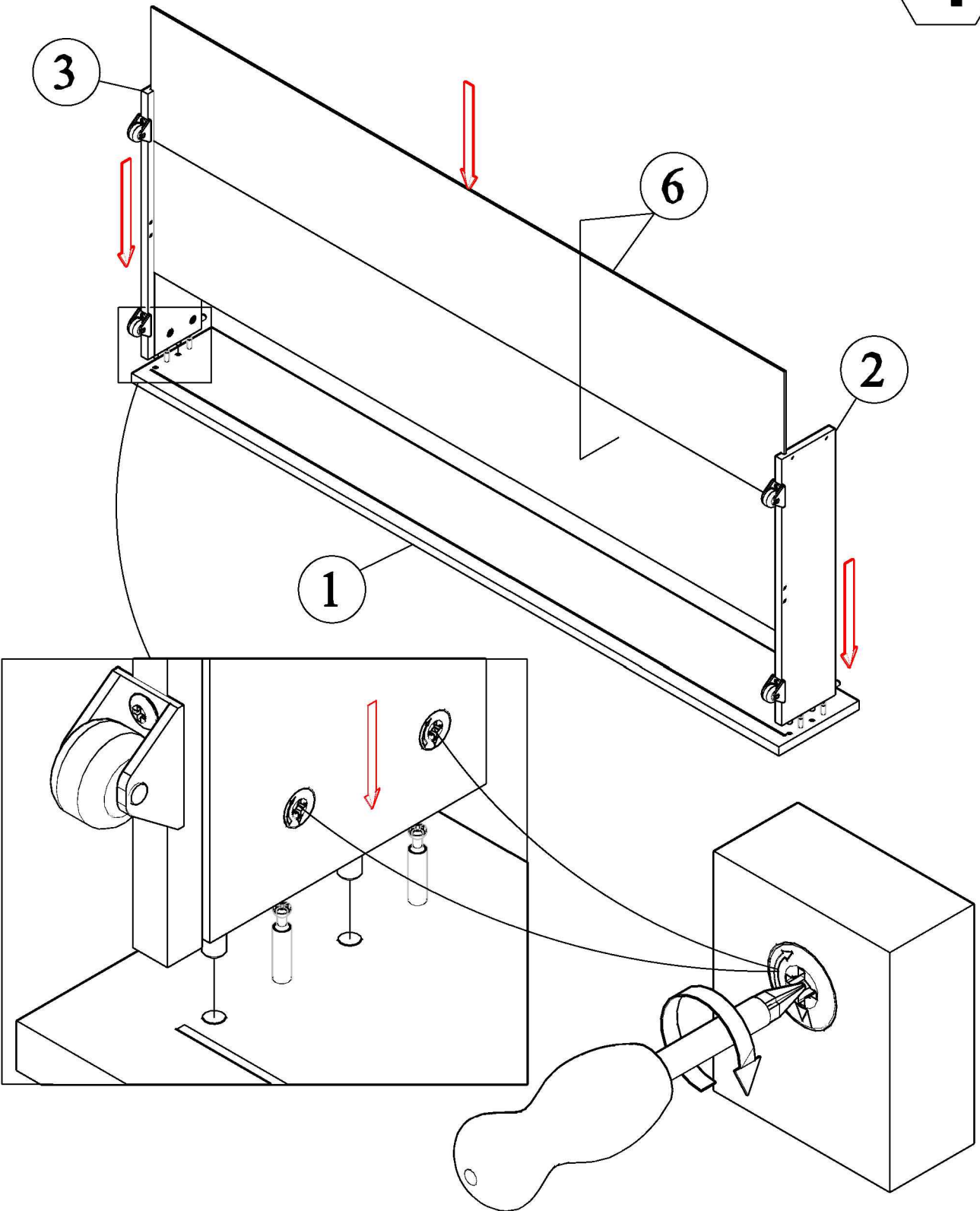


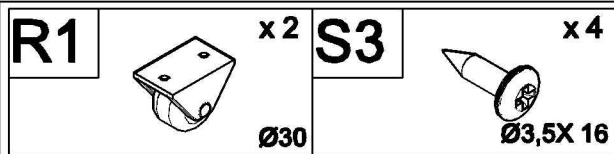
No	Σ	L X B X T (MM)	✓
1	1	1825 X 225 X 20	
2	1	650 X 150 X 16	
3	1	650 X 150 X 16	
4	1	1778 X 150 X 16	
5	1	1778 X 60 X 16	
6	2	1790 X 322 X 3	



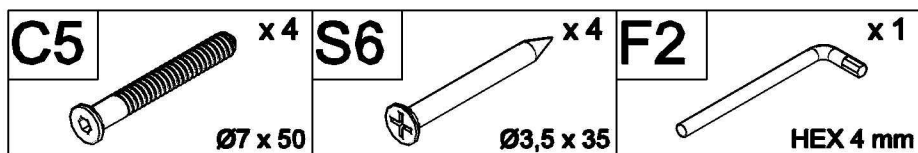
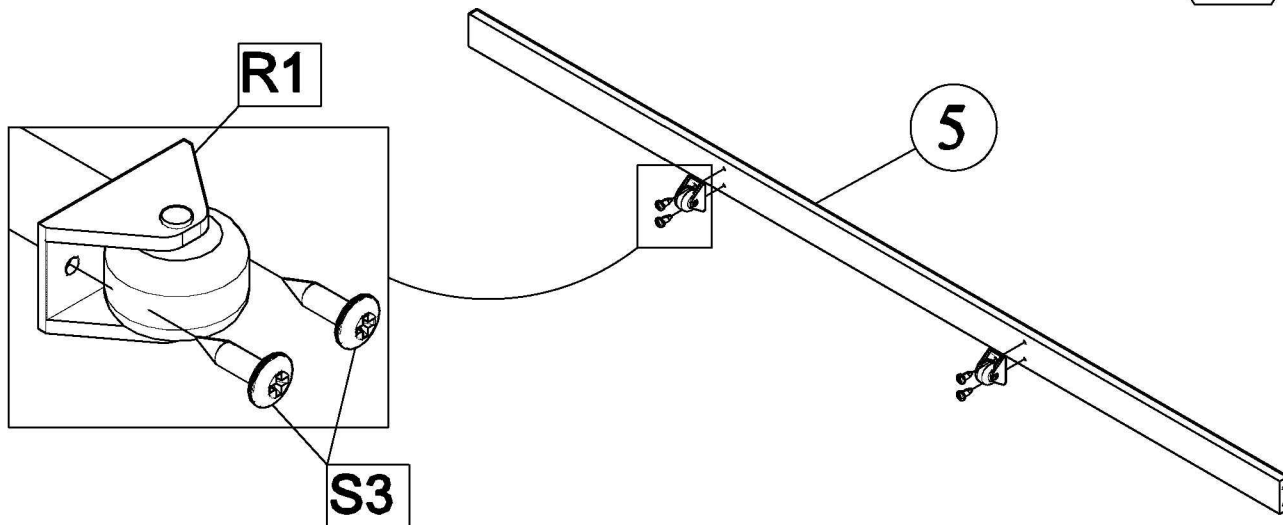


4

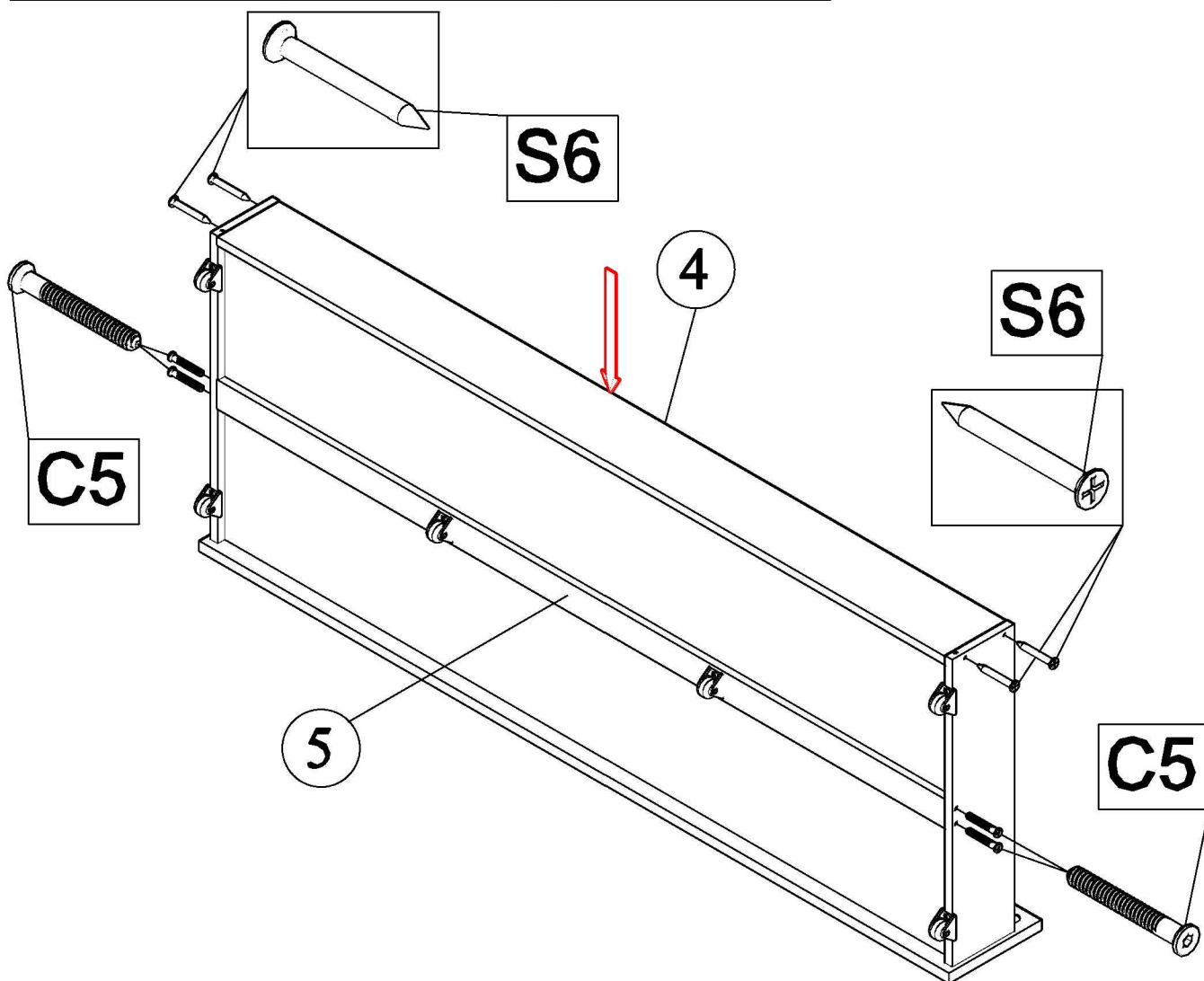




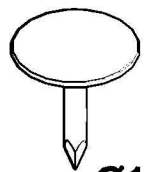
5



6



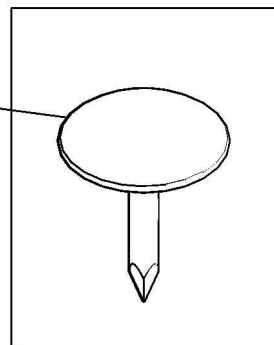
E5



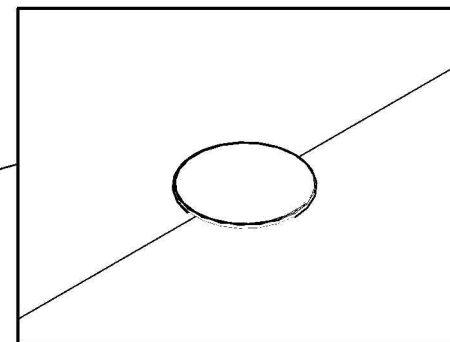
x 7

Ø1,5 x 13

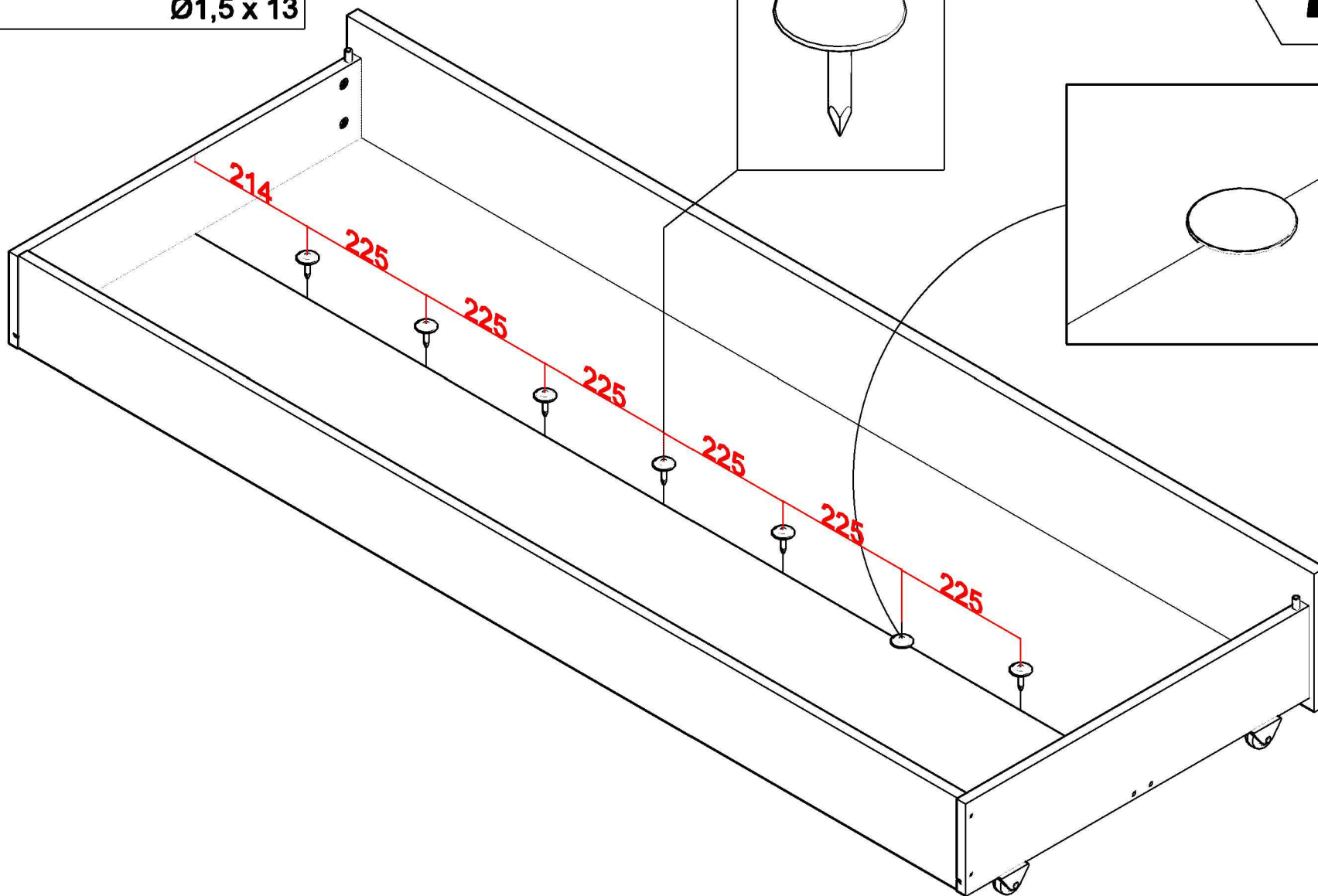
E5



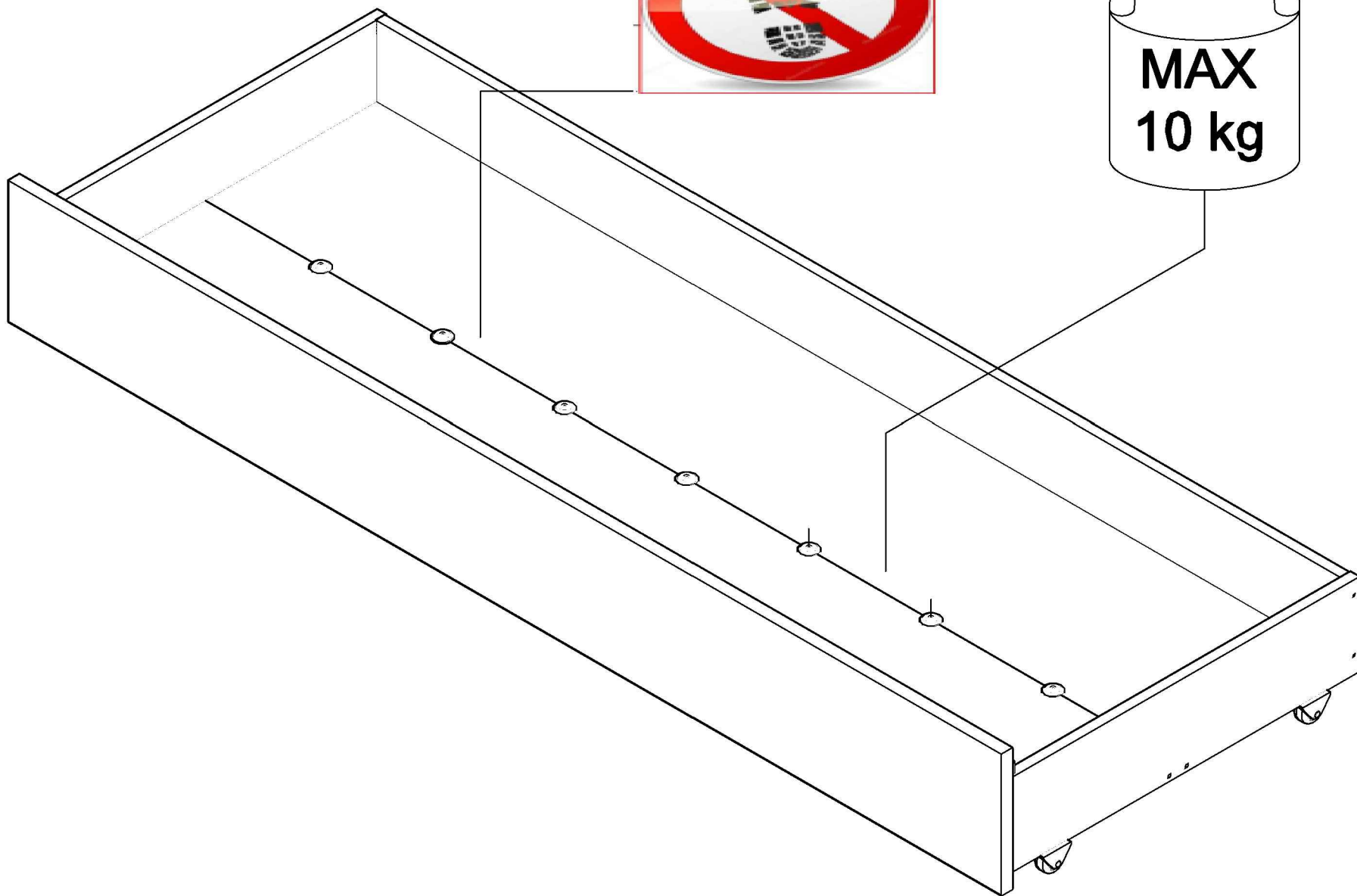
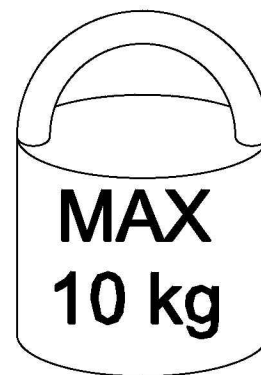
7

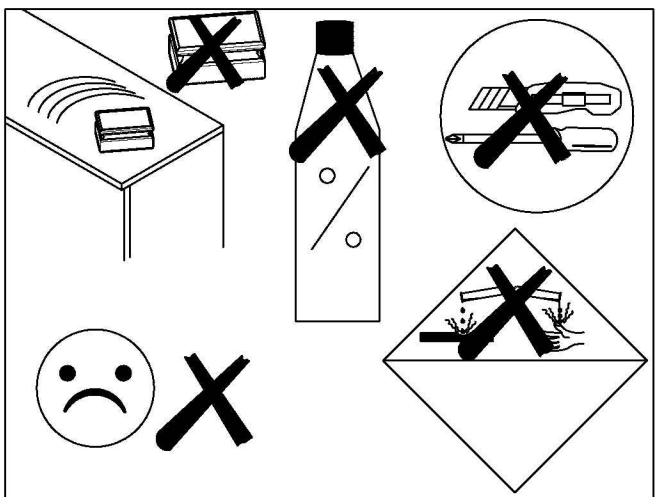
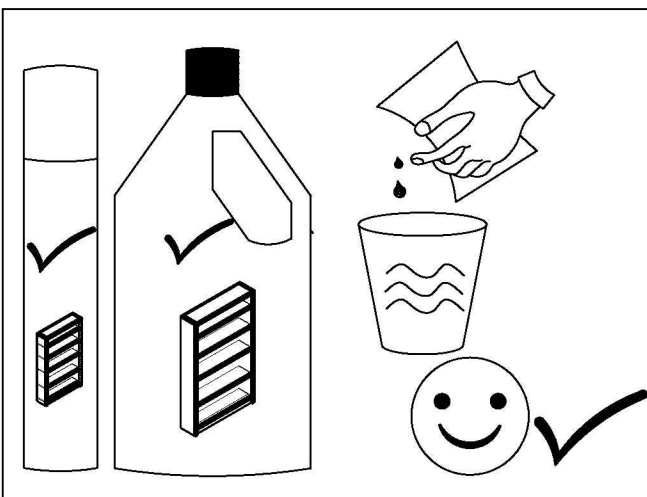
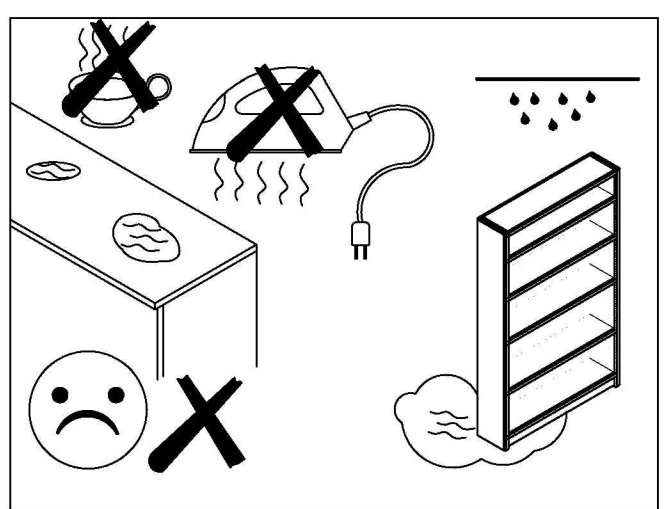
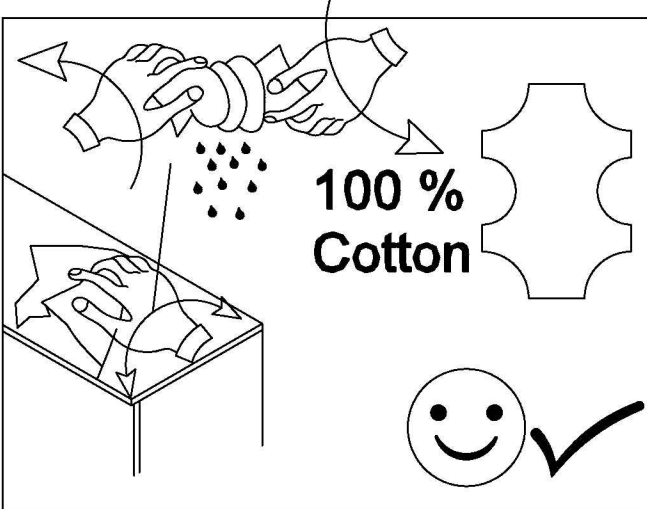
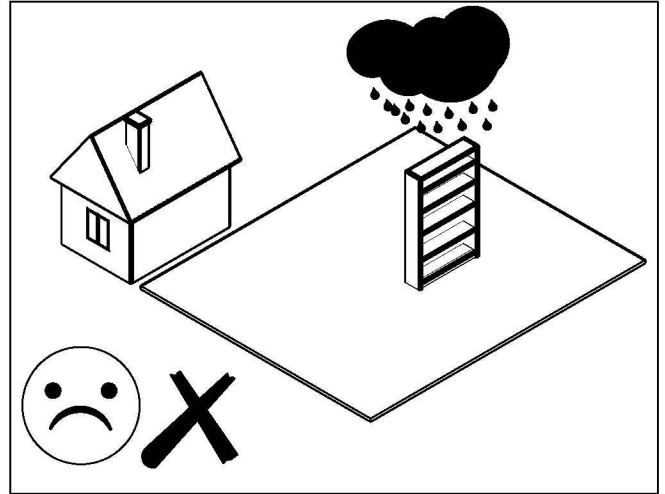
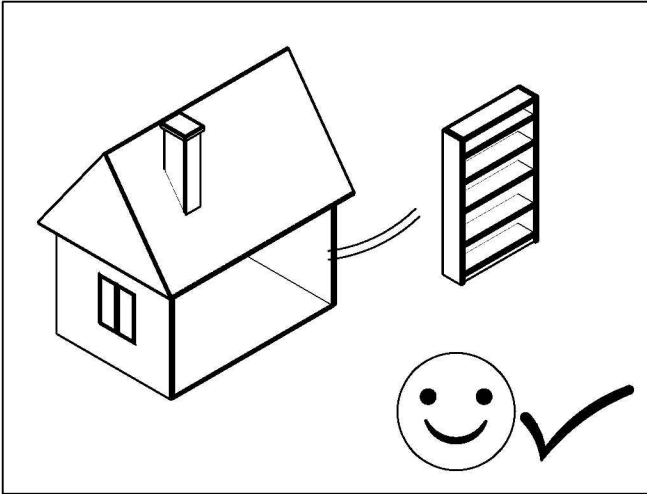
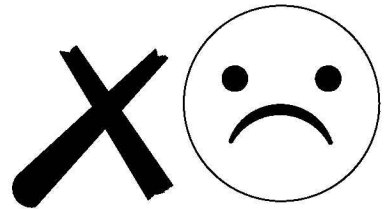
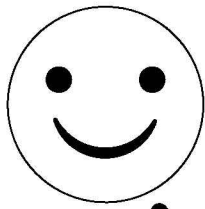


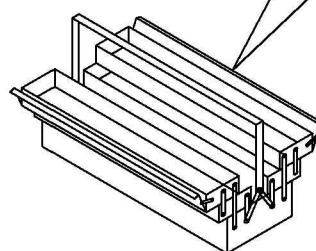
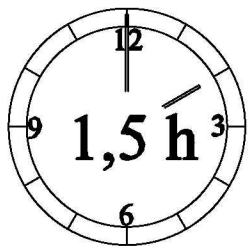
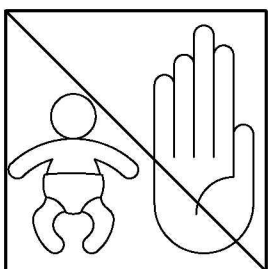
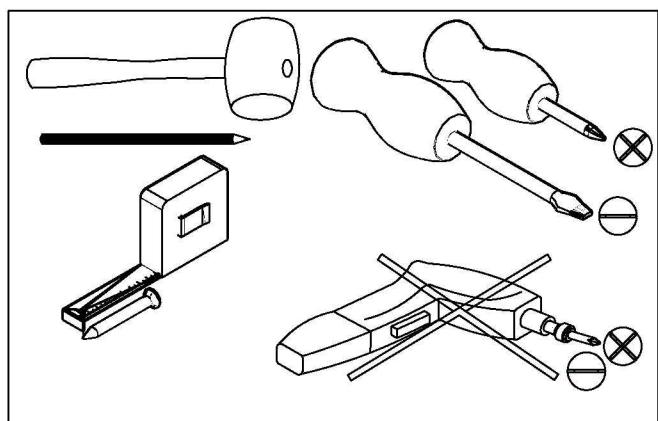
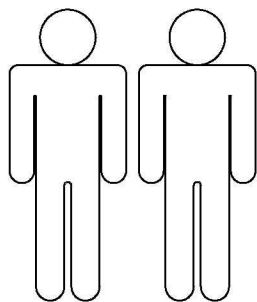
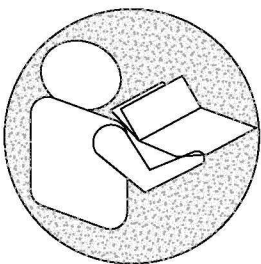
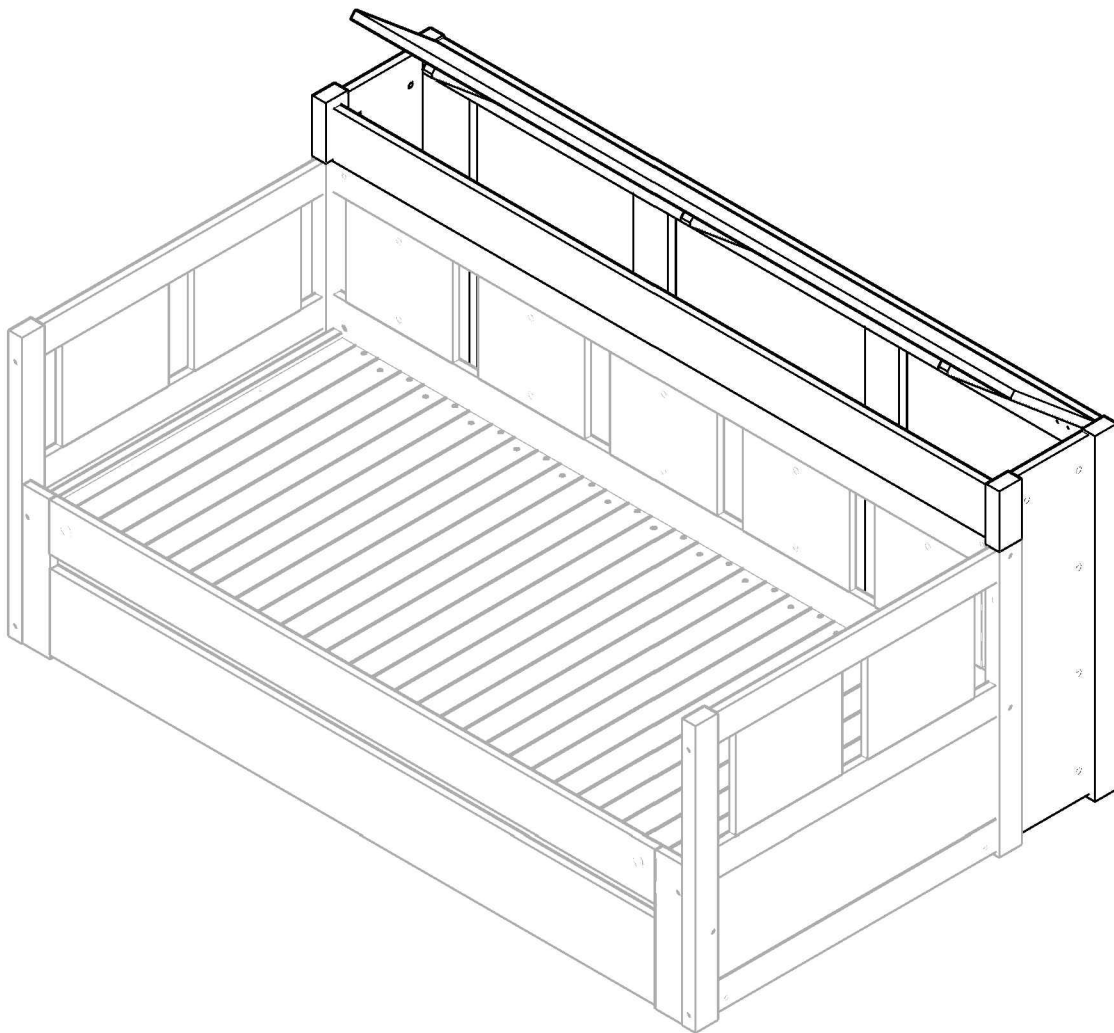
9/11

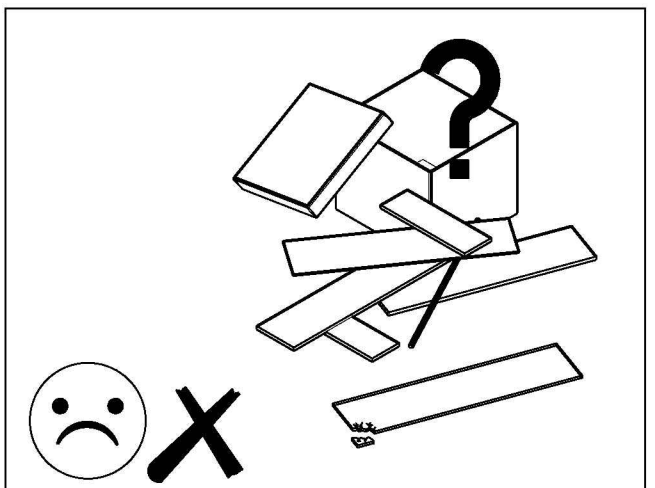
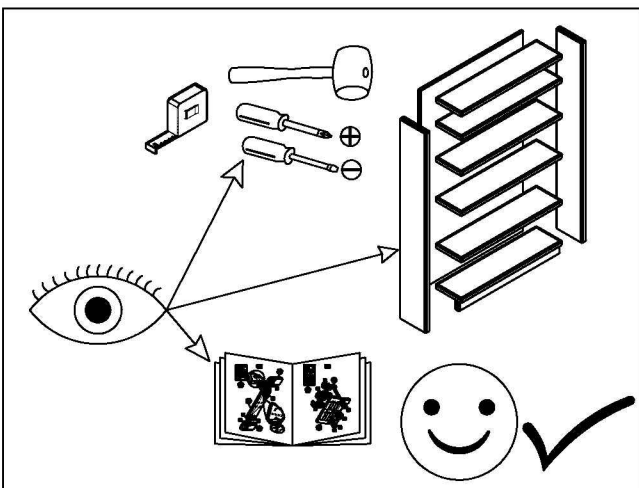
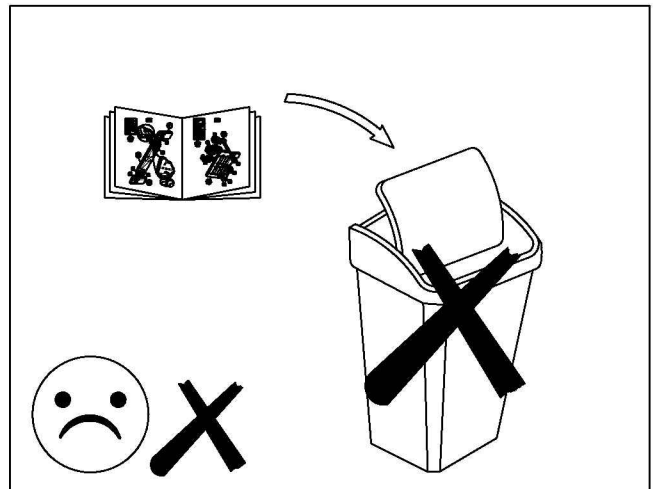
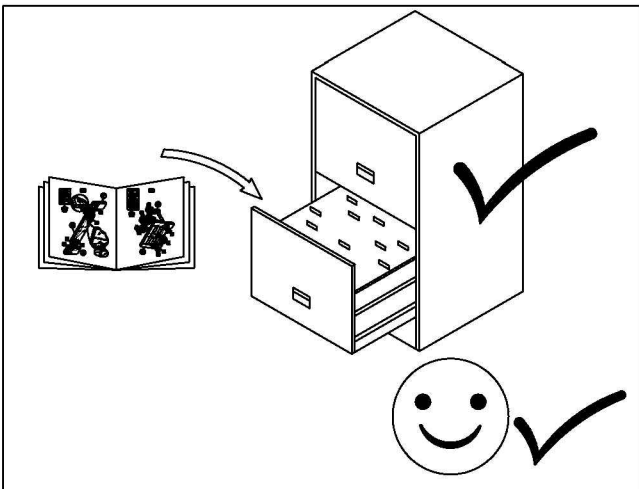
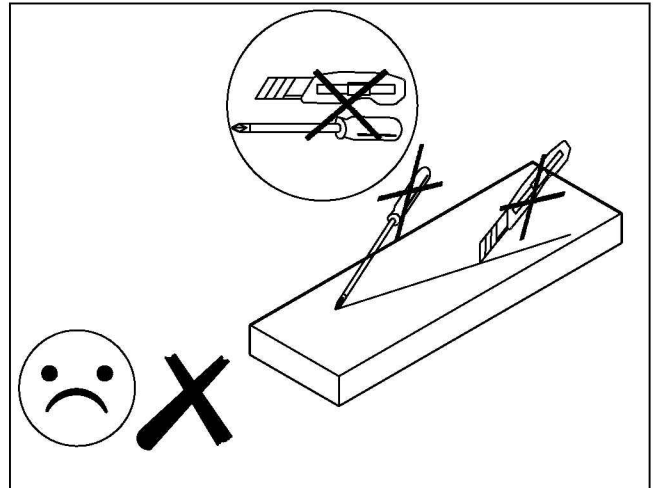
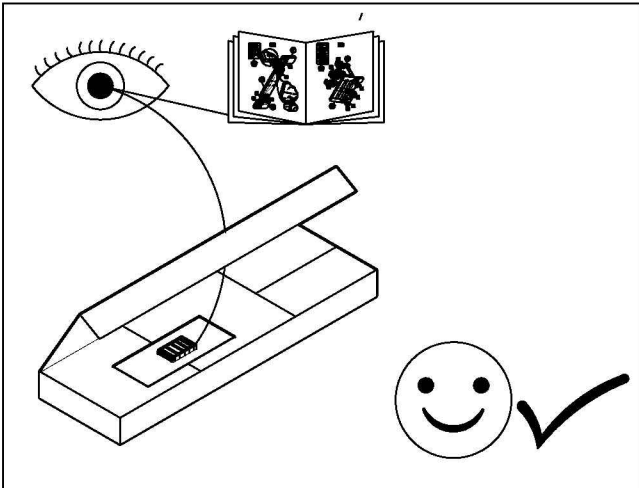
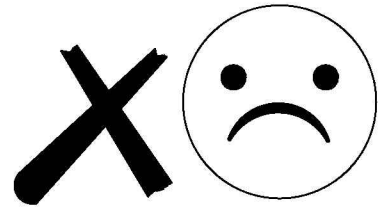
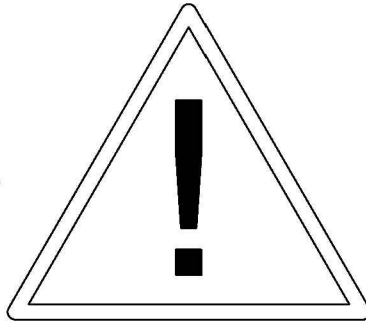
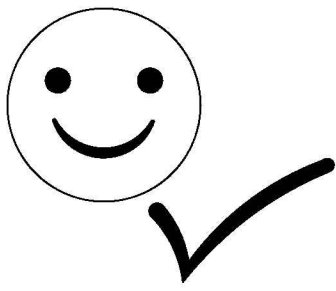


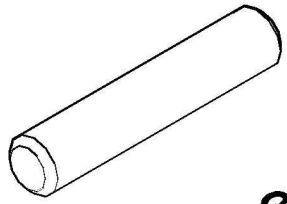
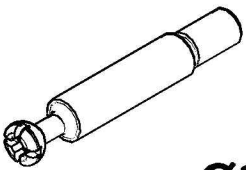
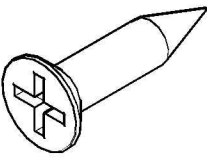
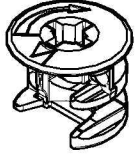
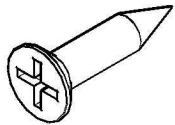
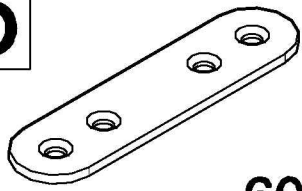
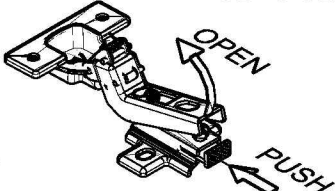


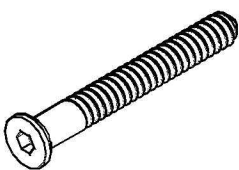
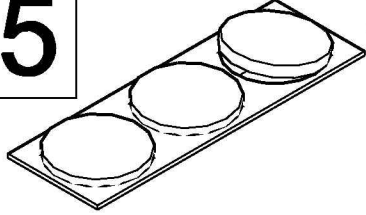
10/11

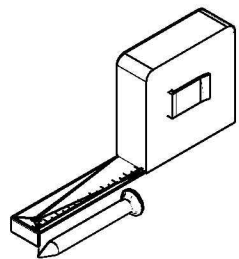




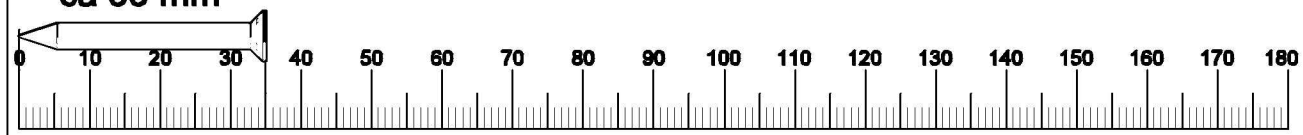


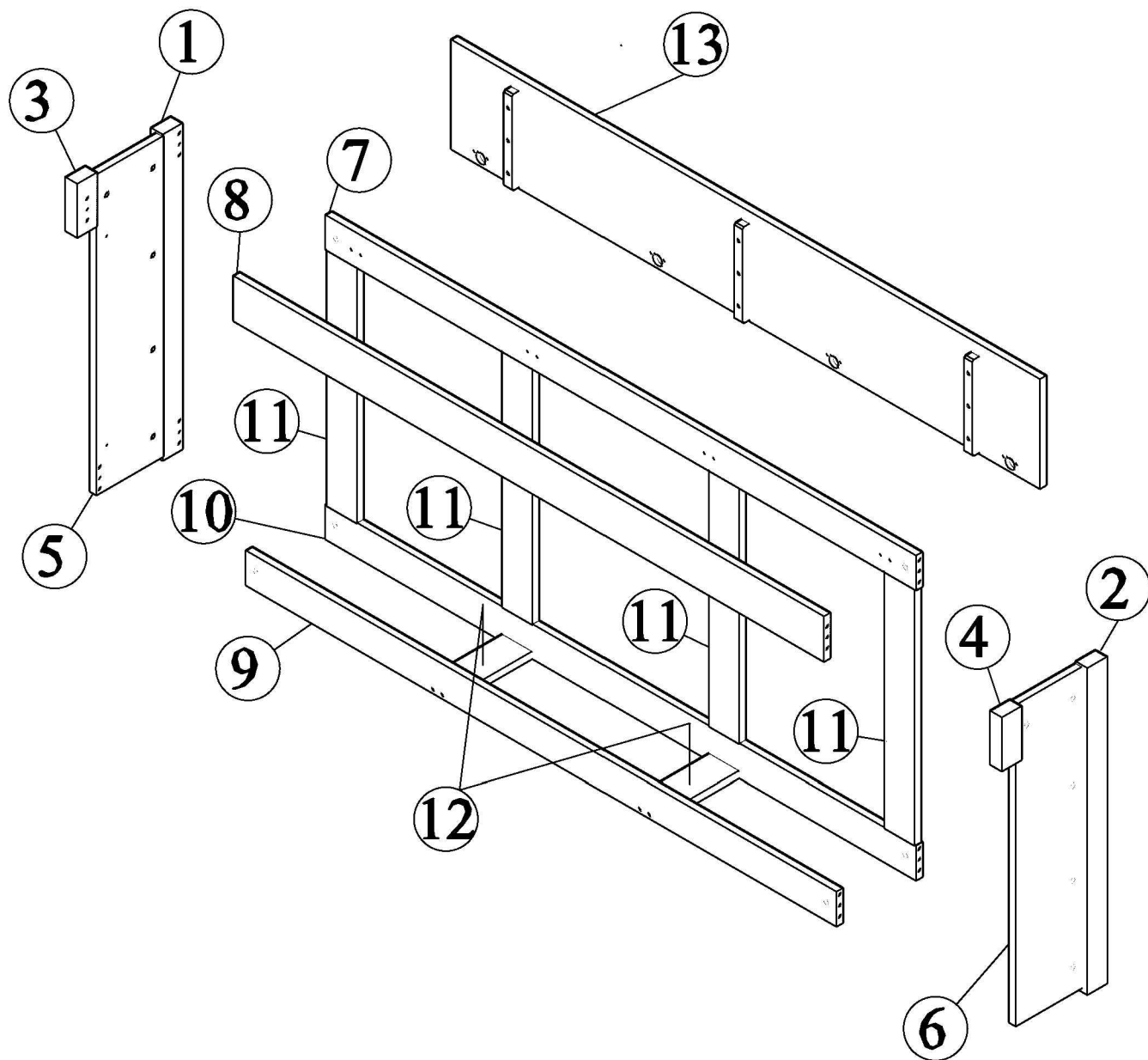


K3  x 44 Ø8 x 40	M1  x 18 Ø6,3 x 30
S2  x 16 Ø3,5 x 16	M2  x 18 Ø15
S1  x 10 Ø3 x 16	B16  x5 60 X 15
Z3+U1  x 4 kmpl Ø35	 U1 x 4  Z3 x 4
C4  x8 Ø7 x 50	D15  x3 Ø8

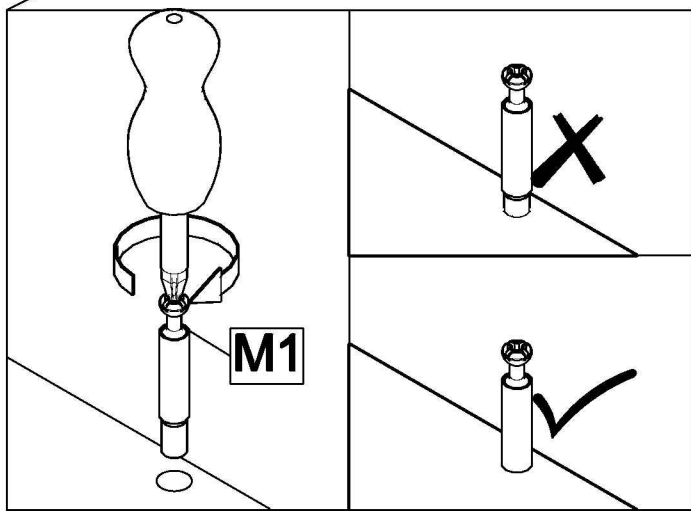
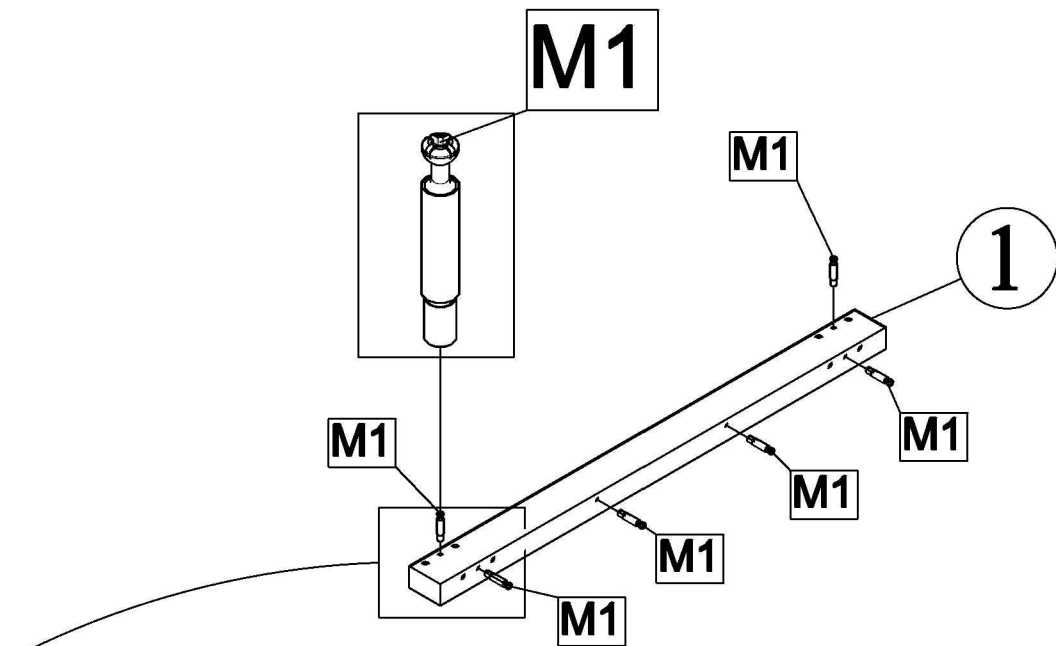
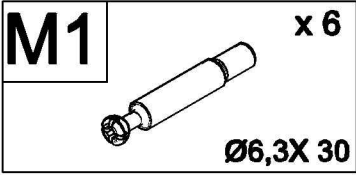
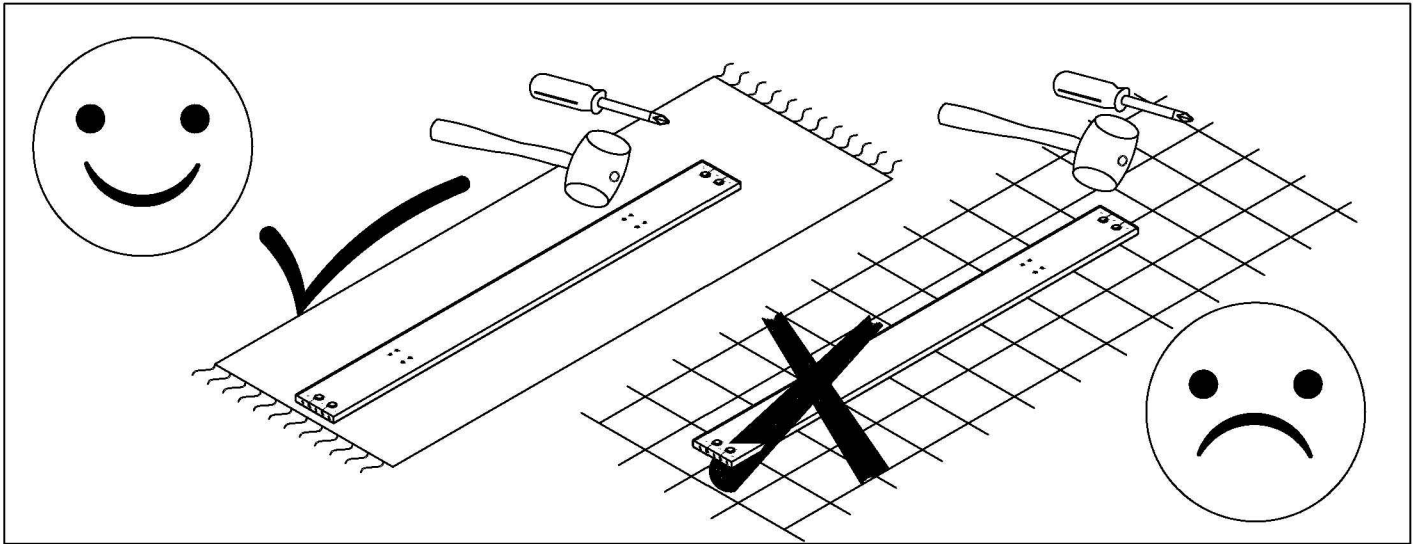


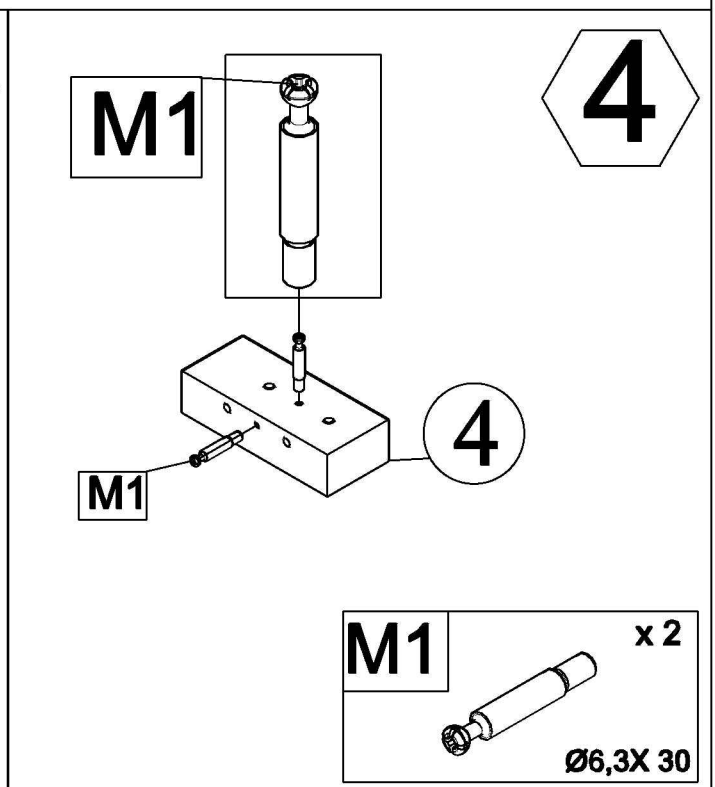
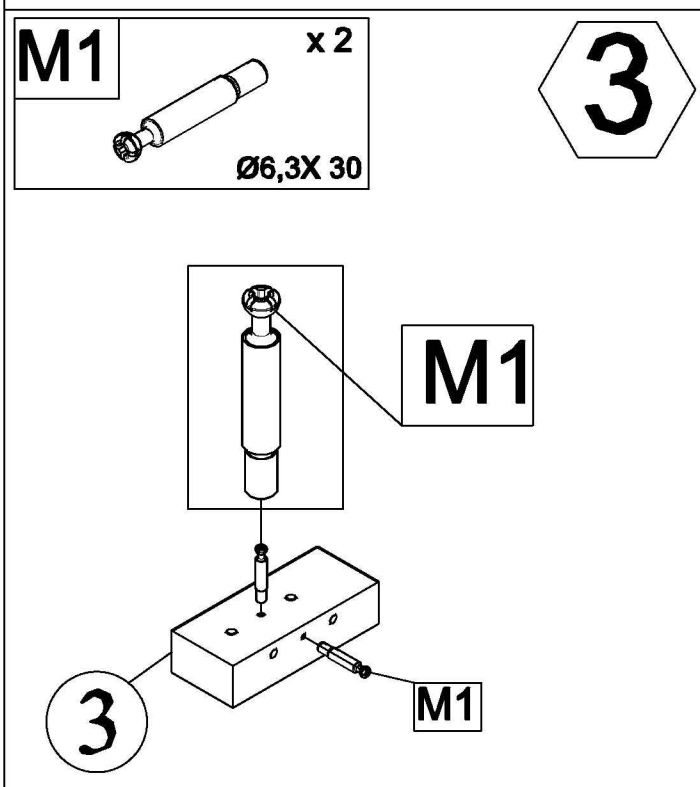
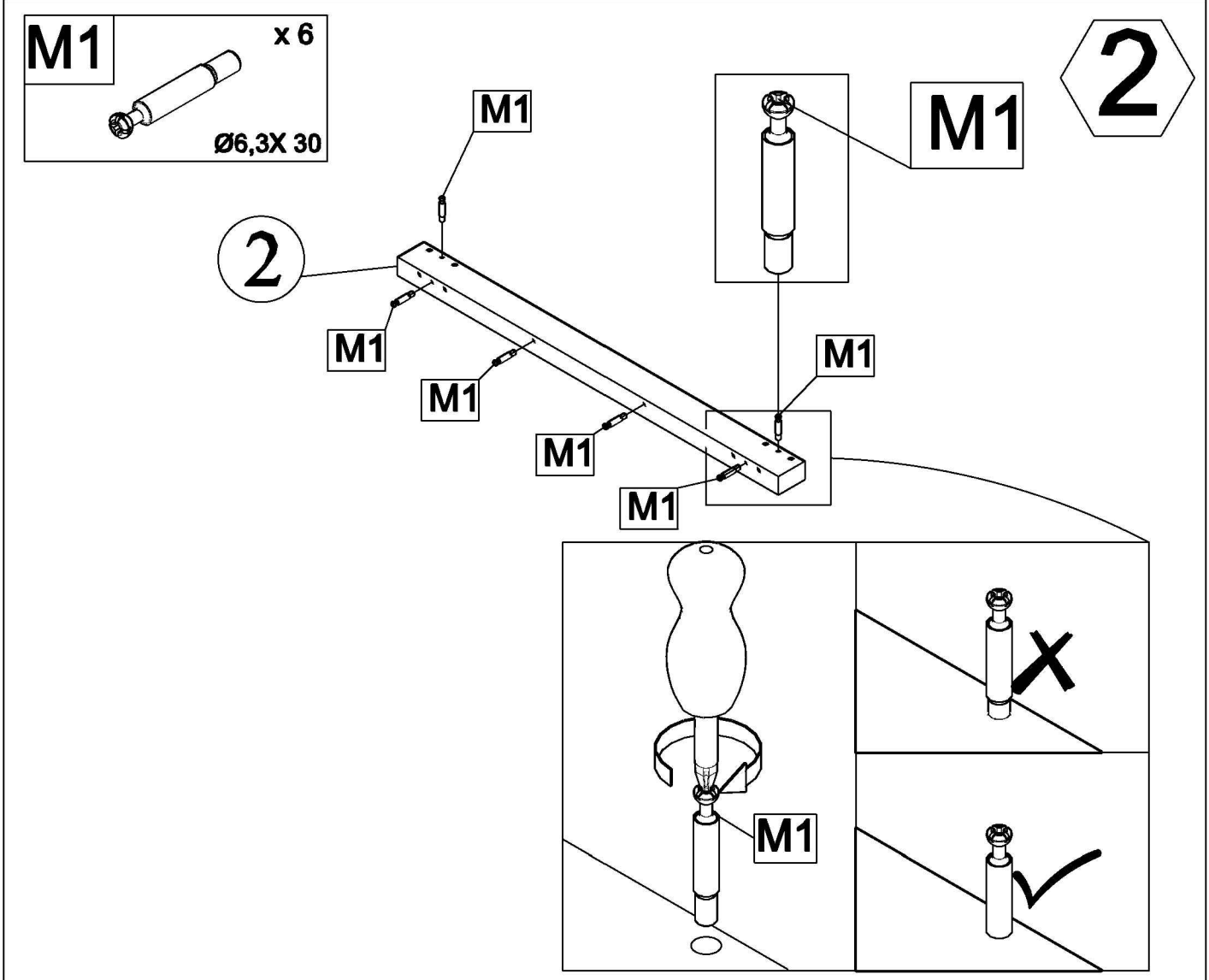
ca 35 mm



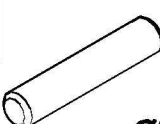




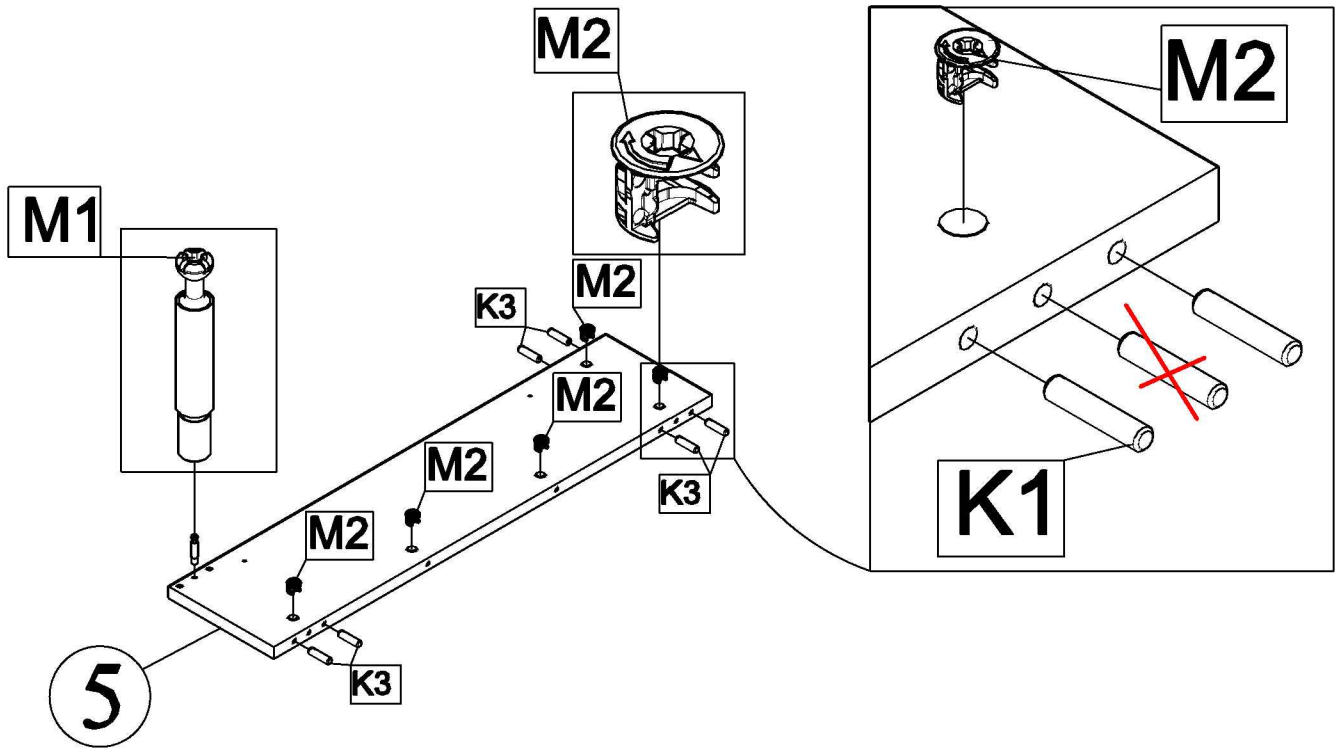
No	Σ	L X B X T(MM)	✓	No	Σ	L X B X T(MM)	✓
1	1	956 X 65 X 38		8	1	2000 X 131 X 20	
2	1	956 X 65 X 38		9	1	2000 X 100 X 20	
3	1	156 X 65 X 38		10	1	2000 X 100 X 20	
4	1	156 X 65 X 38		11	4	951 X 100 X 20	
5	1	940 X 225 X 20		12	2	250 X 100 X 20	
6	1	940 X 225 X 20		13	1	1994 X 330 X 20	
7	1	2000 X 100 X 20					



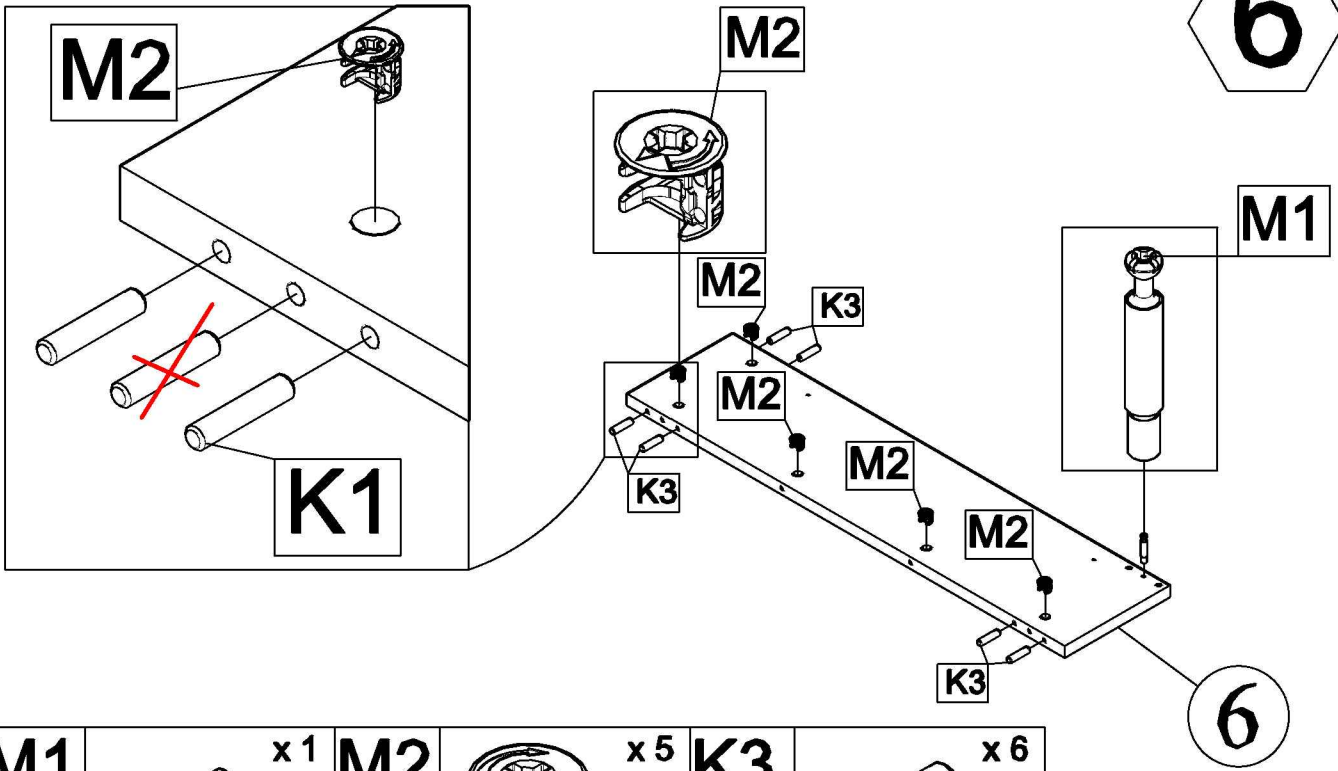


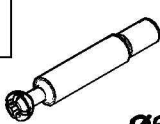
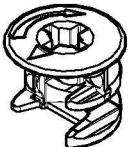
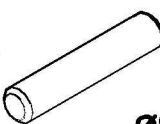
M1	x 1	M2	x 5	K3	x 6
					
Ø6,3X 30		Ø15		Ø8 x 40	

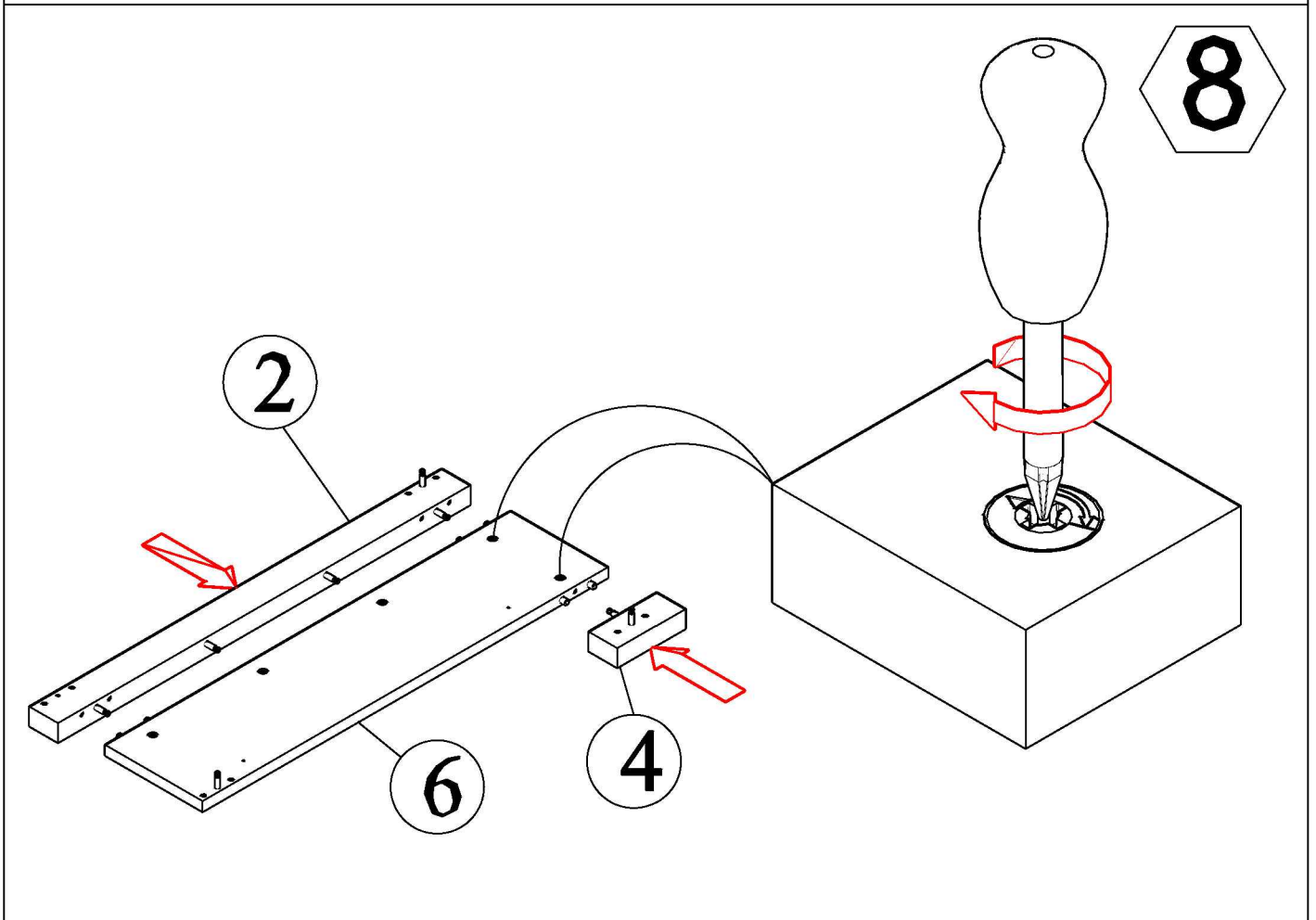
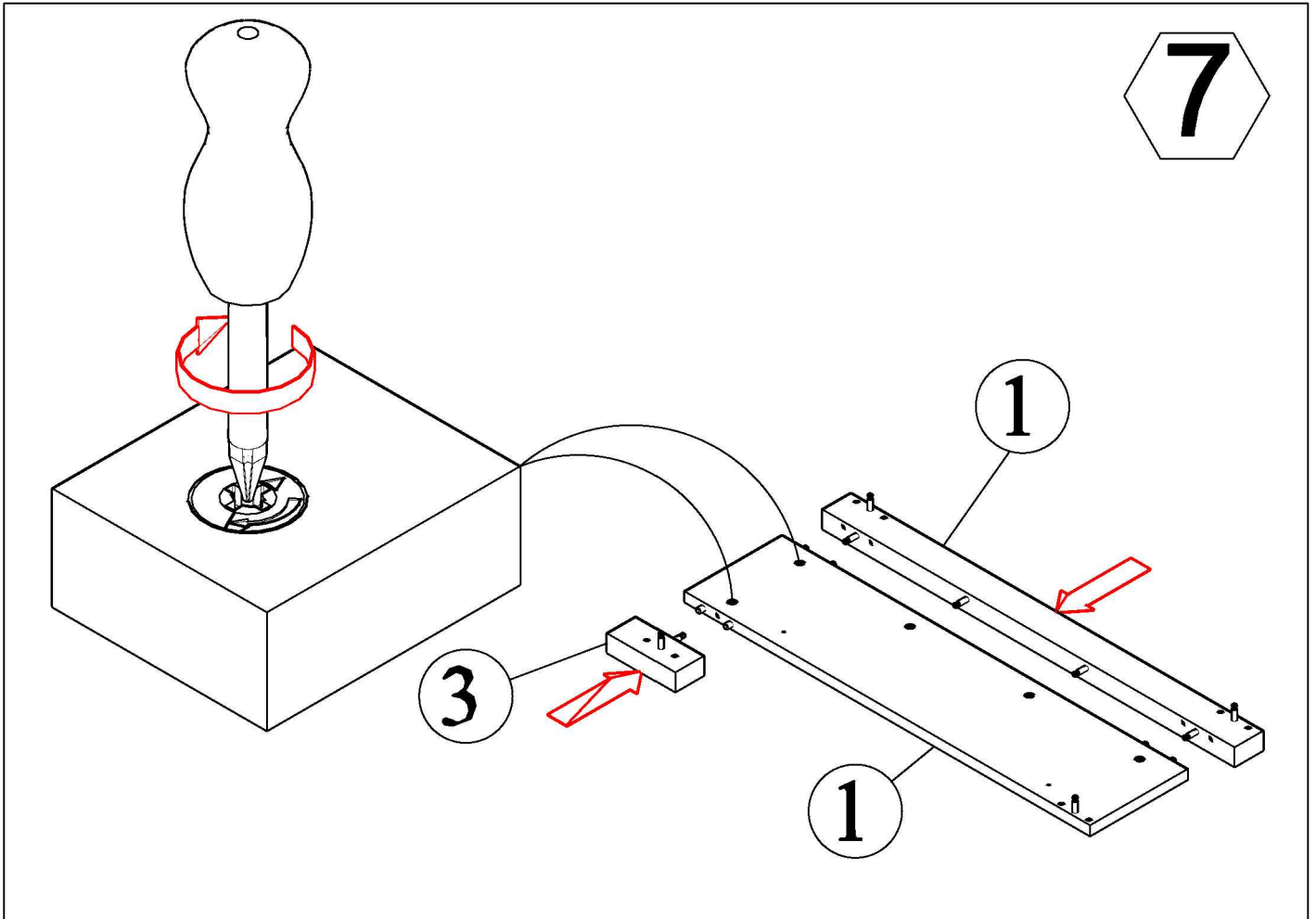
5

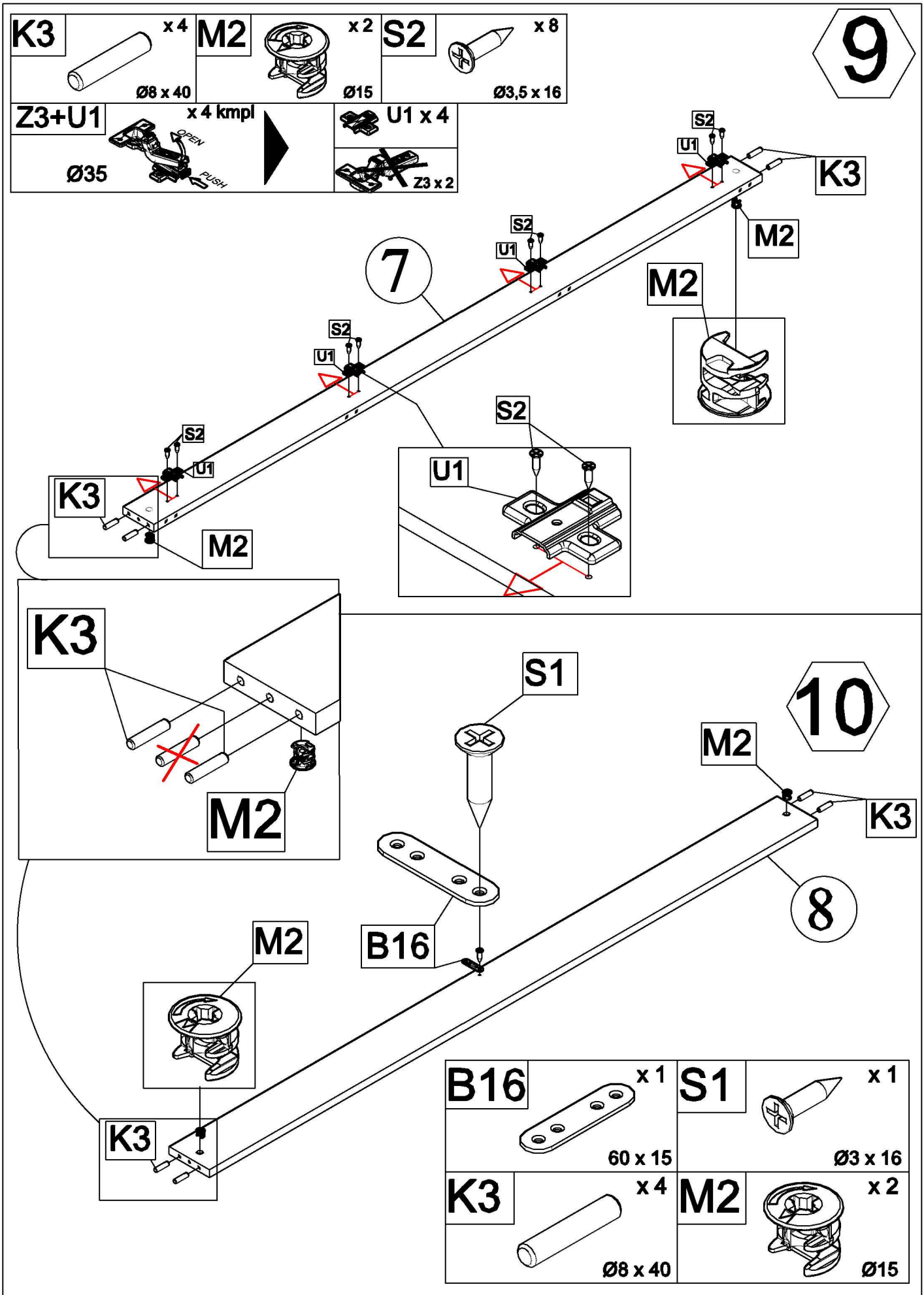


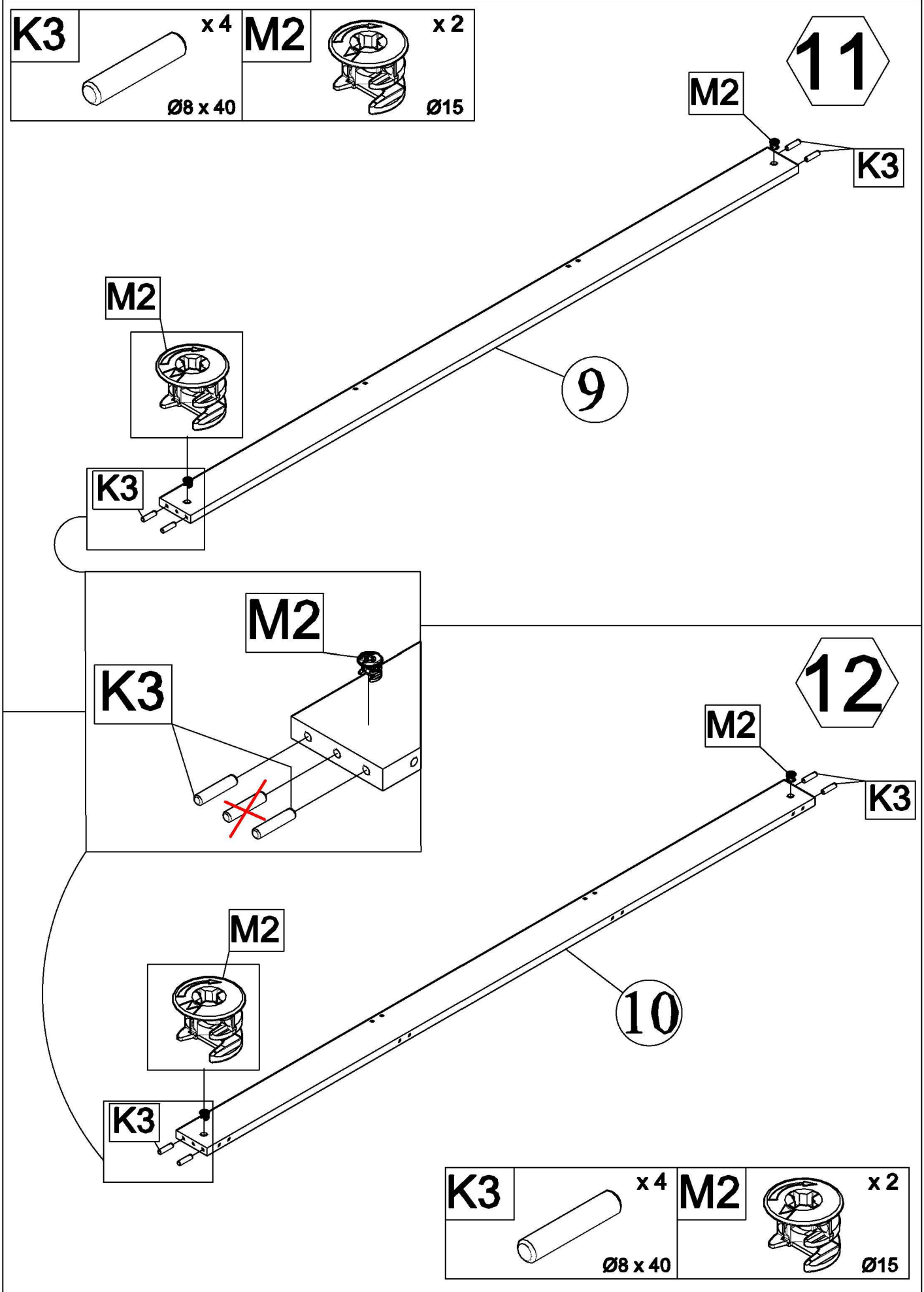
6



M1	x 1	M2	x 5	K3	x 6
					
Ø6,3X 30		Ø15		Ø8 x 40	

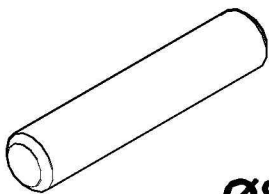






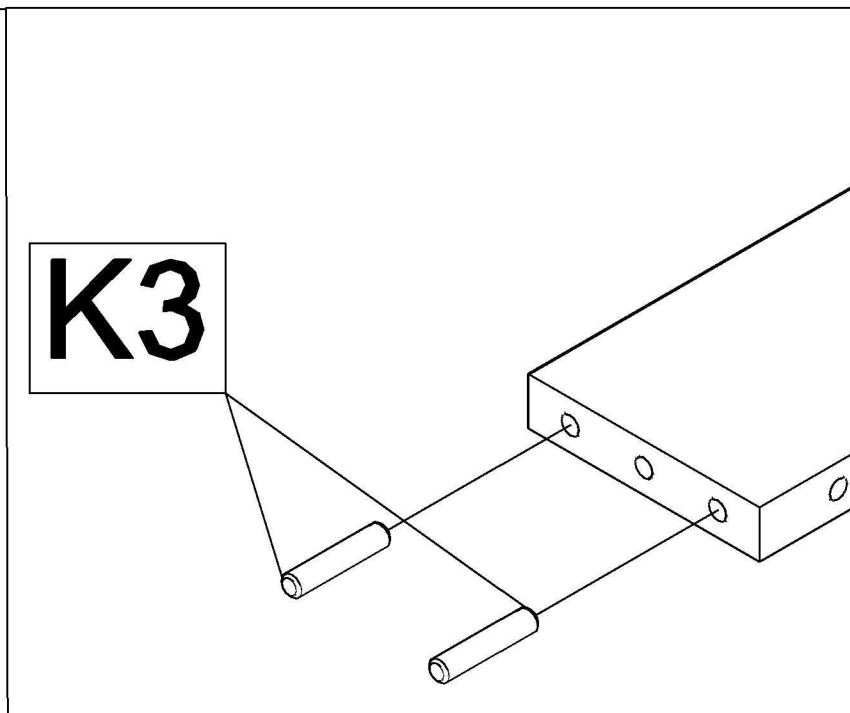
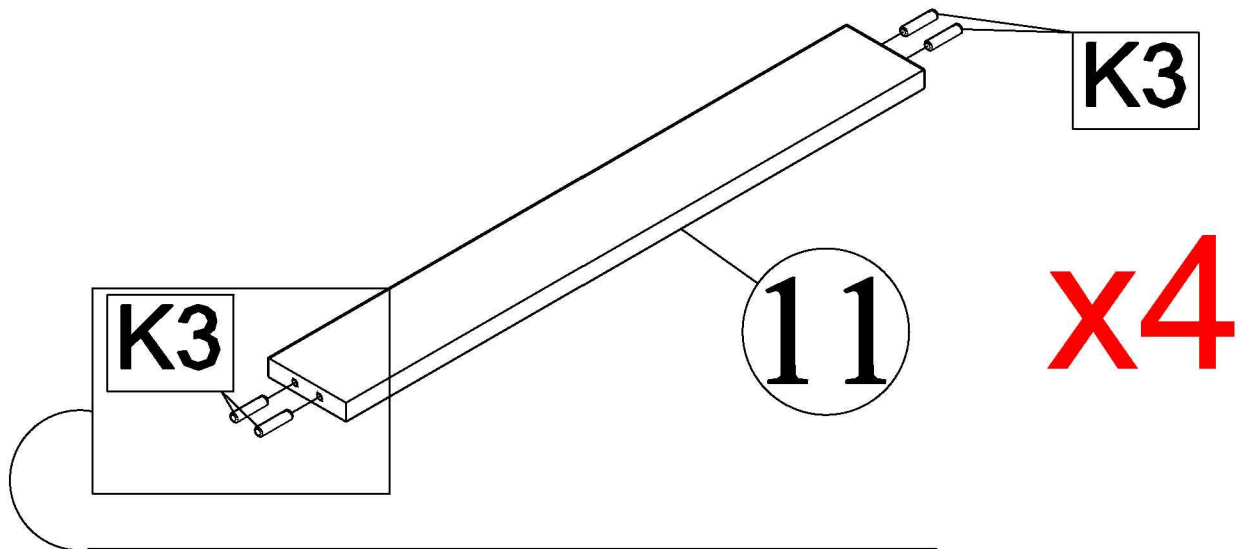
K3

x 16



Ø8 x 40

13



14

Z3+U1 x 4 kmpl

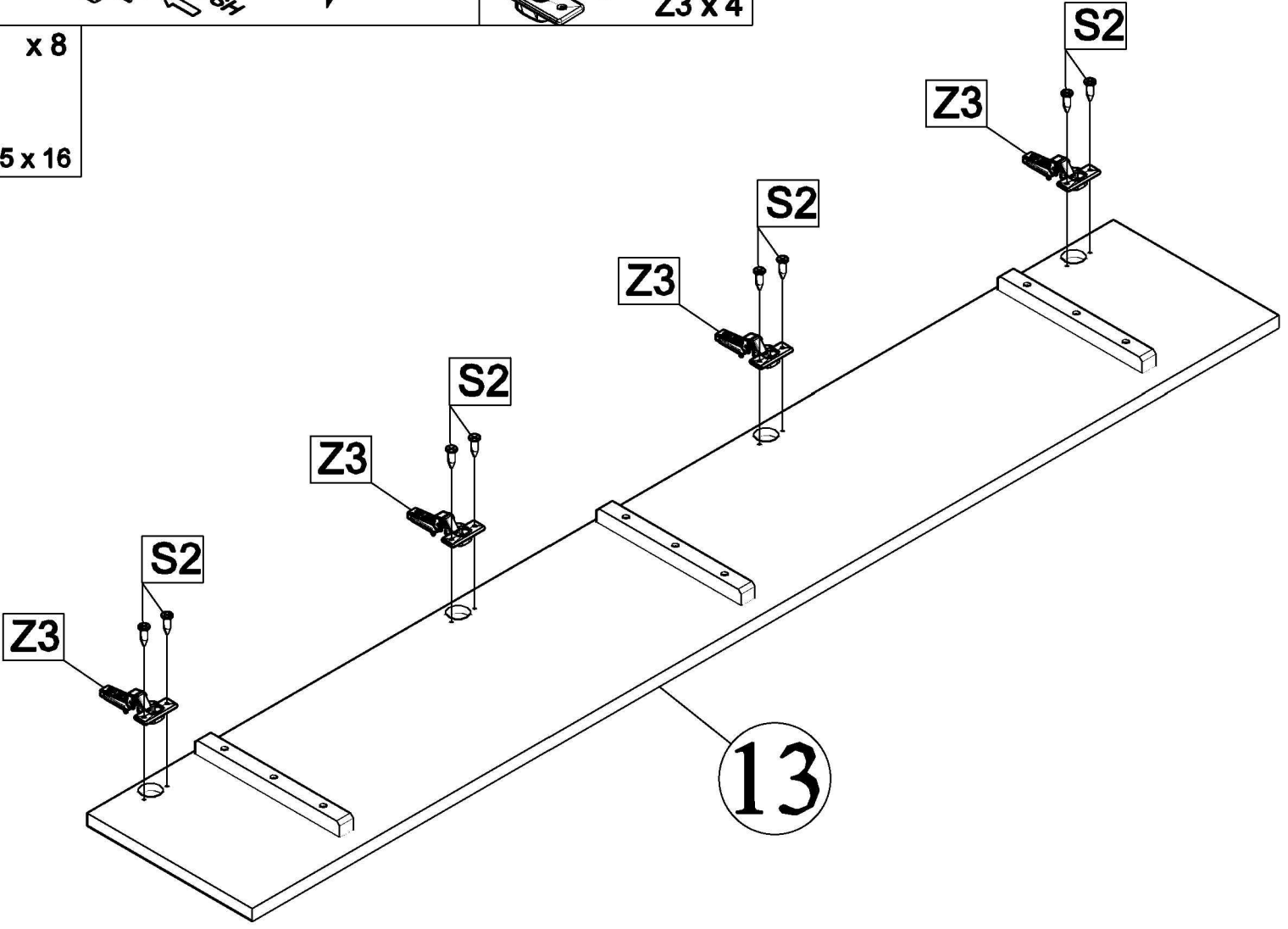
Ø35

~~U1~~ x 4

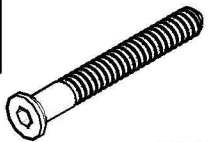
Z3 x 4

S2 x 8

Ø3,5 x 16



C4

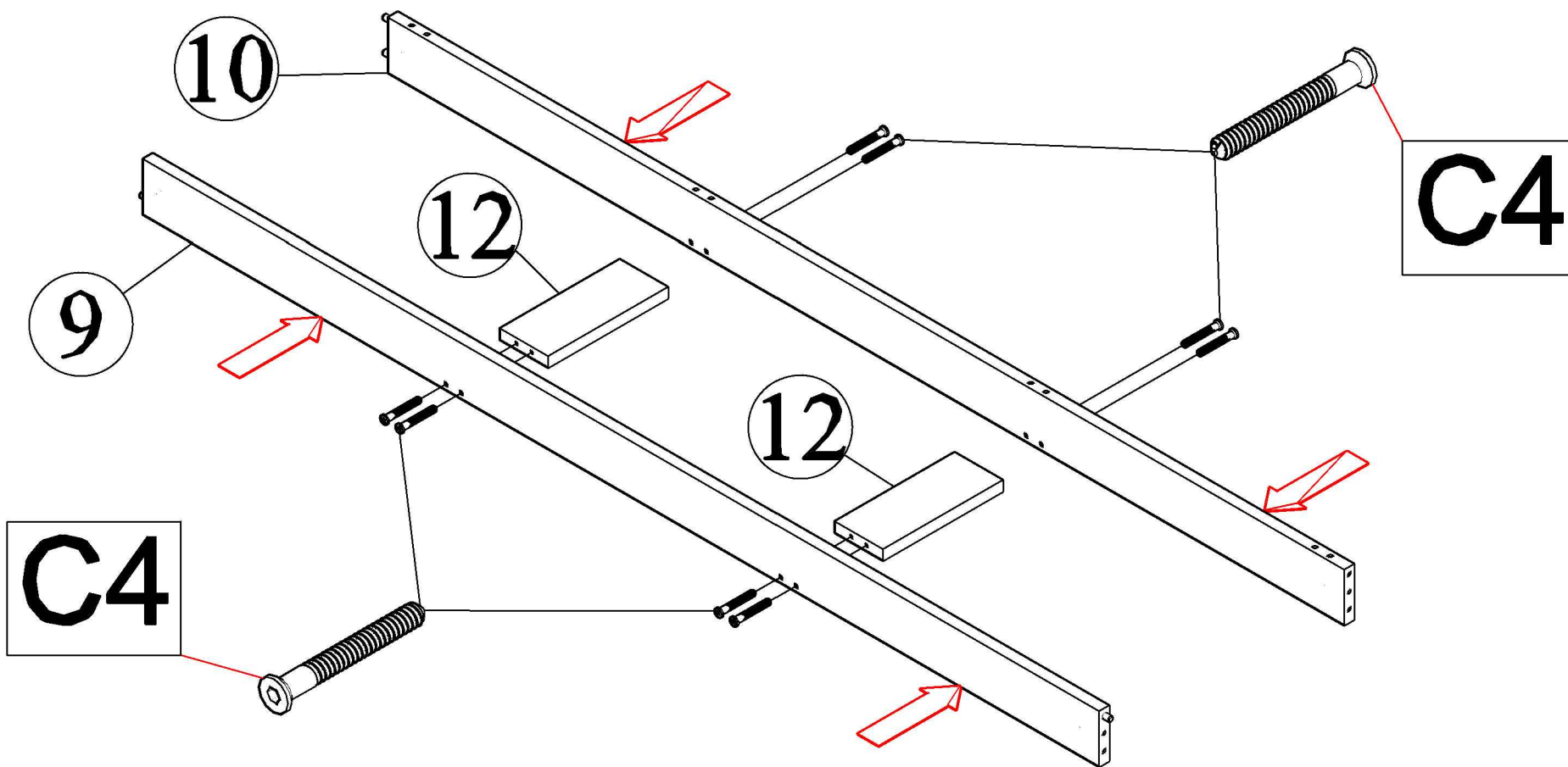


x 8

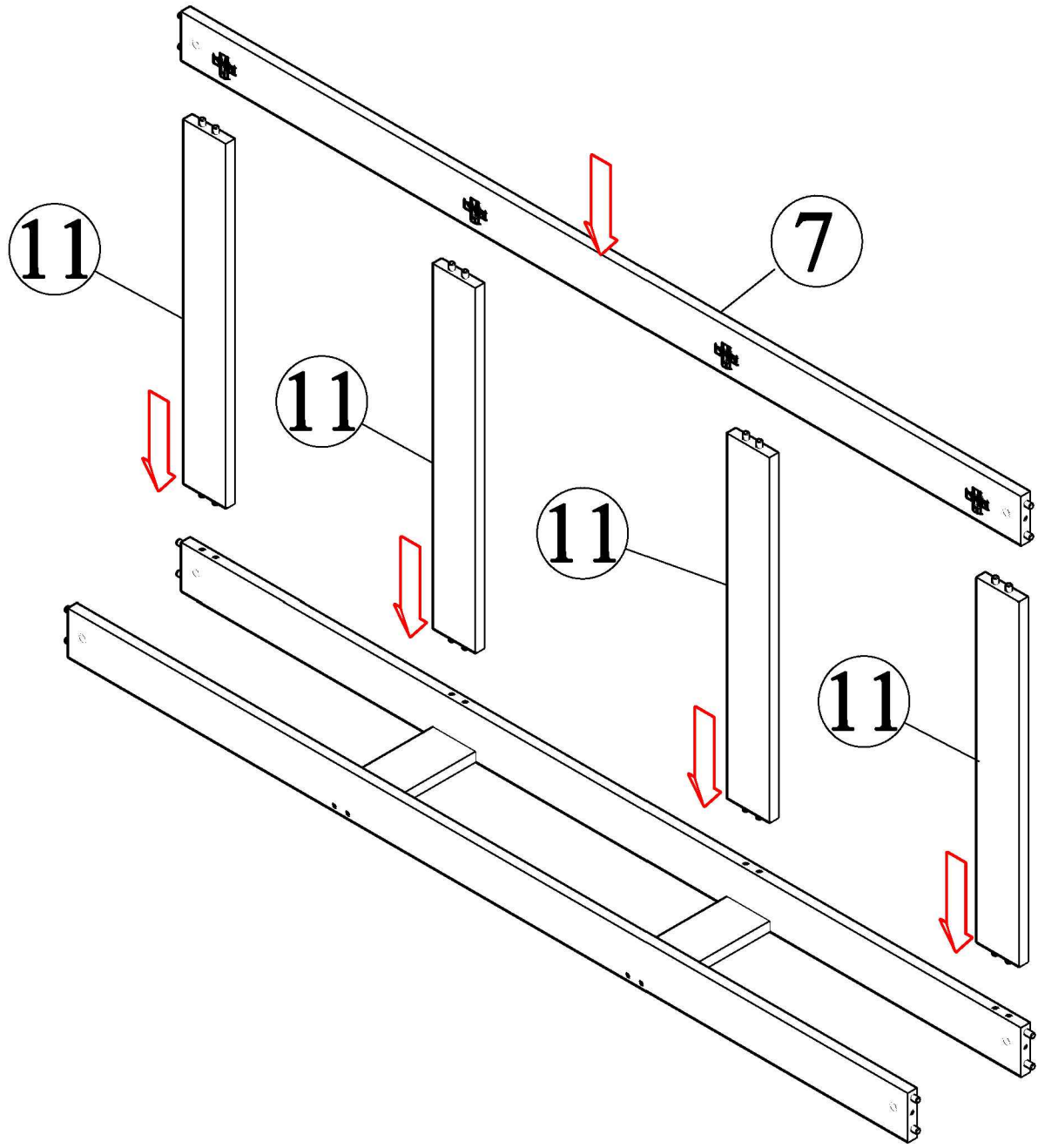
Ø7 X 50

15

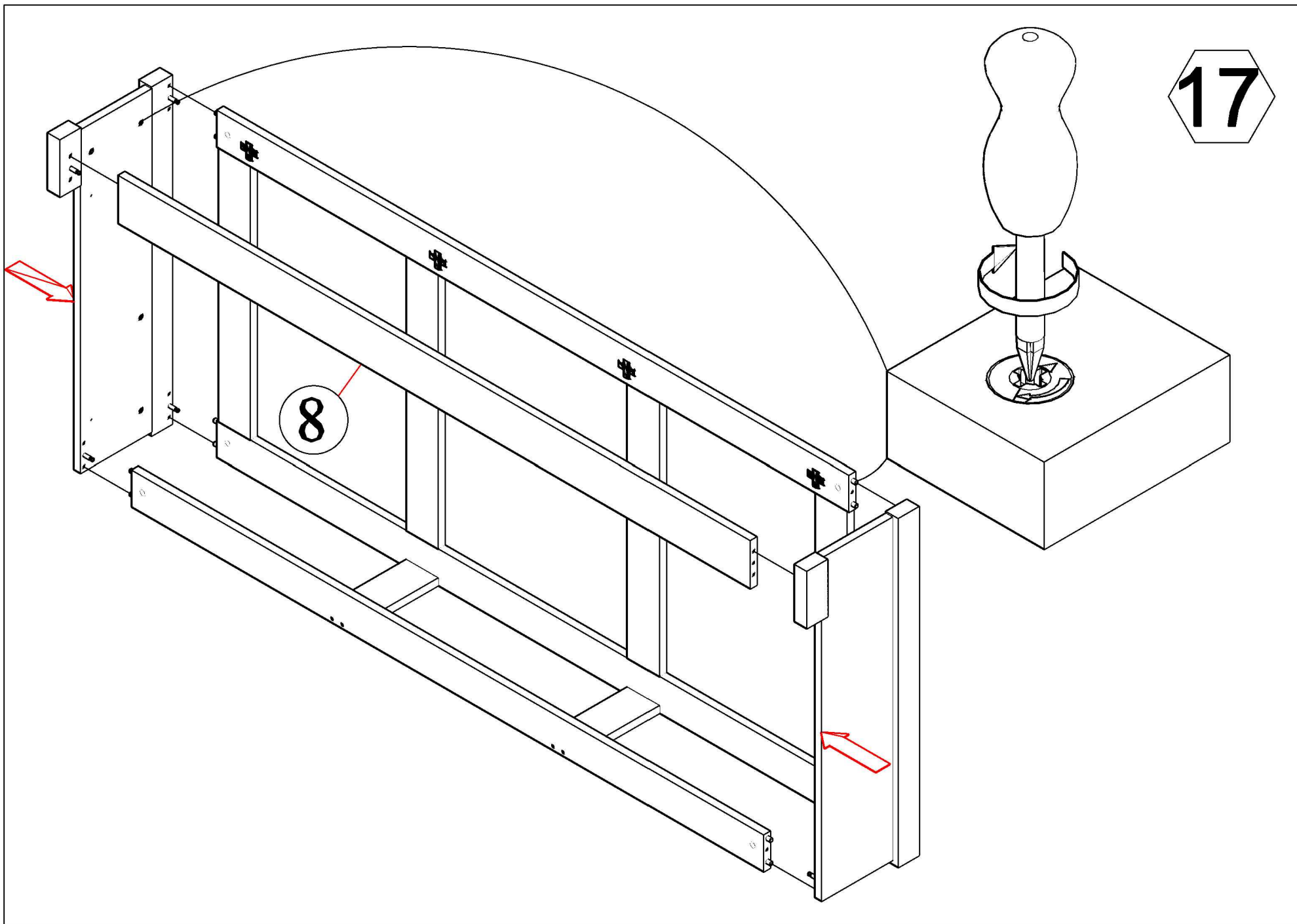
13/17



16



15/18



17

16/18

D15

13

B16

x 4

S1

x 4

60 x 15

Ø3 x 16

D15

x 3

Ø8

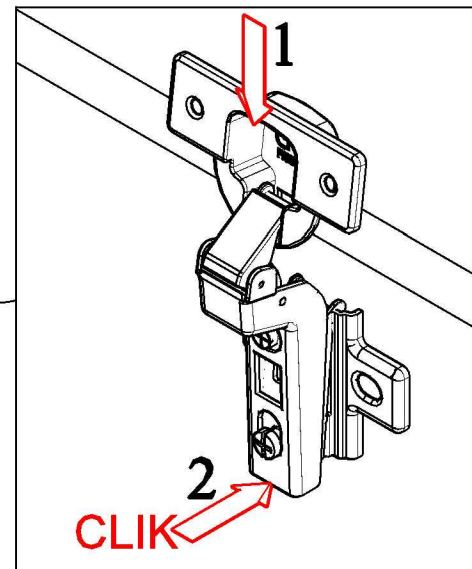
D15

D15

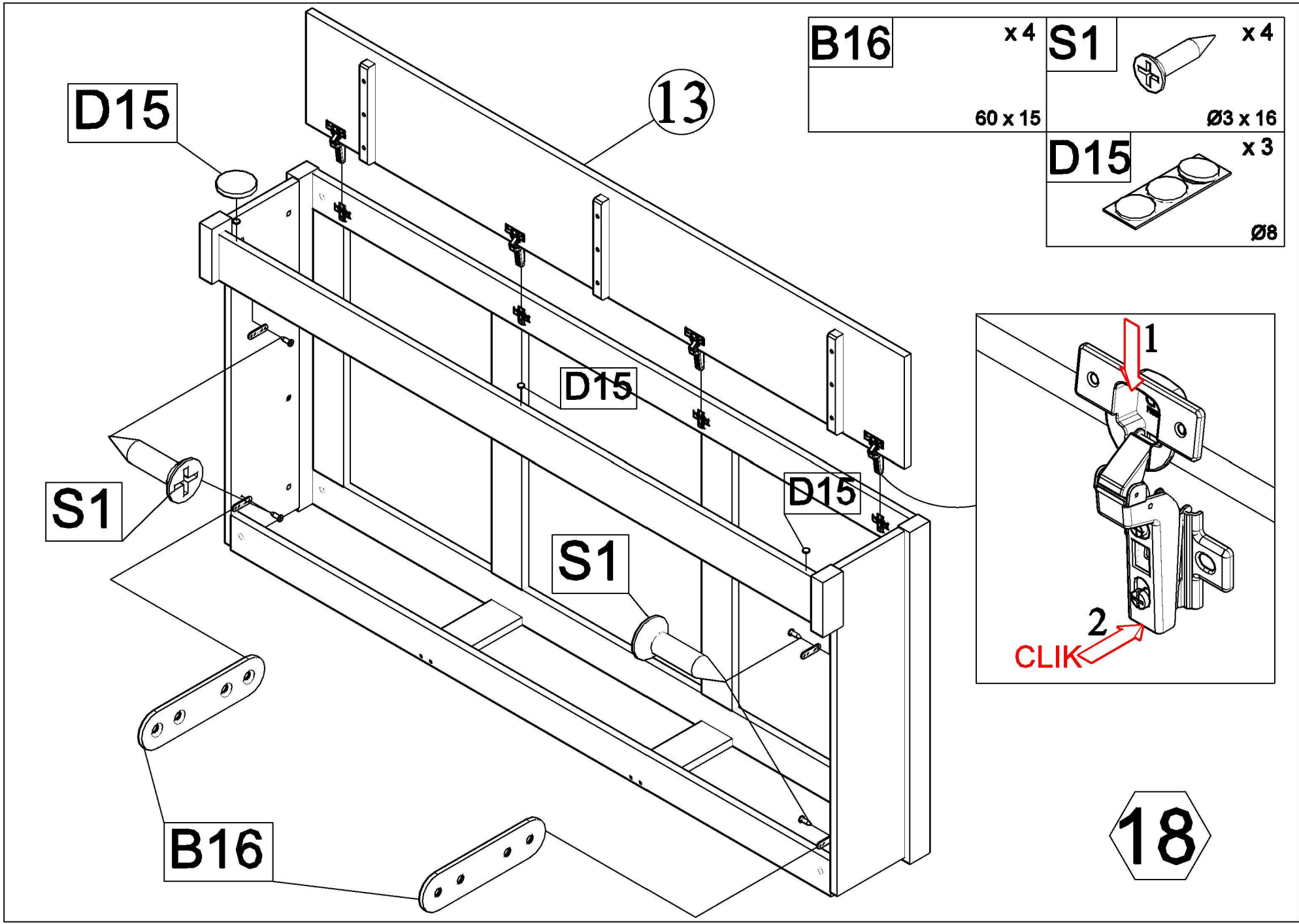
S1

S1

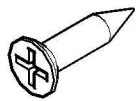
B16



18



S1



x 5

Ø3 x 16

19

17/18

