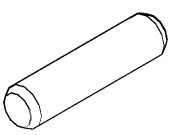
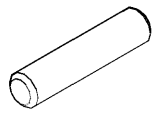
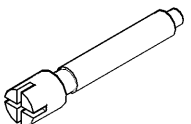
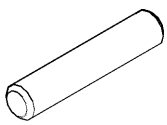
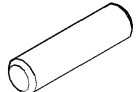

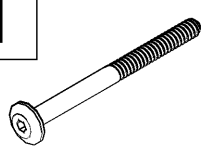
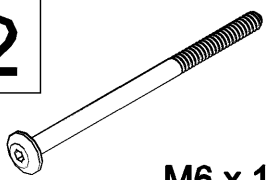

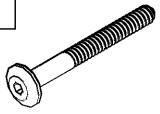
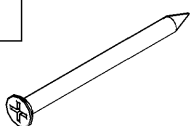
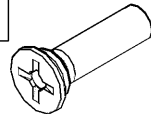
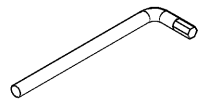
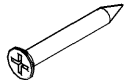
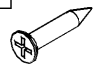
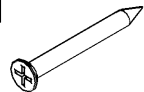
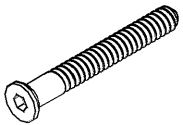
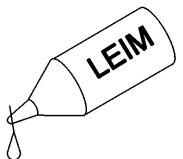
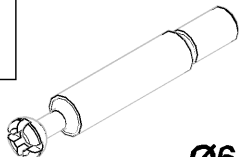
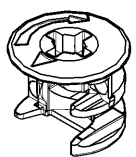
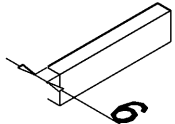
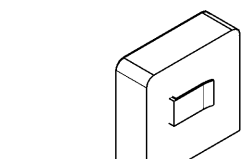
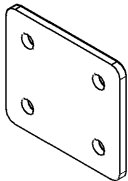
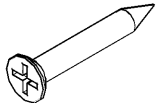
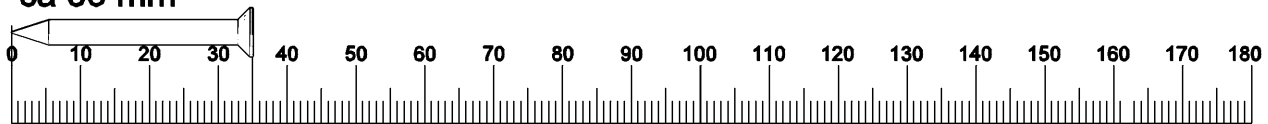
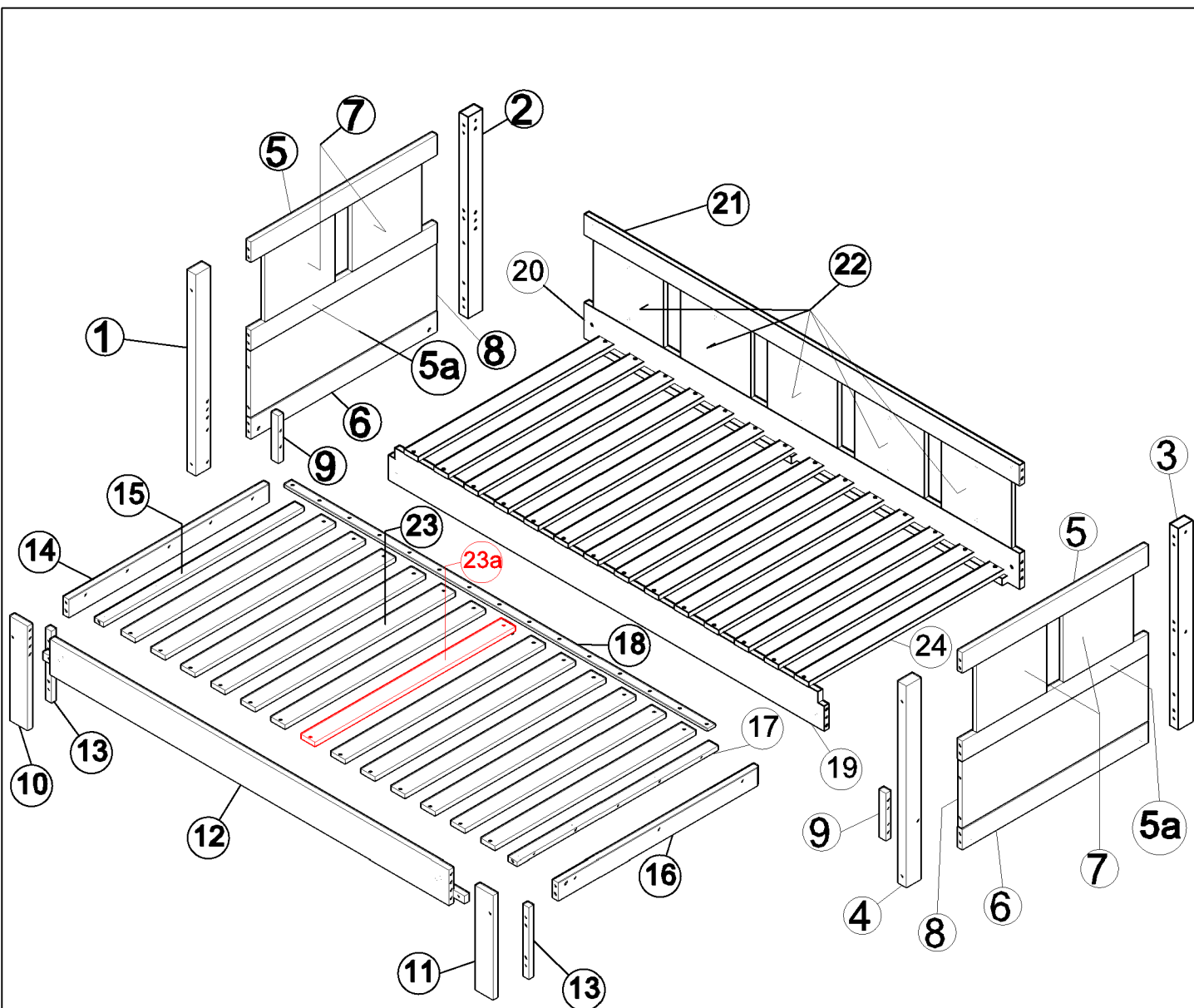


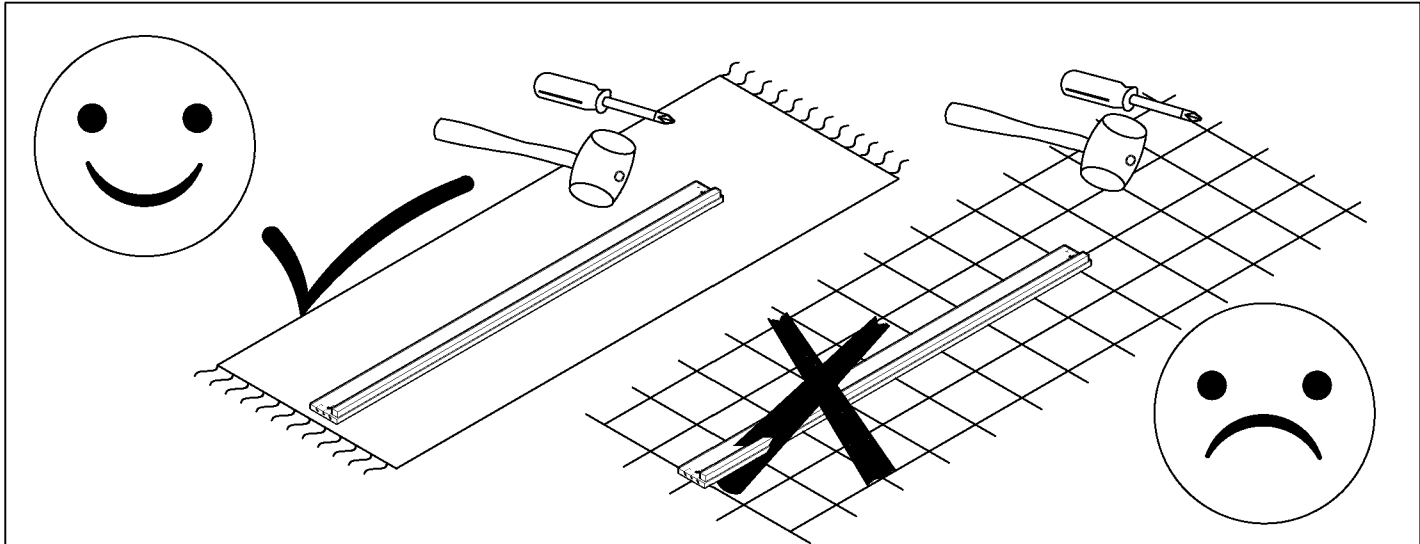
K4  x 12 Ø10 x 40	K1  x 58 Ø8 X 35	J4  x 2 M6 X 50
K3  x 22 Ø8 X 40	K2  x 8 Ø8 x 30	B4  x 2 Ø30
J21  x 6 M6 X 80	J12  x 8 M6 x 110	H4  x 16 Ø10/M6 x 13
J7  x 2 M6 X 60	S7  x4 Ø3,5 x 50	E2  x13 Ø6,3 x 24
F2  x 1 HEX 4 mm	S5  x41 Ø3,5 x 30	S20  x2 Ø3,5 x 20
S6  x6 Ø3,5 x 35	C4  x6 Ø7 x 50	Q1  x1
M1  x10 Ø6,3 x 30	M2  x10 Ø15	X1  x2 50x20x6
	B14  x 3 40 x 35	S19  x8 Ø3,0 x 25

ca 35 mm



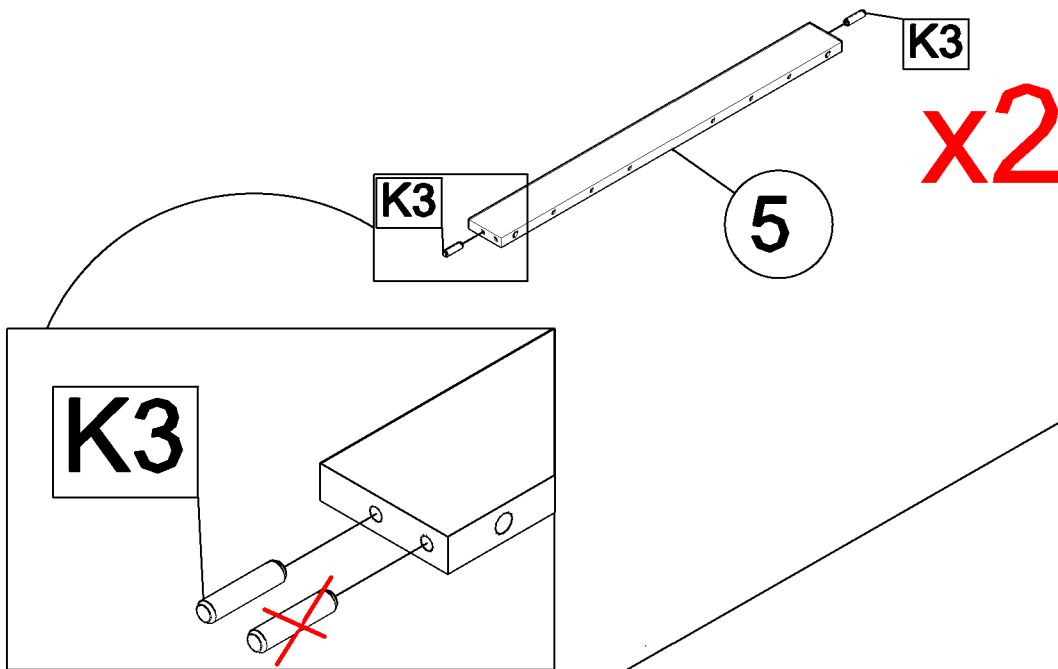


No	Σ	L X B X T(MM)	✓	No	Σ	L X B X T(MM)	✓
1	1	800 X 65 X 38		13	2	285 X 25 X 20	
2	1	800 X 65 X 38		14	1	920 X 72 X 25	
3	1	800 X 65 X 38		15	1	920 X 40 X 18	
4	1	800 X 65 X 38		16	1	920 X 72 X 25	
5	2	855 X 80 X 20		17	1	920 X 40 X 18	
5a	2	855 X 80 X 20		18	1	1944 X 35 X 10	
6	2	855 X 80 X 20		19	1	2000 X 140 X 20	
7	4	262 X 320 X 16		20	1	2000 X 140 X 20	
8	2	855 X 262 X 16		21	1	2000 X 80 X 20	
9	2	188 X 30 X 20		22	5	272 X 320 X 16	
10	1	415 X 80 X 20		23a	1	920 X 63 X 18	
11	1	415 X 80 X 20		23	12	920 X 63 X 18	
12	1	1834 X 140 X 20		24	14	900 X 63 X 18	

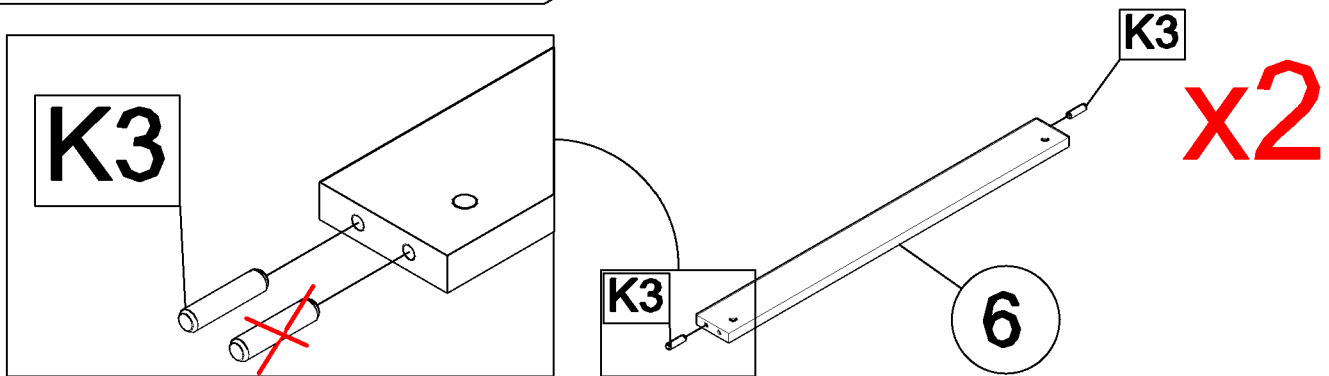


K1	x 46	K2	x 8	K3	x 4
	Ø8 X 35		Ø8 X 30		Ø8 X 40

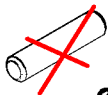

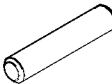
1



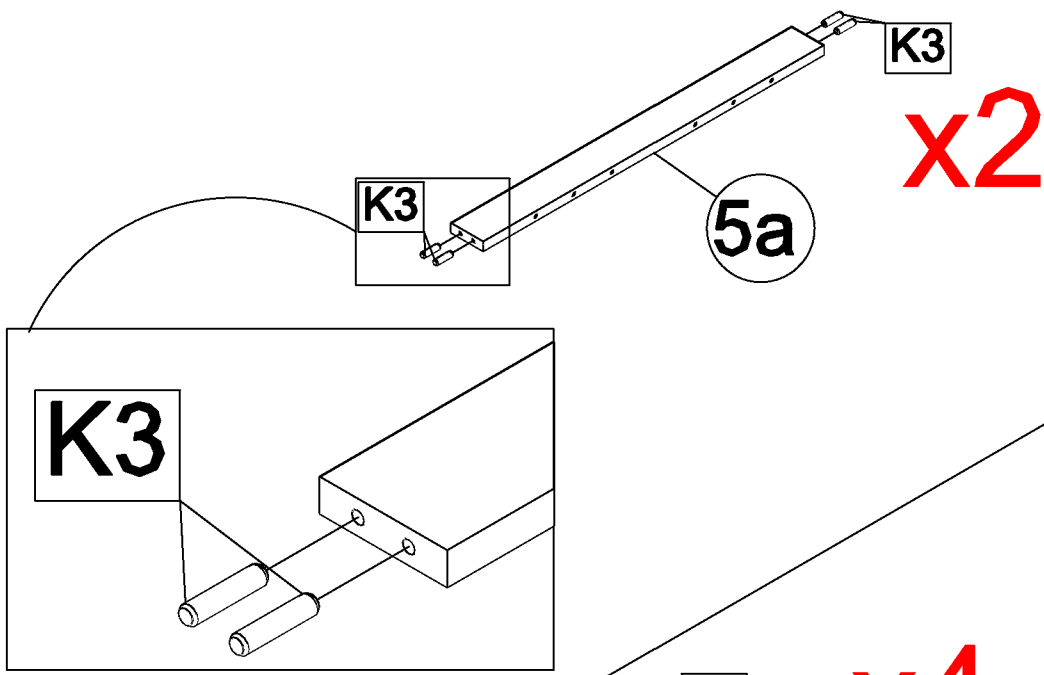
2



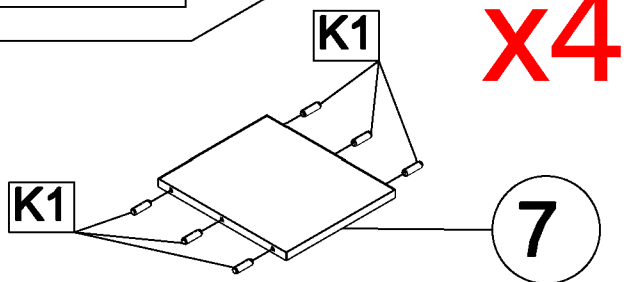
K1	x 46	K2	x 8	K3	x 4
	Ø8 X 35		Ø8 X 30		Ø8 X 40

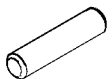


K1	 x 46 Ø8 X 35	K2	 x 8 Ø8 X 30	K3	 x 8 Ø8 X 40
-----------	---	-----------	--	-----------	--

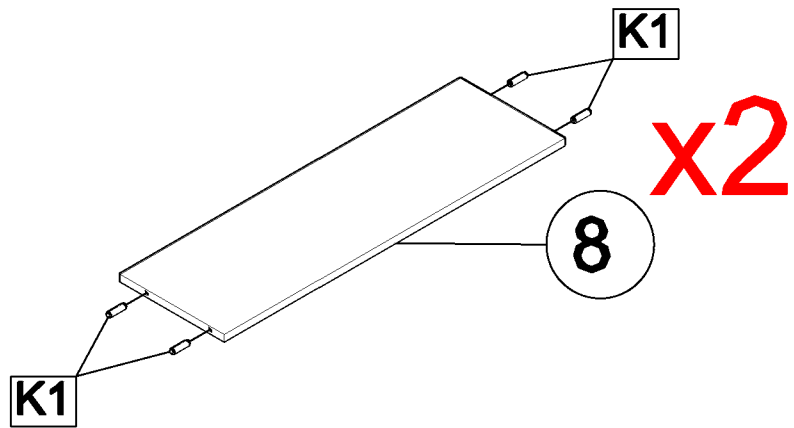
3



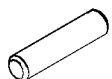



4

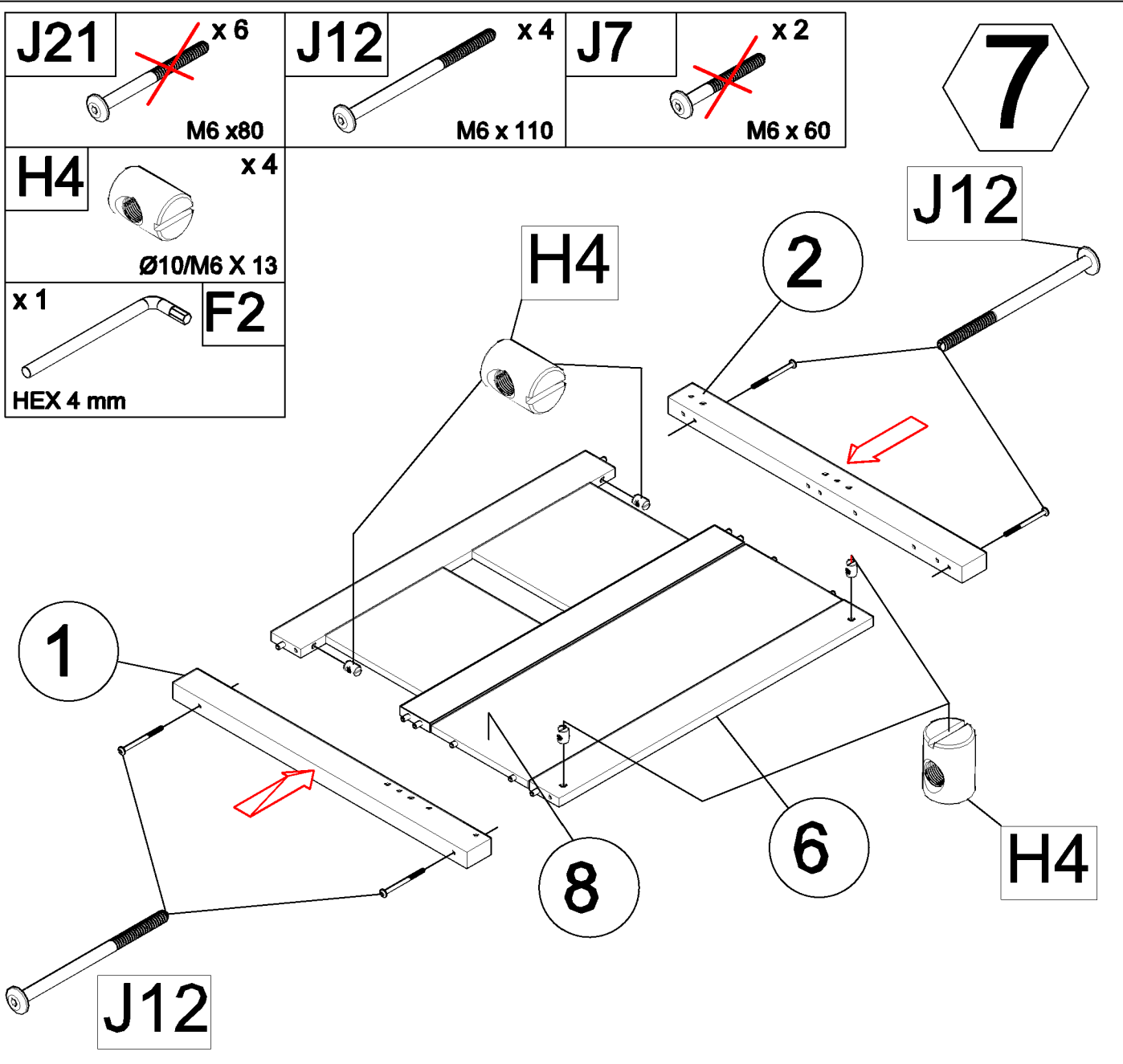
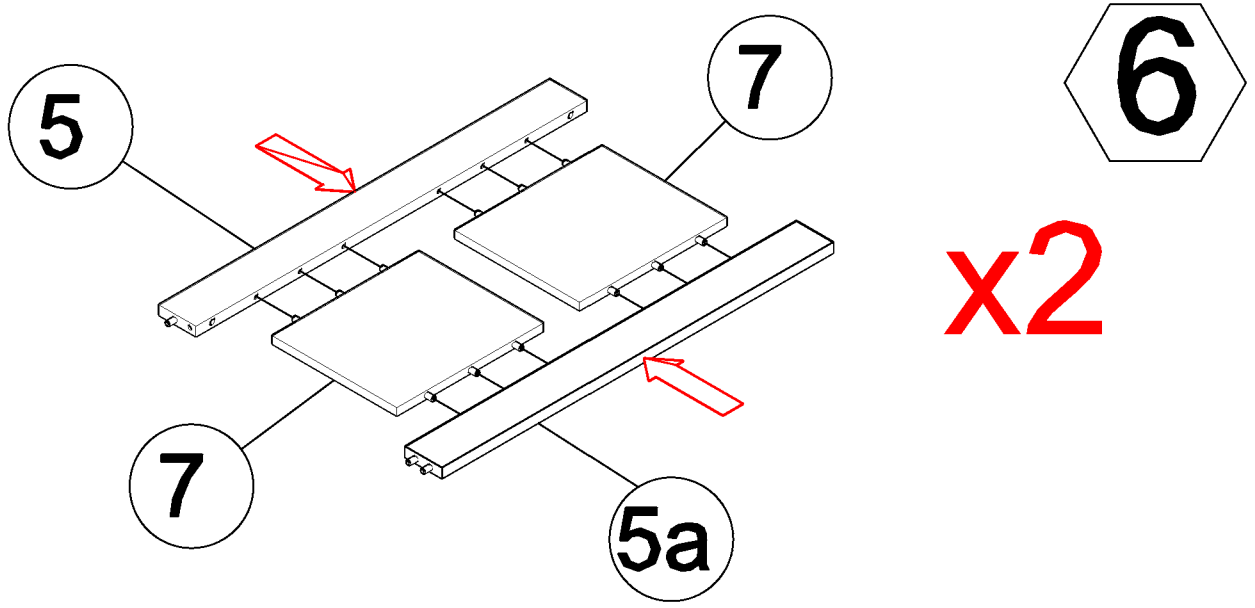


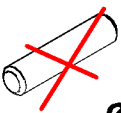
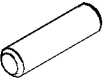
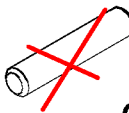
K1	 24 Ø8 X 35	K2	 x 8 Ø8 X 30	K3	 x 4 Ø8 X 40
-----------	---	-----------	---	-----------	--

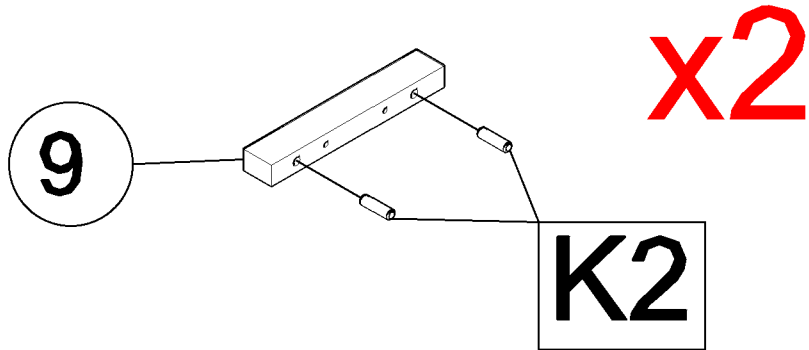


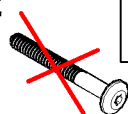
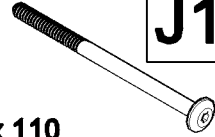
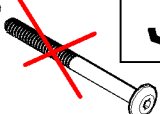
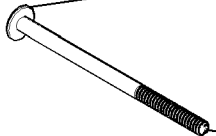



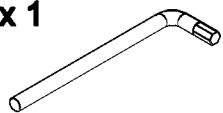
5

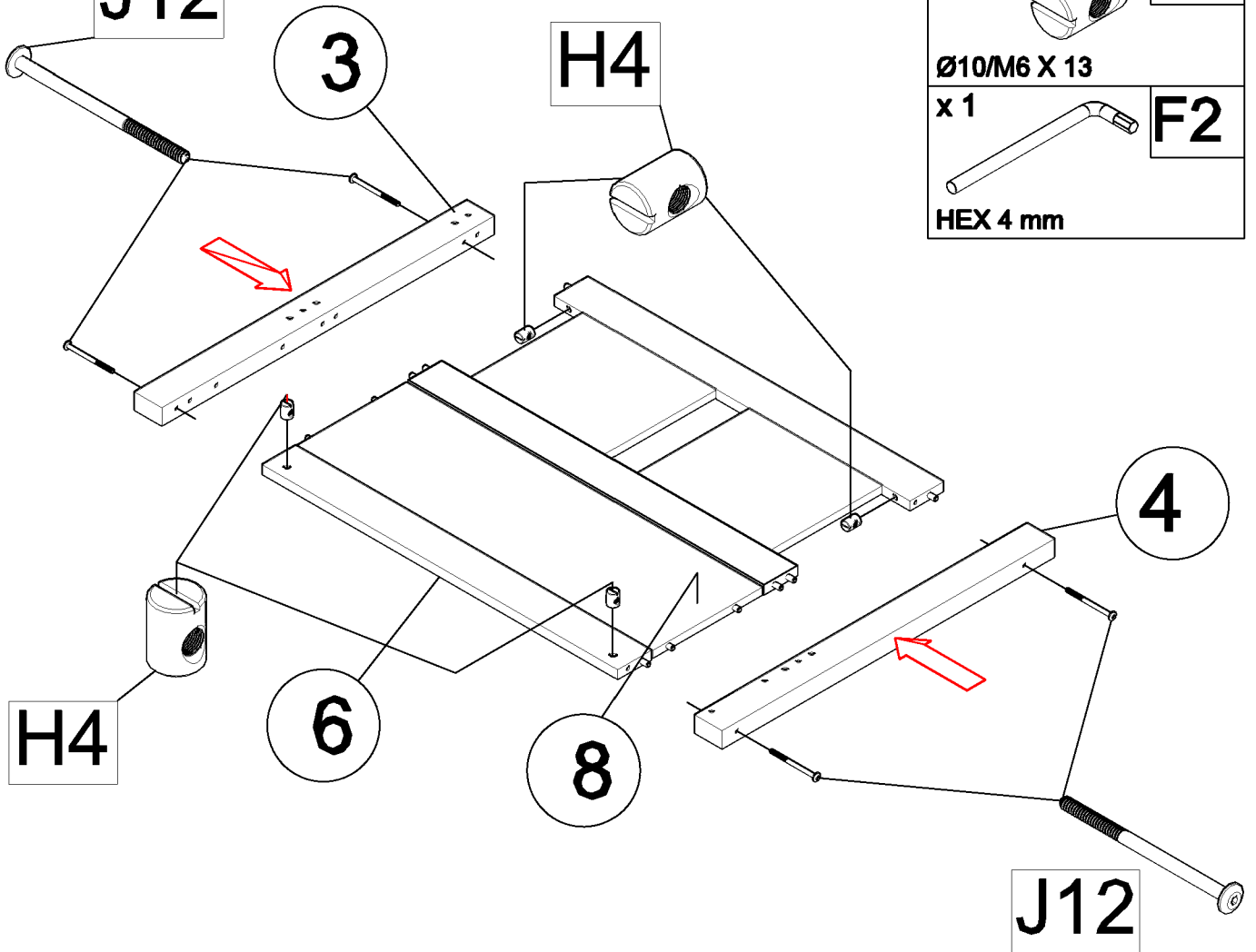
K1	 x 8 Ø8 X 35	K2	 x 8 Ø8 X 30	K3	 x 6 Ø8 X 40	K4	 x 12 Ø10 X 40
-----------	--	-----------	--	-----------	---	-----------	--

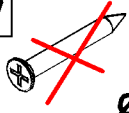
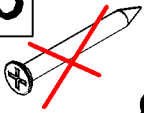
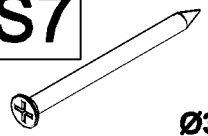


K1	 x 46 Ø8 X 35	K2	 x 4 Ø8 X 30	K3	 x 8 Ø8 X 40
-----------	---	-----------	--	-----------	---

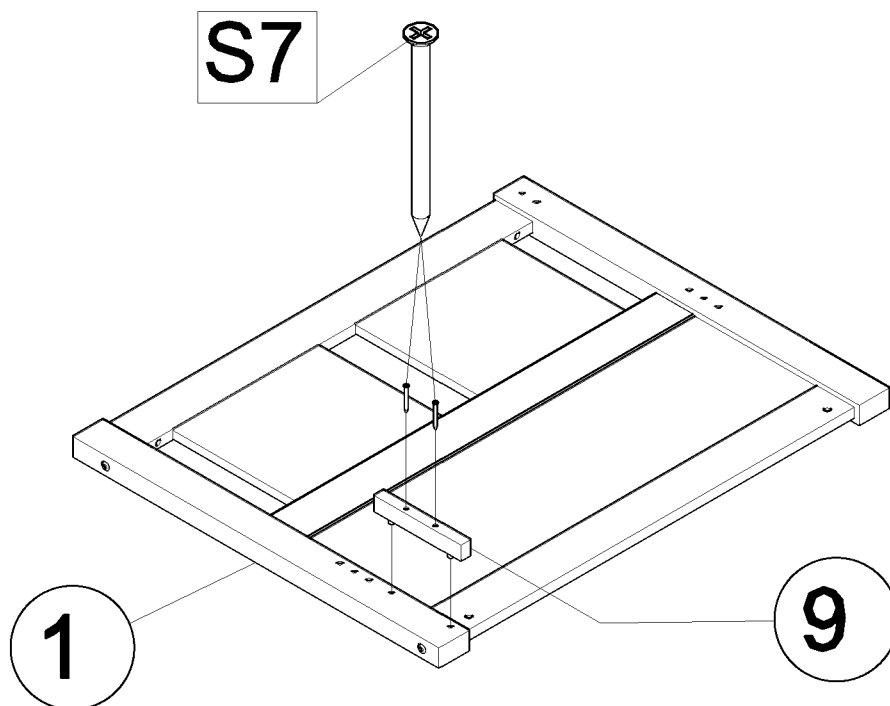


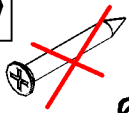
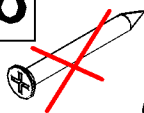
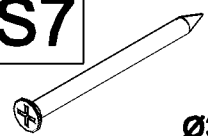
 x 2 M6 x 60	J7	 x 4 M6 x 110	J12	 x 6 M6 x 80	J21	
 J12	 3	 H4	 x 4 Ø10/M6 X 13	H4	 x 1 HEX 4 mm	F2



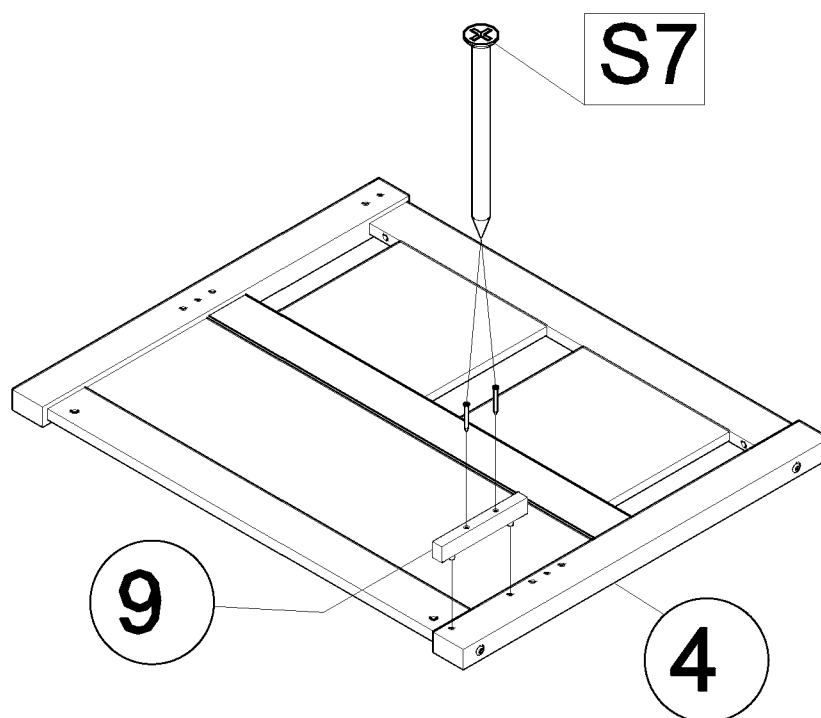
S5 x 45  Ø3,5 X 30	S6 x 6  Ø3,5 X 35	S7 x 2  Ø3,5 X 50
---	--	---

10



S5 x 45  Ø3,5 X 30	S6 x 6  Ø3,5 X 35	S7 x 2  Ø3,5 X 50
---	--	---

11

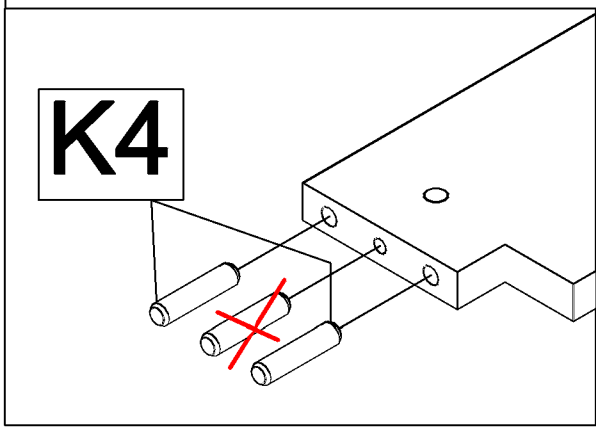
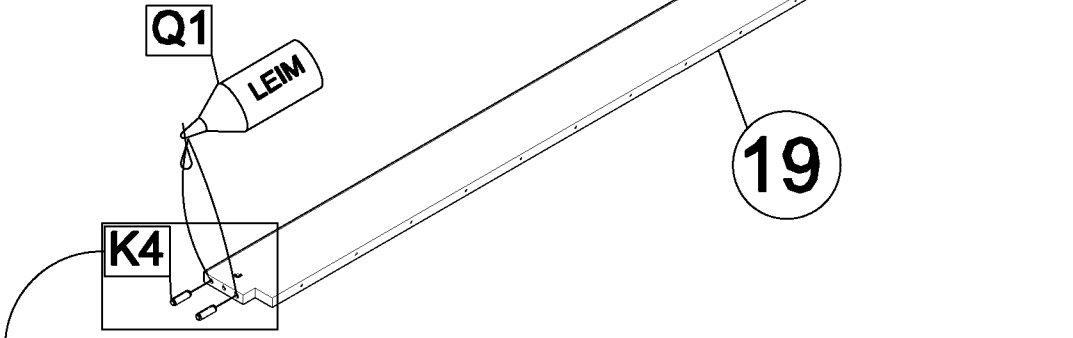


12

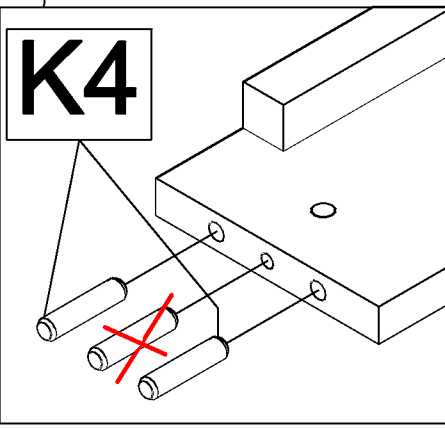
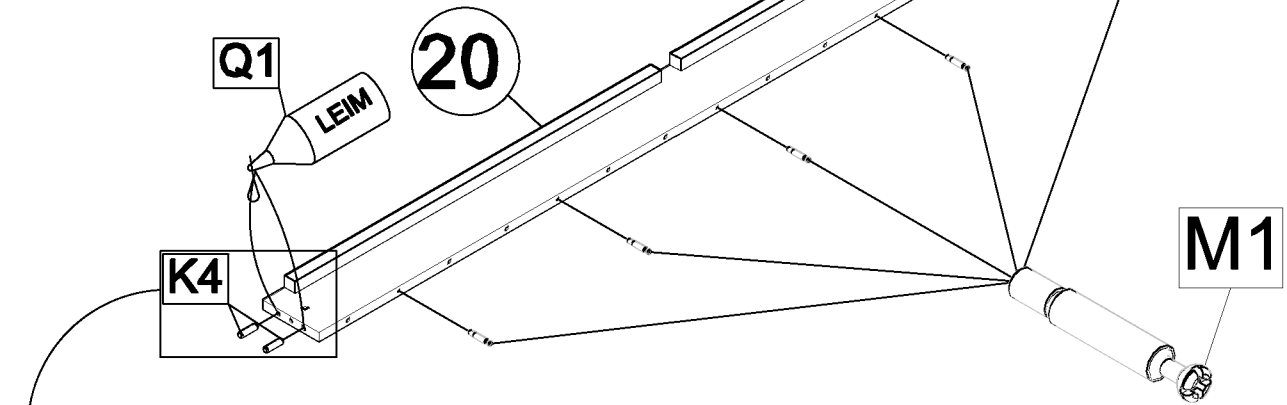
K3 x 8
Ø8 X 40

Q1 LEIM x 1

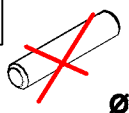

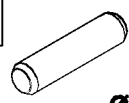
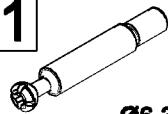
K4 x 4
Ø10X 40



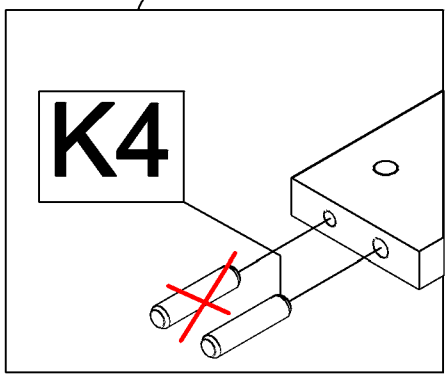
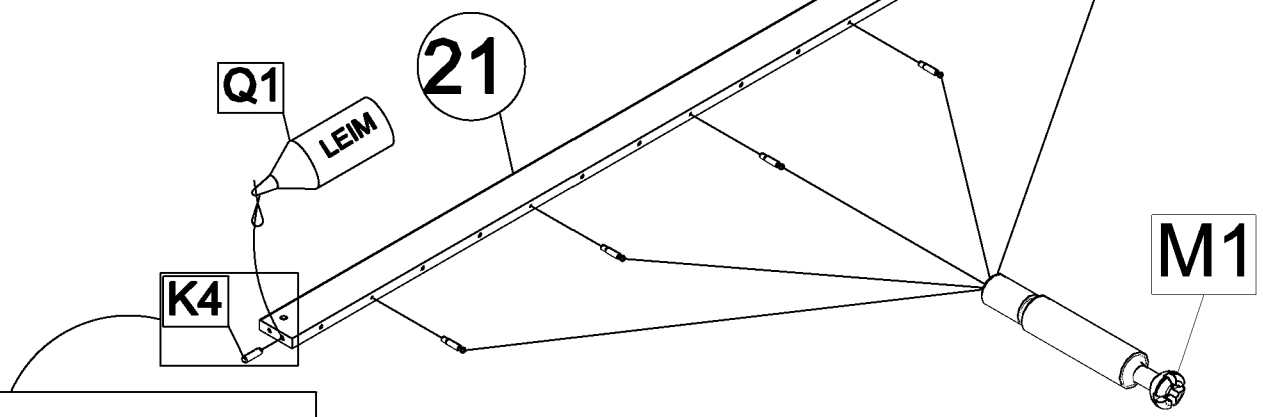
13



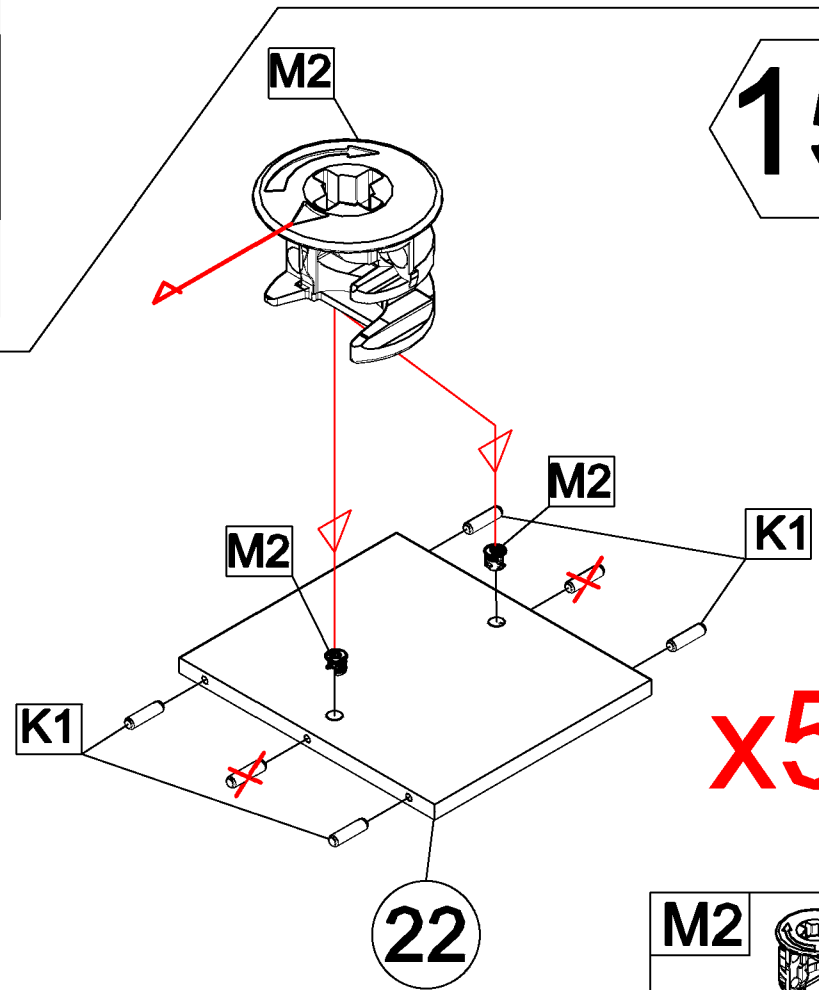
Q1 LEIM x 1	K4 x 4 Ø10X 40
M1 x 5 Ø6,3 X 30	K3 x 8 Ø8 X 40

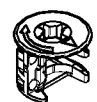
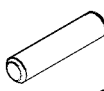

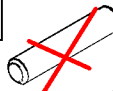
K3	 x 8 Ø8 X 40	Q1	 x 1
K4	 x 2 Ø10X 40	M1	 x 5 Ø6,3 X 30

14

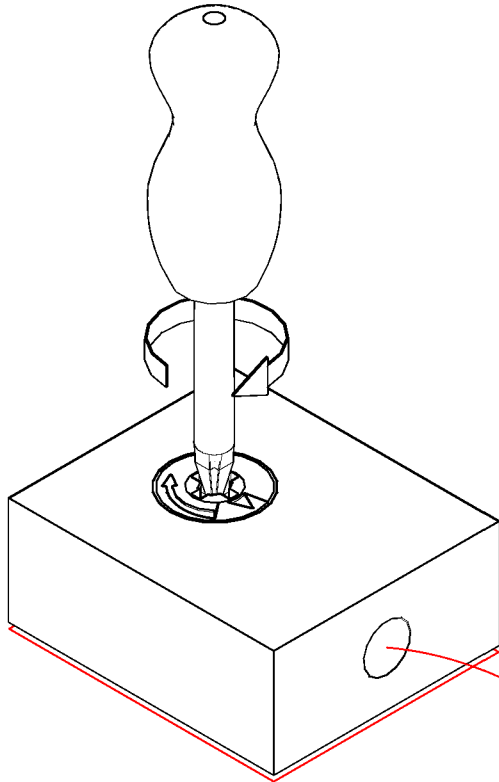


15



M2	 x 10 Ø15
K1	 20 Ø8 X 35
K2	 x 8 Ø8 X 30
K3	 x 4 Ø8 X 40

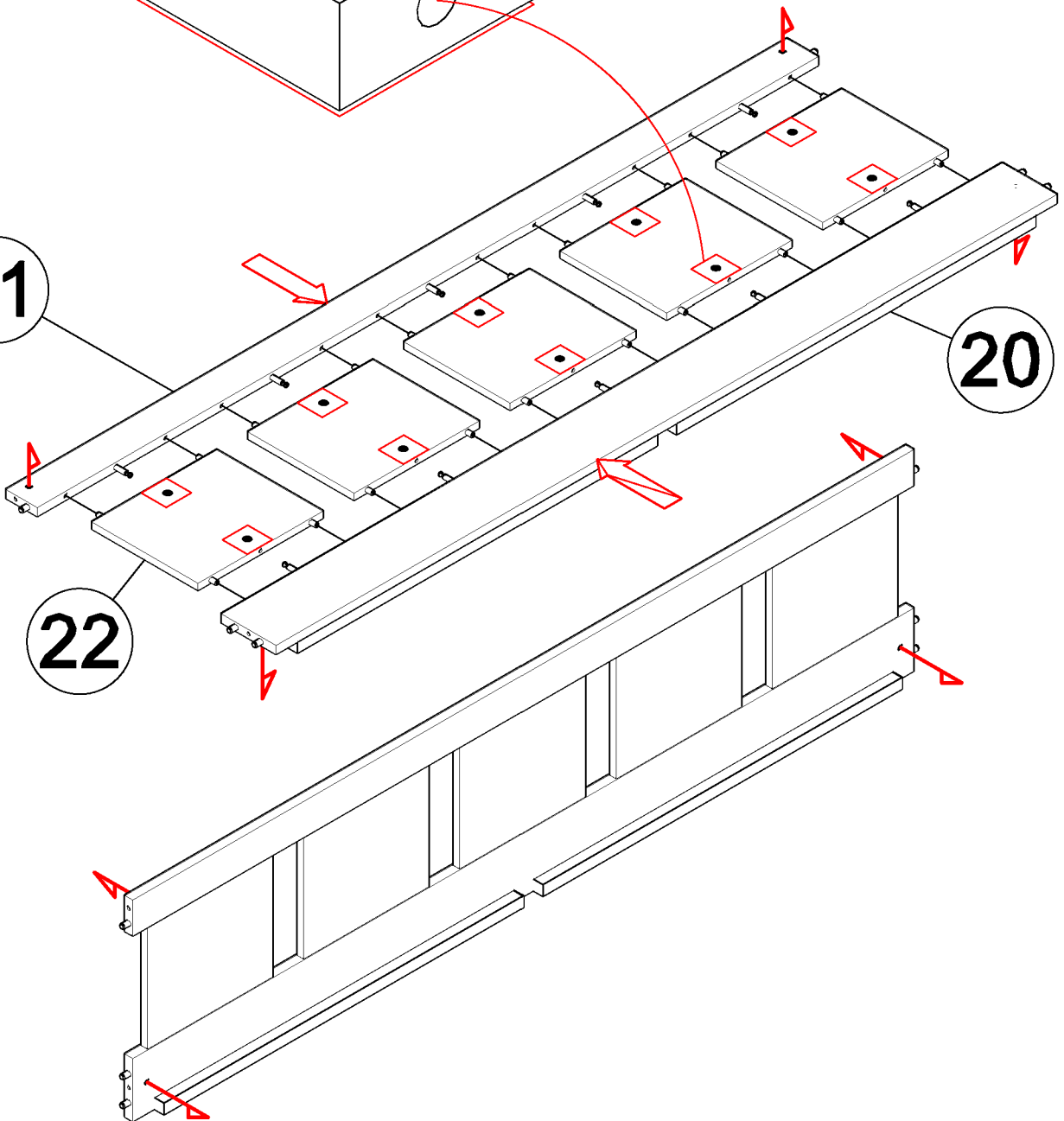
16



21

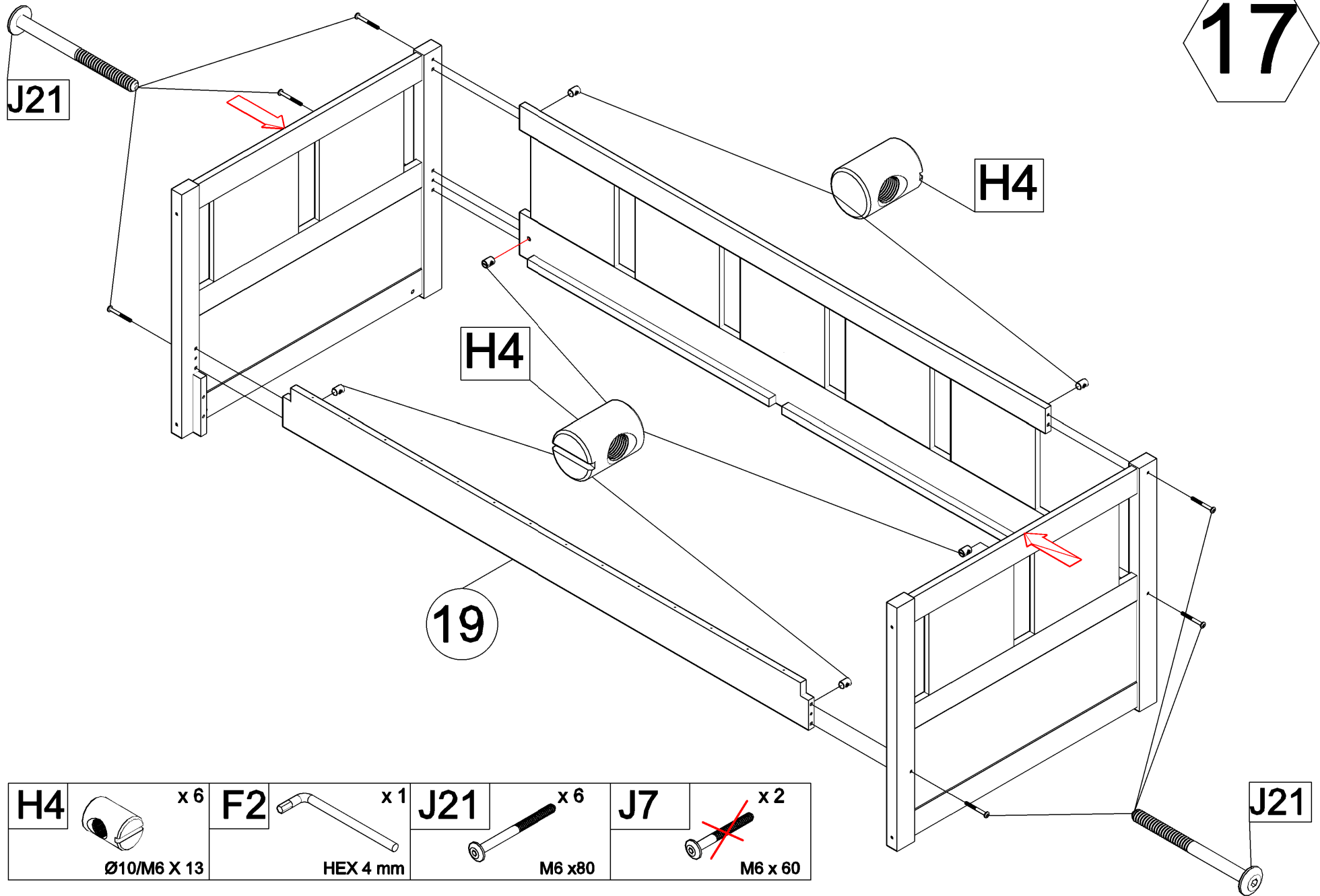
20

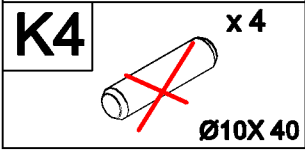
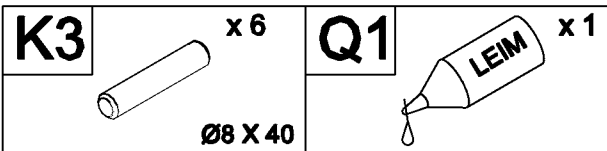
22



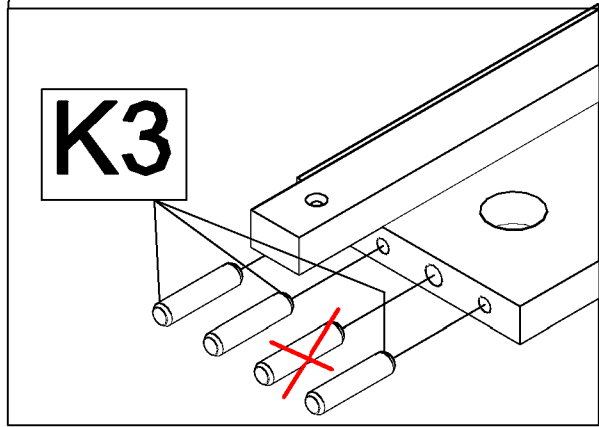
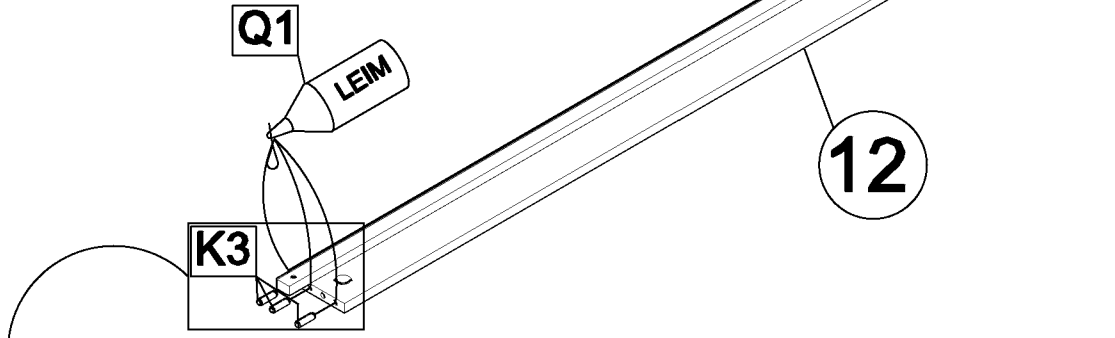
17

13/27

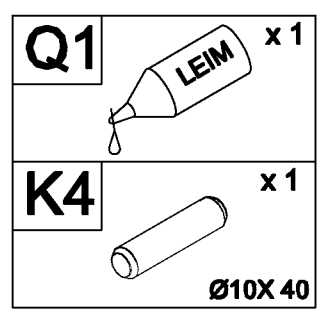
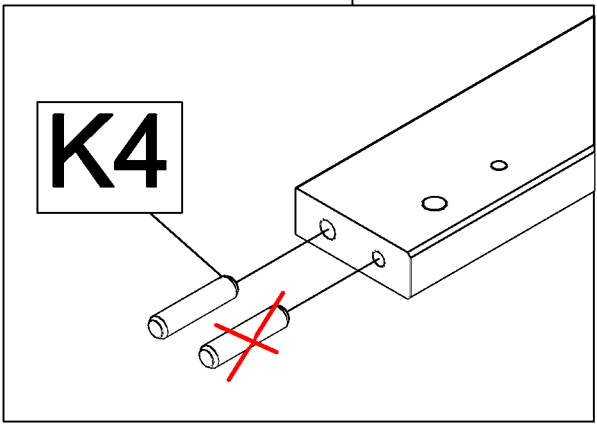
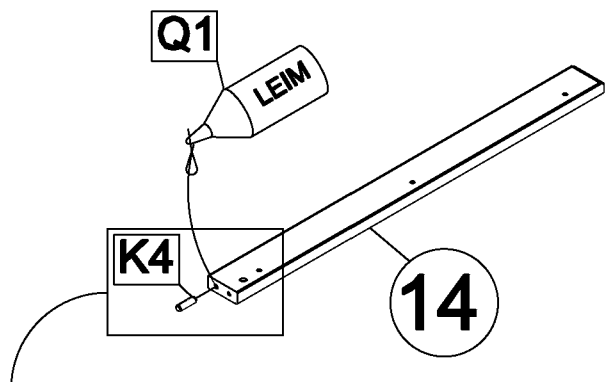


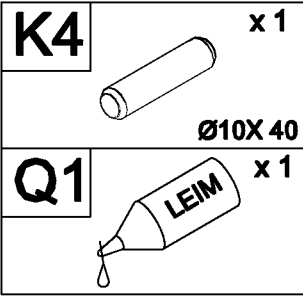


18

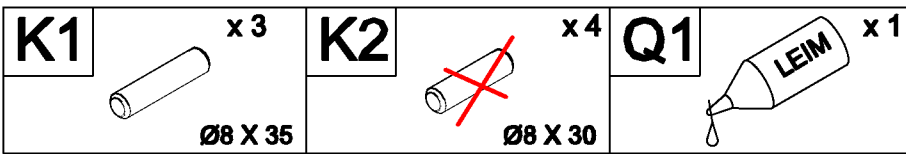
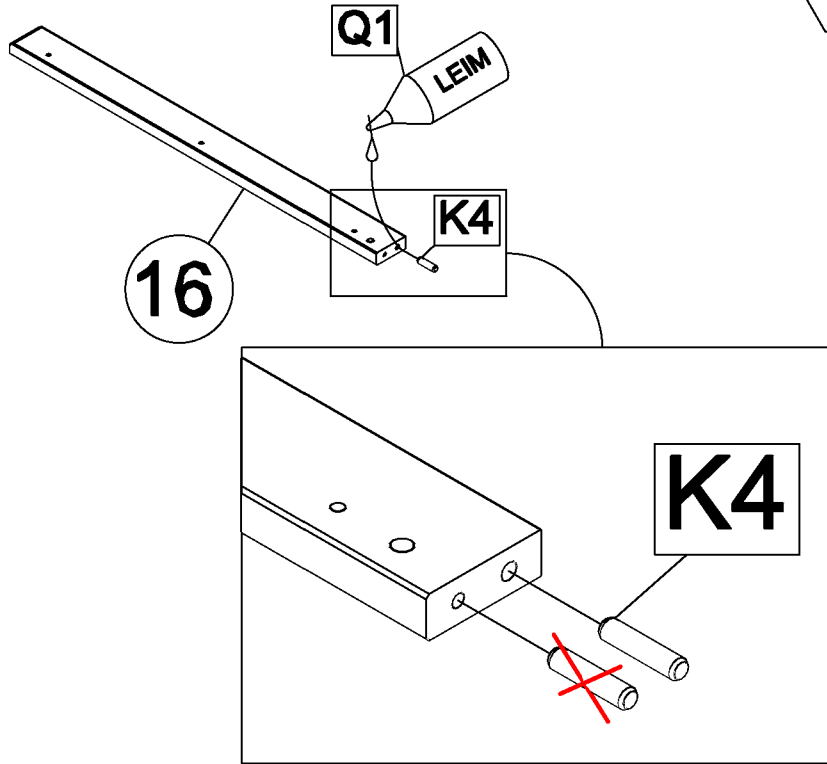


19

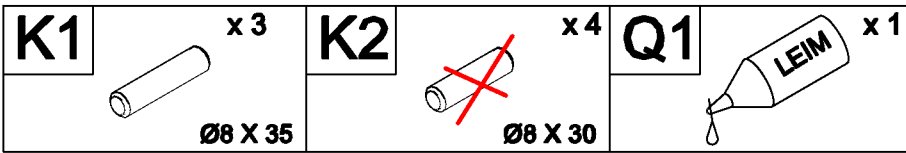
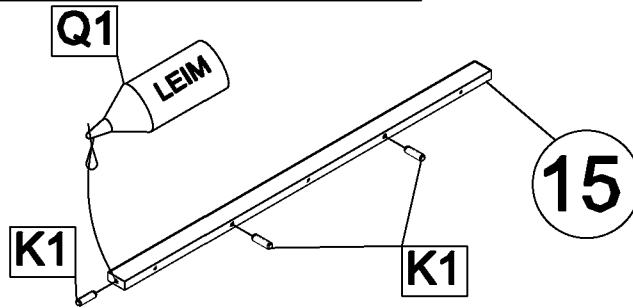




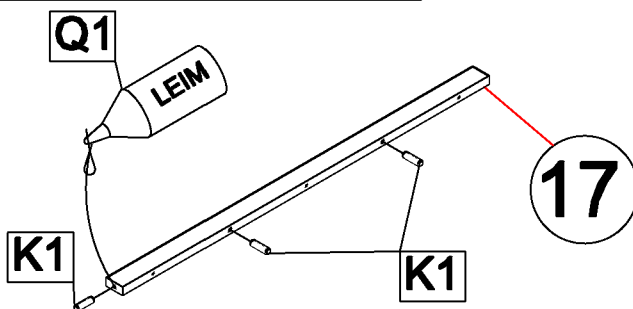
20

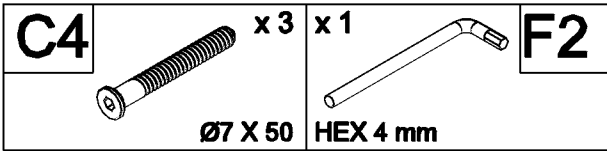


21

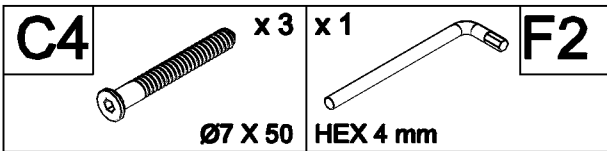
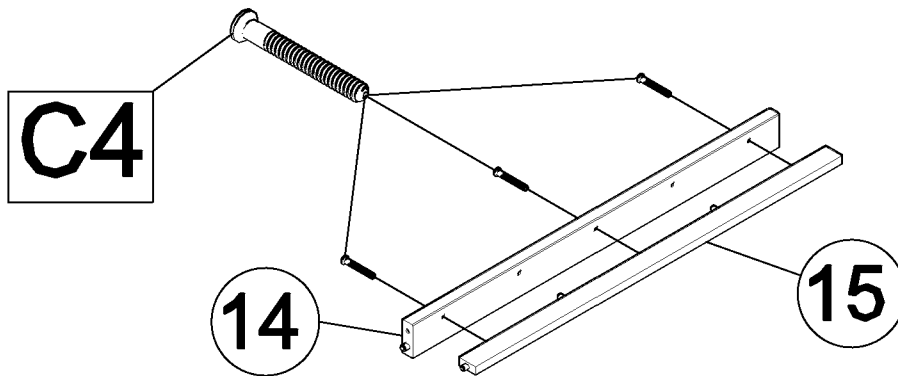


22

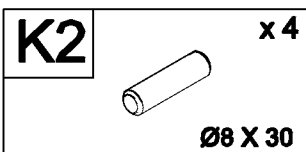
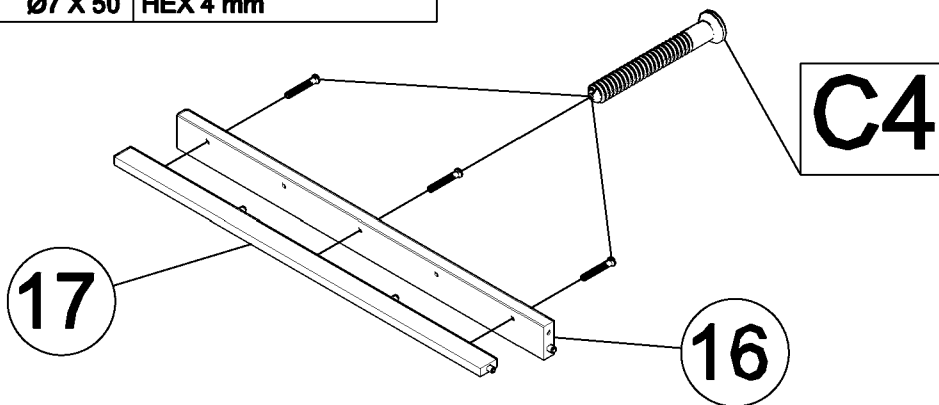




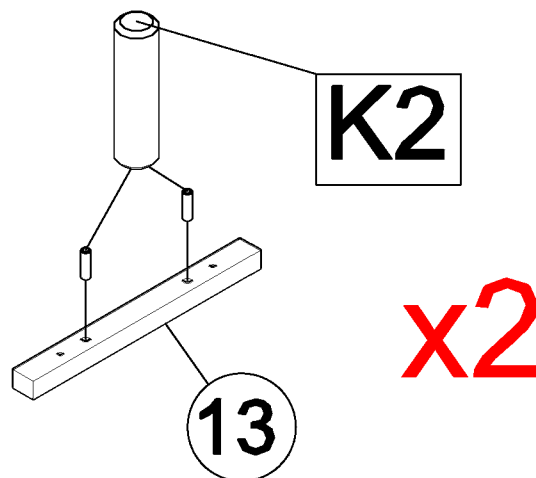
23



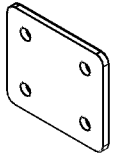
24



25



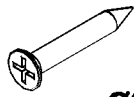
B14



x 1

40 x 35

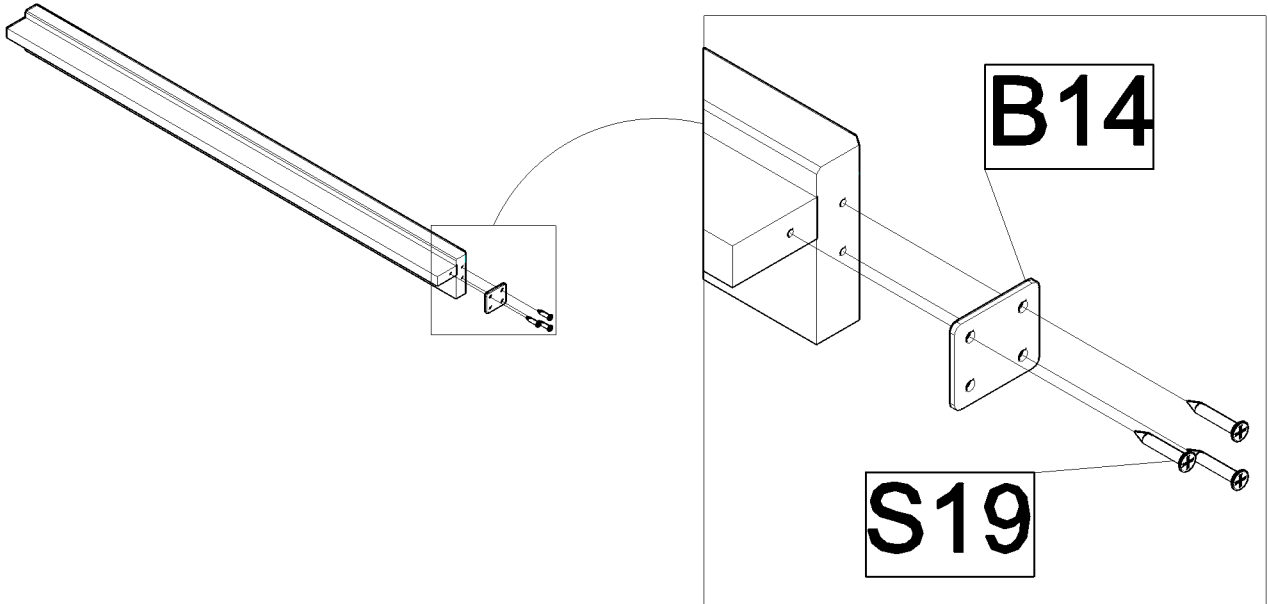
S19



x 3

Ø3,0 x 25

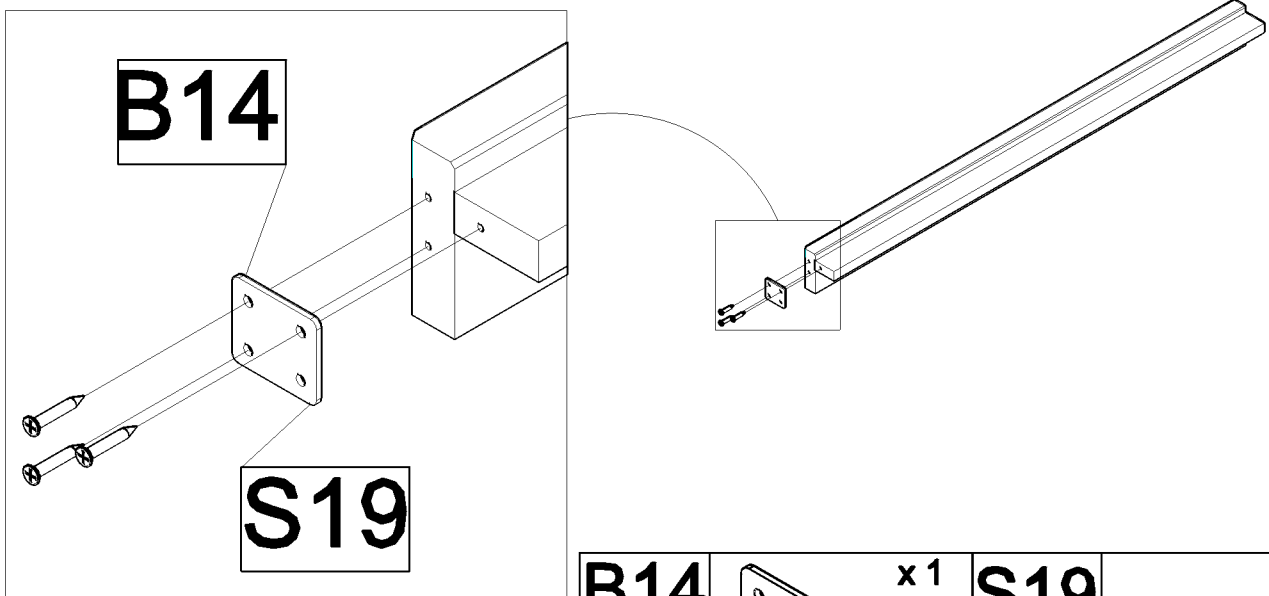
26



B14

S19

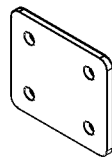
27



B14

S19

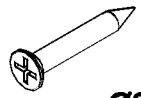
B14



x 1

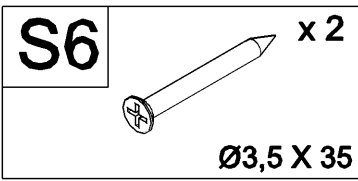
40 x 35

S19

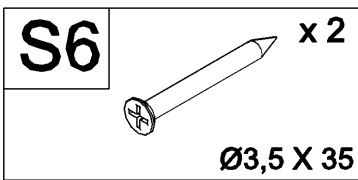
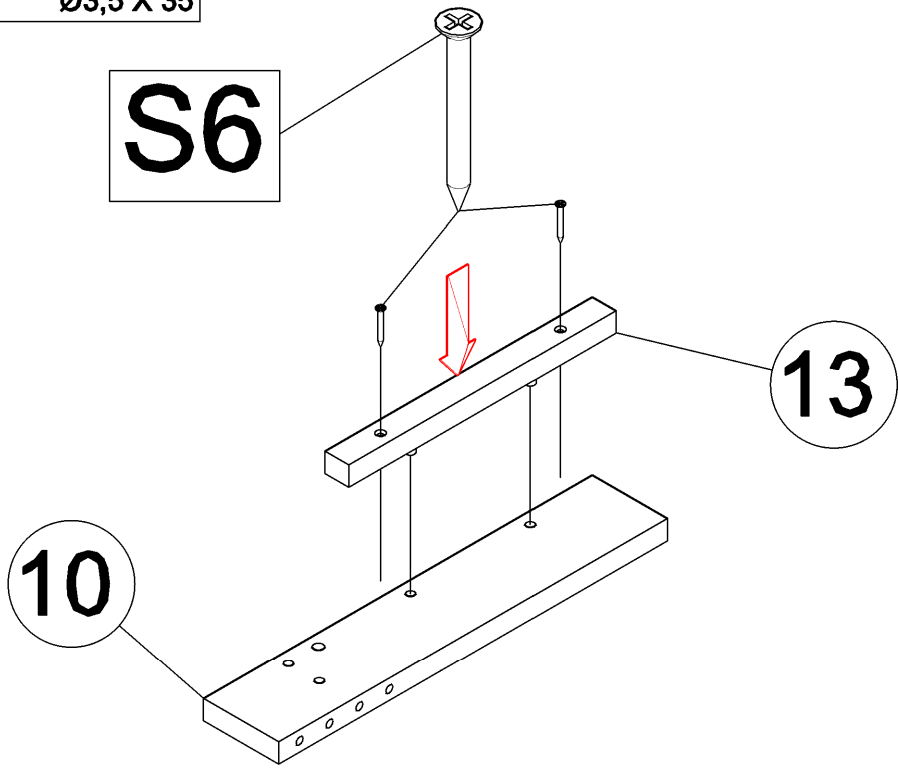


x 3

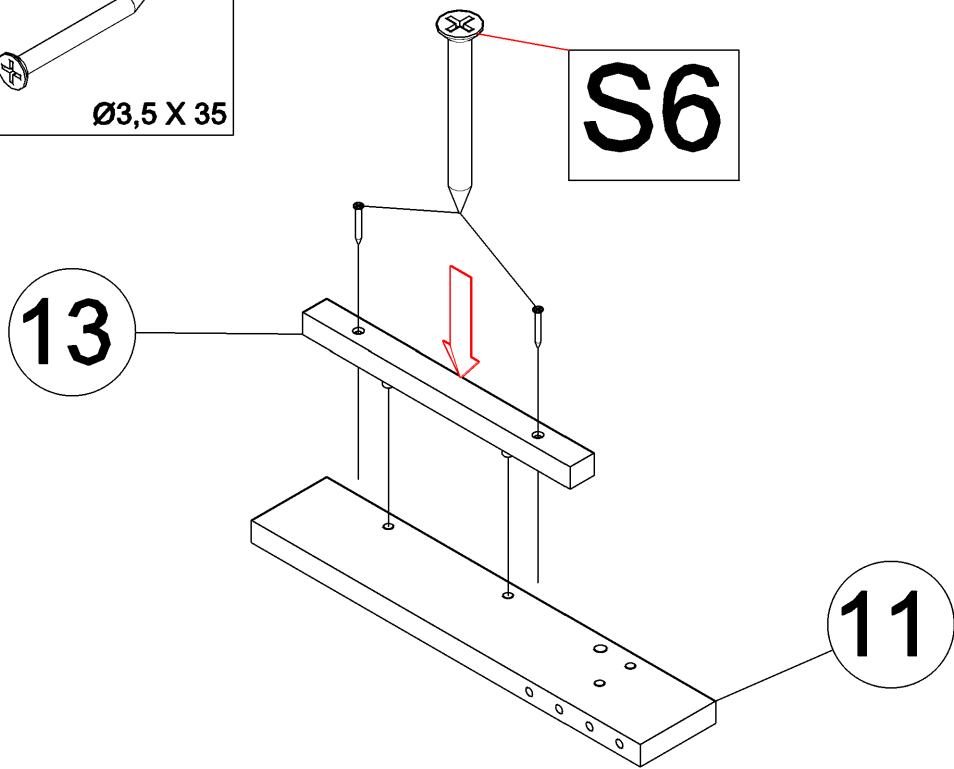
Ø3,0 x 25



28

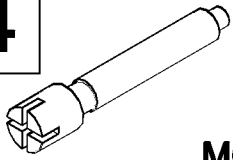


29



J4

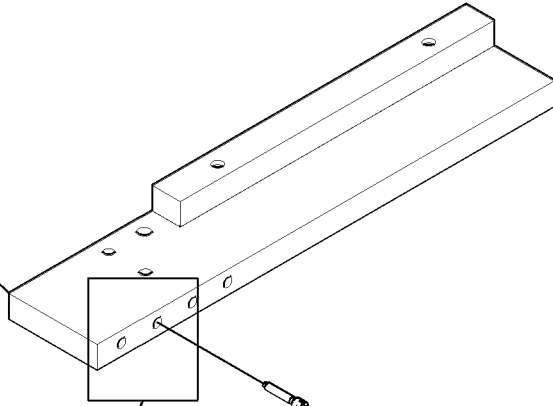
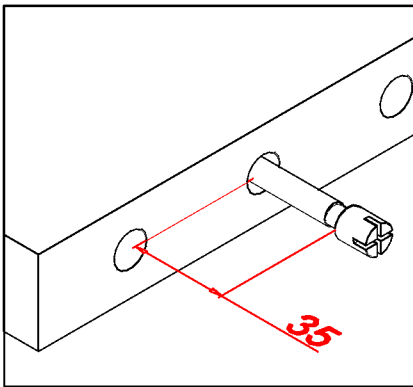
x 1



M6 X 50

30

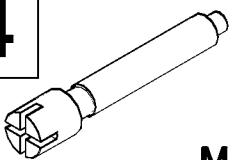
10



J4

J4

x 1

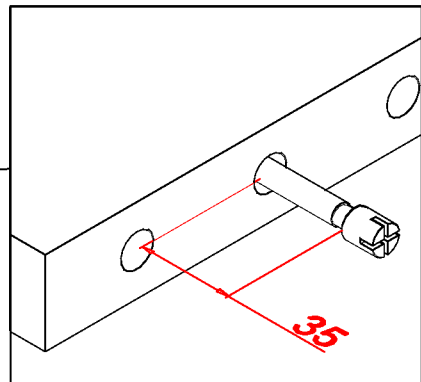
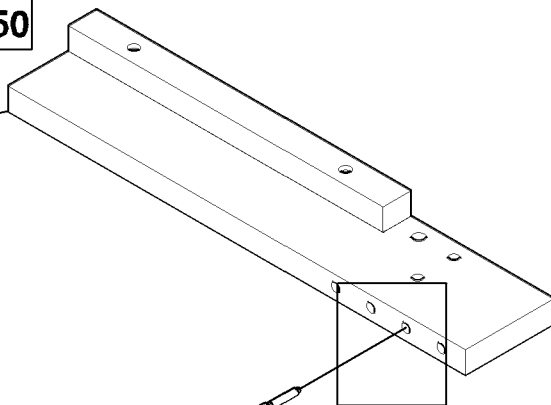



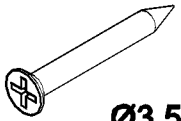
M6 X 50

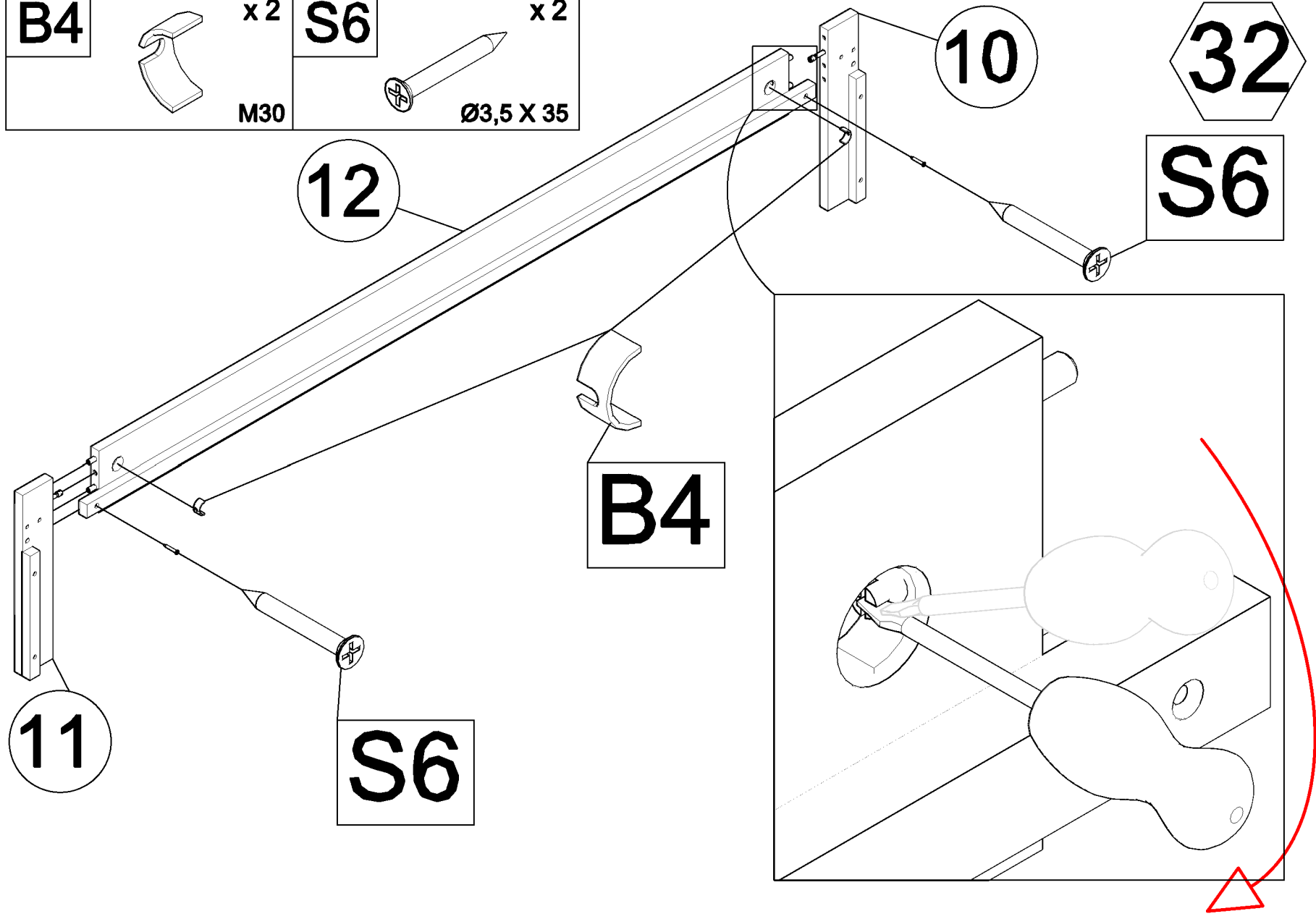
31

11

J4



B4		x 2	S6		x 2
		M30		Ø3,5 X 35	



12

10

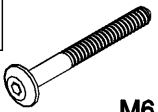

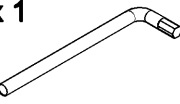
32

S6

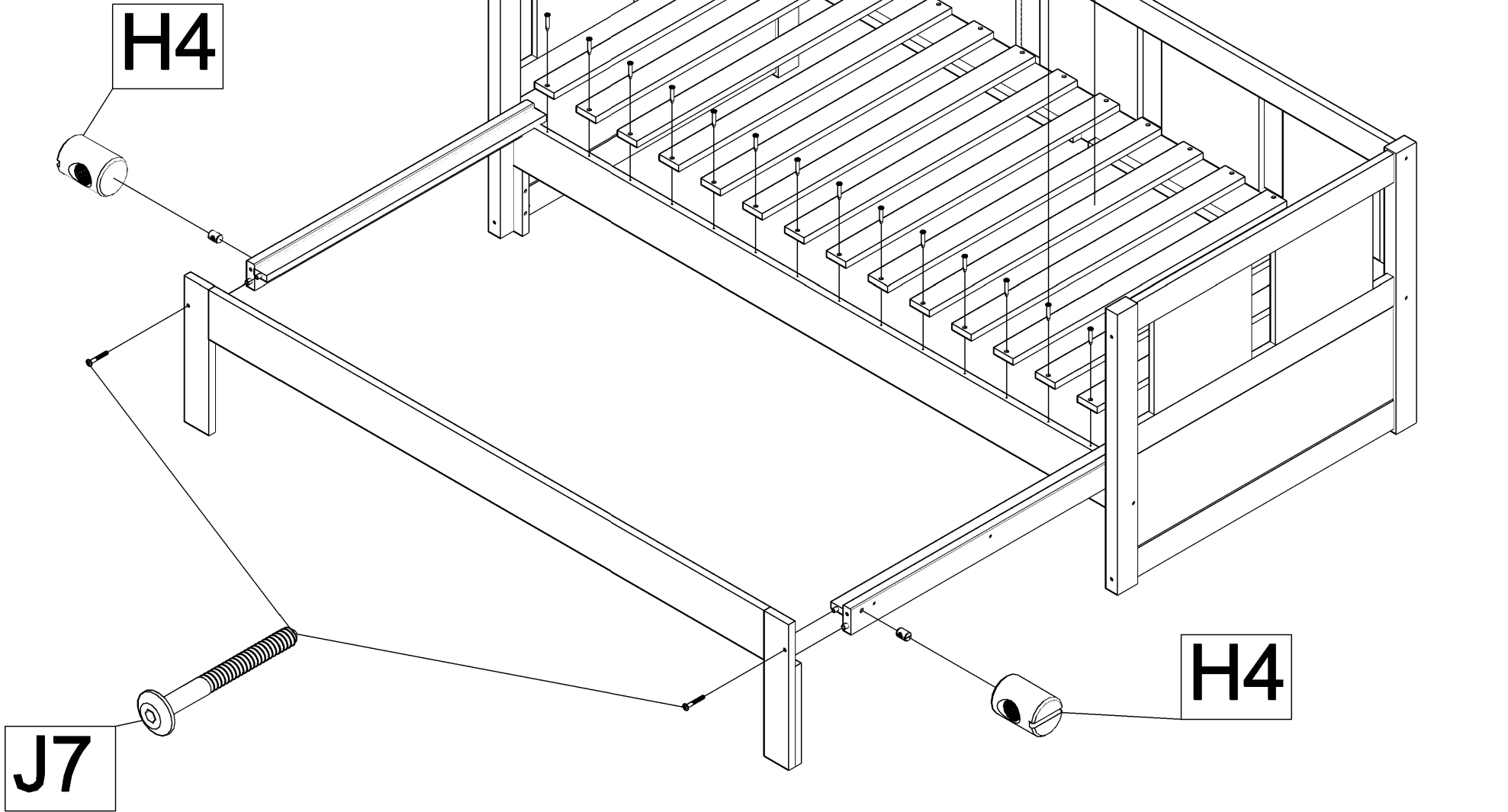
B4

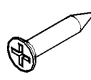
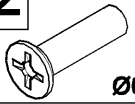
11

S6

J7	 x 2	H4	 x 2
	M6 X 60		Ø10/M6 X 13
x 1		F2	S5
HEX 4 mm			x 14
			Ø3,5 X 30

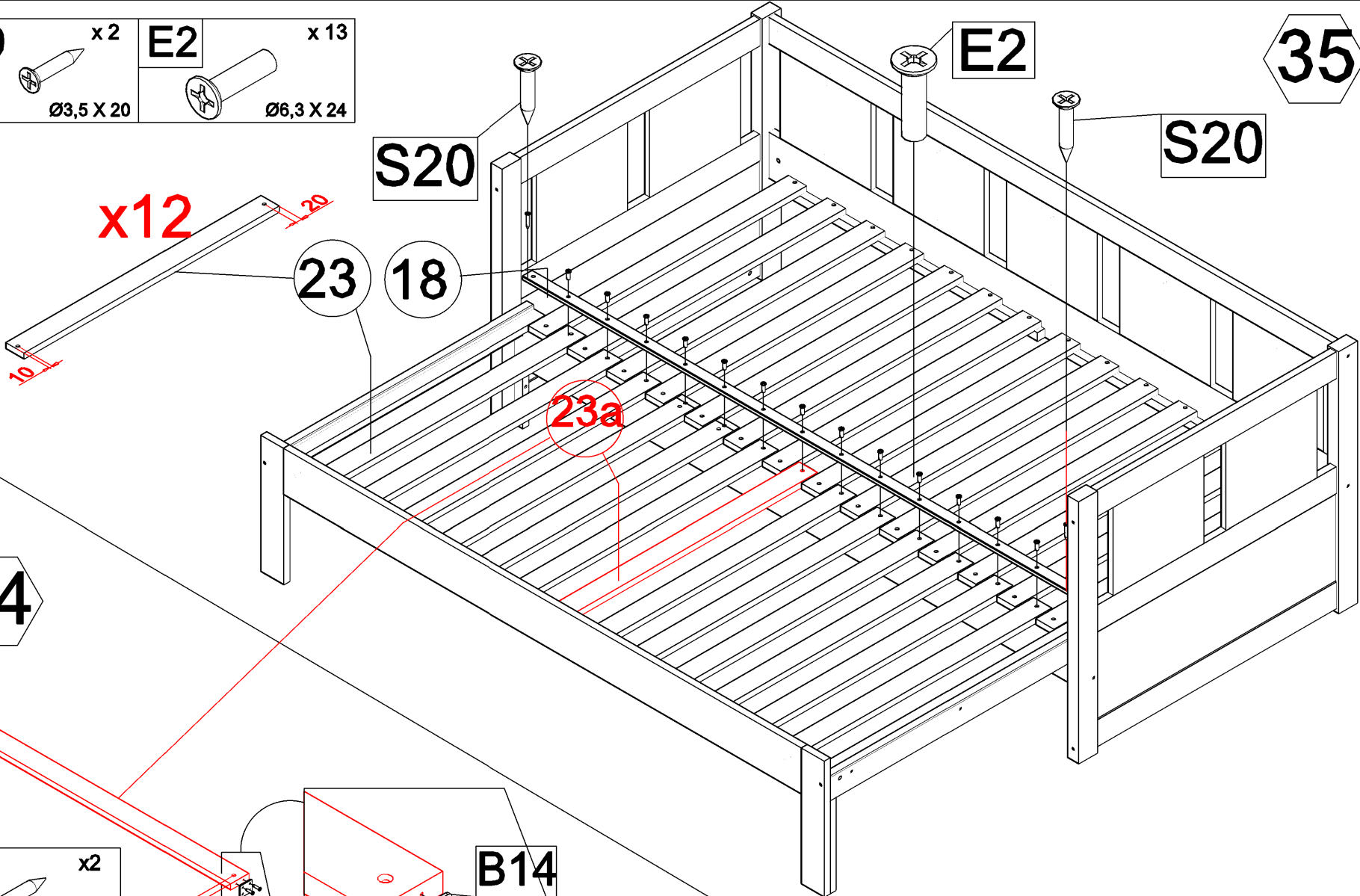
21/27



S20	x 2	E2	x 13
			
Ø3,5 X 20		Ø6,3 X 24	

35

22/27



x12

23

18

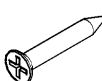
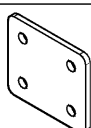
23a

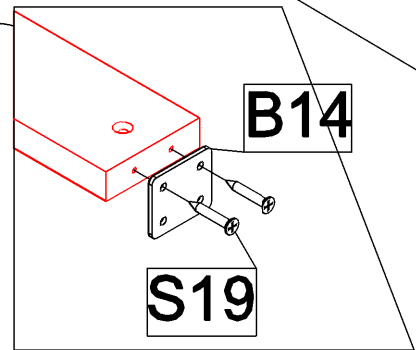
S20

E2

S20

34

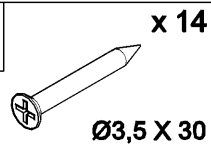
S19	x 2
	
Ø3,0 x 25	
B14	x 1
	
40 x 35	



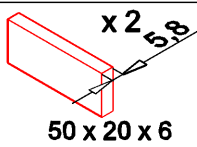
B14

S19

S5

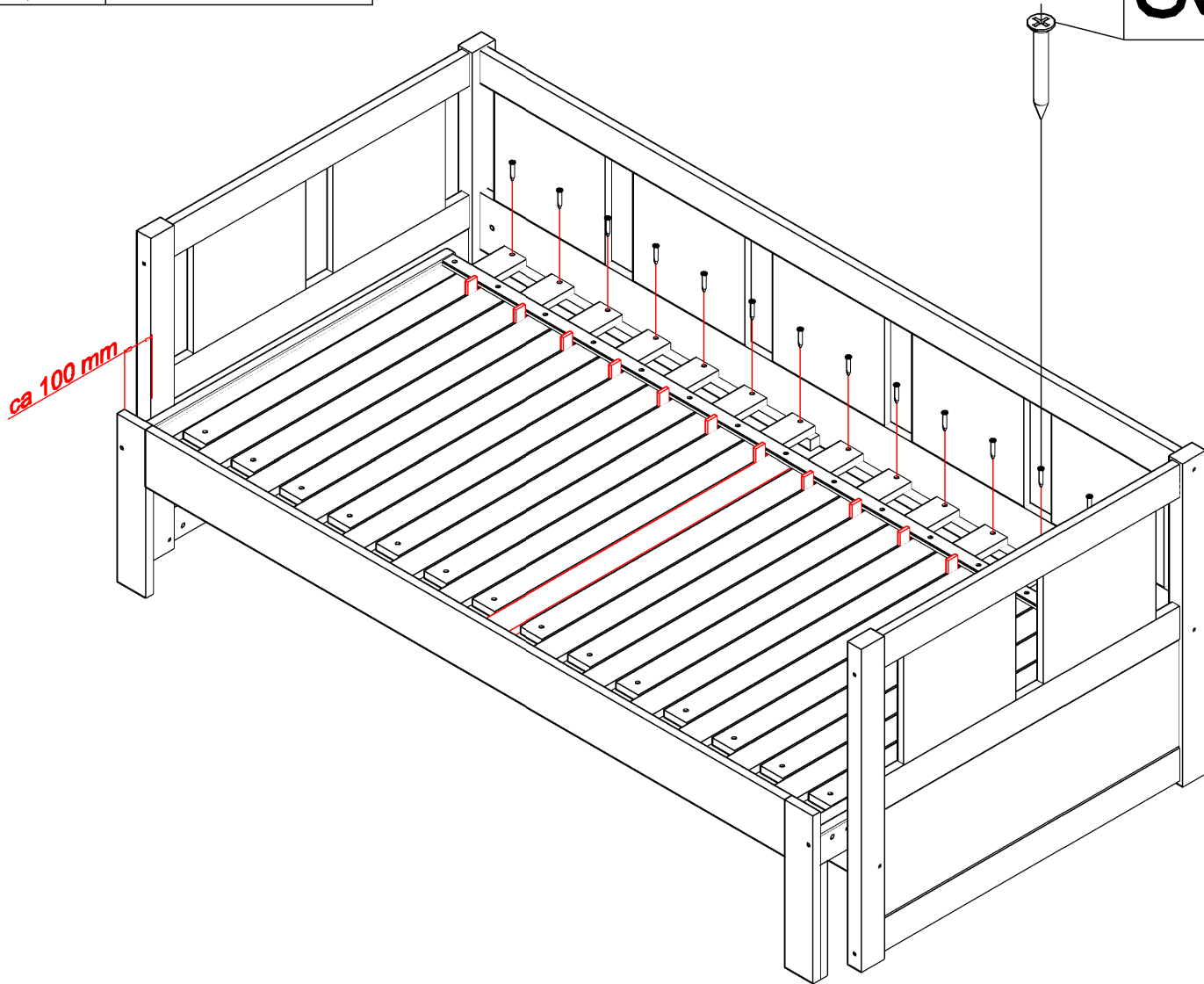


X1



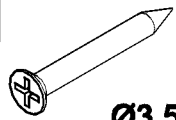
36

S5



23/27

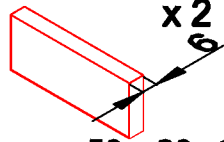
S5



Ø3,5 X 30

x 13

X1

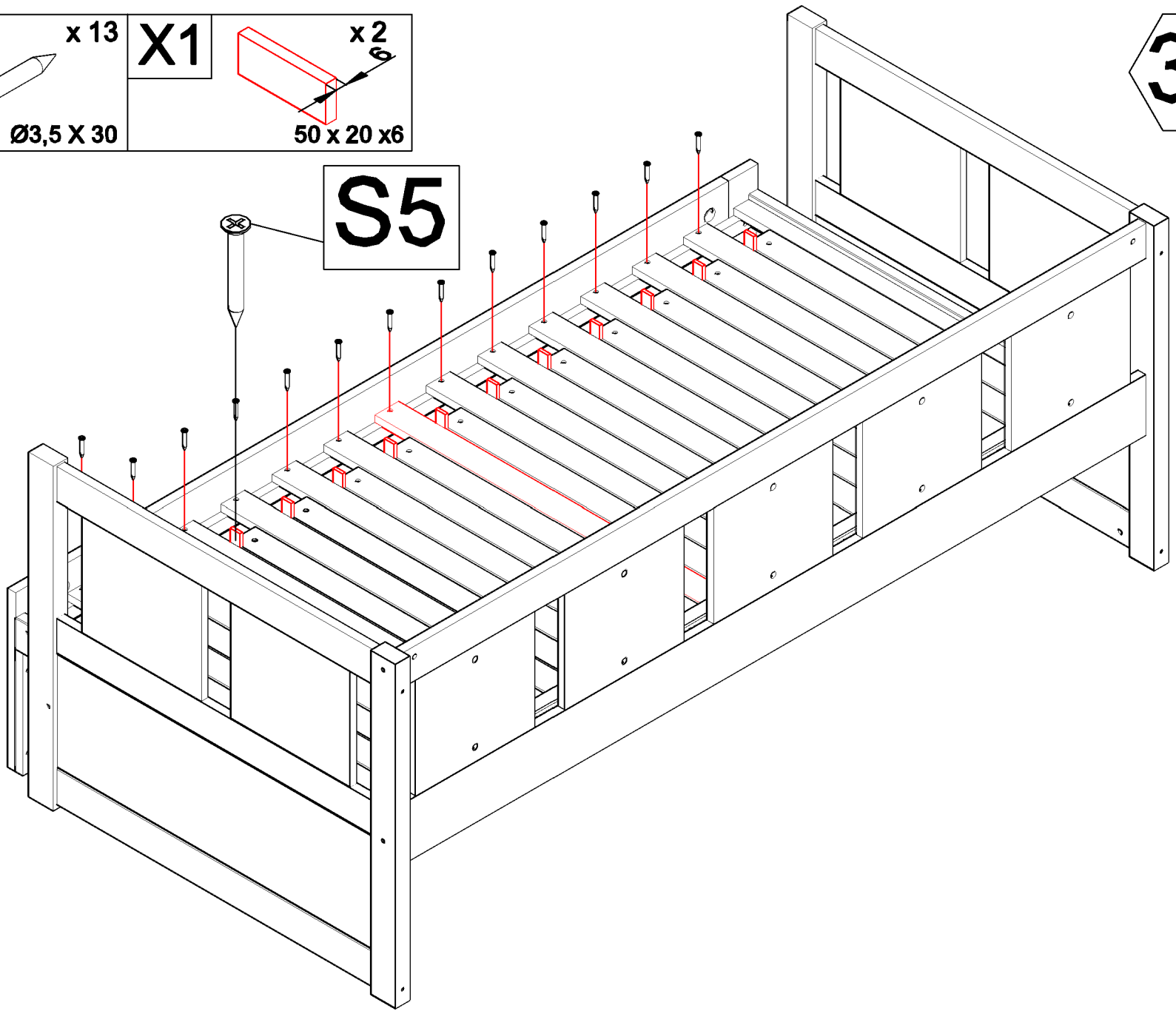


50 x 20 x 6

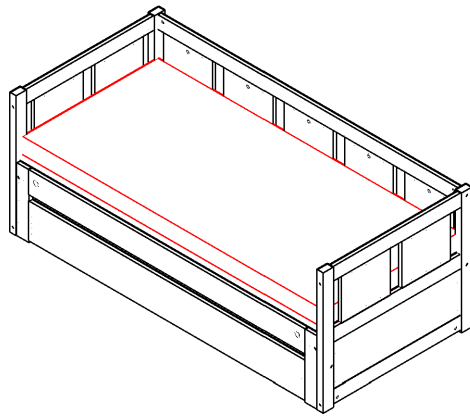
x 2

37

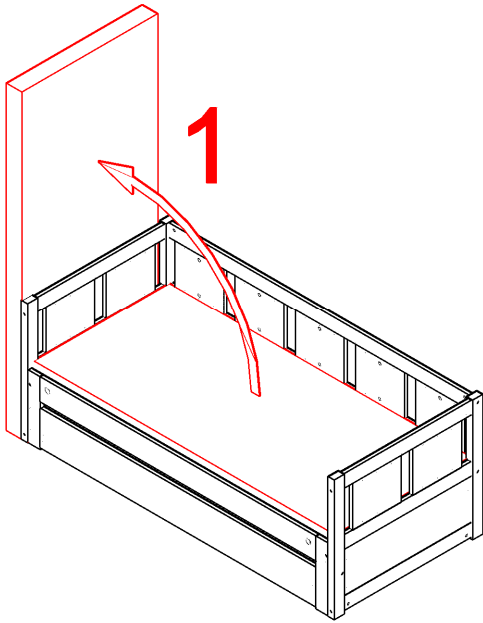
S5



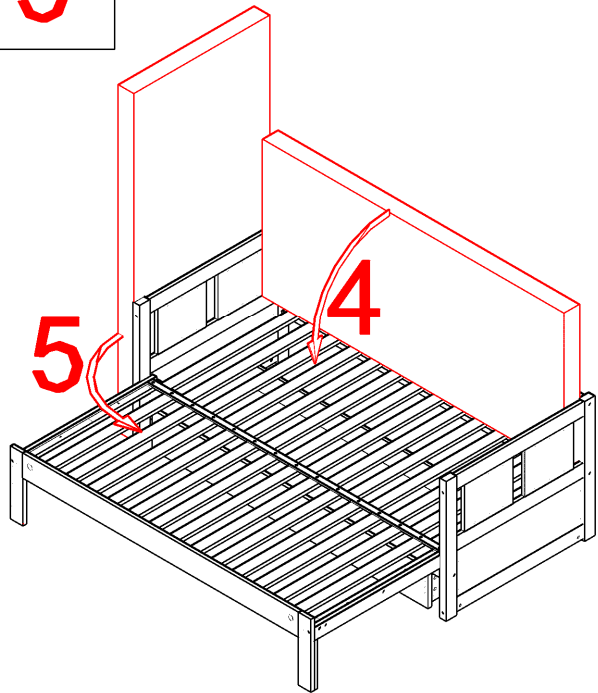
24/27



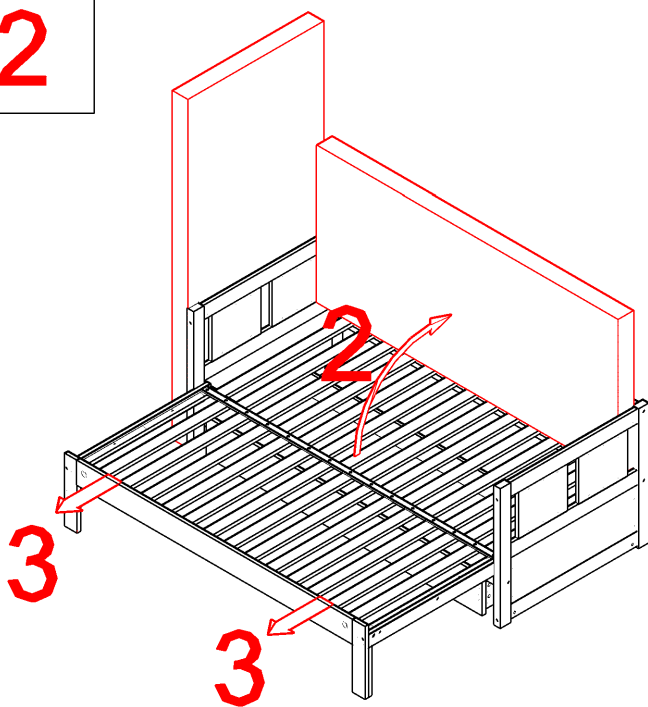
1



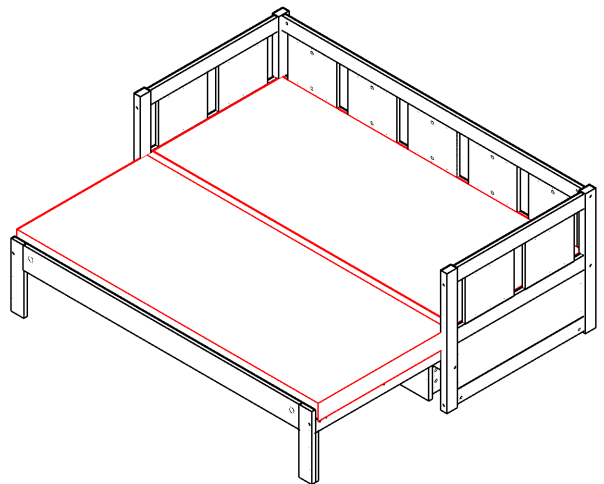
3

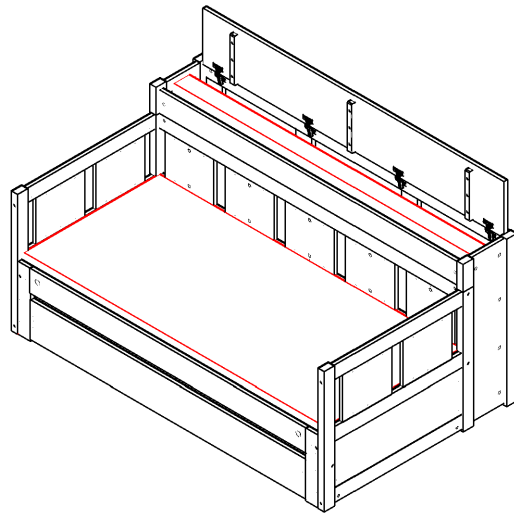


2

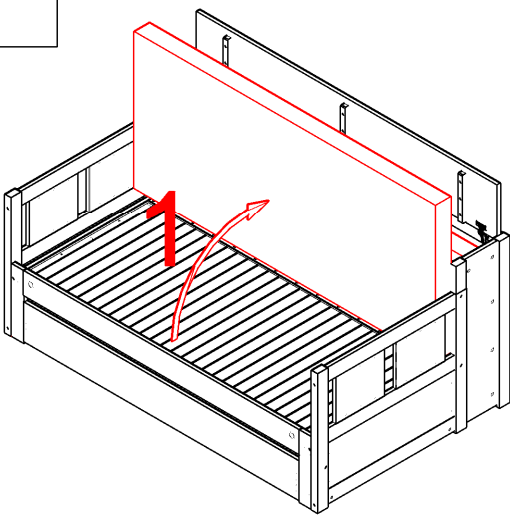


4

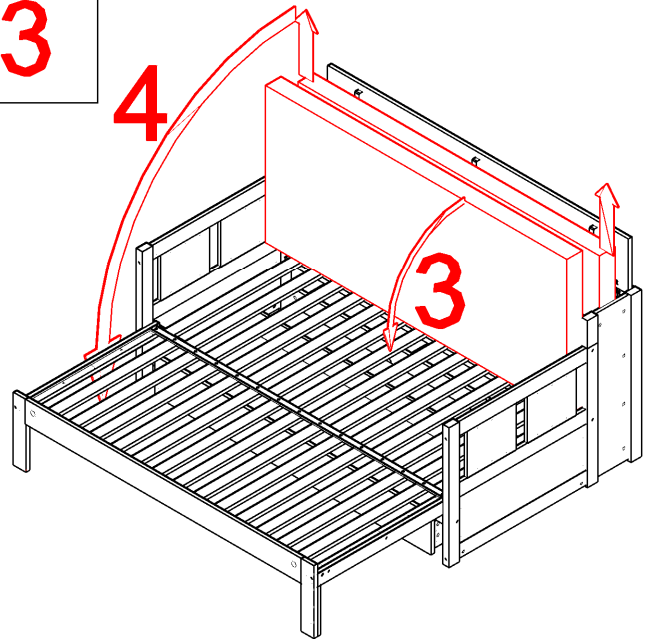




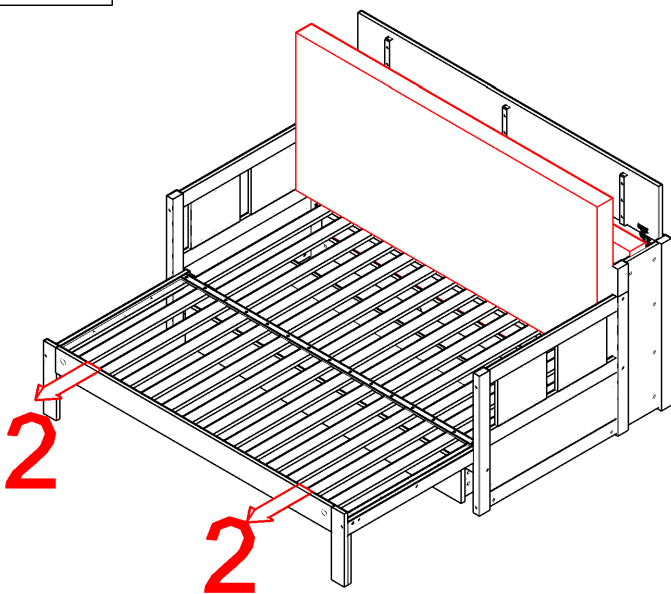
1



3



2



4

