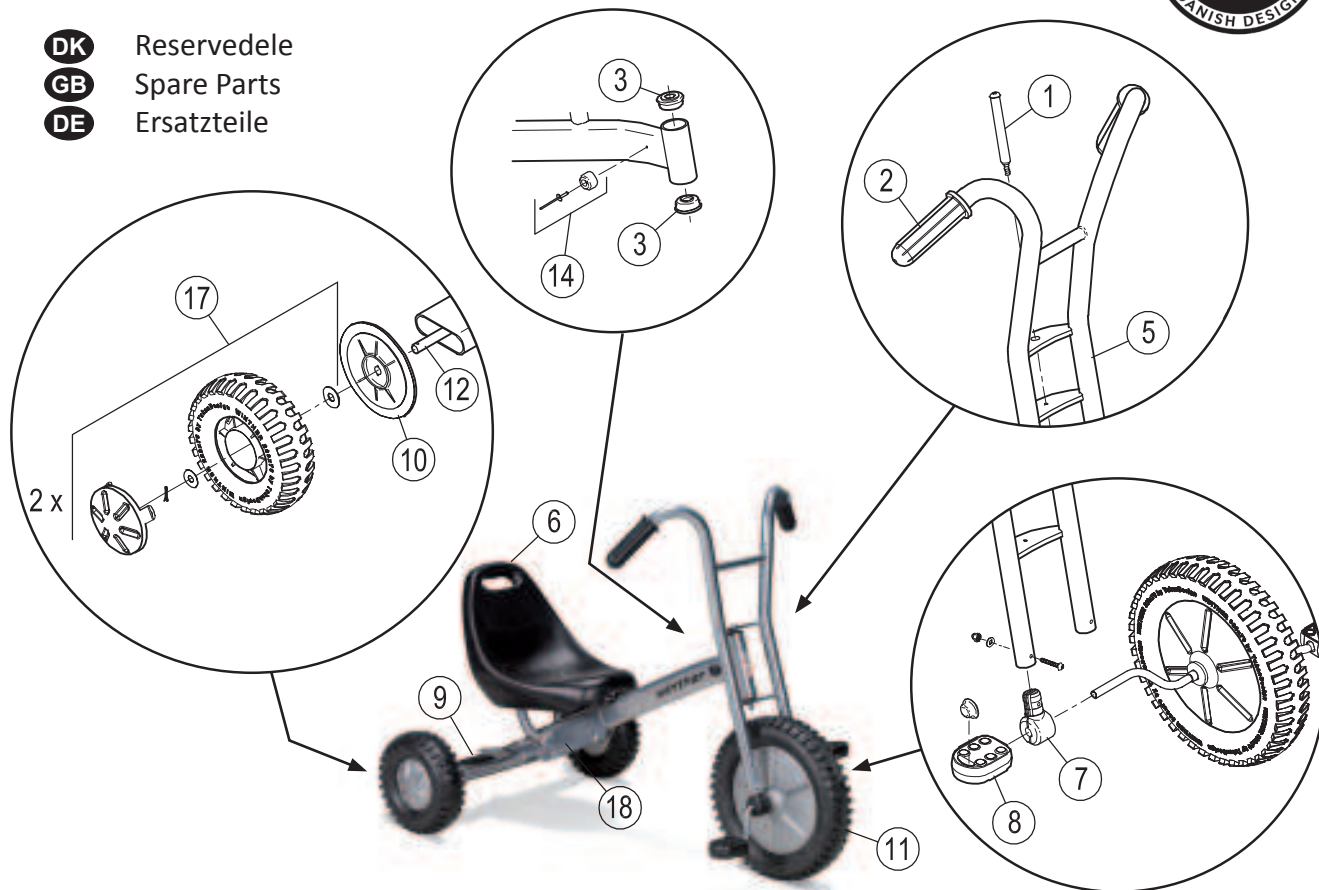


469.74



- DK** Reservedele
- GB** Spare Parts
- DE** Ersatzteile



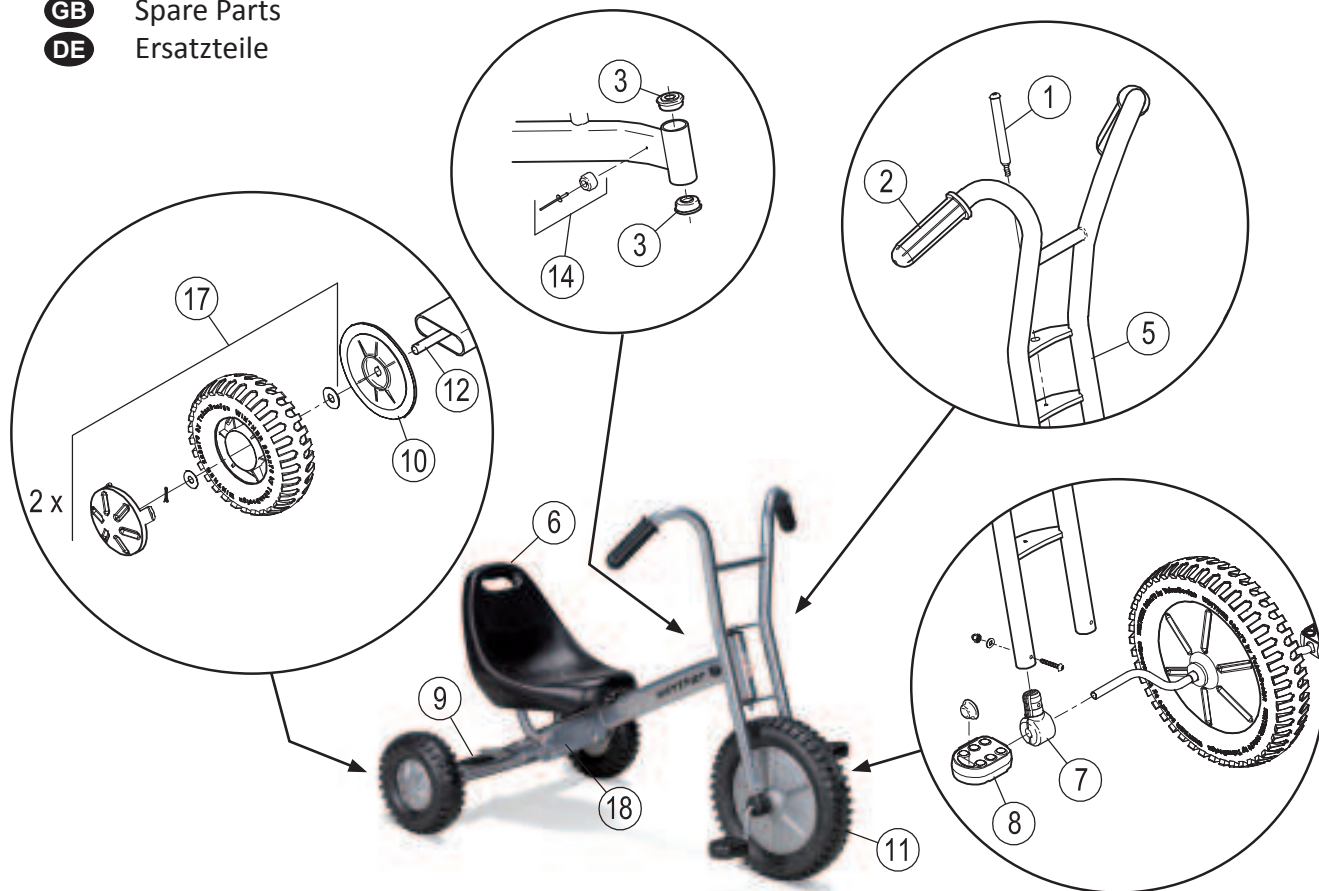
| Pos. | | Pos. | | Pos. | |
|------|----------------------|------|----------------------|------|----------|
| 1 | x1 x2 x2 x1 | 7 | x2 x2 x2 x1 | 13 | |
| 2 | x2 x2 | 8 | x2 x2 | 14 | x2 x2 |
| 3 | x2 | 9 | x2 | 15 | |
| 4 | | 10 | x2 | 16 | |
| 5 | | 11 | | 17 | |
| 6 | | 12 | | 18 | |



469.74



- DK** Reservedele
- GB** Spare Parts
- DE** Ersatzteile



| 469.74 | | | | | |
|---------|-------|--|--|--|--|
| Version | | | | | |
| Pos. | 1.0 | | | | |
| 1 | 50502 | | | | |
| 2 | 50503 | | | | |
| 3 | 50504 | | | | |
| 4 | - | | | | |
| 5 | 50742 | | | | |
| 6 | 50595 | | | | |
| 7 | 50506 | | | | |
| 8 | 50510 | | | | |
| 9 | 50511 | | | | |
| 10 | 50519 | | | | |
| 11 | 50781 | | | | |
| 12 | 50753 | | | | |
| 13 | - | | | | |
| 14 | 50531 | | | | |
| 15 | - | | | | |
| 16 | - | | | | |
| 17 | 50754 | | | | |
| 18 | 50740 | | | | |

