

550.50

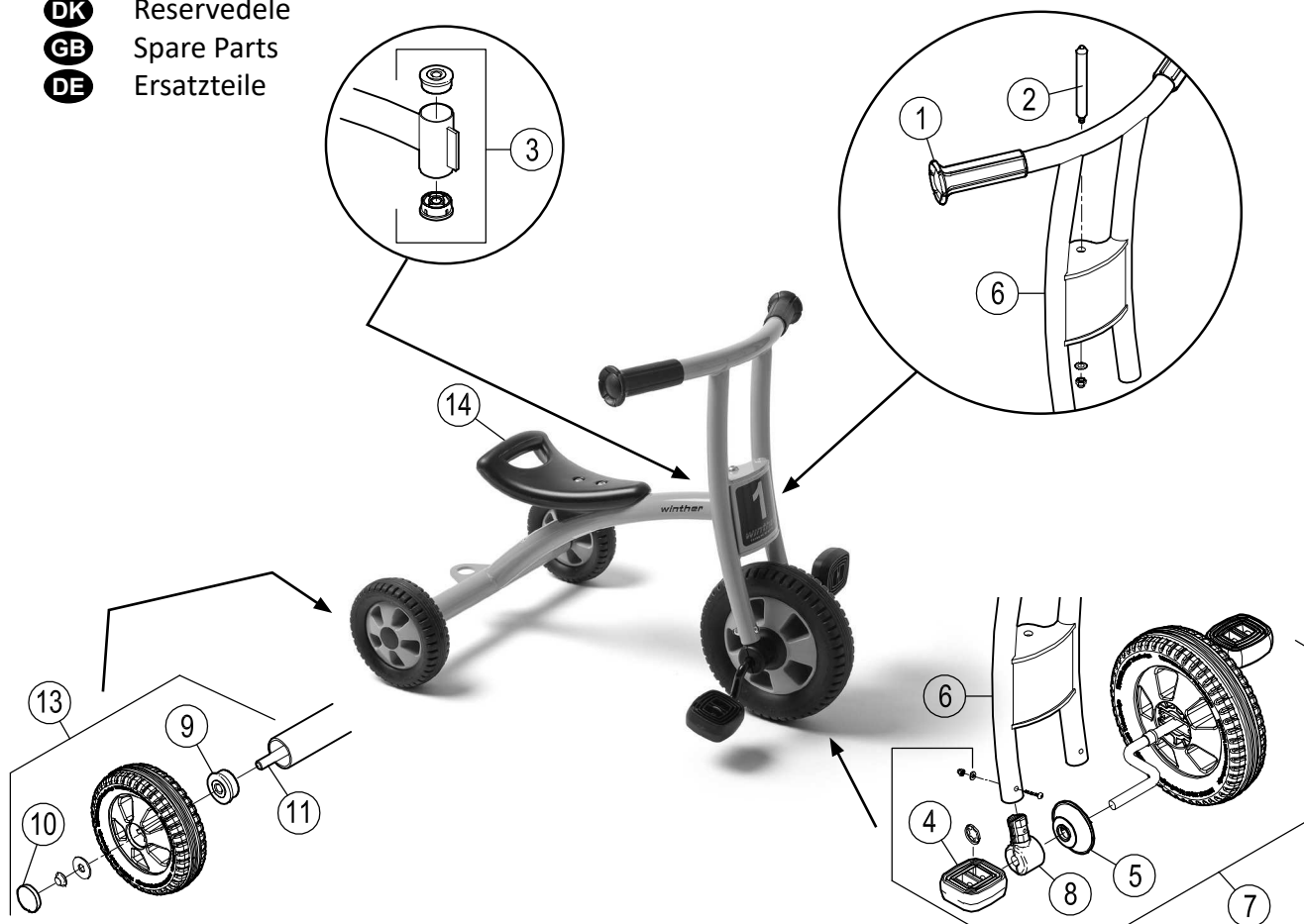


EN 71

ASTM F963



- DK** Reservedele
- GB** Spare Parts
- DE** Ersatzteile



| Pos. | | Pos. | |
|------|--------------------------------|------|------------------|
| 1 | x2 | 8 | x2 x2 x1 |
| 2 | x1 x2 x1 x1 x1 | 9 | x2 |
| 3 | x2 | 10 | x2 |
| 4 | x2 x2 | 11 | x1 x2 x2 |
| 5 | x2 | 12 | |
| 6 | | 7 | |
| 13 | | 14 | |

550.50

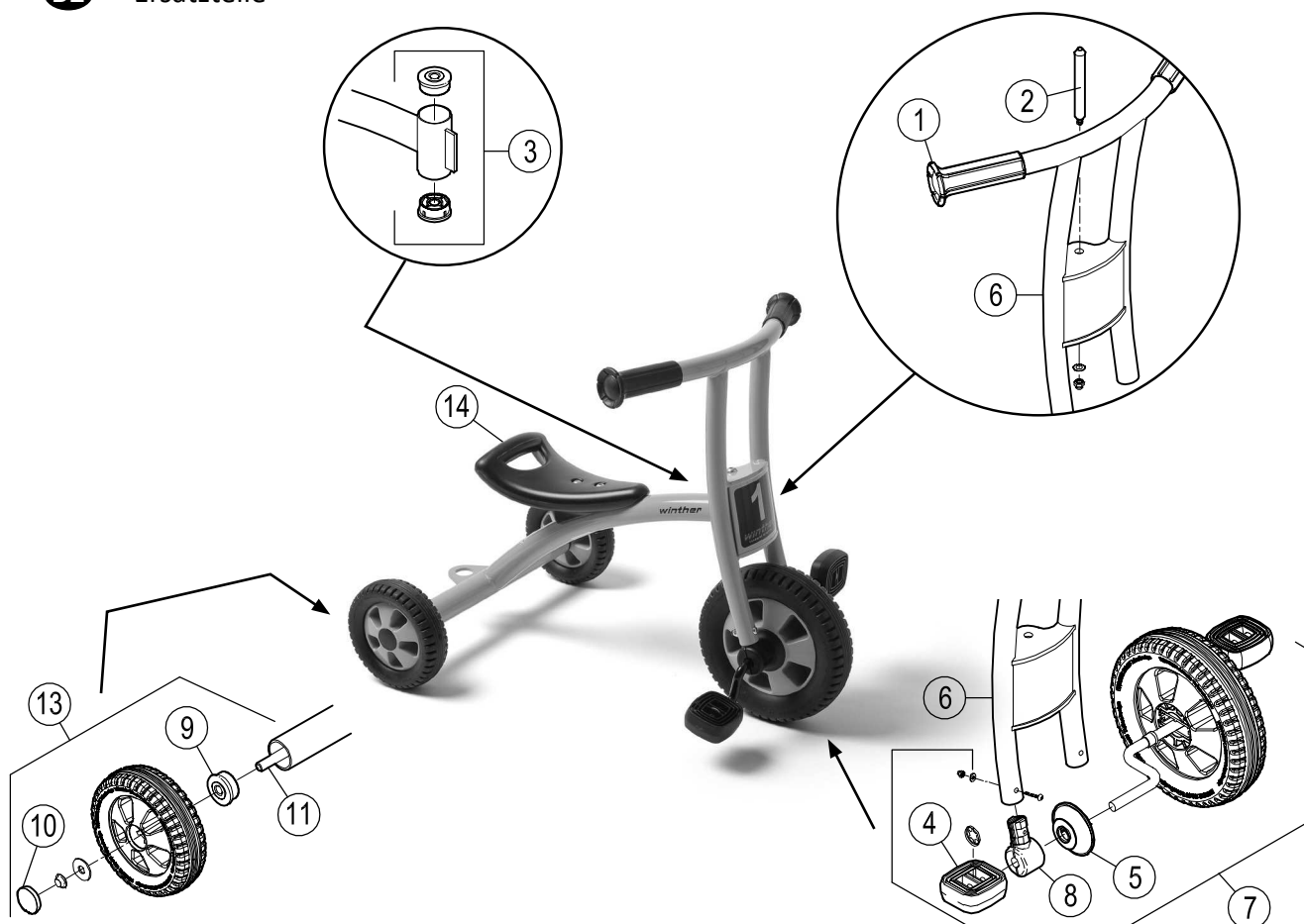


EN 71

ASTM
F963



- DK** Reservedele
- GB** Spare Parts
- DE** Ersatzteile



| 550.50 | | | | | |
|---------|-------|--|--|--|--|
| Version | | | | | |
| Pos. | 1.0 | | | | |
| 1 | 50403 | | | | |
| 2 | 50401 | | | | |
| 3 | 50404 | | | | |
| 4 | 50410 | | | | |
| 5 | 50270 | | | | |
| 6 | 50450 | | | | |
| 7 | 50277 | | | | |
| 8 | 50406 | | | | |
| 9 | 50418 | | | | |
| 10 | 50285 | | | | |
| 11 | 50291 | | | | |
| 12 | - | | | | |
| 13 | 50286 | | | | |
| 14 | 50480 | | | | |
| 15 | - | | | | |

