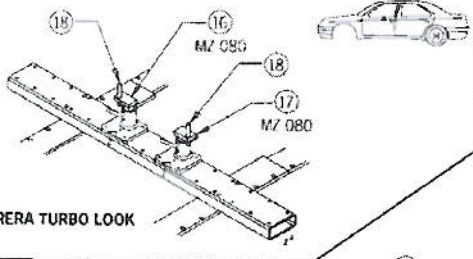


CELETTE.

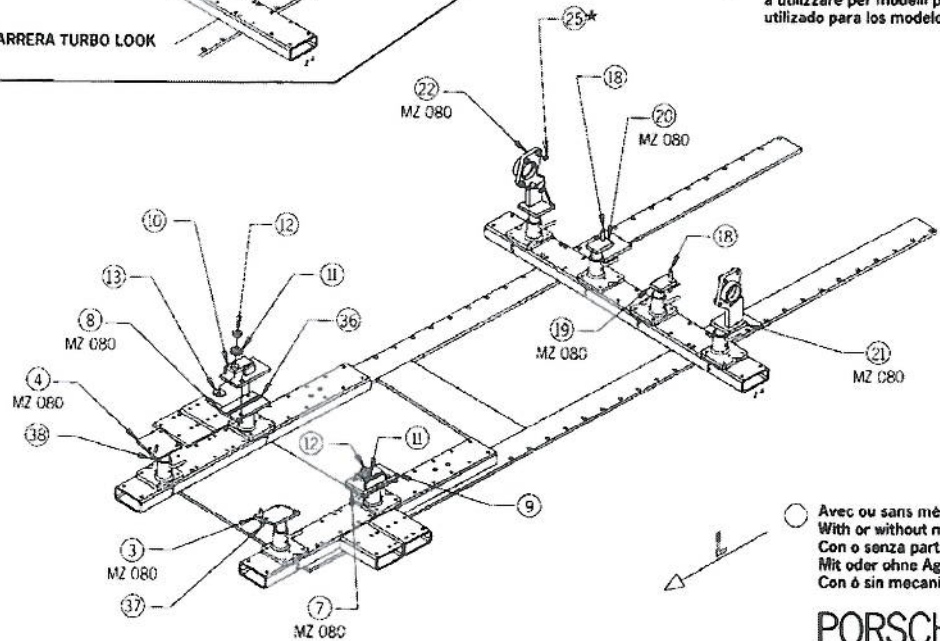
PORSCHE 911 70 →

SAUF
EXCEPT
AUSSEER
SALVO

911 TURBO



à utiliser pour modèles avant Août 76.
to be used for models before August 76.
Für Modelle vor August 76 zu verwenden.
a utilizzare per modelli prima di Agosto 76.
utilizado para los modelos antes de Agosto 76.



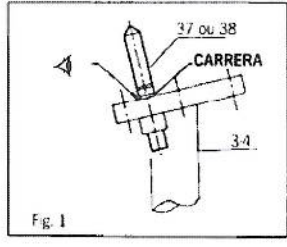
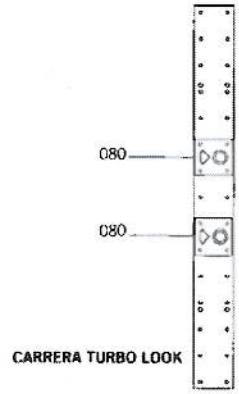
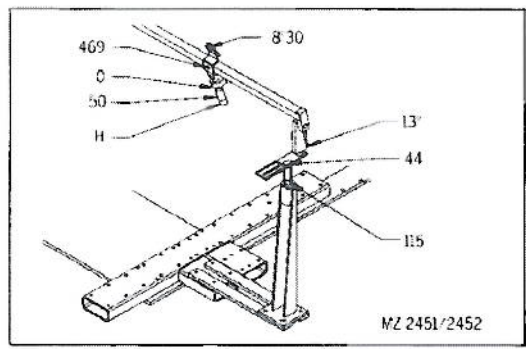
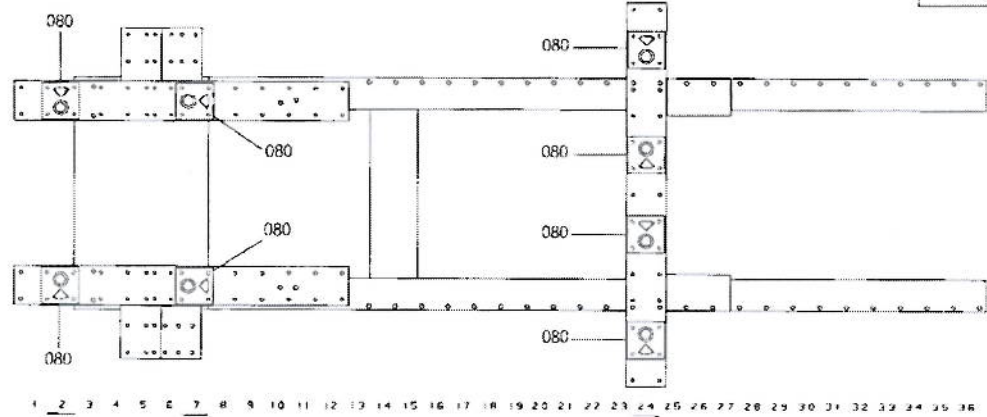
REF	REFERENCE	PDS	NS	MZ
1	551.701	2.4	1	141
2	551.702	2.4	1	142
3	551.703	2.5	1	140
4	551.704	2.5	1	140
5	551.705	3.0	1	
6	551.706	3.0	1	
7	551.707	2.9	1	080
8	551.708	2.9	1	080
9	551.709	2.9	1	
10	551.710	2.9	1	
11	551.711	0.2	2	
12	551.712	0.1	2	
13	551.713	0.1	2	
14	551.714	2.8	1	502
15	551.715	2.8	1	501
16	551.716	1.3	1	080
17	551.717	1.3	1	080
18	551.718	0.2	2	
19	551.719	1.5	1	200
20	551.720	1.5	1	200
21	551.721	4.9	1	080
22	551.722	4.9	1	080
23	551.723	4.4	2	
24	551.724	0.9	2	
25	551.725	0.1	8	
26	551.726	4.9	1	
27	551.727	4.9	1	
28	551.728	4.1	2	260
29	551.729	4.5	1	260
30	551.730	4.5	1	260
36	551.736	0.1	2	
37	551.737	0.1	1	
38	551.738	0.1	1	
39	551.739	0.1	2	

M 8 x 20	8
M 10 x 25	8
M 10 x 40	6
M 10 x 50	2
M 12 x 20	2
M 12 x 30	4
M 12 x 35	8
M 12.150 x 30	2
M 12.150 x 40	2
M 12.150 x 110	2

PORSCHE

551.300

91 kg 20.05.88 425 - D - 3 B

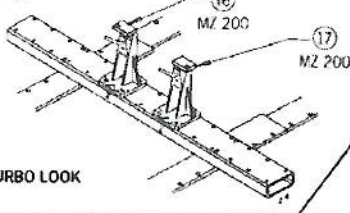


CELETTE
VENDE-FRANCE

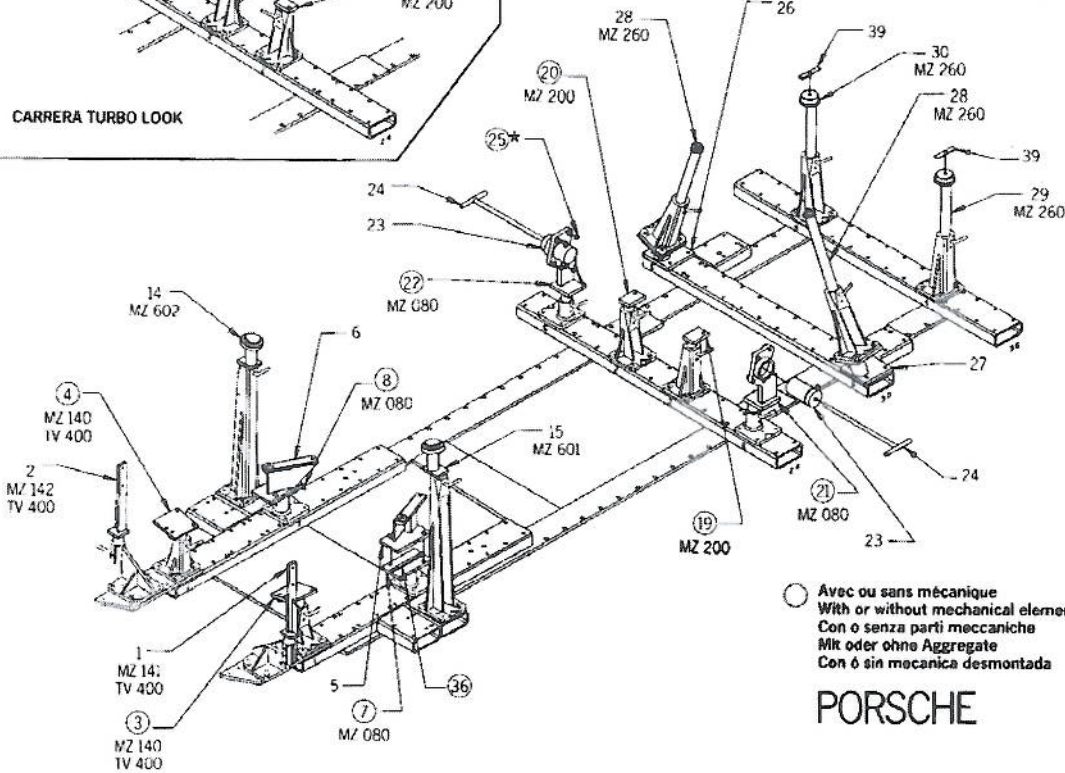
© Copyright 1988 CELETTE S.A. - All rights reserved. No part of this document may be reproduced in any form, by photostat, xerography or any other means, or incorporated into any informational retrieval system, electronic or mechanical, without the permission of the copyright owner.



CARRERA TURBO LOOK



à utiliser pour modèles avant Août 76.
to be used for models before August 76.
für Modelle vor August 76 zu verwenden.
a utilizzare per modelli prima di Agosto 76.
utilizado para los modelos antes de Agosto 76.



○ Avec ou sans mécanique
With or without mechanical elements
Con o senza parti meccaniche
Mit oder ohne Aggregate
Con ó sin mecánica desmontada

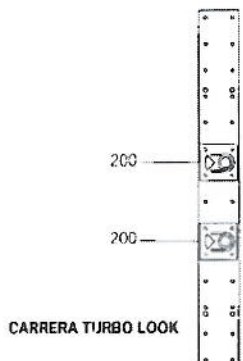
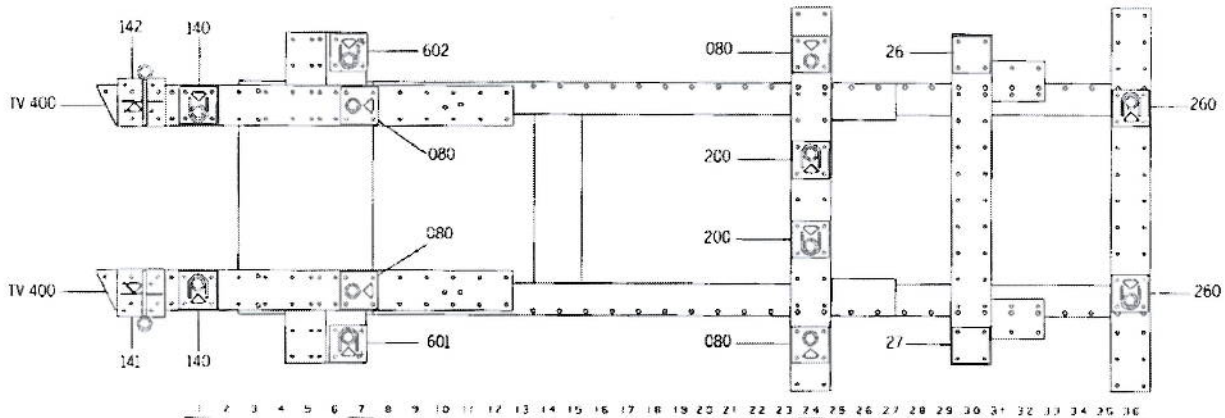
PORSCHE

REP.	REFERENCE	POS.	NB	MZ
1	551.701	2.4	1	141
2	551.702	2.4	1	142
3	551.703	2.5	1	140
4	551.704	2.5	1	140
5	551.705	3.0	1	1
6	551.706	3.0	1	1
7	551.707	2.9	1	080
8	551.708	2.9	1	080
9	551.709	2.9	1	1
10	551.710	2.9	1	1
11	551.711	0.2	1	1
12	551.712	0.1	2	1
13	551.713	0.1	2	1
14	551.714	2.8	1	602
15	551.715	2.8	1	601
16	551.716	1.3	1	090
17	551.717	1.3	1	080
18	551.718	0.2	2	1
19	551.719	1.5	1	200
20	551.720	1.5	1	200
21	551.721	4.9	1	080
22	551.722	4.9	1	080
23	551.723	4.4	2	1
24	551.724	0.9	2	1
25	551.725	0.1	8	1
26	551.726	4.9	1	1
27	551.727	4.9	1	1
28	551.728	4.1	2	260
29	551.729	4.5	1	260
30	551.730	4.5	1	260
36	551.736	0.1	2	1
37	551.737	0.1	1	1
38	551.738	0.1	1	1
39	551.739	0.1	2	1

M 8 x 20	8
M 10 x 25	8
M 10 x 40	6
M 10 x 50	2
M 12 x 20	4
M 12 x 30	4
M 12 x 35	8
M 12.150 x 30	2
M 12.150 x 40	2
M 12.150 x 110	2

551.300

91 kg 20.06.88 425-D 3 A



CARRERA TURBO LOOK

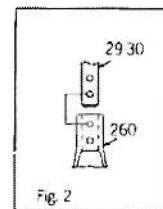


Fig. 2