

Installation and operating instructions for SSC-LUXon ZAVO with G9 socket & twilight sensor

1. Intended Use

This product: - may be installed indoors or outdoors - has an IP44 rating and is suitable for use in damp areas - must not be exposed to heavy mechanical stress or severe soiling - must be inspected for condition before operation if stored in damp or dirty conditions - must not be altered or modified; doing so will immediately void the operating authorization and conformity! The type plate must not be removed.

▲ Failure to comply with the aforementioned points may result in a short circuit or electric shock! **There is a danger to life!**

2. General Safety Instructions

▲ The entire installation must be carried out solely by an authorized qualified electrician who is familiar with the applicable regulations (hereinafter referred to as „qualified electrician“).

▲ To ensure safe handling of the product, the user must have fully read and understood the assembly and operating instructions before using the device for the first time.

▲ The product may only be used if it is in good condition. If the device or parts of it are defective, it must be repaired by a qualified electrician.

▲ Use only lamps/bulbs approved by the manufacturer. The maximum lamp wattage must not be exceeded.

▲ This product is not a toy and must not be stored or used within the reach of children.

▲ Safe operation of the product is guaranteed only if these instructions are followed. Therefore, please keep these installation and operating instructions. SSC-LUXon GmbH accepts no liability if the instructions provided here are not followed or if the luminaire is subjected to improper use.

3. Installation & Configuration

▲ **Caution:** Disconnect the power supply before starting work (switch off the main switch or circuit breaker)! Use only parts supplied with the product or clearly designated as accessories! Otherwise, the product may not be sufficiently safe!

▲ The cable routings indicated in the illustrations are intended solely for highly simplified representation. They do not constitute a recommendation for connection! Connection must only be performed by a qualified electrician.

▲ Watch out for cables as well as gas and water pipes when drilling. Always route the cable so that it does not touch the light fixture.

3.1 Installation site

The product is suitable for indoor and outdoor installation. Do not cover the product under any circumstances, especially not with insulating material—fire hazard!

4. Operation, Errors, and Faults

▲ **Caution:** Disconnect the supply line from the power supply before starting work!

What should be done in the event of an error?

In the event of a fault, the device must be switched off immediately. The product must only be operated if it is functioning correctly. It may only be put back into operation after inspection by a qualified electrician.

This is the case if:

1. Visible damage occurs 2. The product does not function properly 3. Smoke or steam is emitted, or audible crackling sounds occur 4. Signs of overheating are detected.

▲ **Caution: Danger to life** – repairs to the product or work on parts carrying mains voltage must only be performed by qualified electricians.

Prevention of disruptions and fire hazards:

The product must under no circumstances be covered. Air circulation must be ensured. Nothing may be attached to or hung from the product, particularly no decorations.

5. Cleaning and care instructions

The product must only be wiped down carefully using a dry or slightly damp, lint-free cloth. Do not remove the product to do this. Do not use abrasive or sharp objects or aggressive cleaning agents. Do not use solvents.

6. Installation instructions for ZAVO with G9 socket & twilight sensor



1. Disconnect the power supply cable from the voltage source!
2. Loosen the screws on the underside and remove the bottom plate. **Fig.1**
3. **Installation on wooden substrates, for example:** Fasten the base plate to the desired surface using the screws. Feed the supply cable through the large hole in the center. **Fig.2**
- 3.1. **Mounting on concrete or stone:** Mark the drill holes and drill them. Insert the wall plugs into the holes. Secure the base plate to the desired surface using the screws. Feed the supply cable through the large hole in the center. **Fig. 2**
4. Loosen the screws on the cable connection box and remove the cover. Connect the supply cable to the pillar (terminal block: L, N, and protective earth). **Fig.3**
5. Loosen the screws on the top and insert the G9 bulb into the socket using slight pressure. Screw the cover back on. Ensure that the gasket does not slip out of place. **Fig.5 & 6**
6. Feed the cable connection unit back into the housing and screw it back onto the base plate from step 2. **Fig.4**
7. Apply power to the connection cable. The product is now ready for operation.
8. If you wish to connect multiple lights, follow the connection diagram on **Fig. 7**

7. Technical data for ZAVO with G9 socket & dusk-to-dawn sensor



Can be used indoors and outdoors.

Type:	ZAVO
Operating temperature:	-20°C - +40°C
Protection type:	IP44
Voltage:	220-240 V / 50-60 Hz
Material:	Stainless steel/ plastic
Max. wattage of light source:	11 W
Resilience:	16 A / max. 3680 W
Protection class:	I

Notes / Explanations & Legend

Important Information



Disconnect the device from the mains before performing any work.



Protection Class I



Installation only by an authorized qualified electrician.



Minimum distance to illuminated objects: 0.5 m



→ Manuel d'instructions en français



SCAN ME

www.led-lichtraum.de/manuals

Notes on indoor and outdoor use

▲ **Protection type IP2x:** For indoor use in dry conditions only; do not use in damp or dirty environments or in areas with high humidity.

▲ **Protection type IP4x, IP5x & IP6x:** Can be used indoors and outdoors.



Onlineshop:
www.led-lichtraum.de



Satisfied with your product?
Then we look forward to your product review in the online shop, on Amazon, or on eBay!



Vers. 04/2025

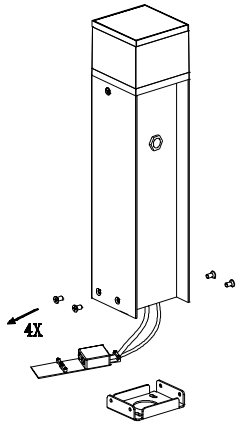
Disposal instructions



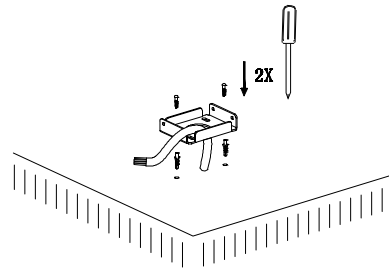
Please ensure that packaging is disposed of properly and in an environmentally friendly manner in accordance with your local municipality's regulations. Devices marked with the crossed-out wheeled bin symbol must not be disposed of with household waste! You are required to hand these devices over at one of the free collection points in your municipality. For further information, please contact your local municipal administration, the town hall, or a local or regional waste disposal service.

▲ **Keep packaging material and small parts well away from children and animals. Risk of suffocation!**

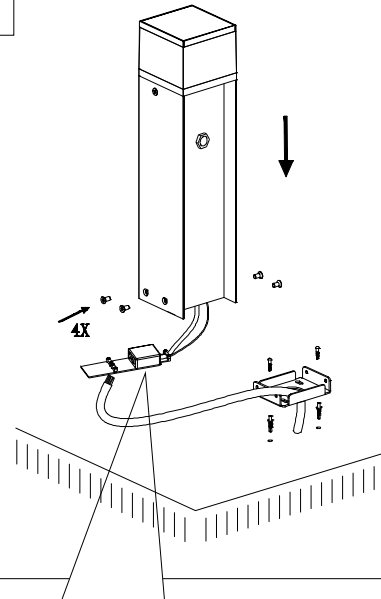
1



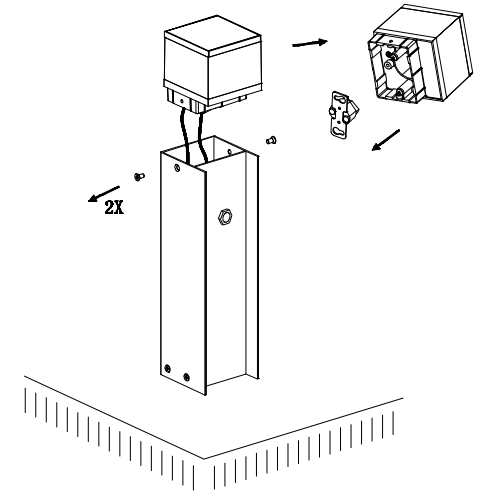
2



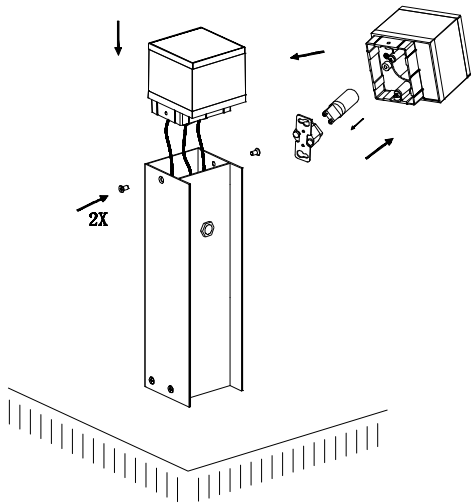
4



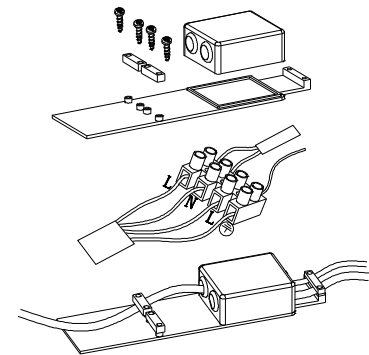
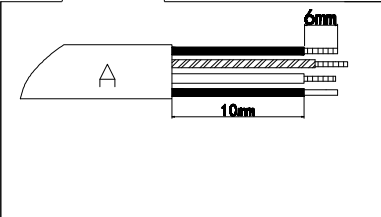
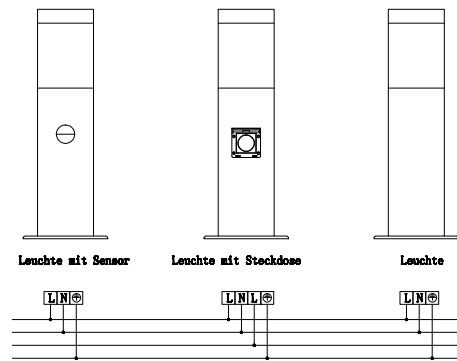
5



6



7



3