

Installation and Operating Instructions for the SSC-LUXon VARDA

1. Intended use

This product may: - be installed indoors and outdoors - has protection class IP44, suitable for use in damp rooms - must not be subjected to heavy mechanical stress or heavy soiling - must only be operated after a condition check following storage in damp or soiled conditions - must not be altered or modified; otherwise, the operating licence and conformity will lapse with immediate effect! The type plate must not be removed

▲ Failure to comply with the above points may result in a short circuit or electric shock! This is a life-threatening situation!

2. General safety instructions

▲ The entire installation must only be carried out by an authorised electrician who is familiar with the applicable guidelines. Hereinafter referred to as the 'electrician'.

▲ To ensure the product is used safely, the user must have read and understood the assembly and operating instructions in full before using the appliance for the first time.

▲ The product must only be used if it is in good working order. If the appliance or any of its parts are faulty, it must be repaired by a qualified electrician.

▲ Use only lamps/bulbs approved by the manufacturer. The maximum lamp power in watts must not be exceeded

▲ This product is not a toy and must not be stored or used within reach of children.

▲ Safe operation of the product can only be guaranteed if these instructions are followed. You should therefore keep these installation and operating instructions in a safe place. SSC-LUXon GmbH accepts no liability if the instructions set out here are not followed or if the luminaire is used improperly.

3. Installation & Configuration

▲ Warning: The connection cable must be disconnected from the mains before work begins (switch off the main switch/fuse)! Use only parts supplied with the product or clearly labelled as accessories! Otherwise, the product may not be sufficiently safe!

▲ The cable routing shown in the illustrations is for simplified representation purposes only. It does not in any way constitute a recommendation for connection! Connection must only be carried out by a qualified electrician.

▲ When drilling, take care to avoid cables, gas pipes and water pipes. Always route cables so that they do not come into contact with the light fitting.

3.1 Installation site

The product is suitable for installation indoors and outdoors. Do not cover the product under any circumstances, particularly not with insulating material – risk of fire!

4. Operation, Faults & Malfunctions

▲ Warning: Disconnect the supply cable from the mains before starting work!

What should you do if an error occurs?

In the event of a fault, switch off the appliance immediately. The product must only be used if it is functioning correctly. It must only be put back into operation after it has been checked by a qualified electrician! This is the case if:

1. Visible damage is present 2. The product is not working properly 3. It is smoking, steaming or making audible crackling noises 4. Signs of overheating are evident.

▲ Caution: There is a risk of death – repairs to the product or work on live parts must only be carried out by qualified electricians.

Preventing malfunctions and fire hazards:

Under no circumstances should the product be covered. Air circulation must be ensured. Nothing must be attached to or hung from the product, in particular no decorations.

5. Cleaning and Care Instructions

The product should only be wiped clean when dry or with a slightly damp, lint-free cloth. The product must not be dismantled for this purpose. Do not use abrasive or sharp objects, or harsh cleaning agents. Do not use solvents.

6. Assembly instructions VARDA



1. Disconnect the supply cable to ensure it is de-energised!

2. Loosen the screws on the underside and remove the base plate. Unscrew the plastic cover as well. (Fig. 1)

3. Installation, e.g. on wooden surfaces: Screw the base plate securely to the desired surface using the screws. Feed the supply cable through the large hole in the centre. (Fig. 2)

3.1. Installation on concrete or stone: Mark out the drill holes and drill them. Insert the wall plugs into the drill holes. Secure the base plate to the desired surface using the screws. Feed the supply cable through the large hole in the centre. (Fig. 2)

4. Loosen the screws on the cable connector box and remove the cover. Connect the connection cable to the column (L, N and earth terminals). (Figs. 3 & 4)

5. Screw the E27 bulb into the socket. Screw the plastic cover back onto the column. Make sure the seal does not slip out of place. (Fig. 5)

6. Insert the cable connection unit back into the housing and screw it back onto the base plate from step 2/3.

7. Switch on the power supply to the connection cable. The product is now ready for use.

8. If you wish to connect several lights together, follow the wiring diagram at. (Fig. 3)

▲ Note regarding the model with a motion detector :

SENSOR: Sensitivity for the detection range

LUX: Brightness setting or light sensitivity

TIME: Duty cycle or operating time

7. VARDA Technical Specifications



Can be used indoors and outdoors

Type:	VARDA
Operating temperature:	-20°C - +40°C
Protection type:	IP44
Voltage:	220-240 V / 50-60 Hz
Material:	Stainless steel / Plastic
Max. wattage of light bulb:	15 W
Protection class:	I

Notes / Explanations & Key

Important information



Disconnect the appliance from the mains before carrying out any work



Protection class I



Installation must be carried out by an authorised electrician only



Minimum distance from illuminated objects: 0.5 m

Guidance on indoor and outdoor use

▲ IP2x protection rating: For indoor use only in dry conditions; therefore, not in damp or dirt-prone rooms, nor in areas with high humidity

▲ Protection class IP4x, IP5x & IP6x: Can be used indoors and outdoors



Onlineshop:
www.led-lichtraum.de



Satisfied with our product?
We look forward to your product review in our online shop, on Amazon or eBay!



Vers. 07/2024

Disposal instructions



Please ensure that you dispose of packaging in accordance with your local authority's current guidelines, in a manner that is both safe and environmentally sound. Appliances marked with the crossed-out wheeled bin symbol must not be put in the household waste! You are obliged to hand these appliances in at one of the free collection points in your local area. For further information, please contact your local council, the relevant town hall or a local or regional waste management company.

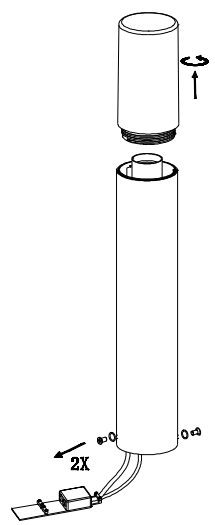
▲ Keep packaging materials and small parts well out of the reach of children and pets. Risk of suffocation!

→ Manuel d'instructions en français

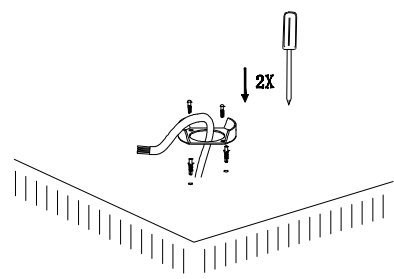
SCAN ME

www.led-lichtraum.de/manuals

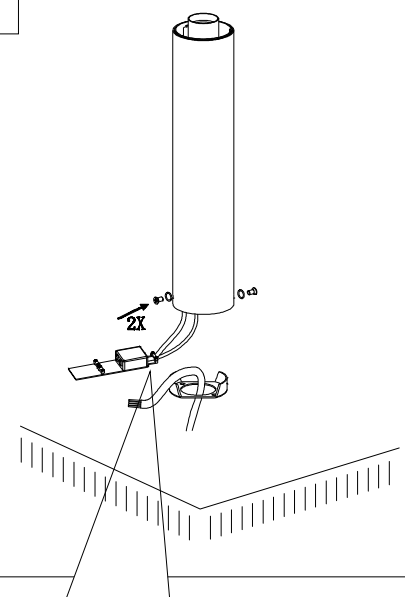
1



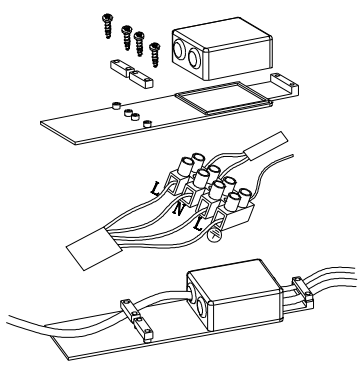
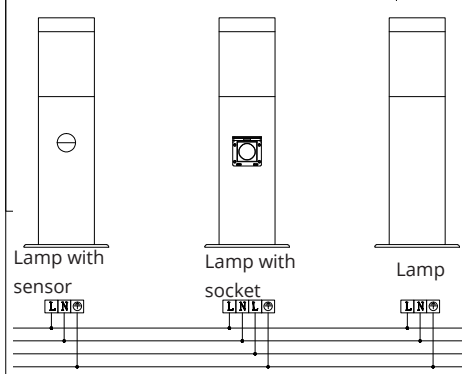
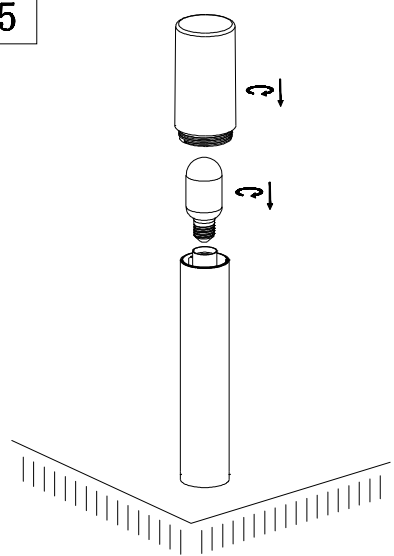
2



4



5



3