

Assembly/operating instructions for SSC-LUXon recessed/ surface-mounted light VORALO

1. Intended use

This product is for lighting purposes only and:

- may only be installed indoors / may only be operated in dry rooms, i.e. not in damp rooms or rooms where there is a risk of dirt and in the area of high humidity,
 - must not be exposed to strong mechanical loads or heavy soiling,
 - may not be operated after damp or dirty storage until after a condition check,
 - may not be changed or modified, otherwise the operating permit and conformity will expire with immediate effect!
- It is not allowed to remove the type plate.

▲ If the aforementioned points are not observed, a short circuit or electric shock may occur! **There is danger to life!**

2. General safety instructions

▲ The complete installation may only be carried out by an authorized electrician who is familiar with the applicable guidelines. Hereinafter referred to as „qualified electrician“.

▲ For safe handling of the product, the user must have read and understood the installation/operating instructions completely before using the device for the first time.

▲ The product may only be used if it is alright. If the device or parts of it are defective, it must be repaired by a qualified electrician.

▲ This product is not a toy and is not allowed to be stored or used within the reach of children.

▲ Safe operation of the product is only guaranteed if these instructions are followed. Therefore, keep these assembly/operating instructions. SSC-LUXon GmbH accepts no liability if the instructions given here are not followed or the lamp is subjected to improper use.

3. Assembly & configuration

▲ **Caution:** The connecting cable must be disconnected from the power supply before starting work (switch off the main switch/fuse)! Only use parts which are supplied with the product or which are clearly marked as equipment! Otherwise the product may not be sufficiently safe!

▲ When drilling, pay attention to cables and gas and water lines.

3.1 Assembly location

The product is suitable for installation in ceilings or walls. The product may only be installed on stable, tilt-resistant and level surfaces. Do not cover the product under any circumstances, especially not with insulating material, fire hazard!

▲ Components of the luminaire and especially the lamps/light sources become hot during operation. Keep a sufficient distance (0.5 m) from easily flammable objects (e.g. curtains, drapes, etc.) and flammable materials (ignition temperature < 250°C)!

4. Operation, faults & disorders

▲ **Caution:** Do not cover! Covering with (e.g. towel) is a fire hazard! Lights with protective cover may only be operated with complete protective cover!

▲ Never look directly into the light source!

What to do in case of error?

In case of an error, the device must be switched off immediately. The product may only be operated if it works correctly. The device may only be put back into operation after it has been checked by a qualified electrician! **This is the case if:**

1. there is visible damage,
2. the product is not working correctly,
3. there is smoke, steam, or audible crackling noises,
4. overheating can be detected.

▲ **Caution:** There is a danger to life! Repairs to the product or work on parts carrying mains voltage may only be carried out by qualified electricians.

Avoidance of disturbances and fire hazards:

It is not allowed to cover the product under any circumstances. Air circulation must be ensured. Nothing may be attached or hung on the product, especially no decoration.

5. Cleaning & care instructions

The product may only be wiped dry or carefully with a slightly damp and lint-free cloth. The product is not allowed to be removed for this purpose. Do not use abrasive or sharp objects or aggressive cleaning agents. Do not use solvents.

6. Assembly instructions & technical data



A) Installation as recessed light

1. De-energise the connecting cable before starting work (switch off the main switch/fuse) (Fig. 1).
2. Remove the elongated ceiling bracket from the light housing (pull upwards).
3. Measure and cut out the required cut-out (Ø see technical data table) (Fig. 1).
4. Attach two spring clips to the left and right of the ceiling bracket and set the appropriate hole size (Fig. 2).
5. Attach the ceiling bracket to the luminaire housing with the safety cable and insert it back into the luminaire (Fig. 2).
6. Connect the connecting cable from the ceiling to the light (N & L) (Fig. 2).
7. Bend the spring clips upwards and place the light in the hole in the ceiling (Fig. 3).
8. Switch the connecting cable back to voltage (Fig. 4).
9. The product is now ready for use.



Can only be used indoors

B) Installation as surface-mounted light

1. De-energise the connecting cable before starting work (switch off the main switch/fuse) (Fig. 1).
2. Remove the elongated ceiling bracket from the light housing (pull upwards).
3. Mark the drill holes on the ceiling using the ceiling bracket, drill the holes, insert the wall plugs and fasten the ceiling bracket with the screws (Fig. 1).
4. Attach the ceiling bracket to the luminaire housing using the safety cable (Fig. 2.1).
5. Connect the connecting cable from the ceiling to the light (N & L) (Fig. 2.2).
6. Attach the light housing to the ceiling bracket (Fig. 2.3).
7. Switch the connecting cable back to voltage (Fig. 3). 8. The product is now ready for use.

Type : Recessed/surface-mounted light

Power: 4 W

Models: 990010048, 990010049

Operating temperature: -5°C - +40°C

Protection type: IP20

Protection class: II

Material: Plastic & metal

Dimensions: Ø 140 mm

Colour: White or black

Cut-out / hole size: Ø 65 - 110 mm (variably adjustable)

Voltage: 220 - 240 V AC 50/60 Hz

This product contains a light source of the energy efficiency class G

7. Notes / explanations & legend

The following applies to all models



Disconnect the device from the mains power before starting any work



Protection class II



Installation only by qualified electrician



Distance to illuminated objects min. 0.5m



Vers. 05/2024

Notes on use indoors & outdoors

▲ **Protection type IP2X:** Use only indoors and dry, i.e. do not operate in damp or dirt-prone rooms and in areas of high humidity

▲ **Protection type IP4X, IP5X & IP6X:** Can be used indoors and outdoors



Online shop:
www.led-lichtraum.de



Satisfied with your product?
Then we look forward to your product review in our online store, on Amazon or eBay!

Disposal instructions

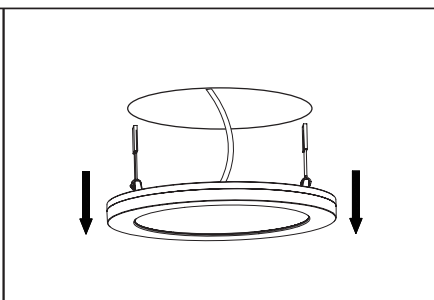
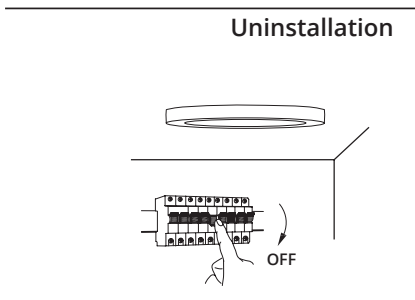
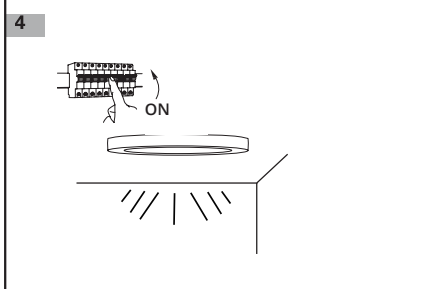
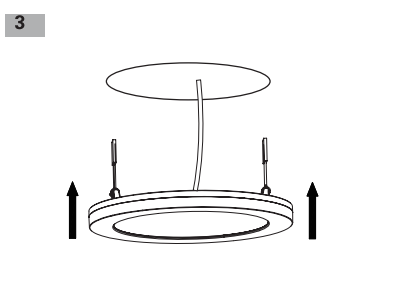
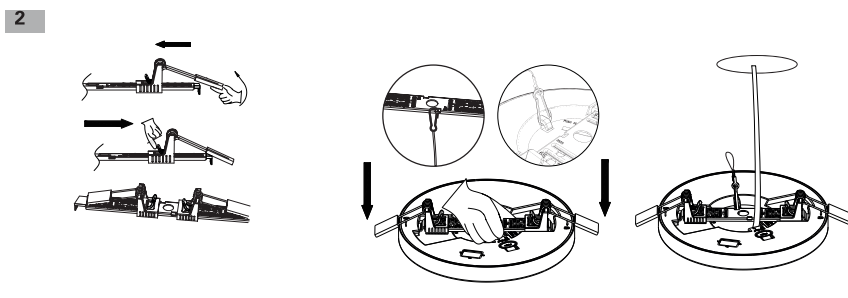
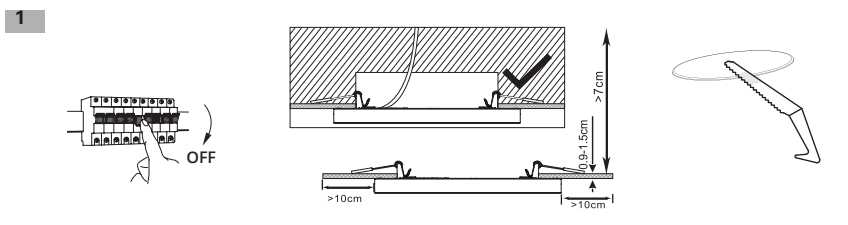


Make sure to dispose packaging in accordance with the applicable guidelines of your local authority. Devices marked with the crossed-out waste garbage do not belong in the household waste!

You are obliged to hand in these devices at one of the free collection points in your municipality. You can obtain more information from your local authority, the relevant town hall or a local or regional waste disposal company.

▲ **Keep packaging material and small parts away from children and animals. Danger of suffocation!**

A) Installation as recessed luminaire



B) Installation as surface-mounted luminaire

