

## Assembly/operating instructions for SSC-LUXon ceiling light spot OLINO

### 1. Intended use

This product is for lighting purposes only and:

- may only be installed indoors / only be operated in dry rooms, i.e. not in damp rooms or rooms where there is a risk of dirt and in the area of high humidity
  - must not be exposed to strong mechanical loads or heavy soiling - may not be operated after damp or dirty storage until after a condition check - may not be changed or modified, otherwise the operating permit and conformity will expire with immediate effect!
- It is not allowed to remove the type plate.

▲ If the aforementioned points are not observed, a short circuit or electric shock may occur! **There is danger to life!**

### 2. General safety instructions

▲ The complete installation may only be carried out by an authorized electrician who is familiar with the applicable guidelines. Hereinafter referred to as „qualified electrician“.

▲ For safe handling of the product, the user must have read and understood the installation/operating instructions completely before using the device for the first time.

▲ The product may only be used if it is alright. If the device or parts of it are defective, it must be repaired by a qualified electrician.

▲ Only use lamps/light sources approved by the manufacturer. The max. lamp wattage in watts is not allowed to be exceeded.

▲ This product is not a toy and is not allowed to be stored or used within the reach of children.

▲ Safe operation of the product is only guaranteed if these instructions are followed. Therefore, keep these assembly/operating instructions. SSC-LUXon GmbH accepts no liability if the instructions given here are not followed or the lamp is subjected to improper use.

### 3. Assembly & configuration

▲ **Caution:** The connecting cable must be disconnected from the power supply before starting work (switch off the main switch/fuse)! Only use parts which are supplied with the product or which are clearly marked as equipment! Otherwise the product may not be sufficiently safe!

▲ When drilling, pay attention to cables and gas and water lines.

#### 3.1 Assembly location

The product is suitable for mounting on ceilings and walls. The product may only be mounted on a stable, tilt-resistant and level surface. Do not cover the product under any circumstances, especially not with insulating material! Fire hazard!

▲ Components of the luminaire and especially the lamps/light source become hot during operation. Especially in the case of halogen lamps/light source. Keep a sufficient distance (0.5 m) from easily flammable objects (e.g. curtains, drapes, etc.) and flammable materials (ignition temperature < 250°C)!

### 4. Operation, bulb replacement, faults & disorders

▲ **Caution:** Disconnect the connecting cable from the power supply before replacing lamps/light sources!

Halogen lamps/light sources become very hot during operation - risk of burns! Therefore, do not touch the protective glass or the reflector! Allow to cool down before replacing! Do not cover! There is a risk of fire when covering (e.g. with towel)! Lamps with protective cover may only be operated with complete protective cover!

▲ Never look directly into the light source!

#### What to do in case of error?

In case of an error, the device must be switched off immediately. The product may only be operated if it works correctly. The device may only be put back into operation after it has been checked by a qualified electrician! **This is the case if:**

1. there is visible damage, 2. the product is not working correctly, 3. there is smoke, steam, or audible crackling noises, 4. overheating can be detected

▲ **Caution:** There is a danger to life - repairs to the product or work on parts carrying mains voltage may only be carried out by qualified electricians.

#### Avoidance of disturbances and fire hazards:

The product must not be covered under any circumstances. Air circulation must be guaranteed. Nothing must be attached or hung on the product, especially no decoration.

### 5. Cleaning & care instructions

The product may only be wiped dry or carefully with a slightly damp and lint-free cloth. The product is not allowed to be removed for this purpose. Do not use abrasive or sharp objects or aggressive cleaning agents. Do not use solvents.

### Technical data & assembly instructions

#### OLINO



1. Disconnect the connecting cable from the power supply!

2. Separate the reflector from the housing by pulling it away to the front. (Fig 1).



3. Mark the drill holes with the help of the lamp body. Drill the holes in the ceiling and insert the dowels. (Fig 2 & 3).



Can only be used indoors

4. Connect L, N and, if necessary, earth of the connecting cable with the connecting terminal to L & N of the luminaire. Push the cable incl. connection terminal into the hole of your supply line.

5. Screw the light to the ceiling using two screws & dowels. (Fig 3).

6. Insert the GX53 bulb into the light. Ensure the correct position of the contact pins and fix the lamp by turning it counterclockwise. (Fig 4).

7. Replace the reflector. With light pressure, it will automatically „snap“ into place. (Fig 4).

8. Switch on the voltage again. The product is now ready for use.

Type: Surface-mounted ceiling light

Models: 990070831 (white)  
990070832 (black)

Protection type: IP20

Voltage: 220-240V AC

Material: Iron

Socket: GX53

Max. power: 12 W

Operating temperature: -5°C - +40°C

Protection class: II

Measurements: Ø 130 mm / height 60 mm

Reflector: Gold, silver

Colour: White, black

## Notes / explanations & legend

### The following applies to all models



Disconnect the device from the mains power before starting any work



Protection class II



Installation only by qualified electrician



Distance to illuminated objects min. 0.5m



Vers. 03/2023

### Notes on use indoors & outdoors

▲ **Protection type IP2X:** Use only indoors and dry, i.e. do not use in damp or dirty rooms and in areas of high humidity.

▲ **Protection type IP4X & IP6X:** Can be used indoors and outdoors.



Online shop:  
[www.led-lichtraum.de](http://www.led-lichtraum.de)



**Satisfied with your product?**  
Then we look forward to your product review in our online store, on Amazon or eBay!

### Disposal instructions

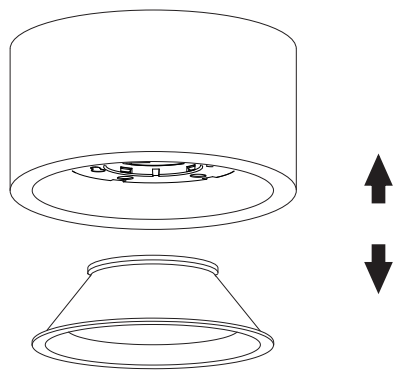


Make sure to dispose packaging in accordance with the applicable guidelines of your local authority. Devices marked with the crossed-out waste garbage do not belong in the household waste! You are obliged to hand

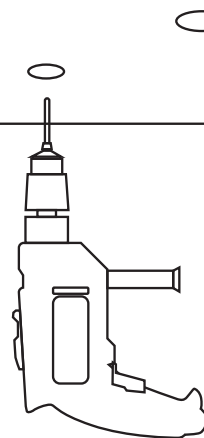
in these devices at one of the free collection points in your municipality. You can obtain more information from your local authority, the relevant town hall or a local or regional waste disposal company.

▲ **Keep packaging material and small parts away from children and animals. Danger of suffocation!**

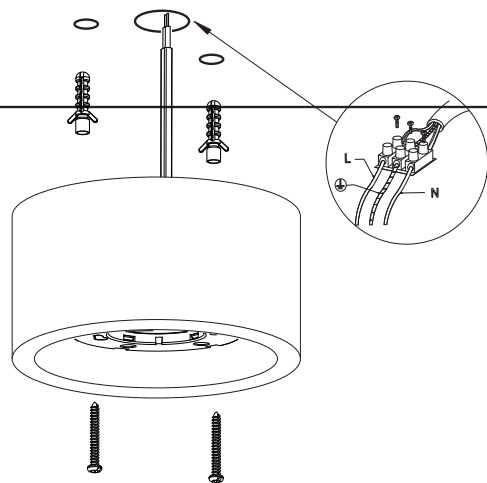
**Fig. 1**



**Fig. 2**



**Fig. 3**



**Fig. 4**

