

Assembly/operating instructions for SSC-LUXon wall light NORSU with motion detector

1. Intended use

This product is for lighting purposes only and:

- can be installed indoors and outdoors / protection type IP65, suitable for use in damp areas,
 - must not be exposed to strong mechanical loads or heavy soiling,
 - may not be operated after damp or dirty storage until after a condition check,
 - may not be changed or modified, otherwise the operating permit and conformity will expire with immediate effect!
- It is not allowed to remove the type plate.

⚠ If the aforementioned points are not observed, a short circuit or electric shock may occur! **There is danger to life!**

2. General safety instructions

- ⚠ The complete installation may only be carried out by an authorized electrician who is familiar with the applicable guidelines. Hereinafter referred to as „qualified electrician“.
- ⚠ For safe handling of the product, the user must have read and understood the installation/operating instructions completely before using the device for the first time.
- ⚠ The product may only be used if it is alright. If the device or parts of it are defective, it must be repaired by a qualified electrician.
- ⚠ This product is not a toy and is not allowed to be stored or used within the reach of children.
- ⚠ Safe operation of the product is only guaranteed if these instructions are followed. Therefore, keep these assembly/operating instructions. SSC-LUXon GmbH accepts no liability if the instructions given here are not followed or the lamp is subjected to improper use.

3. Assembly & configuration

⚠ **Caution:** The connecting cable must be disconnected from the power supply before starting work (switch off the main switch/fuse)! Only use parts which are supplied with the product or which are clearly marked as equipment! Otherwise the product may not be sufficiently safe!

⚠ When drilling, pay attention to cables and gas and water lines.

3.1 Assembly location

The product may only be mounted on a stable, tilt-resistant and level surface. Do not cover the product under any circumstances, especially not with insulating material!

4. Operation, faults & disorders

- ⚠ **Caution:** Disconnect the connection cable from the power supply before starting work!
- ⚠ Never look directly into the light source!

What to do in case of error?

In case of an error, the device must be switched off immediately. The product may only be operated if it works correctly. The device may only be put back into operation after it has been checked by a qualified electrician! **This is the case if:**

1. there is visible damage,
2. the product is not working correctly,
3. there is smoke, steam, or audible crackling noises,
4. overheating can be detected.

⚠ **Caution:** There is a danger to life! Repairs to the product or work on parts carrying mains voltage may only be carried out by qualified electricians.

Avoidance of disturbances and fire hazards:

It is not allowed to cover the product under any circumstances. Air circulation must be ensured. Nothing may be attached or hung on the product, especially no decoration.

5. Cleaning & care instructions

The product may only be wiped dry or carefully with a slightly damp and lint-free cloth. The product is not allowed to be removed for this purpose. Do not use abrasive or sharp objects or aggressive cleaning agents. Do not use solvents.

Technical data NORSU



NORSU



Can be used indoors and outdoors

Type:	Wall light with motion detector PIR swivelling
Models:	NORSU - 990010017 & 990010047 (1-flame) NORSU - 990010018 & 990010046 (2-flame)
Protection type:	IP65
Voltage:	220-240 V AC / 50-60 Hz
Material:	Aluminium & plastic
Operating temperature:	-5°C - +45° C
Max. power:	990010017 & 990010047 - 30 W / 990010018 & 990010046 - 40 W
Colour:	Black or white
Protection class:	I
Surface:	Textured coated
Rotatable/swivelling:	Yes
Max. angle of coverage:	240°
Max. detection range:	10 m
Optimal installation height:	180 - 250 cm
Adjustable light duration:	10 sec. to 15 min.

Notes / explanations & legend

Important information



Disconnect the device from the mains power before starting any work



Protection class I



Installation only by qualified electrician



Vers. 04/2023

Notes on use indoors & outdoors

⚠ **Protection type IP2X:** Use only indoors and dry, i.e. do not use in damp or dirty rooms and in areas of high humidity

⚠ **Protection type IP4X, IP5X & IP6X:** Can be used indoors and outdoors



Onlineshop:
www.led-lichtraum.de



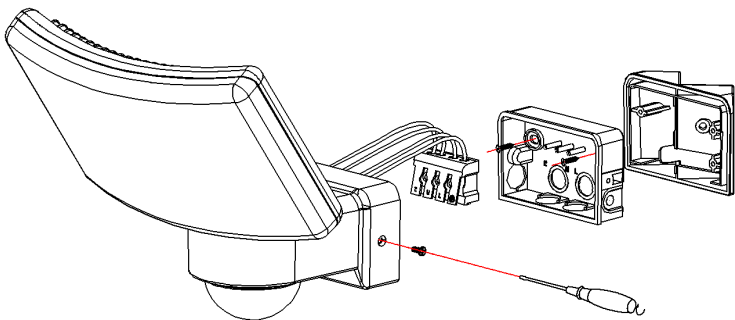
Satisfied with your product?
Then we look forward to your product review in our online store, on Amazon or eBay!

Disposal instructions

Make sure to dispose packaging in accordance with the applicable guidelines of your local authority. Devices marked with the crossed-out waste garbage do not belong in the household waste! You are obliged to hand in these devices at one of the free collection points in your municipality. You can obtain more information from your local authority, the relevant town hall or a local or regional waste disposal company.

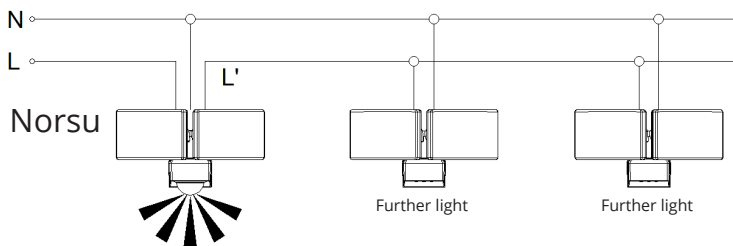
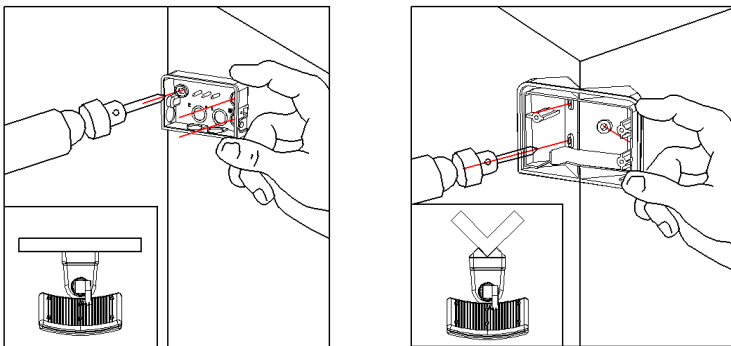
⚠ **Keep packaging material and small parts away from children and animals. Danger of suffocation!**

Assembly instructions



1. Disconnect the connecting cable from the power supply!
2. Loosen screws (2x) on the side & remove plastic cover.
3. Mark out the drill holes with the help of the back plate or measure (see markings on the back plate - 60 / 20 mm) and drill the holes. Insert the dowels into the drill holes. Guide the connection cable through the round rubber seal (pierce).
4. Screw the back plate to the wall. The screws are screwed directly through the seals.
5. Connect the connecting cables (L, N and, if necessary, earth) to the light. The designations protective conductor, N & L are also printed on the luster terminal. Do not use the L' input for the main connection - this is used as an output to couple other lights with the motion detector.
6. Place the light on the back plate on the wall. Screw the light back in place with the screws from step 2.
7. Switch the connection cable to voltage, the product is now ready for use.

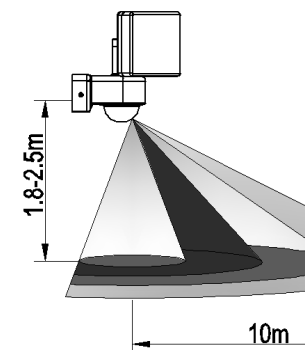
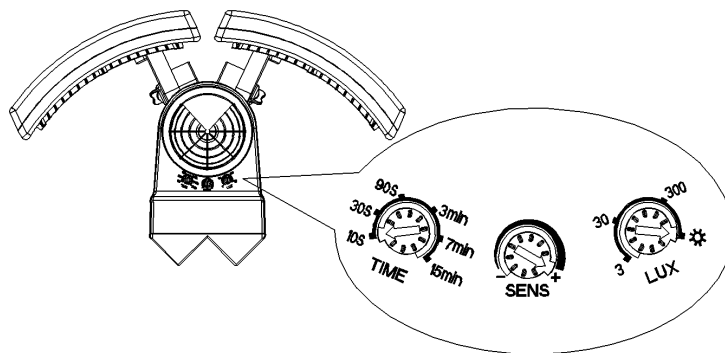
▲ Corner mounting: The light can be installed not only directly on the wall but also in the outer corner with the help of the adapter. To do this, screw the corner adapter into the desired position. The back plate is then screwed directly onto the adapter instead of onto the wall. The further installation steps are then identical.



Setting the range and brightness

1. Turn the Time knob (Time) counterclockwise to the minimum (10s). Turn the LUX (light sensitivity) knob clockwise at the maximum (sun). With this position of "LUX", the light also works in daylight, so perfect for a first test of the function.
2. If not already done, switch on the power; After a short warm-up time, the sensor can start working. When the sensor receives a signal, the lamp turns on. As long as there is no further signal, the load should stop working within 10s±3s and the lamp switches off.
3. Now set the desired time with the Time button, the brightness with the Sens button and the light sensitivity with the LUX button. To find out the desired light sensitivity, it is advisable to set this at dusk or at night.

▲ Tip: If you are testing in daylight, please turn the LUX knob to the (sun) position, otherwise you will not be able to test the light in daylight!



Solutions to problems

The light does not work:

1. Please check whether all cables have been connected correctly and whether the main switch (fuse box) has been switched on.
2. Please check that the light is correctly connected to the power cable and that it is generally fully functional.
3. Please check whether the sensitivity (LUX) settings may be set too low.

The motion detector does not switch correctly:

1. Please check if there is an obstacle in front of the motion detector that does not allow the signals to be received.
2. Please check if the ambient temperature (-20° to +45°) is too high.
3. Please check if the movement is within the maximum detection range (10 metres).
4. Please check that the mounting height corresponds to the height described in the technical data.
5. Please check that the motion detector has been set (rotated) so that it is aligned with the area to be detected.

The light does not switch off automatically:

1. Please check if there is a continuous signal in the detection field e.g. trees moving due to wind etc.
2. Please check if the time has been set to the maximum position, in this case the time is set to 15 min.

Adjusting the aperture on the sensor

With the aperture directly on the sensor, you can adjust the detection range very precisely. To do this, simply turn the aperture so that the area to be captured is in the "free" area of the aperture. Only movements that occur in this area are detected.

▲ Tip:

You can also enlarge the area. To do this, pull the bezel down and enlarge the area with a sharp knife or scissors.

▲ Set the detection range to 240°:

To use the entire detection range of 240°, simply pull off the cover completely and use the NORSU wall luminaire without it. In this case, you have the largest possible detection angle. If this is too large, simply put the cover back on the light.