

Assembly/operating instructions for SSC-LUXon swivelling recessed floor light JAVO

1. Intended use

This product is for lighting purposes only and:

- can be installed indoors and outdoors / protection type IP67,
 - may not be operated after damp or dirty storage until after a condition check,
 - may not be changed or modified, otherwise the operating permit and conformity will expire with immediate effect!
- It is not allowed to remove the type plate.

▲ If the aforementioned points are not observed, a short circuit or electric shock may occur! **There is danger to life!**

2. General safety instructions

▲ The complete installation may only be carried out by an authorized electrician who is familiar with the applicable guidelines. Hereinafter referred to as „qualified electrician“.

▲ For safe handling of the product, the user must have read and understood the installation/operating instructions completely before using the device for the first time.

▲ The product may only be used if it is alright. If the device or parts of it are defective, it must be repaired by a qualified electrician.

▲ This product is not a toy and is not allowed to be stored or used within the reach of children.

▲ Safe operation of the product is only guaranteed if these instructions are followed. Therefore, keep these assembly/operating instructions.

SSC-LUXon GmbH accepts no liability if the instructions given here are not followed or the lamp is subjected to improper use.

3. Assembly & configuration

▲ **Caution:** The connecting cable must be disconnected from the power supply before starting work (switch off the main switch/fuse)! Only use parts which are supplied with the product or which are clearly marked as equipment! Otherwise the product may not be sufficiently safe!

▲ Connection may only be carried out by a qualified electrician.

▲ When drilling, pay attention to cables and gas and water lines.

▲ Always route the cable so that it does not touch the light.

▲ Components of the light and especially the lamps/light sources become hot during operation. Keep a sufficient distance (0.5 m) from easily flammable objects (e.g. curtains, drapes, etc.) and flammable materials (ignition temperature < 250°C)!

4. Operation, bulb replacement, faults & disorders

▲ **Caution:** Disconnect the power supply before replacing lamps/light sources!

Halogen lamps/light sources become very hot during operation. Allow to cool down before replacing! Do not cover! Covering with (e.g. towel) may cause fire! Lights with protective cover may only be operated with complete protective cover!

▲ Never look directly into the light source!

What to do in case of error?

In case of an error, the device must be switched off immediately. The product may only be operated if it works correctly. The device may only be put back into operation after it has been checked by a qualified electrician! **This is the case if:**

1. there is visible damage,
2. the product is not working correctly,
3. there is smoke, steam, or audible crackling noises,
4. overheating can be detected.

▲ **Caution:** There is a danger to life! Repairs to the product or work on parts carrying mains voltage may only be carried out by qualified electricians.

Avoidance of disturbances and fire hazards:

It is not allowed to cover the product under any circumstances. Air circulation must be ensured. Nothing may be attached or hung on the product, especially no decoration.

5. Cleaning & care instructions

The product may only be wiped dry or carefully with a slightly damp and lint-free cloth. The product is not allowed to be removed for this purpose. Do not use abrasive or sharp objects or aggressive cleaning agents. Do not use solvents.

6. Technical data recessed floor light JAVO



Can be used indoors and outdoors

Type:	Mini recessed floor light
Model:	JAVO
Protection type:	IP67
Voltage:	230V / 50-60Hz
Material:	Aluminium
Light source:	Fixed
Cutout:	Ø 35 mm without box / Ø 48 mm with box (optionally available)
Installation depth:	70 mm
Cable:	2-core - 60 cm
Power:	3 W
Light colour:	Warm white - 3000 K
Beam angle:	38°
Note on the energy efficiency class:	This product contains a light source of energy efficiency class G

7. Assembly instructions

Mounting with box (e.g. for concrete or stone)

1. Disconnect the connecting cable from the power supply. (Fig. 1)
2. Measure and cut out the opening. Insert the box into the opening. (Fig. 2)
3. Connect the connection cables (L, N) to the luminaire. (Fig. 3) Make sure that you use a water-protected cable connector (min. IP65) if you use the spotlights outdoors.
4. Slide the light into the cut-out until the front lies flat on the surface. (Fig. 4)
5. Switch the connecting cable to voltage. (Fig. 5)
6. The product is now ready for use.

Mounting without box (e.g. for wooden floorboards on the terrace)

1. Disconnect the connecting cable from the power supply. (Fig. 1)
2. Measure and cut out the opening. (Fig. 2)
3. Connect the connection cables (L, N) to the luminaire. (Fig. 3) Make sure that you use a water-protected cable connector (min. IP65) if you use the spotlights outdoors.
4. Slide the light into the cut-out until the front lies flat on the surface. (Fig. 4)
5. Switch the connecting cable to voltage. (Fig. 5)
6. The product is now ready for use.

8. General & notes



Disconnect the device from the mains power before starting any work



Protection class II



Installation only by qualified electrician

▲ **Protection type IP2X:** Use only indoors and dry, i.e. do not use in damp or dirty rooms and in areas of high humidity

▲ **Protection type IP4X, IP5X & IP6X:** Can be used indoors and outdoors



Make sure to dispose packaging in accordance with the applicable guidelines of your local authority. Devices marked with the crossed-out waste garbage do not belong in the household waste! You are obliged to hand

in these devices at one of the free collection points in your municipality. You can obtain more information from your local authority, the relevant town hall or a local or regional waste disposal company.

▲ **Keep packaging material and small parts away from children and animals. Danger of suffocation!**



Onlineshop:
www.led-lichtraum.de

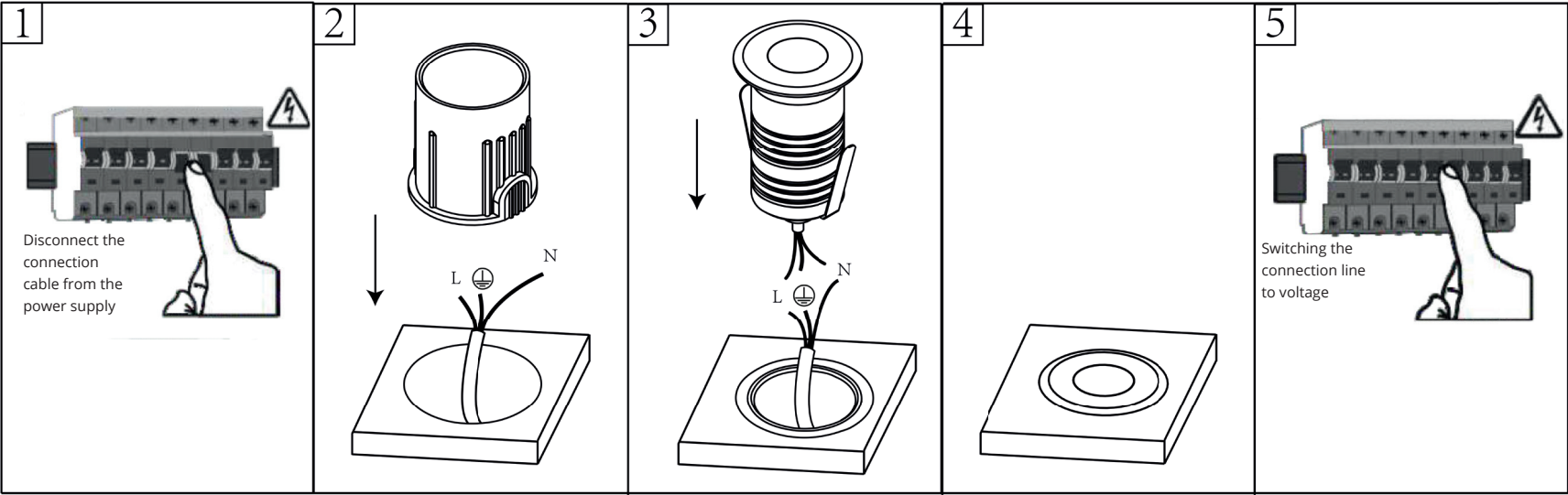


Satisfied with your product?
Then we look forward to your product review in our online store, on Amazon or eBay!



Vers. 05/2023

Assembly steps when used **with** the optionally available box



Assembly steps for use **without** the optionally available box

