

Assembly/operating instructions / technical data for ClickConnect „Starter-Kit“

The ClickConnect „Starter-Kit“ is an intelligent installation set for lighting systems / luminaire systems at 230V with GU10 socket. Both LED and halogen light sources with GU10 sockets can be connected to the system.

1. Intended Use

This product is only for connecting GU10 light sources and: -may only be installed indoors -only be operated in dry rooms, i.e. not in damp rooms or rooms where there is a risk of dirt and in the area of high humidity -must not be exposed to strong mechanical loads or heavy soiling -may not be operated after damp or dirty storage until after a condition check -may not be changed or modified, otherwise the operating permit and conformity will expire with immediate effect!

▲ If the aforementioned points are not observed, a short circuit or electric shock may occur! There is danger to life!

2. General safety instructions

▲ The complete installation may only be carried out by an authorized electrician who is familiar with the applicable guidelines. Hereinafter referred to as „qualified electrician“.

▲ For safe handling of the product, the user must have read and understood the installation/operating instructions completely before using the device for the first time.

▲ The product may only be used if it is alright. If the device or parts of it are defective, it must be repaired by a qualified electrician.

▲ This product is not a toy and is not allowed to be stored or used within the reach of children.

▲ The max. current (for cascade connection) must not exceed 7 amperes.

▲ Safe operation of the product is only guaranteed if these instructions are followed. Therefore, keep these assembly/operating instructions. SSC-LUXon GmbH accepts no liability if the instructions given here are not followed or the lamp is subjected to improper use.

3. Assembly & configuration

▲ **Caution:** The connecting cable must be disconnected from the power supply before starting work (switch off the main switch/fuse)! Only use parts which are supplied with the product or which are clearly marked as equipment! Otherwise the product may not be sufficiently safe!

▲ The cable routing shown in the illustrations is for simplified purposes only. They in no way represent a recommendation for connection! The connection may only be carried out by a qualified electrician.

▲ When drilling, pay attention to cables and gas and water lines.

4. Operation, faults & disorders

▲ **Caution:** There is a danger to life - repairs to the product or work on parts carrying mains voltage may only be carried out by qualified electricians.

In case of an error, the device must be switched off immediately. The product may only be operated if it works correctly. The device may only be put back into operation after it has been checked by a qualified electrician! **This is the case if:**

1. there is visible damage, 2. the product is not working correctly, 3. there is smoke, steam, or audible crackling noises, 4. overheating can be detected.

Notes on plug connections

▲ Plugs & sockets are processed in such a way that only one plug connection is possible at a time (Poka Yoke). It is therefore not possible to connect the connectors incorrectly!

▲ The GU10 lampholders can also be connected directly to the 4-way distributor.

▲ You can also connect several extensions together to cover longer distances.

Technical data



Only suitable for indoor use

Type:	Starter-Kit
Model:	ClickConnect
Voltage:	230V AC / 50Hz
Protection type:	IP20
4-way distributor:	100 cm
Extension:	150 cm
GU10 socket:	15 cm
Colour:	White

Connection instructions

1. Disconnect the connecting cable from the power supply (switch off the main switch/fuse).
2. Connect the GU10 sockets to the extension cables.
3. The connection is made with plug & socket. Make sure that the clip is correctly engaged. This is the case when the click of the connection is audible.
4. Connect the extensions to the 4-way distributor. Here, too, the clicking sound must be audible when it engages.
5. Insert the light sources into the GU10 socket & install the light (e.g. recessed spotlight).
6. Connect the cable end of the 4-way distributor (L / N) to your mains supply (230V / 50Hz). Luster terminals or Wago terminals are suitable for this. Pay attention to the colour of the cables (usually blue & brown).
7. Switch on the voltage again (switch on the main switch/fuse).
8. The product is now ready for use.

Notes / Explanations & Legend

Important information



Disconnect the device from the mains power before starting any work



Protection class II



Installation only by qualified electrician



Vers. 11/2022

Notes on use indoors & outdoors

▲ **Protection type IP20 & IP23:** Use only indoors and dry, i.e. do not use in damp or dirty rooms and in areas of high humidity.

▲ **Protection type IP44 & IP6X:** Can be used indoors and outdoors.



Onlineshop:
www.led-lichtraum.de



Satisfied with your product?
Then we look forward to your product review in our online store, on Amazon or eBay!

Disposal instructions

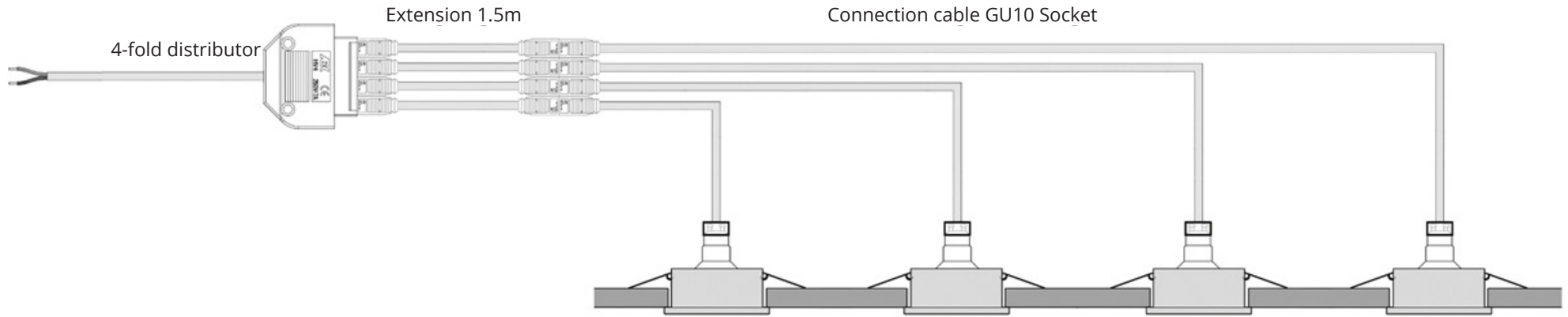


Make sure to dispose packaging in accordance with the applicable guidelines of your local authority. Devices marked with the crossed-out waste garbage do not belong in the household waste!

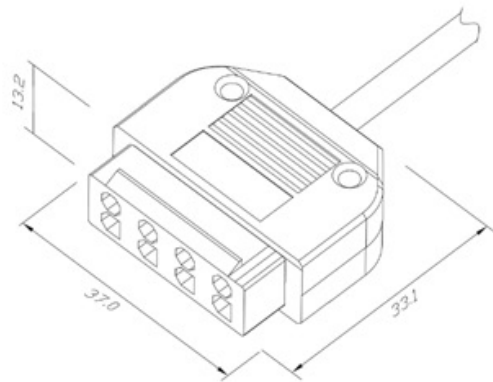
You are obliged to hand in these devices at one of the free collection points in your municipality. You can obtain more information from your local authority, the relevant town hall or a local or regional waste disposal company.

▲ **Keep packaging material and small parts away from children and animals. Danger of suffocation!**

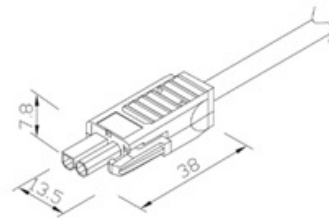
Connection representation



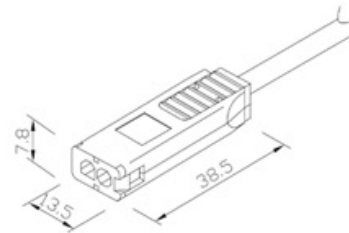
Dimensions & data



4-fold distributor



ClickConnect plug



ClickConnect jack