

Assembly/operating instructions for SSC-LUXon motion detector KELEA 990070794 / 990070795

1. Intended use

This product: -can be installed indoors and outdoors -protection type IP54, suitable for use in damp areas -must not be exposed to strong mechanical loads or heavy soiling -may not be operated after damp or dirty storage until after a condition check -may not be changed or modified, otherwise the operating permit and conformity will expire with immediate effect!

It is not allowed to remove the type plate.

▲ If the aforementioned points are not observed, a short circuit or electric shock may occur! **There is danger to life!**

2. General safety instructions

▲ The complete installation may only be carried out by an authorized electrician who is familiar with the applicable guidelines. Hereinafter referred to as „qualified electrician“.

▲ For safe handling of the product, the user must have read and understood the installation/operating instructions completely before using the device for the first time.

▲ The product may only be used if it is alright. If the device or parts of it are defective, it must be repaired by a qualified electrician.

▲ This product is not a toy and is not allowed to be stored or used within the reach of children.

▲ Safe operation of the product is only guaranteed if these instructions are followed. Therefore, keep these assembly/operating instructions. SSC-LUXon GmbH accepts no liability if the instructions given here are not followed or the lamp is subjected to improper use.

3. Assembly & configuration

▲ **Caution:** The connecting cable must be disconnected from the power supply before starting work (switch off the main switch/fuse)! Only use parts which are supplied with the product or which are clearly marked as equipment! Otherwise the product may not be sufficiently safe!

▲ The cable routing shown in the illustrations is for simplified purposes only. They in no way represent a recommendation for connection! The connection may only be carried out by a qualified electrician.

▲ When drilling, pay attention to cables and gas and water lines.

3.1 Assembly location

The product is suitable for mounting indoors & outdoors. Do not cover the product under any circumstances, especially not with insulating material!

4. Operation, faults & disorders

▲ **Caution:** Disconnect the connection cable from the power supply before starting work!

What to do in case of error?

In case of an error, the device must be switched off immediately. The product may only be operated if it works correctly. The device may only be put back into operation after it has been checked by a qualified electrician! **This is the case if:**

1. there is visible damage, 2. the product is not working correctly, 3. there is smoke, steam, or audible crackling noises, 4. overheating can be detected.

▲ **Caution:** There is a danger to life - repairs to the product or work on parts carrying mains voltage may only be carried out by qualified electricians.

Avoidance of disturbances and fire hazards:

It is not allowed to cover the product under any circumstances. Air circulation must be ensured. Nothing may be attached or hung on the product, especially no decoration.

5. Cleaning & care instructions

The product may only be wiped dry or carefully with a slightly damp and lint-free cloth. The product is not allowed to be removed for this purpose. Do not use abrasive or sharp objects or aggressive cleaning agents. Do not use solvents.

Assembly instructions KELEA motion detector 990070794 / 990070795



1. Disconnect the connecting cable from the power supply!

2. Loosen the cover on the back. Use as large a slotted screwdriver as possible. Lever out the cover by placing the screwdriver in the recess and carefully turning it. Fig.1

3. Drill through the marked spots on the cover (Ø 2 - 3 mm drill bit). Depending on where you want to install the motion detector: Wall or ceiling mounting / on 90° corners / in 90° corners. Fig.2

▲ **Tip:** Hold the cover against the light to see the markings better.

4. Mark the drill holes with the help of the back plate and drill the holes. Insert the the dowels into the holes. Feed the connection cables through the round rubber seals (pierce 2 cables each).

5. Screw the back plate to the wall. Connect the connection cables (input) to the luster terminal with the designation N & L (blue & black). Connect the connection cables (output) to the luster terminal with the designation A & N (red & blue). Fig.3

▲ **Note:** Input = current-carrying cable (supply cable) / Output = cable to the consumers (e.g. lights etc.). The designations A, N & L are also printed on the luster terminal.

6. Adjust the sensitivity and the light duration with the knobs on the bottom. Fig.4

7. Plug the motion detector onto the mounted cover. Make sure that the connection is firmly seated (latching sound).

8. Switch the connecting cable to voltage. The product is now ready for use.

Settings & troubleshooting – KELEA motion detector 990070794 / 990070795

1. Turn the time knob anticlockwise at the minimum (10s). Turn the LUX knob clockwise at the maximum (sun).

2. Switch on the power; the sensor and the connected lamp have no signal at the beginning. After a warm-up time of 30 seconds, the sensor can start working. When the sensor receives the signal, the load (lamp etc.) switches on. As long as there is no further signal, the load should stop working within 10s±3s and the lamp would switch off.

3. Turn the LUX knob counterclockwise to the minimum (-). If the ambient light is more than 10LUX, the sensor would not work and the lamp would also stop working. If the ambient light is less than 10LUX (darkness), the sensor would work. If there is no induction signal, the sensor should stop working within 10s ± 3s.

Note: When testing in daylight, please turn the LUX knob to the (SUN) position, otherwise the sensor lamp might not test!

Solutions in case of problems

The load (e.g. lights) does not work:

1. Please check whether all cables have been connected correctly and whether the main switch (fuse box) has been switched on.

2. Please check that the load is correctly connected to the power cable and that it is generally fully functional.

3. Please check whether the sensitivity (LUX) settings may be set too low.

The motion detector does not sound correctly:

1. Please check if there is an obstacle in front of the motion detector that prevents it from receiving the signals.

2. Please check if the ambient temperature (-20° to +40°) is too high.

3. Please check if the movement is within the maximum detection range (12 metres).

4. Please check whether the installation height corresponds to the height described in the technical data.

5. Please check that the motion detector has been set (rotated) so that it is aligned with the area to be detected.

The load does not switch off automatically:

1. Please check if there is a continuous signal in the detection field (moving trees etc.).

2. Please check if the time delay is set to the maximum position, in this case the time is set to 15 min.

Technical data KELEA motion detector 990070794 / 990070795



Can be used indoors and outdoors

Type: KELEA motion detector PIR swivelling & adjustable

Model: 990070794 / 990070795

Protection type: IP54

Voltage: 20-240 V AC - 50/60 Hz

Material: Plastic

Max. angle of coverage: 180° + 360°

Max. detection range: 12 meter

Operating temperature: -20° C - +40° C

Protection class: II

Lighting duration: 10 sec. to 15 min.

Max. power consumption: 2000 W

Installation height wall / ceiling: 1,8-2,5 m / 2,2-4 m

Colour: White / black

Notes / explanations & legend

Important information



Disconnect the device from the mains power before starting any work



Protection class II



Installation only by qualified electrician



Onlineshop:
www.led-lichtraum.de



Vers. 02/2022

Notes on use indoors & outdoors

▲ **Protection type IP20 & IP23:** Use only indoors and dry, i.e. do not use in damp or dirty rooms and in areas of high humidity.

▲ **Protection type IP4X, IP5X & IP6X:** Can be used indoors and outdoors.



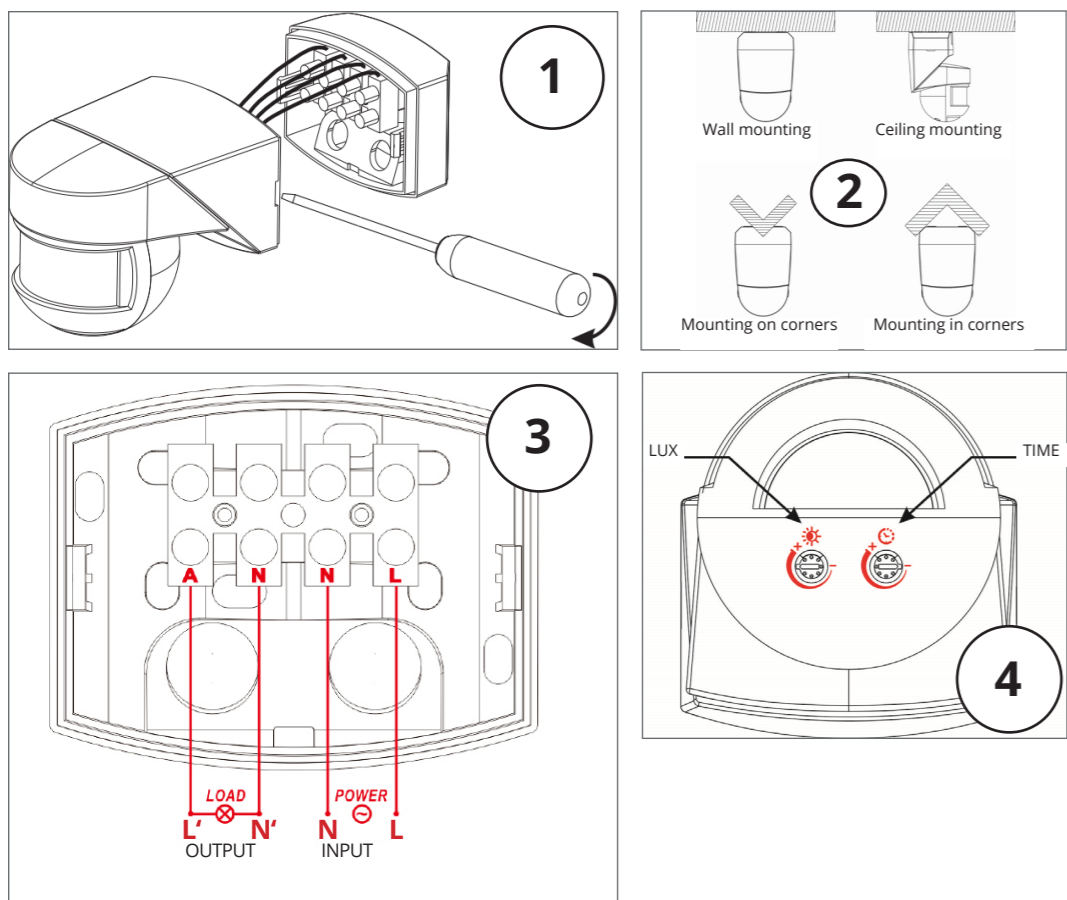
Satisfied with your product?
Then we look forward to your product review in our online store, on Amazon or eBay!

Disposal instructions



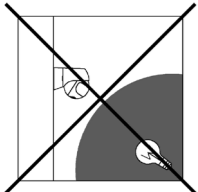
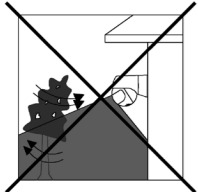
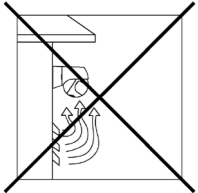
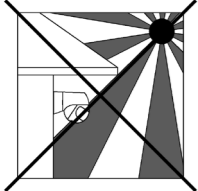
Make sure to dispose packaging in accordance with the applicable guidelines of your local authority. Devices marked with the crossed-out waste garbage do not belong in the household waste! You are obliged to hand in these devices at one of the free collection points in your municipality. You can obtain more information from your local authority, the relevant town hall or a local or regional waste disposal company.

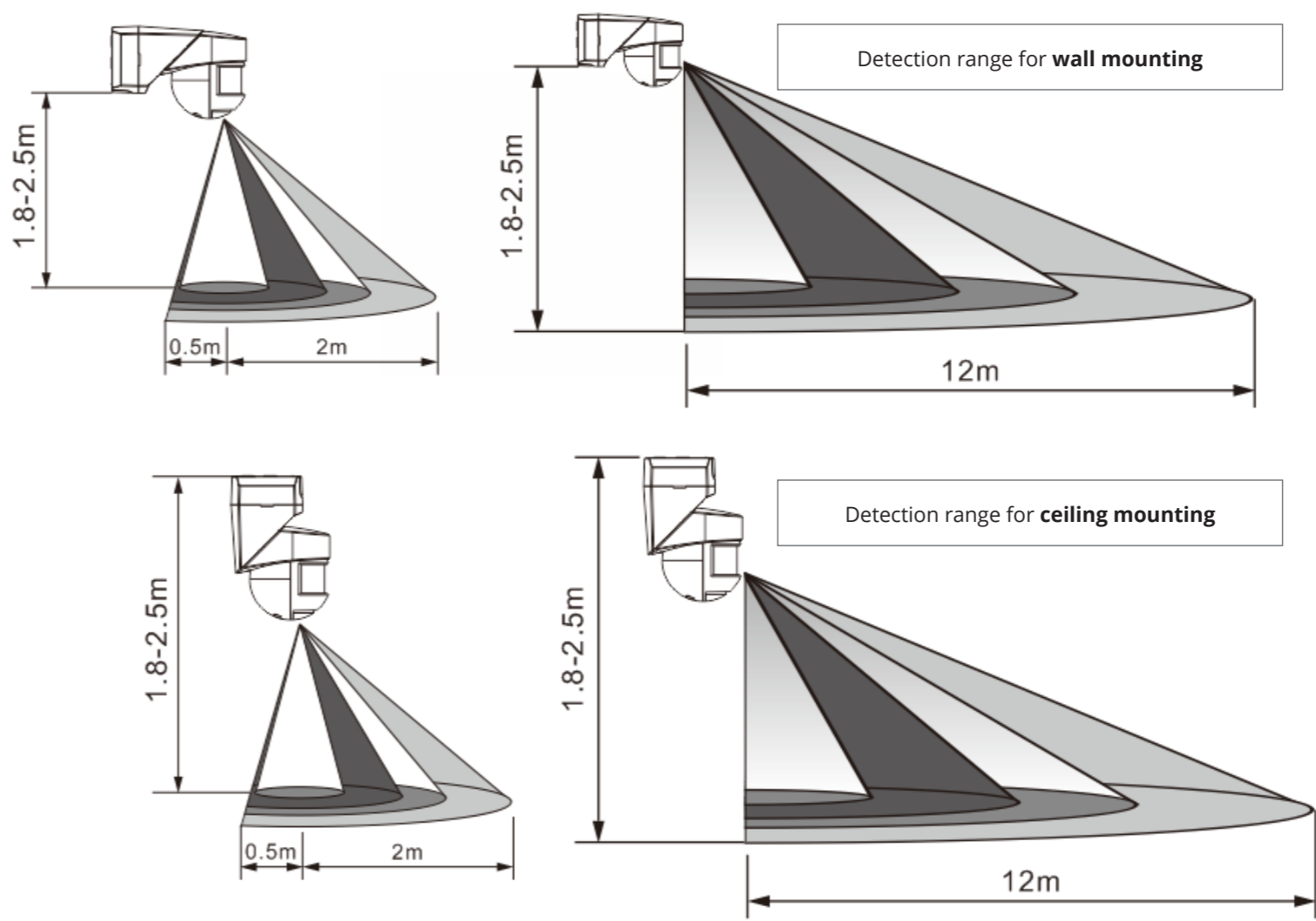
▲ **Keep packaging material and small parts away from children and animals. Danger of suffocation!**



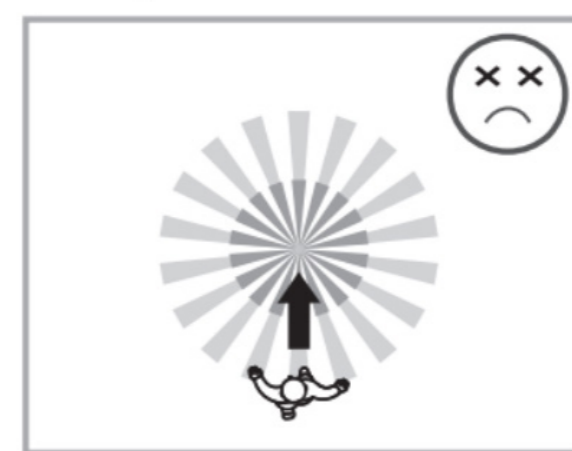
Safety instructions & tips

As the detector reacts to temperature changes, avoid the following situations:

-  Avoid pointing the detector at objects with highly reflective surfaces, such as mirrors, lights, etc.
-  Avoid pointing the detector at objects that can move in the wind, such as curtains, tall plants, etc.
-  Avoid mounting the detector near heat sources such as heating vents, air conditioners, lights, etc.
-  Avoid direct sunlight on the sensor, this can lead to the movement not being detected correctly.



More sensitive to movements that occur in the lateral detection range of the sensor



Less sensitive to movements that occur directly on the sensor