

## Installation and Operating Instructions / Technical Data Sheet for CERBUS Recessed Luminaires

### 1. Intended use

This product is intended solely for lighting purposes and: - must be mounted to direct light downwards only - is suitable for indoor and outdoor installation - has an IP65 rating, making it suitable for use in damp areas - must not be exposed to heavy mechanical stress or severe soiling - must be inspected for condition before operation if stored in damp or dirty conditions - must not be altered or modified; doing so will immediately void the operating authorization and conformity! The type plate must not be removed.

▲ Failure to comply with the aforementioned points may result in a short circuit or electric shock!  
**There is a danger to life!**

### 2. General Safety Instructions

- ▲ The entire installation must be carried out solely by an authorized qualified electrician who is familiar with the applicable regulations (hereinafter referred to as „qualified electrician“).
- ▲ To ensure safe handling of the product, the user must have fully read and understood the assembly and operating instructions before using the device for the first time.
- ▲ The product must only be used if it is in good condition. If the device or any parts of it are defective, it must be repaired by a qualified electrician.
- ▲ Use only lamps/bulbs approved by the manufacturer. The maximum lamp wattage must not be exceeded.
- ▲ This product is not a toy and must not be stored or used within the reach of children.
- ▲ Safe operation of the product is guaranteed only if these instructions are followed. Therefore, please keep these installation and operating instructions. linovum GmbH accepts no liability if the instructions provided here are not followed or if the luminaire is subjected to improper use.

### 3. Installation & Configuration

- ▲ **Caution:** Disconnect the power supply before starting work (switch off the main switch or fuse)! Use only parts supplied with the product or clearly designated as accessories! Otherwise, the product may not be sufficiently safe!
- ▲ The cable routings indicated in the illustrations are intended solely for highly simplified representation. They do not constitute a recommendation for connection! Connection must only be performed by a qualified electrician.
- ▲ Watch out for cables as well as gas and water pipes when drilling. Always route cables so that they do not touch the light fixture.

#### 3.1 Installation site

The product is suitable for ceiling installation. It must only be mounted on a stable, level surface where it will not tip over. Adequate air circulation must be ensured! Never cover the product, especially not with insulation material! Fire hazard!

- ▲ Maintain a sufficient distance (0.5 m) from easily flammable objects (e.g., curtains, drapes, etc.) and combustible materials!

### 4. Operation, lamp replacement, faults and malfunctions

▲ **Caution:** Disconnect the power supply before replacing lamps or bulbs! Allow to cool down before replacement!  
Do not cover! Covering the unit (e.g., with a towel) creates a fire hazard!

- ▲ Never look directly into the light source!

#### What should be done in the event of an error?

In the event of a fault, the device must be switched off immediately. The product must only be operated if it is functioning correctly. It may only be put back into operation after inspection by a qualified electrician.

#### This is the case if:

1. Visible damage occurs
2. The product does not function properly
3. Smoke or steam is emitted, or audible crackling sounds occur
4. Signs of overheating are detected.

▲ **Caution:** Danger to life – repairs to the product or work on parts carrying mains voltage must only be performed by qualified electricians.

▲ The product must under no circumstances be covered. Air circulation must be ensured. Nothing may be attached to or hung from the product, particularly no decorations.

### 5. Cleaning and care instructions

The product must only be wiped down carefully using a dry or slightly damp, lint-free cloth. Do not remove the product to do this. Do not use abrasive or sharp objects or aggressive cleaning agents. Do not use solvents.

### 6. Installation Instructions



1. The supply line must be de-energized: switch off the main switch/fuse. (Fig. A).
2. Measure and cut out the opening (see technical data table for diameter). (Fig. B).
3. Connect the power cable (L & N) to the light fixture. Use a terminal block here. (Fig. C1).
4. Push the spring clips upwards and insert the light into the cutout. (Fig. C2).
5. Suitable for ceilings with a thickness of 5–20 mm. (Fig. D).
6. Ensure that the product cannot fall down after installation.
7. Switch the main switch/fuse back on. (Fig. E)
8. The product is now ready for operation.

### 7. Technical data



Can be used indoors and outdoors.

|                              |  |
|------------------------------|--|
| <b>Type:</b>                 | Recessed ceiling spotlights  |
| <b>Protection type:</b>      | IP65   |
| <b>Voltage:</b>              | 220 bis 240 Volt - 50 hertz  |
| <b>Material:</b>             | Aluminium & plastic  |
| <b>Light source:</b>         | Permanently installed  |
| <b>Dimensions:</b>           | Ø 90 mm  |
| <b>Installation depth:</b>   | 22 mm  |
| <b>Cutout / Bolt circle:</b> | Ø min. 60 mm - max. 75 mm  |
| <b>Colour:</b>               | White  |
| <b>Energy efficiency:</b>    | This product contains a light source with energy efficiency class F. |

### Important information

- Distance to illuminated objects
- Protection class II
- Installation only by an authorized qualified electrician.
- Disconnect the device from the mains before performing any work.
- Do not cover with insulating material.

### Notes on indoor and outdoor use

- ▲ **Protection type IP2x-** For indoor use in dry areas only; do not use in damp or dirty environments or in areas with high humidity.
- ▲ **Protection type IP4x & IP6x -** Can be used indoors and outdoors.



Web:  
[www.linovum.de](http://www.linovum.de)



**Satisfied with your product?**  
Then we look forward to your product review on Amazon or eBay!



Vers. 10/2024

### Disposal instructions



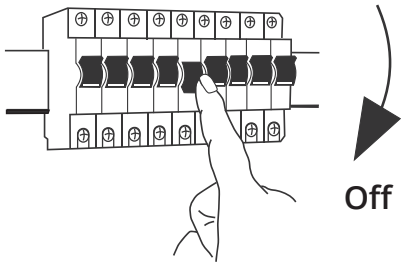
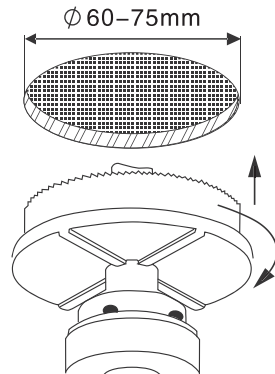
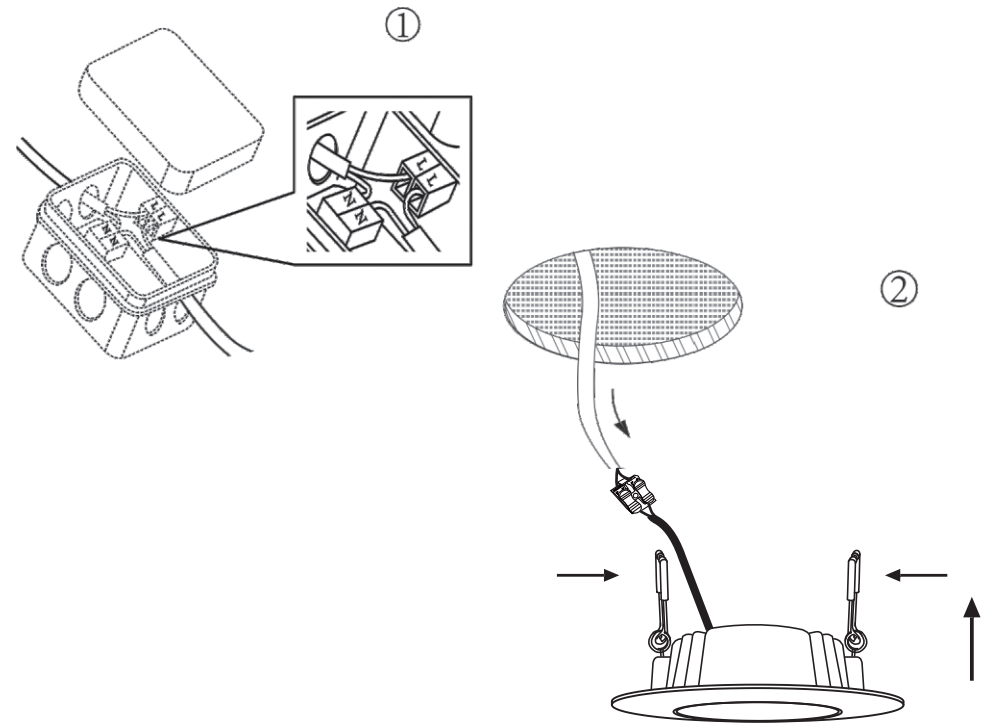
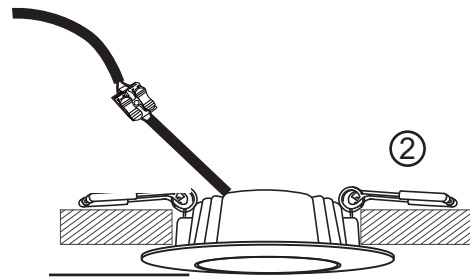
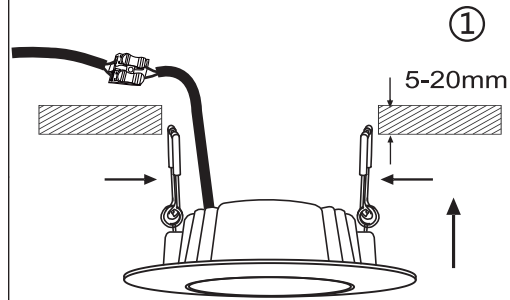
Please ensure that packaging is disposed of properly and in an environmentally friendly manner in accordance with your local municipality's regulations. Devices marked with the crossed-out wheeled bin symbol must not be disposed of with household waste! You are required to hand these devices over at one of the free collection points in your municipality. For further information, please contact your local municipal administration, the town hall, or a local or regional waste disposal service.

▲ **Keep packaging material and small parts well away from children and animals. Risk of suffocation!**

→ Manuel d'instructions en français

SCAN ME

[www.linovum.de/manuals](http://www.linovum.de/manuals)

**A****B****C****D****E**