

Installation and Operating Instructions for the SSC-LUXon LOXIR Motion Detector

1. Intended use

This product may: - be installed indoors and outdoors - has an IP54 protection rating, suitable for use in damp rooms - must not be subjected to heavy mechanical stress or heavy soiling - must only be operated after a condition check following storage in damp or soiled conditions - must not be altered or modified; otherwise, the operating licence and conformity will lapse with immediate effect! The type plate must not be removed

▲ Failure to comply with the above points may result in a short circuit or electric shock, **This is a life-threatening situation!**

2. General safety instructions

▲ The entire installation must only be carried out by an authorised electrician who is familiar with the applicable guidelines. Hereinafter referred to as the 'electrician'.

▲ To ensure the product is used safely, the user must have read and understood the assembly and operating instructions in full before using the appliance for the first time.

▲ The product must only be used if it is in good working order. If the appliance or any of its parts are faulty, it must be repaired by a qualified electrician.

▲ Use only lamps/bulbs approved by the manufacturer. The maximum lamp power in watts must not be exceeded

▲ This product is not a toy and must not be stored or used within reach of children.

▲ Safe operation of the product can only be guaranteed if these instructions are followed. You should therefore keep these assembly and operating instructions in a safe place. SSC-LUXon GmbH accepts no liability if the instructions set out here are not followed.

3. Installation & Configuration

▲ **Attention:** The connection cable must be disconnected from the mains before work begins (switch off the main switch/fuse)! Use only parts that are supplied with the product or are clearly labelled as accessories! Otherwise, the product may not be sufficiently safe!

▲ The cable routing shown in the illustrations is for simplified representation purposes only. It does not in any way constitute a recommendation for connection! The connection must only be carried out by a qualified electrician.

▲ When drilling, take care to avoid cables, gas pipes and water pipes.

3.1 Installation site

The product is suitable for installation indoors and outdoors. Do not cover the product under any circumstances, especially not with insulating material!

4. Operation, Faults & Malfunctions

▲ **Attention:** Disconnect the supply cable from the mains before starting work!

What should you do if an error occurs?

In the event of a fault, the appliance must be switched off immediately. The product must only be used if it is in perfect working order. It must not be put back into operation until it has been checked by a qualified electrician! **This is the case when:**

1. Visible damage is present 2. The product is not working properly 3. It is emitting smoke or steam, or making audible crackling noises 4. Signs of overheating are evident.

▲ **Attention:** There is a risk of death – repairs to the product or work on live parts must only be carried out by qualified electricians.

Preventing malfunctions and fire hazards:

Under no circumstances should the product be covered. Air circulation must be ensured. Nothing must be attached to or hung from the product, in particular no decorations.

5. Cleaning and Care Instructions

The product should only be wiped clean with a dry cloth or a slightly damp, lint-free cloth. The product must not be dismantled for this purpose. Do not use abrasive or sharp objects, or harsh cleaning agents. Do not use solvents.

6. Installation instructions for the LOXIR motion detector

- ▲ **Important:** Before you start, switch off the power so that there is no longer any electricity in the circuit!
- Loosen the two screws at the top of the unit and remove the ceiling bracket (Fig. 1).
- To make it easier, briefly remove the terminal block from its bracket.
- Hold the ceiling bracket in the desired position and mark out the holes. Drill the holes and insert the wall plugs.
- Feed the power cable through the rubber seals and screw the ceiling bracket securely to the ceiling
- Now connect the cables:
 - Input / Power supply: Connect the supply cables to terminals N (blue) and L (brown/black).
 - Output / Load: Connect the cables from your lamp to A (red) and N (blue) (Fig. 3).
- ▲ **Tip:** The wiring diagram is shown again on the inside of the ceiling bracket
- Place the motion detector back onto the ceiling bracket. Make sure that the screw holes line up.
- Secure everything back in place using the two screws from the start.
- You can now switch the power back on – the motion detector is fully installed and ready for use.

7. Set-up & Initial Settings

1. First, turn the time control (Fig. 4) all the way to the left (anti-clockwise) so that the light comes on only briefly – for about 10 seconds. Then turn the LUX control (Fig. 4) all the way to the right (clockwise) to the sun symbol (2000). This ensures the sensor responds correctly even in daylight – which is important for the initial test.

2. Switch on the power now. The sensor takes about 30 seconds to activate. It will not respond during this time. After that, it will switch the light on when it detects movement. Once there is no longer any movement, the light will switch off automatically after about 10 seconds.

3. If you want the sensor to react only in the dark, turn the LUX control back to the left to the desired setting. The light will now only switch on when it is dark enough (ambient brightness of less than approx. 3–10 lux). Here too, the light will switch off again after approx. 10 seconds if no movement is detected. Then use the time control to set how long the light should remain on after movement is detected – from 10 seconds up to a maximum of 15 minutes.

▲ **Important:** If you wish to test the sensor during the day, always turn the LUX control to the sun symbol. Otherwise, the lamp will not respond to daylight. The correct setting for the LUX control depends very much on the location – simply try it out until you find the right setting for your particular application.

8. Ways of resolving problems

The load (e.g. lights) is not working:

- Check that all cables have been connected correctly and that the main switch has been turned on.
- Please check that the load is correctly connected to the power cable and that it is fully functional.
- Please check whether the sensitivity setting (LUX) might be set too low.

The motion detector is not switching correctly:

- Check whether there is an obstacle in front of the motion detector that is preventing it from receiving signals.
- Please check whether the ambient temperature (-20° to +40°) is too high.
- Please check that the movement is within the maximum detection range (max. 12 metres)
- Please check that the installation height matches the height specified in the technical data.
- Please check that the motion detector has been positioned (rotated) so that it is aimed at the area to be monitored.

The load does not switch off automatically:

- Please check whether there is a continuous signal within the detection field (moving trees, etc.).
- Please check whether the time control (Fig. 4) is set to the maximum position; in this case, the time is set to 15 minutes.

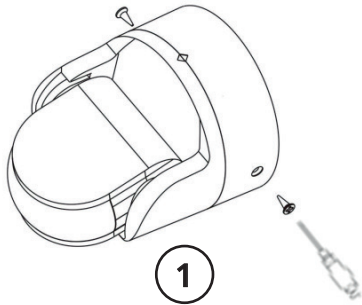
9. Technical Specifications for the LOXIR Motion Detector



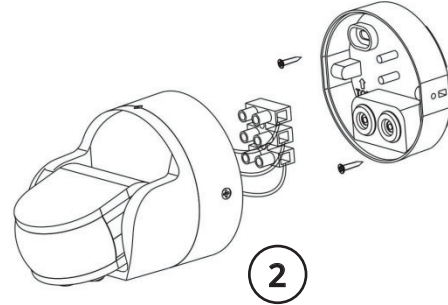
For indoor use only.

Type:	LOXIR
Model:	Ceiling mounting
Protection type:	IP54
Voltage:	220-240 V AC - 50/60 Hz
Material:	Plastic
Max. detection angle:	180° + 360°
Max. detection area:	12 meters
Operating temperature:	-20° C - +40° C
Protection class:	II
Burn time:	10 sec. to 15 min.
Maximum power consumption:	1200 W (LED max. 300 W)
Optimal installation height:	1,8-2,5 m
Colour:	White / black

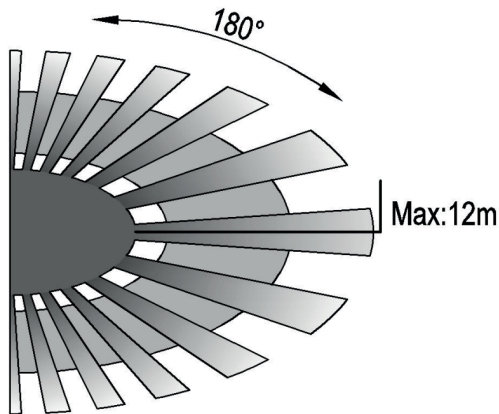
10. Installation diagram for the LOXIR motion detector



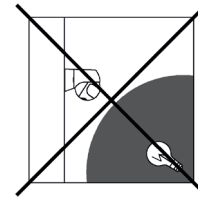
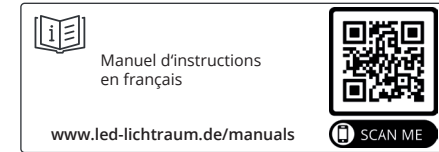
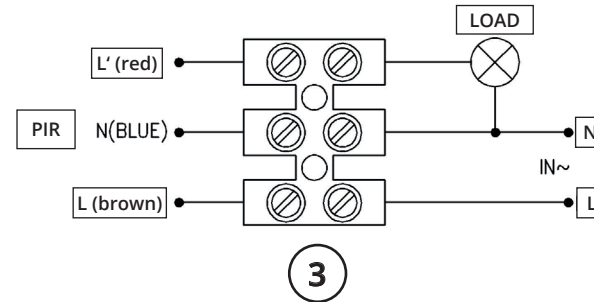
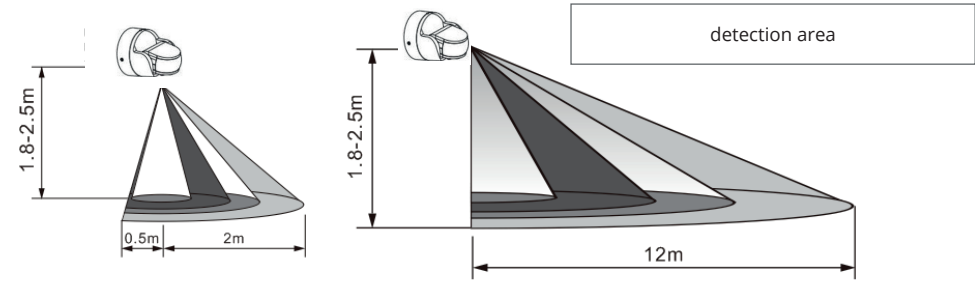
Coverage area of the under-crawl protection



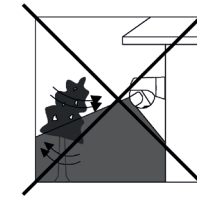
Adjusting sensitivity & duration



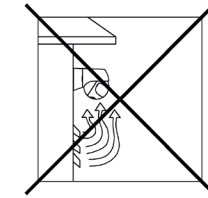
11. Sensor information & detection range



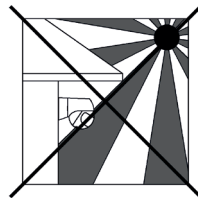
Avoid pointing the detector towards objects with highly reflective surfaces, such as mirrors, lights, etc.



Avoid pointing the detector at objects that may move in the wind, such as curtains, tall plants, etc.



Avoid installing the detector near heat sources such as heating vents, air conditioning units, lights, etc.



Avoid exposing the sensor to direct sunlight, as this may prevent it from detecting movement correctly.

12. Notes / Explanations & Key

Important information



Disconnect the appliance from the mains before carrying out any work



Protection Class II



Installation must be carried out by an authorised electrician only



Minimum distance from illuminated objects: 0.5 m



Can be used indoors and outdoors

Guidance on indoor and outdoor use

▲ IP2x protection rating: For indoor use only in dry conditions; therefore, not in damp or dirt-prone rooms, nor in areas with high humidity

▲ Protection class IP4x, IP5x & IP6x: Can be used indoors and outdoors



Vers. 07/2025



Onlineshop: www.led-lichtraum.de



Satisfied with your product?
We look forward to your product review in our online shop, on Amazon or eBay!

Entsorgungshinweise



Please ensure that you dispose of packaging in accordance with your local authority's current guidelines, in a manner that is both safe and environmentally sound. Appliances marked with the crossed-out wheellie bin symbol must not be put in the household waste! You are obliged to hand these appliances in at one of the free collection points in your local area. For further information, please contact your local council, the relevant town hall or a local or regional waste management company.

▲ Keep packaging materials and small parts well out of the reach of children and pets. Risk of suffocation!