

Installation and Operating Instructions for SSC-LUXon 2-in-1 Motion Detector DALIX

1. Intended Use

This product is intended solely for lighting purposes and must:

- be installed only indoors / be operated only in dry environments (i.e., not in damp rooms, areas prone to dirt accumulation, or areas with high humidity) - not be subjected to significant mechanical stress or heavy soiling - be operated only after a condition check following storage in damp or dirty conditions - not be altered or modified; otherwise, the operating authorization and conformity status will become void with immediate effect! The type plate must not be removed.

▲ Sollten die vorgenannten Punkte nicht eingehalten werden, kann es zu einem Kurzschluss oder elektrischen Schlag kommen!

There is a danger to life!

2. General Safety Instructions

▲ The complete installation must be carried out only by an authorized qualified electrician who is familiar with the applicable regulations (hereinafter referred to as „qualified electrician“).

▲ To ensure safe handling of the product, the user must have fully read and understood the assembly and operating instructions before using the device for the first time.

▲ The product may only be used if it is in good condition. If the device or parts of it are defective, it must be repaired by a qualified electrician.

▲ Use only accessories approved by the manufacturer.

▲ This product is not a toy and must not be stored or used within the reach of children.

▲ Safe operation of the product is guaranteed only if these instructions are followed. Therefore, please keep these installation and operating instructions. SSC-LUXon GmbH assumes no liability if the instructions provided here are not followed.

3. Montage & Konfiguration

▲ **Attention:** Disconnect the power supply before starting work (switch off the main switch or circuit breaker)! Use only parts supplied with the product or clearly designated as accessories! Otherwise, the product may not be sufficiently safe!

▲ The cable routings indicated in the illustrations are intended solely for highly simplified representation. They do not constitute a recommendation for connection! Connection must only be performed by a qualified electrician.

▲ Watch out for cables as well as gas and water pipes when drilling.

3.1 Installation site

The product is suitable for indoor installation. Do not cover the product under any circumstances, especially not with insulating material!

4. Operation, Errors, and Faults

▲ **Caution:** Disconnect the power supply to the connecting cable before starting work!

What should be done in the event of an error?

In the event of a fault, the device must be switched off immediately. The product may only be operated if it is functioning correctly. It may only be put back into operation after inspection by a qualified electrician! This applies if:

1. Visible damage occurs
2. The product is not working properly
3. There is smoke or steam, or audible crackling noises
4. Signs of overheating are detected.

▲ **Caution:** Danger to life – repairs to the product or work on parts carrying mains voltage must only be performed by qualified electricians.

Prevention of disruptions and fire hazards:

The product must under no circumstances be covered. Air circulation must be ensured. Nothing may be attached to or hung from the product, particularly no decorations.

5. Cleaning and care instructions

The product must only be wiped down carefully using a dry or slightly damp, lint-free cloth. Do not remove the product to do this. Do not use abrasive or sharp objects or aggressive cleaning agents. Do not use solvents.

6. Installation instructions for the mounting variant

1. Make absolutely sure to disconnect the power supply before starting!
2. Turn the front cover slightly clockwise and remove it. (Fig. 2).
3. (optional) If the surface-mounting frame is still attached, please remove it first. To do this, use a small flat-head screwdriver to carefully pry out the frame next to the three mounting points. The parts are simply clipped in place—please do not use force.
4. Route the connection cable through the large opening on the mounting clip adapter and secure it with the strain relief. (Fig. 1).
5. Connect the cables: 1. Power supply (Input): connect to terminals N and L. 2. Outgoing line (Output): connect to A and N – pay attention to the markings on the back (LOAD & POWER). (Fig. 4)
▲ **Information on the lines:** INPUT/POWER = Supply line (power supply) - OUTPUT/LOAD = Load (e.g., lights) - The letters A, N & L are also marked directly on the back.
6. Now assemble the motion detector and the mounting clip adapter until you hear an audible „click.“ Then, turn the front cover slightly counter-clockwise to secure it. (Fig. 2).
7. Finally, push the spring clips upwards and insert the light into the prepared ceiling cutout.
8. You can now switch the power back on – the motion detector is ready for operation.

7. Assembly instructions – assembly variant

1. Make absolutely sure to disconnect the power supply before starting!
2. Turn the front cover slightly clockwise and remove it. (Fig. 2).
3. (optional) If the mounting frame adapter is still installed, remove it first. Use a small flat-head screwdriver to carefully pry the frame out at the two attachment points. The parts are simply clipped in place—please do not use force.
4. Hold the mounting frame against the desired location, mark the two drill holes, and drill them. Insert the wall plugs into the holes. On suitable surfaces, you can also screw the frame directly in place.
5. Route the connection cable through the large opening in the mounting frame and screw the frame firmly in place.
6. Connect the cables: 1. Power supply (Input): connect to terminals N and L. 2. Outgoing line (Output): connect to A and N – pay attention to the markings on the back (LOAD & POWER). (Fig. 4)
▲ **Information on the lines:** INPUT/POWER = Supply line (power supply) - OUTPUT/LOAD = Load (e.g., lights) - The letters A, N & L are also marked directly on the back.
7. Attach the motion detector to the surface-mounting frame until it audibly snaps into place (a „click“). Then, twist the front cover slightly counter-clockwise to put it back on.
8. Finally, switch the power back on – the motion detector is now ready for operation.

8. Commissioning

1. Turn the front cover slightly clockwise and remove it. (Fig. 2).
2. First, set the time control (Fig. 5) to the shortest illumination duration by turning it fully counter-clockwise to the left (approx. 10 seconds). Then, turn the LUX control (Fig. 5) fully clockwise to the right, pointing to the sun symbol. This ensures the sensor reacts even in daylight—which is important for the initial functional test.
3. You can now switch on the power. Upon initial activation, the sensor takes approximately 30 seconds to become operational; during this time, it does not yet respond to movement. Afterward, the light turns on as soon as movement is detected. When no further movement is detected, the light automatically switches off again after about 10 seconds.
4. If you want the sensor to react only in darkness, turn the LUX control counter-clockwise to your desired setting. The sensor will now activate only when it is darker (minimum ambient brightness of less than approx. 10 lux). In this mode, too, the light switches off after approx. 10 seconds once no further movement is detected. Set the desired illumination duration using the time control (Fig. 4) (minimum 10 sec. to maximum 15 min.).

▲ **Important:** If you wish to test the sensor in daylight, the LUX control must be turned to the sun symbol; otherwise, the lamp will not react during the day.

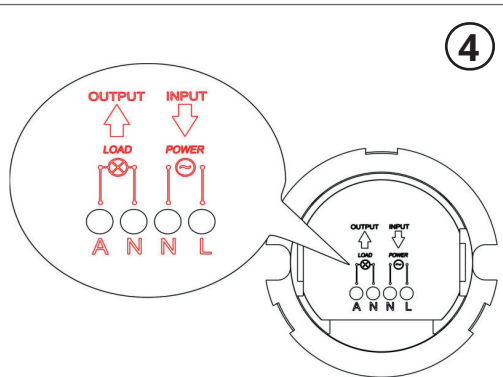
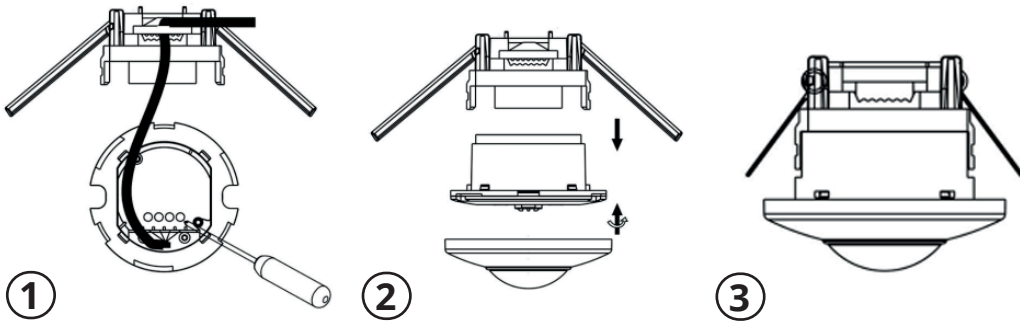
9. Technical Data: DALIX Motion Detector



Can only be used indoors.

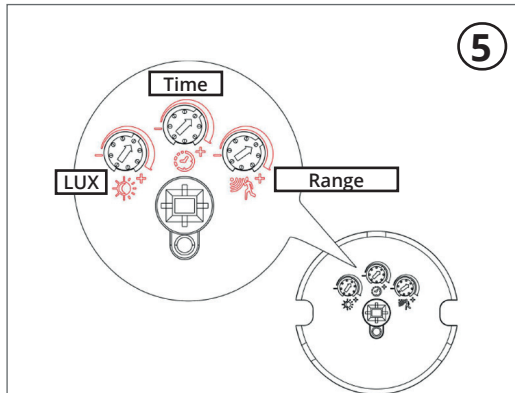
Type:	DALIX
Model:	Ceiling mounting
Protection type:	IP20
Voltage:	220-240 V AC - 50/60 Hz
Material:	Plastic
Max. detection angle:	360°
Max. detection range:	2 - 16 meters
Operating temperature:	-20° C - +40° C
Protection class:	II
Illumination time:	10 sec. to 7 min.
Max. power consumption:	2000 W (LED max. 1000W)
Optimal installation height:	2,2 - 4,0 m
Colour:	White

10. DALIX Motion Detector Mounting and Installation Diagram



OUTPUT / LOAD: Output to loads such as lights, etc.

INPUT / POWER: Input 220-240 V AC - 50/60 Hz

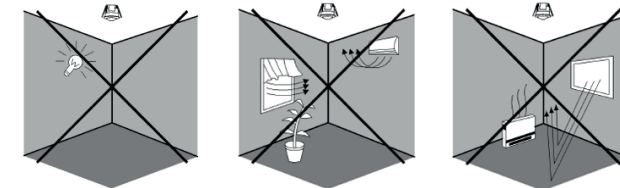
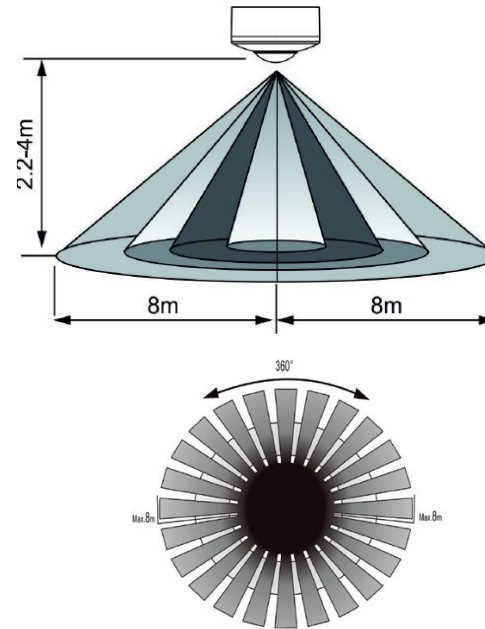


LUX: Light sensitivity setting – night mode to daylight

Time: Controls how long power flows to the connected devices – 10 seconds to 7 minutes.

Range (sensor): Sensor detection range 2 to 16 meters

11. Sensor Information & Detection Range



Avoid pointing the detector at objects with highly reflective surfaces, such as mirrors, lights, etc.

Avoid pointing the detector at objects that might move in the wind, such as curtains, tall plants, etc.

Avoid mounting the detector near heat sources, such as heating vents, air conditioning units, lights, etc.

12. Solutions to problems

The load (e.g., lights) is not working:

1. Check whether all cables have been connected correctly and whether the main switch has been turned on.
2. Please check whether the load is correctly connected to the power cable and whether it is fully functional.
3. Please check whether the sensitivity (LUX) setting might be too low.

The motion detector is not switching correctly:

1. Check whether there is an obstacle in front of the motion detector.
2. Please check whether the movement is within the maximum detection range (max. 12 meters).
3. Please check whether the installation height matches the height specified in the technical data.
4. Please check whether the motion detector has been adjusted (rotated) so that it is aligned with the area to be monitored.

The load does not switch off automatically:

1. Please check whether there is a continuous signal in the detection zone (moving trees, etc.).
2. Please check whether the time control (Fig. 4) is set to the maximum position; in this case, the time is set to 15 minutes.



12. Notes / Explanations & Legend

Important Information

- Disconnect the device from the mains before performing any work.
- Protection Class I
- Installation only by an authorized qualified electrician.
- Minimum distance to illuminated objects: 0.5 m
- Satisfied with the product?** Then we look forward to your product review in the online shop, on Amazon, or on eBay!

Notes on indoor and outdoor use

- Protection class IP2x:** For indoor use in dry conditions only; do not use in damp or dirty environments or in areas with high humidity.
- Protection class IP4x, IP5x & IP6x:** Can be used indoors and outdoors.

CE Vers. 07/2025

Online shop:
www.led-lichtraum.de

Disposal instructions

- Please ensure that packaging is disposed of properly and in an environmentally friendly manner in accordance with your local municipality's regulations. Devices marked with the crossed-out wheeled bin symbol must not be disposed of with household waste! You are required to hand these devices over at one of the free collection points in your municipality. For further information, please contact your local municipal administration, the town hall, or a local or regional waste disposal service.

Keep packaging material and small parts well away from children and animals. Risk of suffocation!