

## Installation and Operating Instructions for the SSC-LUXon KELEA Motion Detector

### 1. Intended use

This product may: - be installed indoors and outdoors - has an IP54 protection rating, suitable for use in damp rooms - must not be subjected to heavy mechanical stress or heavy soiling - must only be operated after a condition check following storage in damp or soiled conditions - must not be altered or modified; otherwise, the operating licence and conformity will lapse with immediate effect! The type plate must not be removed

▲ Failure to comply with the above points may result in a short circuit or electric shock, **This is a life-threatening situation!**

### 2. General safety instructions

▲ The entire installation must only be carried out by an authorised electrician who is familiar with the applicable guidelines. Hereinafter referred to as the 'electrician'.

▲ To ensure the product is used safely, the user must have read and understood the assembly and operating instructions in full before using the appliance for the first time.

▲ The product must only be used if it is in good working order. If the appliance or any of its parts are faulty, it must be repaired by a qualified electrician.

▲ Use only lamps/bulbs approved by the manufacturer. The maximum lamp power in watts must not be exceeded

▲ This product is not a toy and must not be stored or used within reach of children.

▲ Safe operation of the product can only be guaranteed if these instructions are followed. You should therefore keep these assembly and operating instructions in a safe place. SSC-LUXon GmbH accepts no liability if the instructions set out here are not followed.

### 3. Installation & Configuration

▲ **Attention:** The connection cable must be disconnected from the mains before work begins (switch off the main switch/fuse)! Use only parts that are supplied with the product or are clearly labelled as accessories! Otherwise, the product may not be sufficiently safe!

▲ The cable routing shown in the illustrations is for simplified representation purposes only. It does not in any way constitute a recommendation for connection! The connection must only be carried out by a qualified electrician.

▲ When drilling, take care to avoid cables, gas pipes and water pipes.

#### 3.1 Installation site

The product is suitable for installation indoors and outdoors. Do not cover the product under any circumstances, especially not with insulating material!

### 4. Operation, Faults & Malfunctions

▲ **Attention:** Disconnect the supply cable from the mains before starting work!

#### What should you do if an error occurs?

In the event of a fault, the appliance must be switched off immediately. The product must only be used if it is in perfect working order. It must not be put back into operation until it has been checked by a qualified electrician! **This is the case when:**

1. Visible damage is present 2. The product is not working properly 3. It is emitting smoke or steam, or making audible crackling noises 4. Signs of overheating are evident.

▲ **Attention:** There is a risk of death – repairs to the product or work on live parts must only be carried out by qualified electricians.

#### Preventing malfunctions and fire hazards:

Under no circumstances should the product be covered. Air circulation must be ensured. Nothing must be attached to or hung from the product, in particular no decorations.

### 5. Cleaning and Care Instructions

The product should only be wiped clean with a dry cloth or a slightly damp, lint-free cloth. The product must not be dismantled for this purpose. Do not use abrasive or sharp objects, or harsh cleaning agents. Do not use solvents.

### 6. Installation instructions for the KELEA motion detector

1. Before starting, make sure the connection cable is disconnected from the mains!

2. Loosen the cover on the back using a large flat-head screwdriver. Insert the screwdriver into the recess provided and carefully pry the cover out (by turning it) (Fig. 1).

3. Drill through the marked areas on the cover (using a 2–3 mm drill bit) – depending on where you wish to install the motion detector: wall or ceiling mounting / on 90° corners / in 90° corners (Fig.2). ▲ **Tip:** Hold the cover up to the light to see the markings more clearly.

4. Hold the back plate in position, mark out the drill holes and drill them. Feed the connection cable through the rubber seal (pierce the seal) and insert the wall plugs.

5. Screw the back plate to the wall or ceiling.

6. Connecting the cable:

1. Power supply (input): connect to terminal block N (blue) and L (brown/black).

2. Outgoing cable (output/load): connect to A (red) and N (blue). (Fig. 3)

▲ **Information about the cables:** Input = supply line (power supply) – Output = load (e.g. lights) – The letters A, N and L are also marked directly on the terminal block.

7. Adjust the sensitivity and the light duration using the rotary controls on the underside (Fig.4).

8. Place the motion detector onto the back panel and press it firmly until you hear a distinct 'click' indicating that it has locked into place.

9. Switch on the power supply – the motion detector is now ready for use.

### 7. Set-up & Initial Settings

1. First, set the time control (Fig. 4) to the shortest lighting duration by turning it anti-clockwise all the way to the left (approx. 10 seconds). Then turn the LUX control (Fig. 4) clockwise all the way to the right, to the sun symbol. This ensures that the sensor responds even in daylight – which is important for the initial function test.

2. You can now switch on the power. When switched on for the first time, the sensor takes around 30 seconds to become operational. During this time, it will not yet respond to movement. After that, the light will switch on as soon as movement is detected. If no further movement is detected, the light will switch off automatically after approximately 10 seconds.

3. If you want the sensor to respond only in the dark, turn the LUX control anti-clockwise again to your desired setting. The sensor will now only activate when it is darker (minimum ambient brightness below approx. 10 lux). Here too, the light switches off again after approx. 10 seconds as soon as no further movement is detected. Set the desired lighting duration using the time control (Fig. 4) (minimum 10 seconds to maximum 15 minutes).

▲ **Important:** If you wish to test the sensor in daylight, the LUX control must be turned to the sun symbol; otherwise, the lamp will not respond during the day.

### 8. Ways of resolving problems

**The load (e.g. lights) is not working:**

1. Check that all cables have been connected correctly and that the main switch has been turned on.
2. Please check that the load is correctly connected to the power cable and that it is fully functional.
3. Please check whether the sensitivity (LUX) setting might be set too low.

**The motion detector is not switching on correctly:**

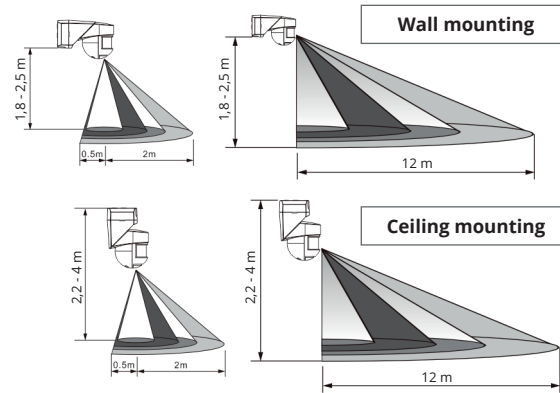
1. Check whether there is an obstacle in front of the motion detector that is preventing it from receiving signals.
2. Please check whether the ambient temperature (-20° to +40°) is too high.
3. Please check that the movement is within the maximum detection range (max. 12 metres)
4. Please check that the installation height matches the height specified in the technical data.
5. Please check that the motion detector has been adjusted (rotated) so that it is pointing towards the area to be monitored.

**The load does not switch off automatically:**

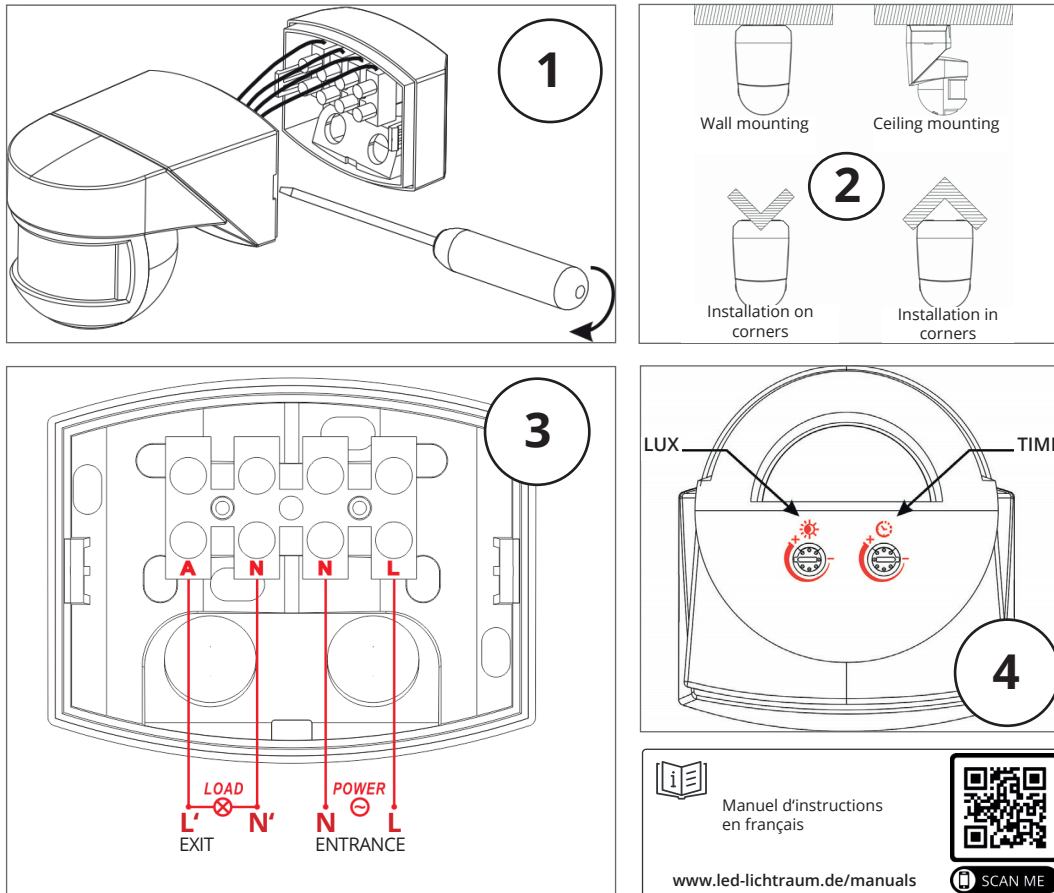
1. Please check whether there is a continuous signal within the detection field (moving trees, etc.).
2. Please check whether the time control (Fig. 4) is set to the maximum position; in this case, the time is set to 15 minutes.

## 9. Technical Specifications: KELEA Motion Detector

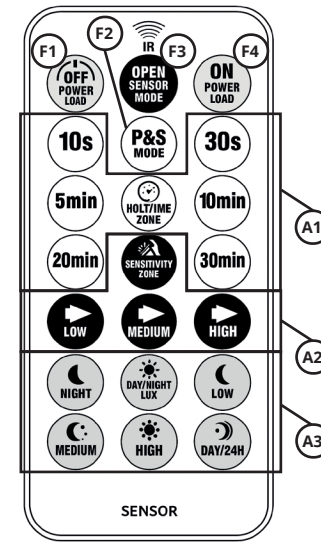
Type:	KELEA
Model:	Ceiling or wall mounting
Protection class:	IP54
Suspense:	220-240 V AC - 50/60 Hz
Material:	Plastic
Max. detection:	180° + 360°
Max. range:	12 Meter
Operating temperature:	-20° C - +40° C
Protection class:	II
Burn time:	10 Sek. bis 15 Min.
Max. power:	2000 W (LED max. 1000 W)
Inst. height:	1,8-2,5 m / 2,2-4 m
Colour:	Black or white



## 10. Installation diagram for the KELEA motion detector



## 11. Operation via remote control



### Sensor mode (normal operation):

Switch the motion detector to „ON“ (F4) and press Open Sensor Mode (F3) – Now set the desired setting:  
 (A1): Duration and time settings from 10 seconds to 30 minutes. The power remains on for this duration.

(A2): Set the sensor sensitivity to Low > Medium > High.

(A3): Light sensitivity ranging from night mode to 24-hour operation. The ambient light level at which the sensor begins to respond.

### Continuous operation:

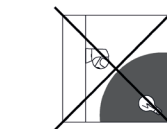
If the sensor is in sensor mode (F3) and the light is on, you can switch the connected lights on permanently by switching the power off and on twice within 5 seconds (i.e. OFF – ON – OFF – ON). The sensor then switches to what is known as 'override mode'. In this mode, the blue indicator LED on the sensor remains lit continuously and the connected lights remain switched on continuously (remains active for 8 hours). Switch the power off for at least 10 seconds and then switch it back on to end the continuous operation early.

### P&S mode (Light-sensitive sensor mode):

Press the 'P&S MODE' button (F2) to activate the light sensor mode (photocell). The lamp will switch on and off briefly once to confirm that the mode has started. The following now applies: – If the brightness is less than 10 lux, the lamp switches on automatically. – When the brightness exceeds 150 lux, it switches off. Whilst the sensor is operating, the blue indicator light on the sensor flashes every 1 second.

**Important:** After each setting is adjusted using the remote control, the power is cut off for 1 second – this indicates that the change has been applied.

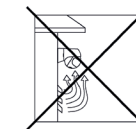
**Important:** Settings made using the remote control always take precedence over the settings made using the dials on the sensor.



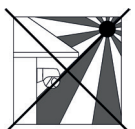
Avoid pointing the detector towards objects with highly reflective surfaces, such as mirrors, lights, etc.



Avoid pointing the detector at objects that may move in the wind, such as curtains, tall plants, etc.



Avoid installing the detector near heat sources such as heating vents, air conditioning units, lights, etc.



Avoid exposing the sensor to direct sunlight, as this may prevent it from detecting movement correctly.

## 12. Notes / Explanations & Key

### Important information

- Disconnect the appliance from the mains before carrying out any work
- Protection Class II
- Installation must be carried out by an authorised electrician only
- Minimum distance from illuminated objects: 0.5 m
- Can be used indoors and outdoors

### Guidance on indoor and outdoor use

- IP2x protection rating:** For indoor use only in dry conditions; therefore, not in damp or dirt-prone rooms, nor in areas with high humidity
- Protection class IP4x, IP5x & IP6x:** Can be used indoors and outdoors

CE Vers. 07/2025

Onlineshop: [www.led-lichtraum.de](http://www.led-lichtraum.de)

**Satisfied with your product?**  
 We look forward to your product review in our online shop, on Amazon or eBay!

### Entsorgungshinweise

Please ensure that you dispose of packaging in accordance with your local authority's current guidelines, in a manner that is both safe and environmentally sound. Appliances marked with the crossed-out wheeler bin symbol must not be put in the household waste! You are obliged to hand these appliances in at one of the free collection points in your local area. For further information, please contact your local council, the relevant town hall or a local or regional waste management company.

**Keep packaging materials and small parts well out of the reach of children and pets. Risk of suffocation!**