

LUCCI
AIRFUSION MOTO
DC CEILING FAN

- **INSTALLATION**
- **OPERATION**
- **MAINTENANCE**
- **WARRANTY INFORMATION**

CAUTION
READ INSTRUCTIONS CAREFULLY FOR SAFE
INSTALLATION AND FAN OPERATION.

CONTENTS

GB	Installation instruction manual	2
D	Installationsanleitung	14
F	Guide d'installation.....	27
E	Manual de instrucciones de instalación.....	40
I	Manuale delle istruzioni di installazione.....	53
NL	Installatiehandleiding.....	65
EL	Εγχειρίδιο οδηγιών εγκατάστασης	78

Contact:

Beacon International Ltd

Hong Kong Head Office: Room 05, 18/F, Kimberland Center, 55 Wing Hong Street, Cheung Sha Wan Kowloon, Hong Kong
Tel +852 34915904 Fax +852 34915917

China showroom / Office: 11/FI, Guzhen Lighting Building B, Mid Zhongxing Road, Guzhen, Zhongshan, GuangDong, China.

Tel: +86 760 8986 6388 Fax: +86 760 8986 6380

info@beaconinternational.com

www.beaconinternational.com

Beacon Lighting Europe GmbH

Campus Fichtenhain 42, 47807 Krefeld, Germany

TEL +49 (2151) 325 82 39 FAX +49 (2151) 325 70 65

sales@beaconlighting.eu

www.beaconlighting.eu



GB

THANK YOU FOR PURCHASING

Thank you for purchasing the latest in energy saving ceiling fans. This fan runs on DC (direct current) power which gives it the benefit of being super energy efficient whilst still maintaining high volume air-movement and silent operation.

Energy saving - The DC motor is the latest technology in fan design. Its highly efficient motor saves up to 65% more energy than ceiling fans with traditional AC motors.

Silent operation – This DC fan motor is programmed with a stabilised current which efficiently reduces motor noise.


Low operating temperature – The DC power is managed effectively which brings down the motor operating temperature to less than 50°C. This results in a much cooler motor than a standard AC fan and increases the longevity of the motor.

6 speed remote control - Regular AC ceiling fans usually come with only 3 speeds, this DC fan comes complete with a 6 speed remote, which gives a greater choice of comfort levels.

SAFETY PRECAUTIONS

1. This appliance can be used by children aged from 8 years and above and persons with reduced physical, sensory or mental capabilities or lack of experience and knowledge if they have been given supervision or instruction concerning the use of the appliance in a safe way and understand the hazards involved. Cleaning and maintenance shall not be undertaken by children without supervision.
2. Children should be supervised to ensure that they do not play with the appliance.
3. An all-pole disconnection switch must be incorporated into the fixed wiring, in accordance with local wiring rules.



4.  Do not dispose of electrical appliances as unsorted municipal waste, use separate collection facilities. Contact your local government for information regarding the collection systems available. If electrical appliances are disposed of in landfills or dumps, hazardous substances can leak into the ground water and get into the food chain, damaging your health and well-being.
5. The structure to which the fan is to be mounted must be capable of supporting a weight of 15 kg.
6. The fan should be mounted so that the blades are at least 2.3 m above the floor.
7. This fan is suitable for indoor and alfresco areas where the fan is fully undercover with a minimum of 2 walls. This fan is not waterproof. When installed in an alfresco area, the ceiling fan must be positioned in a location protected from water, wind, dust and salt. Exposure to these elements will void the warranty. Mounting the fan in a situation where it is subject to water or moisture is dangerous and may increase the risk of damage, injury or electrical shock.
8. Must be assembled and installed by a licensed electrician.



9. **WARNING:** If unusual wobbling or oscillating movement is observed, immediately stop using the ceiling fan and contact the manufacturer, its service agent or suitably qualified persons.
10. The replacement of parts of the safety suspension system device shall be performed by the manufacturer, its service agent or suitably qualified persons.
11. The fixing means for attachment to the ceiling such as hooks or other devices shall be fixed with a sufficient strength to withstand 4 times the weight of the ceiling fan; that the mounting of the suspension system shall be performed by the manufacturer, its service agent or suitably qualified persons.



This fan is suitable for indoor and alfresco areas where the fan is fully undercover with a minimum of 2 walls. This fan is not waterproof. When installed in an alfresco area, the ceiling fan must be positioned in a location protected from water, wind, dust and salt. Exposure to these elements will void the warranty. Mounting the fan in a situation where it is subject to water or moisture is dangerous.

PARTS LIST

- Unpack your ceiling fan carefully. Remove all parts and hardware.
- Lay out all the components on a smooth surface and make sure there are no components missing before assembling. If parts are missing, return the complete product to the place of purchase for inspection or replacement.
- Check whether the ceiling fan has been damaged during transport. Do not operate/install any product which appears damaged in any way. Return the complete product to the place of purchase for inspection, repair or replacement.
- Examine all parts, you should have the following:

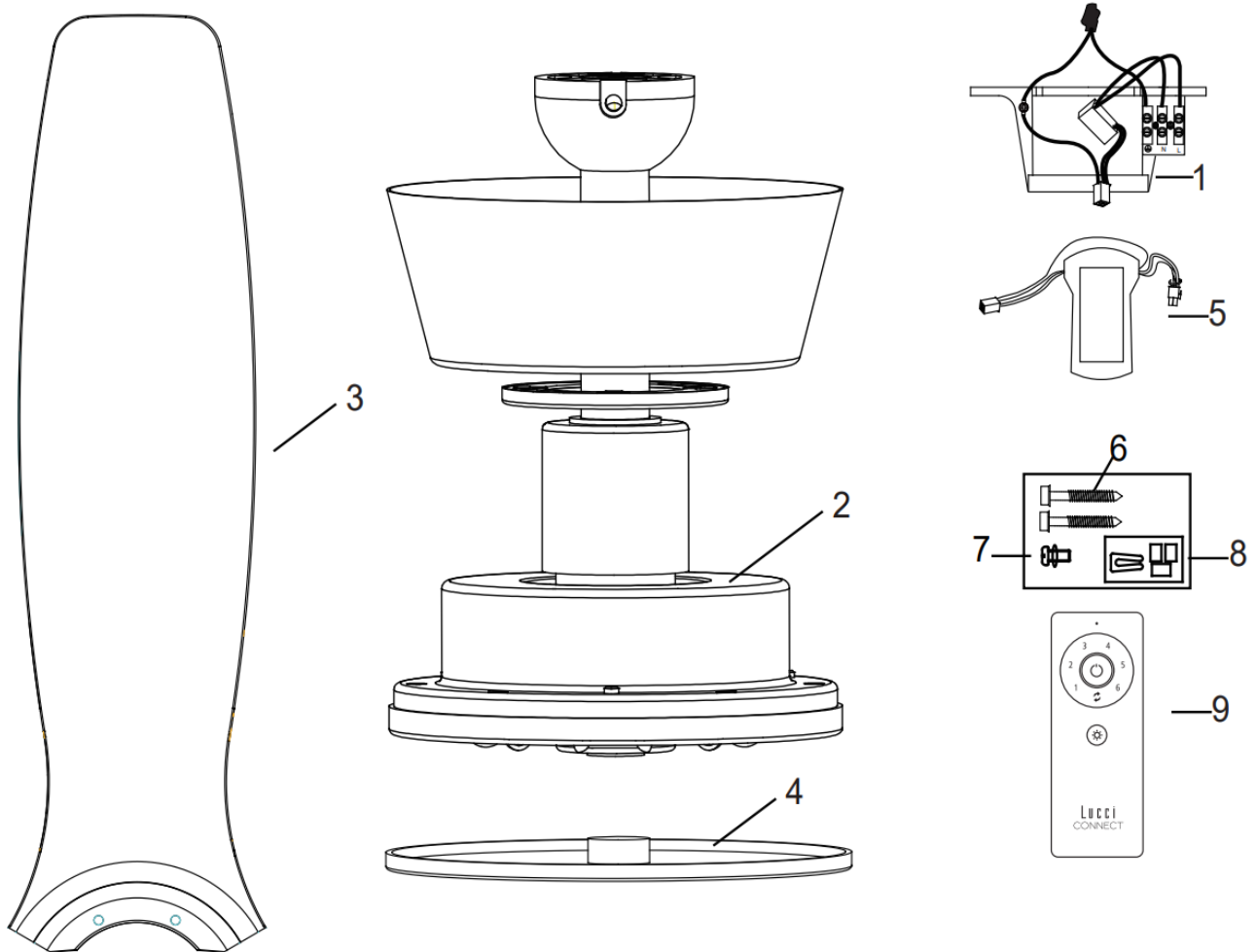


Fig. 1

1	Mounting bracket x 1	6	Mounting screws x 2
2	Fan assembly x 1	7	Spare blade screw x 1
3	Blades x 3	8	Balancing kit x 1
4	Bottom cover x 1	9	Remote x 1
5	Fan control unit x1		



INSTALLING THE FAN

TOOLS REQUIRED:

- Phillips / flat head screwdriver
- Pair of pliers
- Adjustable spanner
- Step ladder
- Wire cutter
- Wiring, supply cable as required by local provincial and national wiring codes and regulations

INSTALLING THE MOUNTING BRACKET

- The ceiling fan must be installed in a location so that the blades are spaced 300mm from the tip of the blade to the nearest objects or walls.
- Install the hanging bracket to the ceiling joist or structure that is capable of carrying a load of at least 15 kg, with two long screws provided. Ensure at least 30mm of the screw is threaded into the support. (Fig. 2)

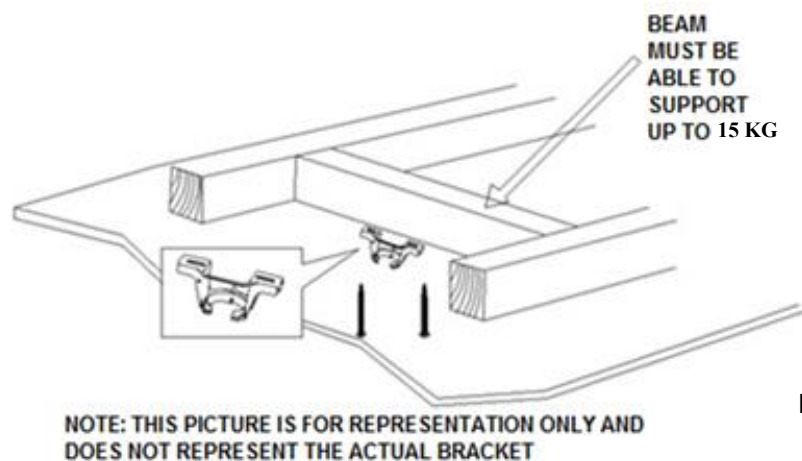


Fig. 2

NOTE: The bracket screws provided are for use with wooden structures only. For structures other than wood, the appropriate screw type **MUST** be used. Ensure the screws used are suitable for the mounting surface and the surrounding environment.

ANGLED CEILING INSTALLATION

This fan hanging system supports a maximum 11degree angled ceiling installation. (Fig. 3)

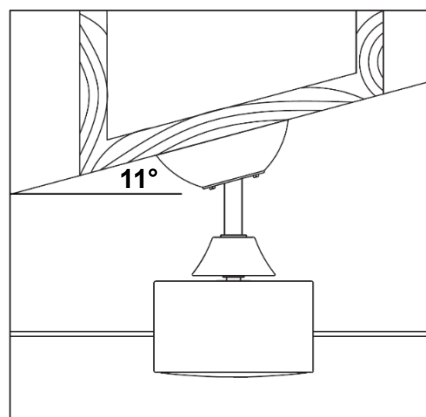


Fig. 3



INSTALLATION OF BLADE (Fig. 4)

1. Before installing the blades, remove the blade screws from the top of the fan motor assembly.
2. Align the 2 holes on the blade with the 2 holes on the rotating member of the fan motor assembly.
3. Use the 2 blade screws from step 1, to secure the blade onto the fan motor assembly.

Ensure all screws are tightened evenly to reduce the chance of warping or unbalancing. Take care not to over tighten the screws, as this can damage the blades.

4. Repeat the same process for the other blades.

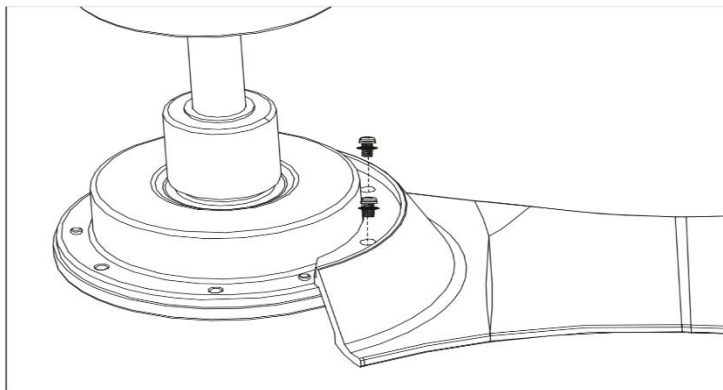


Fig.4

INSTALLATION OF BOTTOM COVER (Fig. 5)

- Install the bottom cover to the fan assembly then secure it by turning clockwise.

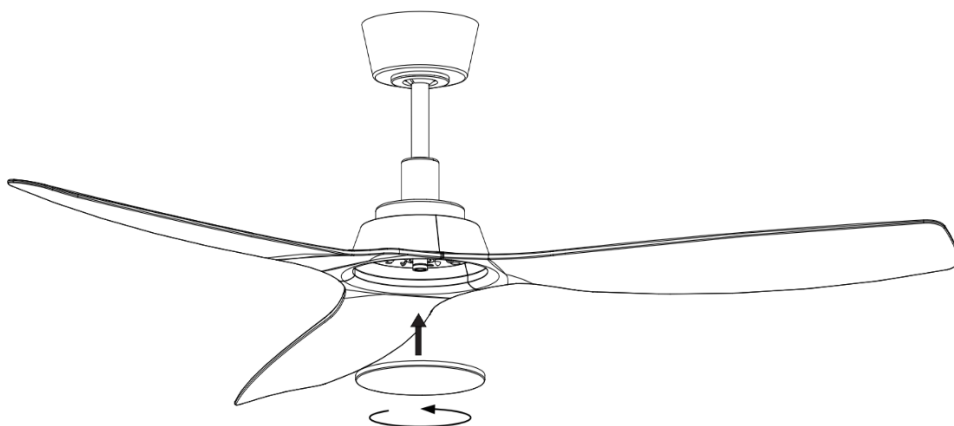


Fig. 5

HANGING THE FAN

Lift the fan assembly onto the mounting bracket. Ensure the key slot (A) of the hanger ball is positioned on the key pin (B) of the mounting bracket (C) to prevent the fan from rotating when in operation. (Fig. 6)

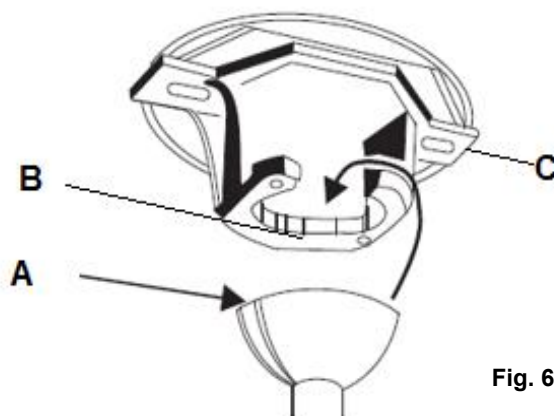


Fig. 6



ELECTRICAL WIRING DIAGRAM THE FAN

PREPARE AND COMPLETE THE ELECTRICAL WIRING --- WIRING DIAGRAM (FIG. 7)

WARNING: FOR YOUR SAFETY ALL ELECTRICAL CONNECTIONS MUST BE UNDERTAKEN BY A LICENSED ELECTRICIAN.

NOTE: AN ADDITIONAL ALL POLE DISCONNECTION SWITCH MUST BE INCLUDED IN THE FIXED WIRING.

NOTE: IF THERE ARE TWO OR MORE DC CEILING FANS INSTALLED IN THE ONE LOCATION, AN ISOLATION SWITCH IS REQUIRED FOR EACH CEILING FAN. THIS IS REQUIRED WHEN PROGRAMMING THE REMOTE AND RECEIVER TO PAIR TOGETHER.

From mains supply to mounting bracket terminal block: (Fig. 7)

1. Connect the live supply wire to the “L” terminal of the terminal block on the mounting bracket.
2. Connect the neutral supply wire to “N” terminal of the terminal block on the mounting bracket.
3. Connect earth wire to the earth terminal of the terminal block on the mounting bracket.

From mounting bracket to receiver and motor : (Fig. 7)

Connect the supply wiring quick connector from the mounting bracket to the input quick connector of the fan control unit. (Fig. 7)

Connect the output wires quick connector of fan control unit to the input wires quick connector of the fan assembly. (Fig. 7)

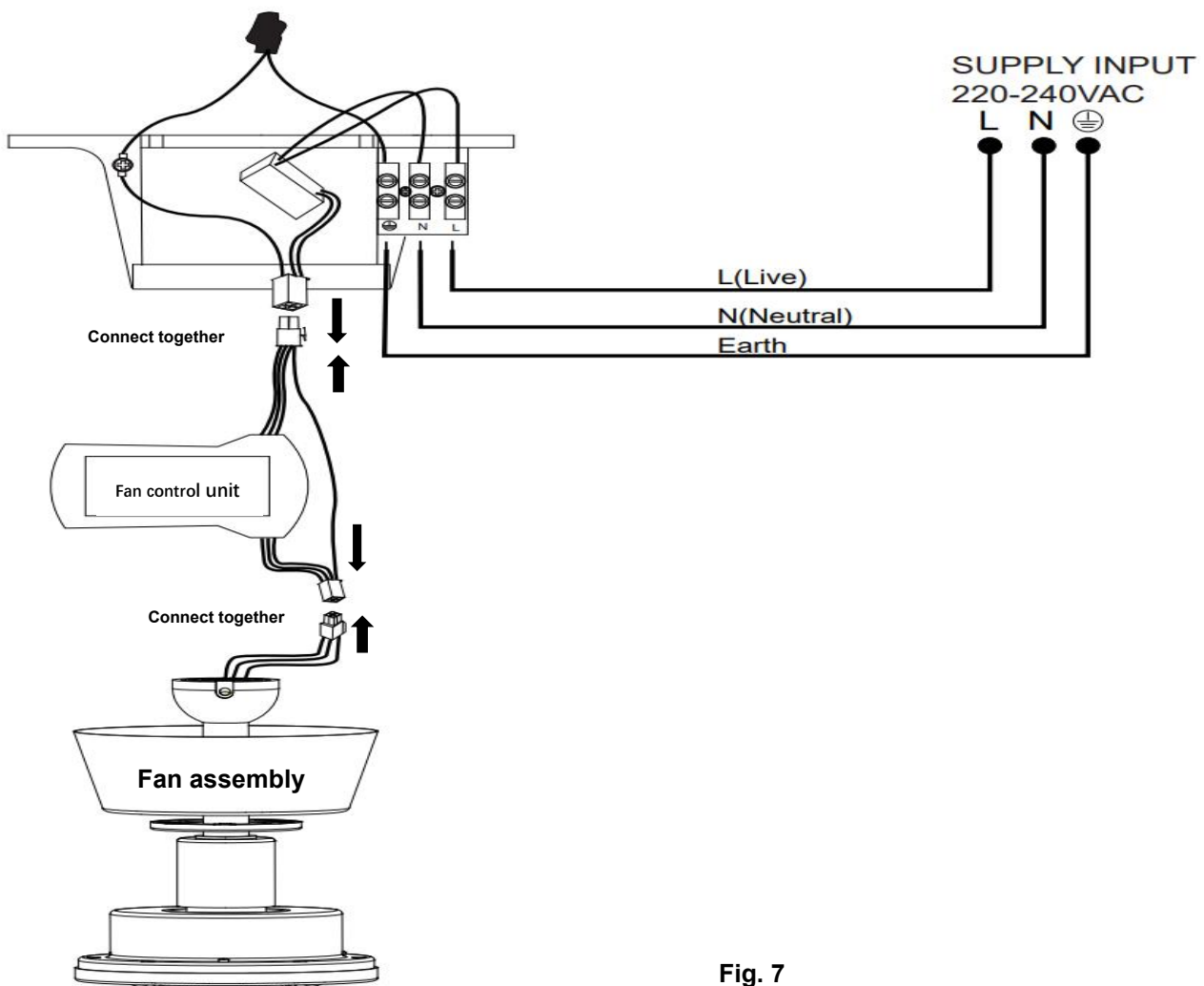


Fig. 7



Carefully insert the receiver above the hanger ball in the remainder spacing in the mounting bracket. Take care not to damage or loosen any of the wiring. (Fig. 8).

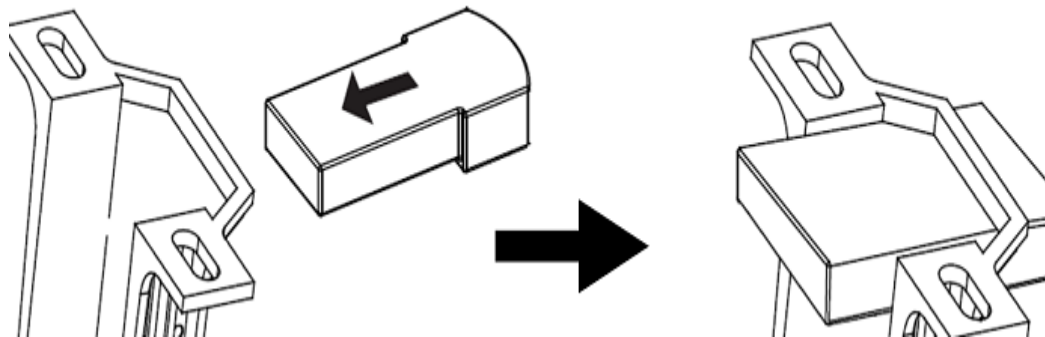


Fig. 8

FINISHING THE INSTALLATION

NOTE: Ensure the earth wiring is secure and correct, by performing an earthing continuity test from the fan's accessible metal body back to the earth terminal at the terminal block on the mounting bracket.

INSTALLATION OF THE CANOPY (Fig. 9)

1. Loosen the 2 screws at the bottom of the mounting bracket.
2. Slide the canopy up to the mounting bracket and align the key holes on the canopy with the screws on the mounting bracket. Turn the canopy until it locks into place with the narrow section of the key holes and secure it by tightening the two screws. Avoid damaging the electrical wiring prepared previously.
3. Slide the canopy cover up to the canopy.

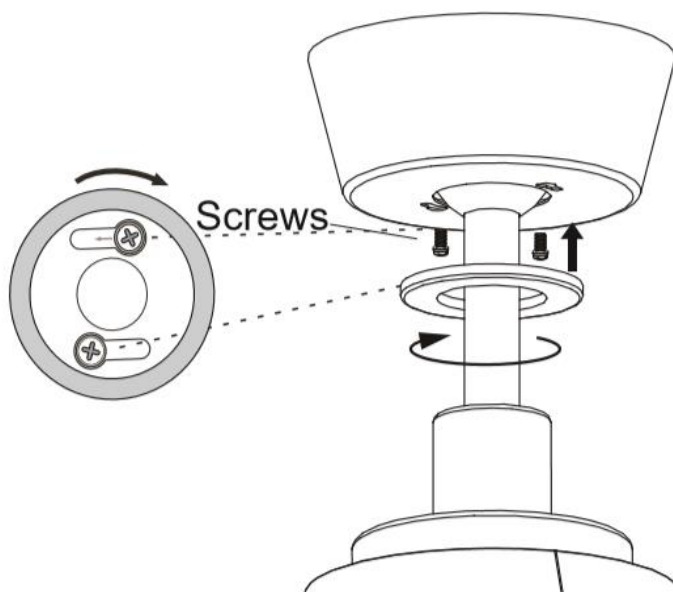


Fig. 9



INSTALLATION OF THE REMOTE CONTROL HOLDER (Fig. 10)

1. Locate a suitable wall to fix the remote control holder with the 2 screws. (Fig. 10a).
2. Slide the remote into the holder. (Fig. 10b)

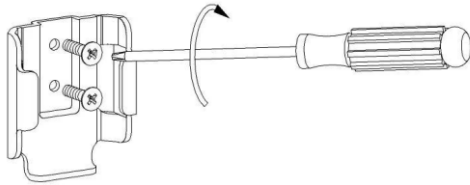


Fig. 10a

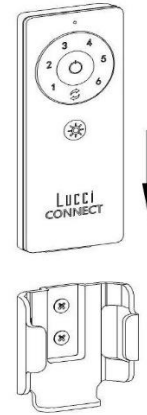


Fig. 10b

USING YOUR CEILING FAN

- NOTE: The remote and receiver will need to be paired after the installation of the ceiling fan.**
- NOTE: When two or more ceiling fans are installed in one location, please refer to the instruction on the next page.**

BATTERY INSTALLATION (Fig.11)

1. Loosen the screw from the battery cover.
2. Install the CR2032 button battery into the compartment. Ensure the battery is inserted with the correct polarity.
3. Install the battery cover back onto the remote and secure with the screw.

Install the 3V CR2032 DC battery in the compartment. Please make sure the polarity of the battery is correct. (Fig. 11)

Please make sure the polarity of the battery is correct.

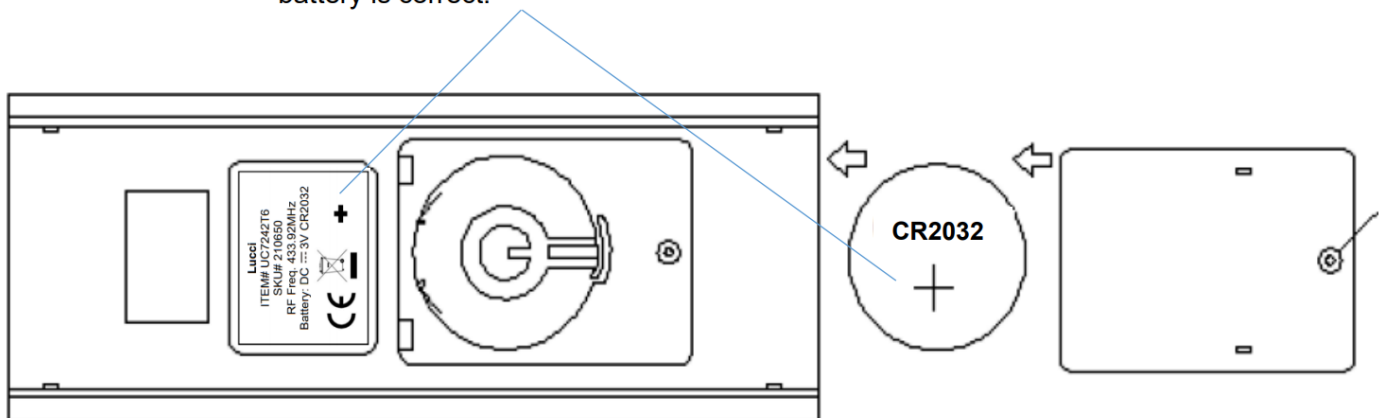


Fig. 11



PAIRING REMOTE & RECEIVER – WHEN 1 DC CEILING FAN IS INSTALLED IN ONE LOCATION

NOTE: Ensure that you have installed a single pole disconnection switch in the fixed wiring for the fan.

NOTE: Ensure power to the receiver is ON prior to pairing the remote with the receiver.

- Turn OFF the mains supply to the fan by on/off wall switch.
- Install the 3V CR2032 DC battery into the remote. Please make sure the polarity of the battery is correct.
- Turn ON the power to the receiver.
- Press and hold the “⏻” button on the remote for 3-5 seconds within 30 seconds of switching the power ON to the receiver of the ceiling fan. during the process, the indication light will flash slowly.
- Turn ON the fan and change the speed of the ceiling fan via the remote to check the operation and successful pairing.
- If pairing has been unsuccessful, repeat these set of steps again.

PAIRING REMOTE & RECEIVER – WHEN 2 OR MORE DC CEILING FANS ARE INSTALLED IN ONE LOCATION

When two or more fans are located near each other, you may want to have the remote/receiver for each fan set to a different code, so that the operation of one fan does not affect the operation of the other fan/s.

NOTE: Ensure that you have installed a single pole disconnection switch in the fixed wiring for each fan.

NOTE: Ensure power to the receiver is ON prior to pairing the remote with the receiver.

Remote / Receiver pairing for Ceiling fan 1:

- Turn OFF the mains supply to the receivers of both ceiling fans 1 and 2.
- Install the 3V CR2032 DC battery in the compartment. Please make sure the polarity of the battery is correct. (Fig.11)
- Turn on the power to receiver 1. Keep the power OFF to receiver 2. (Each ceiling fan must have its own isolation switch, so that only the ceiling fan that needs to be paired with the remote will be ON).
- Press and hold the “⏻” button of **remote 1** for 3-5 seconds within 30 seconds of switching the power ON to the receiver of ceiling fan 1. during the process, the indication light will flash slowly.
- Turn ON and change the speed of the ceiling fan 1 by the remote to check the operation and successful pairing.
- If pairing has been unsuccessful, repeat these set of steps again.

Remote / Receiver pairing for Ceiling fan 2:

- Turn off the mains supply to the receivers of both ceiling fans 1 and 2.
- Install the 3V CR2032 DC battery in the compartment. Please make sure the polarity of the battery is correct. (Fig.11)
- Turn on the power to receiver 2. Keep the power OFF to receiver 1. (Each ceiling fan must have its own isolation switch, so that only the ceiling fan that needs to be paired with the remote will be ON).



- Press and hold the “⏻” button of **remote 2** for 3-5 seconds within 30 seconds of switching the power ON to the receiver of ceiling fan 2.
during the process, the indication light will flash slowly.
- Turn ON and change the speed of ceiling fan 2 by the remote to check the operation and successful pairing.
- If pairing has been unsuccessful, repeat these set of steps again

RESET TO DEFAULT:

If you like to reset your remote to be compatible to all receiver, please press the “⏻” button for 15 seconds, during the process the indication light will flash rapidly.

REMOTE CONTROL BUTTONS:

Before you start using the remote, take the time to read through this section and get familiar with the button and function of each button (Fig.12)

1 - LED Indicator

The red LED indicator on the top of receiver will flash when the buttons are active.

2 - FAN OFF BUTTON:

Press the button to turn the fan off.

3 - FAN SPEED CONTROL BUTTON:

There are 6 available speeds. “1” button is for the lowest speed, and “6” button is for the fastest speed.

NOTE: when you turn on the fan for the first time or switch the main power to the controller, you need to start the fan on high “6” speed first and then choose a lower speed. A 5-10 seconds is required to allow the DC fan to respond to the remote each speed or fan direction selections.

4 - REVERSE FUNCTION BUTTON:

Press the button to activate the reverse running function. The fan must be operating to activate the reverse function.

5 - LIGHT CONTROL BUTTON: (the Moto Fan have not light)

Press the button to turn the light ON/OFF.

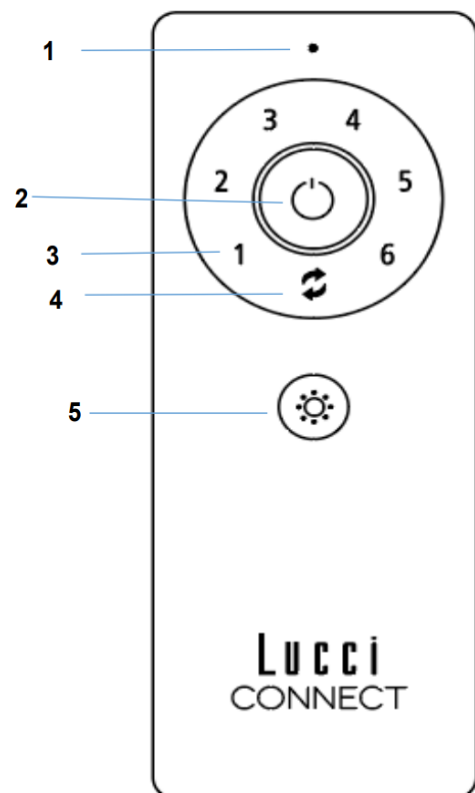


Fig. 12



REPAIRING THE REMOTE & RECEIVER PAIRING – WHEN 1 CEILING FAN IS INSTALLED

- If the remote and receiver lose control after installation or during use, the pairing of the remote and the receiver must be repaired.
- Below are the operating symptoms and the steps to repair the pairing of the remote and receiver.

Symptoms:

- Loss of control - Fan is only running at high speed after installation
- Loss of control - No reverse function after installation
- Loss of control - Remote cannot communicate with the receiver

Repairing Steps:

- Switch OFF the main power to the ceiling fan for 30 seconds.
- Switch ON the main power of the ceiling fan. Follow the same process as described in the 'Pairing remote & receiver' section to repair the pairing.
- Turn on and select the different speed of the ceiling fan to check the operation of the fan.

AFTER INSTALLATION

NOTE: Ceiling fans tend to move during operation due to the fact that they are mounted on a rubber grommet. If the fan was mounted rigidly to the ceiling it would cause excessive vibration. Movement of a few centimetres is quite acceptable and DOES NOT suggest any problem.

TO REDUCE THE FAN WOBBLE: Please check that all screws which fix the mounting bracket and down rod are secure.

BALANCING KIT: A balancing kit is provided to balance the ceiling fan on initial installation. Please refer to the instruction on how to use the balancing kit. The balancing kit can be used to assist re-balancing should the ceiling fan become un-balanced again. Store your balancing kit away after installation for future use if required.

NOISE:

When it is quiet (especially at night) you may hear occasional small noises. Slight power fluctuations and frequency signals superimposed in the electricity for off-peak hot water control, may cause a change in fan motor noise. This is normal. Please allow a 24-hour "settling-in" period, most noises associated with a new fan disappear during this time.

The manufacturer's warranty covers actual faults that may develop and NOT minor complaints such as hearing the motor run – All electric motors are audible to some extent.

CARE & CLEANING

NOTE: Always turn OFF the power at the mains switch before performing any maintenance or attempting to clean your fan.

- Every 6 months periodic cleaning of your ceiling fan is the only maintenance required. Use a soft brush or lint free cloth to avoid scratching the paint finish. Please turn off electricity power when you do so.
- Do not soak or immerse your ceiling fan in the water or other liquids. It could damage the motor or the blades and create the possibility of an electrical shock.



- Ensure that the fan does not come in contact with any organic solvents or cleaners.
- To clean the fan blade, wipe with only a damp clean cloth with NO organic solvents or cleaners.
- The motor has a permanently lubricated ball bearing so there is no need to oil.

SAFETY PRECAUTIONS FOR BATTERY

- **WARNING** – Keep new and used batteries away from children.
- **CAUTION** – Do not ingest battery—Chemical burn hazard.
- Always use 3V CR2032 DC battery type with this ceiling fan remote controller.
- Ensure the batteries are inserted with the correct polarity.
- To prevent false operation during battery insertion or replacement, this ceiling fan must be disconnected from the supply mains.
- Remove batteries from the product when not in use for long periods of time.
- Batteries must be removed from the remote transmitter before it is discarded.
- Dispose of exhausted batteries immediately and safely (so they cannot be retrieved by children). Batteries can still be dangerous. Contact your local council to safely dispose of the battery.
- Regularly check the product and make sure the battery box lid is correctly secured. If the battery compartment does not close securely, stop using the product and keep it away from children.
- If you think batteries might have been swallowed or placed inside any part of the body, seek immediate medical attention. If you suspect your child has swallowed or inserted a button battery, call the emergency number of your country if you are in Europe for fast, expert advice.
- Battery Leaks: Battery contains chemicals and should be treated as any chemical would. Take precautions when handling leaked battery chemicals. Battery chemicals should not be placed near the eyes or ingested. call the emergency number of your country if you are in Europe for fast, expert advice.

TECHNICAL INFORMATION

Fan	52" DC fan - MOTO
Fan Models	LD-MOTO-52 / SKU# 210650 , 210651 , 210652 , 210653
Rated Voltage	220-240V~ 50Hz
Rated Wattage (Motor)	30W
Rated wattage (Lamp)	N/A
Battery for remote	3V CR2032 (Not Included)
Weight	3.7kg
Canopy Dimensions	H:50mm Dia:146mm

WARRANTY INFORMATION

IN EUROPE – If you are a European customer please contact the retail outlet where the fan was purchased for warranty service.



This fan is suitable for indoor and alfresco areas where the fan is fully undercover with a minimum of 2 walls. This fan is not waterproof. When installed in an alfresco area, the ceiling fan must be positioned in a location protected from water, wind, dust and salt. Exposure to these elements will void the warranty. Mounting the fan in a situation where it is subject to water or moisture is dangerous.

D

VIELEN DANK FÜR IHREN KAUF

Vielen Dank, dass Sie sich für einen der neuesten energiesparenden Deckenventilatoren entschieden haben. Dieser Ventilator läuft mit Gleichstrom. Dadurch ist er äußerst energieeffizient, während gleichzeitig die Luftbewegung mit hohem Volumen und der geräuscharme Betrieb erhalten bleiben.

Energieeinsparung – Der Gleichstrommotor ist die neueste Technologie im Ventilatordesign. Sein hocheffizienter Motor spart bis zu 65 % mehr Energie als Deckenventilatoren mit herkömmlichen Wechselstrommotoren.

Geräuscharmer Betrieb – Dieser Gleichstrom-Ventilatormotor wurde mit stabilisiertem Strom programmiert, wodurch das Motorgeräusch effizient reduziert wird.


Niedrige Betriebstemperatur – Die Gleichstromleistung wird effektiv verwaltet, wodurch die Motorbetriebstemperatur auf weniger als 50 °C sinkt. Dies führt zu einem viel kühleren Motor als ein Standard-Wechselstromventilator und erhöht die Lebensdauer des Motors.

Fernbedienung mit 6 Stufen – Normale Wechselstrom-Deckenventilatoren haben normalerweise nur 3 Stufen, dieser Gleichstromventilator wird mit einer Fernbedienung mit 6 Stufen ausgeliefert, wodurch eine größere Auswahl an Komfortstufen vorhanden ist.

SICHERHEITSVORKEHRUNGEN

1. Dieses Gerät kann von Kindern ab 8 Jahren sowie Personen mit eingeschränkten physischen, sensorischen oder geistigen Fähigkeiten oder Mangel an Erfahrung und Wissen im Umgang mit dem Gerät verwendet werden, wenn sie beaufsichtigt oder bezüglich des sicheren Gebrauchs unterwiesen wurden und die daraus resultierenden Gefahren verstanden haben. Die Reinigung und Wartung dürfen nicht durch Kinder ohne Aufsicht erfolgen.
2. Kinder müssen beaufsichtigt werden, um sicherzustellen, dass sie nicht mit dem Gerät spielen.
3. In die feste Verkabelung muss ein allpoliger Trennschalter gemäß den örtlichen Verkabelungsvorschriften eingebaut werden.



4.  Entsorgen Sie elektrische Geräte nicht als unsortierten Siedlungsabfall, nutzen Sie separate Sammelstellen. Wenden Sie sich an Ihre Gemeindeverwaltung, um Informationen über die verfügbaren Sammelsysteme zu erhalten. Wenn Elektrogeräte auf Deponien entsorgt werden, können gefährliche Stoffe in das Grundwasser eindringen und in die Nahrungskette gelangen, was Ihrer Gesundheit und Ihrem Wohlbefinden schadet.
5. Die Struktur, an der der Ventilator montiert werden soll, muss ein Gewicht von 15 kg tragen können.
6. Der Ventilator sollte so montiert werden, dass sich die Flügel mindestens 2,3 m über dem Boden befinden.
7. Dieser Ventilator ist für Innen- und Außenbereiche geeignet, sofern er geschützt – vollständig von einem Dach bedeckt und durch mindestens zwei Wände geschützt – betrieben wird. Dieser Ventilator ist nicht wasserfest. Im Freien muss der Deckenventilator an einem Ort installiert werden, der vor Wasser, Wind,



Staub und Salz geschützt ist. Andernfalls erlischt die Garantie. Die Montage des Ventilators unter Bedingungen, unter denen er Wasser oder Feuchtigkeit ausgesetzt ist, ist gefährlich und kann das Risiko von Schäden, Verletzungen oder Stromschlägen erhöhen.

8. Das Produkt muss von einem qualifizierten Elektriker zusammengebaut installiert werden.
9. **WARNUNG:** Bei ungewöhnlichen Unwucht- oder oszillierenden Bewegungen ist der Deckenventilator sofort außer Betrieb zu nehmen und der Hersteller, sein Servicepartner oder entsprechend qualifizierte Personen zu kontaktieren.
10. Der Austausch von Teilen der Sicherheitsaufhängung ist vom Hersteller, seinem Servicepartner oder entsprechend qualifizierten Personen durchzuführen.
11. Die Befestigungsmittel zur Befestigung an der Decke, wie z. B. Haken oder andere Vorrichtungen, sind mit einer ausreichenden Festigkeit zu befestigen, um dem 4-fachen Gewicht des Deckenventilators standzuhalten; die Montage des Aufhängungssystems muss vom Hersteller, seinem Servicepartner oder entsprechend qualifizierten Personen durchgeführt werden.



This fan is suitable for indoor and alfresco areas where the fan is fully undercover with a minimum of 2 walls. This fan is not waterproof. When installed in an alfresco area, the ceiling fan must be positioned in a location protected from water, wind, dust and salt. Exposure to these elements will void the warranty. Mounting the fan in a situation where it is subject to water or moisture is dangerous.

TEILELISTE

- Packen Sie Ihren Deckenventilator vorsichtig aus. Entfernen Sie alle Teile und Beschläge.
- Breiten Sie alle Komponenten auf einer glatten Fläche aus und vergewissern Sie sich vor der Montage, dass keine Komponenten fehlen. Falls Teile fehlen, bringen Sie das komplette Produkt zwecks Überprüfung oder Austausch zum Einkaufsort zurück.
- Prüfen Sie, ob der Deckenventilator während des Transports beschädigt wurde. Benutzen/Installieren Sie kein Produkt, das in irgendeiner Weise beschädigt zu sein scheint. Bringen Sie das komplette Produkt zwecks Überprüfung, Reparatur oder Austausch zum Einkaufsort zurück.
- Überprüfen Sie alle Teile. Sie sollten Folgendes haben:

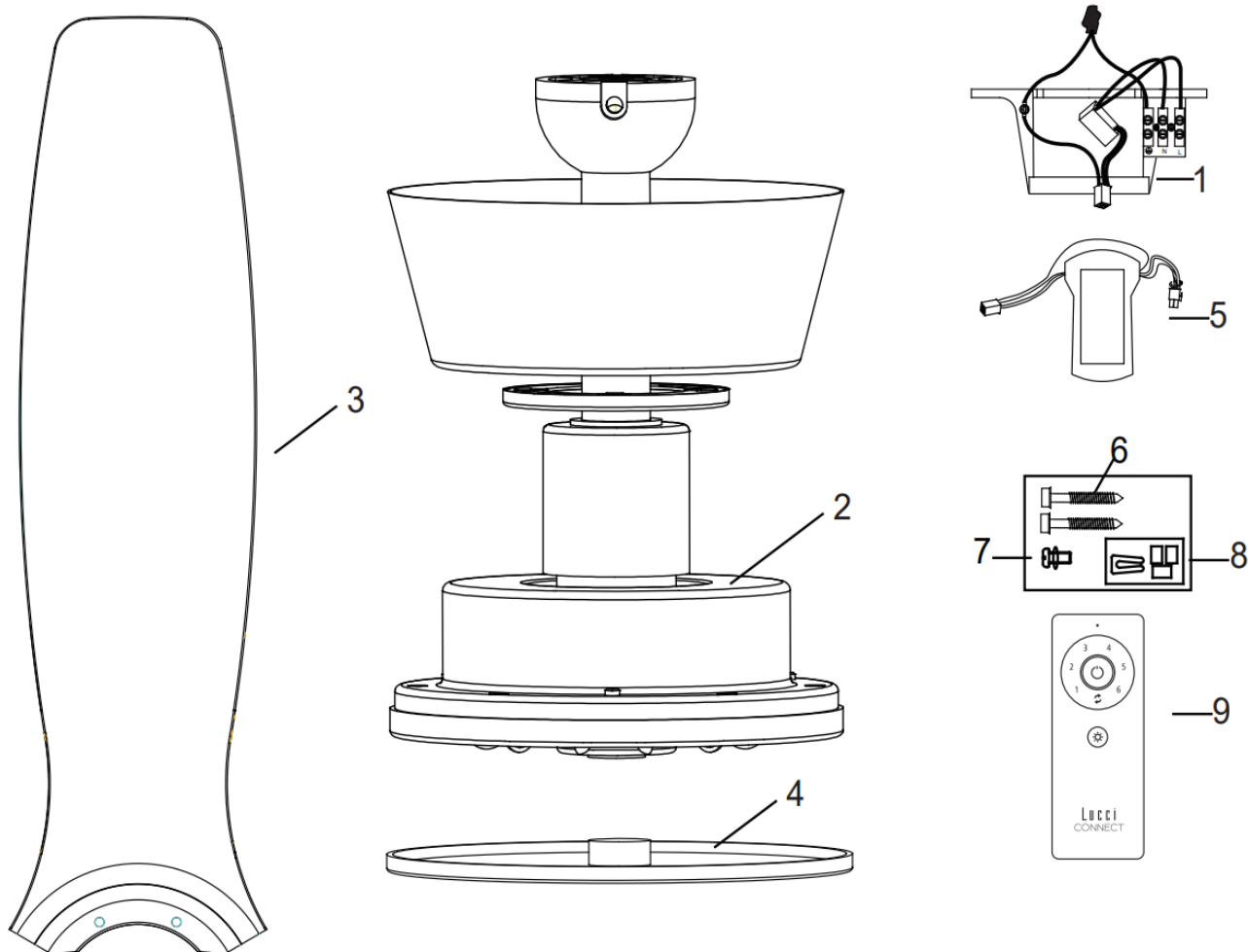


Abb.

1	1 x Halterung	6	2 x Montageschrauben
2	1 Ventilatorbaugruppe	7	1 zusätzliche Ventilatorflügelschraube
3	3 Ventialtorflügel	8	Gewichteset zur Auswuchtung x 1
4	1 x Untere Abdeckung	9	1 Fernsteuerung
5	1 Steuereinheit für den Ventilator		



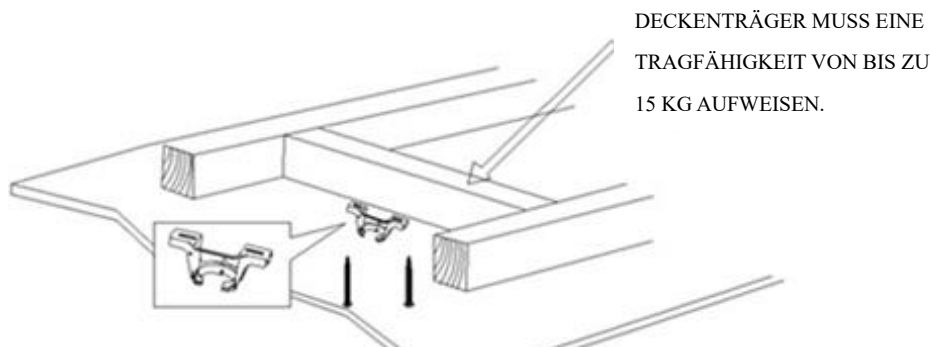
MONTAGE DES VENTILATORS

BENÖTIGTE WERKZEUGE:

- Kreuzschlitz-/ Flachkopf-Schraubendreher
- Zange
- Einstellbarer Schraubenschlüssel
- Trittleiter
- Seitenschneider
- Verkabelung, Versorgungskabel gemäß den örtlichen und nationalen Verkabelungsvorschriften und -bestimmungen

MONTAGE DER HALTERUNG

- Der Deckenventilator muss mit einem Abstand von 300 mm von der Flügelspitze bis zum nächsten Objekt oder den Wänden installiert werden.
- Fixieren Sie mithilfe der zwei mitgelieferten langen Schrauben die Halterung mit dem Baldachin an einem Deckenbalken oder einem Deckenträger, der mindestens eine Last von 15 kg tragen kann. Stellen Sie sicher, dass mindestens 30 mm der Schraube in die Halterung eingeschraubt sind. (Abb. 2)



HINWEIS: DIESES BILD DIEN T NUR ZUR ERKLÄRUNG UND ZEIGT NICHT DIE TATSÄCHLICHE HALTERUNG.

Abb. 2

HINWEIS: Die mitgelieferten Befestigungsschrauben sind nur für Holzkonstruktionen geeignet. Für andere Konstruktionen als Holz MUSS der entsprechende Schraubentyp verwendet werden. Stellen Sie sicher, dass die verwendeten Schrauben für die Montagefläche und die Umgebung geeignet sind.

MONTAGE AN EINER DACHSCHRÄGE

Dieses Ventilator-Aufhängungssystem unterstützt die Installation des Ventilators an einer Schräge von maximal 11 Grad. (Abb. 3)

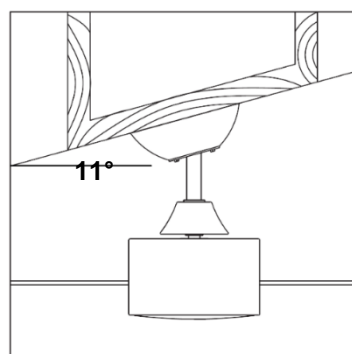


Abb. 3



MONTAGE DES VENTILATORFLÜGELS (Abb. 4)

1. Entfernen Sie die Flügelschrauben von der Oberseite der Ventilatormotoreinheit, bevor Sie die Flügel anbringen.
2. Richten Sie die zwei Löcher am Flügel an den zwei Löchern am Drehkörper der Ventilatormotoreinheit aus.
3. Befestigen Sie den Ventilatorflügel mit den 2 Ventilatorflügelschrauben aus Schritt 1 an der Motoreinheit. Stellen Sie sicher, dass alle Schrauben gleichmäßig angezogen sind, um das Risiko zu verringern, dass der Ventilator sich verzieht oder aus dem Gleichgewicht gerät. Achten Sie darauf, die Schrauben nicht übermäßig fest anzuziehen, da die Flügel sonst beschädigt werden könnten.
4. Wiederholen Sie den Vorgang mit den restlichen vier Rotorblättern.

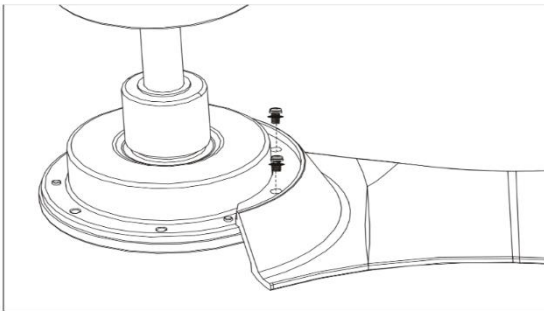


Abb. 4

MONTAGE DER UNTEREN ABDECKUNG (Abb. 5)

- Setzen Sie die untere Abdeckung auf und drehen Sie sie im Uhrzeigersinn, um sie zu befestigen.

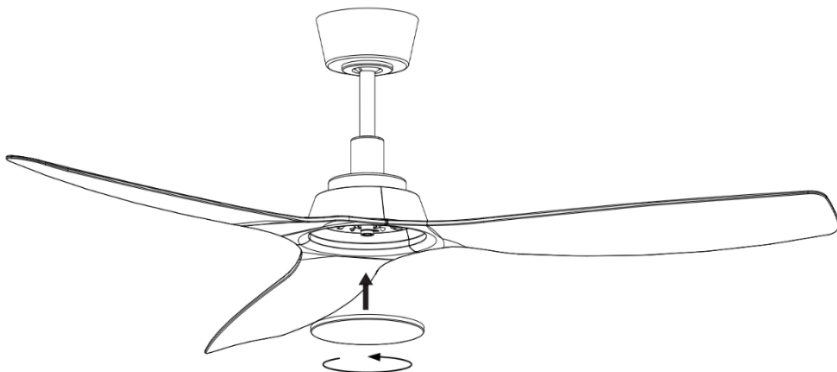


Abb. 5

AUFHÄNGEN DES VENTILATORS

Setzen Sie den kompletten Ventilator in die Halterung ein. Die Sicherungsnut (A) der Kugelaufhängung muss in den Anschlag (B) der Halterung (C) greifen, um ein Verdrehen des Ventilators im Betrieb zu verhindern. (Abb. 6)

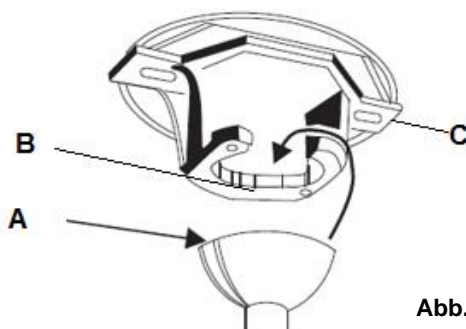


Abb. 6



BLOCKSCHALTBILD DES VENTILATORS**VORBEREITUNG UND FERTIGSTELLUNG DER ELEKTRISCHEN VERKABELUNG ---
VERKABELUNGSDIAGRAMM (Abb.) 7)**

WARNUNG: ZUR EIGENEN SICHERHEIT SOLLTEN ALLE ELEKTRISCHEN ANSCHLÜSSE VON EINEM GEPRÜFTEN ELEKTRIKER VORGENOMMEN WERDEN.

HINWEIS: IN DER FESTVERDRAHTUNG SOLLTE EIN ZUSÄTZLICHER TRENNSCHALTER FÜR ALLE PHASEN VORGESEHEN WERDEN.

HINWEIS: WENN AN EINEM ORT MEHRERE DECKENVENTILATOREN MIT WECHSELSTROMANTRIEB ANGESCHLOSSEN SIND, IST FÜR JEDEN VENTILATOR EIN TRENNSCHALTER NOTWENDIG. ZUR KOPPELUNG ZWISCHEN FERNBEDIENUNG UND EMPFÄNGER IST DIES NOTWENDIG.

Von der Netzversorgung zur Klemmleiste an der Montagehalterung: (Abb. 7)

1. Verbinden Sie den Plusleiter der Stromversorgung mit der Klemme „L“ der Lüsterklemme an der Halterung.
2. Verbinden Sie den Nullleiter der Stromversorgung mit der Klemme „N“ der Lüsterklemme an der Halterung.
3. Verbinden Sie den Schutzleiter mit der Klemme „“ der Lüsterklemme an der Halterung.

Von der Montagehalterung zum Empfänger und Motor: (Abb. 7)

Verbinden Sie den Schnellanschluss der Spannungszuleitung von der Montagehalterung mit dem Schnellanschlusseingang der Ventilatorsteuerungseinheit. **(Abb. 7)**

Verbinden Sie den Schnellanschluss der Ausgangsleitungen der Ventilatorsteuerungseinheit mit den Schnellanschlüssen der Eingangsleitungen der Ventilatorbaugruppe. **(Abb. 7)**



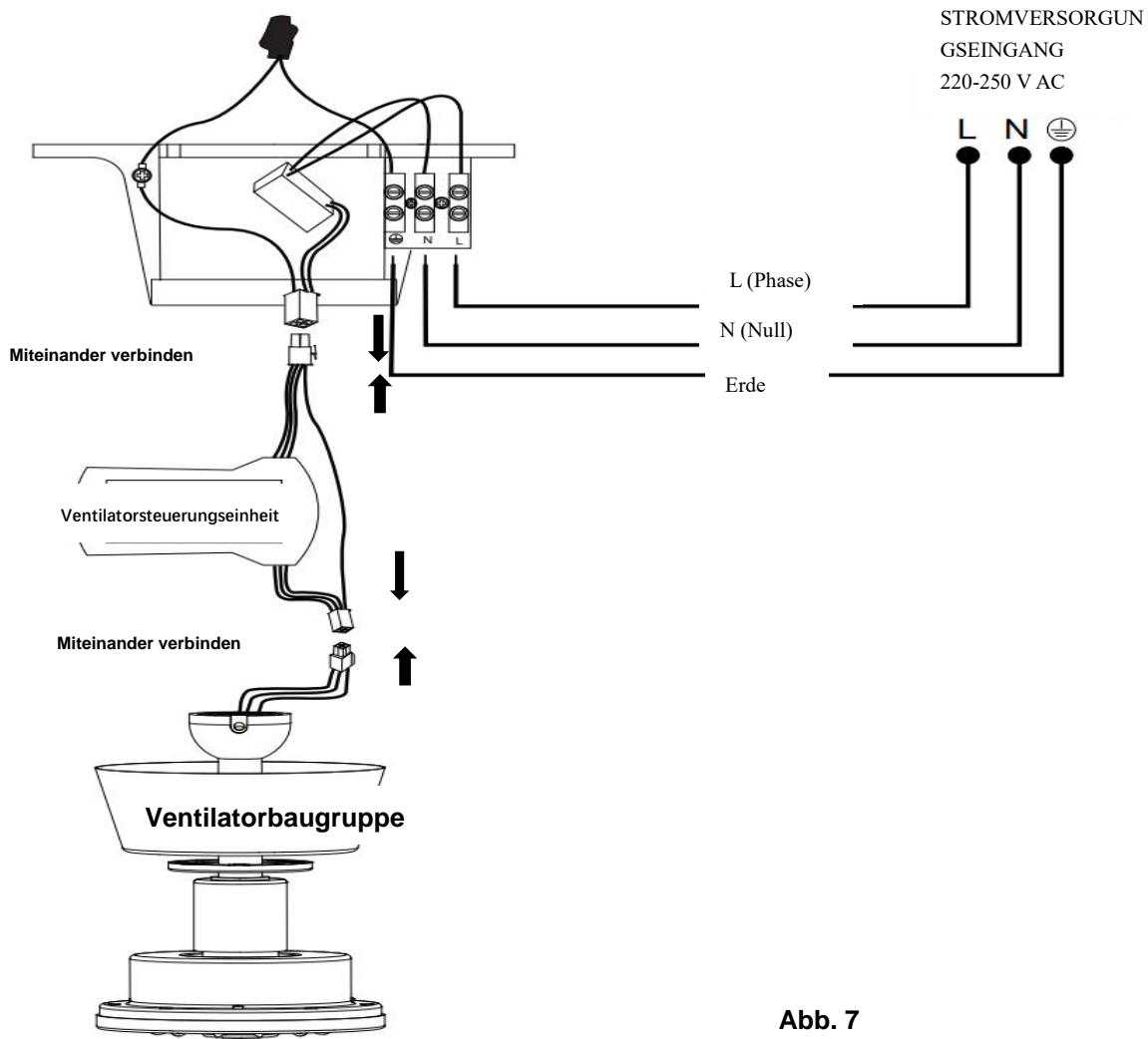


Abb. 7

Stecken Sie den Empfänger vorsichtig über der Kugelaufhängung in den Zwischenraum in der Montagehalterung. Achten Sie darauf, keines der Kabel zu beschädigen oder zu lösen. (Abb. 8)

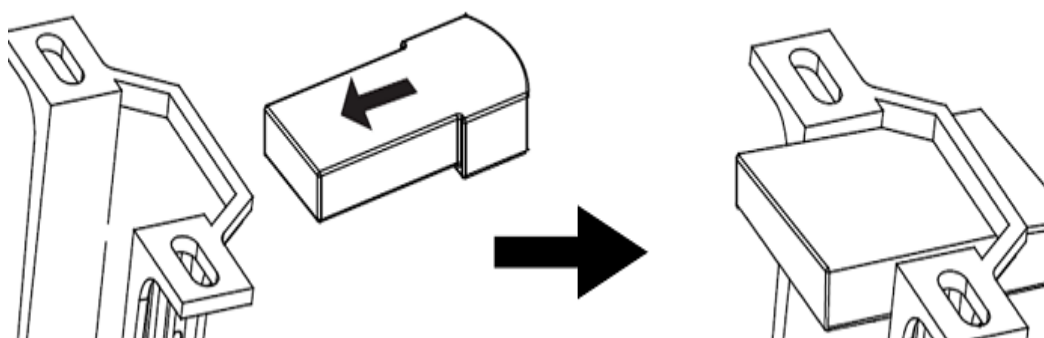


Abb. 8



This fan is suitable for indoor and alfresco areas where the fan is fully undercover with a minimum of 2 walls. This fan is not waterproof. When installed in an alfresco area, the ceiling fan must be positioned in a location protected from water, wind, dust and salt. Exposure to these elements will void the warranty. Mounting the fan in a situation where it is subject to water or moisture is dangerous.

ABSCHLUSS DER INSTALLATION

HINWEIS: Vergewissern Sie sich, dass die Erdungsleitung sicher und korrekt ist, indem Sie einen Erdungsdurchgangstest vom zugänglichen Metallkörper des Ventilators zurück zur Erdungsklemme an der Klemmleiste der Montagehalterung durchführen.

MONTAGE DES BALDACHINS (Abb. 9)

1. Lösen Sie die 2 Schrauben unten an der Halterung.
2. Schieben Sie den Baldachin bis zur Halterung und richten Sie die Löcher am Baldachin mit den Schrauben an der Halterung aus. Drehen Sie den Baldachin bis er im schmalen Teil der Löcher einrastet und sichern Sie sie durch Anziehen der beiden Schrauben. Vorsichtig vorgehen, damit die zuvor angeschlossenen Elektrokabel nicht beschädigt werden.
3. Schieben Sie die Baldachinabdeckung auf den Baldachin.

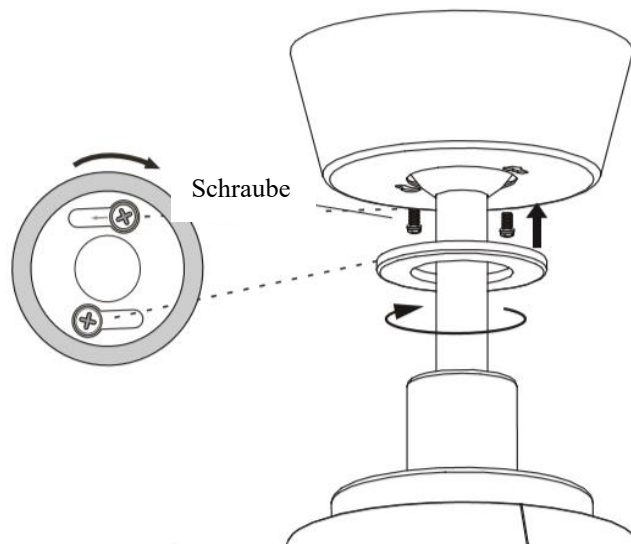


Abb. 9

MONTAGE DER FERNBEDIENUNGSHALTERUNG (Abb. 10)

1. Suchen Sie eine geeignete Wand, um dort die Wandhalterung der Fernbedienung mit 2 Schrauben anzubringen. (Abb. 10a)
2. Setzen Sie die Fernbedienung in die Halterung. (Abb. 10b)

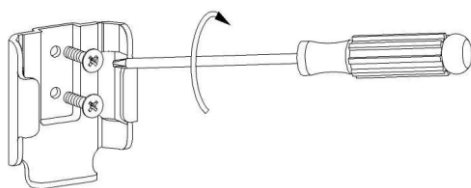


Abb. 10a



Abb. 10b



BENUTZUNG DES DECKENVENTILATORS

HINWEIS: Die Fernbedienung und der Empfänger müssen nach der Installation des Deckenventilators gekoppelt werden.

HINWEIS: Wenn zwei oder mehr Deckenventilatoren an einem Ort installiert sind, beachten Sie bitte die Anleitung auf der nächsten Seite.

EINSETZEN DER BATTERIE (Abb. 11)

1. Lösen Sie die Schraube der Batteriefachabdeckung.
2. Setzen Sie die Batterie vom Typ CR2032 in das Fach ein. Achten Sie darauf, dass die Batterie mit der richtigen Polarität eingelegt ist.
3. Bringen Sie den Batteriefachdeckel an der Fernbedienung an und sichern Sie ihn mit den Schrauben.

Setzen Sie die 3V DC-Batterie vom Typ CR2032 in das Fach ein. Bitte achten Sie auf die richtige Polarität der Batterie. (Abb. 11)

Bitte achten Sie auf die richtige Polarität der Batterie.

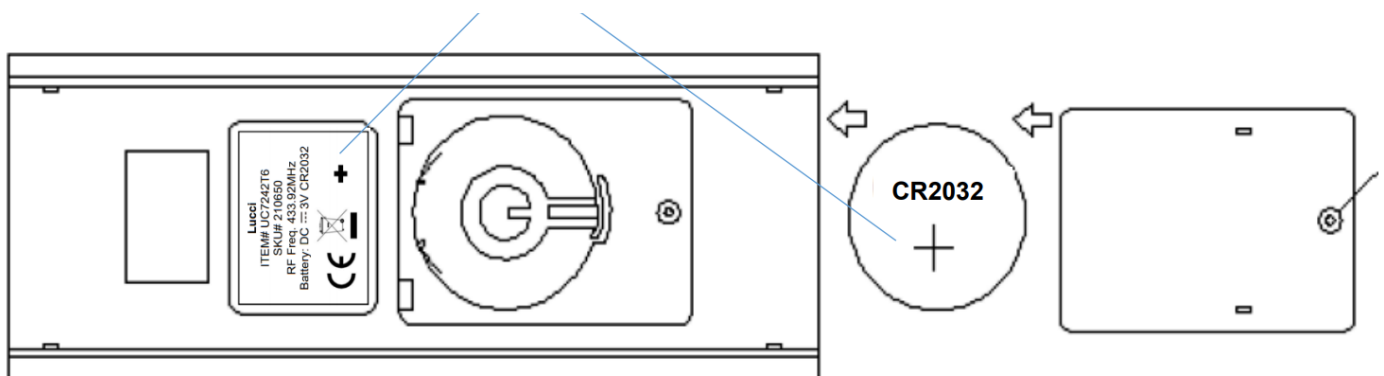


Abb. 11

KOPPELUNG VON FERNBEDIENUNG UND EMPFÄNGER - WENN EIN WECHSELSTROMDECKENVENTILATOREN AN EINEM STANDORT INSTALLIERTEN IST

HINWEIS: Stellen Sie sicher, dass ein einpoliger Trennschalter in die feste Verkabelung des Ventilators eingebaut wurde.

HINWEIS: Stellen Sie sicher, dass die Stromversorgung des Empfängers eingeschaltet ist, bevor Sie die Fernbedienung mit dem Empfänger koppeln.

- Schalten Sie die Netzstromversorgung des Ventilators mit einem Ein-/Aus-Wandschalter aus.
- Setzen Sie die 3V DC-Batterie vom Typ CR2032 in die Fernbedienung ein. Bitte achten Sie auf die richtige Polarität der Batterie.
- Schalten Sie die Stromversorgung des Empfängers ein.
- Innerhalb von 30 Sekunden nach dem Einschalten des Ventilatorempfängers auf der Fernbedienung die

Taste  3-5 Sekunden lang gedrückt halten. Während des Vorgangs blinkt die Anzeigelampe langsam.



- Schalten Sie den Deckenventilator über die Fernbedienung ein und ändern Sie die Geschwindigkeit, um ihn auf korrekte Funktion und erfolgreiche Kopplung zu testen.
- Wenn die Koppelung nicht erfolgreich war, wiederholen Sie diese Schritte erneut.


KOPPELUNG VON FERNBEDIENUNG UND EMPFÄNGER - WENN 2 ODER MEHR WECHSELSTROMDECKENVENTILATOREN AN EINEM STANDORT INSTALLIERTEN SIND

Wenn sich zwei oder mehr Ventilatoren in der Nähe voneinander befinden, kann es sinnvoll sein, die Fernbedienung/den Empfänger für jeden Ventilator auf einen anderen Code einzustellen, sodass der Betrieb eines Ventilators den Betrieb des anderen Ventilators nicht beeinträchtigt.

HINWEIS: Stellen Sie sicher, dass Sie für jeden Ventilator einen einpoligen Trennschalter in der festen Verkabelung installiert haben.

HINWEIS: Stellen Sie sicher, dass die Stromversorgung des Empfängers eingeschaltet ist, bevor Sie die Fernbedienung mit dem Empfänger koppeln.

Koppelung von Fernbedienung und Empfänger für Deckenventilator 1:

- Schalten Sie die Netzstromversorgung der Empfänger der beiden Deckenventilatoren 1 und 2 aus.
- Setzen Sie die 3V DC-Batterie vom Typ CR2032 in das Fach ein. Bitte achten Sie auf die richtige Polarität der Batterie. (Abb. 11)
- Schalten Sie die Stromversorgung von Empfänger 1 ein. Lassen Sie die Stromversorgung für Empfänger 2 ausgeschaltet. (Jeder Deckenventilator muss über einen eigenen Trennschalter verfügen, sodass nur der Deckenventilator, der mit der Fernbedienung gekoppelt werden muss, eingeschaltet ist).
- Halten Sie innerhalb von 30 Sekunden nach dem Einschalten des Empfängers von Ventilator 1 auf der Fernbedienung die Taste „“ 3-5 Sekunden lang gedrückt. Während des Vorgangs blinkt die Anzeigelampe langsam.
- Den Deckenventilator 1 über die Fernbedienung einschalten und die Geschwindigkeit umstellen, um ihn auf korrekte Funktion und erfolgreiche Kopplung zu testen.
- Wenn die Koppelung nicht erfolgreich war, wiederholen Sie diese Schritte erneut.

Koppelung von Fernbedienung/Empfänger für Deckenventilator 2:

- Schalten Sie die Netzstromversorgung der Empfänger der beiden Deckenventilatoren 1 und 2 aus.
- Setzen Sie die 3V DC-Batterie vom Typ CR2032 in das Fach ein. Bitte achten Sie auf die richtige Polarität der Batterie. (Abb. 11)
- Schalten Sie die Stromversorgung von Empfänger 2 ein. Lassen Sie die Stromversorgung für Empfänger 1 ausgeschaltet. (Jeder Deckenventilator muss über einen eigenen Trennschalter verfügen, sodass nur der Deckenventilator, der mit der Fernbedienung gekoppelt werden muss, eingeschaltet ist).
- Innerhalb von 30 Sekunden nach dem Einschalten des Empfängers von Ventilator 2 auf der


Fernbedienung 2 die Taste „“ 3-5 Sekunden lang gedrückt halten.

Während des Vorgangs blinkt die Anzeigelampe langsam.

- Den Deckenventilator 2 über die Fernbedienung einschalten und die Geschwindigkeit umstellen, um ihn auf korrekte Funktion und erfolgreiche Kopplung zu testen.
- Wenn die Koppelung nicht erfolgreich war, wiederholen Sie diese Schritte erneut.



ZURÜCKSETZEN AUF STANDARDEINSTELLUNGEN:

Wenn Sie Ihre Fernbedienung zurücksetzen möchten, sodass sie mit allen Empfängern kompatibel ist, drücken Sie die Taste  15 Sekunden lang. Während des Vorgangs blinkt die Anzeigelampe schnell.

TASTEN DER FERNBEDIENUNG:

Vor dem Benutzen der Fernbedienung sollten Sie sich etwas Zeit zum Lesen dieser Anleitung nehmen und sich mit den Tasten und deren Funktionen vertraut machen (Abb. 12).

1 – LED-Anzeige

Die rote LED-Anzeige oben auf dem Empfänger blinkt, wenn die Tasten aktiviert sind.

2 - TASTE ZUM AUSSCHALTEN DES VENTILATORS:

Diese Taste zum Ausschalten des Ventilators drücken.

3 – TASTE ZUR STEUERUNG DER VENTILATORGESCHWINDIGKEIT:

Es stehen sechs Geschwindigkeitsstufen zur Auswahl: Die Taste 1 ist für die niedrigste Geschwindigkeit und die Taste 6 für die höchste Geschwindigkeit.

HINWEIS: Beim ersten Einschalten des Ventilators oder nach dem Einschalten der Stromversorgung müssen Sie den Ventilator zuerst auf die höchste Geschwindigkeit „6“ einstellen. Danach können Sie eine niedrigere Stufe wählen. Es dauert etwa 5-10 Sekunden, bis der Wechselstromventilator auf die jeweilige Geschwindigkeitsänderung per Fernbedienung reagiert.

4 - LINKSLAUFTASTE:

Zum Umkehren der Laufrichtung diese Taste drücken. Zum Einschalten des Linkslaufs muss der Ventilator in Betrieb sein.

5 - TASTE FÜR DIE LICHTSTEUERUNG: (der Ventilator Moto hat keine Lampe.)

Drücken Sie die Taste, um das Licht ein- bzw. auszuschalten.

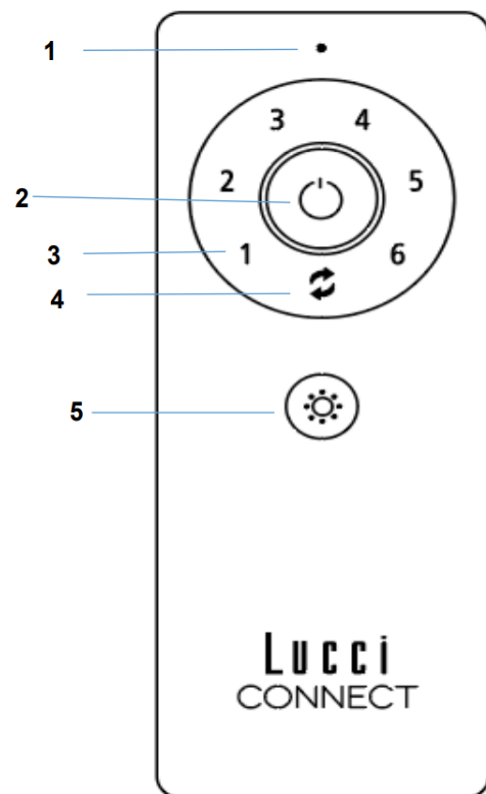


Abb. 12

REPARIEREN DER KOPPELUNG ZWISCHEN FERNBEDIENUNG UND EMPFÄNGER – WENN 1 DECKENVENTILATOR INSTALLIERT IST

- Falls nach der Installation oder während des Gebrauchs die Ansteuerung zwischen Fernbedienung und Empfänger verloren geht, müssen beide Komponenten wieder gekoppelt werden.
- Die folgenden Hinweise beschreiben Störungen während des Betriebs und Abhilfemaßnahmen zum erneuten Koppeln der Fernbedienung mit dem Empfänger.

Probleme:

- Ansteuerungsproblem – Ventilator läuft nach der Installation nur mit hoher Geschwindigkeit
- Ansteuerungsproblem – Kein Linkslauf nach der Installation



- Ansteuerungsproblem – Fernsteuerung kann nicht mit dem Empfänger kommunizieren

Reparatur Schritte:

- Den Hauptschalter am Deckenventilator 30 Sekunden lang ausschalten.
- Den Hauptschalter am Deckenventilator einschalten. Folgen Sie den gleichen Schritten wie im Abschnitt „Kopplung von Fernbedienung und Empfänger“ beschrieben, um die Kopplung zu korrigieren.
- Schalten Sie das Gerät ein und wählen Sie die andere Drehzahl des Deckenventilators, um die Funktion des Ventilators zu überprüfen.

NACH DER INSTALLATION

HINWEIS: Deckenventilatoren neigen dazu, während des Betriebs unruhig zu laufen (Pendelbewegung), da sie auf einer Gummidichtung montiert sind. Wenn der Ventilator fest an der Zimmerdecke montiert wäre, würde er übermäßige Vibrationen erzeugen. Eine Pendelbewegung von einigen Zentimetern ist völlig normal und weist NICHT auf ein Problem hin.

REDUZIEREN DER VENTILATORUNRUHE: Prüfen Sie bitte, ob alle Schrauben, die die Halterung und die Deckenstange fixieren, angezogen sind.

SET MIT AUSGLEICHSGWICHTEN: Im Lieferumfang enthalten ist ein Gewichteset zum Auswuchten des Deckenventilators bei der Erstmontage. Bitte lesen Sie die Anleitungen zur Benutzung des Gewichtesets. Sollte der Deckenventilator über das normale Maß hinaus unruhig laufen, kann er mithilfe des Gewichtesets erneut ausgewuchtet werden. Verstauen Sie Ihr Gewichteset nach der Montage für den eventuellen späteren Gebrauch.

GERÄUSCHE:

In einer ruhigen Umgebung (insbesondere nachts) hören Sie eventuell hier und da leise Geräusche. Leichte Stromschwankungen und Frequenzsignale, die zwecks Warmwasserregulierung außerhalb der Hauptlastzeiten eingeblendet werden, können das Motorgeräusch des Ventilators verändern. Dies ist normal. Bitte haben Sie Geduld. Nach einer „Einlaufzeit“ von 24 Stunden, verschwinden die meisten durch einen neuen Ventilator erzeugten Geräusche.

Die Herstellergarantie deckt reale Mängel ab, die auftreten können, jedoch KEINE geringfügigen Beanstandungen, wie zum Beispiel ein hörbar laufender Motor – alle elektrischen Motoren sind bis zu einem gewissen Maß zu hören.

PFLEGE UND REINIGUNG

HINWEIS: Schalten Sie vor der Reinigung des Ventilators die Stromversorgung immer am Hauptschalter AUS.

- Die regelmäßige halbjährliche Reinigung Ihres Deckenventilators ist die einzige Wartung, die erforderlich ist. Benutzen Sie eine weiche Bürste oder ein fusselfreies Tuch, um zu verhindern, dass die Lackierung zerkratzt wird. Bitte schalten Sie die Stromversorgung aus, wenn Sie das Gerät reinigen.
- Tauchen Sie den Deckenventilator NICHT in Wasser oder andere Flüssigkeiten ein. Dadurch könnten der Motor oder die Flügel beschädigt werden und möglicherweise ein Stromschlag verursacht werden.
- Achten Sie darauf, dass der Ventilator nicht mit organischen Lösungsmitteln oder Reinigungsmitteln in Berührung kommt.



- Wischen Sie die Flügel nur mit einem feuchten Tuch OHNE organische Lösungsmittel oder Reinigungsmittel sauber.
- Der Motor ist mit einem dauergeschmierten Kugellager versehen. Er muss also nicht geschmiert werden.

SICHERHEITSVORKEHRUNGEN FÜR BATTERIEN

- **WARNUNG** – Halten Sie neue und gebrauchte Batterien von Kindern fern.
- **VORSICHT** - Batterie nicht verschlucken – Verätzungsgefahr.
- Verwenden Sie mit dieser Deckenventilator-Fernbedienung immer eine 3V DC-Batterie vom Typ CR2032.
- Achten Sie darauf, dass die Batterien mit der richtigen Polarität eingelegt sind.
- Um Fehler beim Einsetzen oder Auswechseln der Batterien zu vermeiden, muss der Deckenventilator vom Stromnetz getrennt werden.
- Entfernen Sie die Batterien aus dem Gerät, wenn Sie es über einen längeren Zeitraum nicht benutzen.
- Die Batterien müssen aus der Fernbedienung entfernt werden, bevor sie entsorgt wird.
- Entsorgen Sie verbrauchte Batterien sofort und sicher (sodass sie von Kindern nicht gefunden werden können). Leere Batterien können weiterhin gefährlich sein. Wenden Sie sich an Ihre örtliche Gemeindeverwaltung, um die Batterie sicher zu entsorgen.
- Überprüfen Sie das Produkt regelmäßig und vergewissern Sie sich, dass der Deckel des Batteriefachs richtig befestigt ist. Wenn sich das Batteriefach nicht korrekt schließen lässt, stellen Sie den Gebrauch des Gerätes ein und halten Sie es von Kindern fern.
- Wenn Sie glauben, dass Batterien verschluckt wurden oder in einen Teil des Körpers eingeführt wurden, suchen Sie sofort einen Arzt auf. Wenn Sie den Verdacht haben, dass Ihr Kind eine Knopfzelle verschluckt hat, rufen Sie die Notrufnummer Ihres Landes an, wenn Sie sich in Europa befinden, um schnellen und fachkundigen Rat zu erhalten.
- Ausgelaufene Batterie: Die Batterie enthält Chemikalien, die wie jede andere Chemikalie behandelt werden sollte. Treffen Sie Vorsichtsmaßnahmen beim Umgang mit ausgelaufenen Batteriechemikalien. Batterieflüssigkeiten dürfen nicht in Augennähe gebracht oder verschluckt werden. Rufen Sie die Notrufnummer Ihres Landes an, wenn Sie sich in Europa befinden, um schnellen, fachkundigen Rat zu erhalten.

TECHNISCHE DATEN

Ventilator	52-Zoll-Gleichstromventilator
Ventilatormodelle	LD-MOTO-52 / SKU# 210650 , 210651 , 210652 , 210653
Nennspannung	220-240 V~ 50 Hz
Nennleistung (Motor)	30 W
Nennleistung (Lampe)	K.A.
Batterie für Fernbedienung	3V CR2032 (nicht mitgeliefert)
Gewicht	3,7 kg
Maße des Baldachins	H: 50 mm Durchmessers: 146 mm

GARANTIEINFORMATIONEN

IN EUROPA – Wenn Sie ein europäischer Kunde sind, wenden Sie sich bitte an das Geschäft, in dem der Ventilator gekauft wurde, um Garantieleistungen in Anspruch zu nehmen.



This fan is suitable for indoor and alfresco areas where the fan is fully undercover with a minimum of 2 walls. This fan is not waterproof. When installed in an alfresco area, the ceiling fan must be positioned in a location protected from water, wind, dust and salt. Exposure to these elements will void the warranty. Mounting the fan in a situation where it is subject to water or moisture is dangerous.



NOUS VOUS REMERCIONS POUR VOTRE ACHAT

Nous vous remercions d'avoir acheté le dernier des ventilateurs de plafond à économie d'énergie. Ce ventilateur fonctionne sur une alimentation CC (courant continu), ce qui lui donne l'avantage d'être très économe en énergie tout en maintenant un mouvement d'air à volume élevé et un fonctionnement silencieux.

Économie d'énergie - Le moteur à courant continu est la toute dernière technologie en matière de conception de ventilateurs. Son moteur très efficace permet d'économiser jusqu'à plus de 65 % d'énergie par rapport aux ventilateurs de plafond équipés de moteurs à courant alternatif classiques.

Fonctionnement silencieux – Ce moteur de ventilateur à courant continu est programmé avec un courant stabilisé qui réduit efficacement le bruit du moteur.

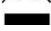
Faible température de fonctionnement - L'alimentation en courant continu est gérée efficacement, ce qui permet de réduire la température de fonctionnement du moteur à moins de 50 °C. Il en résulte un moteur bien plus froid que celui d'un ventilateur classique alimenté en courant alternatif. Cela augmente la durée de vie du moteur.

Télécommande à 6 vitesses - Les ventilateurs de plafond à courant alternatif ne comportent généralement que 3 vitesses. Ce ventilateur à courant continu est fourni avec une télécommande à 6 vitesses, ce qui offre un plus grand choix de niveaux de confort.

CONSIGNES DE SÉCURITÉ

1. Cet appareil peut être utilisé par des enfants âgés de plus de 8 ans et des personnes ayant des capacités physiques, sensorielles et mentales réduites ou un manque d'expérience et de connaissances si elles sont surveillées ou si elles ont reçu des instructions concernant l'utilisation de l'appareil en toute sécurité et si elles comprennent les dangers encourus. Le nettoyage et l'entretien ne doivent pas être effectués par des enfants sans surveillance.
2. Il convient de surveiller les enfants pour s'assurer qu'ils ne jouent pas avec l'appareil.
3. Un interrupteur de déconnexion omnipolaire doit être incorporé dans le câblage fixe, conformément aux règles de câblage locales.



4.  Ne jetez pas les appareils électriques avec les déchets municipaux non triés, utilisez des installations de collecte séparées. Contactez les autorités locales pour obtenir des informations sur les systèmes de collecte disponibles. Si les appareils électriques sont éliminés dans des décharges ou des dépotoirs, des substances dangereuses risquent de s'infiltrer dans la nappe phréatique et entrer dans la chaîne alimentaire, avec des conséquences néfastes sur votre santé et à votre bien-être.
5. La structure sur laquelle le ventilateur est fixé doit être capable de supporter un poids de 15 kg.
6. Le ventilateur doit être fixé de sorte que les pales soient à au moins 2,3 m au-dessus du sol.
7. Ce ventilateur convient aux zones intérieures et en plein air où le ventilateur doit être entièrement couvert par un minimum de 2 murs. Ce ventilateur n'est pas étanche. Lorsqu'il est installé dans une zone en plein



air, le ventilateur de plafond doit être placé dans un endroit protégé de l'eau, du vent, de la poussière et du sel. L'exposition aux éléments susmentionnés entraîne l'annulation de la garantie. Le montage du ventilateur dans une situation où il est soumis à l'eau ou à l'humidité est dangereux et peut augmenter le risque de dommages, de blessures ou d'électrocution.

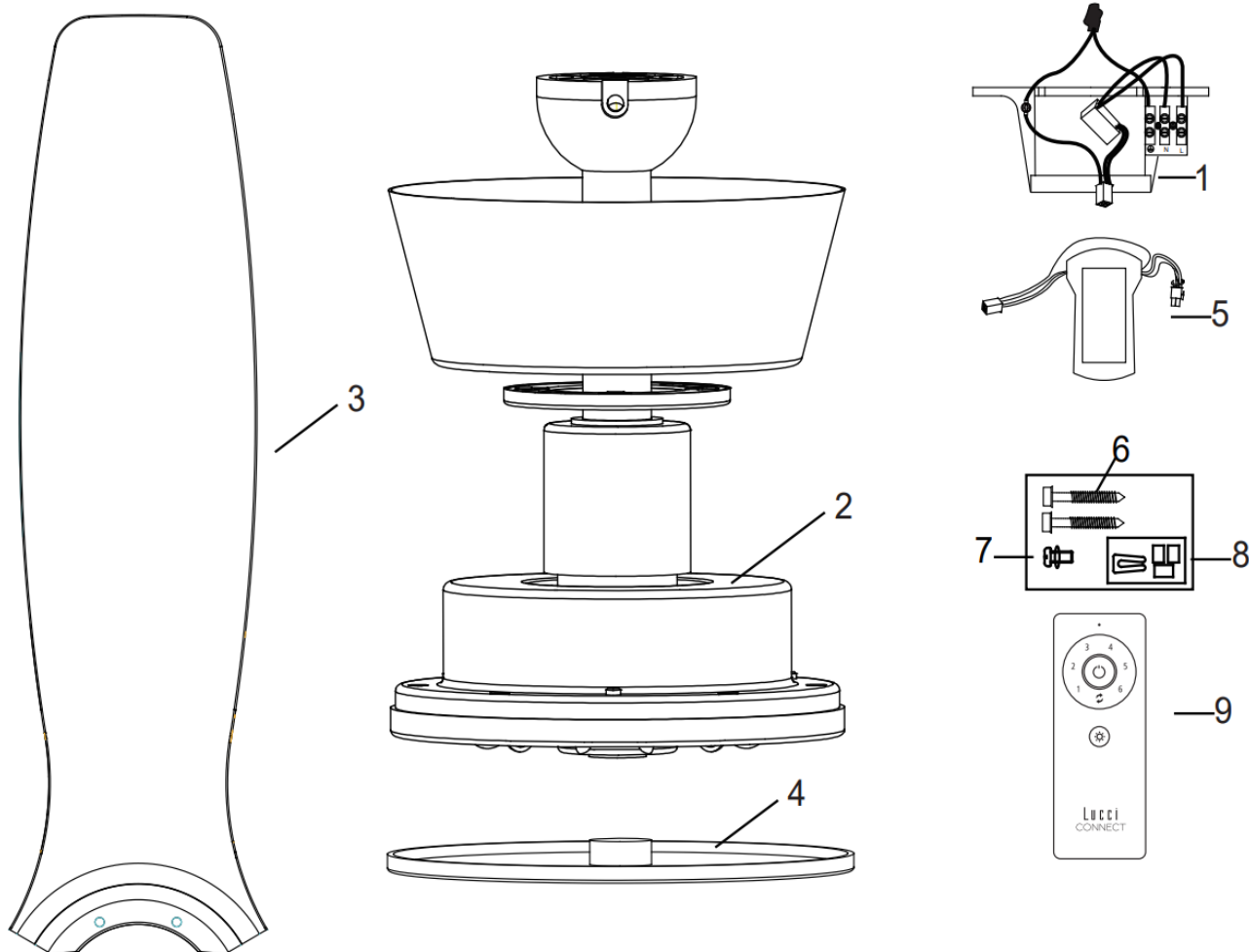
8. Ce produit doit être assemblé et installé par un électricien agréé.
9. **AVERTISSEMENT** : Si vous observez un mouvement oscillant ou un mouvement de balancement inhabituel, arrêtez immédiatement d'utiliser le ventilateur de plafond et contactez le fabricant, son agent d'entretien ou des personnes dûment qualifiées.
10. Le remplacement des pièces du dispositif de suspension de sécurité doit être effectué par le fabricant, son agent d'entretien ou des personnes dûment qualifiées.
11. Les moyens de fixation du ventilateur au plafond, tels que les crochets ou autres dispositifs, doivent être fixés avec une résistance suffisante pour supporter 4 fois le poids du ventilateur de plafond ; le montage du système de suspension doit être effectué par le fabricant, son agent d'entretien ou des personnes dûment qualifiées.



This fan is suitable for indoor and alfresco areas where the fan is fully undercover with a minimum of 2 walls. This fan is not waterproof. When installed in an alfresco area, the ceiling fan must be positioned in a location protected from water, wind, dust and salt. Exposure to these elements will void the warranty. Mounting the fan in a situation where it is subject to water or moisture is dangerous.

LISTE DES PIÈCES

- Déballez soigneusement votre ventilateur de plafond. Retirez toutes les pièces et le matériel.
- Disposez tous les éléments sur une surface lisse et assurez-vous qu'aucun élément ne manque avant de procéder à l'assemblage. Si des pièces manquent, retournez le produit complet au lieu d'achat afin qu'il soit inspecté ou remplacé.
- Vérifiez si le ventilateur de plafond a été endommagé pendant le transport. N'utilisez/n'installez pas un produit présentant des dommages de quelque nature que ce soit. Ramenez le produit dans son intégralité au point de vente afin qu'il soit inspecté, réparé ou remplacé.
- Examinez toutes les pièces, vous devez avoir les éléments suivants :



Sché

1	Support de montage x 1	6	Vis de montage x 2
2	Ventilateur x 1	7	Vis de pale de rechange x 1
3	Pales x 3	8	Kit d'équilibrage x 1
4	Cache inférieur x 1	9	Télécommande x 1
5	Unité de contrôle x 1		



INSTALLATION DU VENTILATEUR

OUTILS REQUIS :

- Tournevis cruciforme / à tête plate
- Pincés
- Clé à molette
- Escabeau
- Coupe-fil
- Câblage, câble d'alimentation selon les codes et règlements de câblage locaux, provinciaux et nationaux.

INSTALLATION DU SUPPORT DE MONTAGE

- Le ventilateur de plafond doit être installé dans un endroit où les pales seront éloignées d'au moins 300 mm de tout objet ou mur.
- Installez le support de suspension à la solive de plafond ou à une structure capable de supporter une charge d'au moins 15 kg, à l'aide des deux longues vis fournies. Veillez à ce qu'au moins 30 mm des vis soient vissés dans le support. (Schéma 2)

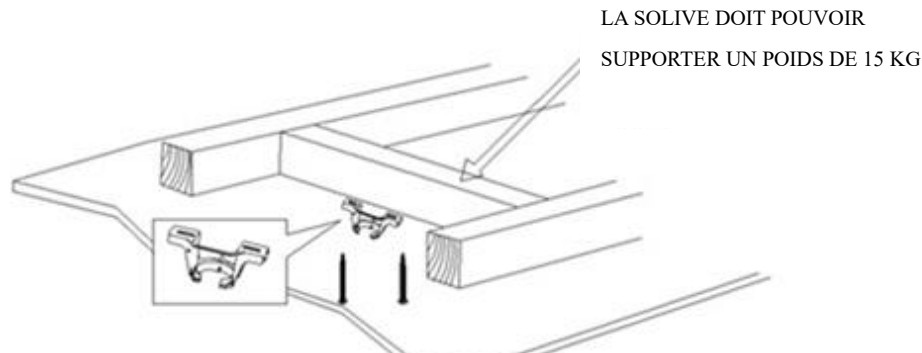


Schéma 2

REMARQUE : CE SCHÉMA N'EST FOURNI QU'À TITRE
INDICATIF ET NE REPRÉSENTE PAS LE SUPPORT RÉEL.

REMARQUE : Les vis de support fournies conviennent uniquement pour les structures en bois. Pour les structures autres que du bois, un type de vis approprié doit **IMPÉRATIVEMENT** être utilisé. Veillez à ce que les vis utilisées soient adaptées à la surface de montage et à l'environnement.

INSTALLATION SUR PLAFOND INCLINÉ

Ce système de suspension de ventilateur permet une installation sur plafond incliné de 11 degrés de pente au maximum. (Schéma 3)

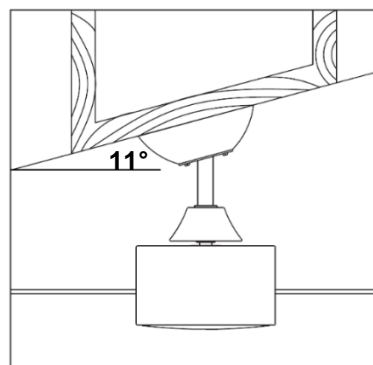


Schéma 3



INSTALLATION DE LA PALE (Schéma 4)

1. Avant de procéder à l'installation des pales, enlevez les vis des pales ainsi que les rondelles plates du dessous du moteur.
2. Alignez les 2 trous de la pale avec les 2 trous de l'élément rotatif du bloc moteur du ventilateur.
3. Utilisez les deux vis à pales de l'étape 1 pour fixer la pale sur le moteur du ventilateur.
Veillez à serrer toutes les vis uniformément afin de réduire le risque de déséquilibre et de déformation. Ne les serrez pas excessivement, car cela peut endommager les pales.
4. Répétez ces mêmes étapes pour les autres pales.

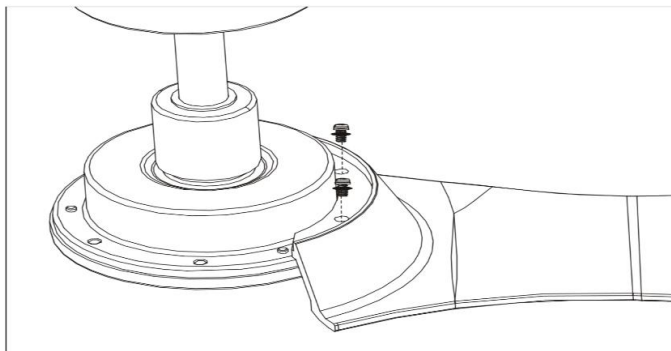


Schéma 4

INSTALLATION DU CACHE INFÉRIEUR (Schéma 5)

- Installez le cache inférieur sur le ventilateur, puis fixez-le en le tournant dans le sens des aiguilles d'une montre.

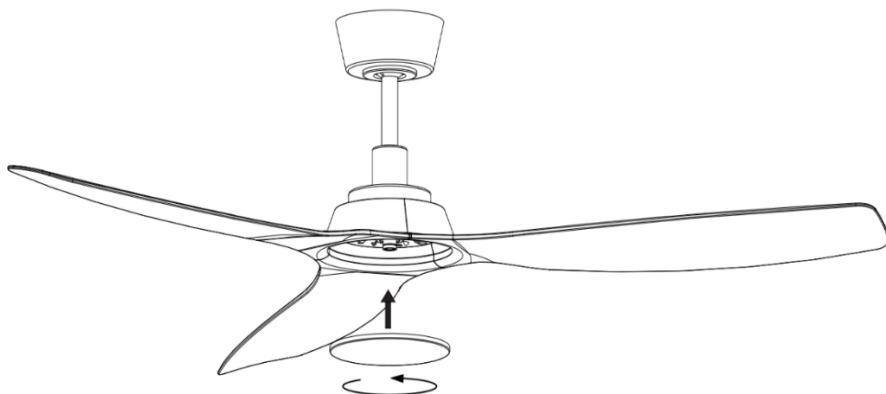


Schéma 5

SUSPENSION DU VENTILATEUR

Soulevez le ventilateur complet pour le placer sur le support de montage. Assurez-vous que l'encoche clé (A) de la rotule de la suspension est positionnée sur la goupille clé (B) du support de montage (C) pour empêcher le ventilateur de tourner lorsqu'il fonctionne. (Schéma 6)

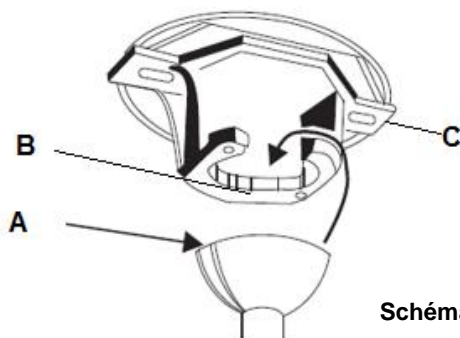


Schéma 6



SCHÉMA DE CÂBLAGE ÉLECTRIQUE DU VENTILATEUR**PRÉPARATION ET INSTALLATION DU CÂBLAGE ÉLECTRIQUE --- SCHÉMA DE CÂBLAGE (Schéma 7)**

AVERTISSEMENT : POUR VOTRE SÉCURITÉ, TOUS LES RACCORDEMENTS ÉLECTRIQUES DOIVENT ÊTRE EFFECTUÉS PAR UN ÉLECTRICIEN AGRÉÉ.

REMARQUE : UN INTERRUPTEUR DE DÉCONNEXION MULTIPOLAIRE SUPPLÉMENTAIRE DOIT ÊTRE INCLUS DANS LE CÂBLAGE FIXE.

REMARQUE : SI DEUX OU PLUSIEURS VENTILATEURS DE PLAFOND À COURANT CONTINU SONT INSTALLÉS DANS LE MÊME LIEU, UN INTERRUPTEUR D'ISOLATION EST NÉCESSAIRE POUR CHAQUE VENTILATEUR DE PLAFOND. IL EST REQUIS LORS DE LA PROGRAMMATION DE LA TÉLÉCOMMANDE ET DU RÉCEPTEUR EN VUE DE LEUR APPARIEMENT.

De l'alimentation secteur au bornier du support de montage : (Schéma 7)

1. Connectez le fil d'alimentation sous tension à la borne L du bornier du support de montage.
2. Connectez le fil d'alimentation neutre à la borne N du bornier du support de montage
3. Connectez le fil de terre à la borne de terre du bornier sur le support de montage.

Du support de montage au récepteur de la télécommande et au moteur : (Schéma 7)

Raccordez le connecteur rapide du support de montage au connecteur rapide d'entrée du récepteur du moteur. **(Schéma 7)**

Reliez le connecteur rapide des fils de sortie de l'unité de contrôle du ventilateur au connecteur rapide des fils d'entrée de l'assemblage du ventilateur. **(Schéma 7)**



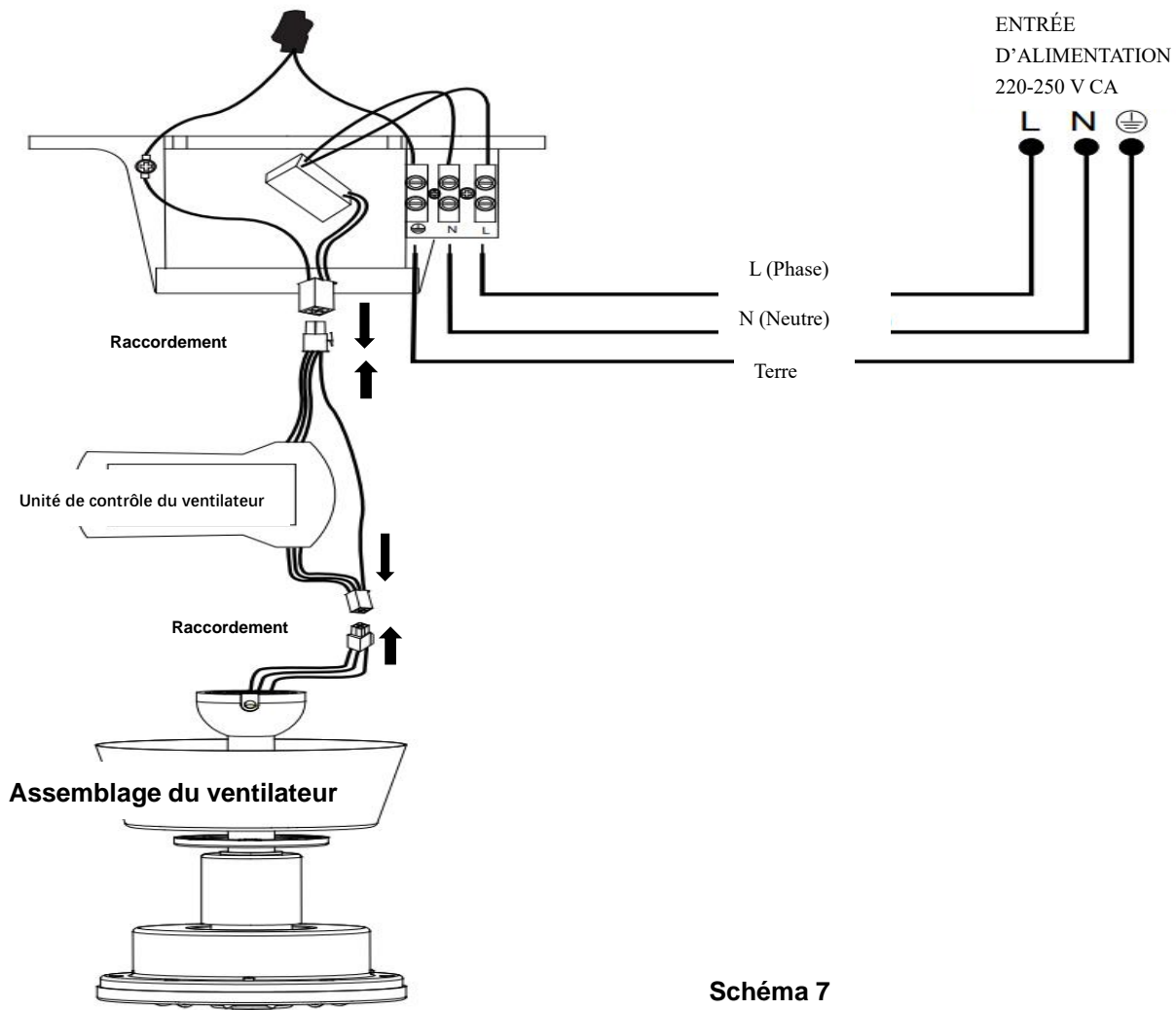


Schéma 7

Insérez avec précaution le récepteur de la télécommande au-dessus de la boule de suspension dans l'espace restant du support de montage. Veillez à ne pas endommager ou desserrer le câblage. (Schéma 8).

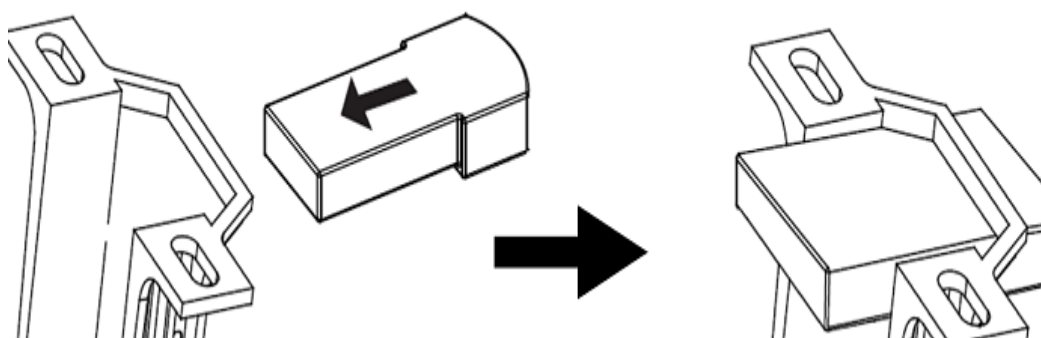


Schéma 8



This fan is suitable for indoor and alfresco areas where the fan is fully undercover with a minimum of 2 walls. This fan is not waterproof. When installed in an alfresco area, the ceiling fan must be positioned in a location protected from water, wind, dust and salt. Exposure to these elements will void the warranty. Mounting the fan in a situation where it is subject to water or moisture is dangerous.

FINALISATION DE L'INSTALLATION

REMARQUE : Veillez à ce que la mise à la terre soit réalisée de manière correcte et sécurisée en réalisant un test de continuité de mise à la terre du corps métallique accessible du ventilateur à la borne de terre du bornier du support de fixation.

INSTALLATION DU CACHE (Schéma 9)

1. Dévissez les 2 vis situées sur la partie inférieure du support de montage.
2. Faites passer le cache sur le support de montage et alignez les encoches du cache avec les vis sur le support de montage. Tournez le cache jusqu'à ce qu'il se verrouille en place avec la partie étroite des encoches et fixez-le en serrant les deux vis. Évitez d'endommager le câblage électrique préparé précédemment.
3. Faites glisser le couvercle sur le cache.

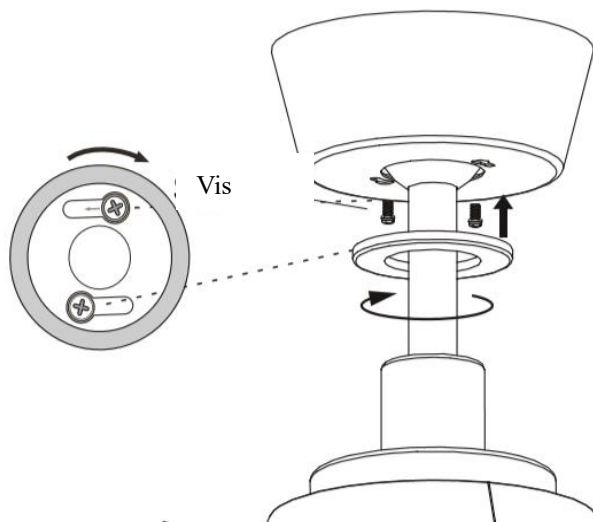


Schéma 9

INSTALLATION DU SUPPORT DE LA TÉLÉCOMMANDE (Schéma 10)

1. Cherchez un mur adéquat pour fixer le support mural de la télécommande avec les 2 vis. (Schéma 10a).
2. Emboîtez la télécommande dans le support. (Schéma 10b)

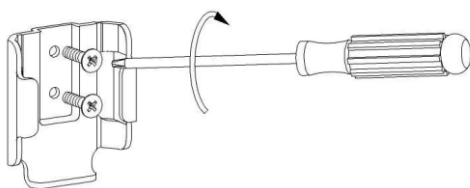


Schéma 10a



Schéma 10b



UTILISATION DE VOTRE VENTILATEUR DE PLAFOND

REMARQUE : La télécommande et le récepteur devront être appariés après l'installation du ventilateur de plafond.

REMARQUE : Si deux ou plusieurs ventilateurs de plafond sont installés au même endroit, veuillez vous référer aux instructions de la page suivante.

INSTALLATION DE LA BATTERIE (Schéma 11)

1. Dévissez la vis du couvercle du compartiment de la pile.
2. Insérez la pile de type CR2032 dans le compartiment. Assurez-vous que la pile est insérée dans le sens correct des polarités.
3. Remettez le couvercle du compartiment de la pile en place sur la télécommande et fixez-le avec la vis.

Insérez la pile de type 3V CR2032 CC dans le compartiment. Assurez-vous que le sens de polarité des piles est correct. (Schéma 11)

Assurez-vous que le sens de polarité des piles est correct.

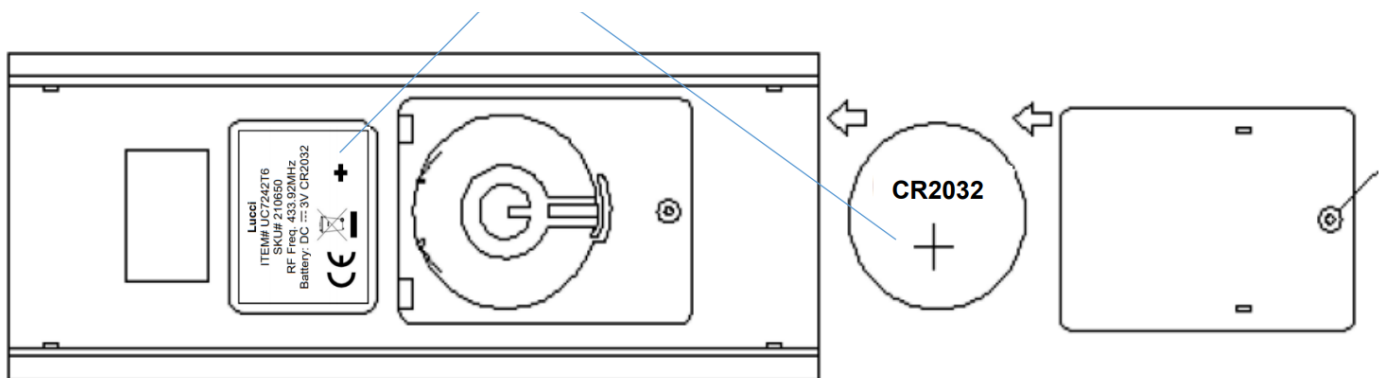



Schéma 11

APPARIEMENT DE LA TÉLÉCOMMANDE ET DU RÉCEPTEUR – 1 VENTILATEUR DE PLAFOND À COURANT CONTINU INSTALLÉ À 1 ENDROIT

REMARQUE : Assurez-vous d'avoir installé un interrupteur de déconnexion unipolaire dans le câblage fixe du ventilateur.

REMARQUE : Assurez-vous que le récepteur est sous tension avant d'apparier la télécommande avec le récepteur.

- Coupez l'alimentation électrique du ventilateur à l'aide de l'interrupteur mural marche/arrêt.
- Insérez la pile de type 3V CR2032 CC dans le compartiment. Assurez-vous que le sens de polarité des piles est correct.
- Mettez le récepteur sous tension.
- Appuyez et maintenez le bouton  de la télécommande enfoncé pendant 3 à 5 secondes dans les 30 secondes suivant la mise sous tension du récepteur du ventilateur de plafond. Pendant le processus, l'indicateur clignote lentement.



- Mettez le ventilateur en marche et modifiez la vitesse du ventilateur de plafond à l'aide de la télécommande pour vérifier le bon fonctionnement et la réussite du processus d'appariement.
- Si l'appariement a échoué, répétez ces étapes une nouvelle fois.


APPARIEMENT DE LA TÉLÉCOMMANDE ET DU RÉCEPTEUR - LORSQUE 2 OU PLUSIEURS VENTILATEURS DE PLAFOND À COURANT CONTINU SONT INSTALLÉS AU MÊME ENDROIT

Lorsque deux ou plusieurs ventilateurs sont situés à proximité l'un de l'autre, vous pouvez souhaiter que la télécommande/le récepteur de chaque ventilateur soit réglé sur un code différent, afin que le fonctionnement d'un ventilateur n'affecte pas le fonctionnement des autres.


REMARQUE : Assurez-vous d'avoir installé un interrupteur de déconnexion unipolaire dans le câblage fixe de chaque ventilateur.

REMARQUE : Assurez-vous que le récepteur est sous tension avant d'apparier la télécommande avec le récepteur.

Appariement télécommande/récepteur pour le ventilateur de plafond 1 :


- Coupez l'alimentation électrique des récepteurs des deux ventilateurs de plafond 1 et 2.
- Insérez la pile de type 3V CR2032 CC dans le compartiment. Assurez-vous que le sens de polarité des piles est correct. (Schéma 11)
- Mettez le récepteur 1 sous tension. Maintenez le récepteur 2 hors tension. (Chaque ventilateur de plafond doit avoir son propre interrupteur d'isolation, de manière à ce que seul le ventilateur de plafond qui doit être apparié avec la télécommande soit sous tension).
- Appuyez et maintenez le bouton  de la **télécommande 1** enfoncé pendant 3 à 5 secondes dans les 30 secondes qui suivent la mise sous tension du récepteur du ventilateur de plafond 1.
- Mettez en marche et modifiez la vitesse du ventilateur de plafond 1 à l'aide de la télécommande pour vérifier le fonctionnement et la réussite du processus d'appariement.
- Si l'appariement a échoué, répétez ces étapes une nouvelle fois.

Appariement télécommande/récepteur pour le ventilateur de plafond 2 :

- Coupez l'alimentation électrique des récepteurs des deux ventilateurs de plafond 1 et 2.
- Insérez la pile de type 3V CR2032 CC dans le compartiment. Assurez-vous que le sens de polarité des piles est correct. (Schéma 11)
- Mettez le récepteur 2 sous tension. Maintenez le récepteur 1 hors tension. (Chaque ventilateur de plafond doit avoir son propre interrupteur d'isolation, de manière à ce que seul le ventilateur de plafond qui doit être apparié avec la télécommande soit sous tension).
- Appuyez et maintenez le bouton  de la **télécommande 2** enfoncé pendant 3 à 5 secondes dans les 30 secondes qui suivent la mise sous tension du récepteur du ventilateur de plafond 2. Pendant le processus, l'indicateur clignote lentement.
- Mettez en marche et modifiez la vitesse du ventilateur de plafond 2 à l'aide de la télécommande pour vérifier le fonctionnement et la réussite du processus d'appariement.
- Si l'appariement a échoué, répétez ces étapes une nouvelle fois.



RÉINITIALISATION DES VALEURS PAR DÉFAUT :

Si vous souhaitez réinitialiser votre télécommande pour qu'elle soit compatible avec tous les récepteurs, veuillez appuyer sur le bouton «  » pendant 15 secondes ; pendant le processus, l'indicateur lumineux clignotera rapidement.

BOUTONS DE LA TÉLÉCOMMANDE :

Avant de commencer à utiliser la télécommande, prenez le temps de lire ce paragraphe et de vous familiariser avec les boutons et leurs fonctions (schéma 12).

1 - Indicateur LED

L'indicateur LED rouge situé sur le dessus de l'émetteur clignote lorsque les boutons sont actifs.

2 - BOUTON D'ARRÊT DU VENTILATEUR :

Appuyez sur ce bouton pour éteindre le ventilateur.

3 - BOUTON DE RÉGLAGE DE LA VITESSE DU VENTILATEUR :

Il y a 6 vitesses disponibles. Le bouton « 1 » correspond à la vitesse la plus lente et le bouton « 6 » à la vitesse la plus rapide.

REMARQUE : lorsque vous mettez le ventilateur en marche pour la première fois ou commuterez l'alimentation principale vers le contrôleur, vous devez d'abord démarrer le ventilateur en vitesse élevée « 6 » puis choisir une vitesse inférieure. Une période de 5 à 10 secondes est nécessaire pour permettre au ventilateur DC de répondre à la télécommande à chaque sélection de vitesse ou de direction du ventilateur.

4 - BOUTON DE LA FONCTION DE ROTATION INVERSE :

Appuyez sur ce bouton pour activer la fonction de rotation inverse. Le ventilateur doit être en cours de fonctionnement pour activer la fonction de rotation inverse.

5 - BOUTON DE CONTRÔLE DE L'ÉCLAIRAGE : (le ventilateur Moto n'est pas pourvu d'éclairage)

Appuyez sur ce bouton pour allumer/éteindre l'éclairage.

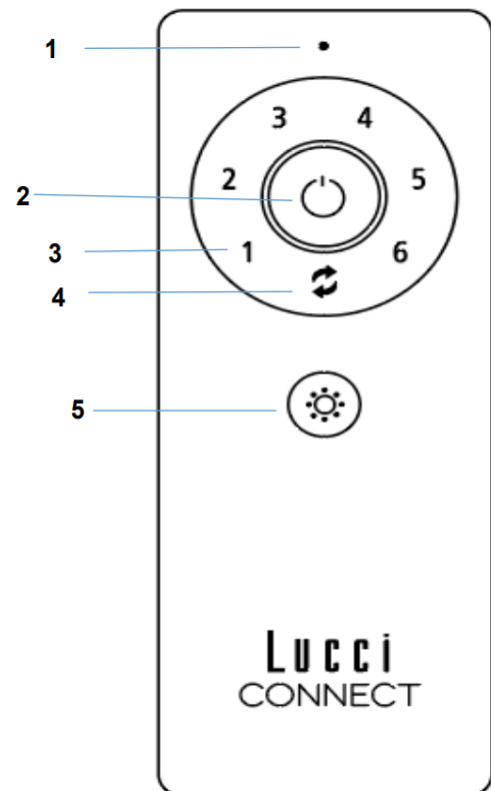


Schéma 12

RÉ-APPARIEMENT TÉLÉCOMMANDE/RÉCEPTEUR – 1 VENTILATEUR DE PLAFOND INSTALLÉ

- Si la télécommande et le récepteur perdent le contrôle après l'installation ou en cours d'usage, l'appariement de la télécommande et du récepteur doit être rétabli.
- Vous trouverez ci-dessous les symptômes des problèmes de fonctionnement et la méthode de rétablissement de l'appariement de la télécommande et du récepteur.

Symptômes :

- Perte de contrôle - Le ventilateur ne fonctionne qu'à vitesse rapide après l'installation
- Perte de contrôle - Pas de fonctionnement inverse après l'installation



- Perte de contrôle - La télécommande ne peut pas communiquer avec le récepteur

Étapes de ré-appariement :

- Coupez l'alimentation principale du ventilateur de plafond pendant 30 secondes.
- Allumez l'alimentation principale du ventilateur de plafond. Suivez le même processus que celui décrit dans le paragraphe « appariement de la télécommande et du récepteur » pour restaurer l'appariement.
- Mettez le ventilateur de plafond en marche et sélectionnez différentes vitesses pour vérifier le fonctionnement du ventilateur.

APRÈS L'INSTALLATION

REMARQUE : Les ventilateurs de plafond ont tendance à bouger quand ils fonctionnent du fait qu'ils sont montés sur un œillet en caoutchouc. Si le ventilateur était monté de façon rigide au plafond, cela causerait des vibrations excessives. Un mouvement de quelques centimètres est acceptable et N'INDIQUE PAS UN PROBLÈME.

POUR RÉDUIRE LES TREMBLEMENTS DU VENTILATEUR : Veuillez vérifier que toutes les vis qui fixent le support de fixation et la tige de suspension sont bien serrées.

KIT D'ÉQUILIBRAGE : Un kit d'équilibrage est fourni pour équilibrer le ventilateur de plafond lors de l'installation initiale. Veuillez vous référer aux instructions d'utilisation du kit d'équilibrage. Le kit d'équilibrage peut être utilisé pour faciliter le rééquilibrage si le ventilateur de plafond se déséquilibre à nouveau. Rangez votre kit d'équilibrage après l'installation pour une utilisation ultérieure si nécessaire.

BRUIT :

Lorsque l'ambiance est calme (en particulier la nuit), il se peut que vous entendiez de faibles bruits occasionnels. De légères fluctuations de l'alimentation électrique et des signaux de fréquence superposés dans l'électricité pour le contrôle de la production d'eau chaude en période creuse peuvent entraîner un changement du bruit du moteur du ventilateur. Ce phénomène est normal. Veuillez prévoir une période de « rodage » de 24 heures : la plupart des bruits associés à un ventilateur neuf disparaissent pendant cette période.

La garantie du fabricant couvre les défauts réels susceptibles d'apparaître et NON les réclamations mineures telles que le bruit de fonctionnement du ventilateur : tous les moteurs électriques sont audibles dans une certaine mesure.

ENTRETIEN ET NETTOYAGE

REMARQUE : Coupez toujours l'alimentation au niveau de l'interrupteur secteur avant tout entretien ou toute tentative de nettoyage du ventilateur.

- Le seul entretien requis est un nettoyage tous les 6 mois de votre ventilateur de plafond. Utilisez une brosse à poils souples ou un chiffon non pelucheux pour éviter de rayer la peinture. Veuillez couper l'alimentation secteur lors de cette opération.
- Ne trempez pas ou n'immergez pas le ventilateur de plafond dans l'eau ou dans d'autres liquides. Cela pourrait endommager le moteur ou les pales et créer un risque de choc électrique.
- Veillez à ce que le ventilateur n'entre pas en contact avec des solvants organiques ou des détergents.
- Pour nettoyer les pales du ventilateur, essuyez-les avec un chiffon propre et humide seulement, sans



solvant organique ni détergent.

- Le moteur dispose d'un roulement à billes lubrifié en permanence, il n'y a donc pas besoin de l'huiler.

CONSIGNES DE SÉCURITÉ CONCERNANT LES PILES

- **AVERTISSEMENT** – Maintenez les piles neuves et usées hors de portée des enfants.
- **ATTENTION** – N'ingérez pas les piles, risque de brûlure chimique.
- Utilisez toujours des piles de type 3V CR2032 CC pour la télécommande de ce ventilateur de plafond.
- Les piles doivent être insérées dans le sens de polarité indiqué.
- Afin d'éviter une mise en marche inattendue pendant l'insertion ou le remplacement des piles, ce ventilateur de plafond doit être débranché de l'alimentation secteur.
- Retirez la pile du produit lorsqu'il n'est pas utilisé pendant longtemps.
- Les piles doivent être retirées de la télécommande avant d'être jetées.
- Jetez les piles épuisées immédiatement et de manière sécurisée (afin qu'elles ne puissent pas être récupérées par des enfants). Les piles usées restent dangereuses. Contactez les autorités locales pour éliminer les piles en toute sécurité.
- Vérifiez régulièrement le produit et assurez-vous que le couvercle du compartiment des piles est bien fermé. Si le compartiment des piles ne peut pas être fermé solidement, cessez d'utiliser le produit et maintenez-le hors de portée des enfants.
- Si vous pensez que des piles ont peut-être été avalées ou placées dans une partie du corps, consultez immédiatement un médecin. Si vous pensez que votre enfant a avalé ou inséré une pile bouton, appelez le numéro d'urgence de votre pays si vous êtes en Europe pour obtenir rapidement un avis d'expert.
- Fuites de piles : Les piles contiennent des produits chimiques et doivent être traitées comme tout produit chimique. Prenez des précautions lors de la manipulation de produits chimiques sortis d'une pile qui fuit. Les produits chimiques des piles ne doivent en aucun cas être ingérés ni entrer en contact avec les yeux. Appelez le numéro d'urgence de votre pays si vous êtes en Europe pour obtenir rapidement un avis d'expert.

INFORMATIONS TECHNIQUES

Ventilateur	Ventilateur CC 52" - MOTO
Modèles de ventilateurs	LD-MOTO-52 / SKU# 210650, 210651, 210652, 210653
Tension nominale	220-240 V~ 50 Hz
Puissance nominale (moteur)	30 W
Puissance nominale (ampoule)	N/A
Piles pour télécommande	3V CR2032 (non fournis)
Poids	3,7 kg
Dimensions du cache	H : 50 mm Dia : 146 mm

INFORMATIONS SUR LA GARANTIE

EN EUROPE – Si vous êtes un client européen, veuillez contacter le magasin d'achat du ventilateur afin de faire valoir la garantie.



This fan is suitable for indoor and alfresco areas where the fan is fully undercover with a minimum of 2 walls. This fan is not waterproof. When installed in an alfresco area, the ceiling fan must be positioned in a location protected from water, wind, dust and salt. Exposure to these elements will void the warranty. Mounting the fan in a situation where it is subject to water or moisture is dangerous.

E

GRACIAS POR SU COMPRA

Gracias por la compra de lo último en ventiladores de techo de bajo consumo. Este ventilador utiliza una corriente CC (corriente continua) para conseguir un gran ahorro de energía y proporcionar un volumen de desplazamiento de aire elevado y una operación silenciosa.

Ahorro de energía - El motor CC incorpora la última tecnología en diseño de ventiladores. Su motor de alta eficiencia ahorra hasta un 65 % más de energía que los ventiladores de techo con motores CA tradicionales.

Operación silenciosa - El ventilador con motor CC está programado con una corriente estabilizada que reduce el ruido del motor eficientemente.


Baja temperatura de funcionamiento – Gestión efectiva de la alimentación CC para rebajar la temperatura de funcionamiento del motor a menos de 50 °C. Con esto se consigue un motor más frío que el de un ventilador CA estándar y se aumenta la longevidad del motor.

Mando a distancia con 6 velocidades - Los ventiladores CA normales solo disponen de 3 velocidades. Este ventilador CC incluye un mando a distancia con 6 velocidades que le proporciona más opciones en cuanto a niveles de confort.

MEDIDAS DE SEGURIDAD

1. Este aparato puede ser utilizado por niños mayores de 8 años y por personas con discapacidades físicas, sensoriales o mentales, o que no cuenten con la experiencia y los conocimientos necesarios, siempre que estén supervisados o hayan sido instruidos sobre el uso seguro del aparato y entiendan los peligros que conlleva. Las tareas de limpieza y mantenimiento no podrán ser realizadas por niños sin la debida supervisión.
2. Se deberá vigilar a los niños para asegurarse de que no juegan con el aparato.
3. De conformidad con el reglamento local sobre cableados, se deberá incorporar un interruptor de desconexión onnipolar en el cableado fijo.



4.  No deseche los aparatos eléctricos como desechos sin clasificar. Utilice los puntos de recogida selectiva o centros de reciclaje designados para este propósito. Póngase en contacto con las autoridades locales para que le informen sobre los sistemas de recogida disponibles. De acabar en los vertederos o basureros, los aparatos eléctricos pueden desprender sustancias nocivas que podrían contaminar las capas freáticas y entrar en la cadena alimenticia, con el consecuente peligro para la salud y el bienestar.
5. La estructura a la que el ventilador debe montarse debe ser capaz de soportar 15 kg de peso.
6. El ventilador deberá montarse de tal manera que las aspas estén, como mínimo, a 2,3 m del suelo.
7. Este ventilador es apropiado para áreas de interior y al aire libre donde esté totalmente cubierto y con 2 paredes como mínimo. Este ventilador no es resistente al agua. Cuando se instale en un lugar al aire libre, el ventilador de techo debe ubicarse en un lugar protegido del agua, el viento, el polvo y la sal. La exposición a estos elementos anulará la garantía. Montar el ventilador en un lugar donde quede expuesto



al agua o la humedad es peligroso y puede aumentar el riesgo de daños, lesiones o choques eléctricos.

8. Debe ser montado e instalado por un electricista acreditado.
9. **ADVERTENCIA:** Si se observara un movimiento inusual de oscilación o bamboleo, deje de usar el ventilador de techo inmediatamente y póngase en contacto con el fabricante, su agente de servicios o personas debidamente cualificadas.
10. La sustitución de las piezas del sistema de suspensión de seguridad deberá llevarla a cabo el fabricante, su agente de servicios o personas debidamente cualificadas.
11. Los elementos para sujetarlo al techo, como ganchos u otros elementos, deberán fijarse con suficiente firmeza para soportar 4 veces el peso del ventilador de techo. El montaje del sistema de suspensión deberá efectuarlo el fabricante, su agente de servicios o personas debidamente cualificadas.



This fan is suitable for indoor and alfresco areas where the fan is fully undercover with a minimum of 2 walls. This fan is not waterproof. When installed in an alfresco area, the ceiling fan must be positioned in a location protected from water, wind, dust and salt. Exposure to these elements will void the warranty. Mounting the fan in a situation where it is subject to water or moisture is dangerous.

LISTA DE PIEZAS

- Desembale el ventilador de techo con cuidado. Saque todas las piezas y la tornillería.
- Deposite todos los componentes sobre una superficie lisa y asegúrese de que no falte ninguno antes de comenzar el montaje. Si falta alguna pieza, devuelva el producto completo al lugar donde realizó la compra para que lo examinen o reemplacen.
- Compruebe que el ventilador de techo no haya sufrido algún daño durante el transporte. Nunca utilice o instale un producto que parezca sufrir algún daño. Devuelva el producto completo al lugar donde realizó la compra para que lo examinen, reparen o reemplacen.
- Examine todas las piezas, que deberían incluir lo siguiente:

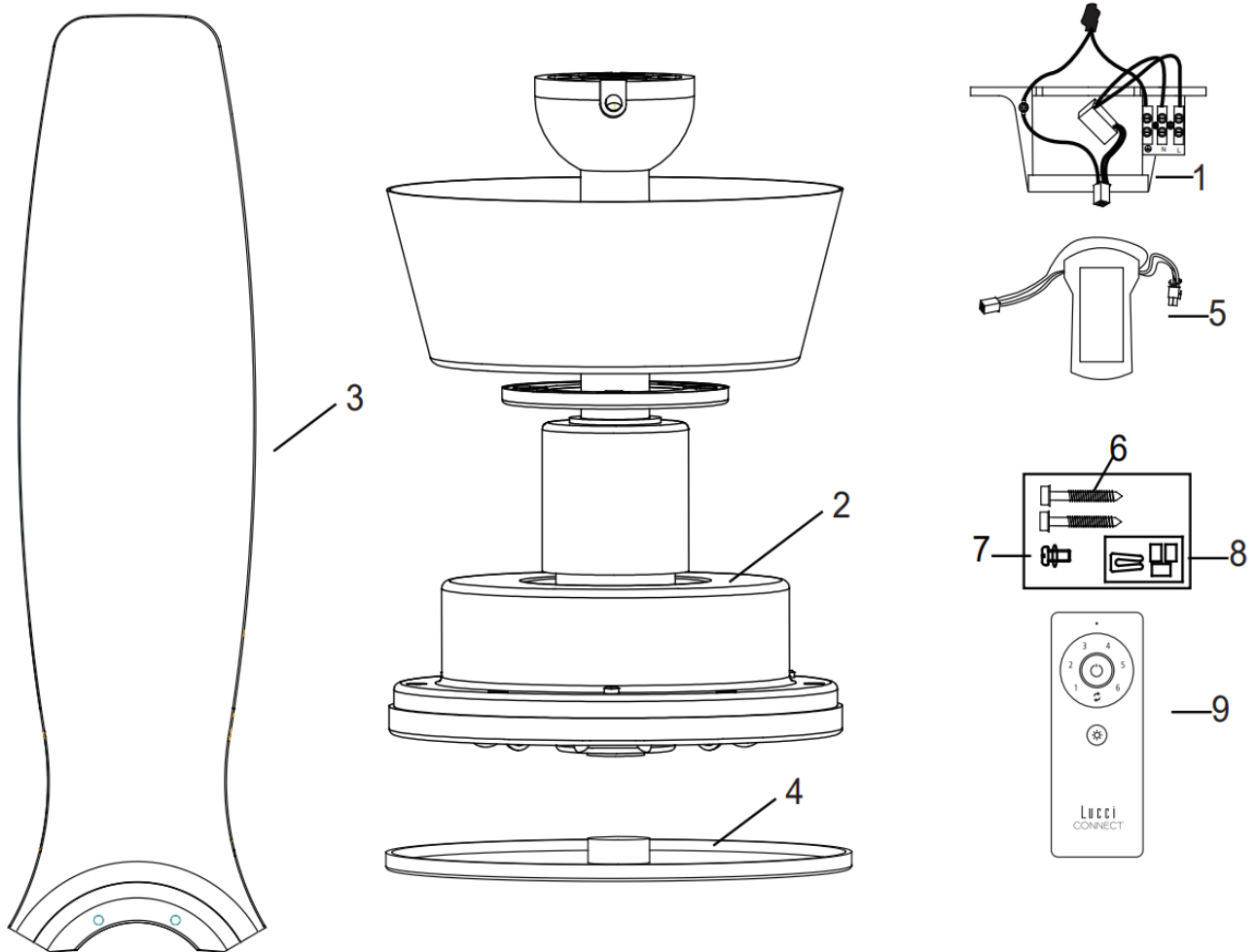


Fig. 1

1	Soporte de techo x 1	6	Tornillos de montaje x 2
2	Conjunto del ventilador x 1	7	Tornillo del aspa de repuesto x 1
3	Aspas x 3	8	Kit de equilibrado x 1
4	Cubierta inferior x 1	9	Mando a distancia x 1
5	Unidad de control del ventilador x 1		



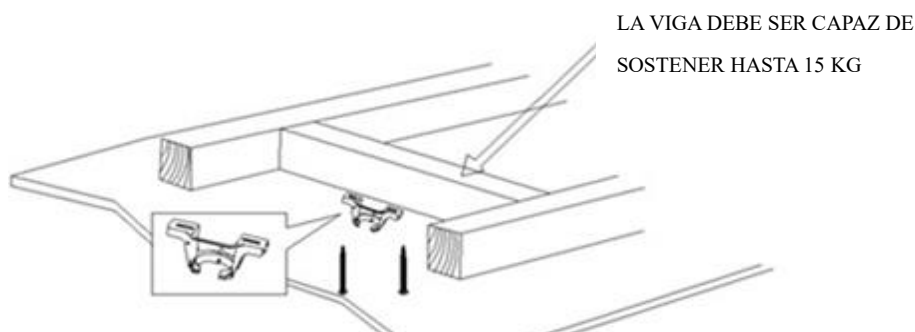
INSTALACIÓN DEL VENTILADOR

HERRAMIENTAS REQUERIDAS:

- Destornillador Phillips/punta plana
- Alicata
- Llave inglesa
- Escalera
- Cortacables
- Cableado y cable de corriente, conforme a lo requerido por los reglamentos y las normas nacionales y provinciales

INSTALACIÓN DEL SOPORTE DE TECHO

- El ventilador de techo debe instalarse en un lugar donde las puntas de las aspas estén a una distancia mínima de 300 mm de las paredes y los objetos más cercanos.
- Con los dos tornillos largos suministrados, instale el soporte de montaje sobre una viga o una estructura capaz de soportar al menos 15 kg. Asegúrese de enroscar los tornillos 30 mm como mínimo en el soporte. (Fig. 2)



NOTA: ESTA IMAGEN SOLO SE MUESTRA A MODO DE REFERENCIA Y NO ES UNA REPRESENTACIÓN DEL SOPORTE REAL

Fig. 2

NOTA: Los tornillos del soporte suministrados solo deben usarse con estructuras de madera. Para estructuras diferentes a la madera, DEBERÁ utilizarse el tipo de tornillo adecuado. Asegúrese de que los tornillos sean los apropiados para la superficie de montaje y su alrededor.

INSTALACIÓN EN UN TECHO INCLINADO

El sistema de cuelgue de este ventilador puede ser instalado en un techo con una inclinación máxima de 11 grados. (Fig. 3)

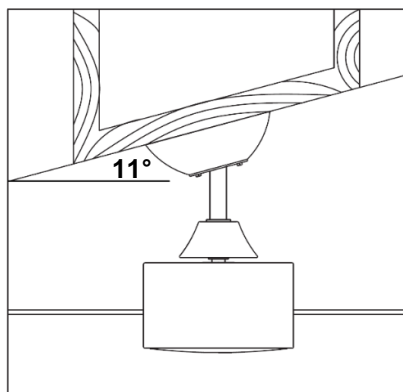


Fig. 3



INSTALACIÓN DE LAS ASPAS (Fig. 4)

1. Antes de instalar las aspas, quite los tornillos de las aspas de la parte superior del conjunto del motor.
2. Alinee los 2 agujeros del asa con los 2 agujeros del elemento giratorio del conjunto del motor.
3. Use los 2 tornillos de asa del paso 1 para fijar el asa al conjunto del motor del ventilador.
Asegúrese de que todos los tornillos estén apretados uniformemente para reducir la posibilidad de alabeos o desequilibrios. No apriete demasiado los tornillos porque las aspas podrían dañarse.
4. Repita el mismo procedimiento para las demás aspas.

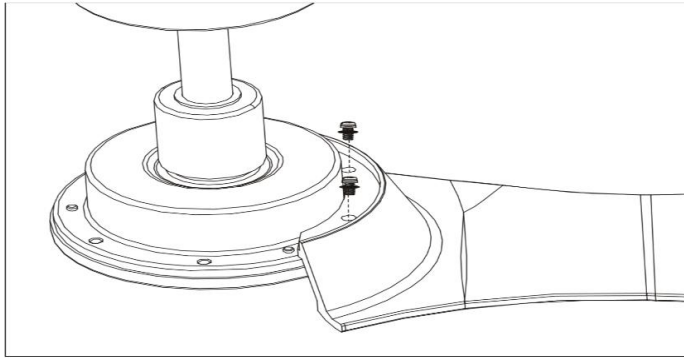


Fig. 4

INSTALACIÓN DE LA CUBIERTA INFERIOR (Fig. 5)

- Instale la cubierta inferior del conjunto del ventilador y luego, fíjela girándola en sentido horario.

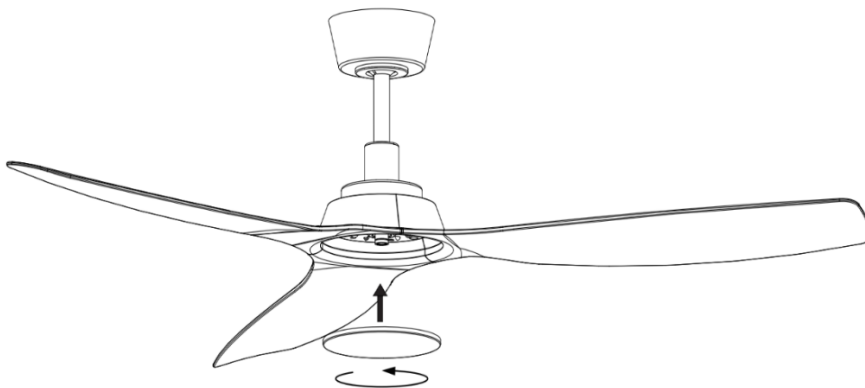


Fig. 5

CÓMO COLGAR EL VENTILADOR

Alce el conjunto del ventilador para colgarlo en el soporte de techo. Asegúrese de que la ranura de llave (A) de la bola de suspensión esté posicionada sobre la clavija de llave (B) del soporte de techo (C) para evitar la rotación del ventilador cuando esté funcionando. (Fig. 6)

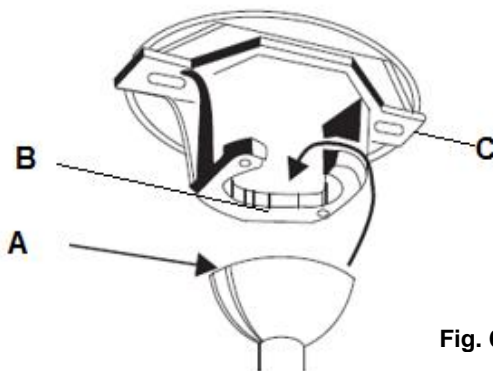


Fig. 6



DIAGRAMA DEL CABLEADO ELÉCTRICO DEL VENTILADOR**PREPARE Y COMPLETE EL CABLEADO ELÉCTRICO --- DIAGRAMA DEL CABLEADO (FIG. 7)**

ADVERTENCIA: POR SU SEGURIDAD, TODAS LAS CONEXIONES ELÉCTRICAS DEBERÁ REALIZARLAS UN ELECTRICISTA ACREDITADO.

NOTA: EL CABLEADO FIJO DEBERÁ INCORPORAR UN INTERRUPTOR DE DESCONEXIÓN OMNIPOLAR ADICIONAL.

NOTA: CUANDO HAYA DOS O MÁS VENTILADORES DE TECHO DE CORRIENTE CONTINUA INSTALADOS EN UN MISMO LUGAR, SERÁ NECESARIO UN INTERRUPTOR DE AISLAMIENTO PARA CADA VENTILADOR DE TECHO. ESTO ES REQUERIDO A LA HORA DE PROGRAMAR EL MANDO A DISTANCIA Y EL RECEPTOR PARA SU EMPAREJAMIENTO.

Del suministro de corriente a la clema del soporte de techo: (Fig. 7)

1. Conecte el cable de fase a la terminal «L» de la clema del soporte de techo
2. Conecte el cable neutro de la corriente al terminal «N» de la clema del soporte de techo.
3. Conecte el cable de tierra al terminal de tierra de la clema del soporte de techo.

Del soporte de techo al receptor y el motor: (Fig. 7)

Conecte el conector rápido del cable de suministro del soporte de techo a la toma del conector rápido de la unidad de control del ventilador. **(Fig. 7)**

Conecte el conector rápido de los cables de salida de la unidad de control del ventilador al conector rápido de los cables de entrada del conjunto del ventilador. **(Fig. 7)**



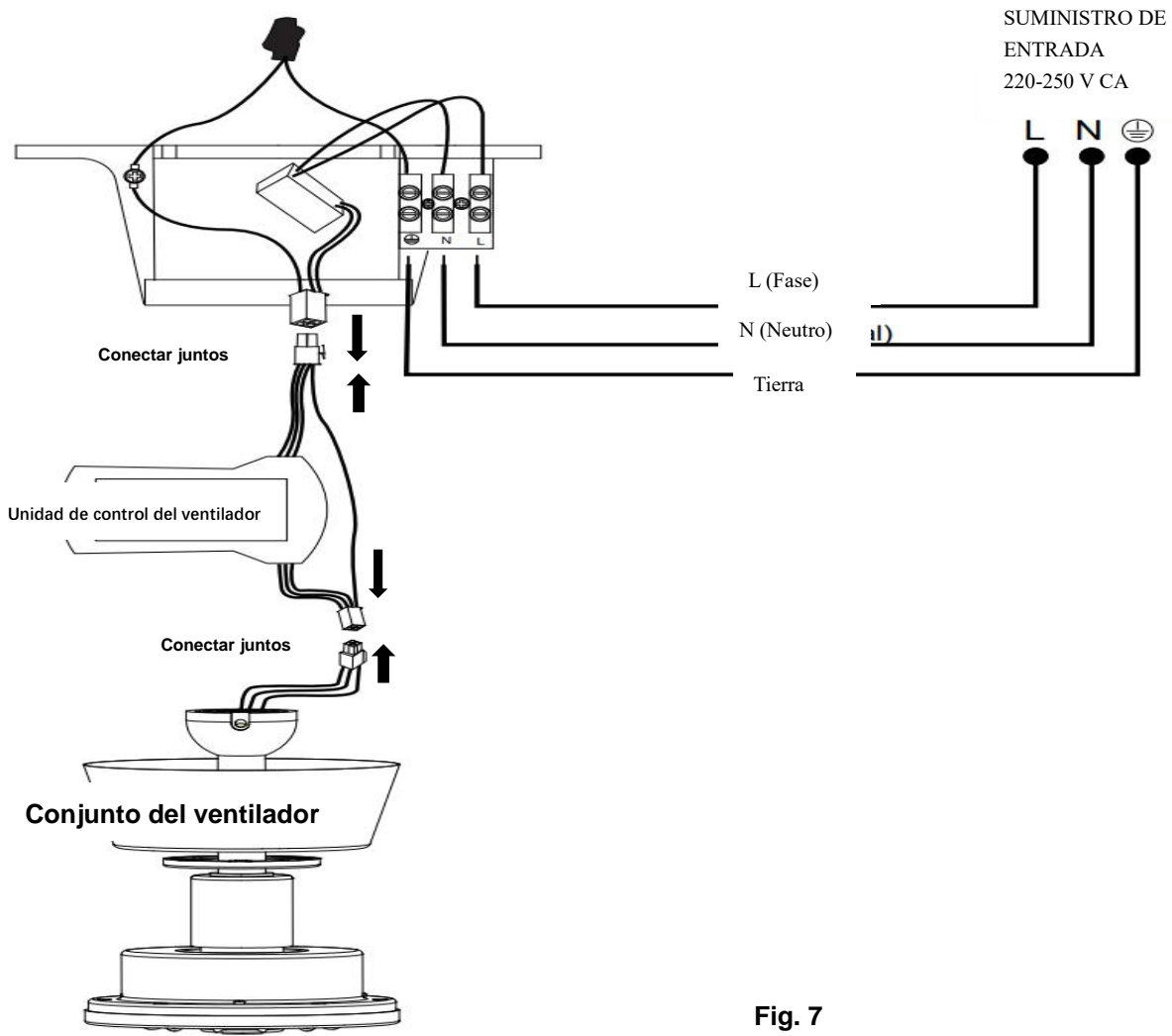


Fig. 7

Introduzca con cuidado el receptor en el espacio restante dentro del soporte de techo, por encima de la junta esférica. Procure no dañar o aflojar los cables. (Fig. 8).

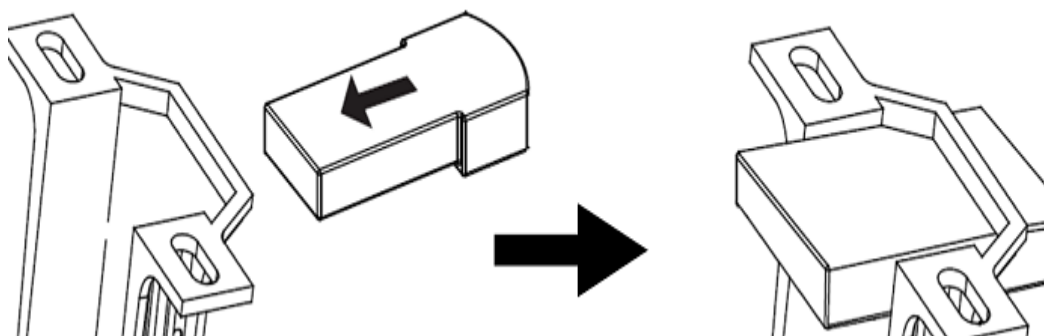


Fig. 8



CÓMO FINALIZAR LA INSTALACIÓN

NOTA: Compruebe que el cableado de toma a tierra sea seguro y correcto realizando una prueba de continuidad de la conexión a tierra desde el cuerpo metálico accesible del ventilador hasta el terminal de tierra en la clema del soporte de techo.

INSTALACIÓN DEL FLORÓN (Fig. 9)

1. Afloje los 2 tornillos de la parte inferior del soporte de techo.
2. Inserte el florón hasta cubrir el soporte de techo y alinee los orificios de llave del florón con los tornillos del soporte de techo. Gire el florón hasta que llegue al tope de la sección más estrecha de los orificios de llave y asegúrelo apretando los dos tornillos. Evite dañar los cables eléctricos empalmados en los pasos anteriores.
3. Deslice la cubierta del florón sobre el florón.

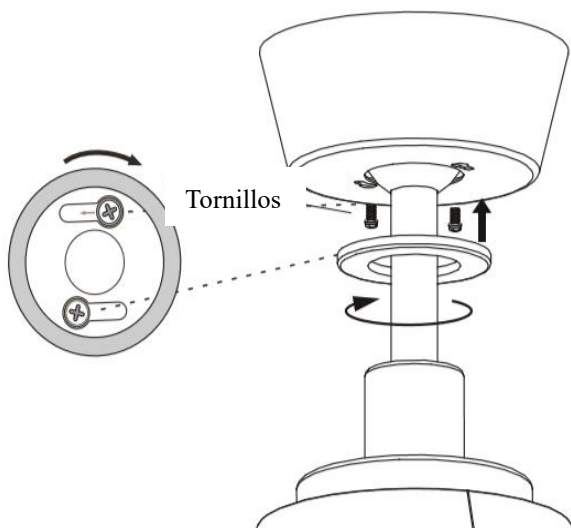


Fig. 9

INSTALACIÓN DEL PORTAMANDOS (Fig. 10)

1. Elija un lugar apropiado de una pared para fijar el portamandos con 2 tornillos. (Fig. 10a).
2. Deslice el mando a distancia al interior del soporte. (Fig. 10b)

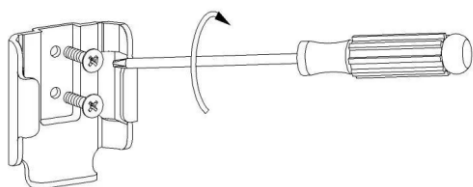


Fig. 10a



Fig. 10b



CÓMO USAR SU VENTILADOR DE TECHO

NOTA: El mando a distancia y el receptor deben ser emparejados una vez instalado el ventilador de techo.

NOTA: Cuando haya dos o más ventiladores de techo próximos unos a otros, consulte las instrucciones de la página siguiente.

INSTALACIÓN DE LA PILA (Fig.11)

1. Afloje el tornillo de la tapa de la pila.
2. Instale una pila tipo CR2032 en el compartimento. Asegúrese de instalar la pila en el sentido correcto de la polaridad.
3. Vuelva a colocar la tapa de la pila y fíjela con el tornillo.

Instale una pila tipo CR2032 de 3V en el compartimento. Asegúrese de que la pila esté colocada en el sentido correcto de la polaridad. (Fig. 11)

Asegúrese de que la pila esté colocada en el sentido correcto de la polaridad.

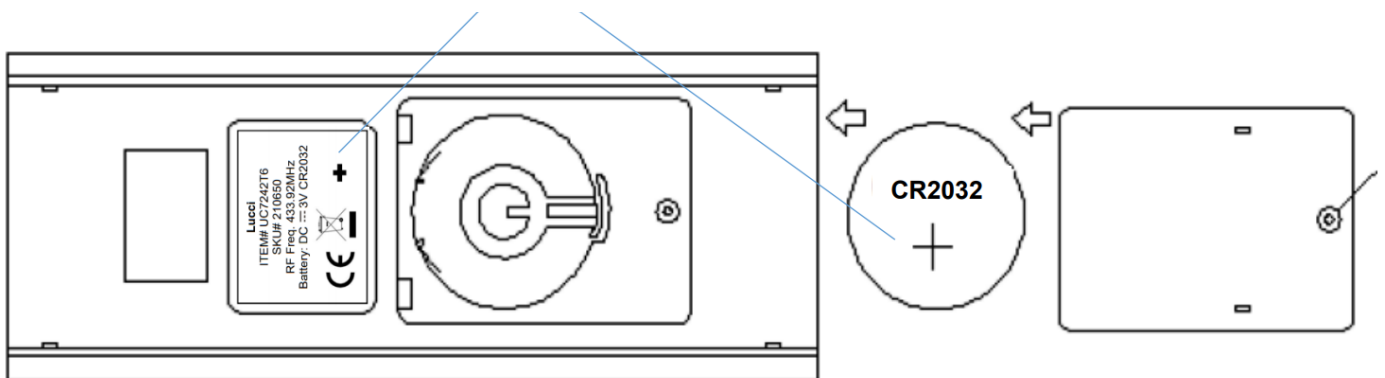


Fig. 11

EMPAREJAMIENTO DEL MANDO A DISTANCIA Y EL RECEPTOR - CUANDO HAY 1 VENTILADOR DE TECHO CC INSTALADO EN UN LUGAR

NOTA: Asegúrese de haber instalado un interruptor de desconexión unipolar en el cableado residencial para el ventilador.

NOTA: Asegúrese de que el receptor esté activado antes de emparejar el mando a distancia al receptor.

- Apague el ventilador mediante el interruptor de la pared.
- Instale una pila tipo CR2032 de 3V en el mando a distancia. Asegúrese de que la pila esté colocada en el sentido correcto de la polaridad.
- Encienda el ventilador para activar el receptor.
- Mantenga presionado el botón “⏻” en el mando a distancia por 3-5 segundos en un plazo de 30 segundos desde encendido del receptor del ventilador de techo. Durante el proceso, la luz indicadora parpadeará lentamente.

This fan is suitable for indoor and alfresco areas where the fan is fully undercover with a minimum of 2 walls. This fan is not waterproof. When installed in an alfresco area, the ceiling fan must be positioned in a location protected from water, wind, dust and salt. Exposure to these elements will void the warranty. Mounting the fan in a situation where it is subject to water or moisture is dangerous.

- Encienda el ventilador de techo y cambie su velocidad con el mando a distancia para comprobar que funciona correctamente y que el emparejamiento se ha realizado con éxito.
- En caso de no llegar a emparejarse, repita estos pasos de nuevo.


EMPAREJAMIENTO DEL MANDO A DISTANCIA Y EL RECEPTOR - CUANDO HAY 2 O MÁS VENTILADORES DE TECHO CC INSTALADOS EN UN MISMO LUGAR

Cuando hay dos o más ventiladores próximos, se recomienda ajustar el transmisor/receptor de cada ventilador con un código diferente, de manera que el funcionamiento de un ventilador no afecte el de los otros.


NOTA: Asegúrese de haber instalado un interruptor de desconexión unipolar en el cableado residencial para cada ventilador.

NOTA: Asegúrese de que el receptor esté activado antes de emparejar el mando a distancia al receptor.

Emparejamiento del mando a distancia al receptor del ventilador de techo 1:

- Apague los ventiladores 1 y 2 para interrumpir la corriente a sus receptores.
- Instale una pila tipo CR2032 de 3V en el compartimento. Asegúrese de que la pila esté colocada en el sentido correcto de la polaridad. (Fig.11)
- Encienda el ventilador 1 para activar su receptor. Mantenga apagado el ventilador 2 y su receptor. (Cada ventilador de techo deberá tener su propio interruptor de aislamiento, de modo que solo esté encendido el ventilador de techo que necesite emparejarse con el mando a distancia).
- Mantenga presionado el botón “” del **mando a distancia 1** por 3-5 segundos en un plazo de 30 segundos desde encendido del receptor del ventilador de techo 1. Durante el proceso, la luz indicadora parpadeará lentamente.
- Encienda el ventilador de techo 1 y cambie su velocidad con el mando a distancia para comprobar que funciona correctamente y que el emparejamiento se ha realizado con éxito.
- En caso de no llegar a emparejarse, repita estos pasos de nuevo.

Emparejamiento del mando a distancia al receptor del ventilador de techo 2:

- Apague los ventiladores 1 y 2 para interrumpir la corriente a sus receptores.
- Instale una pila tipo CR2032 de 3V en el compartimento. Asegúrese de que la pila esté colocada en el sentido correcto de la polaridad. (Fig.11)
- Encienda el ventilador 2 para activar su receptor. Mantenga apagado el ventilador 1 y su receptor. (Cada ventilador de techo deberá tener su propio interruptor de aislamiento, de modo que solo esté encendido el ventilador de techo que necesite emparejarse con el mando a distancia).
- Mantenga presionado el botón “” del **mando a distancia 2** por 3-5 segundos en un plazo de 30 segundos desde encendido del receptor del ventilador de techo 2. Durante el proceso, la luz indicadora parpadeará lentamente.
- Encienda el ventilador de techo 2 con el mando a distancia para comprobar que funciona correctamente y el emparejamiento se ha realizado con éxito.
- En caso de no llegar a emparejarse, repita estos pasos de nuevo.

RESTABLECIMIENTO A VALORES DE FÁBRICA:

Si desea restablecer su mando a distancia para que sea compatible con todos los receptores, presione el



This fan is suitable for indoor and alfresco areas where the fan is fully undercover with a minimum of 2 walls. This fan is not waterproof. When installed in an alfresco area, the ceiling fan must be positioned in a location protected from water, wind, dust and salt. Exposure to these elements will void the warranty. Mounting the fan in a situation where it is subject to water or moisture is dangerous.

botón “” por 15 segundos. Durante el proceso, la luz indicadora parpadeará rápidamente.

BOTONES DEL MANDO A DISTANCIA:

Antes de empezar a utilizar el mando a distancia, dedique un tiempo a leerse esta sección y familiarizarse con los botones y la función de cada botón (Fig. 12).

1 - Indicador LED

El indicador LED rojo en la parte superior del receptor parpadeará cuando se accione algún botón.

2 - BOTÓN DE APAGADO DEL VENTILADOR:

Presione este botón para apagar el ventilador.

3 - SELECTOR DE VELOCIDAD DEL VENTILADOR:

Hay 6 velocidades disponibles. El botón “1” representa la velocidad más baja, y el botón “6” la más elevada.

NOTA: Cuando encienda el ventilador por primera vez o encienda el controlador, necesitará primero poner en marcha el ventilador a la velocidad más alta “6” y elegir después una velocidad más baja. El ventilador CC necesita de 5 a 10 segundos para responder al seleccionar la velocidad o el sentido de giro del ventilador desde el mando a distancia.

4 - BOTÓN DE SENTIDO CONTRARIO DE GIRO:

Pulse este botón para activar la función de sentido contrario de giro. El ventilador debe estar funcionando para activar la función de sentido contrario.

5 - BOTÓN DE CONTROL DE LUZ: (El ventilador Moto no tiene luz)

Presione este botón para apagar o encender la luz.

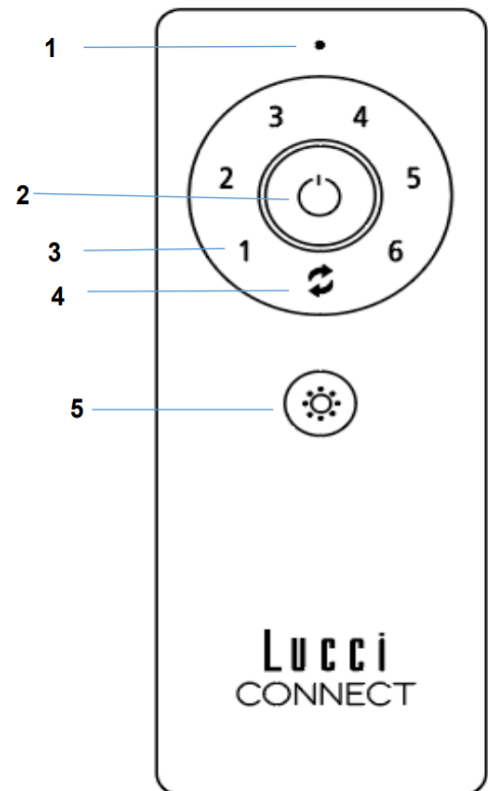


Fig. 12

REEMPAREJAMIENTO DEL MANDO A DISTANCIA Y EL RECEPTOR – CUANDO HAY 1 VENTILADOR INSTALADO

- Si perdiera la conexión entre el receptor y el mando a distancia tras la instalación o durante su uso, emparejélos de nuevo.
- A continuación se describen los indicios de un mal funcionamiento y el método para volver a emparejar el receptor y el mando a distancia del ventilador de techo CC.

Indicios de mal funcionamiento:

- Pérdida de control - El ventilador solo funciona una velocidad alta después de la instalación.
- Pérdida de control - La función de cambio de sentido no funciona después de la instalación.
- Pérdida de control - El mando a distancia no se puede comunicar con el receptor.

Pasos para volver a realizar el emparejamiento:

- Apague el ventilador de techo durante 30 segundos.



- Abra la corriente del ventilador de techo. Siga el mismo procedimiento descrito en el apartado *Emparejamiento del mando a distancia y el receptor* para restablecer el emparejamiento.
- Encienda y seleccione una velocidad diferente del ventilador de techo para comprobar el funcionamiento del ventilador.

DESPUÉS DE LA INSTALACIÓN

NOTA: Los ventiladores de techo tienden a moverse cuando están funcionando debido a que están montados sobre un pasacables de goma. Si el ventilador estuviera montado rígidamente al techo, generaría demasiadas vibraciones. Un movimiento de unos pocos centímetros es bastante aceptable y NO indica que haya un problema.

CÓMO REDUCIR EL BAMBOLEO DEL VENTILADOR: Compruebe que todos los tornillos que fijan el soporte de montaje del ventilador y el soporte estén bien apretados.

KIT DE COMPENSACIÓN: Se incluye un kit de compensación para equilibrar el ventilador de techo durante la instalación inicial. Consulte las instrucciones acerca de cómo usar el kit de compensación. El kit de compensación puede usarse para reequilibrar el ventilador si llegara a desequilibrarse. Después de la instalación, guarde el kit de compensación por si lo necesita en un futuro.

RUIDO:

En los momentos silenciosos (sobre todo por la noche), puede que escuche ruidos tenues ocasionalmente. Leves fluctuaciones de la corriente y frecuencias de señales superpuestas en la corriente para el control del agua caliente durante las horas no puntas pueden causar cambios en el ruido del motor del ventilador. Esto es algo normal. Permita un periodo de adaptación de 24 horas. Tras este periodo, la mayoría de los ruidos asociados con su nuevo ventilador deberían haber desaparecido.

La garantía del fabricante cubre fallos reales que puedan acaecer, NO así quejas menores como escuchar el ruido del motor – Todos los motores son, hasta cierto punto, audibles.

CUIDADO Y LIMPIEZA

NOTA: Apague siempre el ventilador desde el cuadro eléctrico antes de llevar a cabo cualquier tarea de mantenimiento o limpieza.

- El único mantenimiento que requiere su ventilador de techo es una limpieza cada 6 meses. Utilice un cepillo blando o un paño que no deje pelusa para no rayar el acabado de pintura. Corte la corriente de la red cuando haga esto.
- No moje ni sumerja el ventilador de techo en el agua u otros líquidos. Esto podría dañar el motor o las aspas y dar pie a posibles choques eléctricos.
- Asegúrese de que el ventilador no entre en contacto con disolventes orgánicos o detergentes.
- Para limpiar las aspas del ventilador, basta con pasar un paño humedecido SIN disolventes orgánicos ni detergentes.
- El motor tiene un rodamiento con lubricación permanente, por lo que no es necesario engrasarlo.

MEDIDAS DE SEGURIDAD CON LA PILA

- **ADVERTENCIA** – Mantenga las pilas nuevas y usadas fuera del alcance de los niños.
- **PRECAUCIÓN** – No ingerir las pilas - Riesgo de quemaduras químicas.



- Utilice siempre una pila de 3V CR2032 con el mando a distancia del ventilador de techo.
- Asegúrese de instalar las pilas en el sentido correcto de la polaridad correcta.
- Para evitar el funcionamiento accidental del ventilador de techo al instalar o sustituir las pilas, desconéctelo de la corriente.
- Retire las pilas del producto cuando no lo vaya a utilizar durante un largo periodo de tiempo.
- Las pilas deben retirarse del mando a distancia antes de desecharlo.
- Deseche las pilas agotadas inmediatamente y de forma segura (para que no puedan acabar en manos de los niños). Las pilas pueden seguir siendo peligrosas. Póngase en contacto su ayuntamiento para deshacerse de las pilas de una manera segura.
- Revise periódicamente el producto y asegúrese de que la tapa del compartimento de las pilas esté bien asegurada. Si el compartimento de las pilas no se cerrara bien, deje de usar el producto y guárdelo en un lugar fuera del alcance de los niños.
- Si sospecha que alguna pila ha podido ser ingerida o introducida en alguna parte del cuerpo, solicite atención médica inmediatamente. Si sospecha que su hijo/a ha ingerido o se ha introducido una pila de botón, llame al número de urgencias de su país, si está en Europa, para recibir asesoramiento experto y raudo sobre cómo proceder.
- Fugas de la pila: La pila contiene sustancias químicas y debe ser tratada como cualquier otro producto químico. Tome precauciones cuando manipule los productos químicos fugados de la pila. Las sustancias químicas de la pila no deben acercarse a los ojos o ingerirse. Llame al número de urgencias de su país, si está en Europa, para recibir asesoramiento experto y raudo sobre cómo proceder.

INFORMACIÓN TÉCNICA

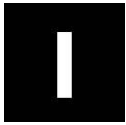
Ventilador	Ventilador CC 52" - MOTO
Modelos de ventilador	LD-MOTO-52 / SKU# 210650, 210651, 210652, 210653
Tensión nominal	220-240V~ 50Hz
Potencia nominal (motor)	30 W
Vataje nominal (lámpara)	N/A
Pila para el mando a distancia	3V CR2032 (no incluidas)
Peso	3,7 kg
Dimensiones del florón	Altura: 50 mm Ø: 146 mm

INFORMACIÓN SOBRE LA GARANTÍA

EN EUROPA – Si es un cliente europeo, contacte con la tienda distribuidora donde adquirió el ventilador para obtener los servicios de garantía.



This fan is suitable for indoor and alfresco areas where the fan is fully undercover with a minimum of 2 walls. This fan is not waterproof. When installed in an alfresco area, the ceiling fan must be positioned in a location protected from water, wind, dust and salt. Exposure to these elements will void the warranty. Mounting the fan in a situation where it is subject to water or moisture is dangerous.



GRAZIE PER L'ACQUISTO

Grazie per aver acquistato questo ventilatore a soffitto a risparmio energetico di ultima generazione. Questo ventilatore funziona a corrente continua (CC), che offre un'elevata efficienza energetica pur mantenendo un intenso movimento dell'aria e un funzionamento silenzioso.

Risparmio energetico – Il motore a corrente continua è la più recente tecnologia nella progettazione di ventilatori. Questo tipo di motore a elevata efficienza permette di risparmiare fino al 65% di energia in più rispetto ai ventilatori a soffitto con motori CA tradizionali.

Funzionamento silenzioso – Il motore è programmato con una corrente stabilizzata, che riduce significativamente il rumore di funzionamento.


Bassa temperatura di funzionamento – L'alimentazione a corrente continua viene gestita efficacemente, abbassando la temperatura di funzionamento del motore a meno di 50°C. Ciò rende il motore meno caldo rispetto a quelli dei ventilatori CA standard, e ne aumenta la durata di vita.

Telecomando a 6 velocità – Mentre i tradizionali ventilatori a soffitto CA sono generalmente dotati di sole 3 velocità, questo ventilatore CC include un telecomando a 6 velocità per soddisfare tutte le esigenze individuali.

NORME DI SICUREZZA

1. Questo apparecchio può essere usato da bambini di età superiore a 8 anni e da persone con ridotte capacità fisiche, sensoriali o mentali o prive di esperienza o conoscenza, solo se supervisionati o istruiti sull'uso sicuro dell'apparecchio e se comprendono i rischi correlati. Le operazioni di pulizia e manutenzione ordinaria non devono essere effettuate da bambini non supervisionati.
2. Sorvegliare i bambini per accertarsi che non giochino con l'apparecchio.
3. L'impianto elettrico deve essere protetto da un interruttore differenziale, conformemente alle normative elettriche locali.



4.  Non gettare gli apparecchi elettrici insieme ai rifiuti domestici, ma smaltirli presso gli appositi punti di raccolta. Contattare le autorità locali per informazioni sui sistemi di raccolta disponibili. Se gli apparecchi elettrici vengono gettati nelle discariche, le sostanze pericolose che contengono possono infiltrarsi nella falda freatica ed entrare nella catena alimentare, con effetti nocivi su salute e benessere.
5. La struttura su cui verrà installato il ventilatore deve essere in grado di sostenere un peso di 15 kg.
6. Il ventilatore deve essere installato in modo che le pale siano ad almeno 2,3 metri di altezza dal pavimento.
7. Questo ventilatore è adatto ad aree in interni, all'aperto e costiere, purché sia completamente protetto da almeno 2 pareti. Questo ventilatore non è impermeabile. Se collocato in aree all'aperto, il ventilatore deve essere installato in una posizione protetta da acqua, vento, polvere e sale. L'esposizione a tali elementi comporta l'annullamento della garanzia. L'installazione del ventilatore in una posizione esposta ad acqua o umidità è pericolosa e può aumentare il rischio di danni, lesioni o scossa elettrica.
8. Il ventilatore deve essere assemblato e installato da un elettricista professionista.



9. **AVVERTENZA!** In caso di oscillazioni anomale, interrompere immediatamente l'uso del ventilatore a soffitto e contattare il costruttore, il suo centro di assistenza o un tecnico qualificato.
10. La sostituzione delle parti del sistema di sospensione di sicurezza deve essere effettuata dal costruttore, dal suo centro di assistenza o da un tecnico qualificato.
11. I dispositivi di fissaggio del ventilatore al soffitto, ad esempio i ganci, devono essere in grado di sostenere 4 volte il peso del ventilatore; l'installazione del sistema di sospensione deve essere effettuata dal costruttore, dal suo centro di assistenza o da un tecnico qualificato.



This fan is suitable for indoor and alfresco areas where the fan is fully undercover with a minimum of 2 walls. This fan is not waterproof. When installed in an alfresco area, the ceiling fan must be positioned in a location protected from water, wind, dust and salt. Exposure to these elements will void the warranty. Mounting the fan in a situation where it is subject to water or moisture is dangerous.

ELENCO DELLE PARTI

- Disimballare il ventilatore con attenzione. Estrarre tutti i componenti e gli accessori.
- Disporre il contenuto su una superficie piana e, prima dell'assemblaggio, assicurarsi che siano presenti tutti i componenti. In caso di componenti mancanti, riportare il prodotto presso il rivenditore affinché venga ispezionato o sostituito.
- Verificare che il ventilatore non abbia subito danni durante il trasporto. Non usare/installare il prodotto se presenta danni di qualsiasi tipo. Riportare il prodotto completo presso il rivenditore affinché venga ispezionato, riparato o sostituito.
- Esaminare tutti i componenti e verificare che corrispondano a quelli elencati di seguito.

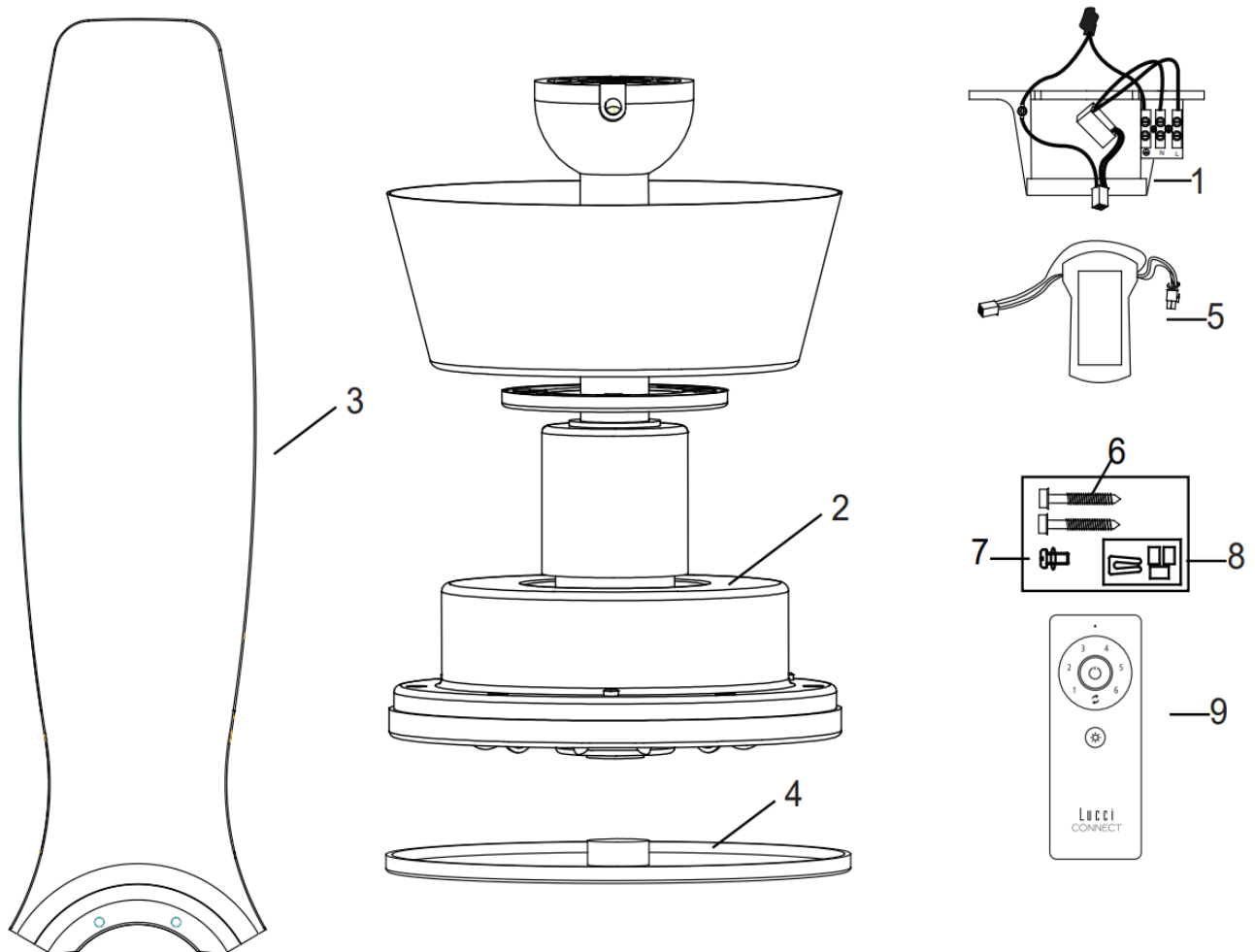


Fig. 1

1	Staffa di supporto x1	6	Viti di montaggio x2
2	Gruppo ventilatore x1	7	Vite di ricambio per pala x1
3	Pale x3	8	Kit di bilanciamento x1
4	Copertura inferiore x1	9	Telecomando x1
5	Unità di controllo del ventilatore x1		



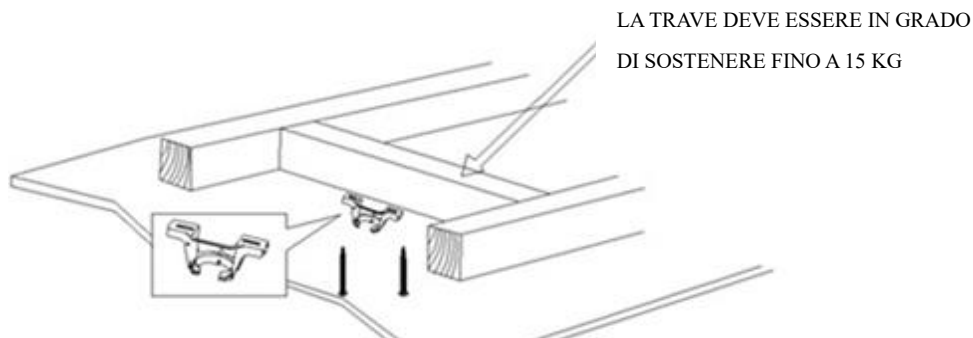
INSTALLAZIONE DEL VENTILATORE

UTENSILI NECESSARI

- Cacciavite a croce/a testa piatta
- Pinza
- Chiave regolabile
- Scala
- Pinza spelafili
- Cavi elettrici e di alimentazione conformi alle normative di cablaggio locali e nazionali

INSTALLAZIONE DELLA STAFFA DI SUPPORTO

- Il ventilatore a soffitto deve essere installato in modo tale che le estremità delle pale siano ad almeno 300 mm di distanza da pareti o oggetti adiacenti.
- Fissare la staffa di supporto a una struttura o una trave del soffitto in grado di sostenere un carico di almeno 15 kg con le due viti lunghe fornite. Assicurarsi che almeno 30 mm della vite siano inseriti nella struttura (Fig. 2).



NOTA: L'IMMAGINE È A SOLO SCOPO ILLUSTRATIVO E NON RAPPRESENTA LA STAFFA REALE.

Fig. 2

NOTA: le viti di supporto fornite sono destinate esclusivamente a strutture in legno. Per strutture diverse dal legno, è OBBLIGATORIO usare viti di tipo appropriato. Assicurarsi che le viti utilizzate siano adatte alla superficie di installazione e all'ambiente circostante.

INSTALLAZIONE ANGOLATA

Questo sistema di montaggio consente di installare il ventilatore al soffitto con un angolo massimo di 11 gradi (Fig. 3).

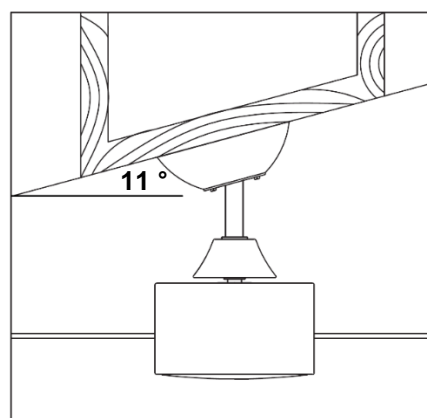


Fig. 3



INSTALLAZIONE DELLE PALE (Fig. 4)

1. Prima di installare le pale, rimuovere le viti per pale dalla parte superiore dell'unità motore del ventilatore.
2. Allineare i 2 fori sulla pala con i 2 fori sulla parte girevole dell'unità motore del ventilatore.
3. Usando le 2 viti per pale rimosse al passaggio 1, fissare la pala all'unità motore del ventilatore.
Assicurarsi che tutte le viti siano serrate in modo uniforme per ridurre la possibilità di deformazioni o sbilanciamenti. Fare attenzione a non serrarle eccessivamente per evitare di danneggiare le pale.
4. Ripetere l'operazione con le altre pale.

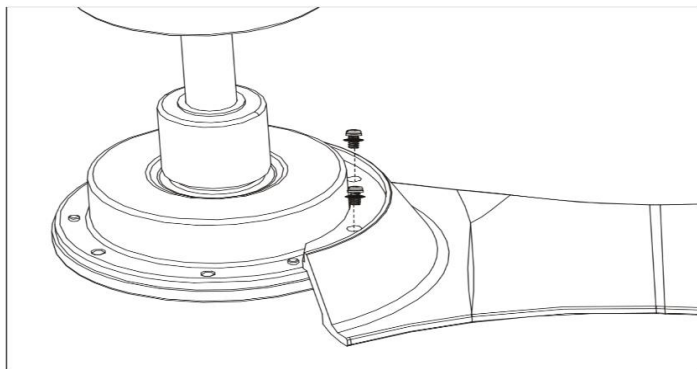


Fig.4

INSTALLAZIONE DELLA COPERTURA INFERIORE (Fig. 5)

- Installare la copertura inferiore sul ventilatore e fissarla ruotandola in senso orario.

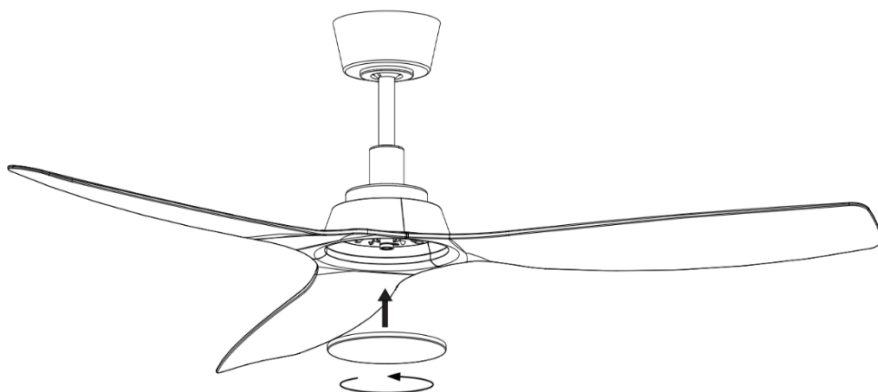


Fig. 5

FISSAGGIO DEL VENTILATORE

Avvicinare il ventilatore alla staffa di supporto. Assicurarsi che la fessura (A) del giunto sferico sia posizionata sul perno (B) della staffa di supporto (C), in modo tale da evitare che il ventilatore ruoti quando è in funzione (Fig. 6).

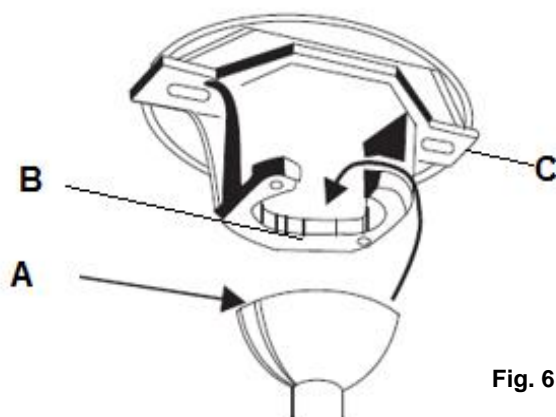


Fig. 6



SCHEMA DI CABLAGGIO

PREPARAZIONE E INSTALLAZIONE DEI CAVI ELETTRICI - SCHEMA DI DIAGRAMMA (FIG. 7)

AVVERTENZA! PER LA PROPRIA SICUREZZA, TUTTI I COLLEGAMENTI ELETTRICI DEVONO ESSERE EFFETTUATI DA UN ELETTRICISTA PROFESSIONISTA.

NOTA: L'IMPIANTO ELETTRICO DEVE ESSERE PROTETTO DA UN INTERRUTTORE DIFFERENZIALE.

NOTA: SE SONO PRESENTI DUE O PIÙ VENTILATORI A SOFFITTO CC NELLO STESSO LUOGO, È NECESSARIO DOTARE CIASCUN VENTILATORE DI UN INTERRUTTORE DI ISOLAMENTO PER GARANTIRE UN CORRETTO ABBINAMENTO DEL TELECOMANDO CON IL RICEVITORE.

Dall'impianto elettrico alla morsettiera sulla staffa di supporto (Fig. 7)

1. Collegare il cavo di fase al terminale "L" della morsettiera sulla staffa di supporto.
2. Collegare il cavo di neutro al terminale "N" della morsettiera sulla staffa di supporto.
3. Collegare il cavo di terra al terminale di terra della morsettiera sulla staffa di supporto.

Dalla staffa di supporto al ricevitore e al motore (Fig. 7)

Collegare il connettore rapido dei cavi di alimentazione dalla staffa di supporto al connettore rapido dell'unità di controllo del ventilatore. (Fig. 7)

Collegare il connettore rapido dei cavi di uscita dall'unità di controllo del ventilatore al connettore rapido del ventilatore. (Fig. 7)

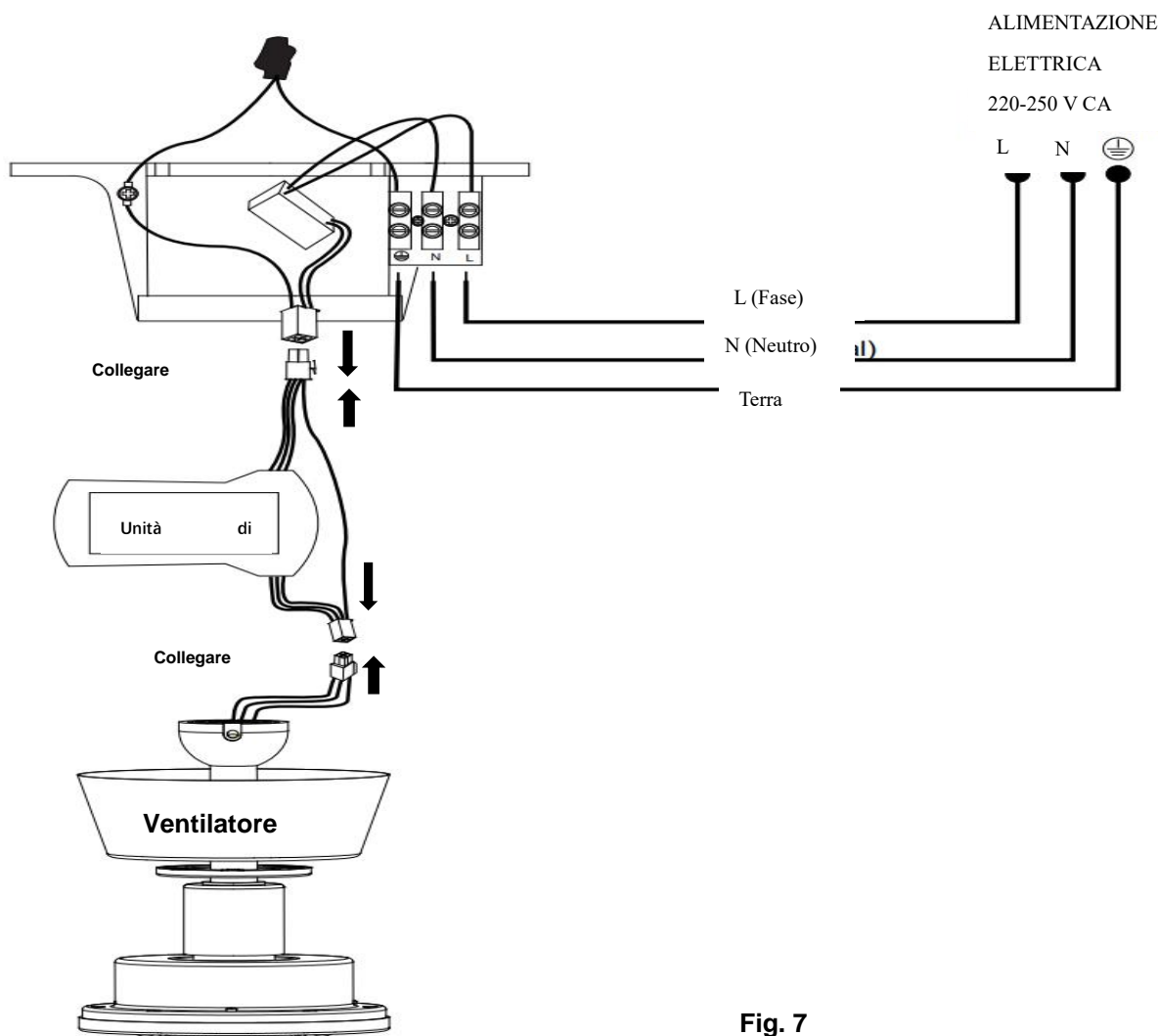


Fig. 7



Inserire con attenzione il ricevitore sopra il giunto sferico, nello spazio rimanente all'interno della staffa di supporto. Fare attenzione a non danneggiare o allentare alcun cavo (Fig. 8).

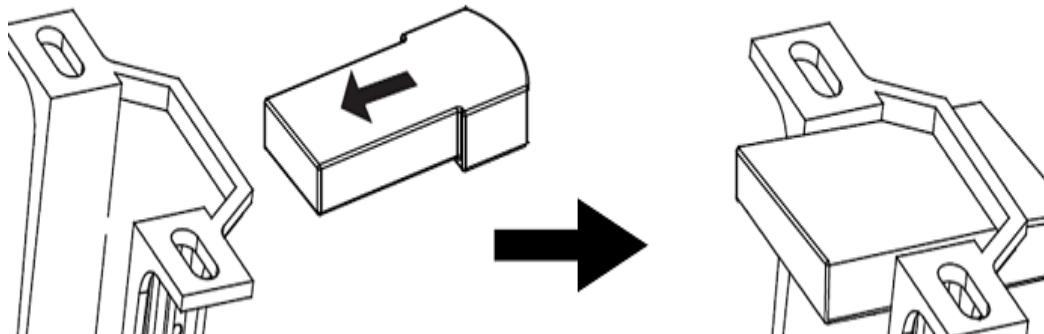


Fig. 8

TERMINE DELL'INSTALLAZIONE

NOTA: assicurarsi che il cavo di terra sia fissato saldamente e in modo corretto effettuando un test di continuità dal corpo metallico accessibile del ventilatore verso il terminale di terra sulla morsetteria nella staffa di supporto.

INSTALLAZIONE DELLA CALOTTA (Fig. 9)

1. Allentare le 2 viti sulla parte inferiore della staffa di supporto
2. Fare scorrere la calotta sulla staffa di supporto e allineare le fessure sulla calotta con le viti sulla staffa di supporto. Ruotare la calotta finché non si blocca in posizione con l'estremità sottile delle fessure, quindi fissarla serrando le due viti. Fare attenzione a non danneggiare i collegamenti elettrici effettuati in precedenza.
3. Fare scorrere la copertura della calotta verso l'alto sulla calotta.

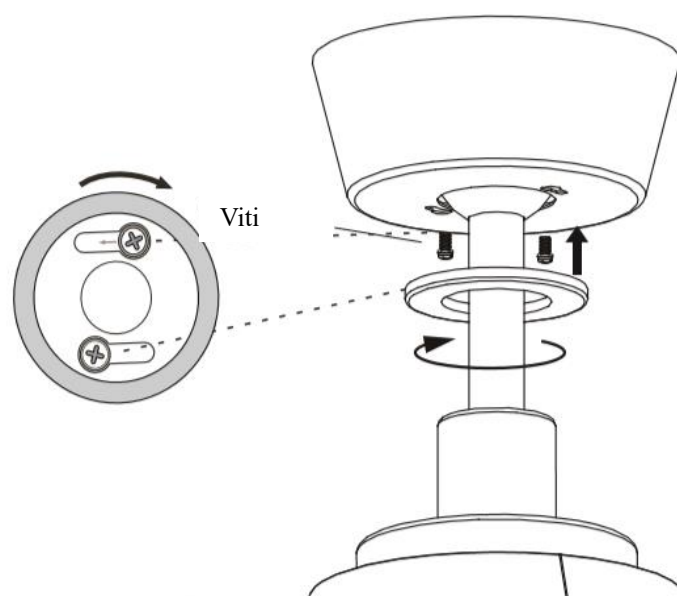


Fig. 9



INSTALLAZIONE DEL SUPPORTO PER TELECOMANDO (Fig. 10)

1. Fissare il supporto per telecomando a una parete adatta con le 2 viti (Fig. 10a).
2. Fare scorrere il telecomando all'interno del supporto (Fig. 10b).

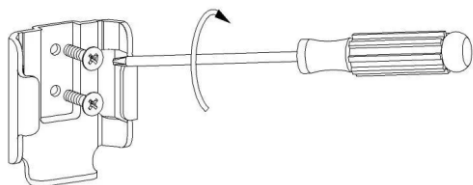


Fig. 10a



Fig. 10b

UTILIZZO DEL VENTILATORE

NOTA: dopo aver installato il ventilatore, è necessario abbinare il telecomando al ricevitore.
NOTA: se sono presenti due o più ventilatori a soffitto nello stesso luogo, consultare le istruzioni alla pagina successiva.

INSTALLAZIONE DELLA BATTERIA (Fig. 11)

1. Allentare la vite del coperchio del vano batteria.
2. Inserire una batteria a bottone CR2032 nel vano batteria. Inserire la batteria rispettando la corretta polarità.
3. Riposizionare il coperchio del vano batteria e fissarlo con la vite.

Inserire una batteria CR2032 da 3 V nel vano batteria del telecomando. Assicurarsi che la polarità della batteria sia corretta (Fig. 11).

Assicurarsi che la polarità della batteria sia corretta.

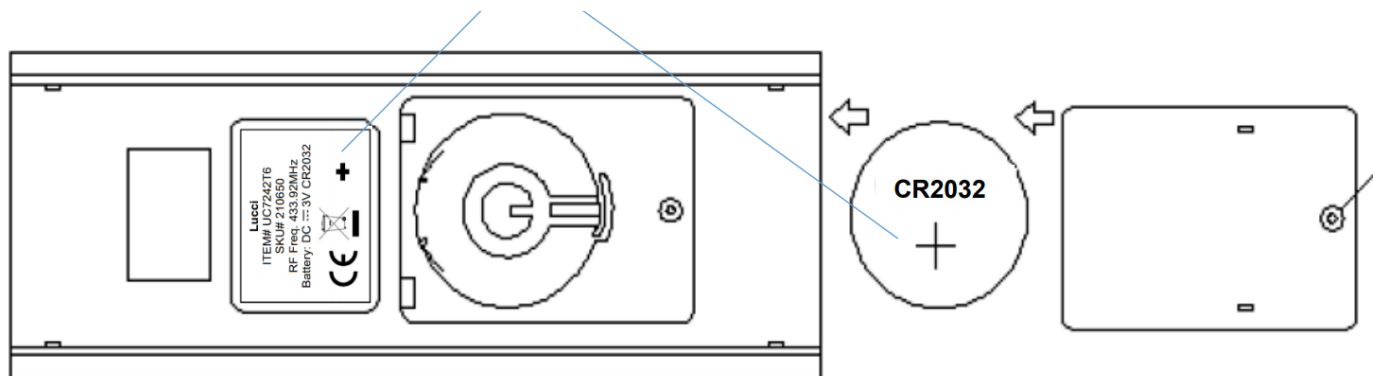



Fig. 11

ABBINAMENTO DEL TELECOMANDO AL RICEVITORE – SE È PRESENTE UN SOLO VENTILATORE A SOFFITTO



NOTA: assicurarsi che l'impianto elettrico che alimenta il ventilatore sia protetto da un interruttore differenziale unipolare.

NOTA: assicurarsi che il ricevitore sia acceso prima di iniziare la procedura di abbinamento.

- Disattivare l'alimentazione del ventilatore.
- Inserire una batteria CR2032 da 3 V nel vano batteria del telecomando. Assicurarsi che la polarità della batteria sia corretta.
- Attivare l'alimentazione del ricevitore.
- Tenere premuto il pulsante  sul telecomando per 3-5 secondi entro 30 secondi dall'accensione del ricevitore del ventilatore. Durante il processo, l'indicatore luminoso lampeggerà lentamente.
- Accendere il ventilatore e modificare la velocità usando il telecomando per verificare che l'abbinamento sia avvenuto correttamente.
- In caso contrario, ripetere i passaggi di abbinamento.


ABBINAMENTO DEL TELECOMANDO AL RICEVITORE – SE SONO PRESENTI DUE O PIÙ VENTILATORI A SOFFITTO

Se due o più ventilatori sono installati in prossimità, il telecomando/ricevitore di ciascun ventilatore devono essere abbinati individualmente, affinché il funzionamento di un ventilatore non interferisca con l'altro.

NOTA: assicurarsi che l'impianto elettrico che alimenta ciascun ventilatore sia protetto da un interruttore differenziale unipolare.

NOTA: assicurarsi che il ricevitore sia acceso prima di iniziare la procedura di abbinamento.


Abbinamento tra telecomando/ricevitore del ventilatore 1

- Disattivare l'alimentazione di tutti i ventilatori.
- Inserire una batteria CR2032 da 3 V nel vano batteria del telecomando. Assicurarsi che la polarità della batteria sia corretta (Fig. 11).
- Attivare l'alimentazione del ricevitore 1. Mantenere disattivata l'alimentazione del ricevitore 2. (Ciascun ventilatore deve essere dotato del proprio interruttore di isolamento, affinché sia acceso esclusivamente il ventilatore da abbinare al telecomando).
- Tenere premuto il pulsante  sul **telecomando 1** per 3-5 secondi entro 30 secondi dall'accensione del ricevitore del ventilatore 1. Durante il processo, l'indicatore luminoso lampeggerà lentamente.
- Accendere il ventilatore 1 e modificare la velocità usando il telecomando per verificare che l'abbinamento sia avvenuto correttamente.
- In caso contrario, ripetere i passaggi di abbinamento.

Abbinamento tra telecomando/ricevitore del ventilatore 2

- Disattivare l'alimentazione di tutti i ventilatori.
- Inserire una batteria CR2032 da 3 V nel vano batteria del telecomando. Assicurarsi che la polarità della batteria sia corretta (Fig. 11).
- Attivare l'alimentazione del ricevitore 2. Mantenere disattivata l'alimentazione del ricevitore 1. (Ciascun ventilatore deve essere dotato del proprio interruttore di isolamento, affinché sia acceso esclusivamente il ventilatore da abbinare al telecomando).



- Tenere premuto il pulsante  sul **telecomando 2** per 3-5 secondi entro 30 secondi dall'accensione del ricevitore del ventilatore 2.
Durante il processo, l'indicatore luminoso lampeggerà lentamente.
- Accendere il ventilatore 2 e modificare la velocità usando il telecomando per verificare che l'abbinamento sia avvenuto correttamente.
- In caso contrario, ripetere i passaggi di abbinamento.

RIPRISTINO DEL TELECOMANDO

Se si desidera ripristinare il telecomando affinché sia abbinato con tutti i ricevitori, tenere premuto il pulsante

 per 15 secondi. Durante il processo, l'indicatore luminoso lampeggerà rapidamente.

PULSANTI DEL TELECOMANDO

Prima di iniziare a usare il telecomando, leggere attentamente questa sezione e familiarizzarsi con i pulsanti e le loro funzioni (Fig. 12).

1 - INDICATORE LUMINOSO

L'indicatore luminoso rosso sulla parte superiore lampeggia di rosso quando i pulsanti sono attivi.

2 - PULSANTE DI SPEGNIMENTO

Premere questo pulsante per spegnere il ventilatore.

3 - PULSANTE DI CONTROLLO DELLA VELOCITÀ

Sono disponibili 6 velocità. Il pulsante **1** indica la velocità minima, e il pulsante **6** la velocità massima.

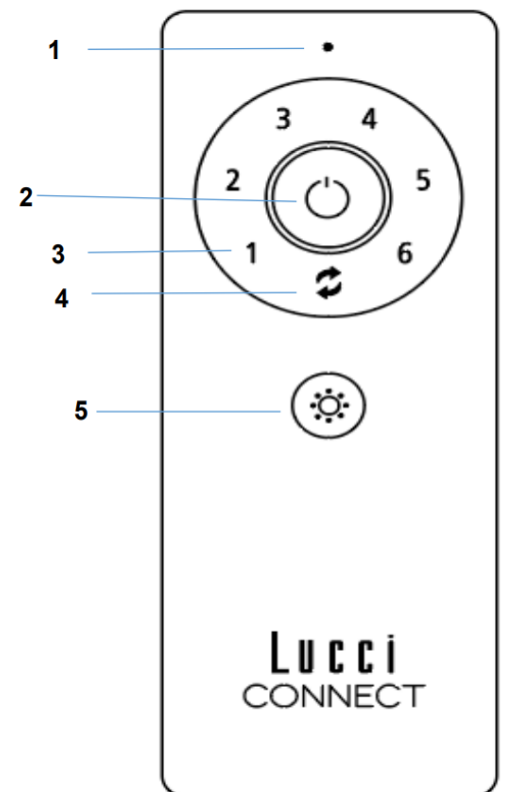
NOTA: alla prima accensione del ventilatore è necessario avviare il ventilatore alla massima velocità (**6**) e selezionare una velocità inferiore in seguito. È necessario attendere 5-10 secondi affinché il ventilatore cambi la velocità o la direzione di rotazione dopo aver premuto i rispettivi pulsanti.

4 - PULSANTE DI INVERSIONE

Premere questo pulsante per invertire la direzione di rotazione delle pale. Il ventilatore deve essere in funzione per attivare l'inversione.

5 - PULSANTE DI CONTROLLO DELLA LUCE (il ventilatore Moto non è dotato di luce)

Premere questo pulsante per accendere o spegnere la luce.



NUOVO ABBINAMENTO DEL TELECOMANDO AL RICEVITORE – SE È PRESENTE UN SOLO VENTILATORE A SOFFITTO

- Se il telecomando e il ricevitore si scollegano durante l'installazione o l'utilizzo, è necessario abbinarli nuovamente.



- Di seguito sono elencati i sintomi dello scollegamento e i passaggi per effettuare nuovamente l'abbinamento.

Sintomi

- Perdita di controllo: il ventilatore funziona esclusivamente alla massima velocità dopo l'installazione.
- Perdita di controllo: non è possibile attivare la funzione di inversione della rotazione dopo l'installazione.
- Perdita di controllo: il telecomando non comunica con il ricevitore.

Procedura di abbinamento

- Disattivare l'alimentazione del ventilatore per 30 secondi.
- Attivare l'alimentazione elettrica del ventilatore. Seguire la procedura descritta alla sezione "Abbinamento del telecomando al ricevitore" per effettuare l'abbinamento.
- Accendere il ventilatore e modificare la velocità per verificare che funzioni correttamente.

DOPO L'INSTALLAZIONE

NOTA: i ventilatori a soffitto tendono a muoversi durante il funzionamento perché sono fissati a una rondella in gomma. Se il ventilatore è fissato rigidamente al soffitto vibrerà in modo eccessivo. Un movimento di pochi centimetri è normale e NON è sintomo di alcun malfunzionamento.

PER RIDURRE LE VIBRAZIONI DEL VENTILATORE: controllare che le tutte le viti che fissano la staffa di supporto e l'asta siano avvitate saldamente.

KIT DI BILANCIAMENTO: il kit di bilanciamento incluso serve per bilanciare il ventilatore a soffitto durante l'installazione iniziale. Consultare le istruzioni per l'uso del kit di bilanciamento. Il kit di bilanciamento può essere usato per bilanciare nuovamente il ventilatore a soffitto in futuro. Conservare il kit di bilanciamento dopo l'installazione per uso futuro.

RUMOROSITÀ

Quando l'ambiente è silenzioso (in particolare durante le ore notturne), il ventilatore potrebbe produrre occasionalmente dei leggeri rumori. Leggere fluttuazioni dell'alimentazione elettrica e segnali elettrici di frequenza sovrapposti per il controllo dell'acqua calda nelle fasce orarie ridotte possono causare variazioni nel rumore del motore del ventilatore. È un fenomeno normale. La maggior parte dei rumori associati a un nuovo ventilatore scomparirà entro un periodo di assestamento di 24 ore.

La garanzia del produttore copre difetti reali e NON disturbi minori come il rumore del motore in funzione; tutti i motori elettrici producono rumore in una certa misura.

PULIZIA E MANUTENZIONE

NOTA: DISATTIVARE sempre l'alimentazione elettrica prima di effettuare le operazioni di pulizia e manutenzione sul ventilatore.

- La pulizia periodica del ventilatore ogni 6 mesi è l'unica operazione di manutenzione necessaria. Utilizzare una spazzola morbida o un panno privo di pelucchi per evitare di graffiare la finitura. Disattivare l'alimentazione elettrica prima della pulizia.
- Non immergere il ventilatore in acqua o altri liquidi per evitare danni al motore o alle pale e il rischio di scossa elettrica.



- Assicurarsi che il ventilatore non entri a contatto con detersivi o solventi organici.
- Per pulire le pale del ventilatore, usare esclusivamente un panno pulito e umido **SENZA** detersivi o solventi organici.
- Il motore contiene un cuscinetto permanentemente lubrificato, quindi non è necessario aggiungere lubrificante.

AVVERTENZE DI SICUREZZA RELATIVE ALLE BATTERIE

- **AVVERTENZA!** Conservare le batterie nuove e scariche fuori dalla portata dei bambini.
- **ATTENZIONE!** Non ingerire la batteria. Rischio di ustioni chimiche.
- Utilizzare esclusivamente una batteria CR2032 da 3 V per alimentare il telecomando di questo ventilatore.
- Inserire le batterie rispettando la corretta polarità.
- Per evitare l'attivazione involontaria del ventilatore durante l'inserimento o la sostituzione delle batterie, il ventilatore deve essere scollegato dalla rete elettrica.
- Rimuovere le batterie dal prodotto in previsione di un lungo periodo di inutilizzo.
- Rimuovere le batterie dal telecomando prima di smaltirlo.
- Smaltire le batterie scariche immediatamente e in modo sicuro (affinché non possano essere usate dai bambini). Le batterie scariche possono essere pericolose. Contattare le autorità locali per informazioni sullo smaltimento sicuro delle batterie.
- Ispezionare regolarmente il prodotto e assicurarsi che il coperchio del vano batterie sia chiuso saldamente. Se il vano batterie non si chiude saldamente, non usare il prodotto e tenerlo fuori dalla portata dei bambini.
- Se si teme che le batterie siano state ingerite o siano penetrate all'interno del corpo, contattare immediatamente un medico. Se si ritiene che le batterie siano state ingerite o siano penetrate all'interno del corpo del bambino, contattare immediatamente il centro antiveleni locale.
- Perdite di elettrolita: le batterie contengono elettroliti, pertanto devono essere trattate come sostanze chimiche a tutti gli effetti. Prestare attenzione durante la manipolazione di batterie che presentano perdite. Tenere l'elettrolita lontano dagli occhi e non ingerirlo. Contattare il centro antiveleni locale.

SPECIFICHE TECNICHE

Ventilatore	Ventilatore CC da 52" - MOTO
Modelli di ventilatore	LD-MOTO-52 / SKU# 210650, 210651, 210652, 210653
Tensione nominale	220-240 V~ 50 Hz
Potenza nominale (motore)	30 W
Potenza nominale (lampada)	N/A
Batteria del telecomando	CR2032 da 3 V (non incluse)
Peso	3,7 kg
Dimensioni della calotta	Altezza: 50 mm Diametro: 146 mm

INFORMAZIONI SULLA GARANZIA

IN EUROPA – Gli acquirenti europei possono contattare il punto vendita per eventuali richieste di intervento in garanzia.



This fan is suitable for indoor and alfresco areas where the fan is fully undercover with a minimum of 2 walls. This fan is not waterproof. When installed in an alfresco area, the ceiling fan must be positioned in a location protected from water, wind, dust and salt. Exposure to these elements will void the warranty. Mounting the fan in a situation where it is subject to water or moisture is dangerous.



BEDANKT VOOR UW AANKOOP

Bedankt voor de aankoop van de nieuwste energiebesparende plafondventilator. Deze ventilator werkt op gelijkstroom wat het voordeel heeft dat het apparaat bijzonder energiezuinig is met behoud van een hoog luchtvolume en een geruisloze werking.

Energiezuinig - De DC-motor is de nieuwste technologie op het gebied van ventilatorontwerp. De zeer efficiënte motor bespaart tot 65% energie in vergelijking met plafondventilators met traditionele wisselstroommotoren.

Stille werking - Deze DC-ventilatormotor werkt op een gestabiliseerde stroom die het motorgeluid efficiënt vermindert.


Lage bedrijfstemperatuur - De gelijkstroomvoeding zorgt ervoor dat de bedrijfstemperatuur van de motor niet hoger wordt dan 50°C. Dit resulteert in een veel koelere motor dan een standaard wisselstroomventilator en verhoogt bovendien de levensduur van de motor.

Afstandsbediening met 6 snelheden - Gewone AC-plafondventilators worden gewoonlijk geleverd met slechts 3 snelheden. Deze DC-ventilator heeft 6 snelheden en een afstandsbediening voor een grotere keuze aan comfort.

VEILIGHEIDSMATREGELEN

1. Dit apparaat kan worden gebruikt door kinderen vanaf 8 jaar en personen met verminderde fysieke, zintuiglijke of mentale vermogens of een gebrek aan ervaring en kennis, indien zij onder toezicht staan of instructies hebben gekregen over het veilige gebruik van het apparaat en als zij de gevaren ervan begrijpen. Reiniging en onderhoud mag zonder toezicht niet door kinderen worden uitgevoerd.
2. Kinderen moeten onder toezicht staan om er zeker van te zijn dat ze niet met het apparaat spelen.
3. Zorg dat de ventilator wordt aangesloten op een schakelaar waarbij alle polen worden onderbroken en volg de plaatselijke bedradingsvoorschriften.



4.  Gooi elektrische apparaten niet weg als ongesorteerd huishoudelijk afval. Maak gebruik van aparte inzamelingsfaciliteiten voor elektrische apparatuur. Neem contact op met uw gemeente voor informatie over de beschikbare inzamelingssystemen. Als elektrische apparaten op stortplaatsen terechtkomen, kunnen gevaarlijke stoffen in het grondwater lekken en in de voedselketen terechtkomen, wat schadelijk is voor uw gezondheid en welzijn.
5. De constructie waarop de ventilator wordt gemonteerd moet een gewicht van 15 kg kunnen dragen.
6. De ventilator moet zo worden gemonteerd dat de ventilatorbladen zich minstens 2,3 m boven de vloer bevinden.
7. Deze ventilator is geschikt voor binnen- en buitenruimtes waar de ventilator niet blootgesteld is aan regen en vocht en in een ruimte met minimaal 2 wanden. Deze ventilator is niet waterdicht. Wanneer deze plafondventilator buitenshuis (terras) wordt geïnstalleerd, kies dan voor een locatie die tegen water, wind



en stof is beschermd. Blootstelling aan deze elementen zal de garantie ongeldig maken. De ventilator op een plaats monteren waar deze aan water of vocht onderhevig is, is gevaarlijk en kan het risico op schade, letsel of elektrische schokken vergroten en zal de garantie ongeldig maken.

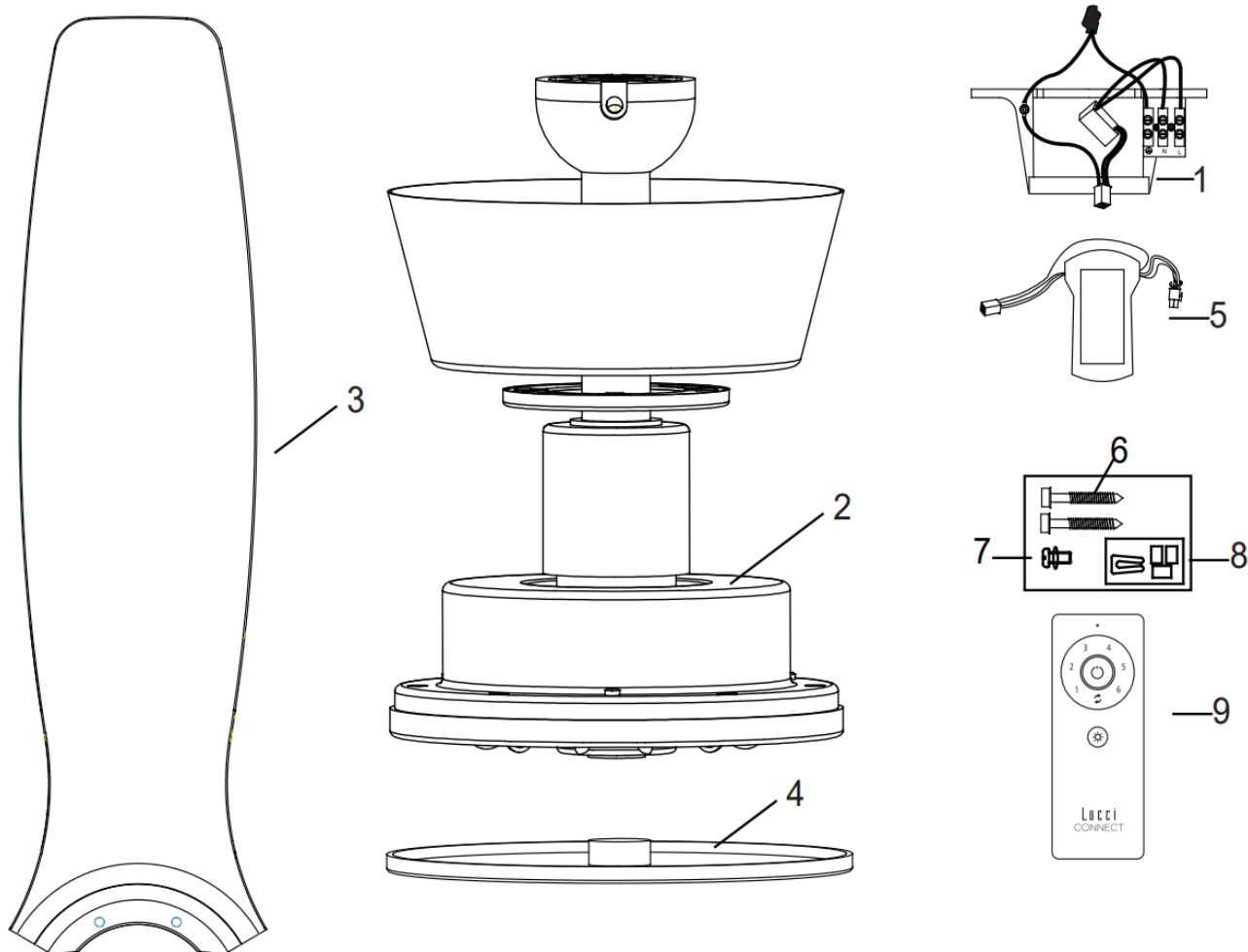
8. Het apparaat moet worden gemonteerd en geïnstalleerd door een erkend elektricien.
9. **WAARSCHUWING:** Bij ongewone trillingen of oscillerende bewegingen moet het gebruik van de plafondventilator onmiddellijk worden gestaakt en moet contact worden opgenomen met de fabrikant, een servicetechnicus of een daartoe bevoegde persoon.
10. De vervanging van onderdelen van de veiligheidsophanging moet worden uitgevoerd door de fabrikant, een servicetechnicus of een daartoe bevoegde persoon.
11. De bevestigingsmiddelen voor het plafond, zoals haken of andere onderdelen, moeten voldoende stevig worden bevestigd om 4 maal het gewicht van de plafondventilator te kunnen weerstaan; de montage van het ophangstelsel moet worden uitgevoerd door de fabrikant, een servicetechnicus of een daartoe bevoegde persoon.



This fan is suitable for indoor and alfresco areas where the fan is fully undercover with a minimum of 2 walls. This fan is not waterproof. When installed in an alfresco area, the ceiling fan must be positioned in a location protected from water, wind, dust and salt. Exposure to these elements will void the warranty. Mounting the fan in a situation where it is subject to water or moisture is dangerous.

ONDERDELENLIJST

- Pak de plafondventilator voorzichtig uit. Verwijder alle onderdelen en hardware.
- Leg alle onderdelen op een vlakke ondergrond en controleer of alle noodzakelijke onderdelen aanwezig zijn. Als er onderdelen ontbreken, stuur het volledige product terug naar de plaats van aankoop voor inspectie of vervanging.
- Controleer of de plafondventilator tijdens het transport is beschadigd. Bedien/installeer geen product dat op welke wijze dan ook beschadigd lijkt te zijn. Stuur het beschadigde product terug naar de plaats van aankoop voor inspectie of vervanging.
- Bestudeer alle onderdelen. U zou het volgende moeten hebben:



Afb. 1

1	Montagebeugel x 1	6	Montageschroef x 2
2	Ventilatoreenheid x1	7	Reservebladschroef x1
3	Bladen x 3	8	Balanceringsset x 1
4	Onderplaat x 1	9	Afstandsbediening x 1
5	Ventilatorregeleenheid x 1		



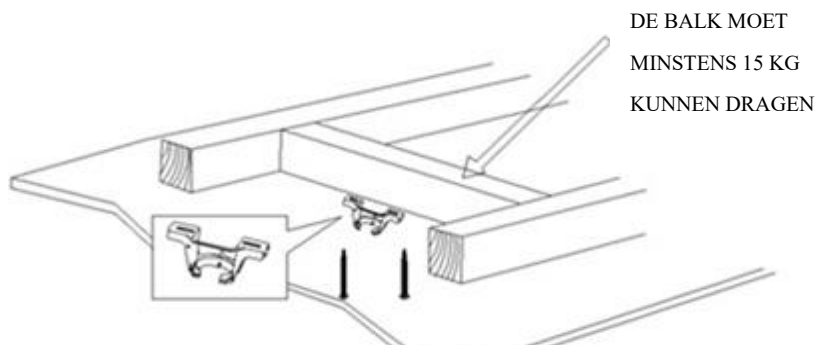
DE VENTILATOR INSTALLEREN

VEREIST GEREEDSCHAP:

- Kruiskopschroevendraaier / platkopschroevendraaier
- Tang
- Verstelbare moersleutel
- Ladder
- Draadsnijder
- Bedrading, voedingskabel zoals vereist door de lokale en nationale bedradingsnormen en voorschriften

DE MONTAGEBEUGEL INSTALLEREN

- De plafondventilator moet zodanig worden geïnstalleerd dat het uiteinde van de bladen minstens 300 mm verwijderd is van het dichtstbijzijnde object of de muur.
- Monteer de ophangbeugel met de twee lange meegeleverde schroeven aan een plafondbalk of een stevig punt aan het plafond dat minstens 15 kg kan dragen. Zorg ervoor dat ten minste 30 mm van de schroef in de plafondbalk of in het plafond wordt gedraaid. (Afb. 2)



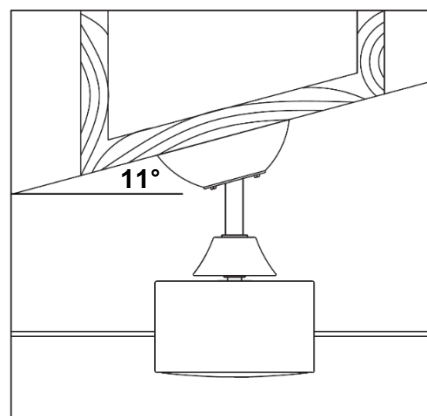
OPMERKING: DEZE AFBEELDING DIEN ALLEEN TER REFERENTIE, HET IS GEEN WERKELIJKE VOORSTELLING VAN DE BEUGEL.

Afb. 2

OPMERKING: De meegeleverde beugelschroeven zijn alleen voor gebruik met houten constructies. Voor andere constructies dan hout moet het juiste schroeftype en eventueel pluggen worden gebruikt. Controleer of de gebruikte schroeven geschikt zijn voor het montageoppervlak.

PLAATSING ONDER EEN HOEK

Dit ventilatorophangstelsel ondersteunt een plaatsing onder een hoek van maximaal 11 graden. (Afb. 3)

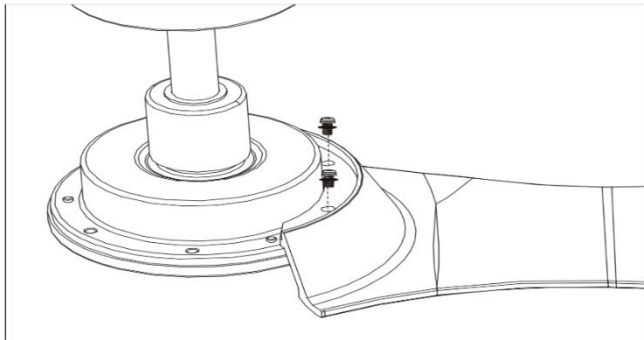


Afb. 3



INSTALLATIE VAN DE BLADEN (Afb. 4)

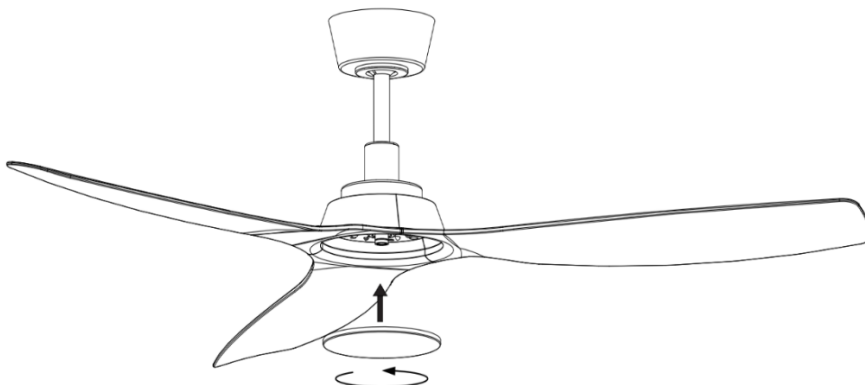
1. Voor het installeren van de ventilatorbladen, verwijder de bladschroeven uit de bovenkant van de ventilatormotor.
2. Breng de 2 gaten op het ventilatorblad op één lijn met de 2 gaten van de ventilatormotor.
3. Gebruik de 2 bladschroeven van stap 1 om het ventilatorblad aan de ventilatormotor te bevestigen. Zorg dat de schroeven gelijkmatig zijn vastgedraaid om de kans op vervorming of niet in evenwicht te beperken. Let erop dat u de schroeven niet te vastdraait, omdat dit de bladen kan beschadigen.
4. Herhaal dit voor de andere bladen.



Afb. 4

INSTALLATIE VAN DE ONDERPLAAT (Afb. 5)

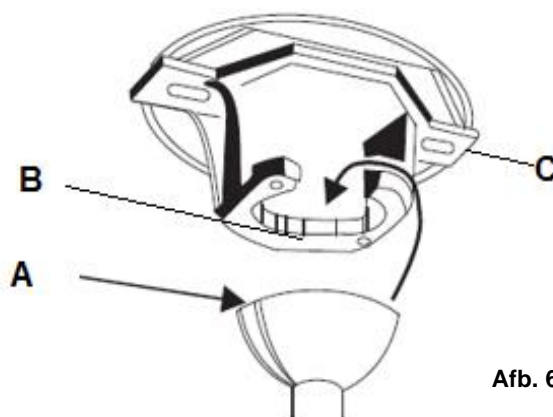
- Monteer de onderplaat op de ventilatoreenheid en maak vast door het met de klok mee te draaien.



Afb. 5

DE VENTILATOR OPHANGEN

Plaats de ventilatoreenheid op de montagebeugel. Zorg ervoor dat de gleuf (A) van de ophangkogel op de pen (B) van de montagebeugel (C) is geplaatst om te voorkomen dat de ventilator tijdens het gebruik tegendraait. (Afb. 6)



Afb. 6



ELEKTRISCH BEDRADINGSSHEMA VAN DE VENTILATOR**DE ELEKTRISCHE BEDRADING VOORBEREIDEN --- BEDRADINGSSHEMA (AFB. 7)**

WAARSCHUWING: VOOR UW VEILIGHEID MOETEN ALLE ELEKTRISCHE AANSLUITINGEN WORDEN UITGEVOERD DOOR EEN ERKEND ELEKTRICIEN.

OPMERKING: IN DE VASTE BEDRADING MOET EEN EXTRA MEERPOLIGE SCHEIDINGSSCHAKELAAR WORDEN OPGENOMEN.

OPMERKING: ALS ER TWEE OF MEER GELIJKSTROOM-PLAFONDVENTILATORS OP ÉÉN LOCATIE ZIJN GEÏNSTALLEERD, IS EEN SCHEIDINGSSCHAKELAAR VEREIST VOOR ELKE PLAFONDVENTILATOR. DIT IS NODIG BIJ HET PROGRAMMEREN VAN DE AFSTANDSBEDIENING EN DE ONTVANGER.

Van netvoeding tot montagebeugel-klemmenblok: (Afb. 7)

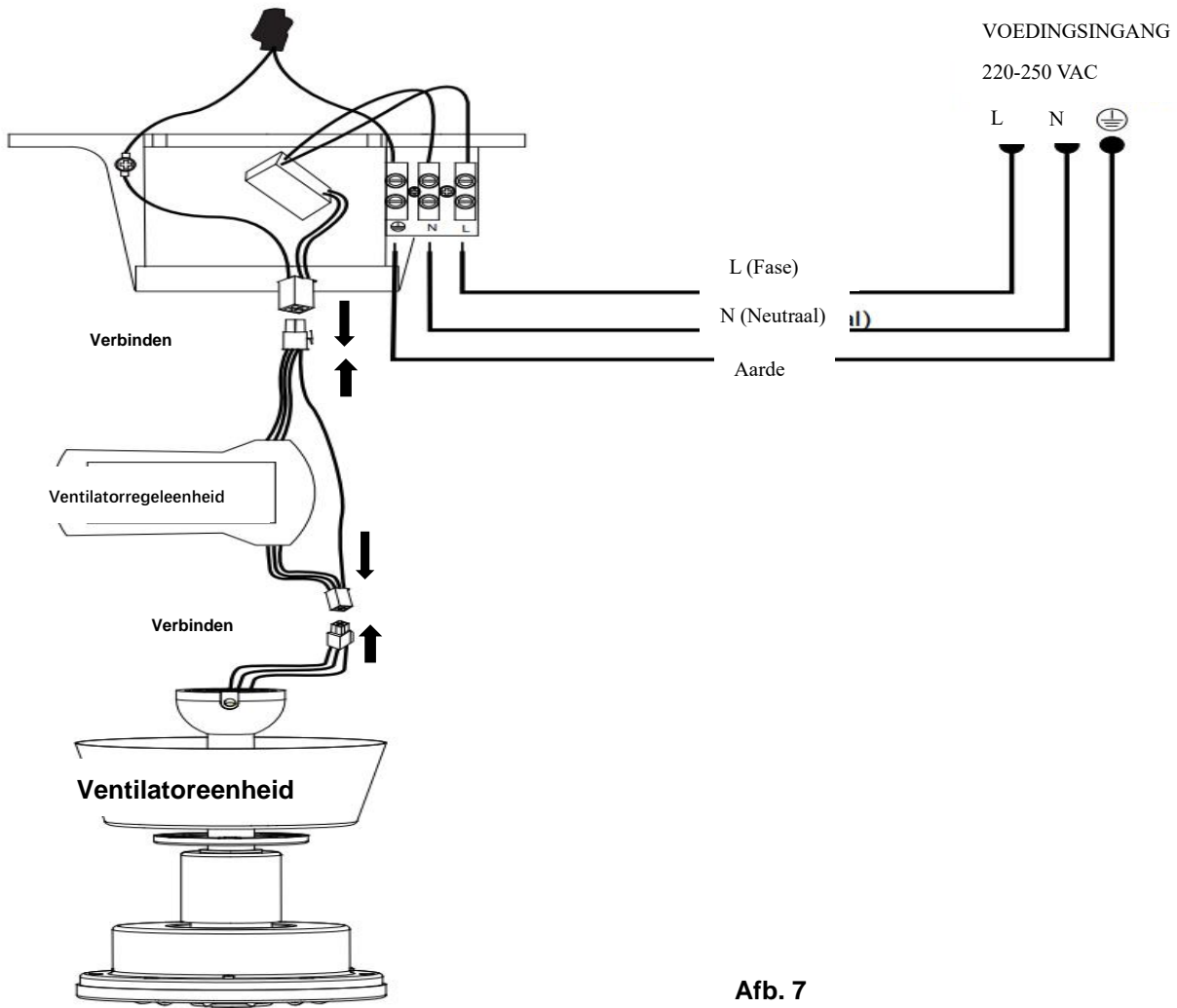
1. Sluit de fasedraad aan op de "L"-klem van het klemmenblok op de montagebeugel.
2. Sluit de neutrale draad aan op de "N"-klem van het klemmenblok op de montagebeugel.
3. Sluit de aardedraad aan op de aardeklem van het klemmenblok op de montagebeugel.

Van montagebeugel tot ontvanger en motor: (Afb. 7)

Sluit de snelkoppeling van de voedingsdraden van de montagebeugel aan op de ingangssnelkoppeling van de ventilatorregeleenheid. **(Afb. 7)**

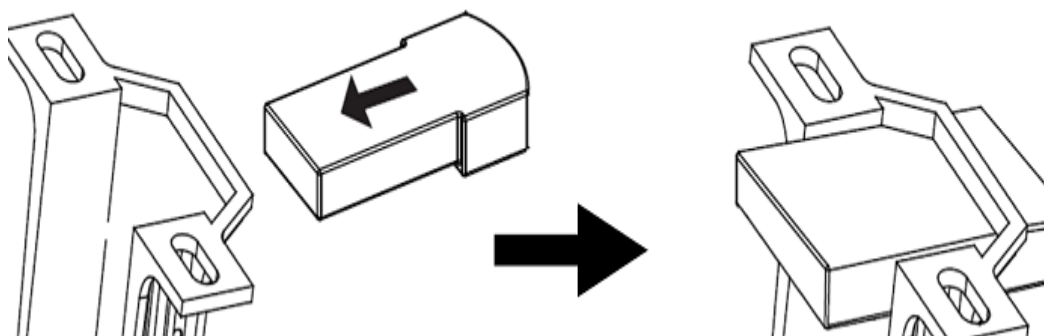
Sluit de snelkoppeling van de uitgangdraden van de ventilatorregeleenheid aan op de snelkoppeling van de ingangdraden van de ventilatoreenheid **(Afb. 7)**





Afb. 7

Breng de ontvanger voorzichtig boven de ophangkogel in de daarvoor voorziene ruimte in de montagebeugel aan. Zorg dat de bedrading niet wordt beschadigd of los komt. (Afb. 8).



Afb. 8



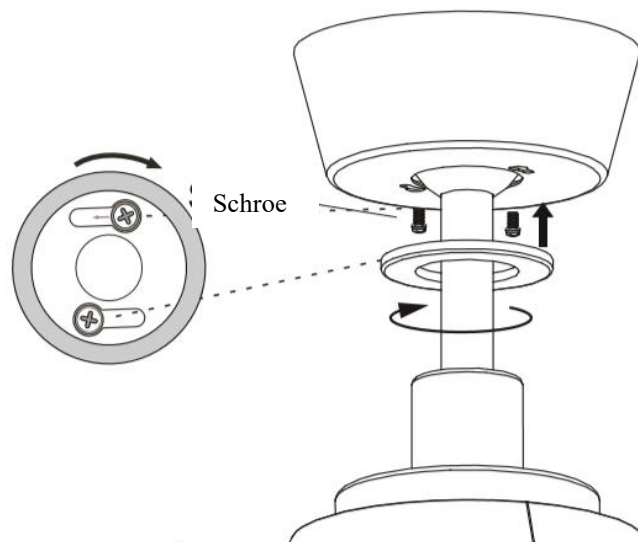
This fan is suitable for indoor and alfresco areas where the fan is fully undercover with a minimum of 2 walls. This fan is not waterproof. When installed in an alfresco area, the ceiling fan must be positioned in a location protected from water, wind, dust and salt. Exposure to these elements will void the warranty. Mounting the fan in a situation where it is subject to water or moisture is dangerous.

DE INSTALLATIE VOLTOOIEN

OPMERKING: Zorg ervoor dat de aardebedrading veilig en correct is, door een aardingscontinuïteitstest uit te voeren vanaf de metalen behuizing van de ventilator tot aan de aardklem op het aansluitblok van de montagebeugel.

INSTALLATIE VAN DE OVERKAPPING (Afb. 9)

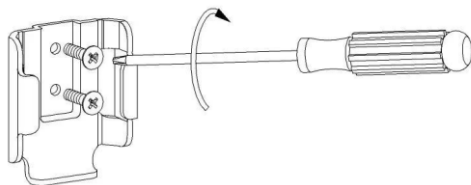
1. Draai de 2 schroeven aan de onderkant van de montagebeugel los.
2. Schuif de overkapping tot aan de montagebeugel en lijn de gaten op de overkapping uit met de schroeven op de montagebeugel. Draai de overkapping tot deze vastklikt met het smalle gedeelte van de gaten en zet deze vast door de twee schroeven aan te draaien. Zorg dat de elektrische bedrading niet wordt beschadigd.
3. Schuif de afdekkap over de overkapping.



Afb. 9

DE HOUDER VOOR DE AFSTANDSBEDIENING INSTALLEREN (Afb. 10)

1. Zoek een gepaste muur of oppervlak om de houder voor de afstandsbevestiging aan vast te maken met de 2 schroeven. (Afb. 10a)
2. Schuif de afstandsbediening in de houder. (Afb. 10b)



Afb. 10a



Afb. 10b



UW PLAFONDVENTILATOR GEBRUIKEN

OPMERKING: De afstandsbediening en de ontvanger moeten na de installatie van de plafondventilator worden gekoppeld.

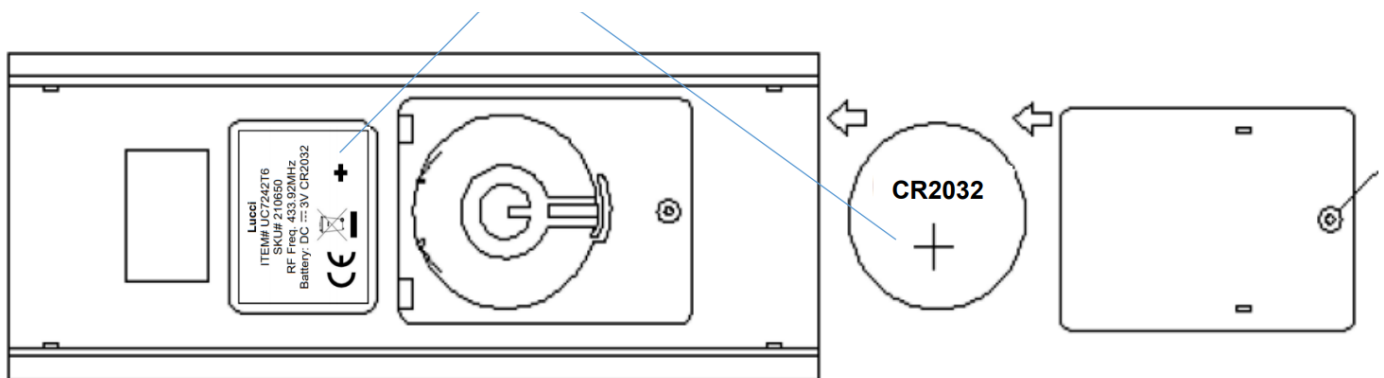
OPMERKING: Wanneer twee of meer plafondventilators op één plaats worden geïnstalleerd, raadpleeg dan de instructies op de volgende pagina.

INSTALLATIE VAN DE BATTERIJEN (Afb.11)

1. Draai de schroef van het batterijdeksel los.
2. Installeer de CR2032-knoopcelbatterij in het vak. Zorg ervoor dat de batterij volgens de juiste polariteit is geplaatst.
3. Breng het batterijdeksel opnieuw op de afstandsbediening aan en zet vast met de schroef.

Installeer de 3V CR2032-batterij in het compartiment. Zorg ervoor dat de polariteit van de batterij correct is. (Afb. 11)

Zorg ervoor dat de polariteit van de batterij correct is.



Afb. 11

KOPPELEN AFSTANDSBEDIENING EN ONTVANGER - WANNEER 1 DC PLAFONDVENTILATOR OP ÉÉN PLAATS IS GEÏNSTALLEERD

OPMERKING: Zorg ervoor dat u een enkelpolige schakelaar hebt geïnstalleerd in de vaste bedrading van de ventilator.

OPMERKING: Zorg ervoor dat de stroomtoevoer naar de ontvanger AAN is voordat u de afstandsbediening aan de ontvanger koppelt.

- Schakel de netvoeding van de ventilator uit met een aan/uit-wandschakelaar.
- Installeer de 3V CR2032-batterij in de afstandsbediening. Zorg ervoor dat de polariteit van de batterij correct is.
- Schakel de stroomtoevoer naar de ontvanger in.



- Druk en houd de "⏻" knop op de afstandsbediening 3-5 seconden ingedrukt binnen 30 seconden na het inschakelen van de ontvanger van de plafondventilator. Het controlelampje zal tijdens het proces langzaam knipperen.
- Schakel de plafondventilator in en wijzig de snelheid met behulp van de afstandsbediening om de juiste werking en koppeling te controleren.
- Als het koppelen niet lukt, herhaal dan deze stappen.

KOPPELEN AFSTANDSBEDIENING EN ONTVANGER - WANNEER 2 DC-PLAFONDVENTILATORS OP ÉÉN PLAATS ZIJN GEÏNSTALLEERD

Wanneer twee of meer ventilators in de buurt van elkaar zijn geplaatst, kunt u de afstandsbediening/ontvanger voor elke ventilator op een andere code laten instellen, zodat de werking van de ene ventilator geen invloed heeft op de werking van de andere ventilator.

OPMERKING: Zorg ervoor dat u een enkelpolige schakelaar hebt geïnstalleerd in de vaste bedrading van elke ventilator.

OPMERKING: Zorg ervoor dat de stroomtoevoer naar de ontvanger AAN is voordat u de afstandsbediening aan de ontvanger koppelt.

Afstandsbediening/ontvanger voor plafondventilator 1:

- Schakel de netvoeding van de ontvangers van beide plafondventilators 1 en 2 uit.
- Installeer de 3V CR2032-batterij in het compartiment. Zorg ervoor dat de polariteit van de batterij correct is. (Afb. 11)
- Schakel de stroomtoevoer naar ontvanger 1 in. Houd de stroom naar ontvanger 2 uitgeschakeld. (Elke plafondventilator moet een eigen scheidingsschakelaar hebben, zodat alleen de plafondventilator die met de afstandsbediening moet worden gekoppeld, aan staat).
- Druk en houd de "⏻" knop op de **afstandsbediening 1** 3-5 seconden ingedrukt binnen 30 seconden na het inschakelen van de ontvanger van plafondventilator 1. Het controlelampje zal tijdens het proces langzaam knipperen.
- Schakel de plafondventilator 1 in en wijzig de snelheid met behulp van de afstandsbediening om de juiste werking en koppeling te controleren.
- Als het koppelen niet lukt, herhaal dan deze stappen.

Afstandsbediening/ontvanger voor plafondventilator 2:

- Schakel de netvoeding van de ontvangers van beide plafondventilators 1 en 2 uit.
- Installeer de 3V CR2032-batterij in het compartiment. Zorg ervoor dat de polariteit van de batterij correct is. (Afb. 11)
- Schakel de stroomtoevoer naar ontvanger 2 in. Houd de stroom naar ontvanger 1 uitgeschakeld. (Elke plafondventilator moet een eigen scheidingsschakelaar hebben, zodat alleen de plafondventilator die met de afstandsbediening moet worden gekoppeld, aan staat).
- Druk en houd de "⏻" knop op de **afstandsbediening 2** 3-5 seconden ingedrukt binnen 30 seconden na het inschakelen van de ontvanger van plafondventilator 2.
Het controlelampje zal tijdens het proces langzaam knipperen.



- Schakel de plafondventilator 2 in en wijzig de snelheid met behulp van de afstandsbediening om de juiste werking en koppeling te controleren.
- Als het koppelen niet lukt, herhaal dan deze stappen.

OP STANDAARD TERUGZETTEN

Als u de afstandsbediening wilt terugzetten zodat deze opnieuw voor alle ontvangers gebruikt kan worden, druk 15 seconden op de "⏻" knop. Het controlelampje zal tijdens het proces langzaam knipperen.

KNOPPEN VAN DE AFSTANDSBEDIENING:

Voordat u de afstandsbediening gebruikt, lees deze sectie grondig door om uzelf vertrouwd te maken met de knoppen en hun functie. (Afb.12)

1 - LED-controlelampje

Het rode LED-controlelampje aan de bovenkant van de ontvanger knippert wanneer de knoppen actief zijn.

2 - VENTILATOR UIT-KNOP:

Druk op de knop om de ventilator uit te schakelen.

3 - VENTILATORSNELHEID REGELKNOP:

Er zijn 6 snelheden beschikbaar. "1" is voor de laagste snelheid en "6" is voor de hoogste snelheid.

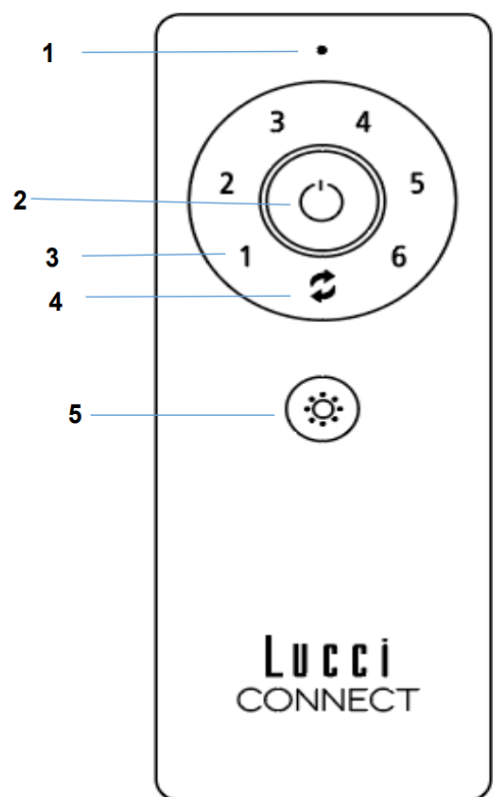
OPMERKING: Als u de ventilator voor de eerste keer inschakelt of de controller onder stroom zet, stel de ventilator eerst op de hoge snelheid "6" in en kies vervolgens een lagere snelheidsstand. Het duurt 5-10 seconden voordat de DC-ventilator reageert op de snelheid die op de afstandsbediening wordt ingesteld.

4 - OMKEERFUNCTIE-KNOP:

Druk op de knop om de omkeerfunctie te activeren. De ventilator moet in werking zijn om de omkeerfunctie te kunnen activeren.

5 - LICHTKNOP: (de ventilator MOTO heeft geen licht)

Druk op de knop om het licht aan of uit de zetten.



Afb. 12

HET HERSTELLEN VAN DE KOPPELING VAN DE AFSTANDSBEDIENING EN DE ONTVANGER - WANNEER ER 1 PLAFONDVENTILATOR IS GEÏNSTALLEERD

- Als de afstandsbediening en ontvanger na de installatie of tijdens het gebruik ontkoppeld raakt, moet de koppeling van de afstandsbediening en de ontvanger worden hersteld.
- Hieronder staan de symptomen en de methode om de koppeling van de afstandsbediening en de ontvanger te herstellen.



Symptomen:

- Geen bediening mogelijk - Ventilator draait alleen op hoge snelheid na installatie
- Geen bediening mogelijk - Geen omkeerfunctie na installatie
- Geen bediening mogelijk - De afstandsbediening kan niet met de ontvanger communiceren

Stappen om te herstellen:

- Schakel de plafondventilator 30 seconden uit.
- Schakel de stroom naar de ventilator in. Volg dezelfde procedure zoals beschreven in de sectie „Koppelen afstandsbediening en ontvanger“ om de koppeling te herstellen.
- Schakel de plafondventilator in en selecteer de verschillende snelheden om de werking van de ventilator te controleren.

NA INSTALLATIE

OPMERKING: Plafondventilators hebben de neiging om tijdens het gebruik te bewegen door het feit dat ze op een rubberen doorvoertules zijn gemonteerd. Als de ventilator vast aan het plafond werd gemonteerd, zou dit buitensporige trillingen veroorzaken. Bewegingen van enkele centimeters zijn acceptabel en is GEEN defect van het apparaat.

OM HET WIEBELEN VAN DE VENTILATOR TE VERMINDEREN: Controleer of alle schroeven waarmee de montagebeugel en de onderstang zijn bevestigd, goed vastzitten.

BALANCERINGSSET: Een balanceringsset wordt geleverd om de plafondventilator bij de eerste installatie te balanceren. Zie de instructies voor het gebruik van de balanceringsset. De balanceringsset kan worden gebruikt om de balans te helpen herstellen als de plafondventilator uit balans raakt. Bewaar uw balanceringsset na de installatie voor toekomstig gebruik indien nodig.

GELUID:

Wanneer het stil is (vooral 's nachts) kan het zijn dat u af en toe kleine geluiden hoort. Lichte stroomschommelingen en frequentiesignalen die op het elektriciteitssignaal worden gesuperponeerd voor de warmwaterbeheersing buiten de piekuren, kunnen een verandering in het geluid van de ventilatormotor veroorzaken. Dit is normaal. Houd rekening met een "instelperiode" van 24 uur. De meeste geluiden die gepaard gaan met een nieuwe ventilator verdwijnen gedurende deze periode.

De garantie van de fabrikant dekt de werkelijke fouten die zich kunnen ontwikkelen en NIET kleine klachten zoals motorgeluid - Alle elektromotoren produceren tot op zekere hoogte geluid.

ONDERHOUD EN REINIGING

OPMERKING: Schakel altijd eerst de stroom uit met de netschakelaar voordat u onderhoud uitvoert of uw ventilator probeert te reinigen.

- Elke 6 maanden is periodieke reiniging van uw plafondventilator het enige onderhoud dat nodig is. Gebruik een zachte borstel of pluisvrije doek om krassen op de laklaag te voorkomen. Schakel de elektriciteit uit als u dat doet.
- Laat uw plafondventilator niet weken of onderdompelen in water of andere vloeistoffen. Het kan de motor of de bladen beschadigen en een elektrische schok veroorzaken.
- Zorg ervoor dat de ventilator niet in contact komt met organische oplosmiddelen of reinigingsmiddelen.



- Om het ventilatorblad te reinigen, veegt u het af met een vochtige, schone doek met GEEN organische oplosmiddelen of reinigingsmiddelen.
- De motor heeft een permanent gesmeerde kogellager zodat er geen olie nodig is.

VEILIGHEIDSMATREGELEN VOOR DE BATTERIJ

- **WAARSCHUWING** – Houd nieuwe en gebruikte batterijen uit de buurt van kinderen.
- **OPGELET** – Slik batterijen niet in - gevaar voor chemische brandwonden.
- Gebruik altijd een 3V CR2032 batterij voor de afstandsbediening.
- Zorg ervoor dat de batterijen met de juiste polariteit zijn geplaatst.
- Om te voorkomen dat de plafondventilator tijdens het plaatsen of vervangen van de batterijen verkeerd wordt gebruikt, moet de plafondventilator worden uitgeschakeld.
- Verwijder de batterijen als u het apparaat voor langere tijd niet gebruikt.
- De batterijen moeten uit de afstandsbediening worden verwijderd voordat het apparaat wordt afgedankt.
- Gooi gebruikte batterijen onmiddellijk en veilig weg (zodat ze niet door kinderen kunnen worden bereikt). Batterijen kunnen nog steeds gevaarlijk zijn. Neem contact op met uw gemeente om de batterijen veilig af te voeren.
- Controleer het product regelmatig en zorg ervoor dat het deksel van het batterijvak goed vastzit. Als het batterijcompartiment niet goed sluit, stop dan met het gebruik van het product en houd het uit de buurt van kinderen.
- Als u denkt dat batterijen zijn ingeslikt of in een lichaamsopening zijn geplaatst, moet u onmiddellijk medische hulp inroepen. Als u vermoedt dat uw kind een knoopcelbatterij heeft ingeslikt of geplaatst, bel dan het noodnummer (112) van uw land als u in Europa bent voor snel en deskundig advies.
- De batterij lekt: De batterij bevat chemische stoffen en moet worden behandeld zoals elke andere chemische stof. Neem voorzorgsmaatregelen bij het hanteren van gelekte chemicaliën uit de batterij. Wees voorzichtig met chemicaliën uit batterijen. Vraag onmiddellijk medische hulp na contact met de ogen of bij inslikken.

TECHNISCHE INFORMATIE

Ventilator	52" DC-ventilator - MOTO
Ventilatormodellen	LD-MOTO-52 / SKU# 210650 , 210651 , 210652 , 210653
Nominale spanning	220-240 V~ 50Hz
Nominaal vermogen (motor)	30 W
Nominaal vermogen (lamp)	N.v.t.
Batterij voor afstandsbediening	3V CR2032 (niet inbegrepen)
Gewicht	3,7kg
Afmetingen van de overkapping	H:50mm Dia:146mm

GARANTIE-INFORMATIE

IN EUROPA - Als u een Europese klant bent, neem dan contact op met het verkooppunt waar de ventilator is gekocht voor garanteservice.



This fan is suitable for indoor and alfresco areas where the fan is fully undercover with a minimum of 2 walls. This fan is not waterproof. When installed in an alfresco area, the ceiling fan must be positioned in a location protected from water, wind, dust and salt. Exposure to these elements will void the warranty. Mounting the fan in a situation where it is subject to water or moisture is dangerous.



ΕΥΧΑΡΙΣΤΟΥΜΕ ΓΙΑ ΤΗΝ ΑΓΟΡΑ ΣΑΣ

Συγχαρητήρια για την αγορά ενός ανεμιστήρα οροφής τελευταίας τεχνολογίας όσον αφορά την ενεργειακή απόδοση. Ο ανεμιστήρας που αγοράσατε λειτουργεί με συνεχές ρεύμα (DC), έτσι ώστε να παρέχει εξαιρετική ενεργειακή απόδοση και ταυτόχρονα υψηλή ικανότητα διακίνησης αέρα και αθόρυβη λειτουργία.

Ενεργειακή απόδοση - Το μοτέρ DC είναι η τελευταία τεχνολογική εξέλιξη στη σχεδίαση των ανεμιστήρων. Είναι ένα μοτέρ υψηλής απόδοσης, που εξοικονομεί έως 65% περισσότερη ενέργεια από τα συμβατικά μοτέρ των ανεμιστήρων οροφής εναλλασσόμενου ρεύματος (AC).

Αθόρυβη λειτουργία – Το μοτέρ DC αυτού του ανεμιστήρα είναι προγραμματισμένο ώστε να λειτουργεί με σταθεροποιημένο ρεύμα, για να μειώνεται αποτελεσματικά ο θόρυβος του μοτέρ.


Χαμηλή θερμοκρασία λειτουργίας – Χάρη στην αποτελεσματική διαχείριση του τροφοδοτικού DC, το μοτέρ λειτουργεί σε θερμοκρασία χαμηλότερη από 50°C. Έτσι, το μοτέρ θερμαίνεται πολύ λιγότερο από το μοτέρ ενός συμβατικού ανεμιστήρα AC και έχει μεγαλύτερη διάρκεια ζωής.

Τηλεχειριστήριο 6 ταχυτήτων – Οι συμβατικοί ανεμιστήρες οροφής AC έχουν συνήθως μόνο 3 ταχύτητες, ενώ αυτός ο ανεμιστήρας DC περιλαμβάνει τηλεχειριστήριο 6 ταχυτήτων για περισσότερες επιλογές κλιματισμού.

ΠΡΟΦΥΛΑΞΕΙΣ ΑΣΦΑΛΕΙΑΣ

1. Αυτή η συσκευή μπορεί να χρησιμοποιηθεί από παιδιά ηλικίας 8 χρονών και πάνω και από άτομα με περιορισμένες σωματικές, αισθητήριες ή διανοητικές ικανότητες, ή από άτομα με ελλιπή εμπειρία και γνώσεις, εφόσον επιβλέπονται ή έχουν λάβει οδηγίες για την ασφαλή χρήση της συσκευής και κατανοούν τους εμπλεκόμενους κινδύνους. Οι εργασίες καθαρισμού και συντήρησης δεν πρέπει να πραγματοποιούνται από παιδιά χωρίς επίβλεψη.
2. Τα παιδιά πρέπει να επιβλέπονται, ώστε να διασφαλίζεται ότι δεν παίζουν με τη συσκευή.
3. Η σταθερή καλωδίωση θα πρέπει να περιλαμβάνει διακόπτη απομόνωσης όλων των αγωγών ρεύματος (φάσεις και ουδέτερο) σύμφωνα τους τοπικούς ηλεκτρολογικούς κανονισμούς.



4.  Οι ηλεκτρικές συσκευές δεν πρέπει να απορρίπτονται μαζί με τα οικιακά απορρίμματα. Χρησιμοποιήστε ξεχωριστές εγκαταστάσεις συλλογής απορριμμάτων. Απευθυνθείτε στις τοπικές αρχές για πληροφορίες σχετικά με τα διαθέσιμα συστήματα συλλογής. Αν τα απόβλητα ηλεκτρικών συσκευών απορρίπτονται σε χωματερές, υπάρχει κίνδυνος να διαρρεύσουν επικίνδυνες ουσίες στα υπόγεια ύδατα και να περάσουν στην τροφική αλυσίδα, με κίνδυνο για την υγεία σας.
5. Η κατασκευή πάνω στην οποία θα κρεμαστεί ο ανεμιστήρας θα πρέπει να μπορεί να υποστηρίξει βάρος 15 κιλών.
6. Ο ανεμιστήρας θα πρέπει να τοποθετηθεί με τέτοιο τρόπο, ώστε τα πτερύγια να βρίσκονται τουλάχιστον 2,3 μέτρα πάνω από το δάπεδο.
7. Αυτός ο ανεμιστήρας μπορεί να εγκατασταθεί σε εσωτερικό και σε εξωτερικό χώρο, εφόσον ο ανεμιστήρας



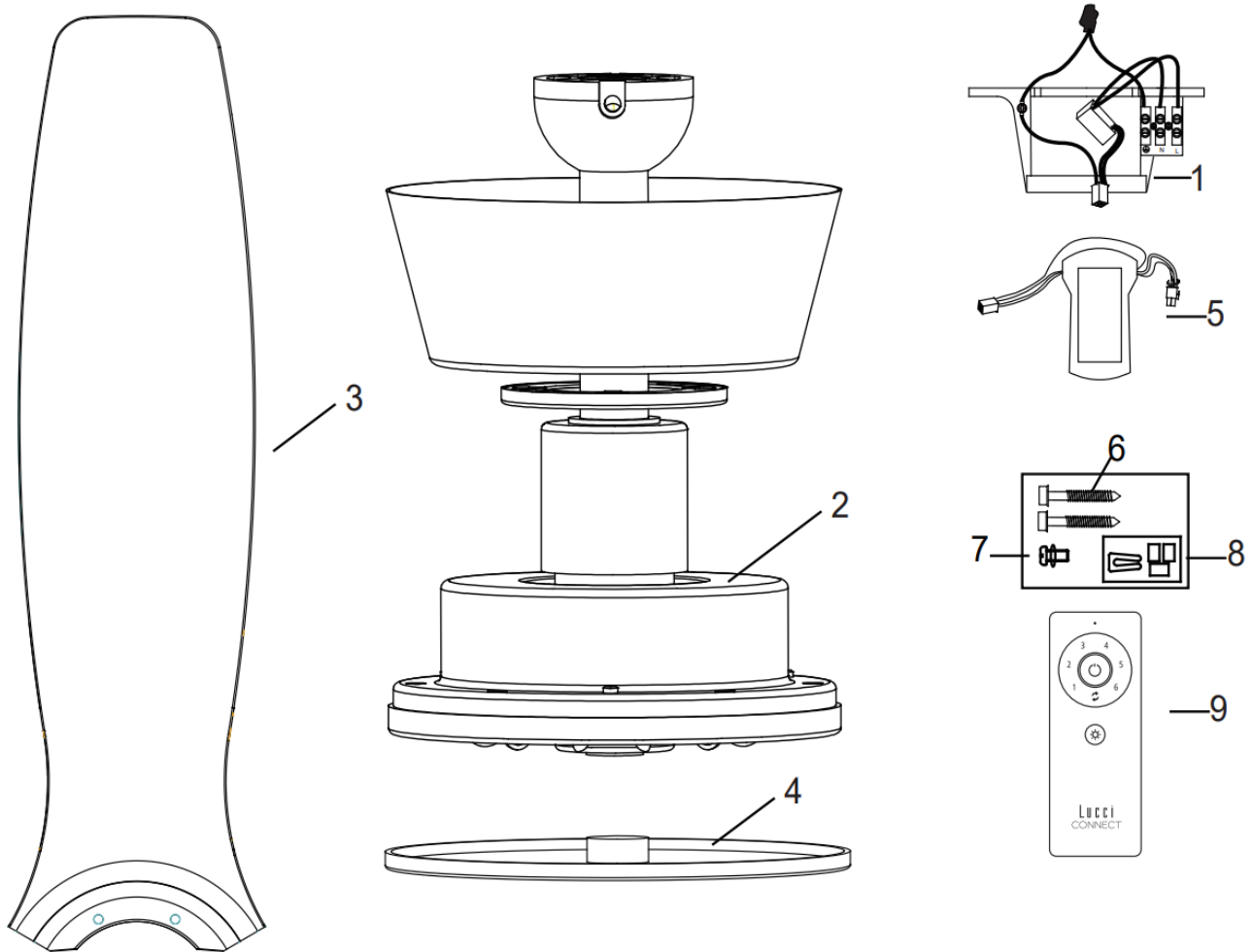
καλύπτεται πλήρως από τουλάχιστον 2 τοίχους. Ο ανεμιστήρας δεν είναι αδιάβροχος. Αν εγκατασταθεί σε εξωτερικό χώρο, ο ανεμιστήρας θα πρέπει να είναι προστατευμένος από το νερό, τον αέρα, τη σκόνη και το αλάτι. Αν εκτίθεται σε αυτά τα στοιχεία, η εγγύηση ακυρώνεται. Η εγκατάσταση του ανεμιστήρα σε χώρο εκτεθειμένο σε νερό ή υγρασία είναι επικίνδυνη και αυξάνει τον κίνδυνο ζημιάς, τραυματισμού ή ηλεκτροπληξίας.

8. Η εγκατάσταση πρέπει να πραγματοποιηθεί από επαγγελματία ηλεκτρολόγο.
9. **ΠΡΟΕΙΔΟΠΟΙΗΣΗ:** Εάν παρατηρήσετε ότι ο ανεμιστήρας οροφής τραντάζεται ή ταλαντεύεται περίεργα, σταματήστε αμέσως να χρησιμοποιείτε τον ανεμιστήρα και επικοινωνήστε με τον κατασκευαστή, τον αντιπρόσωπο σέρβις του κατασκευαστή ή κατάλληλο επαγγελματία.
10. Η αντικατάσταση των εξαρτημάτων του συστήματος ανάρτησης ασφαλείας πρέπει να πραγματοποιείται από τον κατασκευαστή, τον αντιπρόσωπο σέρβις του κατασκευαστή ή κατάλληλο επαγγελματία.
11. Τα εξαρτήματα προσάρτησης στην οροφή, όπως είναι τα άγκιστρα ή άλλες διατάξεις, πρέπει να στερεώνονται κατάλληλα, έτσι ώστε να αντέχουν 4 φορές το βάρος του ανεμιστήρα οροφής. Το σύστημα ανάρτησης θα πρέπει να τοποθετηθεί από τον κατασκευαστή, τον αντιπρόσωπο σέρβις του κατασκευαστή ή κατάλληλο επαγγελματία.



ΛΙΣΤΑ ΕΞΑΡΤΗΜΑΤΩΝ

- Αφαιρέστε προσεκτικά τον ανεμιστήρα οροφής από τη συσκευασία. Αφαιρέστε όλα τα εξαρτήματα και τον εξοπλισμό.
- Τακτοποιήστε όλα τα εξαρτήματα σε ομαλή επιφάνεια και βεβαιωθείτε ότι δεν λείπει κανένα εξάρτημα, πριν ξεκινήσετε τη συναρμολόγηση. Αν λείπουν εξαρτήματα, επιστρέψετε ολόκληρο το προϊόν στο κατάστημα αγοράς για έλεγχο ή αντικατάσταση.
- Ελέγξτε μήπως ο ανεμιστήρας οροφής έχει υποστεί ζημιά κατά τη μεταφορά. Αν φαίνεται να υπάρχει οποιαδήποτε ζημιά, μη θέσετε σε λειτουργία / μην εγκαταστήσετε το προϊόν. Επιστρέψετε ολόκληρο το προϊόν στο κατάστημα αγοράς για επισκευή ή αντικατάσταση.
- Εξετάστε όλα τα εξαρτήματα και βεβαιωθείτε ότι υπάρχουν τα ακόλουθα:



Εικ. 1

1	Στοιχείο ανάρτησης x 1	6	Βίδες στερέωσης x 2
2	Συγκρότημα ανεμιστήρα x 1	7	Εφεδρική βίδα πτερυγίου x 1
3	Πτερύγια x 3	8	Σετ ζυγοστάθμισης x 1
4	Κάτω κάλυμμα x 1	9	Τηλεχειριστήριο x 1
5	Μονάδα ελέγχου ανεμιστήρα x1		



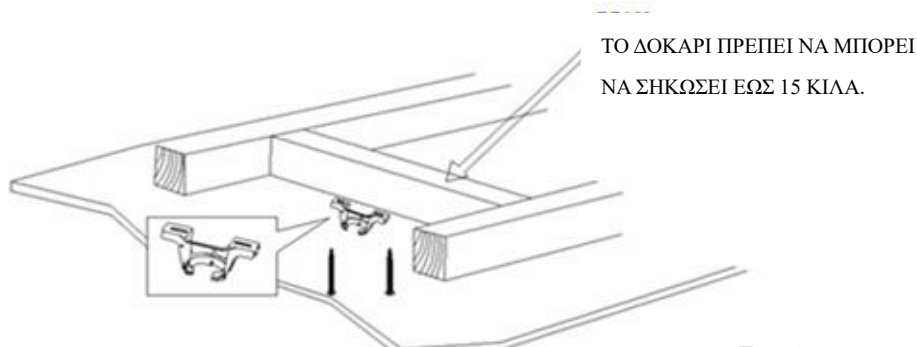
ΕΓΚΑΤΑΣΤΑΣΗ ΤΟΥ ΑΝΕΜΙΣΤΗΡΑ

ΑΠΑΙΤΟΥΜΕΝΑ ΕΡΓΑΛΕΙΑ:

- Κατσαβίδι Phillips / ίσιο κατσαβίδι
- Πένσα
- Γαλλικό κλειδί
- Σκάλα
- Κόφτης
- Ηλεκτρικό καλώδιο, σύμφωνα με τις προδιαγραφές που ορίζουν οι κατά τόπους κανονισμοί για τις ηλεκτρικές καλωδιώσεις.

ΤΟΠΟΘΕΤΗΣΗ ΤΟΥ ΣΤΟΙΧΕΙΟΥ ΑΝΑΡΤΗΣΗΣ

- Ο ανεμιστήρας οροφής θα πρέπει να εγκατασταθεί έτσι ώστε να υπάρχει απόσταση 300 χιλ. από την άκρη των πτερυγίων μέχρι το πλησιέστερο αντικείμενο ή τον πλησιέστερο τοίχο.
- Τοποθετήστε το στοιχείο ανάρτησης σε δοκάρι της οροφής ή άλλη κατασκευή που να μπορεί να σηκώσει βάρος τουλάχιστον 15 κιλών, με τις δύο μακριές βίδες που παρέχονται. Βεβαιωθείτε ότι τουλάχιστον 30 χιλιοστά της βίδας έχουν βιδωθεί στην κατασκευή ανάρτησης. (Εικ. 2)



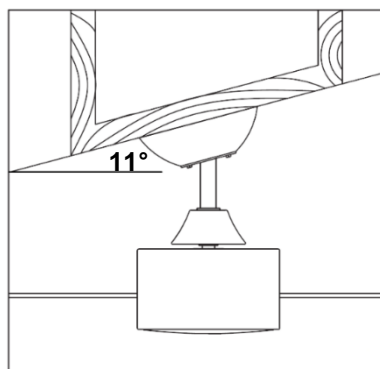
Εικ. 2

ΣΗΜΕΙΩΣΗ: Η ΕΙΚΟΝΑ ΕΙΝΑΙ ΕΝΔΕΙΚΤΙΚΗ ΚΑΙ ΔΕΝ ΑΠΕΙΚΟΝΙΖΕΙ ΤΟ ΠΡΑΓΜΑΤΙΚΟ ΔΟΚΑΡΙ.

ΣΗΜΕΙΩΣΗ: Οι παρεχόμενες βίδες στερέωσης είναι κατάλληλες μόνο για ξύλο. Για κατασκευές από άλλο υλικό, εκτός ξύλου, θα ΠΡΕΠΕΙ να χρησιμοποιηθεί ο κατάλληλος τύπος βίδας. Βεβαιωθείτε ότι οι χρησιμοποιούμενες βίδες είναι κατάλληλες για την επιφάνεια τοποθέτησης και τον περιβάλλοντα χώρο.

ΤΟΠΟΘΕΤΗΣΗ ΣΕ ΟΡΟΦΗ ΥΠΟ ΚΛΙΣΗ

Αυτό το σύστημα ανάρτησης του ανεμιστήρα επιτρέπει την εγκατάσταση του ανεμιστήρα στην οροφή υπό κλίση 11 μοιρών το μέγιστο. (Εικ. 3)

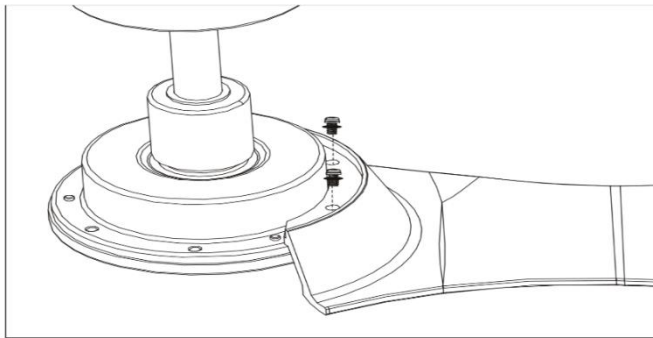


Εικ.



ΤΟΠΟΘΕΤΗΣΗ ΤΟΥ ΠΤΕΡΥΓΙΟΥ (Εικ. 4)

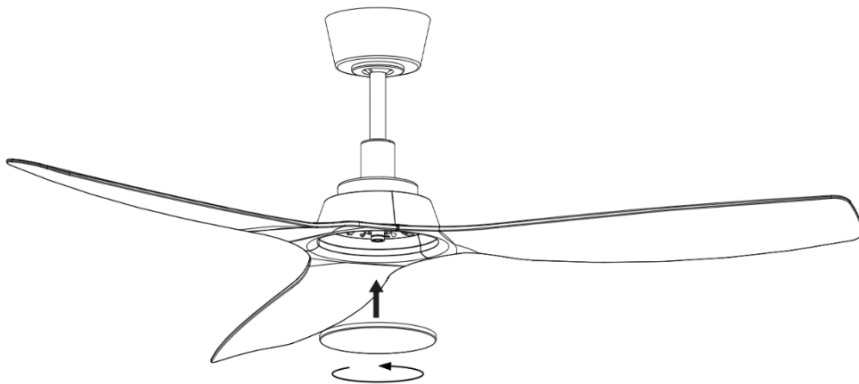
1. Πριν τοποθετήσετε τα πτερύγια, αφαιρέστε τις βίδες των πτερυγίων από το πάνω μέρος του μοτέρ του ανεμιστήρα.
2. Ευθυγραμμίστε τις 2 οπές στο πτερύγιο με τις 2 οπές στο περιστρεφόμενο στοιχείο του μοτέρ του ανεμιστήρα.
3. Στερεώστε το πτερύγιο στο μοτέρ του ανεμιστήρα, σφίγγοντας τις 2 βίδες πτερυγίου από το βήμα 1. Βεβαιωθείτε ότι έχετε σφίξει όλες τις βίδες ομοιόμορφα, ώστε να μην παραμορφωθούν τα πτερύγια και να μην γέρνει ο ανεμιστήρας. Προσέξτε να μη σφίξετε υπερβολικά τις βίδες, γιατί μπορεί να υποστούν ζημιά τα πτερύγια.
4. Ακολουθήστε την ίδια διαδικασία για τα υπόλοιπα πτερύγια.



Εικ.4

ΤΟΠΟΘΕΤΗΣΗ ΤΟΥ ΚΑΤΩ ΚΑΛΥΜΜΑΤΟΣ (Εικ. 5)

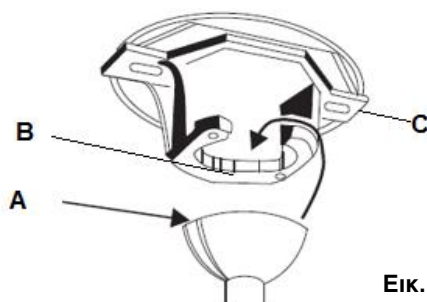
- Τοποθετήστε το κάτω κάλυμμα στο συγκρότημα του ανεμιστήρα, και μετά ασφαλίστε το, περιστρέφοντας δεξιόστροφα.



Εικ. 5

ΚΡΕΜΑΣΜΑ ΤΟΥ ΑΝΕΜΙΣΤΗΡΑ

Σηκώστε το συγκρότημα του ανεμιστήρα στο στοιχείο ανάρτησης. Βεβαιωθείτε ότι η εγκοπή (A) στην πλαφονιέρα είναι ευθυγραμμισμένη με το κλειδί (B) στο στοιχείο ανάρτησης (C), για να μην περιστρέφεται ο ανεμιστήρας κατά τη λειτουργία. (Εικ. 6)



Εικ. 6



ΗΛΕΚΤΡΟΛΟΓΙΚΟ ΔΙΑΓΡΑΜΜΑ ΤΟΥ ΑΝΕΜΙΣΤΗΡΑ

ΠΡΟΕΤΟΙΜΑΣΙΑ ΚΑΙ ΣΥΝΔΕΣΗ ΤΗΣ ΗΛΕΚΤΡΙΚΗΣ ΚΑΛΩΔΙΩΣΗΣ --- ΗΛΕΚΤΡΟΛΟΓΙΚΟ ΔΙΑΓΡΑΜΜΑ (ΕΙΚ. 7)

ΠΡΟΕΙΔΟΠΟΙΗΣΗ: ΓΙΑ ΤΗΝ ΑΣΦΑΛΕΙΑ ΣΑΣ, ΟΛΕΣ ΟΙ ΗΛΕΚΤΡΙΚΕΣ ΣΥΝΔΕΞΕΙΣ ΠΡΕΠΕΙ ΝΑ ΠΡΑΓΜΑΤΟΠΟΙΗΘΟΥΝ ΑΠΟ ΕΠΑΓΓΕΛΜΑΤΙΑ ΗΛΕΚΤΡΟΛΟΓΟ.

ΣΗΜΕΙΩΣΗ: Η ΣΤΑΘΕΡΗ ΚΑΛΩΔΙΩΣΗ ΘΑ ΠΡΕΠΕΙ ΝΑ ΠΕΡΙΛΑΜΒΑΝΕΙ ΣΥΜΠΛΗΡΩΜΑΤΙΚΟ ΔΙΑΚΟΠΤΗ ΑΠΟΜΟΝΩΣΗΣ ΟΛΩΝ ΤΩΝ ΑΓΩΓΩΝ ΡΕΥΜΑΤΟΣ (ΦΑΣΕΙΣ ΚΑΙ ΟΥΔΕΤΕΡΟ).

ΣΗΜΕΙΩΣΗ: ΑΝ ΕΓΚΑΤΑΣΤΑΘΟΥΝ ΔΥΟ Ή ΠΕΡΙΣΣΟΤΕΡΟΙ ΑΝΕΜΙΣΤΗΡΕΣ ΟΡΟΦΗΣ DC ΣΤΟΝ ΙΔΙΟ ΧΩΡΟ, ΘΑ ΠΡΕΠΕΙ ΝΑ ΥΠΑΡΧΕΙ ΕΝΑΣ ΔΙΑΚΟΠΤΗΣ ΓΙΑ ΚΑΘΕ ΑΝΕΜΙΣΤΗΡΑ. ΑΥΤΟ ΑΠΑΙΤΕΙΤΑΙ ΚΑΤΑ ΤΟΝ ΠΡΟΓΡΑΜΜΑΤΙΣΜΟ ΤΟΥ ΤΗΛΕΧΕΙΡΙΣΤΗΡΙΟΥ ΚΑΙ ΤΟΥ ΔΕΚΤΗ ΓΙΑ ΣΥΖΕΥΞΗ.

Από την παροχή δικτύου στην κλέμμα ακροδεκτών του στοιχείου ανάρτησης: (Ε ι κ . 7)

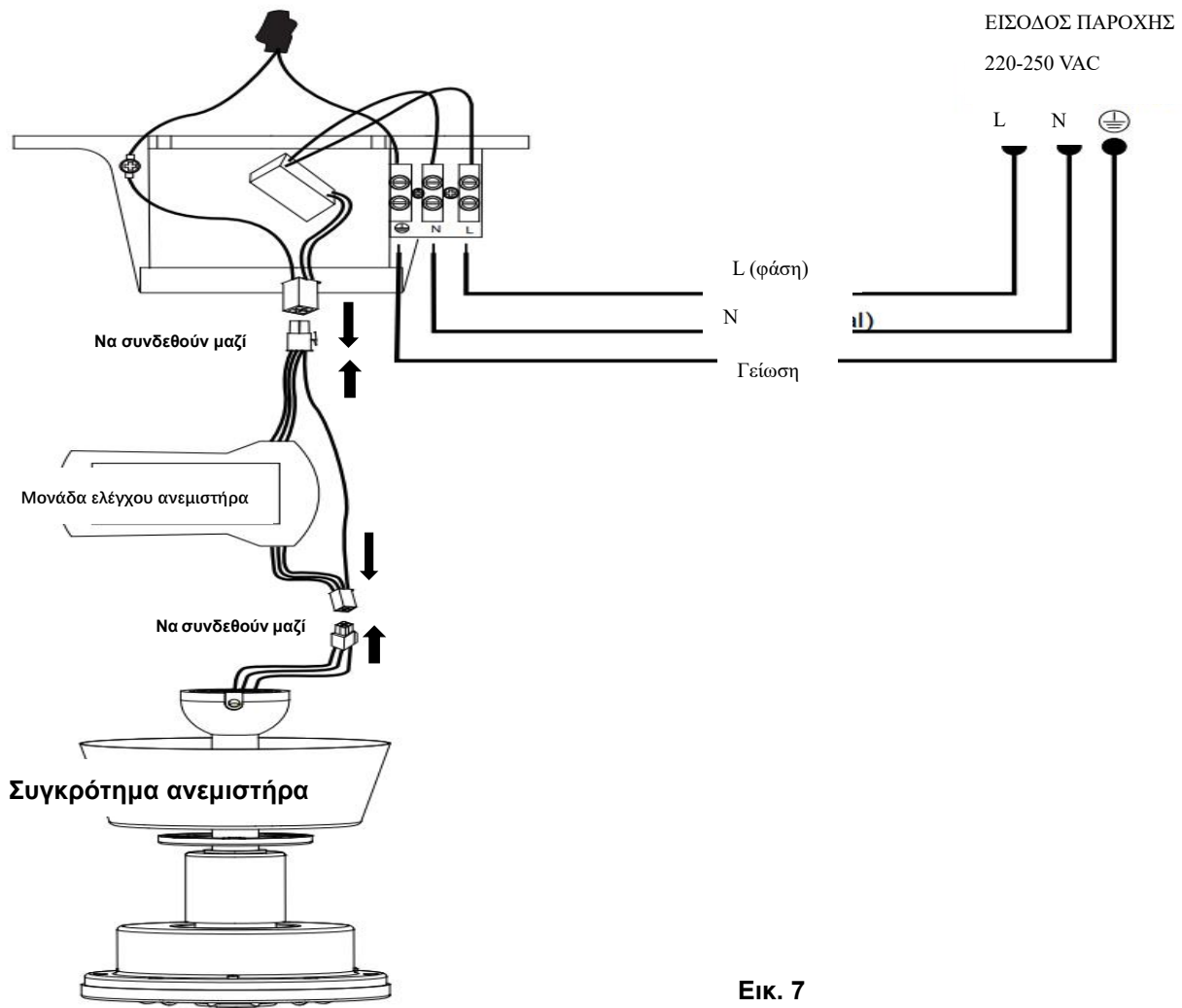
1. Συνδέστε τον αγωγό φάσης στον ακροδέκτη «L» της κλέμματος του στοιχείου ανάρτησης.
2. Συνδέστε τον αγωγό ουδέτερου στον ακροδέκτη «N» της κλέμματος του στοιχείου ανάρτησης.
3. Συνδέστε τον αγωγό γείωσης στον ακροδέκτη γείωσης της κλέμματος του στοιχείου ανάρτησης.

Από το στοιχείο ανάρτησης στον δέκτη και στο μοτέρ: (Ε ι κ . 7)

Συνδέστε το συνδετήρα καλωδίωσης παροχής από το στοιχείο ανάρτησης στον ταχυσύνδεσμο εισόδου της μονάδας ελέγχου του ανεμιστήρα. (Ε ι κ . 7)

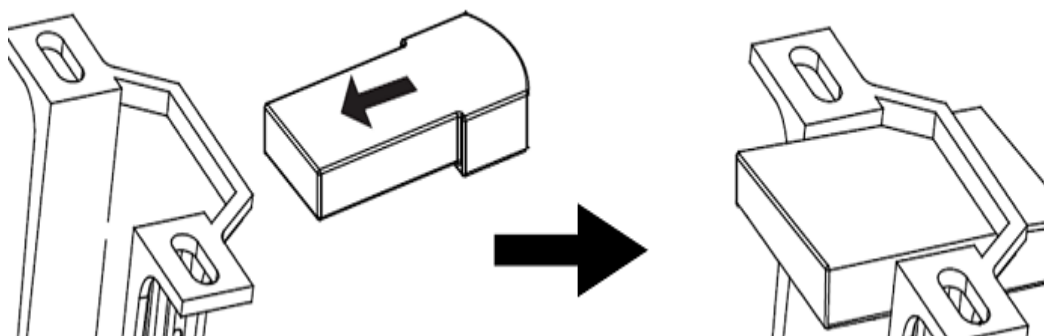
Συνδέστε τον ταχυσύνδεσμο των αγωγών εξόδου από τη μονάδα ελέγχου του ανεμιστήρα στον ταχυσύνδεσμο των αγωγών εισόδου από το συγκρότημα του ανεμιστήρα. (Ε ι κ . 7)





Εικ. 7

Τοποθετήστε προσεκτικά τον δέκτη πάνω από το στοιχείο ανάρτησης, στην προβλεπόμενη υποδοχή. Προσέξτε να μην καταστραφούν και να μην αποσυνδεθούν τα καλώδια. (Εικ. 8).



Εικ. 8



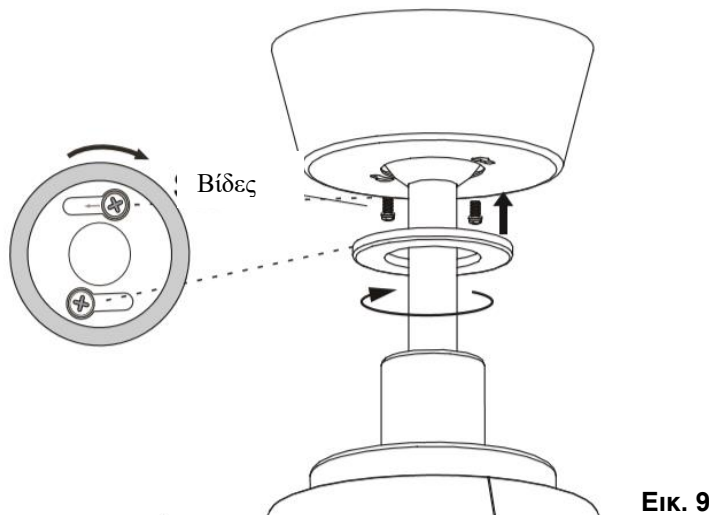
This fan is suitable for indoor and alfresco areas where the fan is fully undercover with a minimum of 2 walls. This fan is not waterproof. When installed in an alfresco area, the ceiling fan must be positioned in a location protected from water, wind, dust and salt. Exposure to these elements will void the warranty. Mounting the fan in a situation where it is subject to water or moisture is dangerous.

ΟΛΟΚΛΗΡΩΣΗ ΤΗΣ ΕΓΚΑΤΑΣΤΑΣΗΣ

ΣΗΜΕΙΩΣΗ: Επαληθεύστε ότι τα καλώδια γείωσης έχουν συνδεθεί σωστά και με ασφάλεια, διεξάγοντας δοκιμή συνέχειας γείωσης από το προσβάσιμο μεταλλικό σώμα του ανεμιστήρα προς τον ακροδέκτη γείωσης στην κλέμμα ακροδεκτών του στοιχείου ανάρτησης.

ΤΟΠΟΘΕΤΗΣΗ ΤΗΣ ΠΛΑΦΟΝΙΕΡΑΣ (Εικ. 9)

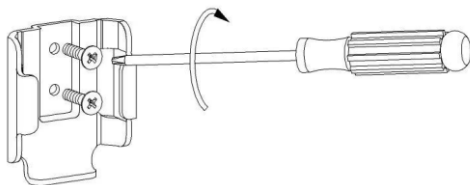
1. Χαλαρώστε τις 2 βίδες στο κάτω μέρος του στοιχείου ανάρτησης.
2. Περάστε την πλαφονιέρα πάνω στο στοιχείο ανάρτησης και ευθυγραμμίστε τις εγκοπές της πλαφονιέρας με τις βίδες στο στοιχείο ανάρτησης. Περιστρέψτε την πλαφονιέρα μέχρι να ασφαλίσει στο στενό τμήμα των εγκοπών, και στερεώστε την σφίγγοντας τις δύο βίδες. Προσέξτε να μην προκαλέσετε ζημιά στα ηλεκτρικά καλώδια που συνδέσατε προηγουμένως.
3. Περάστε το κάλυμμα της πλαφονιέρας στην πλαφονιέρα.



Εικ. 9

ΤΟΠΟΘΕΤΗΣΗ ΤΟΥ ΣΤΗΡΙΓΜΑΤΟΣ ΓΙΑ ΤΟ ΤΗΛΕΧΕΙΡΙΣΤΗΡΙΟ (Εικ. 10)

1. Βρείτε έναν κατάλληλο τοίχο για να στερεώσετε το στήριγμα του τηλεχειριστηρίου με τις 2 βίδες. (Εικ. 10α).
2. Τοποθετήστε το τηλεχειριστήριο μέσα στο στήριγμα. (Εικ. 10β)



Εικ. 10α



Εικ. 10β



ΧΡΗΣΗ ΤΟΥ ΑΝΕΜΙΣΤΗΡΑ ΟΡΟΦΗΣ

ΣΗΜΕΙΩΣΗ: Μετά την εγκατάσταση του ανεμιστήρα οροφής, θα πρέπει να συζεύξετε το τηλεχειριστήριο και τον δέκτη.

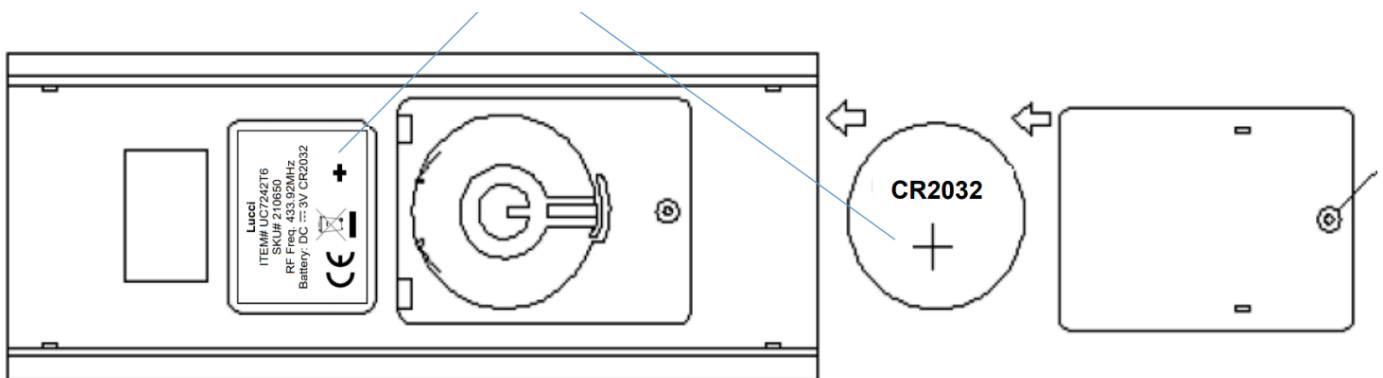
ΣΗΜΕΙΩΣΗ: Αν έχουν εγκατασταθεί δύο ή περισσότεροι ανεμιστήρες οροφής στον ίδιο χώρο, ανατρέξτε στις οδηγίες στην επόμενη σελίδα.

ΤΟΠΟΘΕΤΗΣΗ ΤΗΣ ΜΠΑΤΑΡΙΑΣ (Εικ. 11)

1. Χαλαρώστε τη βίδα στο κάλυμμα της μπαταρίας.
2. Τοποθετήστε την μπαταρία-κουμπί CR2032 μέσα στην υποδοχή. Τοποθετήστε την μπαταρία με τη σωστή πολικότητα.
3. Ξανατοποθετήστε το κάλυμμα της μπαταρίας στο τηλεχειριστήριο και ασφαλίστε με τη βίδα.

Τοποθετήστε την μπαταρία 3V CR2032 DC στην υποδοχή της. Βεβαιωθείτε ότι οι πόλοι της μπαταρίας είναι προσανατολισμένοι σωστά. (Εικ. 11)

Βεβαιωθείτε ότι οι πόλοι της μπαταρίας είναι προσανατολισμένοι σωστά.



Εικ. 11


ΣΥΖΕΥΞΗ ΤΗΛΕΧΕΙΡΙΣΤΗΡΙΟΥ ΚΑΙ ΔΕΚΤΗ – ΟΤΑΝ ΕΧΕΙ ΕΓΚΑΤΑΣΤΑΘΕΙ 1 ΑΝΕΜΙΣΤΗΡΑΣ ΟΡΟΦΗΣ DC ΣΤΟΝ ΧΩΡΟ

ΣΗΜΕΙΩΣΗ: Βεβαιωθείτε ότι έχει εγκατασταθεί μονοπολικός διακόπτης αποσύνδεσης στη σταθερή καλωδίωση του ανεμιστήρα.

ΣΗΜΕΙΩΣΗ: Βεβαιωθείτε ότι έχετε ενεργοποιήσει τον δέκτη πριν επιχειρήσετε να συζεύξετε το τηλεχειριστήριο με τον δέκτη.

- Απενεργοποιήστε την παροχή ρεύματος στον ανεμιστήρα από τον επιτοίχιο διακόπτη on/off.
- Τοποθετήστε την μπαταρία 3V CR2032 DC στο τηλεχειριστήριο. Βεβαιωθείτε ότι οι πόλοι της μπαταρίας είναι προσανατολισμένοι σωστά.
- Ενεργοποιήστε τον δέκτη.



- Πατήστε και κρατήστε το κουμπί «» του τηλεχειριστηρίου για 3-5 δευτερόλεπτα, μέσα σε διάστημα 30 δευτερολέπτων από τη στιγμή που θα ενεργοποιήσετε τον δέκτη του ανεμιστήρα οροφής. Στο διάστημα αυτό, θα αναβοσβήνει αργά η ενδεικτική λυχνία.
- Ενεργοποιήστε τον ανεμιστήρα και αλλάξτε την ταχύτητα του ανεμιστήρα οροφής από το τηλεχειριστήριο, για να ελέγξετε αν λειτουργεί σωστά και αν έχει γίνει σωστά η σύζευξη.
- Αν η σύζευξη δεν ήταν επιτυχής, επαναλάβετε τα παραπάνω βήματα.


ΣΥΖΕΥΞΗ ΤΗΛΕΧΕΙΡΙΣΤΗΡΙΟΥ ΚΑΙ ΔΕΚΤΗ – ΟΤΑΝ ΕΧΟΥΝ ΕΓΚΑΤΑΣΤΑΘΕΙ 2 Ή ΠΕΡΙΣΣΟΤΕΡΟΙ ΑΝΕΜΙΣΤΗΡΕΣ ΟΡΟΦΗΣ DC ΣΤΟΝ ΙΔΙΟ ΧΩΡΟ

Αν υπάρχουν δύο ή περισσότεροι ανεμιστήρες ο ένας κοντά στον άλλον, μπορεί να θέλετε να προγραμματίσετε το τηλεχειριστήριο/ δέκτη κάθε ανεμιστήρα με διαφορετικό κωδικό, έτσι ώστε η λειτουργία του ενός ανεμιστήρα να μην επηρεάζει τη λειτουργία των άλλων.


ΣΗΜΕΙΩΣΗ: Βεβαιωθείτε ότι έχει εγκατασταθεί μονοπολικός διακόπτης αποσύνδεσης στη σταθερή καλωδίωση κάθε ανεμιστήρα.

ΣΗΜΕΙΩΣΗ: Βεβαιωθείτε ότι έχετε ενεργοποιήσει τον δέκτη πριν επιχειρήσετε να συζεύξετε το τηλεχειριστήριο με τον δέκτη.

Σύζευξη τηλεχειριστηρίου / δέκτη για ανεμιστήρα οροφής 1:

- Απενεργοποιήστε τους δέκτες και των δύο ανεμιστήρων οροφής 1 και 2.
- Τοποθετήστε την μπαταρία 3V CR2032 DC στην υποδοχή της. Βεβαιωθείτε ότι οι πόλοι της μπαταρίας είναι προσανατολισμένοι σωστά. (Εικ. 11)
- Ενεργοποιήστε τον δέκτη 1. Κρατήστε τον δέκτη 2 απενεργοποιημένο. (Κάθε ανεμιστήρας πρέπει να έχει ξεχωριστό διακόπτη απομόνωσης, έτσι ώστε να είναι ενεργοποιημένος μόνο ο ανεμιστήρας που πρέπει να συζευχθεί με το τηλεχειριστήριο).
- Πατήστε και κρατήστε το κουμπί «» του **τηλεχειριστηρίου 1** για 3-5 δευτερόλεπτα, μέσα σε διάστημα 30 δευτερολέπτων από τη στιγμή που θα ενεργοποιήσετε τον δέκτη του ανεμιστήρα οροφής. Στο διάστημα αυτό, θα αναβοσβήνει αργά η ενδεικτική λυχνία.
- Ενεργοποιήστε τον ανεμιστήρα οροφής 1 και αλλάξτε την ταχύτητα του ανεμιστήρα από το τηλεχειριστήριο, για να ελέγξετε αν λειτουργεί σωστά και αν έχει γίνει σωστά η σύζευξη.
- Αν η σύζευξη δεν ήταν επιτυχής, επαναλάβετε τα παραπάνω βήματα.


Σύζευξη τηλεχειριστηρίου / δέκτη για ανεμιστήρα οροφής 2:

- Απενεργοποιήστε τους δέκτες και των δύο ανεμιστήρων οροφής 1 και 2.
- Τοποθετήστε την μπαταρία 3V CR2032 DC στην υποδοχή της. Βεβαιωθείτε ότι οι πόλοι της μπαταρίας είναι προσανατολισμένοι σωστά. (Εικ. 11)
- Ενεργοποιήστε τον δέκτη 2. Κρατήστε τον δέκτη 1 απενεργοποιημένο. (Κάθε ανεμιστήρας πρέπει να έχει ξεχωριστό διακόπτη απομόνωσης, έτσι ώστε να είναι ενεργοποιημένος μόνο ο ανεμιστήρας που πρέπει να συζευχθεί με το τηλεχειριστήριο).
- Πατήστε και κρατήστε το κουμπί «» του **τηλεχειριστηρίου 2** για 3-5 δευτερόλεπτα, μέσα σε διάστημα 30 δευτερολέπτων από τη στιγμή που θα ενεργοποιήσετε τον δέκτη του ανεμιστήρα οροφής 2. Στο διάστημα αυτό, θα αναβοσβήνει αργά η ενδεικτική λυχνία.



- Ενεργοποιήστε τον ανεμιστήρα οροφής 2 και αλλάξτε την ταχύτητα του ανεμιστήρα από το τηλεχειριστήριο, για να ελέγξετε αν λειτουργεί σωστά και αν έχει γίνει σωστά η σύζευξη.
- Αν η σύζευξη δεν ήταν επιτυχής, επαναλάβετε τα παραπάνω βήματα.

ΕΠΑΝΑΦΟΡΑ ΠΡΟΕΠΙΛΕΓΜΕΝΩΝ ΡΥΘΜΙΣΕΩΝ:

Αν θέλετε να επαναφέρετε το τηλεχειριστήριο, ώστε να είναι συμβατό με όλους τους δέκτες, πατήστε το κουμπί «» για 15 δευτερόλεπτα. Στο διάστημα αυτό, θα αναβοσβήνει γρήγορα η ενδεικτική λυχνία.

ΚΟΥΜΠΙΑ ΤΗΛΕΧΕΙΡΙΣΤΗΡΙΟΥ:

Πριν χρησιμοποιήσετε το τηλεχειριστήριο, διαβάστε αυτή την ενότητα και εξοικειωθείτε με τα κουμπιά και με τη λειτουργία κάθε κουμπιού (Εικ. 12).

1 - Λυχνία LED

Η κόκκινη λυχνία LED στο πάνω μέρος του δέκτη θα αναβοσβήνει όταν είναι ενεργά τα κουμπιά.

2 - ΚΟΥΜΠΙ ΑΠΕΝΕΡΓΟΠΟΙΗΣΗΣ ΑΝΕΜΙΣΤΗΡΑ:

Πατήστε το κουμπί για να σταματήσετε τον ανεμιστήρα.

3 - ΚΟΥΜΠΙ ΕΛΕΓΧΟΥ ΤΑΧΥΤΗΤΑΣ ΑΝΕΜΙΣΤΗΡΑ:

Υπάρχουν 6 διαθέσιμες ταχύτητες. Το «1» είναι για τη χαμηλότερη ταχύτητα και το κουμπί «6» είναι για την υψηλότερη ταχύτητα.

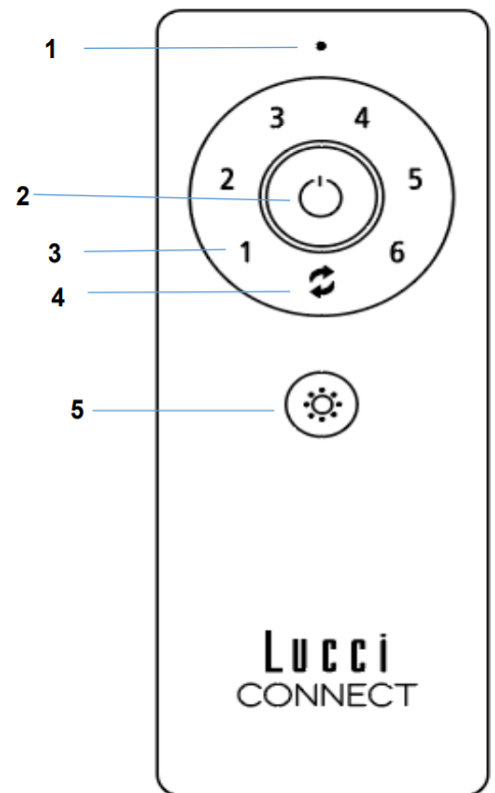
ΣΗΜΕΙΩΣΗ: όταν θα ενεργοποιήσετε για πρώτη φορά τον ανεμιστήρα ή όταν θα ενεργοποιήσετε το τηλεχειριστήριο, θα πρέπει να ξεκινήσετε τον ανεμιστήρα από την υψηλή ταχύτητα «6» και μετά να επιλέξετε τη χαμηλότερη ταχύτητα. Απαιτούνται 5-10 δευτερόλεπτα για να ανταποκριθεί ο ανεμιστήρας DC στις επιλογές ταχύτητας ή κατεύθυνσης περιστροφής από το τηλεχειριστήριο.

4 - ΚΟΥΜΠΙ ΑΝΤΙΣΤΡΟΦΗΣ ΛΕΙΤΟΥΡΓΙΑΣ:

Πατήστε το κουμπί για να ενεργοποιήσετε την αντίστροφη λειτουργία. Ο ανεμιστήρας πρέπει να λειτουργεί για να ενεργοποιηθεί η αντίστροφη λειτουργία.

5 - ΚΟΥΜΠΙ ΕΛΕΓΧΟΥ ΦΩΤΙΣΤΙΚΟΥ: (ο ανεμιστήρας Moto δεν έχει φως)

Πατήστε το κουμπί για να αναβοσβήσετε το φως.



Εικ. 12

ΑΠΟΚΑΤΑΣΤΑΣΗ ΤΗΣ ΣΥΖΕΥΞΗΣ ΤΗΛΕΧΕΙΡΙΣΤΗΡΙΟΥ ΚΑΙ ΔΕΚΤΗ – ΟΤΑΝ ΕΧΕΙ ΕΓΚΑΤΑΣΤΑΘΕΙ 1 ΑΝΕΜΙΣΤΗΡΑΣ ΟΡΟΦΗΣ

- Αν χαθεί ο έλεγχος του δέκτη από το τηλεχειριστήριο μετά την εγκατάσταση ή κατά τη λειτουργία του ανεμιστήρα, θα πρέπει να αποκαταστήσετε τη σύζευξη.
- Παρακάτω αναφέρονται οι ενδείξεις αποσύζευξης κατά τη λειτουργία και η μέθοδος αποκατάστασης της σύζευξης ανάμεσα στο τηλεχειριστήριο και τον δέκτη.



Ενδείξεις:

- Απώλεια ελέγχου - Ο ανεμιστήρας λειτουργεί μόνο στην υψηλή ταχύτητα μετά την εγκατάσταση.
- Απώλεια ελέγχου - Ο ανεμιστήρας δεν λειτουργεί αντίστροφα μετά την εγκατάσταση.
- Απώλεια ελέγχου - Το τηλεχειριστήριο δεν επικοινωνεί με το δέκτη.

Βήματα αποκατάστασης:

- Απενεργοποιήστε τον ανεμιστήρα οροφής από τον γενικό διακόπτη για 30 δευτερόλεπτα.
- Ενεργοποιήστε τον ανεμιστήρα οροφής από τον γενικό διακόπτη. Ακολουθήστε τη διαδικασία στην παράγραφο «Σύζευξη τηλεχειριστηρίου και δέκτη» για να αποκαταστήσετε τη σύζευξη.
- Ενεργοποιήστε τον ανεμιστήρα και επιλέξτε διαφορετική ταχύτητα, για να επαληθεύσετε ότι λειτουργεί.

ΜΕΤΑ ΤΗΝ ΤΟΠΟΘΕΤΗΣΗ

ΣΗΜΕΙΩΣΗ: Οι ανεμιστήρες οροφής ταλαντεύονται κατά τη λειτουργία επειδή είναι στερεωμένοι πάνω σε ελαστικές ροδέλες. Αν ο ανεμιστήρας ήταν στερεωμένος σε άκαμπτα στοιχεία στην οροφή, θα προκαλούσαν υπερβολικοί κραδασμοί. Η ταλάντευση κατά λίγα εκατοστά είναι αποδεκτή και ΔΕΝ συνιστά πρόβλημα.

ΓΙΑ ΝΑ ΠΕΡΙΟΡΙΣΕΤΕ ΤΗΝ ΤΑΛΑΝΤΕΥΣΗ ΤΟΥ ΑΝΕΜΙΣΤΗΡΑ: Βεβαιωθείτε ότι όλες οι βίδες που συγκρατούν το στοιχείο ανάρτησης και την κάθετη ράβδο είναι σφιγμένες καλά.

ΣΕΤ ΖΥΓΟΣΤΑΘΜΙΣΗΣ: Παρέχεται ένα σετ για τη ζυγοστάθμιση του ανεμιστήρα οροφής κατά την αρχική εγκατάσταση. Ανατρέξτε στις οδηγίες για να μάθετε πώς χρησιμοποιείται το σετ ζυγοστάθμισης. Μπορείτε να χρησιμοποιήσετε το σετ ζυγοστάθμισης για να ρυθμίσετε ξανά τον ανεμιστήρα αν αρχίσει πάλι να ταλαντεύεται. Μετά την εγκατάσταση, φυλάξτε το κιτ ζυγοστάθμισης για μελλοντική χρήση.

ΘΟΡΥΒΟΣ:

Όταν επικρατεί ησυχία (ιδιαίτερα τη νύχτα), μπορεί να ακούτε σποραδικά μικρούς θορύβους. Μικρές διακυμάνσεις στην ένταση του ρεύματος και παρεμβολές σημάτων συχνότητας στο ηλεκτρικό κύκλωμα μπορεί να προκαλέσουν διάφορους θορύβους από το μοτέρ του ανεμιστήρα. Αυτό είναι φυσιολογικό. Περιμένετε ένα 24ωρο για να εξομαλυνθεί η λειτουργία του ανεμιστήρα. Οι περισσότεροι θόρυβοι που ακούγονται όταν λειτουργεί πρώτη φορά ο ανεμιστήρας σταματούν στη συνέχεια.

Η εγγύηση του κατασκευαστή καλύπτει πραγματικά σφάλματα που μπορεί να παρουσιαστούν και ΟΧΙ παράπονα ή σονος σημασίας όπως ο ήχος λειτουργίας του μοτέρ – όλοι οι ηλεκτρικοί κινητήρες εκπέμπουν κάποιο θόρυβο.

ΦΡΟΝΤΙΔΑ ΚΑΙ ΚΑΘΑΡΙΣΜΟΣ

ΣΗΜΕΙΩΣΗ: Κλείνετε πάντα τον κεντρικό ηλεκτρικό διακόπτη πριν πραγματοποιήσετε εργασίες συντήρησης και πριν καθαρίσετε τον ανεμιστήρα.

- Η μόνη συντήρηση που απαιτεί ο ανεμιστήρας οροφής είναι ο περιοδικός καθαρισμός κάθε 6 μήνες. Χρησιμοποιήστε μια μαλακή βούρτσα ή ένα πανί που δεν αφήνει χνούδι για να μη χαράξετε τη βαφή. Κλείνετε τον διακόπτη ηλεκτρικής τροφοδοσίας κατά τον καθαρισμό.
- Μη μουσκεύετε και μη βυθίζετε τον ανεμιστήρα οροφής σε νερό ή άλλα υγρά. Μπορεί να υποστεί ζημιά το μοτέρ ή τα πτερύγια και αυξάνεται ο κίνδυνος ηλεκτροπληξίας.
- Προσέξτε ώστε ο ανεμιστήρας να μην έρθει σε επαφή με οργανικούς διαλύτες ή καθαριστικά.
- Για να καθαρίσετε τα πτερύγια του ανεμιστήρα, σκουπίστε τα μόνο με ένα υγρό καθαρό πανί, χωρίς



οργανικούς διαλύτες ή καθαριστικά.

- Το μοτέρ περιλαμβάνει ένσφαιρο έδρανο μόνιμης λίπανσης, οπότε δεν απαιτεί λίπανση.

ΠΡΟΦΥΛΑΞΕΙΣ ΑΣΦΑΛΕΙΑΣ ΓΙΑ ΤΗΝ ΜΠΑΤΑΡΙΑ

- **ΠΡΟΕΙΔΟΠΟΙΗΣΗ** – Φυλάσσετε τις νέες και τις χρησιμοποιημένες μπαταρίες μακριά από παιδιά.
- **ΠΡΟΣΟΧΗ** – Μην καταπίνετε τις μπαταρίες—Κίνδυνος χημικού εγκαύματος.
- Να χρησιμοποιείτε πάντα μπαταρίες τύπου 3V CR2032 DC στο τηλεχειριστήριο αυτού του ανεμιστήρα οροφής.
- Τοποθετήστε τις μπαταρίες με τη σωστή πολικότητα.
- Για να μην τεθεί κατά λάθος σε λειτουργία ο ανεμιστήρας κατά την εισαγωγή ή την αντικατάσταση των μπαταριών, πρέπει να αποσυνδέσετε τον ανεμιστήρα οροφής από την παροχή ρεύματος.
- Αφαιρείτε τις μπαταρίες από το προϊόν αν δεν πρόκειται να χρησιμοποιηθεί για μεγάλο διάστημα.
- Οι μπαταρίες πρέπει να αφαιρούνται από το τηλεχειριστήριο πριν το απορρίψετε.
- Απορρίψτε τις χρησιμοποιημένες μπαταρίες αμέσως και με ασφάλεια (έτσι ώστε να μην μπορούν να τις βρουν παιδιά). Οι μπαταρίες παραμένουν επικίνδυνες. Επικοινωνήστε με την τοπική δημοτική αρχή σχετικά με την ασφαλή απόρριψη της μπαταρίας.
- Ελέγχετε τακτικά το προϊόν για να βεβαιωθείτε ότι το καπάκι των μπαταριών είναι ασφαλισμένο. Αν δεν κλείνει καλά το καπάκι των μπαταριών, σταματήστε να χρησιμοποιείτε το προϊόν και φυλάξτε το μακριά από τα παιδιά.
- Αν πιστεύετε ότι κάποιος έχει καταπιεί μπαταρίες ή έχει τοποθετήσει μπαταρίες σε οποιοδήποτε μέρος του σώματός του, απευθυνθείτε αμέσως σε γιατρό. Αν υποπτεύεστε ότι το παιδί σας έχει καταπιεί μπαταρία-κουμπί ή έχει τοποθετήσει την μπαταρία μέσα στο σώμα του, καλέστε τις πρώτες βοήθειες στη χώρα σας, εάν βρίσκεστε στην Ευρώπη, για άμεση παροχή εξειδικευμένων συμβουλών.
- Διαρροές μπαταρίας: Η μπαταρίες περιέχουν χημικές ουσίες και πρέπει να τις μεταχειρίζεστε όπως όλες τις χημικές ουσίες. Λαμβάνετε προληπτικά μέτρα κατά τον χειρισμό χημικών που έχουν διαρρεύσει από μπαταρίες. Μην καταπίνετε χημικά υγρά μπαταριών και μην αγγίζετε τα μάτια σας με χημικά μπαταριών. Καλέστε τις πρώτες βοήθειες στη χώρα σας, εάν βρίσκεστε στην Ευρώπη, για άμεσες εξειδικευμένες συμβουλές.

ΤΕΧΝΙΚΕΣ ΠΛΗΡΟΦΟΡΙΕΣ

Ανεμιστήρας	Ανεμιστήρας DC 52" - MOTO
Μοντέλα ανεμιστήρα	LD-MOTO-52 / SKU# 210650, 210651, 210652, 210653
Ονομαστική τάση	220-240V~ 50Hz
Ονομαστική ισχύς (μοτέρ)	30W
Ονομαστική ισχύς (λαμπτήρας)	Δ/Υ
Μπαταρία τηλεχειριστηρίου	3V CR2032 (δεν περιλαμβάνονται)
Βάρος	3,7 κιλά
Διαστάσεις πλαφονιέρας	Υ:50mm Διάμ.:146mm

ΠΛΗΡΟΦΟΡΙΕΣ ΓΙΑ ΤΗΝ ΕΓΓΥΗΣΗ

ΣΤΗΝ ΕΥΡΩΠΗ – Αν είστε πελάτης από την Ευρώπη, απευθυνθείτε στο κατάστημα λιανικής απ' όπου αγοράσατε τον ανεμιστήρα, για σέρβις στο πλαίσιο της εγγύησης.

