

**LUCCI**  
**AIRFUSION RIVIERA**  
**DC CEILING FAN**

**Beacon International Ltd**

Hong Kong Head Office: Room 05, 18/F, Kimberland Center, 55 Wing Hong Street, Cheung Sha Wan Kowloon, Hong Kong  
Tel +852 34915904 Fax +852 34915917

China showroom / Office: 11/FI, Guzhen Lighting Building B, Mid Zhongxing Road, Guzhen, Zhongshan, GuangDong, China.  
Tel: +86 760 8986 6388 Fax: +86 760 8986 6380

[info@beaconinternational.com](mailto:info@beaconinternational.com)

[www.beaconinternational.com](http://www.beaconinternational.com)

**Beacon Lighting Europe GmbH**

Campus Fichtenhain 42, 47807 Krefeld, Germany

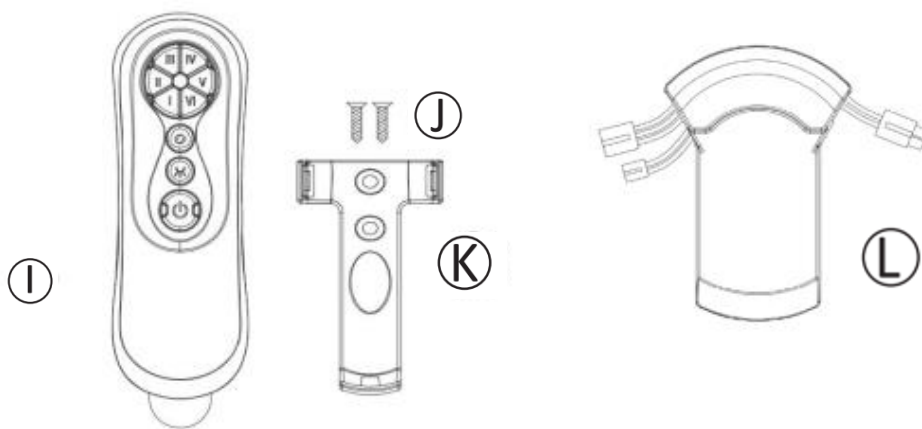
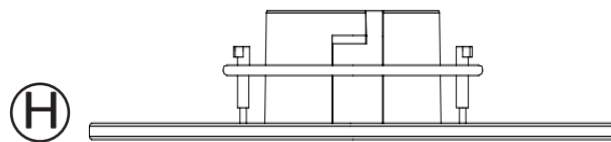
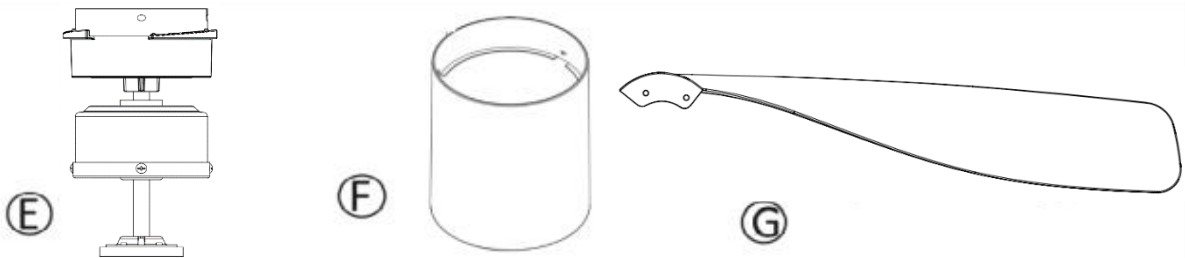
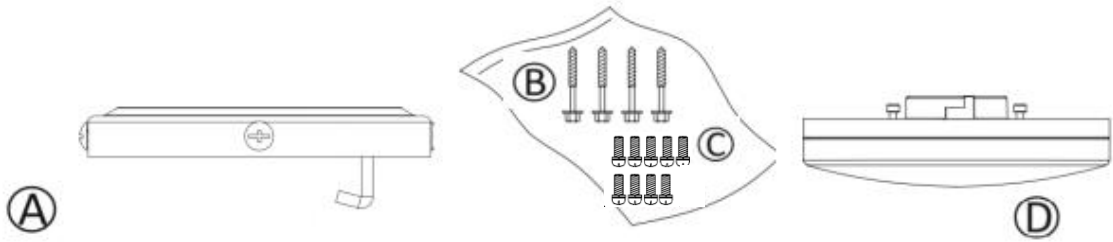
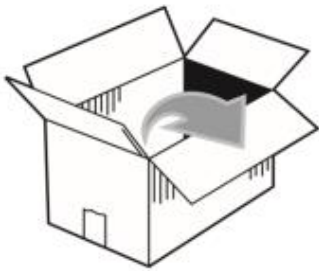
TEL +49 (2151) 325 82 39 FAX +49 (2151) 325 70 65

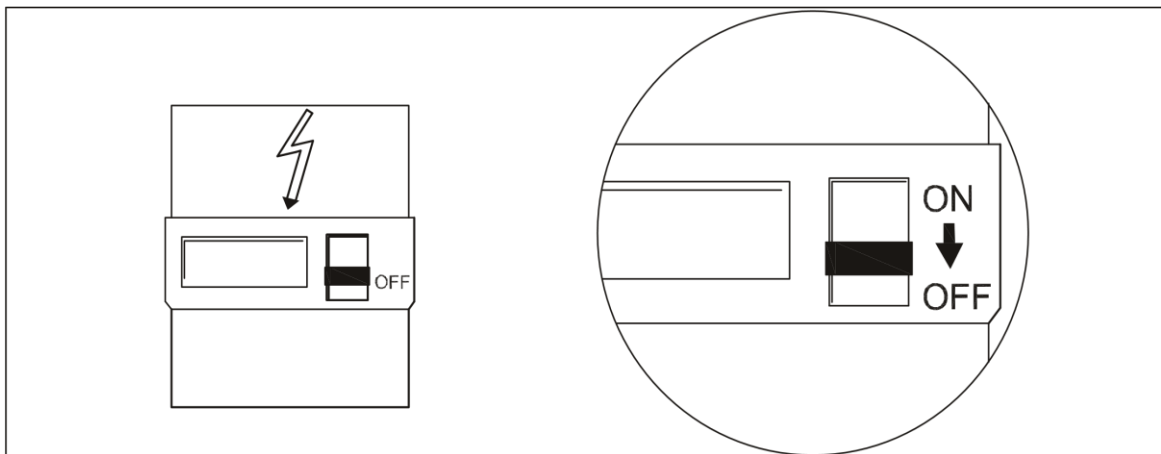
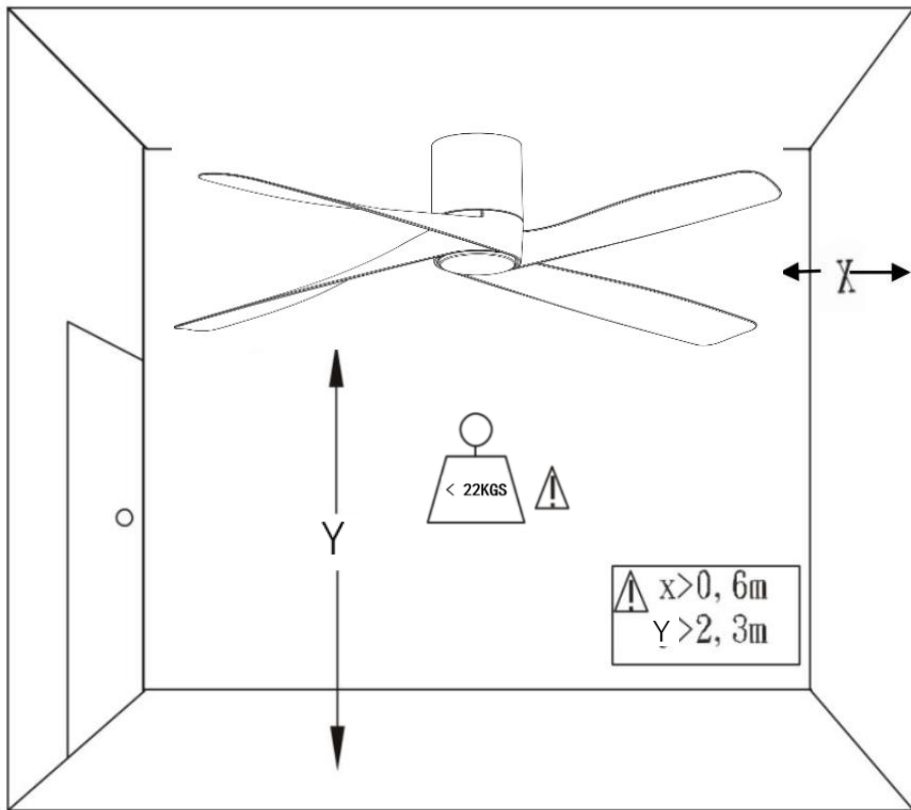
[sales@beaconlighting.eu](mailto:sales@beaconlighting.eu)

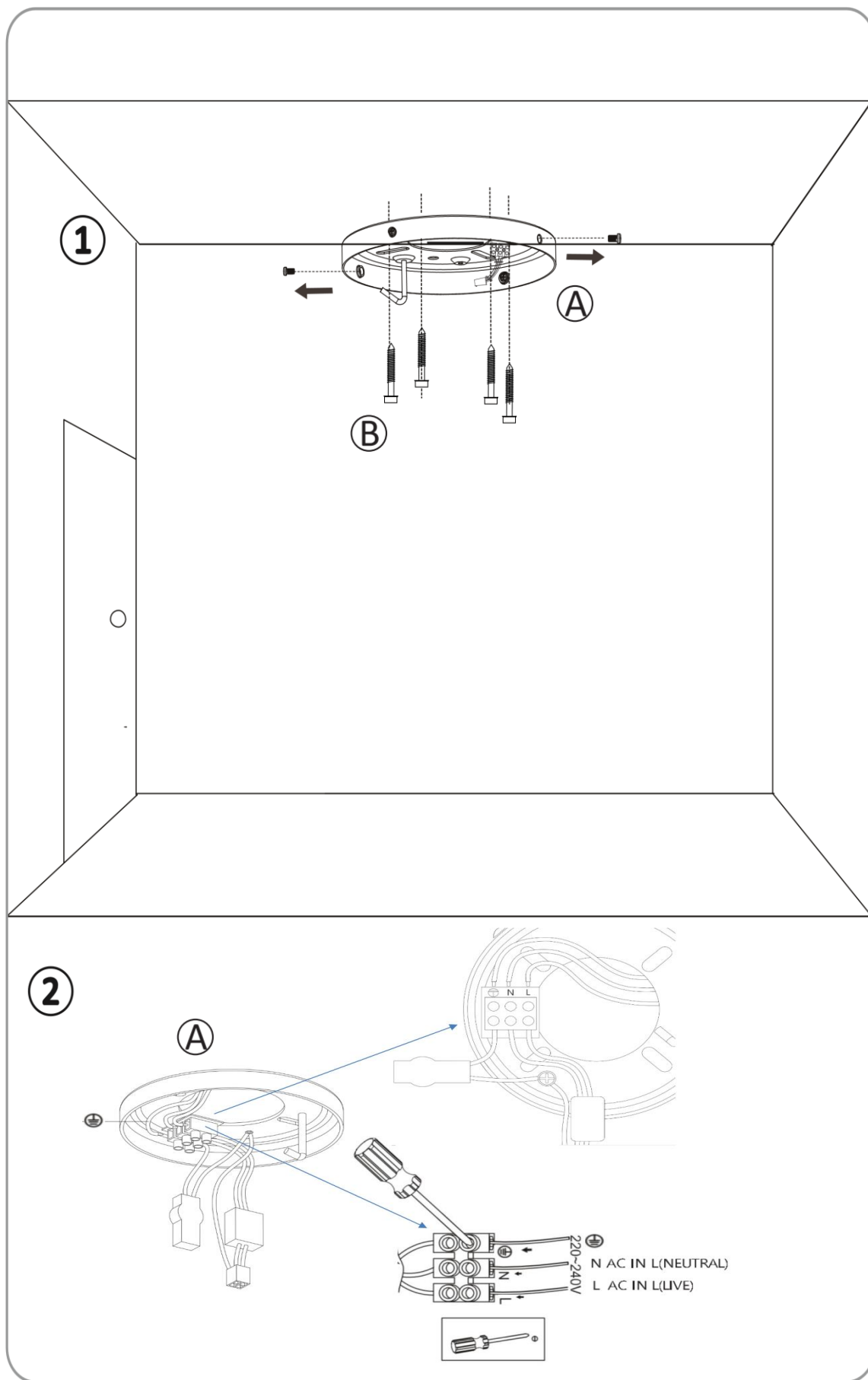
1. **NOTE:** Read instructions carefully for safe installation and fan operation.
2. This appliance can be used by children aged from 8 years and above and persons with reduced physical, sensory or mental capabilities or lack of experience and knowledge if they have been given supervision or instruction concerning the use of the appliance in a safe way and understand the hazards involved. Cleaning and maintenance shall not be undertaken by children without supervision.
3. Children should be supervised to ensure that they do not play with the appliance.
4. An all-pole disconnection switch must be incorporated into the fixed wiring, in accordance with local wiring rules.

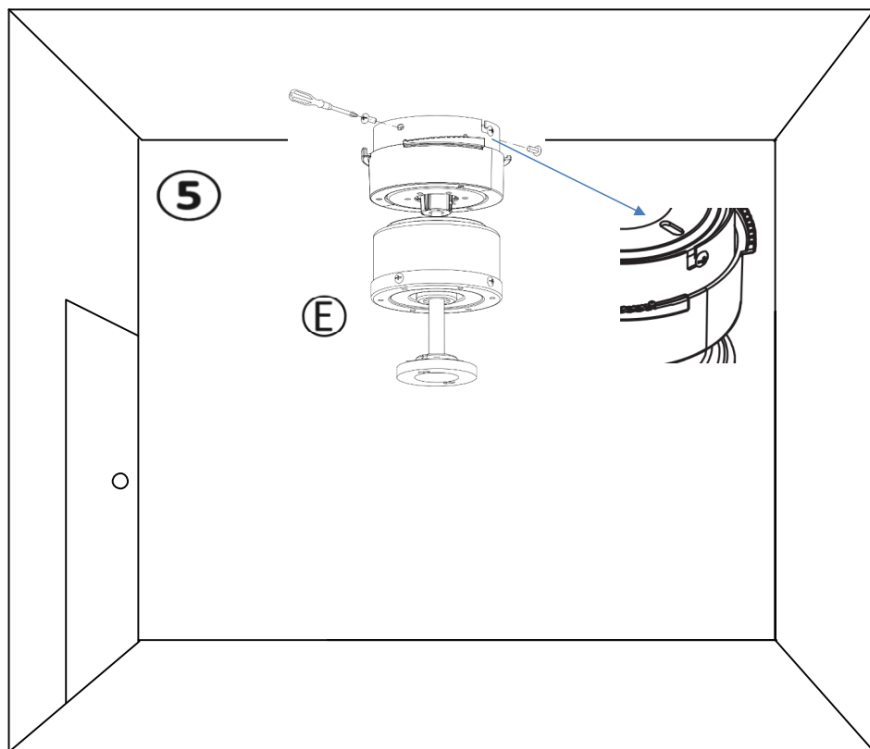
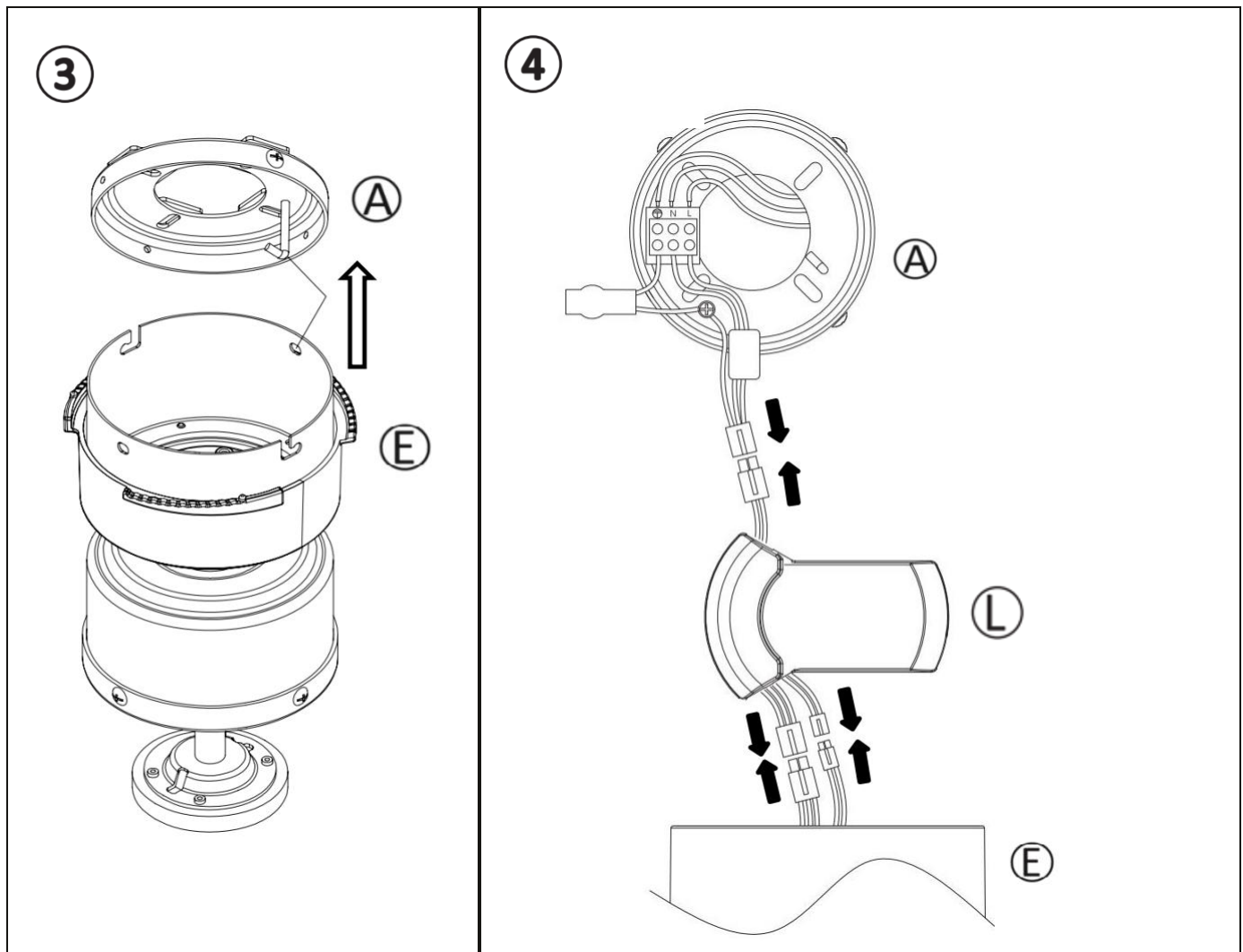


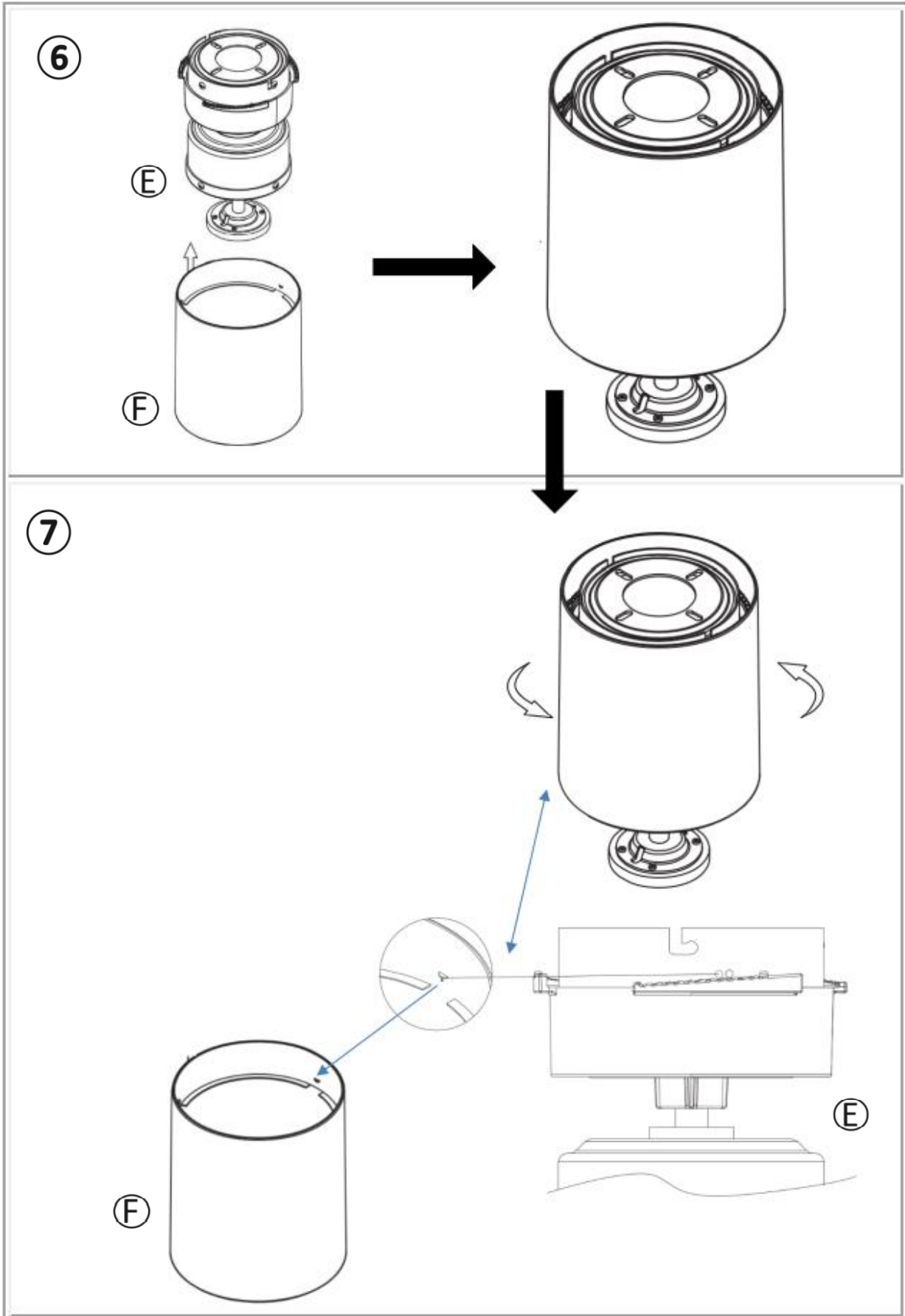
5. **■** Do not dispose of electrical appliances as unsorted municipal waste, use separate collection facilities. Contact your local government for information regarding the collection systems available. If electrical appliances are disposed of in landfills or dumps, hazardous substances can leak into the ground water and get into the food chain, damaging your health and well-being.
  6. The structure to which the fan is to be mounted must be capable of supporting a weight of 22 kg.
  7. The fan should be mounted so that the blades are at least 2.3 m above the floor.
  8. This fan is suitable for indoor, alfresco and coastal areas where the fan is fully undercover with a minimum of 1 wall. This fan is not waterproof. When installed in an alfresco or coastal area, the ceiling fan must be positioned in a location protected from water, wind, dust and salt. Exposure to these elements will void the warranty. Mounting the fan in a situation where it is subject to water or moisture is dangerous and may increase the risk of damage, injury or electrical shock and will void the warranty.
  9. Electrical installation should be performed by a qualified licensed electrician
  10. **WARNING:** If unusual wobbling or oscillating movement is observed, immediately stop using the ceiling fan and contact the manufacturer, its service agent or suitably qualified persons.
  11. The replacement of parts of the safety suspension system device shall be performed by the manufacturer, its service agent or suitably qualified persons.
  12. The fixing means for attachment to the ceiling such as hooks or other devices shall be fixed with a sufficient strength to withstand 4 times the weight of the ceiling fan; that the mounting of the suspension system shall be performed by the manufacturer, its service agent or suitably qualified persons.
  13. DO NOT install the fan on an angled ceiling.
  14. **NOTE:** The bracket screws provided are for use with wooden structures only. For structures other than wood, the appropriate screw type MUST be used. Ensure the screws used are suitable for the mounting surface and the surrounding environment.
  15. **NOTE:** If there are two or more DC ceiling fans installed in the one location, an Isolation switch is required for each ceiling fan, this is required when programming the remote and receiver to pair together.
  16. **NOTE:** Don't run the motor without blades installed!
  17. **NOTE:** Fan installation step 9, if no lamp(D) is required, install the bottom cover(H) on the fan assembly. If lamp(D) is required, install the lamp(D) on the fan assembly.
-



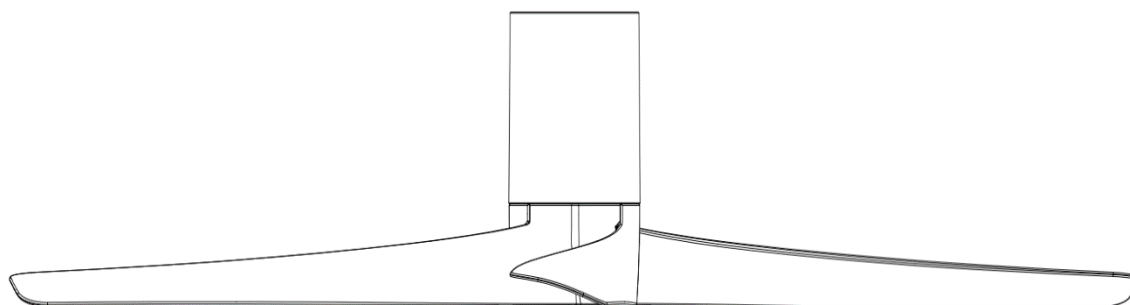
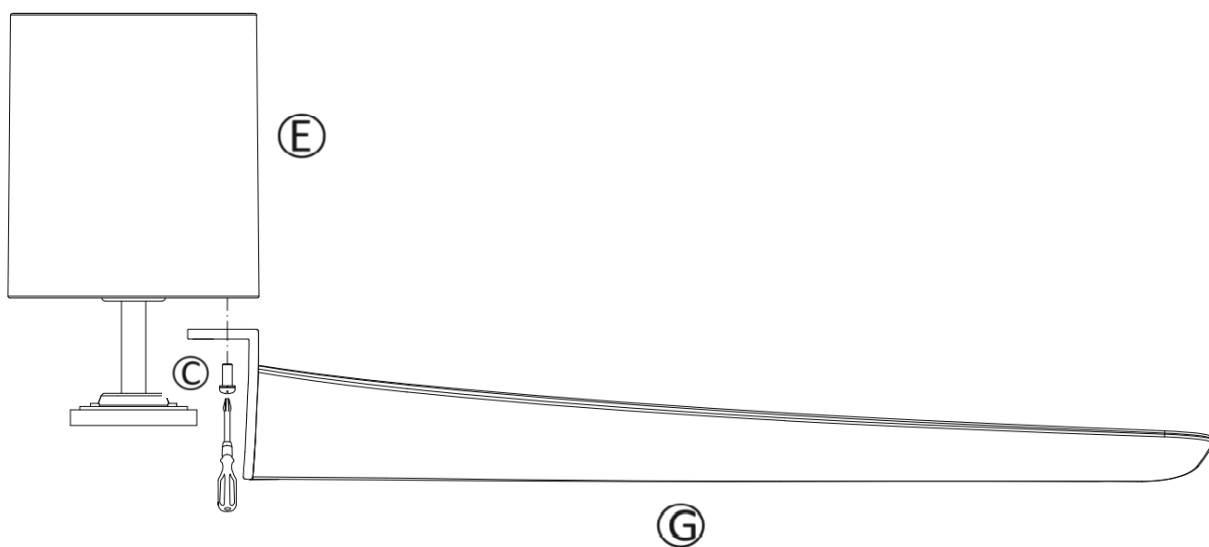




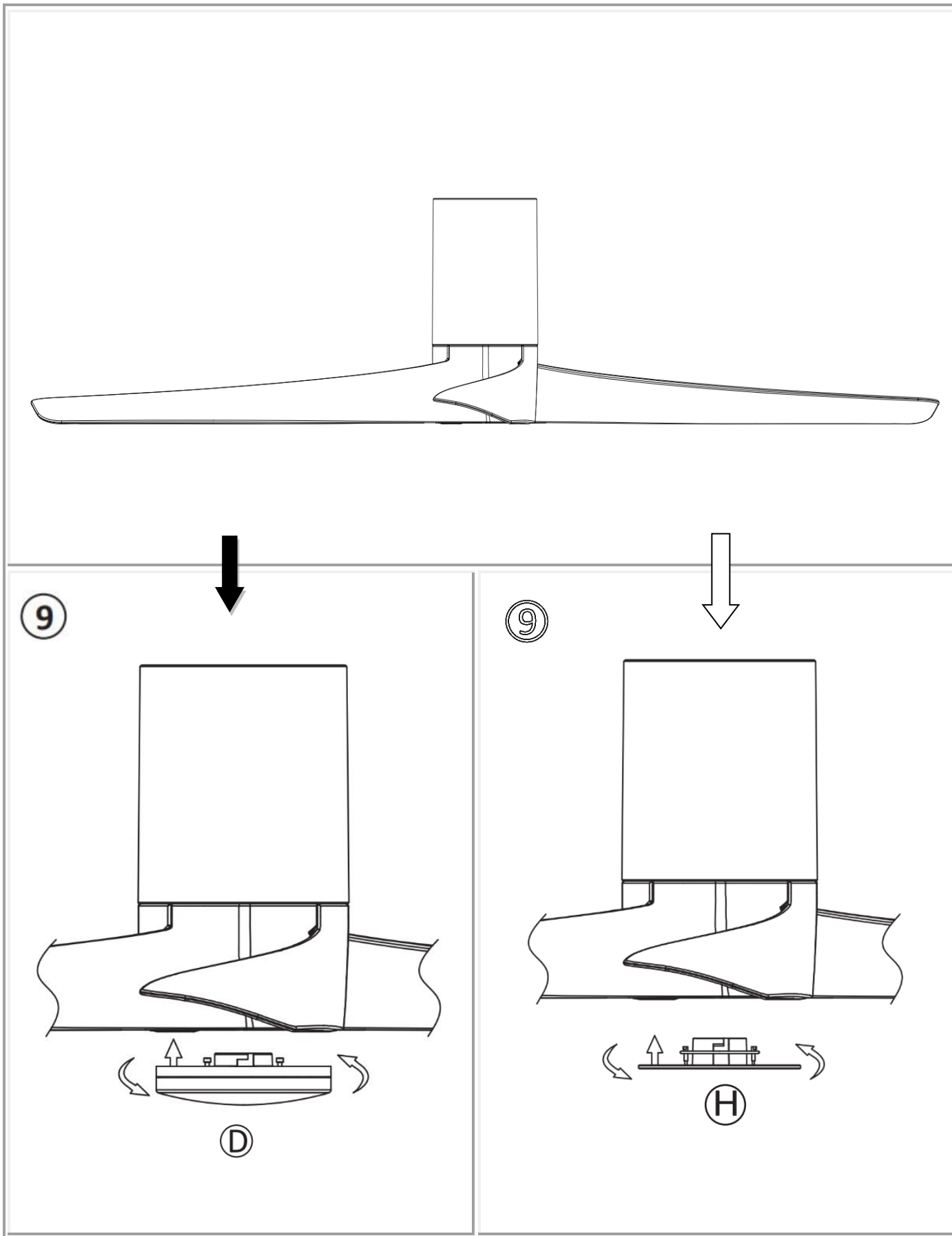


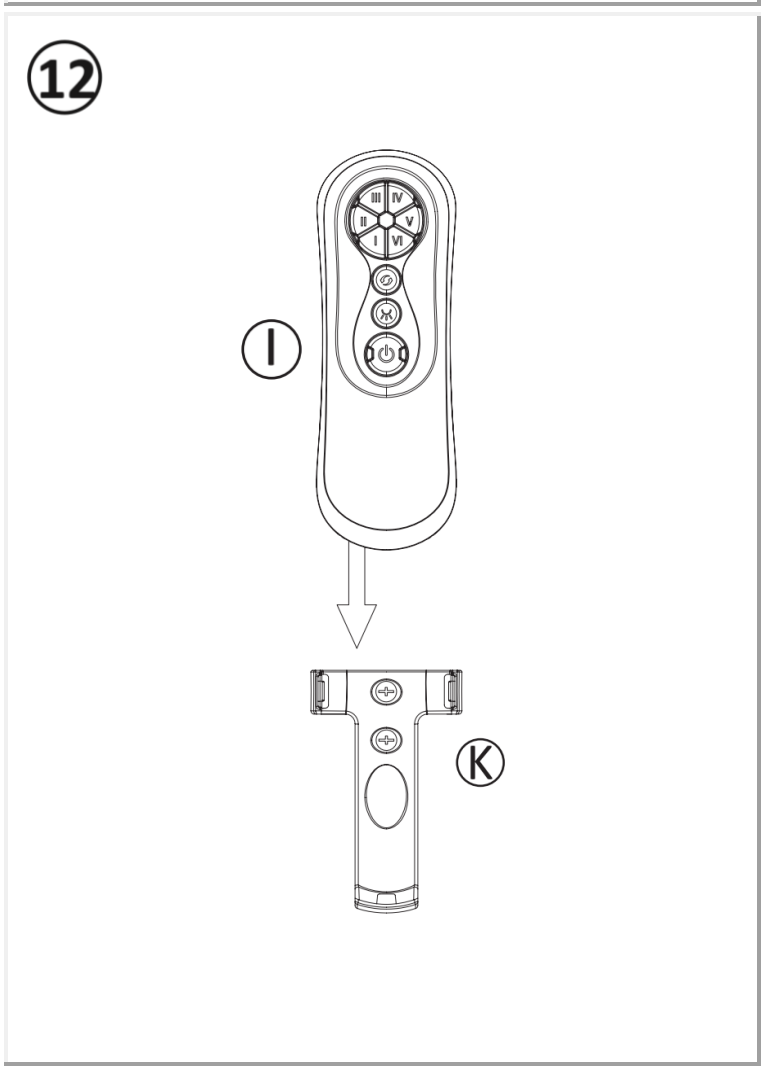
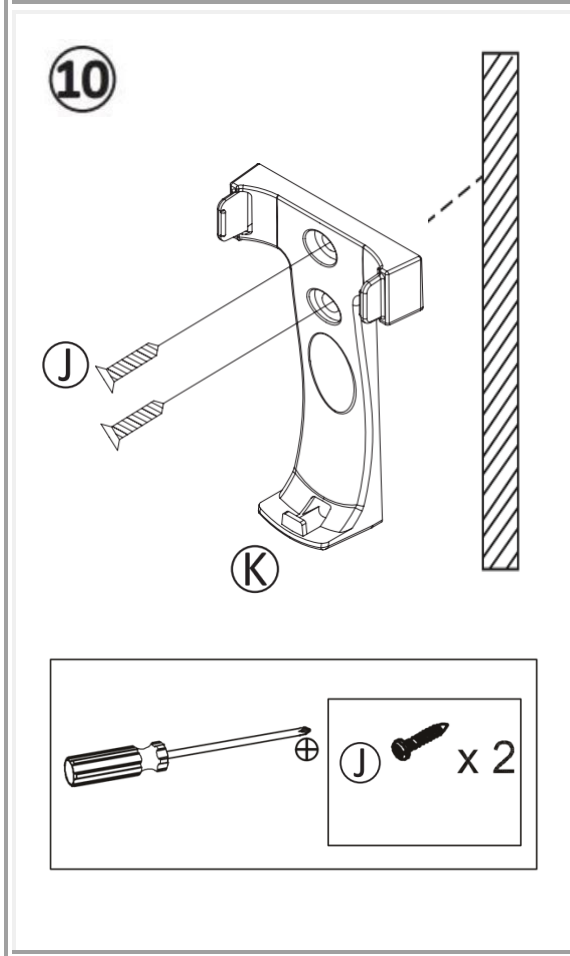
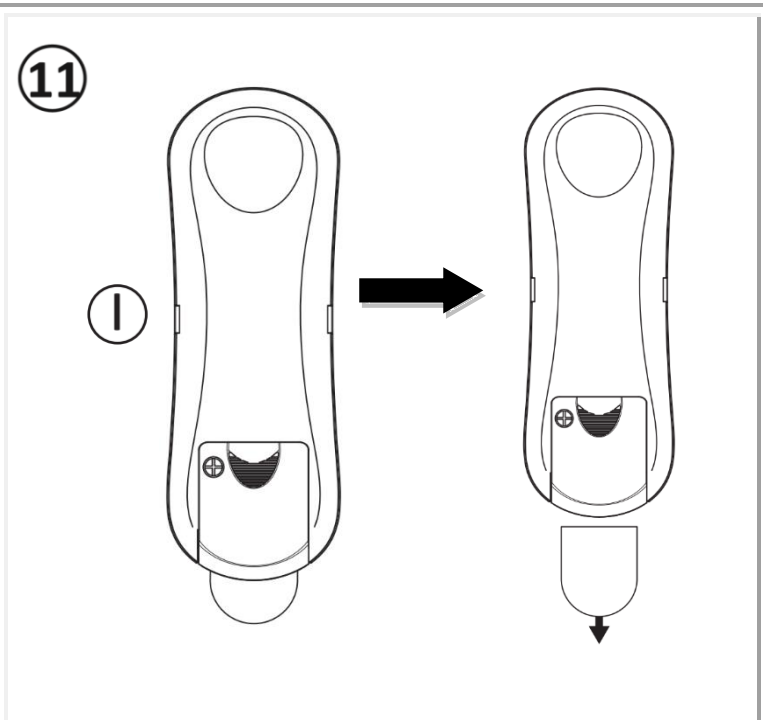
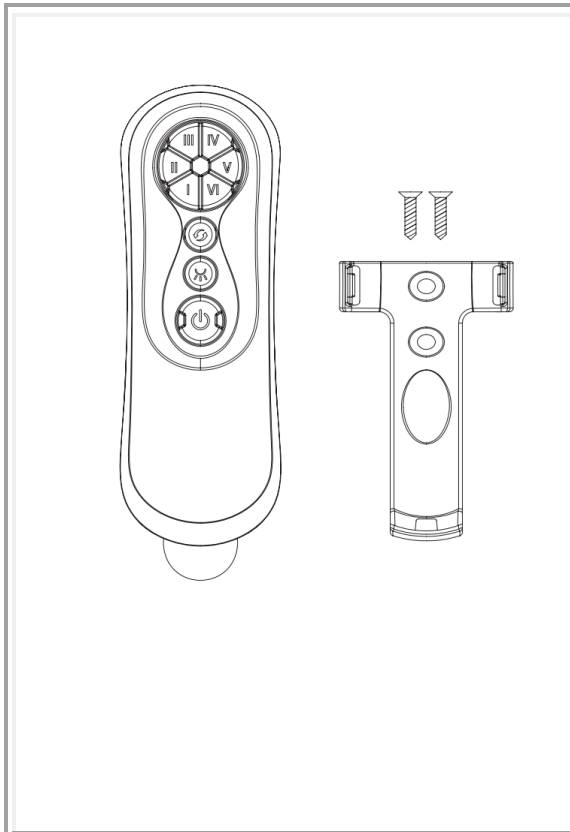


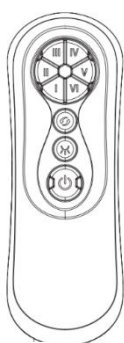
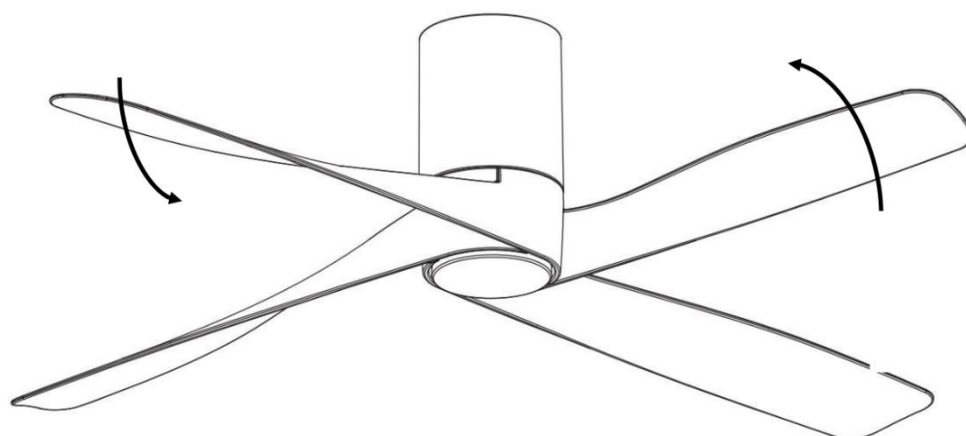
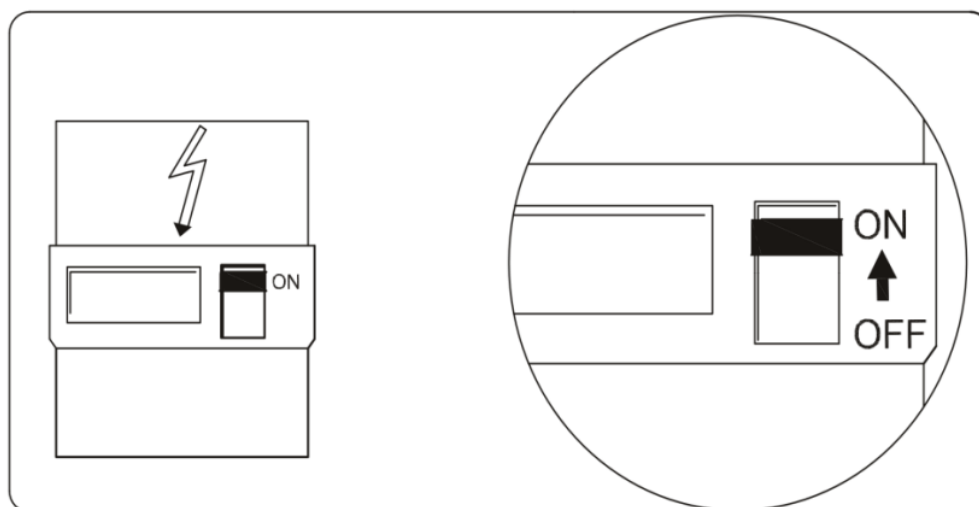
8












**NOTE: The remote and receiver will need to be paired after the installation of the ceiling fan.**

#### **PAIRING REMOTE & RECEIVER – WHEN 1 DC CEILING FAN IS INSTALLED IN ONE LOCATION**

**NOTE:** Ensure that you have installed a single pole disconnection switch in the fixed wiring for the fan.

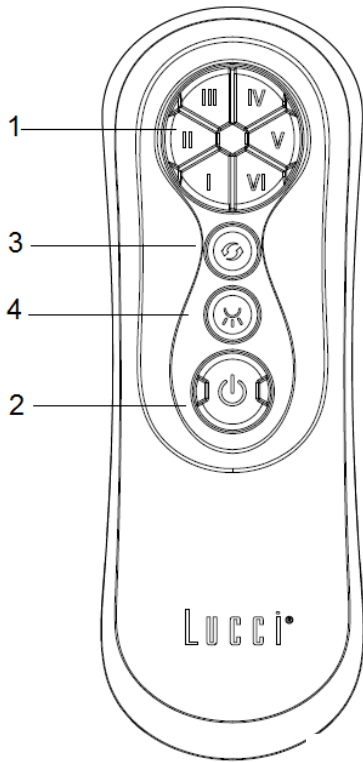
**NOTE:** Ensure power to the receiver is ON prior to pairing the remote with the receiver.

- Turn OFF the mains supply to the fan by on/off wall switch.
- Install the batteries into the remote. Please make sure the polarity of the battery is correct.
- Turn ON the power to the receiver.
- Press and hold the  button on the remote for 3-5 seconds within 30 seconds of switching the power ON to the receiver of the ceiling fan.
- If the fan has light kit attached, the light will flash on and off to indicate the pairing process is activated.
- Turn ON the fan and change the speed of the ceiling fan via the remote to check the operation and successful pairing.
- If pairing has been unsuccessful, repeat these set of steps again.

#### **PAIRING REMOTE AND RECEIVER – WHEN 2 OR MORE DC CEILING FANS ARE INSTALLED IN ONE LOCATION**

**NOTE:** Ensure that you have installed a single pole disconnection switch in the fixed wiring for each fan.

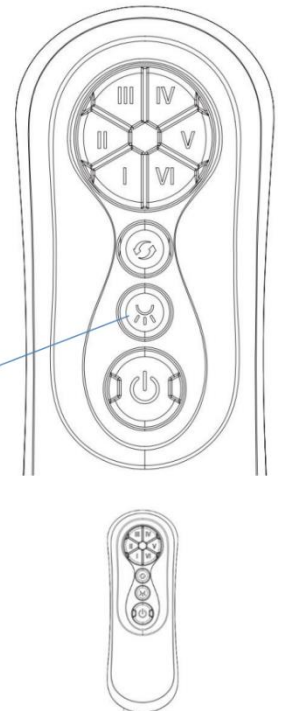
- If you want to control 2 or more ceiling fans with one remote, do as explained in the normal pairing process, but make sure all ceiling fans wall switches are turned ON.
  - If you want to control them with individual remotes, do as explained in the normal pairing process, but make sure the other ceiling fans wall switches are turned OFF. After the first fan is paired turn the wall switch OFF and continue the normal pairing process with the next fan.
-



- (1) Speed control  
There are 6 available speeds. "I" button is for the lowest speed, and "VI" button is for the fastest speed.  
**NOTE:** when you turn on the fan for the first time or switch the main power to the controller, you need to start the fan on high "VI" speed first and then choose a lower speed. A 5-10 seconds is required to allow the DC fan to respond to the remote each speed or fan direction selections.
- (2) Fan On/Off
- (3) Reverse control
- (4) Light On/Off



3 Step Dim  
15% -50%-100%



**REPAIRING THE REMOTE & RECEIVER PAIRING – WHEN 1 CEILING FAN IS INSTALLED**

- If the remote and receiver lose control after installation or during use, the pairing of the remote and the receiver must be repaired.
- Below are the operating symptoms and the steps to repair the pairing of the remote and receiver.

**Symptoms:**

- Loss of control - Fan is only running at high speed after installation
- Loss of control - No reverse function after installation
- Loss of control - Remote cannot communicate with the receiver

**Repairing Steps:**

- Switch OFF the main power to the ceiling fan for 30 seconds.
- Switch ON the main power of the ceiling fan. Follow the same process as described in the 'Pairing remote & receiver' section to repair the pairing.
- Turn on and select the different speed of the ceiling fan to check the operation of the fan.

**AFTER INSTALLATION****WOBBLE:**

NOTE: ceiling fans tend to move during operation due to the fact that they are mounted on a rubber grommet. If the fan was mounted rigidly to the ceiling it would cause excessive vibration. Movement of a few centimetres is quite acceptable and DOES NOT suggest any problem.

**TO REDUCE THE FAN WOBBLE:**

Please check that all screws which fix the mounting bracket.

NOTE: This fan has been precision balanced at the factory and will not need to be balanced again.

**NOISE:**

When it is quiet (especially at night) you may hear occasional small noises. Slight power fluctuations and frequency signals superimposed in the electricity for off-peak hot water control, may cause a change in fan motor noise. This is normal. Please allow a 24-hour "settling-in" period, most noises associated with a new fan disappear during this time.

Please note that this is not a product fault and as such is not covered under warranty – All electric motors are audible to some extent.

**CARE & CLEANING**

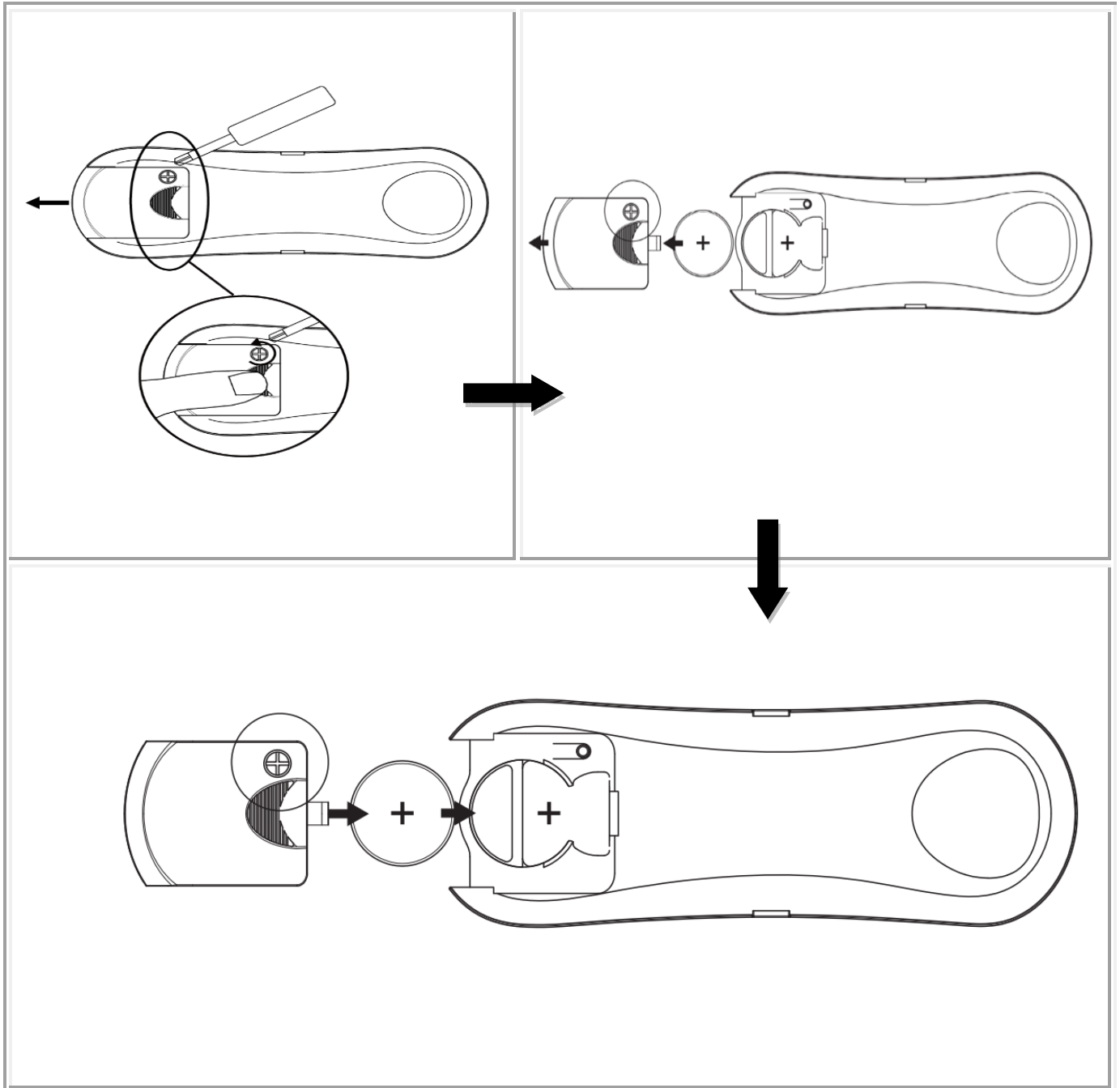
**NOTE: Always turn OFF the power at the mains switch before performing any maintenance or attempting to clean your fan.**

- Every 6 months periodic cleaning of your ceiling fan is the only maintenance required. Use a soft brush or lint free cloth to avoid scratching the paint finish. Please turn off electricity power when you do so.
  - Do not soak or immerse your ceiling fan in the water or other liquids. It could damage the motor or the blades and create the possibility of an electrical shock.
  - Ensure that the fan does not come in contact with any organic solvents or cleaners.
  - To clean the fan blade, wipe with only a damp clean cloth with NO organic solvents or cleaners.
  - The motor has a permanently lubricated ball bearing so there is no need to oil.
-

**Battery replacement for the remote:**

To replace a new battery, Press the top of the battery compartment cover and loosen the screw in the same time further to remove the battery compartment cover.

**Note: Screw does not come apart from the battery compartment cover. Do not force the screw and battery compartment cover apart.**



**SAFETY PRECAUTIONS FOR BATTERY**

- **WARNING** – Keep new and used batteries away from children.
- **CAUTION** – Do not ingest battery—Chemical burn hazard.
- Always use 3V CR2032 DC battery type with this ceiling fan remote controller.
- Ensure the batteries are inserted with the correct polarity.
- To prevent false operation during battery insertion or replacement, this ceiling fan must be disconnected from the supply mains.
- Remove batteries from the product when not in use for long periods of time.
- Batteries must be removed from the remote transmitter before it is discarded.
- Dispose of exhausted batteries immediately and safely (so they cannot be retrieved by children). Batteries can still be dangerous. Contact your local council to safely dispose of the battery.
- Regularly check the product and make sure the battery box lid is correctly secured. If the battery compartment does not close securely, stop using the product and keep it away from children.
- If you think batteries might have been swallowed or placed inside any part of the body, seek immediate medical attention. If you suspect your child has swallowed or inserted a button battery, call the emergency number of your country if you are in Europe for fast, expert advice.
- Battery Leaks: Battery contains chemicals and should be treated as any chemical would. Take precautions when handling leaked battery chemicals. Battery chemicals should not be placed near the eyes or ingested. call the emergency number of your country if you are in Europe for fast, expert advice.

**TECHNICAL INFORMATION**

Fan	52" DC fan - RIVIERA
Fan Models	L0111H-52"-WH , L0111H-52"-BLK , L0111H-52"-KOA / SKU# 213350 , SKU#213351 , SKU# 213352
Rated Voltage	220-240V~ 50Hz
Rated Wattage (Motor)	35W
Lighting source	This product contains a light source of energy efficiency class < F >
Rated wattage (Lamp)	GX53 (SKU#121363 / SKU#121364) , Max.12W (SKU#121363 Included)
Battery for remote	3V CR2032 (Included)
Weight	5.46 kg
Canopy Dimensions	H:70mm Dia:123mm

**WARRANTY INFORMATION**

**IN EUROPE** – If you are a European customer, please contact the retail outlet where the fan was purchased for warranty service.